

LAWN-BOY®

53cm Lawnmower

Model No. 11002—20000001 and Up

Parts Catalog

Ordering Replacement Parts

To order replacement parts, please supply: the part number, the quantity, and the description of each part desired.

Understanding Reference Numbers

Each identified part in an illustration has a reference number. The reference number for a part also appears in the parts list, along with other information about the part.

This catalog uses two special reference number formats, one to indicate parts in a service assembly and another to indicate the quantity of a given part in an illustration.

Service Assembly Reference Numbers

Parts in service assemblies have reference numbers in the form **a:b**. The **a** represents the reference number of the entire service assembly and the **b** represents a sequential number unique to each part within the service assembly.

For example, a wheel assembly might be identified by reference number **6**, the tire by **6:1**, the valve by **6:2**, and the wheel by **6:3**. When you order the assembly identified by reference number **6**, you receive all parts identified by reference numbers **6:1**, **6:2**, and **6:3**. However, you may also order any part individually.

Reference numbers of this type appear in illustrations and in part lists.

Reference Numbers Indicating Quantity

In an illustration, if a reference number indicates more than one part, the reference number has the form **nX y**. The **n** represents the quantity of the part, the **X** is the multiplication symbol, and the **y** represents the reference number.

For example, in an illustration, the reference number **2X 37** means that two of the parts identified by reference number **37** are indicated.

Contents

Description	Page	Description	Page
Housing Assembly	3	Engine Assembly	6
Engine and Blade Assembly	4	Short Block Assembly	8
Handle and Control Assembly	5	Carburetor Assembly	9

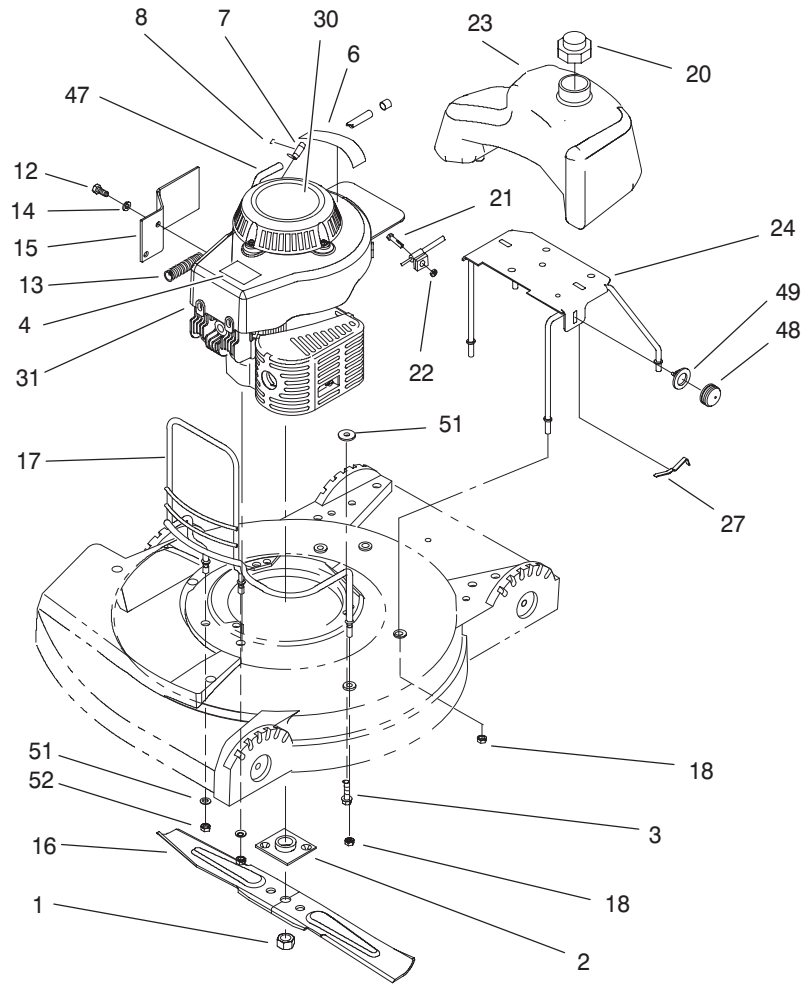
Accessories

Description	Model / Part No.	Description	Model / Part No.
Side Bagging Kit	89814	Mulching Plate	89864
Leaf Bag	89804	Leaf Bag w/Chute	89811
Rear Baging Kit	89800		

Part Description Abbreviations

Part descriptions in this catalog may include the following abbreviations.

Abbreviation	Meaning	Abbreviation	Meaning
AR	as required	INC	incorporated
ASM	assembly	LH	left hand
CARR	carriage	NI	nylon insert
DEG	degrees	PPH	Phillips pan head
FH	flat head	PTH	Phillips truss head
GA	gauge	PTO	power take off
HF	hex flange	RH	right hand
HH	hex head	SFH	slotted fillister head
HHF	hex head flange	SHH	slotted hex head
HLH	hex lag head	SQH	square head
HJ	hex jam	SHWH	slotted hex washer head
HOC	height-of-cut	SPH	slotted pan head
HS	hex socket	SRH	slotted round head
HSBH	hex socket button head	STD	standard
HSFH	hex socket flat head	TAP	self tapping
HSH	hex socket head	TTH	Torx truss head
HWH	hex washer head	WH	wing head
HWHTF	hex washer head thread forming		

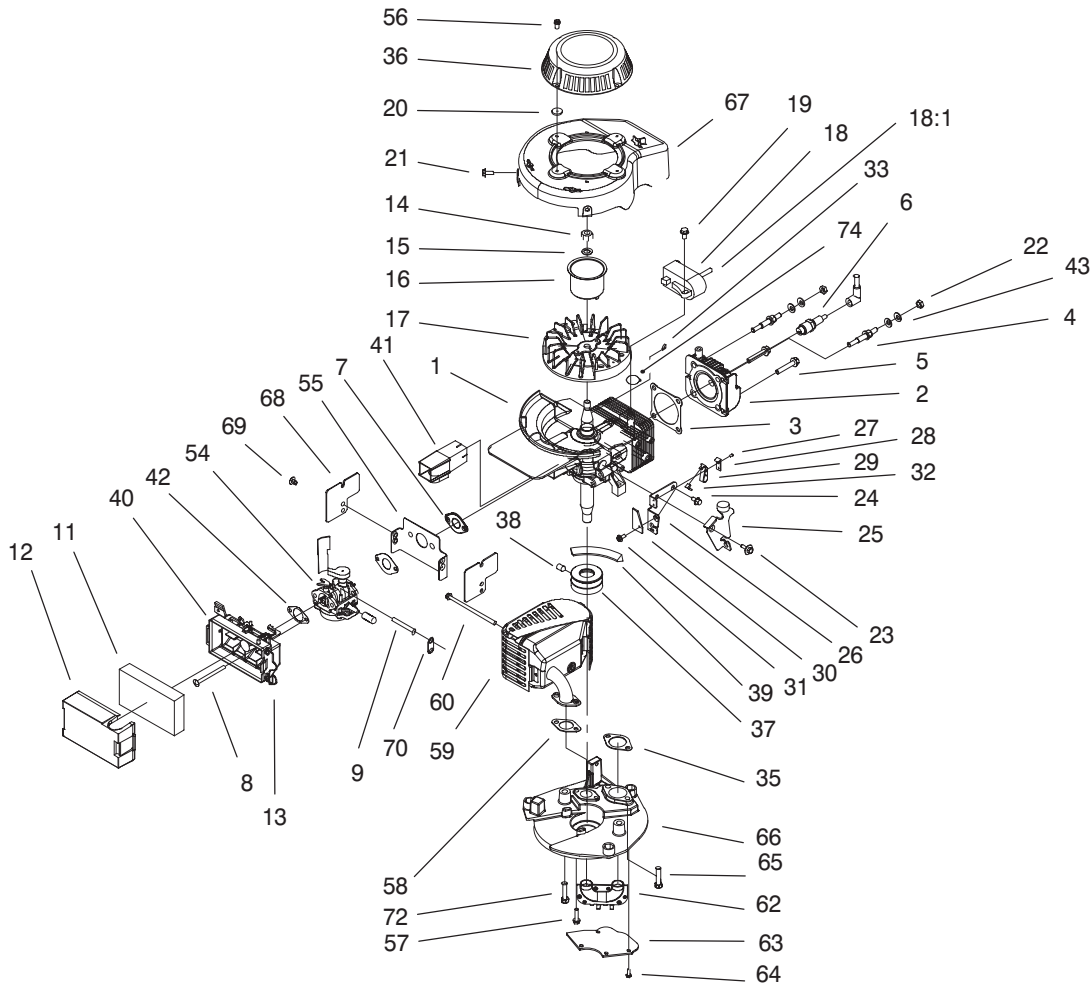


Sheet No.:3

Engine and Blade Assembly

Ref. No.	Part No.	Qty.	Description
1	603164	1	Nut-Blade
2	677525	1	Plate & Collar ASM
3	98-4480	3	Screw-Sems
4	99-1517	1	Decal-Lawn Boy
6	99-1520	1	Decal- Fuel Mix
7	47-2480	1	Stop-Rope
8	3290-443	1	Staple
12	322-3	2	Screw-HH
13	93-4306	1	Spring - Compression
14	3253-4	2	Washer
15	99-1515-03	1	Guard-Brake
16	612543	1	Blade
17	98-1598	1	Guard-Muffler
18	608311	5	Nut-Lock
20	98-8344	1	Cap ASM-Fuel/Oil
21	314576	1	Screw
22	306531	1	Nut-Hex
23	98-4497	1	Tank - Fuel
24	98-4458-03	1	Tank Bracket ASM
27	609830	2	Spring
30	100-6379	1	Decal-Recoil
31	99-2910	1	Engine ASM
47	612782	1	Fuel Line
48	66-7460	1	Bulb-Primer
49	44-2750	1	Body-Primer

Ref. No.	Part No.	Qty.	Description
51	68-5920	5	Washer-Hood Pivot
52	3296-39	2	Nut-Lock, NI



Sheet No.:2

Engine Assembly

Ref. No.	Part No.	Qty.	Description
1	95-7636	1	Short Block ASM
2	94-5776	1	Head-Cylinder
3	94-5778	1	Gasket-Head
4	94-5779	2	Stud
5	94-5780	2	Bolt - Head
6	50-1170	1	Plug-Spark
7	94-5795	2	Gasket-Intake
8	612507	2	Screw
9	44-3170	1	Hose-Primer
11	95-5574	1	Filter-Air
12	95-5577	1	Cover-Air Filter
13	610383	1	Retainer-Filter Cover
14	130743	1	Nut
15	316959	1	Washer-Lock
16	612949	1	Hub-Starter
17	95-1866	1	Flywheel
18	99-2911	1	Module-Ignition
18:1	99-6721	1	Lead-High Tension Clip
*18:2	99-6719	1	Lead-High Tension
19	613208	2	Screw
20	98-4478	4	Spacer
21	700094	2	Screw-HH
22	146501	2	Nut
23	95-1870	1	Screw-Shoulder
24	95-1871	1	Screw-HWH

Ref. No.	Part No.	Qty.	Description
25	93-4312	1	Brake Plate ASM
26	84-7820	1	Plate-Brake
27	3290-459	2	Rivet-Plastic
28	92-2925	1	Strap-Insulation
29	60-9010	1	Strap-Ground
30	100-2929	1	Stop-Ground Strap
31	12-5450	1	Screw
32	98-7037	1	Lead Wire-Brake Switch
33	607199	1	Key
35	95-1778	1	Gasket-Exhaust
36	684566	1	Starter ASM
*36:1	612950	1	Pulley
*36:2	613773	1	Rope
*36:3	683897	1	Spring-Recoil
*36:4	684567	1	Starter Housing & Shaft
*36:5	683899	1	Dog Kit
40	95-5588	1	Air Base ASM
41	95-5578	1	Tunnel-Inlet
42	95-7613	1	Gasket-Filter
43	3290-456	4	Washer-Belleville
54	98-7042	1	Carburetor ASM With Gaskets
55	98-7015	1	Shield - Carburetor
56	98-4484	4	Screw

* Not illustrated

LAWN-BOY®