



CCR™ 2450 GTS®

CCR™ 3650 GTS®

Snowthrower

Model No. 38428—200000001 and Up

Model No. 38429—200000001 and Up

Model No. 38441—200000001 and Up

Model No. 38442—200000001 and Up

Operator's Manual



Contents

	Page
Introduction	2
Safety	3
General Snowthrower Safety	3
Toro Snowthrower Safety	4
Sound Pressure Level	5
Sound Power Level	5
Vibration Level	5
Symbol Glossary	6
Assembly	9
Loose Parts	9
Installing the Wheels	10
Installing the Discharge Chute	10
Installing the Chute Crank	11
Installing the Handle	11
Installing the Control Cable	12
Before Starting	13
Mixing Gasoline and Oil	13
Operation	14
Operating Controls	14
Starting the Engine	14
Stopping the Engine	15
Starting the Rotor Blades	15
Stopping the Rotor Blades	15
Adjusting the Discharge Chute	15
Throwing Snow	15
Maintenance	16
Recommended Maintenance Schedule	16
Adjusting the Control Cable	16
Emptying the Fuel Tank	17
Replacing the Scraper	17
Replacing the Drive Belt	18
Replacing the Spark Plug	18
Replacing the Rotor Blades	19
Storage	20
Preparing the Fuel System	20
Preparing the Engine	21
Tightening the Fasteners and Cleaning the Snowthrower	21
Covering and Storing the Snowthrower	21

Introduction

Thank you for choosing a Toro product. We want you to be completely satisfied with your new purchase.

Read this manual carefully to learn how to operate and maintain your product properly. The information in this manual can help you and others avoid injury and product damage. Although Toro designs and produces safe products, you are responsible for operating the product properly and safely.

Whenever you contact your Authorized Service Dealer or the factory for help with service, genuine Toro parts, or additional information, have the model number and the serial number of your product handy. You will find the model number and serial number decal on the product as illustrated in Figure 1.

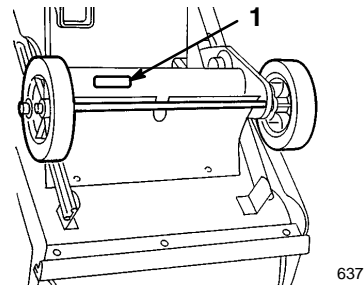


Figure 1

1. Model number and serial number decal

Write the product model number and serial number in the space below:

<p>Model No. _____</p> <p>Serial No. _____</p>
--

Note: At the time of manufacture, the snowthrower conformed with or exceeded all applicable safety standards in effect for snowthrowers.

This manual identifies potential hazards and has special safety messages that help you and others avoid personal injury and even death. DANGER, WARNING, and CAUTION are words used to identify the level of hazard.


DANGER signals an extreme hazard that will cause serious injury or death if you do not follow the recommended precautions.

WARNING signals a hazard that may cause serious injury or death if you do not follow the recommended precautions.

CAUTION signals a hazard that may cause minor or moderate injury if you do not follow the recommended precautions.

This manual uses two other words to highlight information. **Important** calls attention to special mechanical information and **Note** emphasizes general information worthy of special attention.

Safety

To ensure maximum safety, best performance, and to gain knowledge of the product, it is essential that you and any other operator of the snowthrower read and understand the contents of this manual before the motor is ever started. Pay particular attention to the safety alert symbol  which means CAUTION, WARNING, OR DANGER — “personal safety instruction.” Read and understand the instruction because it has to do with safety. Failure to comply with instruction may result in personal injury.

The snowthrower is designed and tested to offer reasonably safe service; however, **failure to comply with the following instructions may result in personal injury.**

General Snowthrower Safety

The following instructions have been adapted from the ANSI/OPEI standard B71.3—1995 and ISO standard 8437:1989. Information or terminology specific to Toro snowthrowers is enclosed in parenthesis.

Training

- Read the operator’s manual carefully. Be thoroughly familiar with the controls and the proper use of the equipment. Know how to stop the unit and disengage the controls quickly.
- Never allow children to operate the equipment. Never allow adults to operate the equipment without proper instruction.
- Keep the area of operation clear of all persons, particularly small children and pets.
- Exercise caution to avoid slipping or falling, especially when operating in reverse.

Preparation

- Thoroughly inspect the area where the equipment is to be used and remove all doormats, sleds, boards, wires, and other foreign objects.
- Disengage all clutches and shift into neutral before starting the engine.

- Do not operate the equipment without wearing adequate winter garments. Wear footwear which will improve footing on slippery surfaces.
- Handle fuel with care; it is highly flammable.
 - Use an approved fuel container.
 - Never add fuel to a running or hot engine.
 - Fill fuel tank outdoors with extreme care. Never fill fuel tank indoors.
 - Replace gasoline caps securely and wipe up spilled fuel.
- Use only the power cord supplied with the snowthrower and a receptacle appropriate for use with the cord for electric starting motors.
- Adjust the collector (auger) housing height to clear gravel or crushed rock surface (this is not necessary on single-stage snowthrowers).
- Never attempt to make any adjustments while the engine is running, except where specifically recommended by manufacturer (Toro).
- Let engine and machine adjust to outdoor temperatures before starting to clear snow.
- The operation of any powered machine can result in foreign objects being thrown into the eyes. Always wear safety glasses or eye shields during operation or while performing an adjustment or repair.

Operation

- Do not put hands or feet near or under rotating parts. Keep clear of the discharge opening at all times.
- Exercise extreme caution when operating on or crossing gravel drives, walks, or roads. Stay alert for hidden hazards or traffic.
- After striking a foreign object, stop the engine, remove the wire from the spark plug, thoroughly inspect the snowthrower for any damage, and repair the damage before restarting and operating the snowthrower.
- If the unit should start to vibrate abnormally, stop the engine and check immediately for the cause. Vibration is generally a warning of trouble.
- Stop the engine whenever you leave the operating position, before unclogging the collector (auger)/impeller housing or discharge guide (chute), and when making any repairs, adjustments, or inspections.
- When cleaning, repairing, or inspecting, make certain the collector (auger/rotor blades)/impeller and all moving parts have stopped. Disconnect the spark-plug

wire, and keep the wire away from the plug to prevent accidental starting. Disconnect the cable on electric motors.

- Do not run the engine indoors, except when starting it and for moving the snowthrower in or out of the building. Open the outside doors; exhaust fumes are dangerous.
- Do not clear snow across the face of slopes. Exercise extreme caution when changing direction on slopes. Do not attempt to clear steep slopes.
- Never operate the snowthrower without proper guards, plates or other safety protective devices in place.
- Never operate the snowthrower near glass enclosures, automobiles, window wells, drop-offs, etc. without proper adjustment of the snow discharge angle. Keep children and pets away.
- Do not overload the machine capacity by attempting to clear snow at too fast a rate.
- Never operate the machine at high transport speeds on slippery surfaces. Look behind and use care when moving in reverse.
- Never direct discharge at bystanders or allow anyone in front of the unit.
- Disengage power to the collector (auger/rotor blades)/impeller when snowthrower is transported or not in use.
- Use only attachments and accessories approved by the manufacturer of snowthrower (Toro), such as wheel weights, counterweights, cabs, etc. (Refer to your Authorized Service Dealer for accessories available for your snowthrower.)
- Never operate the snowthrower without good visibility or light. Always be sure of your footing, and keep a firm hold on the handles. Walk; never run.

Maintenance and storage

- Check all fasteners at frequent intervals for proper tightness to be sure the equipment is in safe working condition.
- Never store the machine with fuel in the fuel tank inside a building where ignition sources are present such as hot water and space heaters, clothes dryers, etc. Allow the engine to cool before storing in any enclosure.
- Always refer to this operator's manual for important details if the snowthrower is to be stored for an extended period.
- Maintain or replace safety and instruction labels, as necessary.

- Run the machine a few minutes after throwing snow to prevent freeze-up of the collector (auger)/impeller. (With the engine running, pull the recoil starter handle several times.)

Toro Snowthrower Safety

The following list contains safety information specific to Toro products or other safety information that you must know that is not included in the ANSI or ISO standards.

- **The rotating impeller or auger can cut off or injure fingers or hands.** Stay behind the handles and away from the discharge opening while operating the snowthrower. **Keep your face, hands, feet, and any other part of your body or clothing away from concealed, moving, or rotating parts.**
- Before adjusting, cleaning, repairing, and inspecting the snowthrower, and before unclogging the discharge chute, **stop the engine, remove the key, and wait for all moving parts to stop.** Also, pull the wire off of the spark plug and keep it away from the plug to prevent accidental starting.
- Use a stick, **not your hands** to remove obstructions from the discharge chute.
- **Before** leaving the operator's position behind the handles, stop the engine, remove the key, and wait for all moving parts to stop.
- Do not wear loose fitting clothing that could possibly get caught in moving parts.
- If a shield, safety device, or decal is damaged, illegible, or lost, repair or replace it before beginning operation. Also, tighten any loose fasteners.
- **Do not** smoke while handling gasoline.
- For two-stage snowthrowers, use the lower gear and, if applicable, the rear wheel position when operating on slopes.
- **Do not** use the snowthrower on a roof.
- Do not touch the engine while it is running or soon after it is stopped because the engine will be hot enough to cause a burn. Do not add oil or check the oil level in the crankcase when the engine is running.
- Perform only those maintenance instructions described in this manual. Before performing any maintenance, service, or adjustment, stop the engine, remove the key and pull the wire from the spark plug, keeping it away from the plug to prevent accidental starting. If major repairs are ever needed, contact your Authorized Toro Service Dealer.
- Do not over speed the engine by changing the governor settings.

- When storing the snowthrower for more than 30 days, drain the gasoline from the fuel tank to prevent a potential hazard. Store gasoline in a safety approved, red metal container. Remove the key from the ignition switch before storing the snowthrower.
- To ensure the best performance and safety, purchase only genuine Toro replacement parts and accessories to keep the Toro all Toro. **Do not use “Will Fit” replacement parts and accessories as they could cause a safety hazard.**

Sound Pressure Level

Models 38428 and 39429 have a sound pressure at the operator’s ear of 90 dB(A) and models 38441 and 38442 have a sound pressure at the operator’s ear of 91 dB(A), based on measurements of identical machines per Directive 81/1051/EEC.

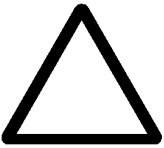
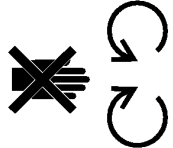

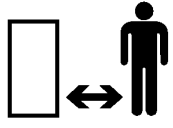

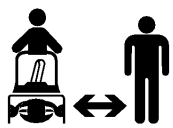

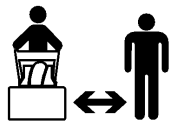
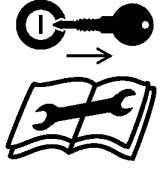
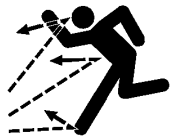
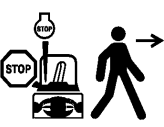




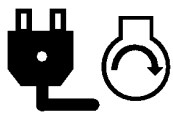
Sound Power Level

Models 38428 and 39429 have a sound power level of 103 LwA and models 38441 and 38442 have a sound power level of 105 LwA, based on measurements of identical machines per Directive 79/113/EEC.

Vibration Level

Models 38428 and 39429 have a maximum hand-arm vibration level of 28.5 m/s² and 38441 and 38442 have a maximum hand-arm vibration level of 30 m/s², based on measurements of identical machines per EN 1033.

Symbol Glossary

<p>Safety alert triangle – symbol within triangle indicates a hazard</p>		<p>Do not open or remove safety shields while engine is running</p>	
<p>Safety alert symbol</p>		<p>Stay a safe distance from the machine</p>	
<p>Read operator's manual</p>		<p>Stay a safe distance from the machine – single stage snowthrower</p>	
<p>Consult technical manual for proper service procedures</p>		<p>Stay a safe distance from the machine – two stage snowthrower</p>	
<p>Shut off engine and remove key before performing maintenance or repair work</p>		<p>Thrown or flying objects – Whole body exposure</p>	
<p>Shut off engine and remove key before leaving operator position – single stage snowthrower</p>		<p>Electrical shock – electrocution</p>	
<p>Shut off engine and remove key before leaving operator position – two stage snowthrower</p>		<p>Cutting or entanglement of foot – rotating auger</p>	
<p>Severing of fingers or hand – impeller blade</p>		<p>Electric start</p>	

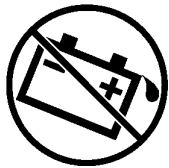
Hot surfaces – burns to fingers or hands



Caustic liquids – chemical burns to fingers or hands



Do not tip battery



Keep dry



Machine travel direction – forward



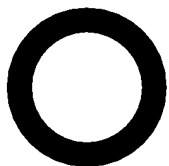
Machine travel direction – rearward



On/start



Off/stop



Machine loss of control – uphill slope



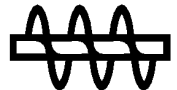
Machine loss of control – downhill slope



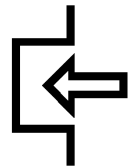
Traction drive



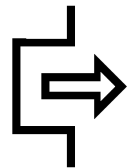
Snowthrower collector auger



Engage



Disengage



Choke

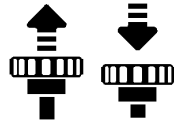


Engine speed (Throttle)



Fast		Neutral	
Slow		Snowthrower collector auger/impeller	
Decreasing/Increasing		Lock	
Engine start		Unlock	
Engine stop		Lever operation	
Snowthrower chute direction		Lever operation	
Primer (start aid)		Unleaded fuel	
Primer operation		Cutting of fingers or hand	

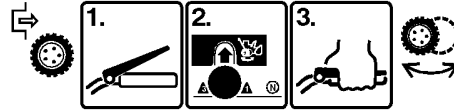
Throttle operation



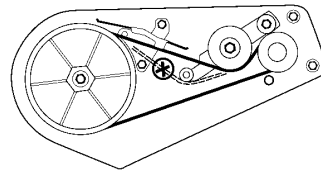
Cutting of foot



PowerShift operation



Belt routing



Assembly

Note: Determine the left and right sides of the snowthrower by standing in the normal operating position.

Loose Parts

DESCRIPTION	QTY.	USE
Short spacer	1	Installing the wheels
Long spacer	1	
Pushnuts	2	
Wheels	2	
Carriage bolts	3	Installing the discharge chute
Locknuts	3	
Discharge chute	1	
Chute handle (Models 38428 and 38429 only)	1	
Plastic bushing	1	Installing the chute crank (Models 38441 and 38442 only)
Capscrews	2	
Locknuts	2	
Chute crank and mounting bracket	1	

DESCRIPTION	QTY.	USE
Knobs	2	Installing the handle
Curved washers	2	
Cable guide	1	
Handle locks	2	
Control bar	1	
Upper handle	1	
Spring	1	Installing the control cable
Spring cover	1	
Cable adjuster	1	
Control cable	1	

Installing the Wheels

1. Turn the snowthrower onto its left side and place a wood block under the left axle end (Fig. 3).
2. Slide the **short** spacer and a wheel onto the right axle end (Fig. 3).

The side of the wheel with six spokes must face downward.

3. Slide a pushnut onto the end of the axle (Fig. 3).

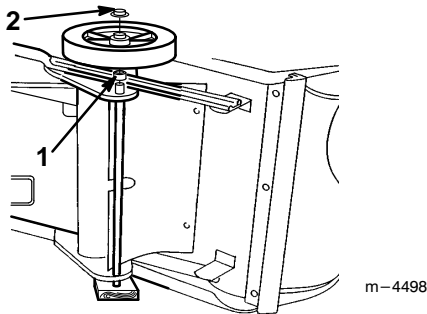


Figure 2

1. Short spacer
2. Pushnut

4. Using a hammer, strike the pushnut to seat it **firmly** in place.
5. Turn the snowthrower over onto its right side and place a wood block under the right axle end.

6. Slide the **long** spacer and a wheel onto the left axle end.

The side of the wheel with six spokes must face downward.

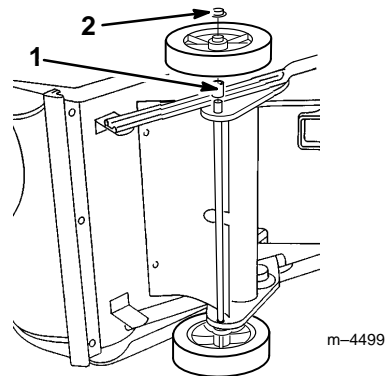


Figure 3

1. Long spacer
2. Pushnut

7. Repeat steps 3 and 4.

Installing the Discharge Chute

Models 38428 and 38429 only

1. Place the chute handle over the chute ring (Fig. 4).
2. Insert the discharge chute between the chute ring and the chute handle. (Fig. 4).

- Align the hole in the back of the chute with the center hole in the ring.

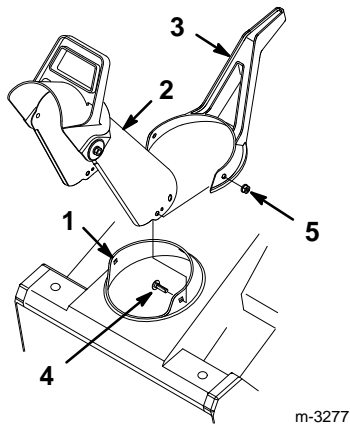


Figure 4

- | | |
|--------------------|------------------|
| 1. Chute ring | 4. Carriage bolt |
| 2. Discharge chute | 5. Locknut |
| 3. Chute handle | |

Note: You can rotate the chute ring for easier assembly.

- Install a carriage bolt and a locknut through the center holes, with the locknut on the outside.
- Install carriage bolts and locknuts through the remaining holes, with the locknuts on the outside.
- Tighten all locknuts **securely**.

Models 38441 and 38442 only

- Set the discharge chute over the chute ring (Fig. 5).
- Align the hole in the back of the chute with the center hole in the ring (Fig. 5)
- Install a carriage bolt and a locknut through the center holes, with the locknut on the outside (Fig. 5)

Note: You can rotate the chute ring for easier assembly.

- Install carriage bolts and locknuts through the remaining holes, with the locknuts on the outside.
- Tighten all locknuts **securely**.

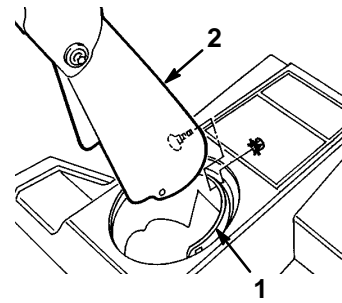


Figure 5

- | | |
|---------------|--------------------|
| 1. Chute ring | 2. Discharge chute |
|---------------|--------------------|

Installing the Chute Crank

Models 38441 and 38442 only

- Insert the flattened end of the chute crank through the hole in the shroud while aligning the mounting bracket with the holes in the lower handle (Fig. 6).
- Slowly rotate the crank until the flattened end fits into the hidden gear opening and the chute ring turns with the crank (Fig. 6).
- Fully insert the plastic bushing into the hole in the mounting bracket (Fig. 6).
- Secure the mounting bracket to the handle with two capscrews and locknuts (Fig. 6).

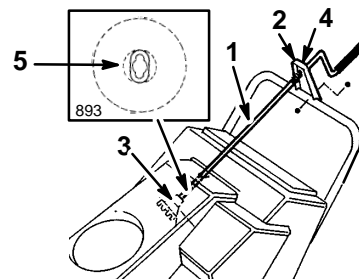


Figure 6

- | | |
|---------------------|------------------------|
| 1. Chute crank | 4. Plastic bushing |
| 2. Mounting bracket | 5. Hidden gear opening |
| 3. Gear | |

Installing the Handle

- Cut the tie that secures the control cable to the lower handle.
- Install the control bar on the upper handle as shown in Figure 7 (models 38428 and 38429) or Figure 8 (models 38441 and 38442).

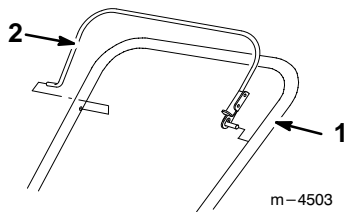


Figure 7

1. Upper handle 2. Control bar

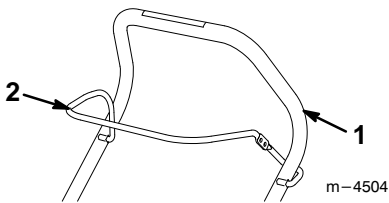


Figure 8

1. Upper handle 2. Control bar

3. Install the upper handle as illustrated in Figure 9.

IMPORTANT: You must route the control cable through the cable guide before you tighten the handle lock (Fig. 10).

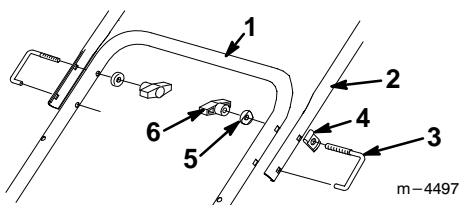


Figure 9

1. Lower handle 4. Cable guide
 2. Upper handle 5. Curved washer
 3. Handle lock 6. Knob

Installing the Control Cable

Models 38428 and 38429 only

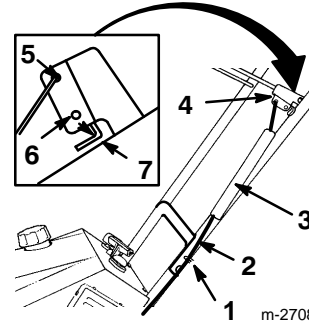


Figure 10

1. Cable guide 5. Top hole
 2. Control cable 6. Bottom hole
 3. Spring cover 7. 1/16 to 1/8 in. (0.16 to 0.32 cm) gap
 4. Control bar bracket

- Hook the spring to the round hole at the end of the cable adjuster (Fig. 11).
- Secure the end of the cable to the cable adjuster as illustrated in Figure 11.

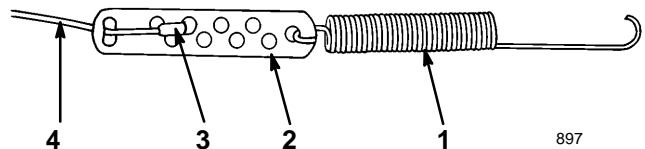


Figure 11

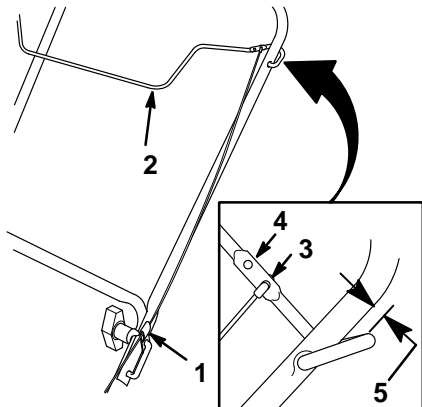
1. Spring 3. Z fitting
 2. Cable adjuster 4. Cable

- Slide the spring cover over the spring and the cable adjuster and push the spring end through the hole at the end of the spring cover (Fig. 10).
- Hook the spring into the top hole of the control bar bracket (Fig. 10).
- Move the control bar back toward the handle to remove the slack in the cable.
- Ensure that a 1/16 to 1/8 inch (0.16 to 0.32 cm) gap exists between the control bar and the handle (Refer to the inset in Fig. 10). To adjust this gap, refer to *Adjusting the Control Bar* on page 16.

IMPORTANT: The control cable must contain slack when it is in the disengaged position.

Models 38441 and 38442 only

1. Hook the upper end of the control cable in the bottom hole in the control bar bracket (Refer to the inset in Fig. 12).
2. Move the control bar back toward the handle to remove the slack in the cable.
3. Ensure that a 1/16 to 1/8 in. (0.16 to 0.32 cm) gap exists between the control bar and the handle (Refer to the inset in Fig. 10). To adjust this gap, refer to *Adjusting the Control Bar* on page 16.



m-4017/4012

Figure 12

- | | |
|------------------------|-------------------------------|
| 1. Cable guide | 4. Top hole |
| 2. Control bar bracket | 5. 1/16 to 1/8 in. (0.16) gap |
| 3. Bottom hole | |

IMPORTANT: The control cable must contain slack when it is in the disengaged position.

Before Starting

Mixing Gasoline and Oil

Use only clean, fresh, lead-free gasoline (including oxygenated or reformulated gasoline) with an octane rating of 87 or higher. To ensure freshness, purchase only the amount of gasoline you expect to use in 30 days. Using unleaded gasoline results in fewer combustion chamber deposits and longer spark plug life.

IMPORTANT: Do not use methanol, gasoline containing methanol, gasohol containing more than 10% ethanol, premium gasoline, or white gas. Using these fuels can damage the engine's fuel system.

IMPORTANT: Do not use automotive oil (i.e. SAE 30, 10W30 etc.), a two-cycle oil that is not NMMA- or TCW-certified, or a fuel mixed at the wrong gasoline/oil ratio. This can cause engine damage not covered under the Toro warranty.



DANGER



POTENTIAL HAZARD

- In certain conditions gasoline is extremely flammable and highly explosive.

WHAT CAN HAPPEN

- A fire or explosion from gasoline can burn you, others, and cause property damage.

HOW TO AVOID THE HAZARD

- Use a funnel and fill the fuel tank outdoors, in an open area, when the engine is cold. Wipe up any gasoline that spills.
- Do not fill the fuel tank completely full. Add gasoline to the fuel tank until the level is 1/4" to 1/2" (6 mm to 13 mm) below the bottom of the filler neck. This empty space in the tank allows gasoline to expand.
- Never smoke when handling gasoline, and stay away from an open flame or where gasoline fumes may be ignited by a spark.
- Store gasoline in an approved container and keep it out of the reach of children.
- Never buy more than a 30-day supply of gasoline.



DANGER



POTENTIAL HAZARD

- When fueling, under certain circumstances, a static charge can develop, igniting the gasoline.

WHAT CAN HAPPEN

- A fire or explosion from gasoline can burn you and others and cause property damage.

HOW TO AVOID THE HAZARD

- Always place gasoline containers on the ground away from your vehicle before filling.
- Do not fill gasoline containers inside a vehicle or on a truck or trailer bed because interior carpets or plastic truck bed liners may insulate the container and slow the loss of any static charge.
- When practical, remove gas-powered equipment from the truck or trailer and refuel the equipment with its wheels on the ground.
- If this is not possible, then refuel such equipment on a truck or trailer from a portable container, rather than from a gasoline dispenser nozzle.
- If a gasoline dispenser nozzle must be used, keep the nozzle in contact with the rim of the fuel tank or container opening at all times until fueling is complete.

1. Pour a half gallon (1.9 liters) of gasoline into an approved gasoline container (preferably plastic, not metal).

Note: Do not mix gasoline and oil in the fuel tank. Oil at room temperature mixes easier and more thoroughly than cold oil. Oil below 32°F (0°C) requires additional mixing.

2. Add the proper amount of a high grade, NMMA- or TCW-certified two-cycle oil.

For best results, use *Toro Heavy Duty 50:1 All Season 2-Cycle Engine Oil with Fuel Stabilizer*.

3. Install the cap on the gasoline container and shake the container to mix the gasoline and oil thoroughly.
4. Remove the cap and add the remaining gasoline.

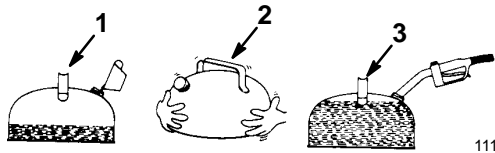


Figure 13

1. Add oil to small amount of gasoline
2. Install cap and shake can to mix
3. Add remaining amount of gasoline

We recommend using a stabilizer/conditioner for all Toro gasoline-powered products during operation and storage. A fuel stabilizer/conditioner cleans the engine during operation and prevents gum-like varnish deposits from forming in the engine during storage. A fuel stabilizer/conditioner works best when you mix it with fresh gasoline.

Note: If you use *Toro Heavy Duty 50:1 All Season 2-Cycle Engine Oil with Fuel Stabilizer*, you do not need to add a fuel stabilizer/conditioner.

IMPORTANT: Do not use fuel additives except a fuel stabilizer during storage. Do not use fuel stabilizers with an alcohol base such as ethanol, methanol, or isopropanol.

Operation

Operating Controls

The snowthrower control panel contains a key switch, a primer, a recoil starter, and an electric start button. The choke is just below the control panel (Fig. 14).

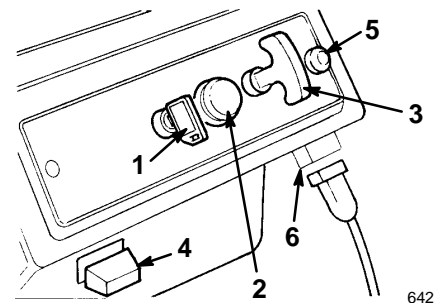


Figure 14

1. Key switch
2. Primer
3. Recoil start
4. Choke
5. Elec. start button (electric start models only)
6. Cord connection (electric start models only)

Starting the Engine

1. Turn the key to the On position and pull the choke out.
2. Cover the hole in the center of the primer with your thumb and push the primer in twice. In extremely cold temperatures, repeat this step as necessary.

Note: Do not use the choke and the primer when starting a warm engine.

3. **For a recoil starter:** Hold the snowthrower with one hand and pull the recoil starter vigorously with the other hand.

For an electric starter:

- A. Connect the power cord to the snowthrower and to a standard household power outlet.

⚠
CAUTION
⚠

POTENTIAL HAZARD

- If the snowthrower is left plugged in to a power outlet, it can be inadvertently started.

WHAT CAN HAPPEN

- Someone could become injured or property damage could occur.

HOW TO AVOID THE HAZARD

- Unplug the cord whenever the snowthrower is not in use.

- B. Push the starter button.

Run the electric starter no more than 10 times at intervals of 5 seconds on, then 5 seconds off. If the engine does not start after this attempt, wait at least 40 minutes to allow the starter to cool before attempting to start it again.

IMPORTANT: Running the electric starter extensively can overheat and damage the starter.

If the engine does not start after the second attempt, bring the snowthrower to an Authorized Service Dealer for service.

- C. When the engine starts, disconnect the power cord from the snowthrower and the outlet.
4. With the engine running, push in the choke slowly.

Stopping the Engine

Turn the key to the Off position, and wait for all moving parts to stop before leaving the operating position.

Starting the Rotor Blades

To start the rotor blades, squeeze the control bar and handle together.

Stopping the Rotor Blades

Release the control bar to stop the rotor blades.

Note: When you release the control bar, the rotor blades stop, but the engine continues to run.

Adjusting the Discharge Chute

Models 38428 and 38429 only

Move the chute handle left and right to adjust the direction of the snow stream (Fig. 15). The chute deflector handle on top of the discharge chute controls the height of the snow stream. **Do not overtighten the chute deflector mounting locknuts.**

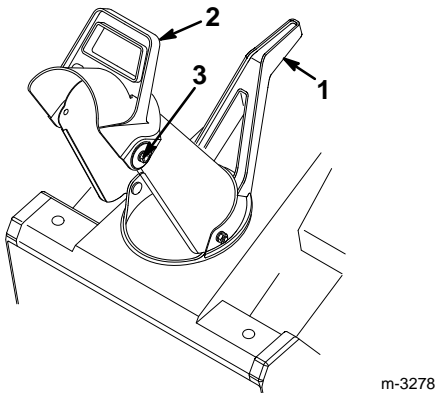


Figure 15

1. Chute handle
2. Chute deflector handle
3. Deflector mounting locknuts

IMPORTANT: Do not use the chute handle to lift the snowthrower. This can damage the chute handle.

Models 38441 and 38442 only

Rotate the chute crank clockwise to move the discharge chute to the right or counterclockwise to move the chute to the left (Fig. 16). The chute deflector handle on top of the discharge chute controls the height of the snow stream. **Do not overtighten the chute deflector mounting locknuts.**

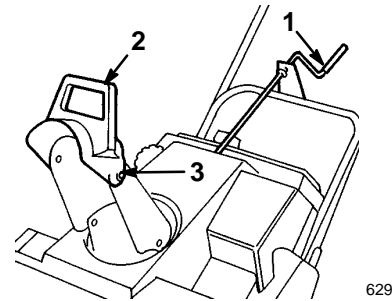


Figure 16

1. Chute crank
2. Chute deflector handle
3. Deflector mounting locknuts

Throwing Snow



WARNING



POTENTIAL HAZARD

- Stones, toys and other foreign objects may be picked up and thrown by the rotor blades.

WHAT CAN HAPPEN

- Thrown objects can cause serious personal injury to operator or bystanders.

HOW TO AVOID THE HAZARD

- Keep the area to be cleared free of all objects that could be picked up and thrown by rotor blades.
- Keep all children and pets away from area of operation.

- The snowthrower clears down to the ground and propels itself forward when you raise the handle. The snowthrower tilts **slightly** forward so that rotor blades strike the ground. The wheels do not need to touch the ground to self-propel. The more you tilt the handle forward, the faster the snowthrower self-propels.
- Always overlap each swath and discharge the snow downwind whenever possible.

- To clear snow from crushed rock or gravel, push down on the handle to raise the rotor blades clear of the loose material and push the snowthrower forward.
- In snowy and cold conditions, some controls and moving parts may freeze solid. **Do not use excessive force when trying to operate frozen controls.** If you have difficulty operating any control or part, start the engine and let it run for a few minutes.
- After clearing the snow, let the engine run for a few minutes to prevent moving parts from freezing. While the engine runs, pull the recoil starter two or three times to prevent it from freezing. Shut off the engine and remove all ice and snow from the snowthrower. **On models 38441 and 38442:** Operate the chute crank several times to remove any ice and snow.

Maintenance

Recommended Maintenance Schedule

Service Item	Service Operation	Initial	At Storage	Comments
Control cable	Check the control cable. Adjust if necessary.	X	X	Check and adjust as needed.
Fuel tank	Drain the fuel and run the engine until the fuel tank and the carburetor are dry.		X	
Scraper	Check the scraper. Replace if necessary.		X	
Drive belt	Inspect the drive belt. Replace if necessary.		X	
Spark plug	Clean, inspect, and gap. Replace if necessary.		X	
Rotor blades	Inspect the rotor blades. Replace if necessary.		X	
Tighten fasteners	Check for loose fasteners and tighten them if necessary.	X	X	Tighten fasteners as needed.

CAUTION

POTENTIAL HAZARD

- If you leave the wire on the spark plug, someone could start the engine.

WHAT CAN HAPPEN

- Accidental starting of engine could seriously injure you or other bystanders.

HOW TO AVOID THE HAZARD

- Pull the wire off of the spark plug before you do any maintenance. Also, push it aside so it does not accidentally contact the spark plug.

Adjusting the Control Cable

Periodically check the control cable for proper adjustment.

1. Stop the engine.
2. Move the control bar back toward the handle to remove the slack in the cable (Fig. 10 or Fig. 12).

3. Ensure that a 1/16 to 1/8 in. (0.16 to 0.32 cm) gap exists between the control bar and the handle (Refer to the inset in Fig. 10). To adjust the cable, go to step 4.

Note: The control cable must have slack in the disengaged position.

4. Adjust the cable as follows:

Models 38428 and 38429 only:

- A. Unhook the spring end from the top hole in the control bar bracket (Fig. 10).

- B. Slide the spring cover off the spring and the cable adjuster.
- C. Unhook the Z fitting from the cable adjuster and reposition the Z fitting in a higher or lower hole on the adjuster to obtain a proper gap of 1/16 to 1/8 in. (0.16 to 0.32 cm) between the control bar bracket and the handle (Fig. 11).
- D. Install the spring cover over the cable adjuster and the spring.
- E. Hook the spring into the top hole of the control bar bracket (Fig. 10).

Models 38441 and 38442 only:

- A. Unhook the upper cable end from the hole in the control bar bracket (Fig. 10).
- B. Slide the spring cover up the cable to expose the cable adjuster (Fig. 10).
- C. Unhook the Z fitting from the cable adjuster and position it in a higher or lower hole on adjuster to obtain a gap of 1/16 to 1/8 in. (0.16 to 0.32 cm) between the control bar bracket and the handle (Fig. 11).
- D. Install the spring cover over the cable adjuster.
- E. Install the upper cable end into the rear hole in the control bar bracket (Fig. 12).

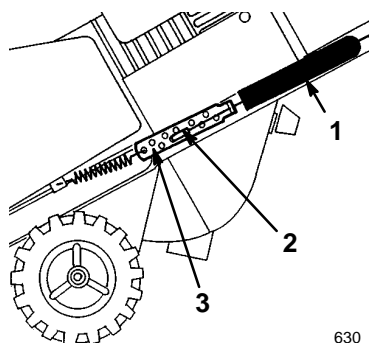


Figure 17

- 1. Spring cover
- 2. Z fitting
- 3. Cable adjuster

5. Check the adjustment (refer to steps 2 and 3 above).

After extended use, the drive belt may wear and lose its proper belt tension. Improper belt tension causes belt slippage and decreases the performance under a heavy load. Belt slippage may occur after two or three seasons of normal usage (10 to 15 hours). If the drive belt slips (continuously squeals) under a heavy load, increase the belt tension by doing one of the following steps:

- **For Models 38428 and 38429:** Reposition the spring end in the bottom hole of the control bar bracket (Fig. 10).

- **For Models 38441 and 38442:** Reposition the upper cable end into the upper hole of the control bar bracket (Fig. 12).

Using the incorrect adjusting hole in the control bar bracket unnecessarily can reduce the drive belt life. Occasional belt slippage (squealing) may occur in extremely wet conditions due to moisture in the drive system. To remove moisture, start the rotor and operate it without a load for 30 seconds. Once you remove the moisture, the drive belt should not slip.

Emptying the Fuel Tank

1. Stop the engine and remove the key from the switch.
2. Remove the fuel tank cap and use a pump-type syphon to drain the fuel into a clean gasoline container.
3. Start the engine and allow it to run until it consumes all the fuel in the fuel tank and stops running. Repeat this step two more times to remove all the fuel in the fuel tank and the carburetor.

Replacing the Scraper

Before each season, inspect the scraper for wear. If the thickness of the scraper's bottom is less than 1/16 in. (0.16 cm), replace the scraper (Fig. 18).

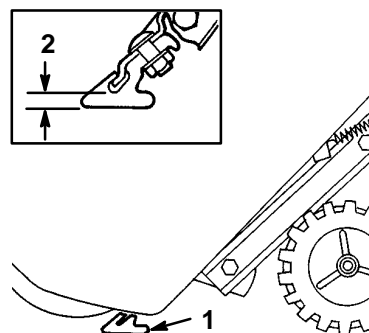


Figure 18

- 1. Scraper
- 2. 1/16 in. (0.16 cm)

Note: The running time and the roughness of the driveway or sidewalk determines the scraper wear rate.

1. Stop the engine.
2. Drain the fuel from the fuel tank. Refer to *Emptying the Fuel Tank* on page 17.
3. Tip the snowthrower forward onto its front housing.
4. Remove three carriage bolts and the locknuts holding scraper in place (Fig. 19).
5. Remove the scraper by sliding it to the right and down.

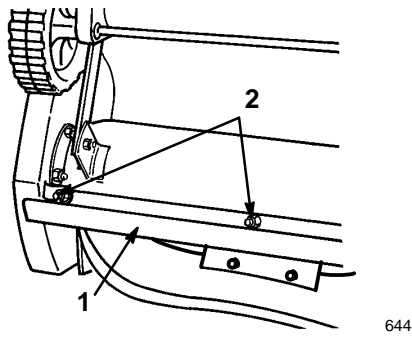


Figure 19

1. Scraper
2. Carriage bolts and locknuts (3)

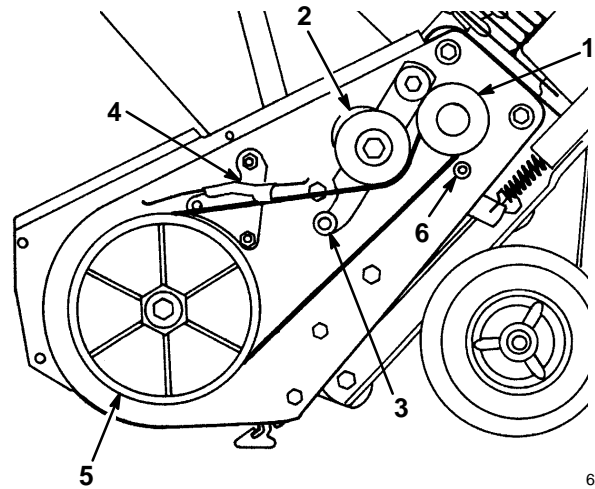


Figure 21

1. Engine pulley
2. Idler pulley
3. Roller
4. Brake arm assembly
5. Rotor pulley
6. Belt guide

6. Install the new scraper to the housing using the carriage bolts and locknuts.

Replacing the Drive Belt

Inspect the drive belt before each season, and replace it if it is worn or damaged.

1. Stop the engine.
2. Remove three self tapping screws, two capscrews, one washer, and two locknuts that secure the belt cover to the snowthrower frame (Fig. 20). Set the drive belt cover aside.

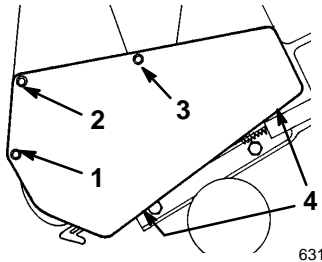


Figure 20

1. Cap screw, locknut
2. Capscrew, locknut, washer
3. Long self tapping screw
4. Short self tapping screws

3. Push down on the idler pulley and remove the drive belt from the rotor pulley, the brake arm assembly, and the engine pulley (Fig. 21).
4. Loop the new drive belt around the engine pulley, under the idler pulley, over the roller, through the brake assembly, and around the rotor pulley (Fig. 21).

IMPORTANT: The drive belt must be on top of the roller as shown in Figure 21.

5. Install the drive belt cover. Tighten the fasteners securely, but **do not overtighten**.

Replacing the Spark Plug

Before each season, check the spark plug. If the electrodes in the center of the plug are dark or have deteriorated, install a new NGK BPMR4A spark plug.

1. Remove three capscrews securing the control panel to the housing (Fig. 22).
2. Remove the ignition key and lift off the panel, allowing it to hang on the recoil rope.

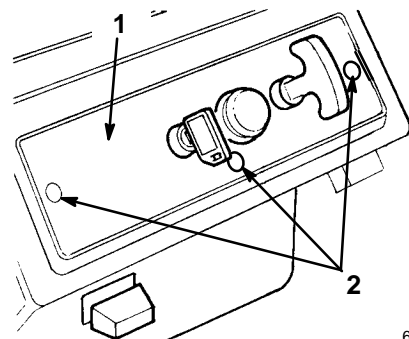


Figure 22

1. Control panel
2. Mounting screws

3. Pull the wire off the spark plug and remove the spark plug (Fig. 23).

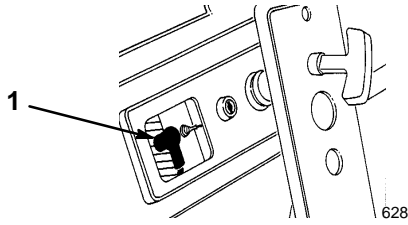


Figure 23

1. Spark plug wire

4. Examine the spark plug and replace it if it is cracked, fouled, or dirty.

IMPORTANT: Do not sandblast, scrape, or the clean spark plug. Dirt may fall into the cylinder and cause engine damage.

5. Set the spark plug gap (Fig. 24) between the electrodes to .032 in. (.81 mm).

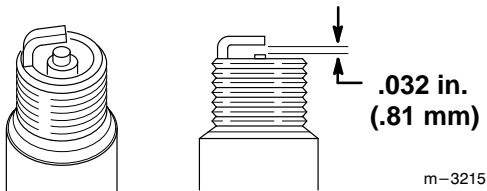


Figure 24

6. Install the spark plug and torque it to 15 ft-lb (20.4 N·m). If you do not have a torque wrench, tighten the plug firmly.
7. Push the wire onto the spark plug.
8. Install the control panel with the capscrews.

Replacing the Rotor Blades

Before each season, inspect the rotor blades for wear. When a rotor blade edge has worn to the wear indicator hole (Fig. 25), replace **both** rotor blades to ensure proper performance and to prevent damage to the underside of the snowthrower.

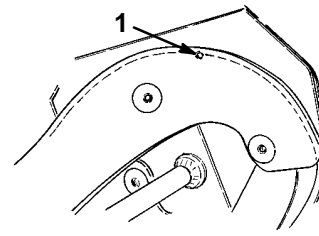


Figure 25

1. Wear indicator hole

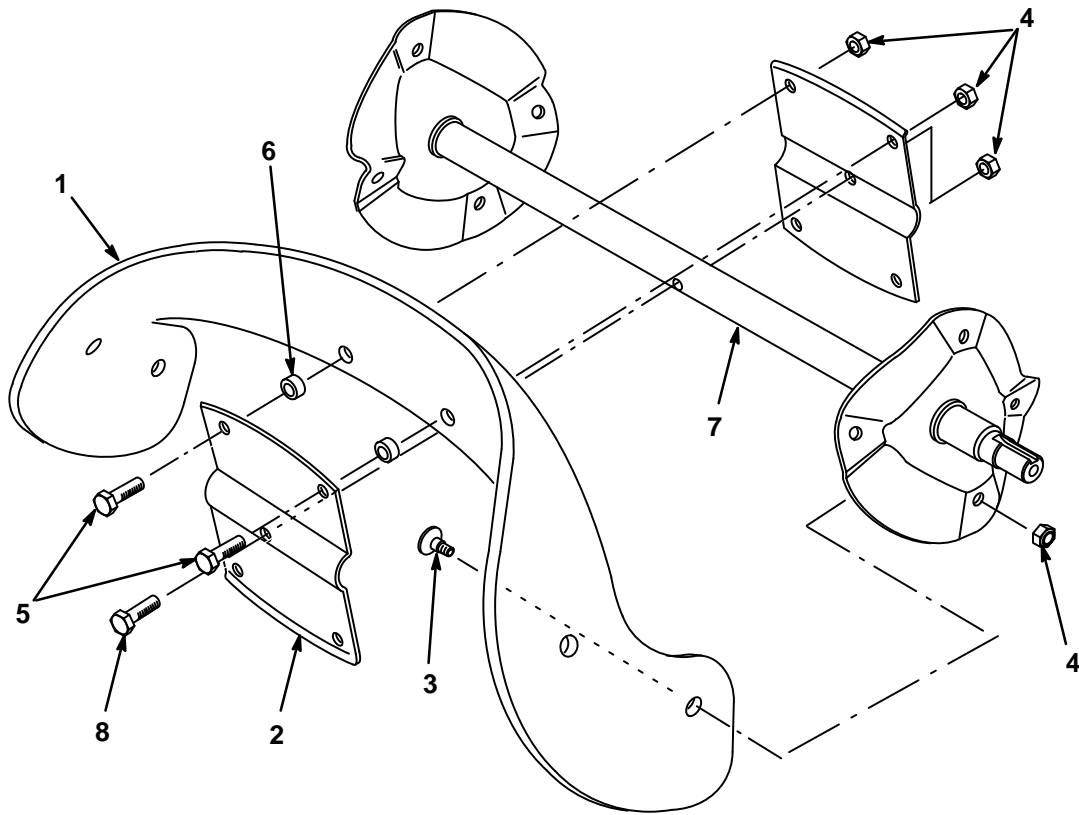
Note: Replace the scraper whenever you replace the rotor blades. This ensures proper snowthrower operation and performance.

Note: The running time and the roughness of the driveway or the sidewalk determines the wear rate of the rotor blades.

Removing the Old Blade

Note: You will need a No. T27 torx driver to complete this procedure.

1. Remove four torx screws and four locknuts that secure the outer edges of the rotor blade to the rotor shaft assembly (Fig. 26).
2. Remove two hex-head capscrews, spacers, and locknuts that secure the center of the blade to the rotor halves (Fig. 26).
3. Loosen the hex-head screw securing the rotor halves to the auger shaft assembly (Fig. 26)
4. Slide the blade out from between the rotor halves (Fig. 26).



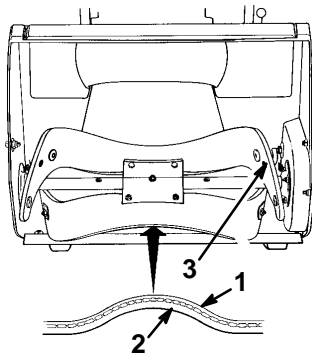
680

Figure 26

- | | | | |
|--------------------|-------------------|--------------------------|-------------------------|
| 1. Rotor blade (2) | 3. Torx screw (8) | 5. Hex-head capscrew (4) | 7. Auger shaft assembly |
| 2. Rotor half (2) | 4. Locknut (13) | 6. Spacer (4) | 8. Hex-head screw |

Installing a New Blade

1. Examine a new rotor blade edge for the difference in layer thickness (Fig. 27). Some rotor blades have a part number on the thick side of the blade.



681

Figure 27

- | | |
|----------------|------------------------|
| 1. Thin layer | 3. Wear indicator hole |
| 2. Thick layer | |

Install the rotor blades with the thick layer on the **inside** of the curve. (Fig. 27). If you do not install the blades properly, the blades may be out of balance and cause the snowthrower to “hop” or “bounce.”

2. Insert the new rotor blade between the rotor halves.
3. Secure the rotor blade to the rotor halves with two hex-head capscrews, two spacers, and two locknuts, positioning the bolt heads on the thick side of the blade (Fig. 26).
4. Curve the rotor blade and secure it with the remaining four torx screws and locknuts, positioning the screw heads on the thick side of the blade (Fig. 26).
5. Tighten all screws and locknuts securely.

Storage

Preparing the Fuel System

1. Add a fuel stabilizer/conditioner to the fuel in the fuel tank as directed.

Note: A fuel stabilizer/conditioner works best when you mix it with fresh gasoline.

Note: If you use *Toro Heavy Duty 50:1 All Season 2-Cycle Engine Oil with Fuel Stabilizer*, you do not need to add a fuel stabilizer/conditioner.

2. Run the engine for five minutes to distribute the conditioned fuel through the fuel system.
3. Stop the engine, allow it to cool, and drain the fuel tank.
4. Start the engine again and run it until it stops.
5. Prime the engine, start it a third time, and run it until it will not restart.
6. Recycle the fuel according to local codes.

Preparing the Engine

This procedure allows you to close both the intake and the exhaust ports of the engine, preventing cylinder bore corrosion.

1. Slowly pull the recoil starter until you feel resistance due to compression pressure, then stop.
2. Release the starter tension slowly to prevent the engine from reversing due to compression pressure.



Tightening the Fasteners and Cleaning the Snowthrower

1. Tighten screws, bolts, and locknuts if necessary. Repair or replace damaged parts.
2. Clean the snowthrower thoroughly.

Covering and Storing the Snowthrower

Cover the snowthrower and store it in a clean, dry place out of the reach of children.

IMPORTANT: Store the snowthrower in its operating position and on its wheels. Storing the snowthrower on its front housing may cause hard starting.

 WARNING 
POTENTIAL HAZARD <ul style="list-style-type: none">• Gasoline is highly flammable, explosive, and dangerous if inhaled.
WHAT CAN HAPPEN <ul style="list-style-type: none">• If gasoline contacts a flame or is inhaled, serious personal injury can occur.
HOW TO AVOID THE HAZARD <ul style="list-style-type: none">• Never store the snowthrower in a house (living area) or a basement where ignition sources may be present, such as hot water and space heaters, clothes dryers.• Allow the engine to cool before storing the snowthrower in an enclosure.

