



# 1744HXL

## Lawn Tractor

Model No. 71197-20000001 & Up

Model No. 71280-20000001 & Up

## Parts Catalog

---

### Ordering Replacement Parts

To order replacement parts, please supply: the part number, the quantity, and the description of each part desired.

### Understanding Reference Numbers

Each identified part in an illustration has a reference number. The reference number for a part also appears in the parts list, along with other information about the part.

This catalog uses two special reference number formats, one to indicate parts in a service assembly and another to indicate the quantity of a given part in an illustration.

### Service Assembly Reference Numbers

Parts in service assemblies have reference numbers in the form **a:b**. The **a** represents the reference number of the entire service assembly and the **b** represents a sequential number unique to each part within the service assembly.

For example, a wheel assembly might be identified by reference number **6**, the tire by **6:1**, the valve by **6:2**, and the wheel by **6:3**. When you order the assembly identified by reference number **6**, you receive all parts identified by reference numbers **6:1**, **6:2**, and **6:3**. However, you may also order any part individually.

Reference numbers of this type appear in illustrations and in part lists.

### Reference Numbers Indicating Quantity

In an illustration, if a reference number indicates more than one part, the reference number has the form **nX y**. The **n** represents the quantity of the part, the **X** is the multiplication symbol, and the **y** represents the reference number.

For example, in an illustration, the reference number **2X 37** means that two of the parts identified by reference number **37** are indicated.

## Contents

| Description                                | Page | Description                             | Page  |
|--|------|---|-------|
| Frame & Body Assembly .....                | 3    | Hydro Transaxle Controls Assembly ..... | 13    |
| Hood & Tower Assembly .....                | 4    | Height of Cut Assembly .....            | 14    |
| Rear Body & Seat Assembly .....            | 5    | Electrical Components Assembly .....    | 15    |
| Steering Components Assembly .....         | 6    | Hydro Transaxle Assembly .....          | 16    |
| Steering Components Assembly (cont.) ..... | 7    | Hydro Transaxle Assembly (cont.) .....  | 17    |
| Steering Assembly .....                    | 8    | Hydro Transaxle Assembly (cont.) .....  | 18    |
| Engine Systems Components Assembly .....   | 9    | Electrical Schematic .....              | 19    |
| Traction & Brake Components Assembly ..... | 10   | Engine Briggs & Stratton                |       |
| Wheel & Tire Assembly .....                | 11   | Model 312777–0128–E1 .....              | 20–29 |
| Hydro Transaxle Assembly .....             | 12   |   |       |

## Accessories

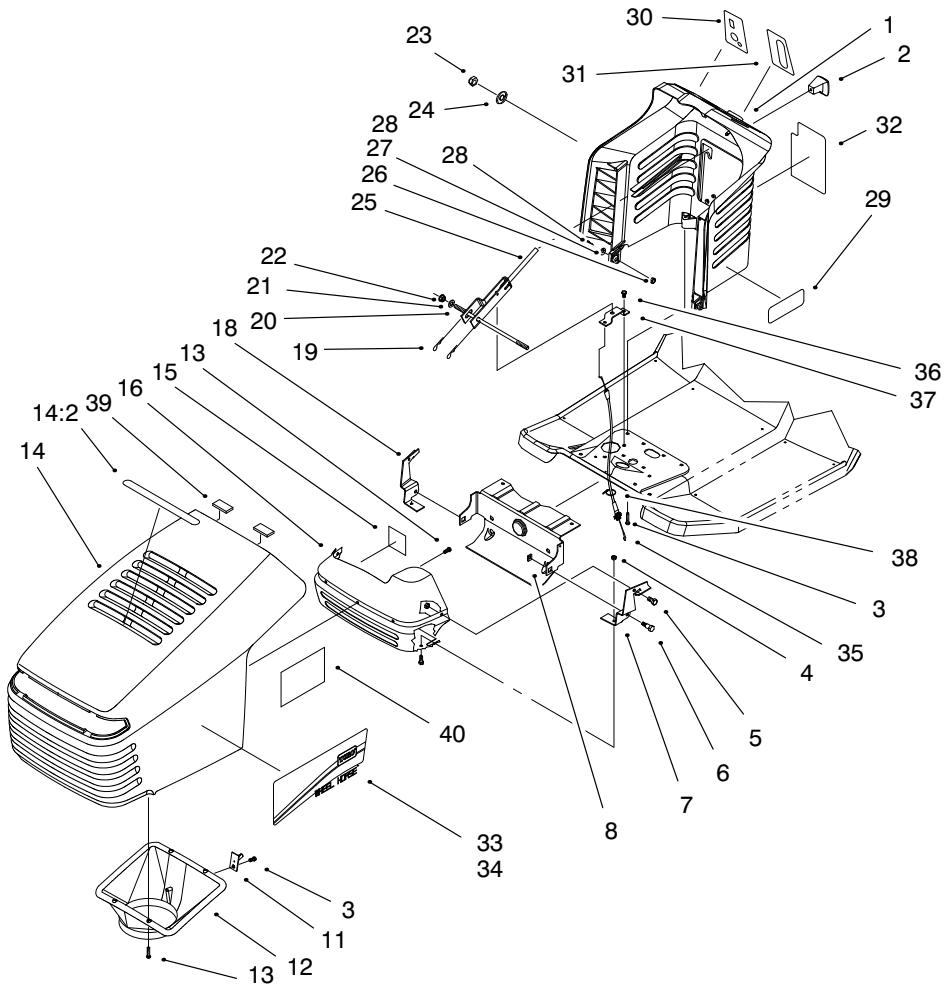
| Description                 | Model / Part No. | Description                  | Model / Part No. |
|-----------------------------|------------------|------------------------------|------------------|
| Twin Bag Bagger Kit .....   | Model No. 79102  | Snow Blade Adapter Kit ..... | Part No. 93–3806 |
| Recycler Kit .....          | Model No. 79174  | Wheel Weight Kit .....       | Model No. 59159  |
| Hi–Sail Bagging Blade ..... | Part No. 57–4940 | 44" Recycler Deck            |                  |
| Tire Chains .....           | Part No. 82522   | (Model No. 71197 only) ..... | Model No. 79108  |
| Headlight Kit               |                  | 44" Recycler Deck            |                  |
| (Std. these Models) .....   | Model No. 79180  | (Model No. 71280 only) ..... | Model No. 79107  |
| 42" Snowblade Kit .....     | Model No. 79150  |                              |                  |

## Part Description Abbreviations

Part descriptions in this catalog may include the following abbreviations.

| Abbreviation | Meaning                           | Abbreviation | Meaning                 |
|--------------|-----------------------------------|--------------|-------------------------|
| AR .....     | as required                       | INC .....    | incorporated            |
| ASM .....    | assembly                          | LH .....     | left hand               |
| CARR .....   | carriage                          | NI .....     | nylon insert            |
| DEG .....    | degrees                           | PPH .....    | Phillips pan head       |
| FH .....     | flat head                         | PTH .....    | Phillips truss head     |
| GA .....     | gauge                             | PTO .....    | power take off          |
| HF .....     | hex flange                        | RH .....     | right hand              |
| HH .....     | hex head                          | SFH .....    | slotted fillister head  |
| HHF .....    | hex head flange                   | SHH .....    | slotted hex head        |
| HLH .....    | hex lag head                      | SQH .....    | square head             |
| HJ .....     | hex jam                           | SHWH .....   | slotted hex washer head |
| HOC .....    | height-of-cut                     | SPH .....    | slotted pan head        |
| HS .....     | hex socket                        | SRH .....    | slotted round head      |
| HSBH .....   | hex socket button head            | STD .....    | standard                |
| HSFH .....   | hex socket flat head              | TAP .....    | self tapping            |
| HSH .....    | hex socket head                   | TTH .....    | Torx truss head         |
| HWH .....    | hex washer head                   | WH .....     | wing head               |
| HWHTF .....  | hex washer head<br>thread forming |              |                         |



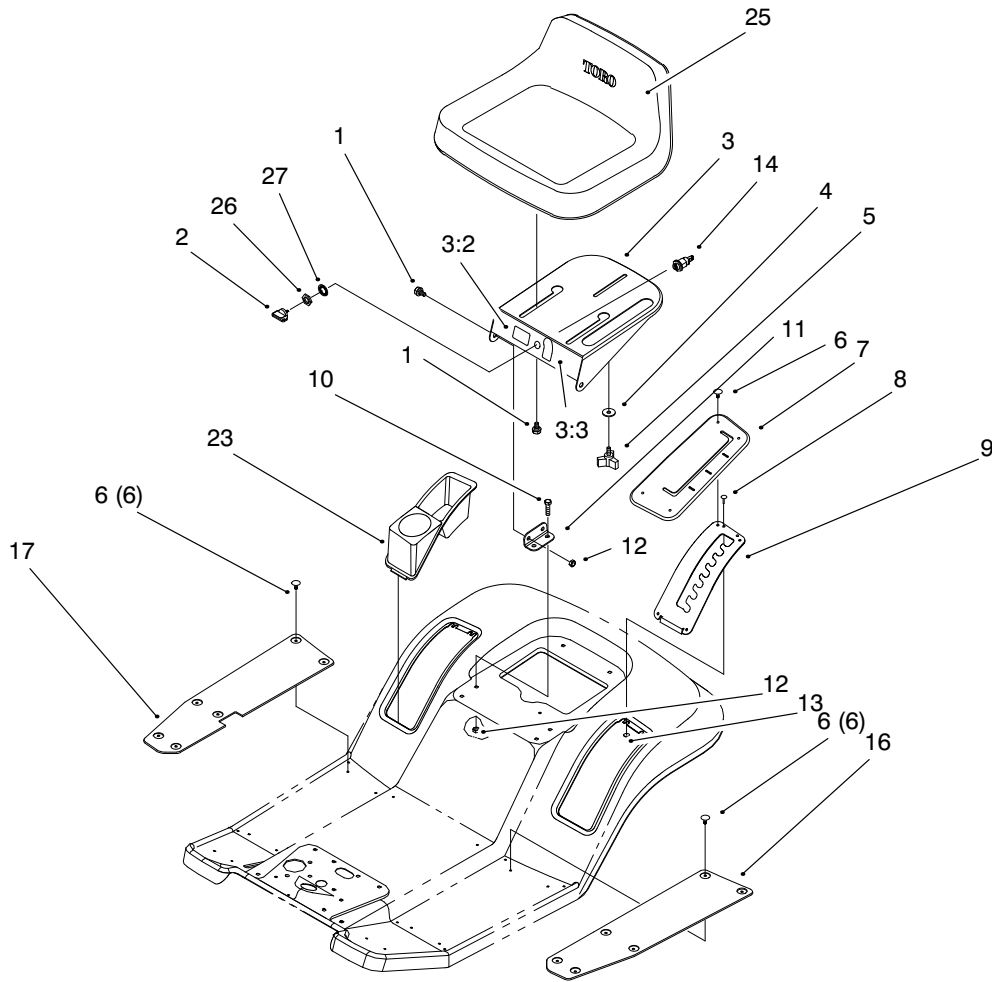


Sheet No.:3

## Hood & Tower Assembly

| Ref. No. | Part No.   | Qty. | Description            |
|----------|------------|------|------------------------|
| 1        | 99-1947    | 1    | Tower-Steering         |
| 2        | 94-5565    | 1    | Knob - Shift           |
| 3        | 46-8091    | 3    | Special-HWH            |
| 4        | 3296-42    | 4    | Nut-Lock               |
| 5        | 321-2      | 4    | Screw-HH               |
| 6        | 28-0540    | 2    | Bolt-Shoulder          |
| 7        | 88-6050-03 | 1    | Bracket-LH Hinge       |
| 8        | 3290-496   | 2    | Nut-Retainer           |
| 11       | 94-1984    | 1    | Latch - Pin            |
| 12       | 93-3891    | 1    | Duct - Hood Air        |
| 13       | 46-8090    | 7    | Screw-Plastite         |
| 14       | 92-8650    | 1    | Hood-V-Chassis<br>Toro |
| 14       |            | 1    | Hood-w/Decal Toro      |
| 14:2     | 92-5748    | 1    | Decal-Air Duct Toro    |
| 15       | 92-5782    | 3    | Foil Tape              |
| 16       | 93-3864-03 | 1    | Shield - Heat          |
| 18       | 88-6040-03 | 1    | Bracket-RH Hinge       |
| 19       | 3290-307   | 2    | Cotter-Hairpin         |
| 20       | 100-7401   | 1    | Rod-Tower Pivot        |
| 21       | 3256-24    | 2    | Washer-Flat            |
| 22       | 3218-3     | 2    | Nut-Jam                |
| 23       | 100-7402   | 2    | Nut-Cap                |
| 24       | 100-7403   | 2    | Washer-Flat            |
| 25       | 88-5190-03 | 1    | Deck Engage Lev Wa     |
| 26       | 3296-29    | 2    | Nut-Lock               |

| Ref. No. | Part No. | Qty. | Description                               |
|----------|----------|------|---|
| 27       | 3256-23  | 2    | Washer-Flat                               |
| 28       | 322-3    | 2    | Screw-HH                                  |
| 29       | 99-5914  | 2    | Decal-Tower 1744 Hxl                      |
| 30       | 99-8139  | 1    | Decal-Ignition/Lights<br>(only on: 71197) |
| 30       | 99-8141  | 1    | Decal-Ignition/Lights<br>(only on: 71280) |
| 31       | 92-2461  | 1    | Decal - Throttle (only<br>on: 71197)      |
| 31       | 92-5730  | 1    | Decal - Throttle (only<br>on: 71280)      |
| 32       | 93-6673  | 1    | Decal - Deck Engage<br>(only on: 71280)   |
| 32       | 92-2462  | 1    | Decal - Deck Engage<br>(only on: 71197)   |
| 33       | 95-0808  | 1    | Decal - Hood Left                         |
| 34       | 95-0807  | 1    | Decal - Hood Right                        |
| 35       | 99-6838  | 1    | Cable ASM-Deck, 44"                       |
| 36       | 9266714  | 2    | Screw-HWH                                 |
| 37       | 93-3849  | 1    | Brkt-Upper Cable                          |
| 38       | 614249   | 1    | Strap-Tie, Small                          |
| 39       | 94-1980  | 2    | Foam - Hood                               |
| 40       | 100-6223 | 1    | Decal-Service, 71197<br>(only on: 71197)  |

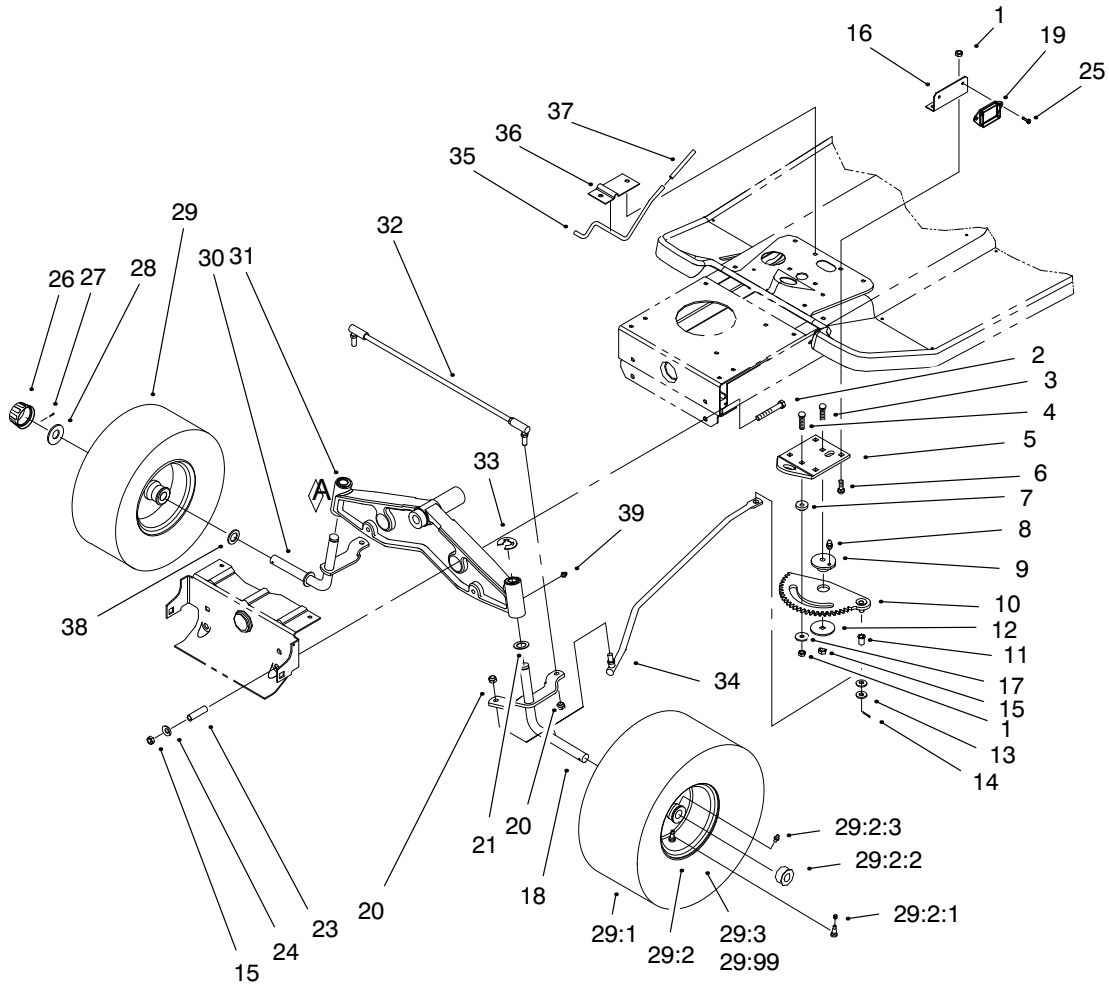


Sheet No.:4

## Rear Body & Seat Assembly

| Ref. No. | Part No.   | Qty. | Description                                |
|----------|------------|------|--|
| 1        | 37-8770    | 4    | Bolt-Shoulder                              |
| 2        | 63-8360    | 1    | Key-Ignition w/Shield                      |
| 3        | 99-5830    | 1    | Support ASM-Seat<br>(only on: 71197)       |
| 3        | 99-5831    | 1    | Support ASM-Seat<br>(only on: 71280)       |
| 3:2      | 99-2986    | 1    | Decal-Danger Intl<br>(only on: 71280)      |
| 3:2      | 99-2985    | 1    | Decal-Danger (only<br>on: 71197)           |
| 3:3      | 99-5340    | 1    | Decal-Nmir Switch Intl<br>(only on: 71280) |
| 3:3      | 99-5339    | 1    | Decal-Nmir Switch<br>(only on: 71197)      |
| 4        | 5-4460     | 1    | Washer-Pivot                               |
| 5        | 92-9674    | 1    | Knob                                       |
| 6        | 3290-479   | 16   | Fastener-Panel                             |
| 7        | 88-5170    | 1    | Cover - HOC (only<br>on: 71197)            |
| 7        | 93-7657    | 1    | Cover - HOC, Intl<br>(only on: 71280)      |
| 8        | 3290-282   | 2    | Rivet-Stl Pop                              |
| 9        | 88-5030-03 | 1    | Gate-HOC                                   |
| 10       | 322-3      | 4    | Screw-HH                                   |
| 11       | 88-4820-03 | 2    | Bracket-Seat Hinge                         |
| 12       | 3296-29    | 6    | Nut-Lock                                   |

| Ref. No. | Part No. | Qty. | Description       |
|----------|----------|------|-------------------|
| 13       | 3269-26  | 2    | Washer-Flat       |
| 14       | 46-5780  | 1    | Switch-Starter    |
| 16       | 88-5240  | 1    | Mat-LH Foot       |
| 17       | 88-5230  | 1    | RH Foot Mat Hydro |
| 23       | 88-4990  | 1    | Tray - Fender     |
| 25       | 92-6511  | 1    | Seat V-511        |
| 26       | 218-461  | 1    | Nut-HH            |
| 27       | 3254-5   | 1    | Washer-Lock/Int   |



Sheet No.:5

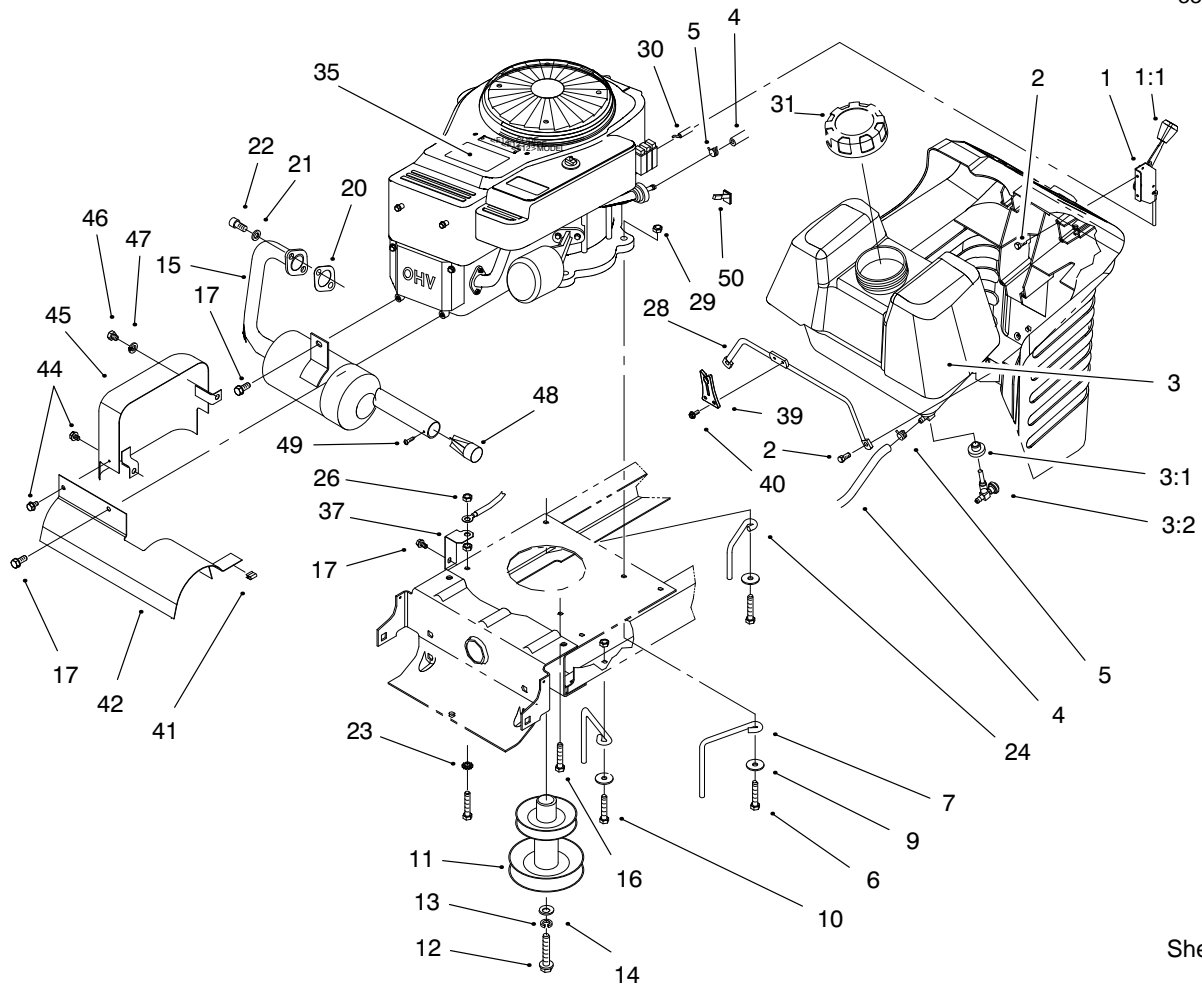
## Steering Components Assembly

| Ref. No. | Part No.   | Qty. | Description            |
|----------|------------|------|------------------------|
| 1        | 3296-29    | 5    | Nut-Lock               |
| 2        | 323-13     | 2    | Screw-HH               |
| 3        | 3231-4     | 1    | Screw-CARR             |
| 4        | 3230-3     | 1    | Screw-CARR             |
| 5        | 88-5130-03 | 1    | Bracket-Steering Rack  |
| 6        | 3230-2     | 4    | Screw-CARR             |
| 7        | 88-5010    | 1    | Spacer - Steering Rack |
| 8        | 302-26     | 1    | Zerk                   |
| 9        | 88-4670    | 1    | Bushing - Eccentric    |
| 10       | 88-5200    | 1    | Steering Rack Wa *B    |
| 11       | 52-2891    | 1    | Bushing-Steering Link  |
| 12       | 111419     | 1    | Bearing-Washer         |
| 13       | 3256-25    | 2    | Washer-Flat            |
| 14       | 3272-10    | 1    | Pin-Cotter             |
| 15       | 3296-39    | 3    | Nut-Lock Ni            |
| 16       | 99-2956-03 | 1    | Bracket-Module         |
| 17       | 5-4460     | 1    | Washer-Pivot           |
| 18       | 93-3833-03 | 1    | Wa - Spindle LH        |
| 19       | 99-3700    | 1    | Module-Nmir            |
| 20       | 3296-5     | 3    | Nut-Lock Ni            |
| 21       | 3-6498     | 2    | Washer-Thrust          |
| 23       | 88-5470    | 2    | Spacer-Front Axle      |
| 24       | 3256-24    | 2    | Washer-Flat            |
| 25       | 9266714    | 2    | Screw-HWH              |

| Ref. No. | Part No.   | Qty. | Description                            |
|----------|------------|------|--|
| 26       | 61-9780    | 2    | Cap-Hub                                |
| 27       | 3272-12    | 2    | Pin-Cotter                             |
| 28       | 28-2480    | 2    | Washer                                 |
| 29       |            | 2    | Wheel & Tire ASM, 15" (only on: 71280) |
| 29       |            | 2    | Wheel&tire ASM,Front (only on: 71197)  |
| 29:1     | 99-2988    | 1    | Tire                                   |
| 29:2     | 99-6829    | 1    | Rim ASM-Welded (only on: 71280)        |
| 29:2     | 88-4370    | 1    | 15" Rim ASM (only on: 71197)           |
| 29:2:1   | 232-27     | 1    | Stem-Valve                             |
| 29:2:2   | 110513     | 2    | Bearing-Wheel (only on: 71280)         |
| 29:2:2   | 88-4400    | 2    | Bearing - Wheel (only on: 71197)       |
| 29:2:3   | 302-5      | 1    | Fitting-Lube                           |
| 29:3     | 232-39     | 1    | Tube (only on: 71280)                  |
| 29:99    | 232-39     | 1    | Tube (only on: 71197)                  |
| 30       | 92-7889-03 | 1    | RH Spindle Wa                          |
| 31       | 99-2955-03 | 1    | Axle-Front                             |
| 32       | 93-3873    | 1    | Assembly - Tie Rod                     |
| 33       | 32151-48   | 2    | E-Ring                                 |
| 34       | 93-3840    | 1    | Drag Link                              |
| 35       | 88-5510    | 1    | Rod-Parking Brake                      |







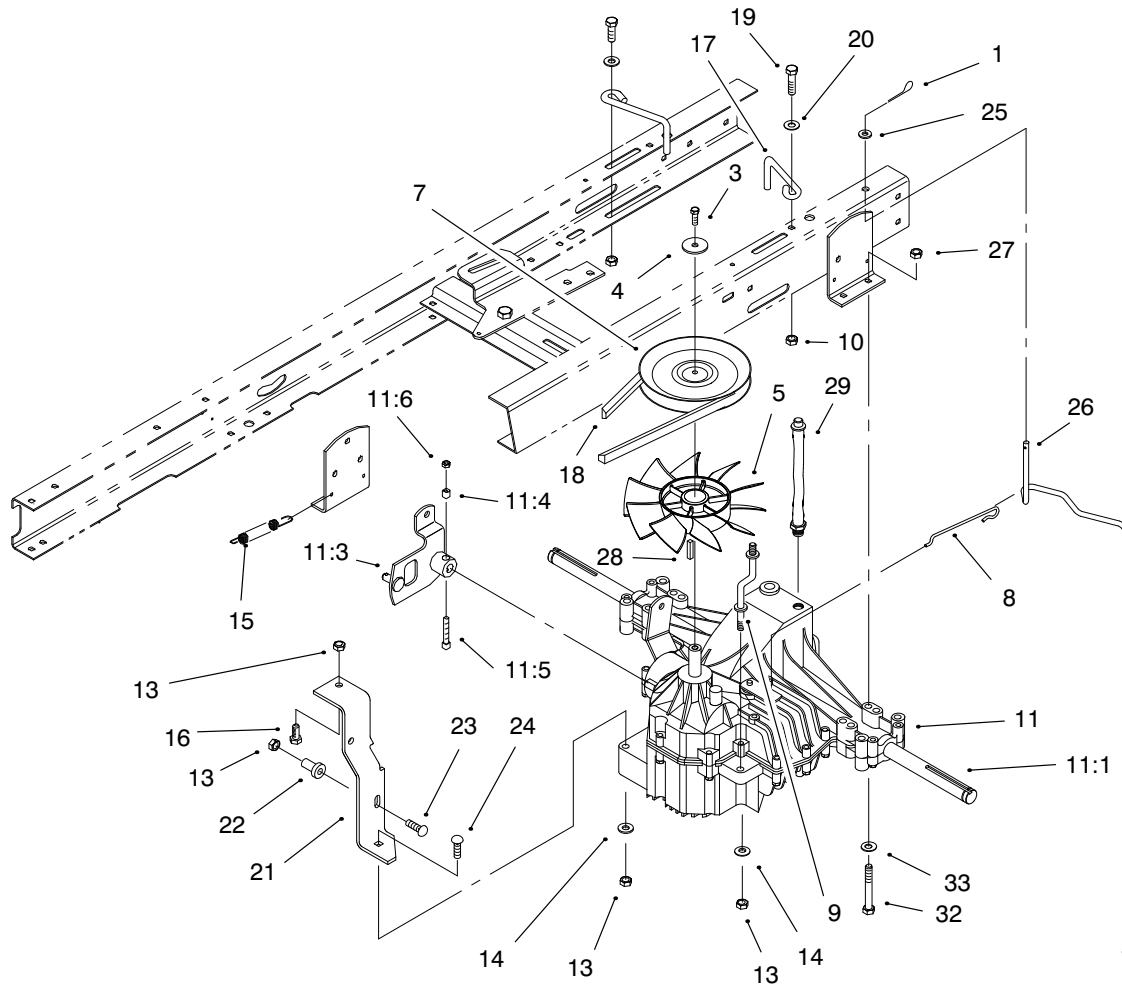
Sheet No.:7

## Engine Systems Components Assembly

| Ref. No. | Part No. | Qty. | Description         | Ref. No. | Part No.   | Qty. | Description                              |
|----------|----------|------|---------------------|----------|------------|------|--|
| 1        | 88-4340  | 1    | Control-Throttle    | 29       | 3296-29    | 4    | Nut-Lock                                 |
| 1:1      | 66-0120  | 1    | Knob                | 30       | 88-4350    | 1    | Cable-Throttle                           |
| 2        | 27-0220  | 4    | Screw-Special       | 31       | 88-3980    | 1    | Gas Cap Assembly                         |
| 3        | 88-3880  | 1    | Gas Tank ASM        | 35       | 99-8057    | 1    | Decal - Engine                           |
| 3:1      | 104047   | 1    | Bushing             | 37       | 93-3809    | 1    | Bracket- Ground                          |
| 3:2      | 104048   | 1    | Valve-Fuel          | 39       | 94-1951    | 1    | Latch - Hood                             |
| 4        | 47-2963  | 1    | Hose-Gas            | 40       | 32144-112  | 2    | Screw-Forming,<br>Thread                 |
| 5        | 2412-98  | 2    | Clamp               | 41       | 93-3882    | 1    | Clip - Tinnerman, U                      |
| 6        | 322-9    | 3    | Screw-HH            | 42       | 93-3880-03 | 1    | Shield-Muffler                           |
| 7        | 93-3854  | 3    | Guide - Belt Engine | 44       | 32104-76   | 2    | Screw-Acorn Slot                         |
| 9        | 5-4460   | 4    | Washer-Pivot        | 45       | 93-8450-03 | 1    | Wa - Exhaust Shield                      |
| 10       | 322-5    | 2    | Screw-HH            | 46       | 322-3      | 1    | Screw-HH                                 |
| 11       | 93-3832  | 1    | Pulley, Engine      | 47       | 3253-4     | 1    | Washer-Lock/Sp                           |
| 12       | 62-3760  | 1    | Screw-HH            | 48       | 93-9911    | 1    | Screen-Silencer,<br>Exhaust              |
| 13       | 3253-22  | 1    | Washer-Lock/Sp      | 49       | 32144-42   | 1    | Screw-Selftap                            |
| 14       | 3256-25  | 1    | Washer-Flat         | 50       | 88-4490    | 1    | Reducer-Throttle Rpm<br>(only on: 71280) |
| 15       | 99-6845  | 1    | Muffler-17 HP       |          |            |      |  |
| 16       | 9267154  | 1    | Screw               |          |            |      |  |
| 17       | 9266714  | 3    | Screw-HWH           |          |            |      |  |
| 20       | 88-4410  | 1    | Gasket-Muffler      |          |            |      |  |
| 21       | 3253-4   | 2    | Washer-Lock/Sp      |          |            |      |  |
| 22       | 3274-10  | 2    | Screw-HSH           |          |            |      |  |
| 23       | 3255-8   | 1    | Washer-Lock/Ext     |          |            |      |  |
| 24       | 93-3855  | 1    | Guide - Belt RH     |          |            |      |  |
| 26       | 32149-1  | 2    | Nut-Keps            |          |            |      |  |
| 28       | 94-1952  | 1    | Rod - Gas Tank      |          |            |      |  |





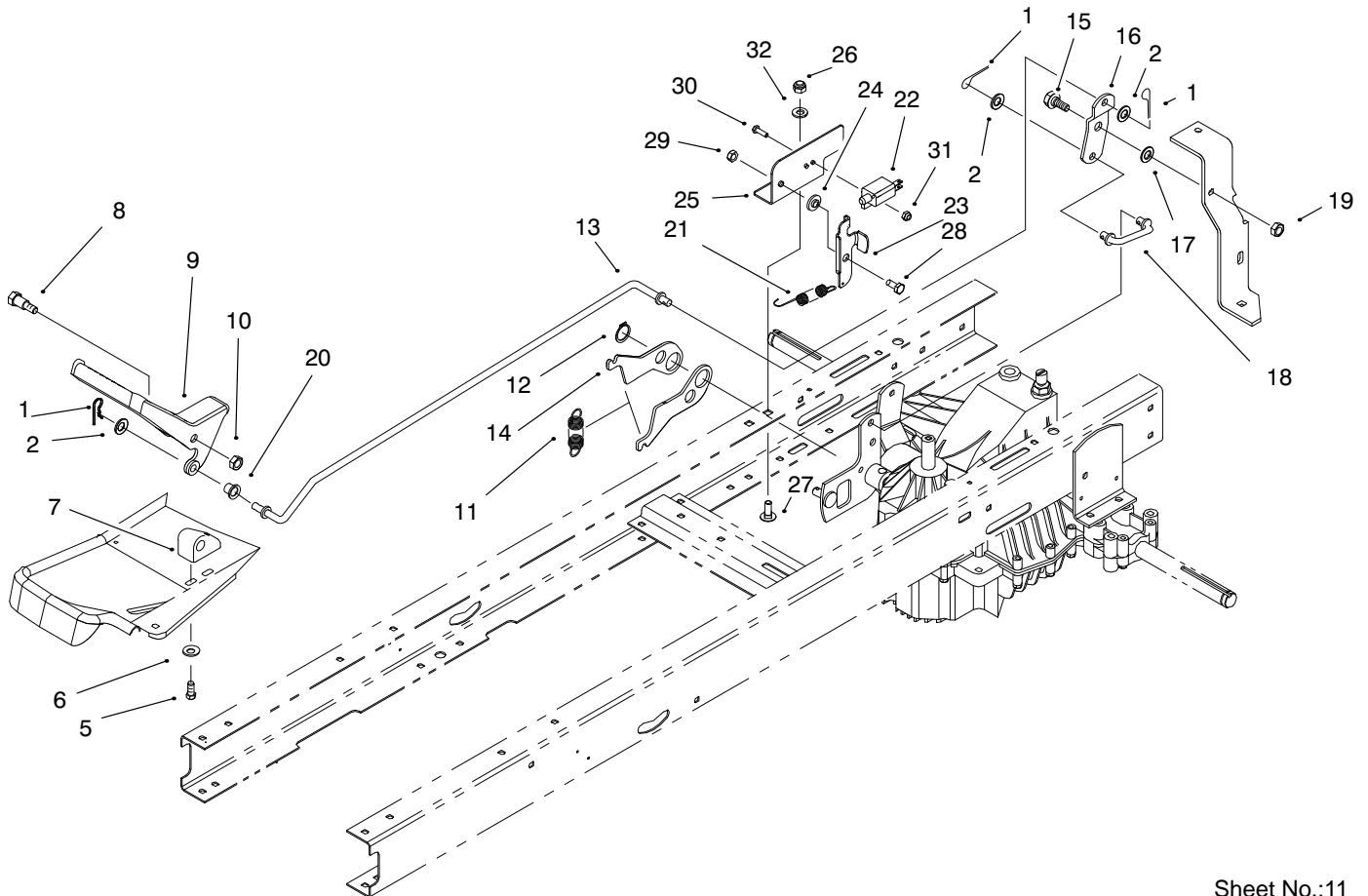


Sheet No.:10

## Hydro Transaxle Assembly

| Ref. No. | Part No.  | Qty. | Description                  |
|----------|-----------|------|------------------------------|
| 1        | 3290-307  | 1    | Cotter-Hairpin               |
| 3        | 33113-016 | 1    | Screw-HH                     |
| 4        | 3256-58   | 1    | Washer-Flat                  |
| 5        | 93-3867   | 1    | Fan - 10 Blade 7" Dia.       |
| 7        | 93-3862   | 1    | Pulley, Transmission         |
| 8        | 92-8856   | 1    | Wire - Bypass                |
| 9        | 93-3872   | 1    | Strap - Torque               |
| 10       | 3296-29   | 2    | Nut-Lock                     |
| 11       |           | 1    | ASM-Transaxle<br>Hydro 1644  |
| 11:1     | 95-2727   | 1    | ASM-Transaxle<br>(Service)   |
| 11:3     | 99-5845   | 1    | Lever Wa-Speed<br>Control    |
| 11:4     | 86-4270   | 1    | Lock Spacer                  |
| 11:5     | 3274-59   | 1    | Screw-HSH                    |
| 11:6     | 3296-12   | 1    | Nut-Lock                     |
| 13       | 3296-29   | 5    | Nut-Lock                     |
| 14       | 3256-23   | 3    | Washer-Flat                  |
| 15       | 26-6700   | 1    | Spring-Brake Return          |
| 16       | 322-3     | 1    | Screw-HH                     |
| 17       | 93-3868   | 2    | Guide - Transmission<br>Belt |
| 18       | 93-3883   | 1    | V-Belt, Hydro                |
| 19       | 322-5     | 2    | Screw-HH                     |
| 20       | 5-4460    | 2    | Washer-Pivot                 |

| Ref. No. | Part No.   | Qty. | Description         |
|----------|------------|------|---------------------|
| 21       | 93-3863-03 | 1    | Brkt-Speed Control  |
| 22       | 65-5080    | 1    | Flange Bushing      |
| 23       | 3230-5     | 1    | Screw-CARR          |
| 24       | 3230-7     | 1    | Screw-CARR          |
| 25       | 3256-22    | 1    | Washer-Flat         |
| 26       | 92-8857    | 1    | Lever - Bypass      |
| 27       | 3296-29    | 4    | Nut-Lock            |
| 28       | 80-6090    | 1    | Key - Pump          |
| 29       | 94-1945    | 1    | ASM - Breather Hose |
| 32       | 322-12     | 4    | Screw-HH            |
| 33       | 3256-23    | 4    | Washer-Flat         |

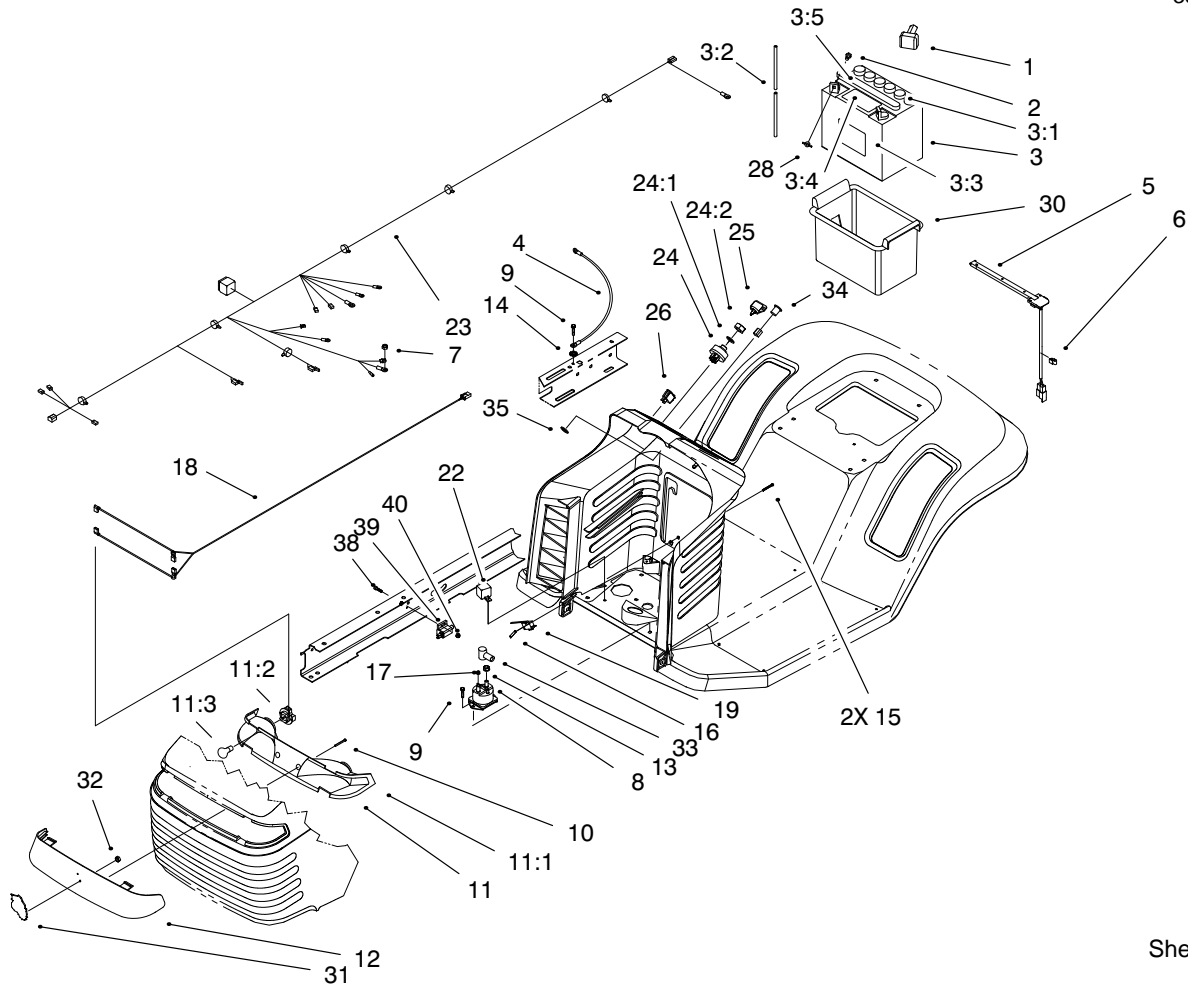


Sheet No.:11

## Hydro Transaxle Controls Assembly

| Ref. No. | Part No.   | Qty. | Description               | Ref. No. | Part No. | Qty. | Description           |
|----------|------------|------|---------------------------|----------|----------|------|-----------------------|
| 1        | 3290-307   | 4    | Cotter-Hairpin            | 27       | 3230-18  | 2    | Screw-CARR            |
| 2        | 3256-38    | 4    | Washer-Flat               | 28       | 99-6810  | 1    | Screw-Hex Hd          |
| 5        | 46-8090    | 2    | Screw-Plastite            | 29       | 3296-42  | 1    | Nut-Lock              |
| 6        | 3256-22    | 2    | Washer-Flat               | 30       | 3290-392 | 2    | Screw - Hex Head Slot |
| 7        | 88-4690    | 1    | Pivot Block               | 31       | 3296-1   | 2    | Nut-Lock Ni           |
| 8        | 23-0310    | 1    | Shoulder Bolt             | 32       | 3256-23  | 2    | Washer-Flat           |
| 9        | 99-6120-05 | 1    | Pedal-Speed Control       |          |          |      |                       |
| 10       | 3296-59    | 1    | Nut-Lock Ni               |          |          |      |                       |
| 11       | 92-7305    | 1    | Spring-Extension          |          |          |      |                       |
| 12       | 32151-83   | 1    | Snap Ring                 |          |          |      |                       |
| 13       | 99-6804    | 1    | Rod-Speed Control,1744    |          |          |      |                       |
| 14       | 88-5610    | 2    | Neutral Return Lever      |          |          |      |                       |
| 15       | 37-8771    | 1    | Screw-Shoulder            |          |          |      |                       |
| 16       | 93-3875    | 1    | Bellcrank                 |          |          |      |                       |
| 17       | 3290-456   | 1    | Washer-Belleville         |          |          |      |                       |
| 18       | 93-3874    | 1    | Link-Speed/Direct Control |          |          |      |                       |
| 19       | 3296-47    | 1    | Nut-Lock Ni               |          |          |      |                       |
| 20       | 99-6121    | 1    | Bushing                   |          |          |      |                       |
| 21       | 99-6805    | 1    | Spring-Extension          |          |          |      |                       |
| 22       | 95-1653    | 1    | Switch - Single Pole      |          |          |      |                       |
| 23       | 99-6807    | 1    | Bracket - Pivot           |          |          |      |                       |
| 24       | 99-6808    | 1    | Washer-Stepped            |          |          |      |                       |
| 25       | 99-6806    | 1    | Bracket - Adjustment      |          |          |      |                       |
| 26       | 3296-29    | 2    | Nut-Lock                  |          |          |      |                       |





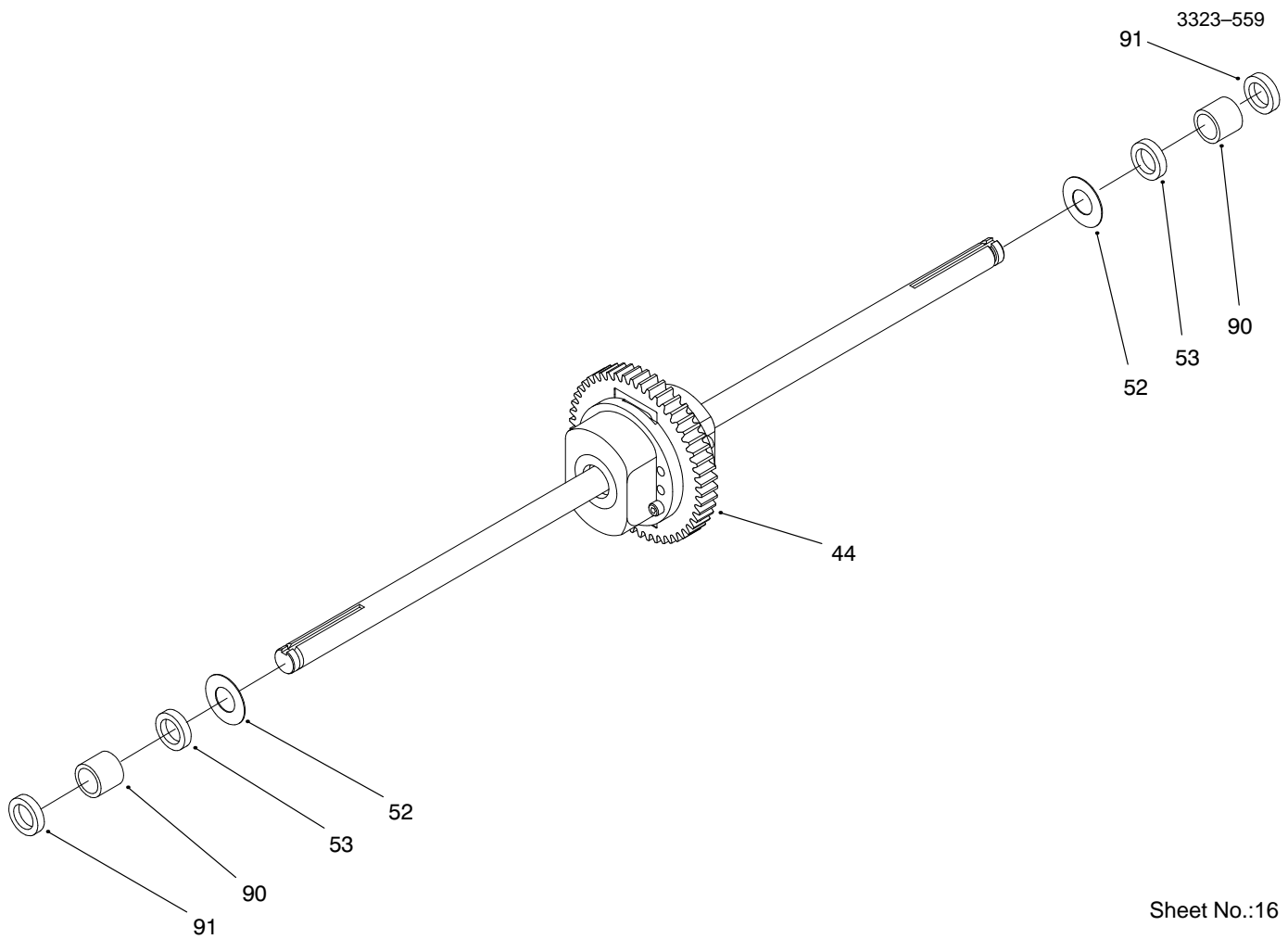
Sheet No.:13

## Electrical Components Assembly

| Ref. No. | Part No. | Qty. | Description                |
|----------|----------|------|----------------------------|
| 1        | 28-8080  | 1    | Boot-Terminal              |
| 2        | 321-4    | 2    | Screw-HH                   |
| 3        | 80-2600  | 1    | Battery                    |
| 3:1      | 218-560  | 6    | Cap-Battery                |
| 3:2      | 56-2540  | 1    | Tube-Batt<br>Drain/80-2600 |
| 3:3      | 93-6668  | 1    | Decal - Battery            |
| 3:4      | 93-7276  | 1    | Decal - Danger             |
| 3:5      | 93-9354  | 1    | Decal - Danger             |
| 4        | 44-8110  | 1    | Wire ASM                   |
| 5        | 38-1420  | 1    | Switch-Seat                |
| 6        | 702366   | 1    | Clip-Wire Retainer         |
| 7        | 32149-2  | 1    | Nut-Keps                   |
| 8        | 28-4210  | 1    | Solenoid                   |
| 9        | 9266714  | 3    | Screw-HWH                  |
| 10       | 32144-32 | 2    | Screw                      |
| 11       | 88-3970  | 1    | Reflector & Lamp ASM       |
| 11:1     | 111686   | 2    | Socket-Light               |
| 11:2     | 7228     | 2    | Bulb -No. 1156             |
| 11:3     | 93-8741  | 1    | Reflector                  |
| 12       | 88-3960  | 1    | Lens-Headlight             |
| 13       | 32149-1  | 2    | Nut-Keps                   |
| 14       | 3255-7   | 2    | Washer-Lock/Ext            |
| 15       | 93-0539  | 2    | Screw-HH                   |
| 16       | 3290-354 | 1    | Nut-Speed                  |
| 17       | 32149-8  | 2    | Keps Nut                   |

| Ref. No. | Part No. | Qty. | Description                  |
|----------|----------|------|------------------------------|
| 18       | 99-1935  | 1    | Harness-Headlight            |
| 19       | 88-9932  | 1    | Switch-Micro                 |
| 22       | 98-7249  | 1    | Relay-Spdt                   |
| 23       | 99-6840  | 1    | Harness-Wire, Hydro          |
| 24       | 88-9830  | 1    | Switch-Ignition              |
| 24:1     | 3254-5   | 1    | Washer-Lock/Int              |
| 24:2     | 218-461  | 1    | Nut-HH                       |
| 25       | 63-8360  | 1    | Key-Ignition w/Shield        |
| 26       | 92-8875  | 1    | Switch - Rocker              |
| 28       | 32103-22 | 2    | Nut-Wing                     |
| 30       | 88-4040  | 1    | Box-Battery                  |
| 31       | 80-2240  | 1    | Emblem-Grille<br>Whlhorse    |
| 32       | 3290-299 | 1    | Clip                         |
| 33       | 94-5362  | 1    | Boot - Terminal<br>Insulator |
| 34       | 95-7652  | 1    | Light - Indicator            |
| 35       | 99-6059  | 1    | Clip-Retainer                |
| 38       | 3274-14  | 2    | Screw-HSH                    |
| 39       | 65-7410  | 1    | Switch - Single Pole         |
| 40       | 3296-2   | 2    | Nut-Lock                     |



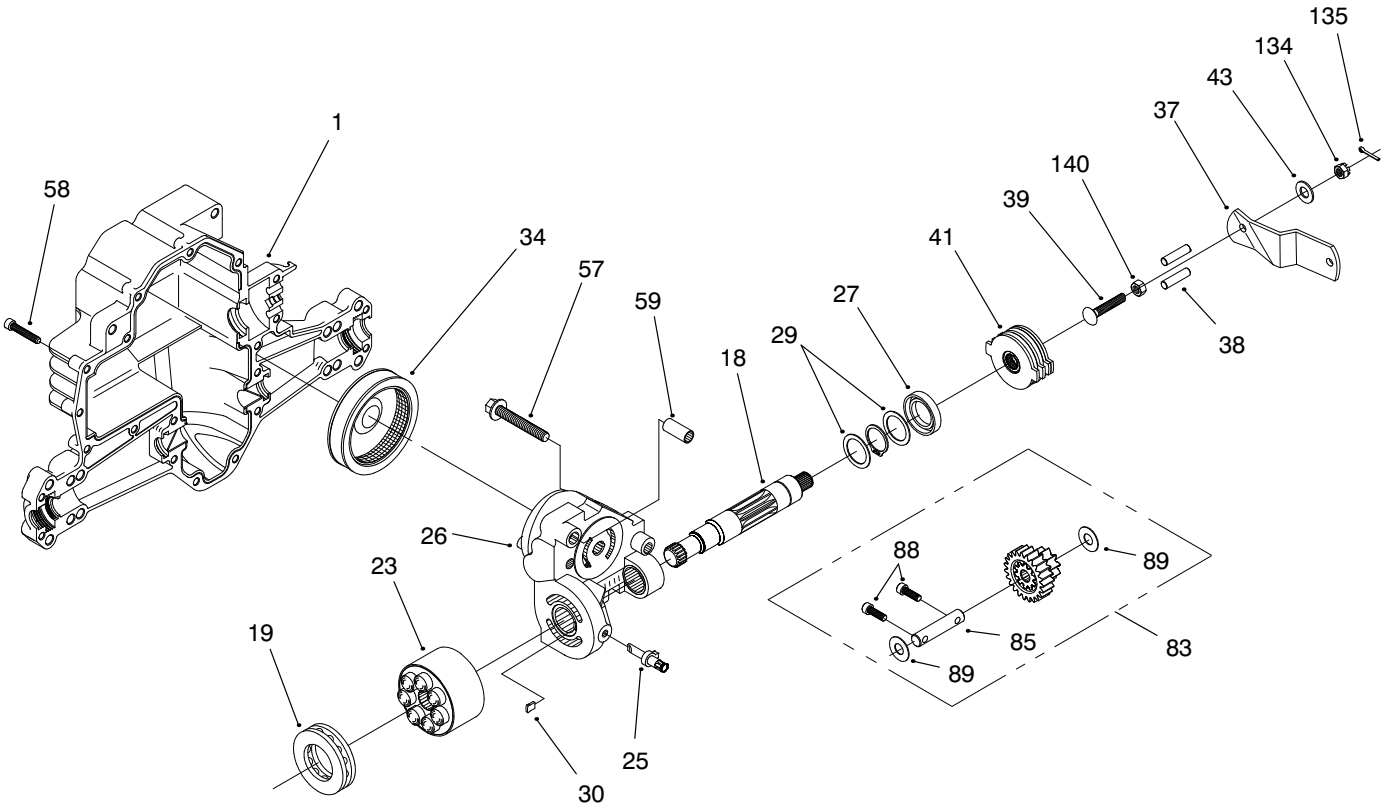


Sheet No.:16

## Hydro Transaxle Assembly (cont.)

| Ref. No. | Part No. | Qty. | Description      |
|----------|----------|------|------------------|
| 44       | 95-3269  | 1    | Differential ASM |
| 52       | 94-1943  | 2    | Washer           |
| 53       | 94-1924  | 2    | Seal             |
| 90       | 94-1934  | 2    | Sleeve - Bearing |
| 91       | 94-1935  | 2    | Seal - Wiper     |

| Ref. No. | Part No. | Qty. | Description |
|----------|----------|------|-------------|
|          |          |      |             |
|          |          |      |             |
|          |          |      |             |
|          |          |      |             |



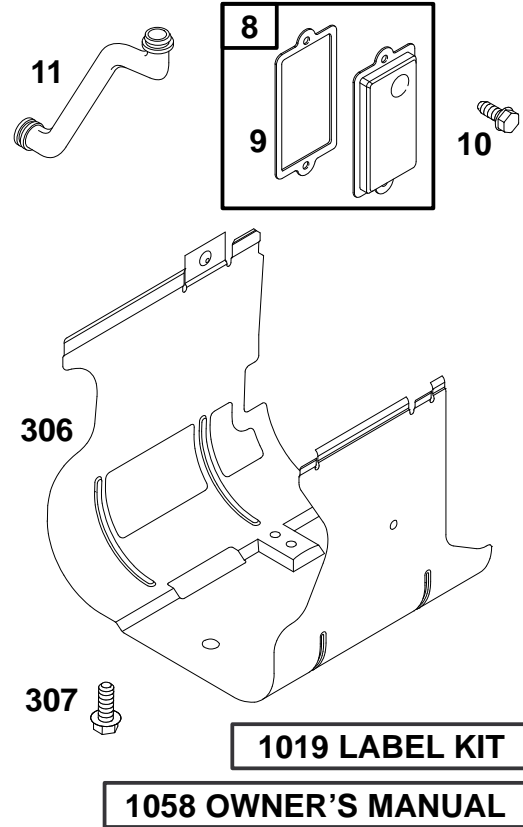
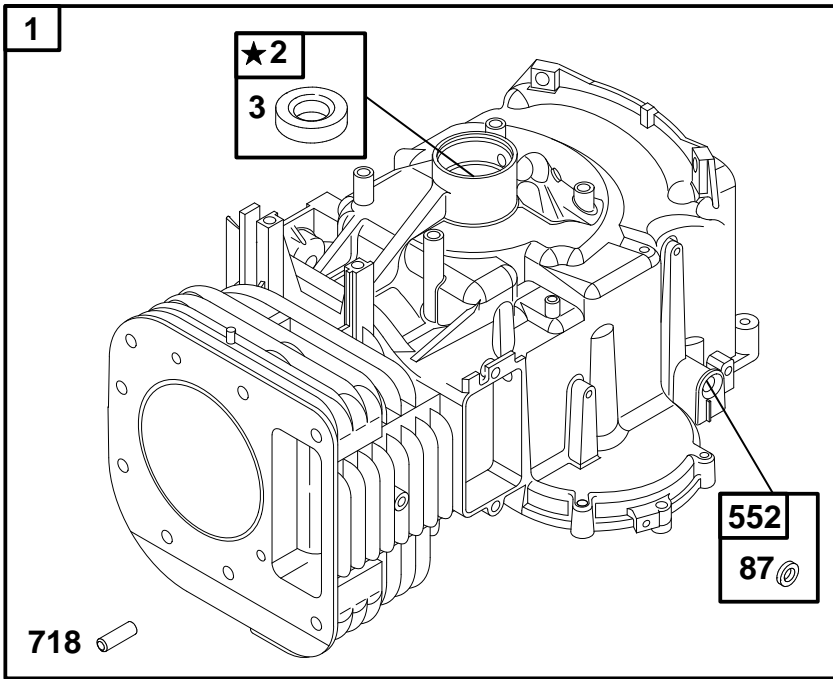
Sheet No.:17

## Hydro Transaxle Assembly (cont.)

| Ref. No. | Part No. | Qty. | Description               |
|----------|----------|------|---------------------------|
| 1        | 94-1900  | 1    | Housing - Lower           |
| 18       | 94-6955  | 1    | Shaft - Motor             |
| 19       | 94-6923  | 1    | Bearing - Thrust          |
| 23       | 94-1913  | 1    | Block - Cylinder ASM      |
| 25       | 94-1914  | 1    | Actuator - Bypass         |
| 26       | 94-1915  | 1    | Centersection ASM         |
| 27       | 94-1916  | 1    | Seal - Lip                |
| 28       | 94-1917  | 1    | Ring - Retaining          |
| 29       | 94-1918  | 2    | Washer                    |
| 30       | 94-6925  | 1    | Bypass Plate              |
| 34       | 94-1920  | 1    | Oil Filter Element        |
| 37       | 93-3861  | 1    | Lever - Brake             |
| 38       | 92-6549  | 1    | Pin - Actuating           |
| 39       | 94-1923  | 1    | Bolt                      |
| 41       | 94-1919  | 4    | Bolt Rotor/Starter Kit    |
| 43       | 5-4460   | 1    | Washer - Fender           |
| 57       | 94-6926  | 3    | Bolt                      |
| 58       | 94-1926  | 21   | Bolt                      |
| 59       | 94-1927  | 2    | Pin                       |
| 83       | 94-1930  | 1    | Jackshaft/Pinion Gear ASM |
| 85       | 94-6956  | 1    | Jackshaft                 |
| 88       | 94-1932  | 2    | Capscrew                  |
| 89       | 94-1933  | 2    | Washer                    |
| 134      | 93-3807  | 1    | Nut - Castle              |

| Ref. No. | Part No. | Qty. | Description  |
|----------|----------|------|--------------|
| 135      | 3272-7   | 1    | Pin - Cotter |
| 140      | 3296-20  | 1    | Nut - Lock   |





★ **REQUIRES SPECIAL TOOLS TO INSTALL. SEE REPAIR INSTRUCTION MANUAL.**

Assemblies include all parts shown in frames.

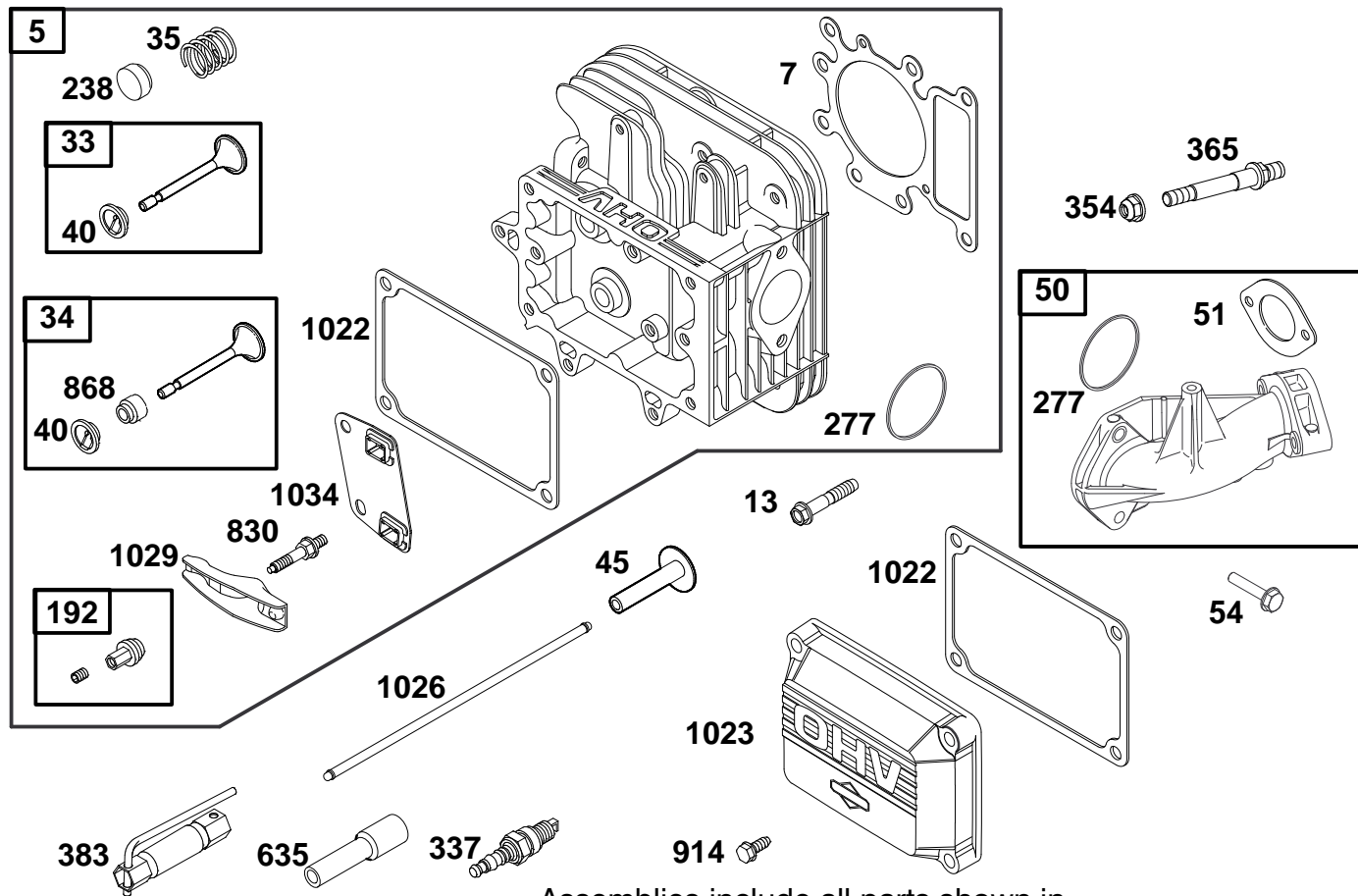
## ENGINE BRIGGS & STRATTON MODEL 312777-0128-E1

| Ref. No. | Part No. | Description       | No. Used |
|----------|----------|-------------------|----------|
| 1        | 690156   | Cylinder Assembly | 1        |
| 2        | 399265   | Bushing/Seal Kit  | 1        |
| 3        | ★391086  | Seal-Oil          | 1        |
| 8        | 495735   | Breather Assembly | 1        |
| 9        | ★27803   | Gasket-Breather   | 1        |
| 10       | 691666   | Screw-Hex.        | 1        |
| 11       | 281246   | Tube-Breather     | 1        |

| Ref. No. | Part No. | Description            | No. Used |
|----------|----------|------------------------|----------|
| 87       | ★491323  | Seal-Governor Shaft    | 1        |
| 306      | 225020   | Shield-Cylinder        | 1        |
| 307      | 94930    | Screw-Hex.             | 1        |
| 552      | 491986   | Bushing-Governor Crank | 1        |
| 718      | 230192   | Pin-Locating           | 1        |
| 1019     | 690180   | Label Kit              | 1        |
| 1058     | 273683   | Owner's Manual         | 1        |

★ Included in Gasket Set-Ref. 358.  
 Δ Included in Valve Overhaul Kit-Ref. 1033.

● Included in Carburetor Kit-Ref. 121.  
 ◆ Included in Carburetor Gasket Set-Ref. 977.  
 ■ Included in Kits ★ Δ ● ◆.



Assemblies include all parts shown in frames.

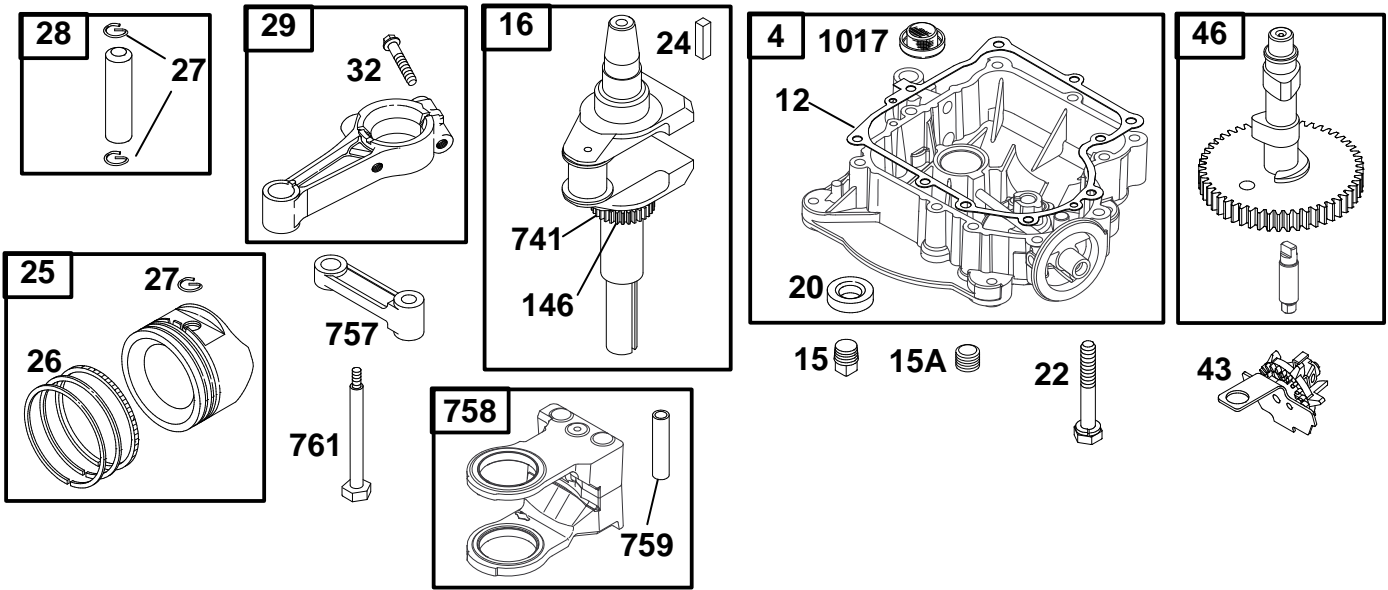
## ENGINE BRIGGS & STRATTON MODEL 312777-0128-E1

| Ref. No. | Part No. | Description          | No. Used |
|----------|----------|----------------------|----------|
| 5        | 690188   | Head-Cylinder        | 1        |
| 7        | Δ★692410 | Gasket-Cylinder Head | 1        |
| 13       | 690360   | Screw-Hex.           | 1        |
| 33       | 495856   | Valve-Exhaust        | 1        |
| 34       | 495857   | Valve-Intake         | 1        |
| 35       | 262811   | Spring-Valve         | 1        |
| 40       | 224641   | Retainer-Valve       | 1        |
| 45       | 262411   | Tappet-Valve         | 1        |
| 50       | 690193   | Manifold-Intake      | 1        |
| 51       | ■273650  | Gasket-Intake        | 1        |
| 54       | 95160    | Screw-Hex.           | 1        |
| 192      | 492160   | Adjuster-Rocker Arm  | 1        |
| 238      | 262836   | Cap-Valve            | 1        |
| 277      | Δ★692138 | Seal-O-Ring          | 1        |

| Ref. No. | Part No. | Description             | No. Used |
|----------|----------|-------------------------|----------|
| 337      | 491055   | Plug-Spark              | 1        |
| 354      | 94010    | Nut-Hex.                | 1        |
| 365      | 690227   | Stud-Carburetor Mtg.    | 1        |
| 383      | 89838    | Wrench-Spark Plug       | 1        |
| 635      | 280872   | Boot-Spark Plug         | 1        |
| 830      | 94555    | Stud-Rocker Arm         | 1        |
| 868      | Δ★499236 | Seal-Valve              | 1        |
| 914      | 94682    | Screw-Hex.              | 1        |
| 1022     | Δ★272475 | Gasket-Rocker Cover     | 1        |
| 1023     | 690388   | Cover-Rocker            | 1        |
| 1026     | 494432   | Rod-Push                | 1        |
| 1029     | 224554   | Intake Rod-Push Exhaust | 1        |
| 1034     | 495248   | Arm-Rocker              | 1        |
|          |          | Guide-Push Rod          | 1        |

★ Included in Gasket Set-Ref. 358.  
 Δ Included in Valve Overhaul Kit-Ref. 1033.

● Included in Carburetor Kit-Ref. 121.  
 ◆ Included in Carburetor Gasket Set-Ref. 977.  
 ■ Included in Kits ★ Δ ● ◆.



Assemblies include all parts shown in frames.

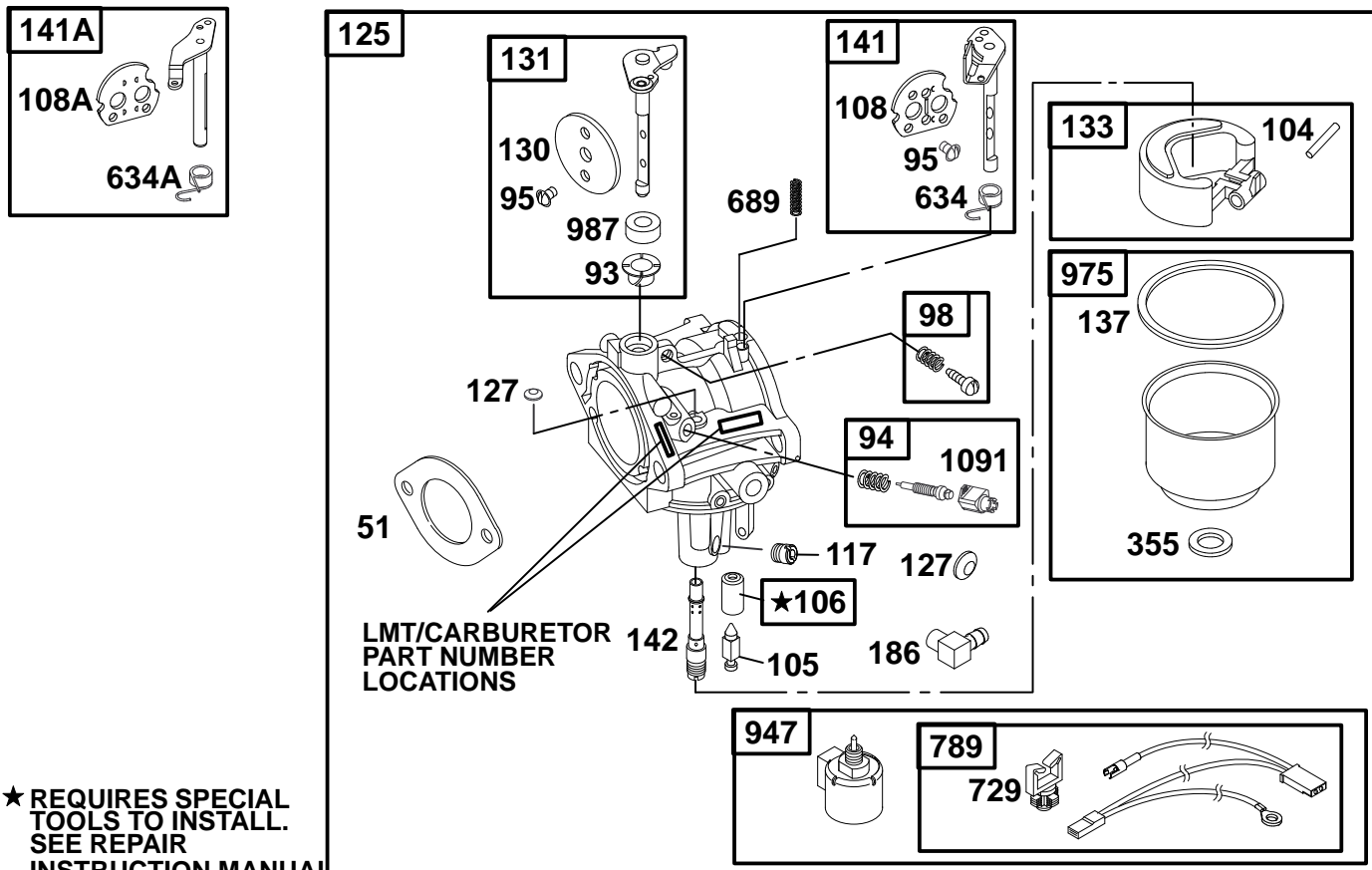
## ENGINE BRIGGS & STRATTON MODEL 312777-0128-E1

| Ref. No. | Part No. | Description                    | No. Used |
|----------|----------|--------------------------------|----------|
| 4        | 693582   | Sump-Engine                    | 1        |
| 12       | ★271916  | Gasket-Crankcase<br>015" Thick | 1        |
|          |          | Gasket-Crankcase<br>005" Thick | 1        |
|          |          | Gasket-Crankcase<br>009" Thick | 1        |
| 15       | 94239    | Plug-Oil Drain                 | 1        |
| 15A      | 91488    | Plug-Oil Drain                 | 1        |
| 16       | 690136   | Crankshaft                     | 1        |
| 20       | ★291675  | Seal-Oil                       | 1        |
| 22       | 692125   | Screw-Hex.                     | 1        |
| 24       | 222698   | Key-Flywheel                   | 1        |
| 25       | 692271   | Piston Assembly Standard       | 1        |
|          |          | Piston Assy .010" O.S.         | 1        |
|          |          | Piston Assy .020" O.S.         | 1        |
|          |          | Piston Assy .030" O.S.         | 1        |

| Ref. No. | Part No. | Description                       | No. Used |
|----------|----------|-----------------------------------|----------|
| 26       | 690162   | Ring Set Standard                 | 1        |
|          |          | Ring Set .010" O.S.               | 1        |
|          |          | Ring Set .020" O.S.               | 1        |
|          |          | Ring Set .030" O.S.               | 1        |
| 27       | 263129   | Lock-Piston Pin                   | 1        |
| 28       | 498319   | Pin-Piston Standard               | 1        |
|          |          | Pin-Piston .005" O.S.             | 1        |
| 29       | 692419   | Rod-Connecting Standard           | 1        |
|          |          | Rod-Connecting .020"<br>Undersize | 1        |
| 32       | 692852   | Screw-Connecting Rod              | 1        |
| 43       | 490815   | Governor/Oil Slinger              | 1        |
| 46       | 693450   | Gear-Cam                          | 1        |
| 146      | 94196    | Key-Timing                        | 1        |
| 741      | 262932   | Gear-Timing                       | 1        |
| 757      | 213998   | Link-Counterweight                | 1        |
| 758      | 499994   | Counterweight                     | 1        |
| 759      | 230787   | Pin-Counterweight                 | 1        |
| 761      | 94593    | Screw-Hex.                        | 1        |
| 1017     | 693292   | Screen-Oil Pump                   | 1        |

★ Included in Gasket Set-Ref. 358.  
 Δ Included in Valve Overhaul Kit-Ref. 1033.

● Included in Carburetor Kit-Ref. 121.  
 ◆ Included in Carburetor Gasket Set-Ref. 977.  
 ■ Included in Kits ★ Δ ◆



★ REQUIRES SPECIAL TOOLS TO INSTALL. SEE REPAIR INSTRUCTION MANUAL

Assemblies include all parts shown in frames.

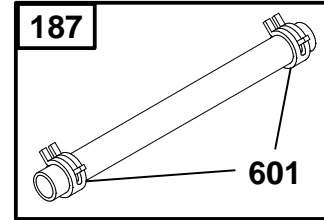
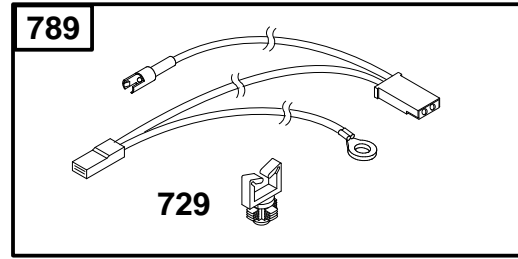
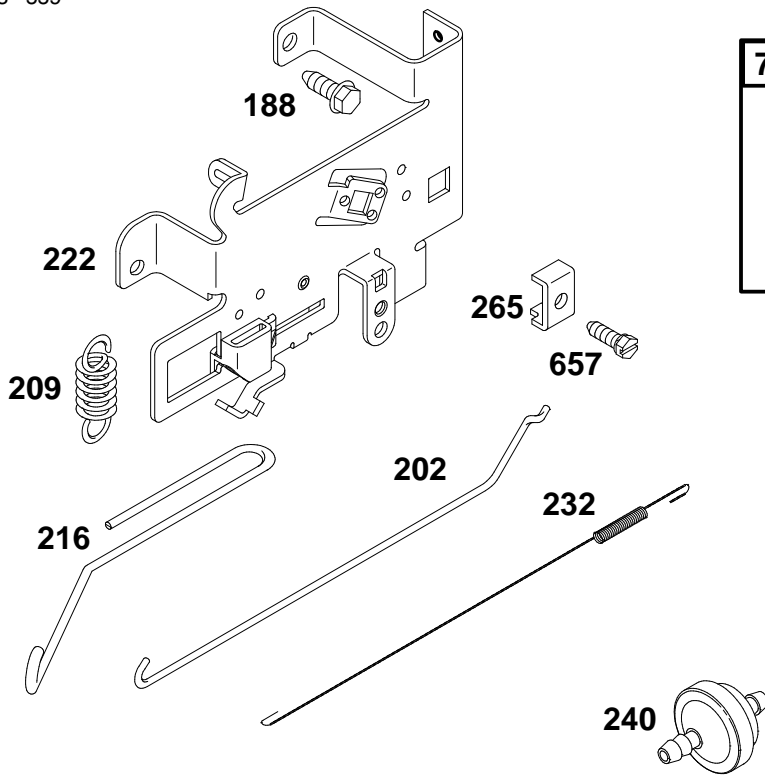
## ENGINE BRIGGS & STRATTON MODEL 312777-0128-E1

| Ref. No. | Part No. | Description                      | No. Used |
|----------|----------|----------------------------------|----------|
| 51       | ●273650  | Gasket-Carburetor                | 1        |
| 93       | ●281346  | Bushing-Throttle Shaft           | 1        |
| 94       | 498030   | Valve-Idle Adjust                | 1        |
| 95       | ●94098   | Screw-Round Head                 | 1        |
| 98       | 495800   | Screw-Idle Adjust                | 1        |
| 104      | ●231789  | Pin-Float Hinge                  | 1        |
| 105      | ●231855  | Valve-Inlet Needle               | 1        |
| 106      | ●231854  | Seat-Inlet                       | 1        |
| 108      | 224558   | Valve-Choke (Manual)             | 1        |
| 108A     | 224540   | Valve-Choke (Remote)             | 1        |
| 117      | ●232118  | Jet-Main (Standard)              | 1        |
|          |          | Jet-Main (High Altitude)         | 1        |
| 125      | 499153   | Carburetor                       | 1        |
| 127      | ●        | Plug-Welch<br>(Sold in Kit Only) | 1        |
| 130      | 224539   | Valve-Throttle                   | 1        |

| Ref. No. | Part No. | Description          | No. Used |
|----------|----------|----------------------|----------|
| 131      | 494379   | Shaft-Throttle       | 1        |
| 133      | 494381   | Float-Carburetor     | 1        |
| 137      | ●◆281165 | Gasket-Float Bowl    | 1        |
| 141      | 495097   | Shaft-Choke (Manual) | 1        |
| 141A     | 495931   | Shaft-Choke (Remote) | 1        |
| 142      | ●232117  | Nozzle-Carburetor    | 1        |
| 186      | 493496   | Elbow-Fuel Pipe      | 1        |
| 355      | ●◆281164 | Washer-Float Bowl    | 1        |
| 634      | ●494453  | Seal-Spring Assembly | 1        |
| 634A     | ●494455  | Seal-Spring Assembly | 1        |
| 689      | 262715   | Spring-Friction      | 1        |
| 789      | 497708   | Harness-Wiring       | 1        |
| 947      | 497672   | Solenoid             | 1        |
| 975      | 495933   | Bowl-Float           | 1        |
| 987      | ●281166  | Seal-Throttle Shaft  | 1        |
| 1091     | 691333   | Cap-Limiter          | 1        |

★ Included in Gasket Set-Ref. 358.  
 Δ Included in Valve Overhaul Kit-Ref. 1033.

● Included in Carburetor Kit-Ref. 121.  
 ◆ Included in Carburetor Gasket Set-Ref. 977.  
 ■ Included in Kits ★ Δ ● ◆.



Assemblies include all parts shown in frames.

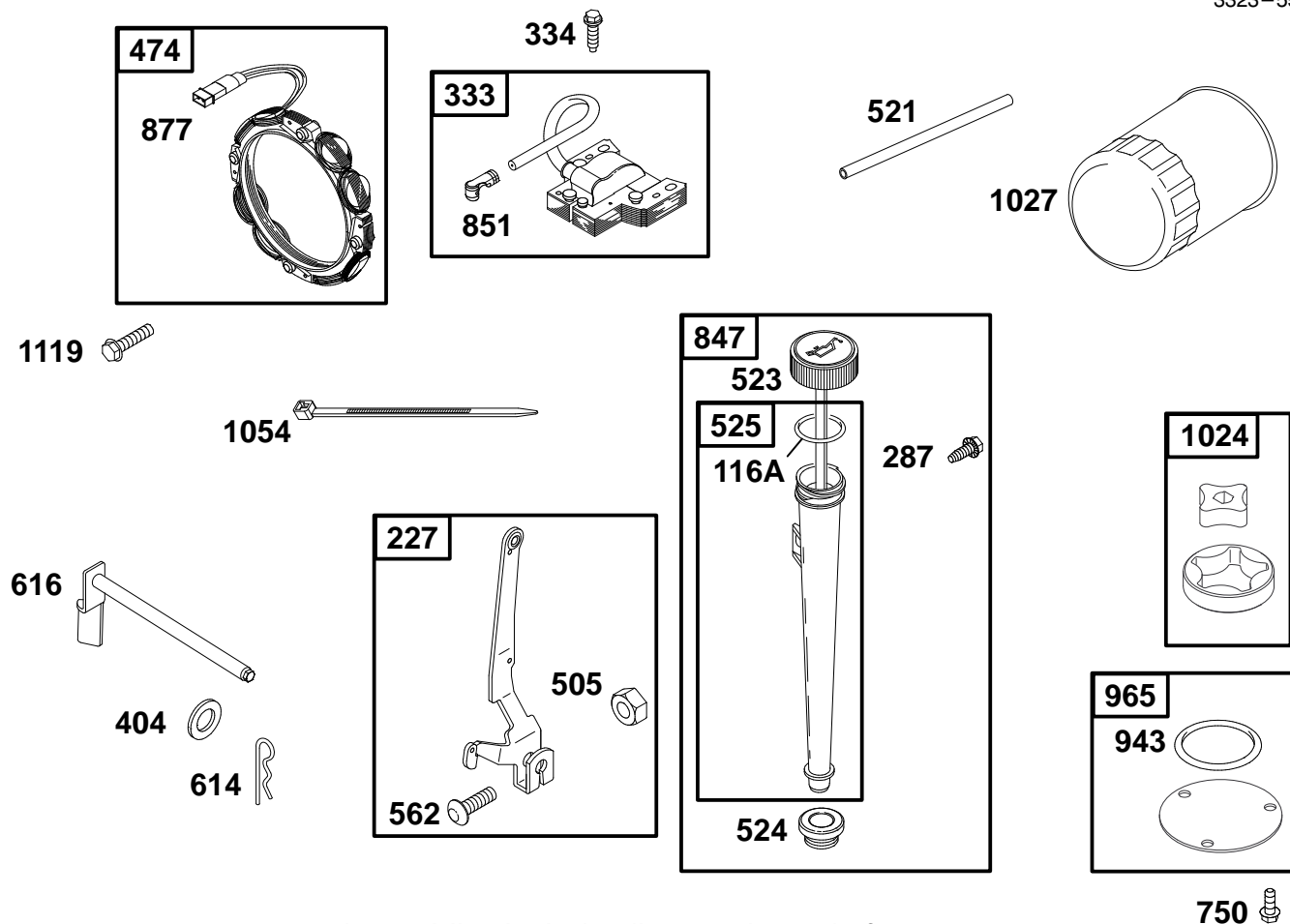
## ENGINE BRIGGS & STRATTON MODEL 312777-0128-E1

| Ref. No. | Part No. | Description                         | No. Used |
|----------|----------|-------------------------------------|----------|
| 187      | 298049   | Line-Fuel<br>Cut to Required Length | 1        |
| 188      | 94929    | Screw-Hex.                          | 1        |
| 202      | 262767   | Link-Choke                          | 1        |
| 209      | 260695   | Spring-Governor                     | 1        |
| 216      | 262766   | Link-Choke                          | 1        |
| 222      | 694042   | Bracket-Control                     | 1        |
| 232      | 262785   | Spring-Link                         | 1        |

| Ref. No. | Part No. | Description        | No. Used |
|----------|----------|--------------------|----------|
| 240      | 394358   | Filter-Fuel        | 1        |
| 265      | 221535   | Clamp-Casing       | 1        |
| 601      | 95162    | Clamp-Hose         | 1        |
| 657      | 94906    | Screw-Slotted Hex. | 1        |
| 729      | 281390   | Clip-Wire          | 1        |
| 789      | 497708   | Harness-Wiring     | 1        |

★ Included in Gasket Set-Ref. 358.  
 Δ Included in Valve Overhaul Kit-Ref. 1033.

● Included in Carburetor Kit-Ref. 121.  
 ◆ Included in Carburetor Gasket Set-Ref. 977.  
 ■ Included in Kits ★ Δ ● ◆.



Assemblies include all parts shown in frames.

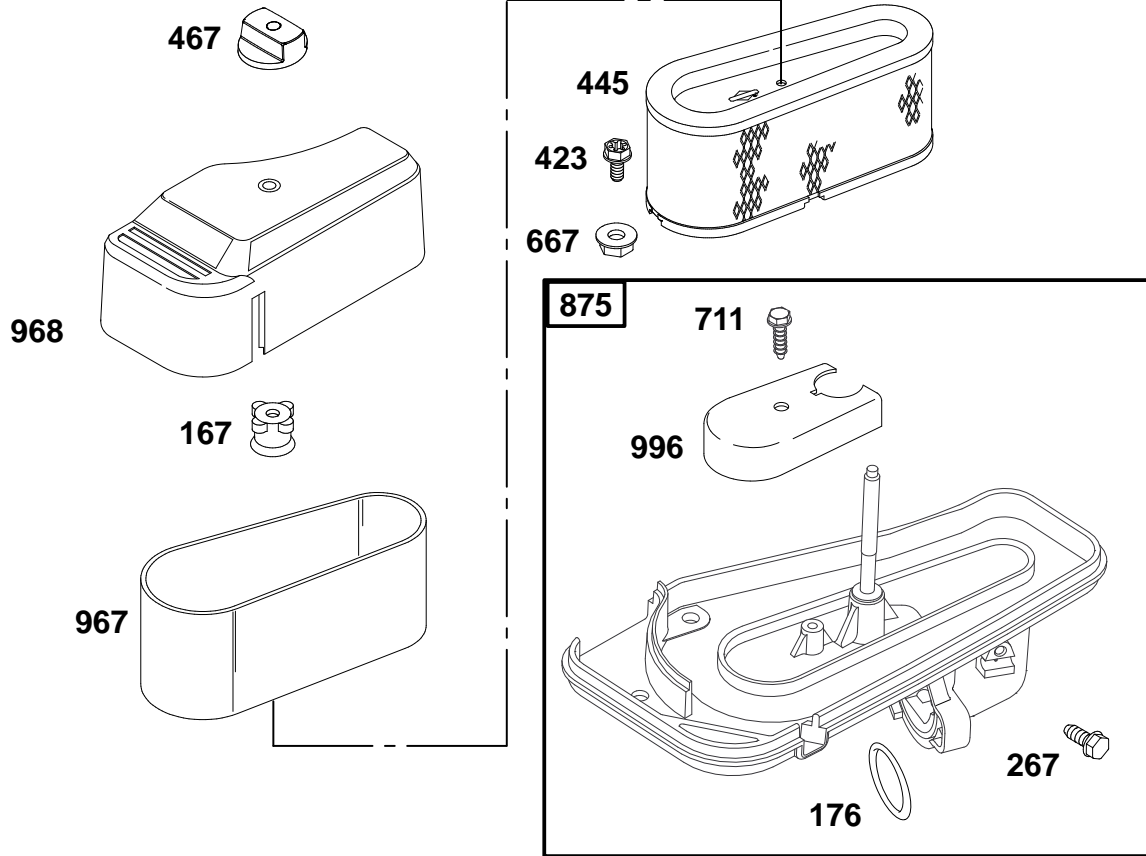
## ENGINE BRIGGS & STRATTON MODEL 312777-0128-E1

| Ref. No. | Part No. | Description         | No. Used |
|----------|----------|---------------------|----------|
| 116A     | ★270920  | Seal-O-Ring         | 1        |
| 227      | 493935   | Lever-Governor      | 1        |
| 287      | 94903    | Screw-Shoulder      | 1        |
| 333      | 495859   | Armature-Magneto    | 1        |
| 334      | 94731    | Screw-Hex.          | 1        |
| 404      | 94927    | Washer-Flat         | 1        |
| 474      | 393474   | Alternator          | 1        |
| 505      | 231978   | Nut-Hex.            | 1        |
| 521      | 690581   | Shield-Cable        | 1        |
| 523      | 495230   | Dipstick            | 1        |
| 524      | ★281370  | Seal-Fill Tube      | 1        |
| 525      | 691398   | Tube-Oil Fill       | 1        |
| 562      | 94907    | Bolt-Governor Lever | 1        |

| Ref. No. | Part No. | Description            | No. Used |
|----------|----------|------------------------|----------|
| 614      | 93306    | Pin-Cotter             | 1        |
| 616      | 495157   | Crank-Governor         | 1        |
| 750      | 691033   | Screw-Hex.             | 1        |
| 847      | 496415   | Dipstick/Tube Assembly | 1        |
| 851      | 224110   | Terminal-Cable         | 1        |
| 877      | 393456   | Connector-Alt. Output  | 1        |
| 943      | ★280801  | Seal-O-Ring            | 1        |
| 965      | 499613   | Cover-Pump             | 1        |
| 1024     | 499054   | Pump-Oil               | 1        |
| 1027     | 492932   | Filter-Oil             | 1        |
| 1054     | 280275   | Tie-Cable              | 1        |
| 1119     | 93621    | Screw-Hex.             | 1        |

★ Included in Gasket Set-Ref. 358.  
 Δ Included in Valve Overhaul Kit-Ref. 1033.

● Included in Carburetor Kit-Ref. 121.  
 ◆ Included in Carburetor Gasket Set-Ref. 977.  
 ■ Included in Kits ★ Δ ● ◆.



Assemblies include all parts shown in frames.

## ENGINE BRIGGS & STRATTON MODEL 312777-0128-E1

| Ref. No. | Part No. | Description                | No. Used |
|----------|----------|----------------------------|----------|
| 167      | 281051   | Knob-Air Cleaner           | 1        |
| 176      | ★281106  | Gasket-Air Cleaner         | 1        |
| 267      | 693675   | Screw                      | 1        |
| 423      | 692129   | Screw-Torx® Hex.           | 1        |
| 467      | 493903   | Nut-Air Cleaner            | 1        |
| 445      | 496894   | Filter-Air Cleaner Element | 1        |

| Ref. No. | Part No. | Description              | No. Used |
|----------|----------|--------------------------|----------|
| 667      | 94010    | Nut                      | 1        |
| 711      | 94704    | Screw                    | 1        |
| 875      | 693686   | Base-Air Cleaner Plastic | 1        |
| 967      | 272403   | Filter-Pre-Cleaner       | 1        |
| 968      | 692355   | Cover-Air Cleaner        | 1        |
| 996      | 690678   | Shield-Carburetor        | 1        |

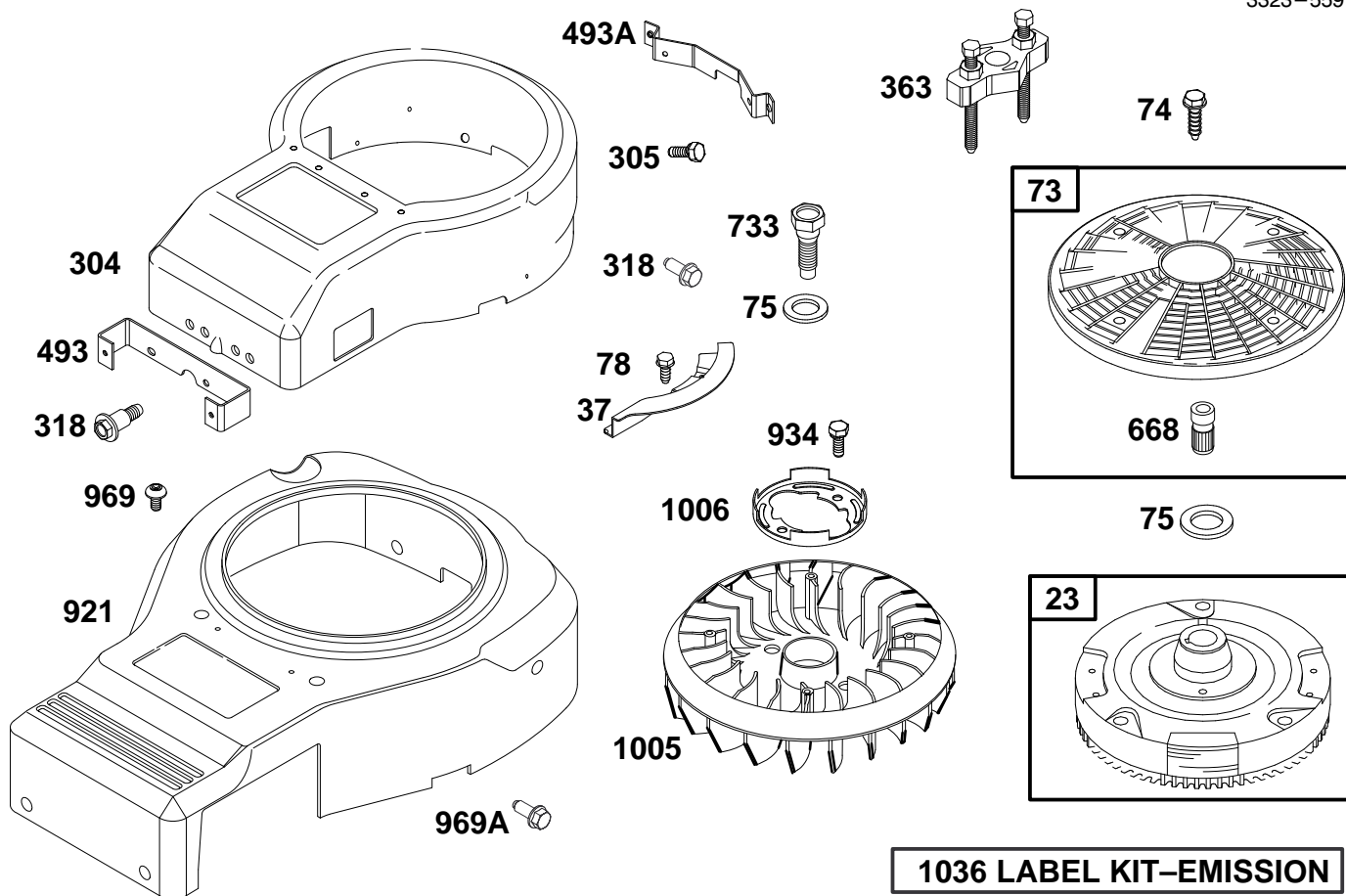
★ Included in Gasket Set-Ref. 358.

△ Included in Valve Overhaul Kit-Ref. 1033.

● Included in Carburetor Kit-Ref. 121.

◆ Included in Carburetor Gasket Set-Ref. 977.

■ Included in Kits ★ △ ● ◆.



**1036 LABEL KIT-EMISSION**

Assemblies include all parts shown in frames.

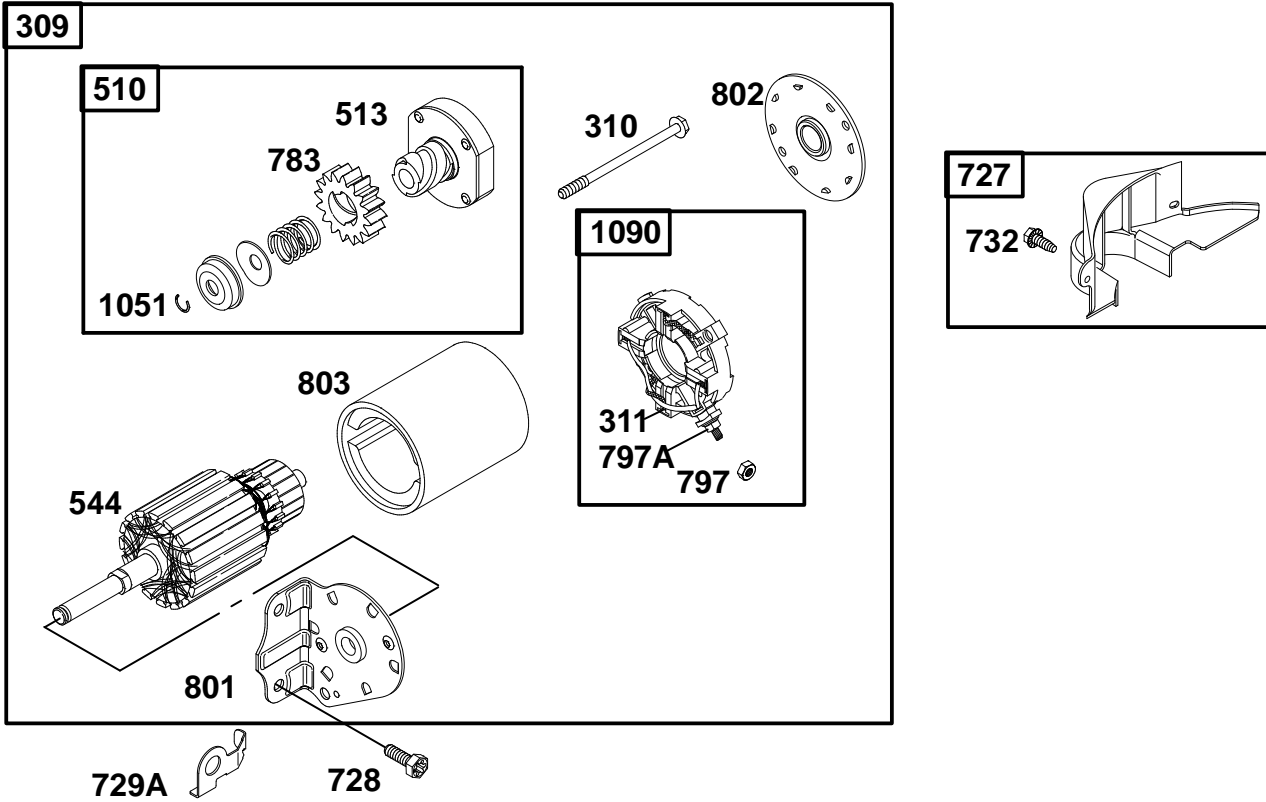
**ENGINE BRIGGS & STRATTON MODEL 312777-0128-E1**

| Ref. No. | Part No. | Description            | No. Used |
|----------|----------|------------------------|----------|
| 23       | 693557   | Flywheel               | 1        |
| 37       | 690456   | Guard-Flywheel         | 1        |
| 73       | 494439   | Screen-Rotating        | 1        |
| 75       | 225136   | Washer-Flywheel        | 1        |
| 74       | 94821    | Screw-Torx®            | 1        |
| 78       | 94896    | Screw-Hex.             | 1        |
| 304      | 690497   | Housing-Blower         | 1        |
| 305      | 690960   | Screw-Blower Housing   | 1        |
| 318      | 692127   | Screw-Shoulder         | 1        |
| 363      | 19203    | Flywheel Puller        | 1        |
| 493      | 224968   | Bracket-Mounting Front | 1        |

| Ref. No. | Part No. | Description           | No. Used |
|----------|----------|-----------------------|----------|
| 493A     | 224969   | Bracket-Mounting Rear | 1        |
| 668      | 805402   | Spacer                | 1        |
| 733      | 94673    | Screw-Shoulder        | 1        |
| 921      | 690496   | Cover-Blower Housing  | 1        |
| 934      | 94627    | Screw-Hex.            | 1        |
| 969      | 690365   | Screw-Torx®           | 1        |
| 969A     | 690960   | Screw-Hex.            | 1        |
| 1005     | 281400   | Fan-Flywheel          | 1        |
| 1006     | 690452   | Retainer-Fan          | 1        |
| 1036     | 694332   | Label Kit-Emission    | 1        |

★ Included in Gasket Set-Ref. 358.  
 Δ Included in Valve Overhaul Kit-Ref. 1033.

● Included in Carburetor Kit-Ref. 121.  
 ◆ Included in Carburetor Gasket Set-Ref. 977.  
 ■ Included in Kits ★ Δ ● ◆.



Assemblies include all parts shown in frames.

## ENGINE BRIGGS & STRATTON MODEL 312777-0128-E1

| Ref. No. | Part No. | Description                    | No. Used |
|----------|----------|--------------------------------|----------|
| 309      | 693551   | Motor—Starter                  | 1        |
| 310      | 94003    | Screw (Starter Motor)          | 1        |
| 311      | 497608   | Brush Set                      | 1        |
| 510      | 693699   | Drive—Starter                  | 1        |
| 513      | 398003   | Clutch—Drive                   | 1        |
| 544      | 497603   | Armature—Starter               | 1        |
| 697      | 690372   | Screw (Starter Motor Mounting) | 1        |
| 727      | 490324   | Cover—Starter Drive            | 1        |
| 729A     | 691224   | Clip—Wire                      | 1        |

| Ref. No. | Part No. | Description                 | No. Used |
|----------|----------|-----------------------------|----------|
| 732      | 691097   | Screw (Starter Drive Cover) | 1        |
| 783      | 693713   | Starter—Pinion (Steel)      | 1        |
| 797      | 92278    | Nut (Starter Terminal)      | 1        |
| 797A     | 693167   | Nut (Starter Terminal)      | 1        |
| 801      | 497626   | Cap—Drive                   | 1        |
| 802      | 497607   | Cap—End                     | 1        |
| 803      | 693757   | Housing—Starter             | 1        |
| 1051     | 263080   | Ring—Retainer               | 1        |
| 1090     | 497605   | Retainer—Brush              | 1        |

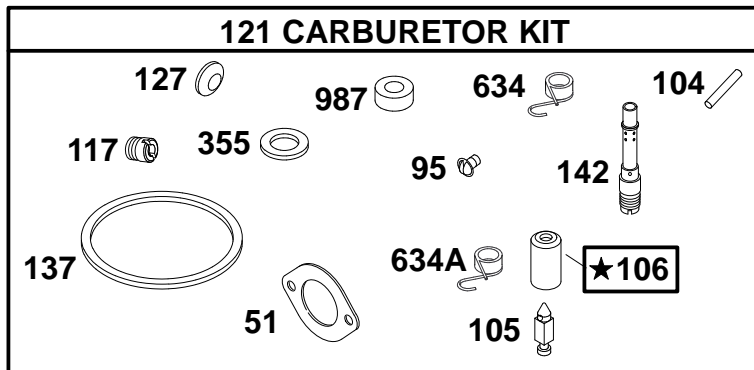
★ Included in Gasket Set—Ref. 358.

△ Included in Valve Overhaul Kit—Ref. 1033.

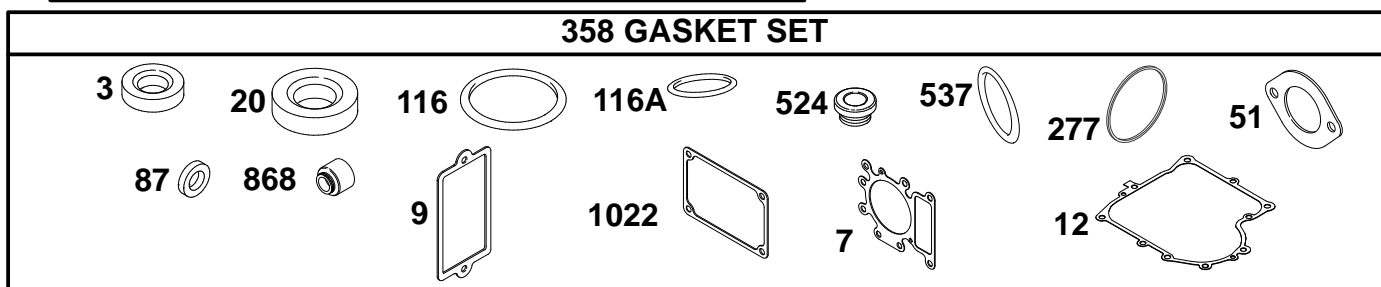
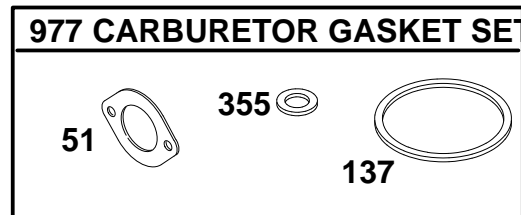
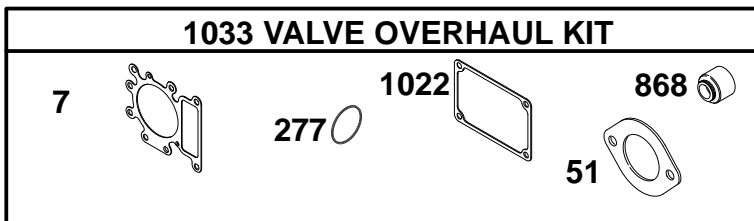
● Included in Carburetor Kit—Ref. 121.

◆ Included in Carburetor Gasket Set—Ref. 977.

■ Included in Kits ★ △ ◆



★ REQUIRES SPECIAL TOOLS TO INSTALL. SEE REPAIR INSTRUCTION MANUAL.



Assemblies include all parts shown in frames.

## ENGINE BRIGGS & STRATTON MODEL 312777-0128-E1

| Ref. No. | Part No. | Description                     | No. Used |
|----------|----------|---------------------------------|----------|
| 3        | ★391086  | Seal-Oil                        | 1        |
| 7        | Δ★692410 | Gasket-Cylinder Head            | 1        |
| 9        | ★27803   | Gasket-Breather                 | 1        |
| 12       | ★271916  | Gasket-Crankcase<br>.015" Thick | 1        |
|          |          | Gasket-Crankcase<br>.005" Thick | 1        |
|          |          | Gasket-Crankcase<br>.009" Thick | 1        |
| 20       | ★291675  | Seal-Oil                        | 1        |
| 51       | ■273650  | Gasket-Intake                   | 1        |
| 87       | ★491323  | Seal-Governor Shaft             | 1        |
| 95       | ●94098   | Screw-Choke/Throttle            | 1        |
| 104      | ●231789  | Pin-Float Hinge                 | 1        |
| 105      | ●231855  | Valve-Needle                    | 1        |
| 106      | ●231854  | Seat-Inlet                      | 1        |
| 116      | ★280801  | Seal-O-Ring                     | 1        |
| 116A     | ★270920  | Seal-O-Ring                     | 1        |
| 117      | ●232118  | Jet-Main                        | 1        |

| Ref. No. | Part No. | Description                     | No. Used |
|----------|----------|---------------------------------|----------|
| 121      | 690191   | Carburetor Kit                  | 1        |
| 127      | ●        | Plug-Welch<br>Sold In Kit Only  | 1        |
| 137      | ◆●281165 | Gasket-Float Bowl               | 1        |
| 142      | ●231117  | Nozzle-Carburetor               | 1        |
| 277      | Δ★692138 | Seal-O-Ring                     | 1        |
| 355      | ◆●281164 | Washer-Seal                     | 1        |
| 358      | 690189   | Gasket Set                      | 1        |
| 524      | ★281370  | Seal-Fill Tube                  | 1        |
| 537      | ★281106  | Gasket-Air Cleaner              | 1        |
| 634      | ●494453  | Seal-Spring<br>Assembly LMT 155 | 1        |
| 634A     | ●494455  | Seal-Spring<br>Assembly LMT 154 | 1        |
| 868      | Δ★499236 | Seal-Valve                      | 1        |
| 977      | 690192   | Gasket Set-Carburetor           | 1        |
| 987      | ●281166  | Seal-Throttle Shaft             | 1        |
| 1022     | Δ★272475 | Gasket-Rocker Cover             | 1        |
| 1033     | 690190   | Kit-Valve Overhaul              | 1        |

★ Included in Gasket Set-Ref. 358.  
Δ Included in Valve Overhaul Kit-Ref. 1033.

● Included in Carburetor Kit-Ref. 121.  
◆ Included in Carburetor Gasket Set-Ref. 977.  
■ Included in Kits ★ Δ ● ◆.





