



44" Side Discharge Mower

Model No. 30149—20000001 and Up

Parts Catalog

Ordering Replacement Parts

To order replacement parts, please supply: the part number, the quantity, and the description of each part desired.

Understanding Reference Numbers

Each identified part in an illustration has a reference number. The reference number for a part also appears in the parts list, along with other information about the part.

This catalog uses two special reference number formats, one to indicate parts in a service assembly and another to indicate the quantity of a given part in an illustration.

Service Assembly Reference Numbers

Parts in service assemblies have reference numbers in the form **a:b**. The **a** represents the reference number of the entire service assembly and the **b** represents a sequential number unique to each part within the service assembly.

For example, a wheel assembly might be identified by reference number **6**, the tire by **6:1**, the valve by **6:2**, and the wheel by **6:3**. When you order the assembly identified by reference number **6**, you receive all parts identified by reference numbers **6:1**, **6:2**, and **6:3**. However, you may also order any part individually.

Reference numbers of this type appear in illustrations and in part lists.

Reference Numbers Indicating Quantity

In an illustration, if a reference number indicates more than one part, the reference number has the form **nX y**. The **n** represents the quantity of the part, the **X** is the multiplication symbol, and the **y** represents the reference number.

For example, in an illustration, the reference number **2X 37** means that two of the parts identified by reference number **37** are indicated.

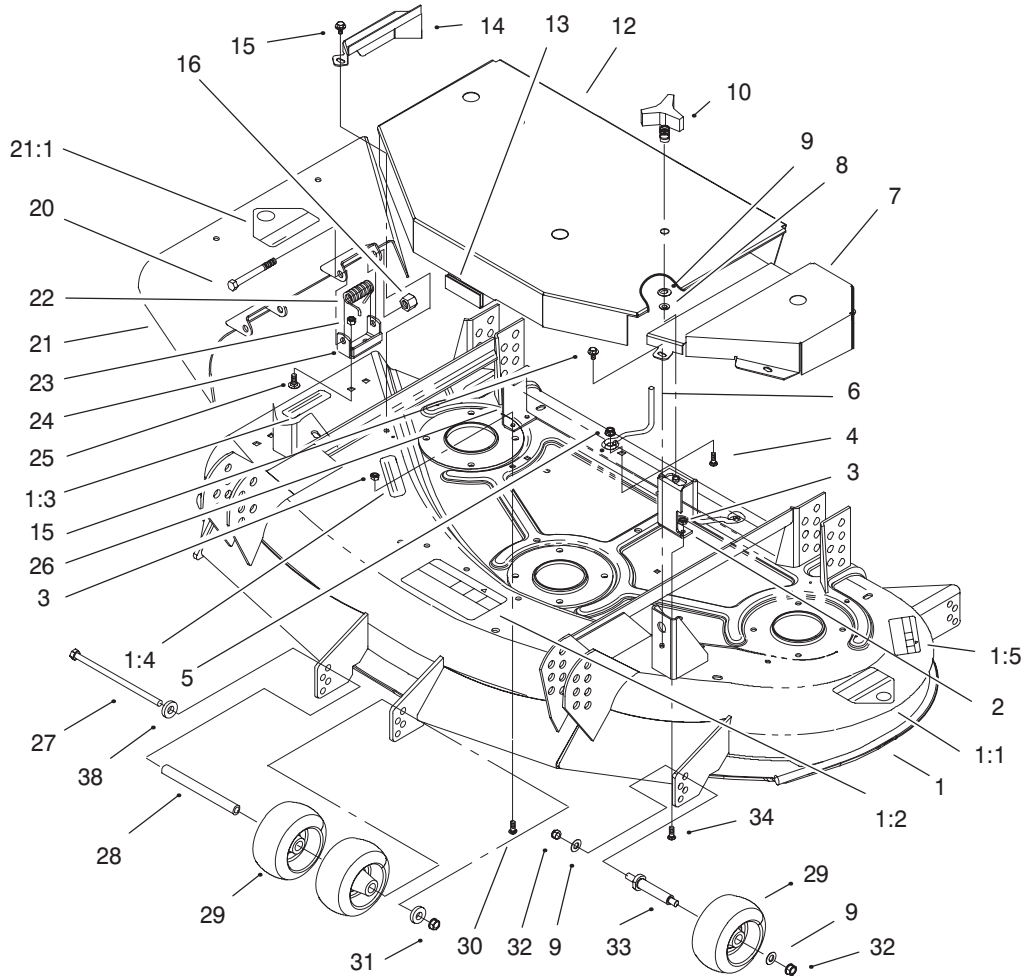
Contents

Description	Page	Description	Page
Deck And Cover Assembly	3	Spindle Assembly No. 67-7660	6
Spindle And Idlers Assembly	4	Carrier Frame Assembly	7
Spindle Assembly No. 67-7600	5	Belt And Decal Assembly	8

Part Description Abbreviations

Part descriptions in this catalog may include the following abbreviations.

Abbreviation	Meaning	Abbreviation	Meaning
AR	as required	INC	incorporated
ASM	assembly	LH	left hand
CARR	carriage	NI	nylon insert
DEG	degrees	PPH	Phillips pan head
FH	flat head	PTH	Phillips truss head
GA	gauge	PTO	power take off
HF	hex flange	RH	right hand
HH	hex head	SFH	slotted fillister head
HHF	hex head flange	SHH	slotted hex head
HLH	hex lag head	SQH	square head
HJ	hex jam	SHWH	slotted hex washer head
HOC	height-of-cut	SPH	slotted pan head
HS	hex socket	SRH	slotted round head
HSBH	hex socket button head	STD	standard
HSFH	hex socket flat head	TAP	self tapping
HSH	hex socket head	TTH	Torx truss head
HWH	hex washer head	WH	wing head
HWHTF	hex washer head thread forming		

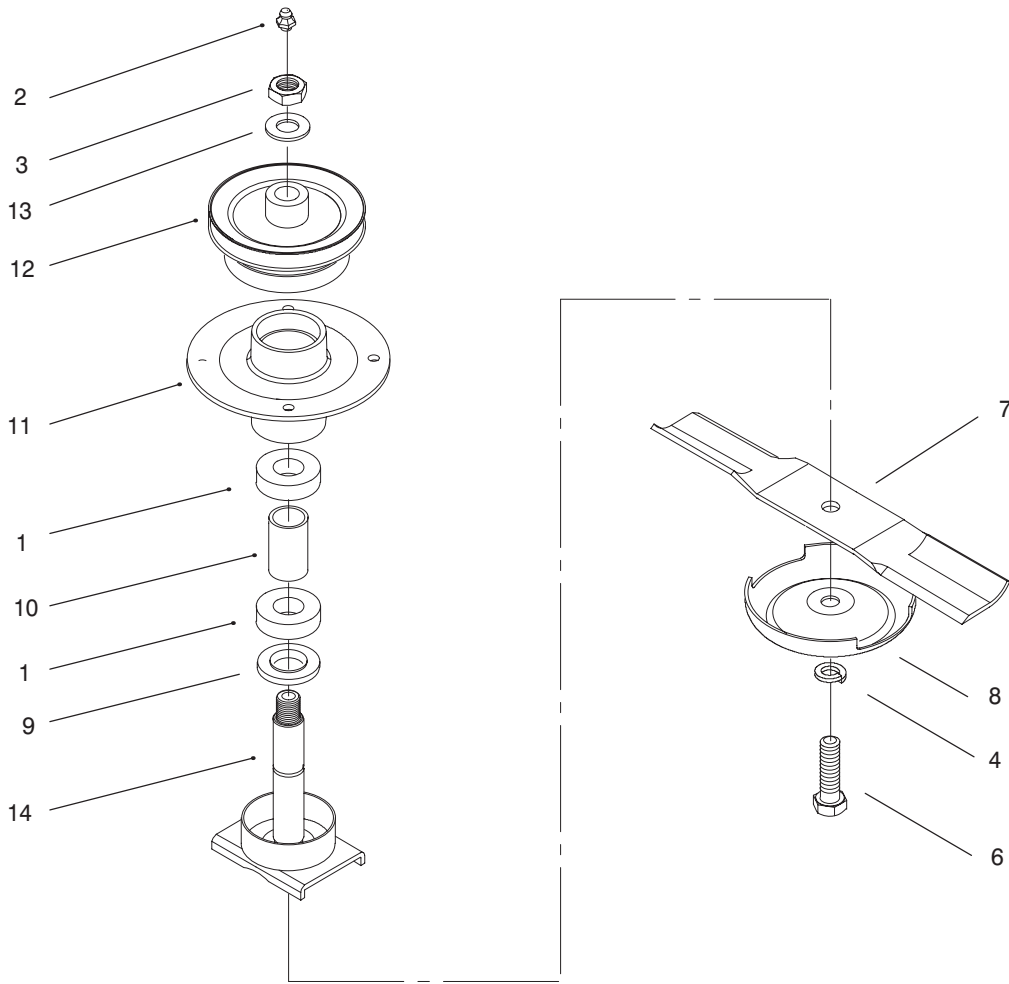


Sheet No.:2
C-2912

Deck And Cover Assembly

Ref. No.	Part No.	Qty.	Description
1	99-6448	1	Deck ASM
1:1	43-8480	1	Decal-Danger
1:2	66-1340	1	Decal-Danger
1:3	66-6380	1	Decal-Danger
1:4	67-5360	1	Decal-Danger
1:5	68-8340	1	Decal-Torque, Blade Bolt
2	54-3240-03	1	Bracket-Cover, LH
3	3296-42	4	Nut-Lock
4	3230-2	2	Screw-CARR
5	32128-13	2	Nut-HF
6	52-4780	2	Rod-Belt
7	54-2220-01	1	Cover-Deck, LH
8	32151-72	2	Ring-Retaining
9	3256-24	6	Washer-Flat
10	62-6520	2	Knob
12	54-3190-01	1	Cover-Center
13	29-0641	5	Jiffy Trim
14	54-2250-01	1	Cover-Deck, RH
15	46-8560	3	Screw-HHF
16	3296-5	2	Nut-Lock, NI
20	3211-15	2	Screw-HH
21	13-3899	1	Deflector
21:1	54-9220	1	Decal-Danger
22	40-6230	2	Spring
23	32152-1	4	Nut-Lock, NI

Ref. No.	Part No.	Qty.	Description
24	29-5590-01	2	Bracket-Pivot
25	3230-18	4	Screw-CARR
26	54-3230-03	1	Bracket-Cover, RH
27	322-50	1	Screw-Cap
28	98-5967	1	Spacer-Wheel
29	68-2730	4	Wheel-Gage
30	3229-1	2	Screw-CARR
31	3296-29	1	Nut-Lock, NI
32	3296-39	4	Nut-Lock, NI
33	99-2842	2	Spacer-Wheel
34	3229-3	2	Screw-CARR
38	3256-23	2	Washer-Flat

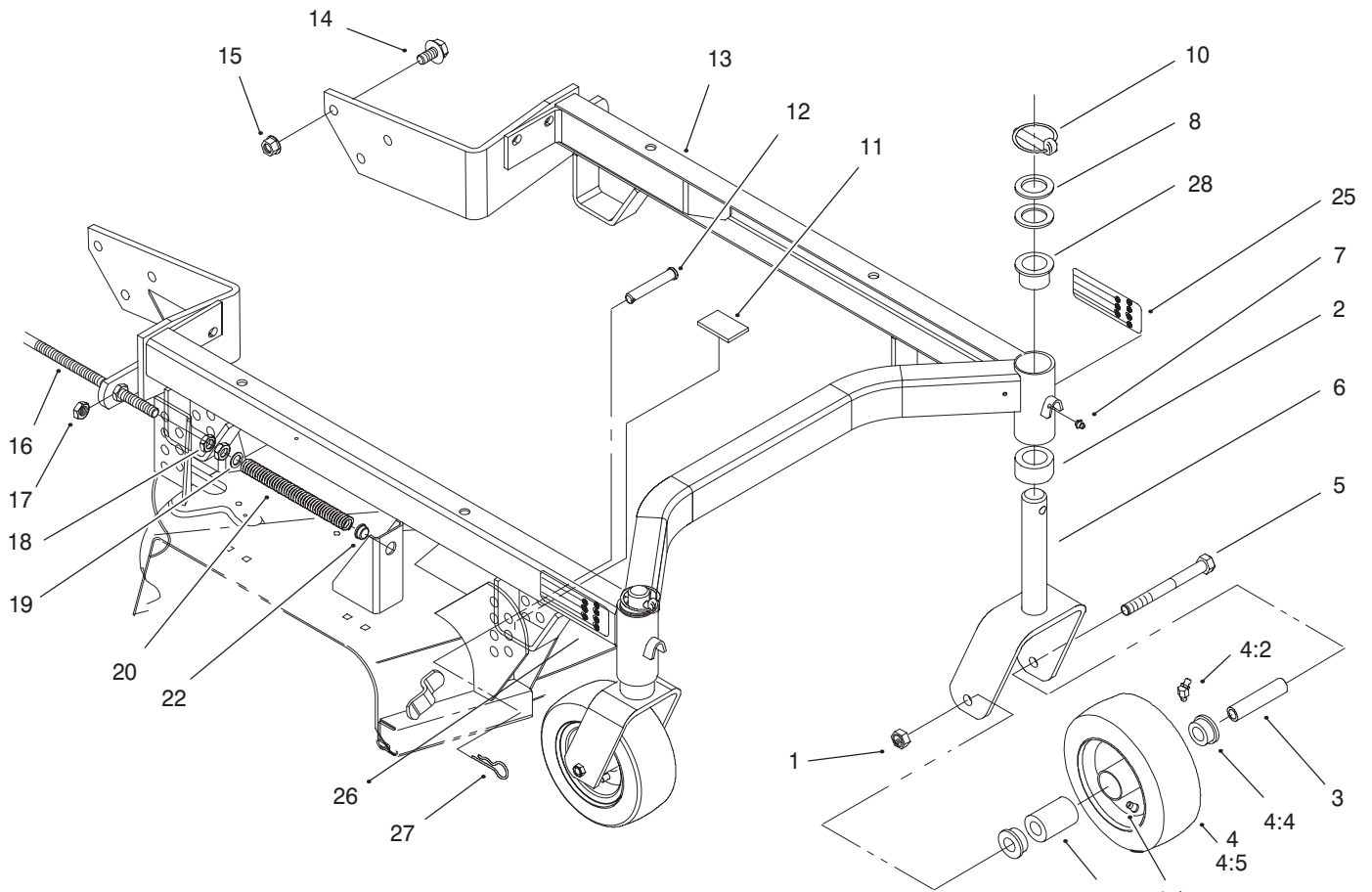


Sheet No.:A1
C-2922

Spindle Assembly No. 67-7600

Ref. No.	Part No.	Qty.	Description
1	251-257	2	Bearing
2	302-2	1	Fitting-Grease
3	32146-20	1	Nut-Jam
4	3253-8	1	Washer-Lock, Sp
6	51-4060	1	Screw-Blade
7	54-0010	1	Blade
8	67-7561	1	Cup-Scalp, Anti
9	67-7570	1	Spacer-Spindle
10	67-7580	1	Spacer-Bearing
11	67-7590	1	Spindle Housing
12	67-7650-03	1	Pulley ASM-Center
13	7-4150	1	Washer-Pinion
14	71-2790	1	Shaft-Spindle

Ref. No.	Part No.	Qty.	Description



Sheet No.:4
C-2924

Carrier Frame Assembly

Ref. No.	Part No.	Qty.	Description
1	32153-5	2	Nut-Lock
2	93-1166	2	Spacer-Castor
3	100-6453	2	Bushing-Spanner
4	100-6451	2	Castor Wheel ASM
4:1	232-27	1	Stem-Valve
4:2	302-11	1	Fitting-Lube,45°
4:3	83-4740	1	Bearing
4:4	62-5580	2	Bearing-Outside
4:5	100-6452	1	Tire-Tubeless
5	325-19	2	Screw-HH
6	100-6455-01	2	Castor Fork ASM
7	302-5	2	Fitting-Lube
8	3-6781	8	Washer-Thrust
10	3290-384	2	Pin-Lynch
11	74-0340	4	Cushion-Rubber
12	283-55	4	Pin-Clevis
13	17-0279-01	1	Carrier Frame ASM
14	3234-6	6	Screw-HHF
15	32128-23	6	Nut-HF
16	74-0310	2	Shaft-Adjusting
17	3296-45	2	Nut-Lock, NI
18	3218-5	4	Nut-Jam
19	41-8440	2	Washer
20	74-0290	2	Spring
22	256-156	2	Bushing-Flange
25	85-7450	1	Decal-HOC, LH

Ref. No.	Part No.	Qty.	Description
26	85-7460	1	Decal-HOC, RH
27	3290-355	4	Pin-Hair
28	94-1291	4	Bushing-Special

