

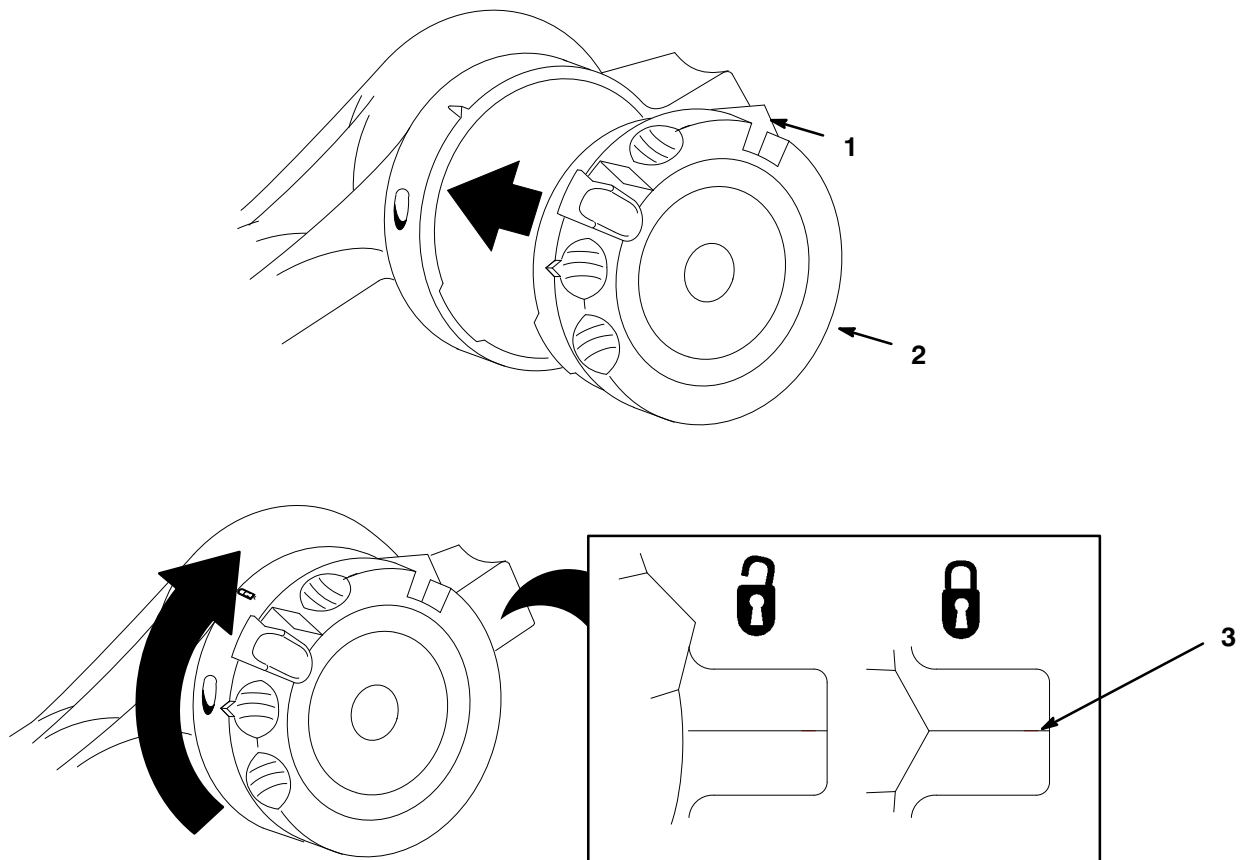


Inlet Cover Change

Model No. 51587—99000001 &
Up

Addendum

The inlet cover on your blower has changed since your Operator's Manual was printed. There is now an arrow shaped projection (1) from the side of the inlet cover (2) that must be lined up with the seam (3) at the back of the blower to secure the cover and enable the blower. The following figure illustrates this procedure:



Place this addendum with the Operator's Manual for future reference.