



Z-Master 250 Series
Z256E with 72" Side Discharge Mower
Model No. 74219—20000001 and Up

Parts Catalog

Ordering Replacement Parts

To order replacement parts, please supply: the part number, the quantity, and the description of each part desired.

Understanding Reference Numbers

Each identified part in an illustration has a reference number. The reference number for a part also appears in the parts list, along with other information about the part.

This catalog uses two special reference number formats, one to indicate parts in a service assembly and another to indicate the quantity of a given part in an illustration.

Service Assembly Reference Numbers

Parts in service assemblies have reference numbers in the form **a:b**. The **a** represents the reference number of the entire service assembly and the **b** represents a sequential number unique to each part within the service assembly.

For example, a wheel assembly might be identified by reference number **6**, the tire by **6:1**, the valve by **6:2**, and the wheel by **6:3**. When you order the assembly identified by reference number **6**, you receive all parts identified by reference numbers **6:1**, **6:2**, and **6:3**. However, you may also order any part individually.

Reference numbers of this type appear in illustrations and in part lists.

Reference Numbers Indicating Quantity

In an illustration, if a reference number indicates more than one part, the reference number has the form **nX y**. The **n** represents the quantity of the part, the **X** is the multiplication symbol, and the **y** represents the reference number.

For example, in an illustration, the reference number **2X 37** means that two of the parts identified by reference number **37** are indicated.

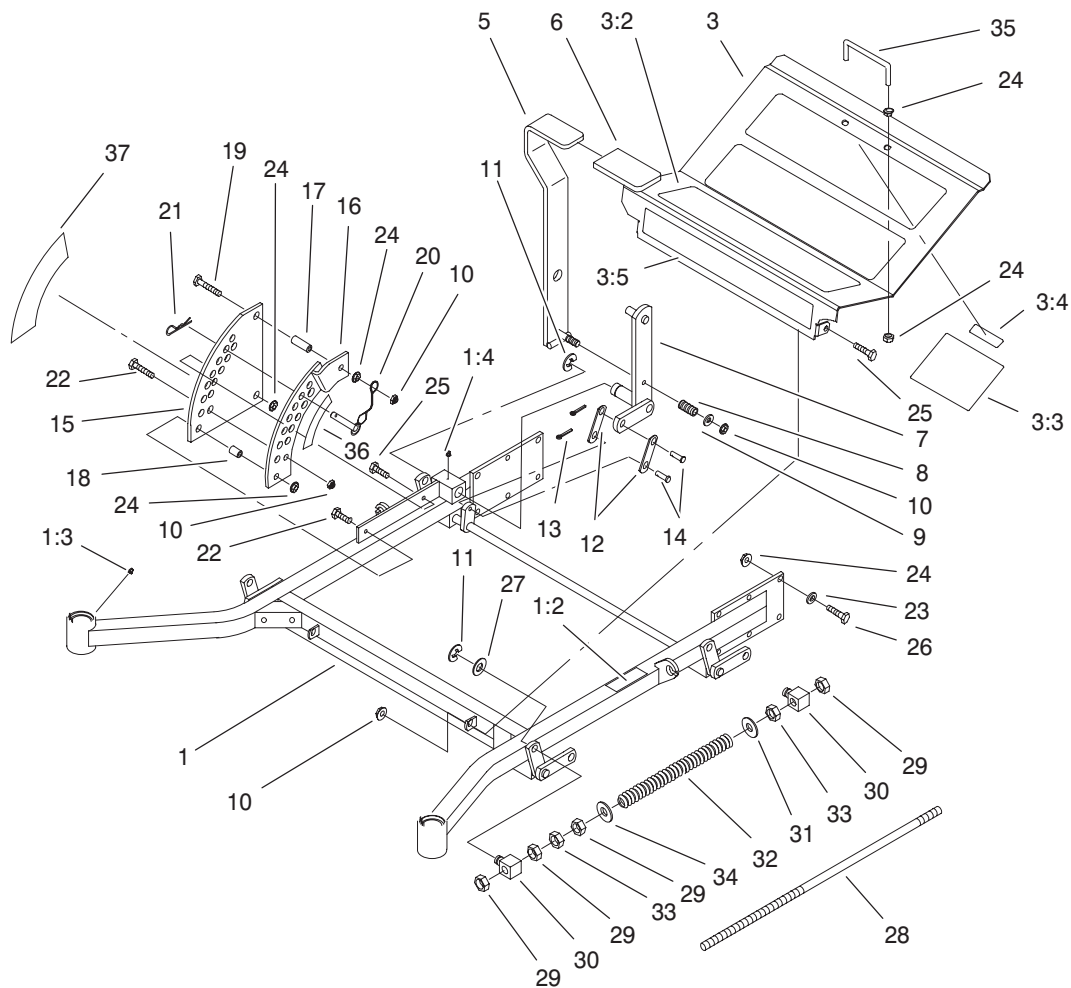
Contents

Description	Page	Description	Page
Front Frame Assembly	3	Deck, Deflector and Roller Assembly	17
Caster and Wheel Assembly	4	Spindle and Pulley Assembly	18
Rear Frame and Wheel Assembly	5	Belts and Idler Arm Assembly	19
Rear Frame and Wheel Assembly (Continued)	6	Group 1 – Crankshaft (CH26S 78511 Kohler)	20
Brake and Wheel Hub Assembly	7	Group 2–Crankcase (CH26S 78511 Kohler)	21
Control Panel Assembly	8	Group 3–Oil Pan/Lubrication (CH26S 78511 Kohler)	22
Hydraulic System Assembly	9	Group 4–Head/Valve/Breather (CH26S 78511 Kohler)	23
Hydraulic System Assembly (Continued)	10	Group 5–Ignition/Electrical (CH26S 78511 Kohler) ..	24
Shields and Clutch Assembly	11	Group 6–Blower Housing (CH26S 78511 Kohler) ...	25
Shields and Clutch Assembly (Continued)	12	Group 7–Starting System (CH26S 78511 Kohler) ..	26
Idler Assembly	13	Group 8–Fuel System (CH26S 78511 Kohler)	27
Frame and Deck Assembly	14	Group 9–Engine Controls (CH26S 78511 Kohler) ..	28
Tank and Fuel Lines Assembly	15	Group 10–Air Intake/Filtration (CH26S 78511 Kohler)	29
Electrical System Assembly	16	Group 11–Exhaust (CH26S 78511 Kohler)	30

Part Description Abbreviations

Part descriptions in this catalog may include the following abbreviations.

Abbreviation	Meaning	Abbreviation	Meaning
AR	as required	INC	incorporated
ASM	assembly	LH	left hand
CARR	carriage	NI	nylon insert
DEG	degrees	PPH	Phillips pan head
FH	flat head	PTH	Phillips truss head
GA	gauge	PTO	power take off
HF	hex flange	RH	right hand
HH	hex head	SFH	slotted fillister head
HHF	hex head flange	SHH	slotted hex head
HLH	hex lag head	SQH	square head
HJ	hex jam	SHWH	slotted hex washer head
HOC	height-of-cut	SPH	slotted pan head
HS	hex socket	SRH	slotted round head
HSBH	hex socket button head	STD	standard
HSFH	hex socket flat head	TAP	self tapping
HSH	hex socket head	TTH	Torx truss head
HWH	hex washer head	WH	wing head
HWHTF	hex washer head thread forming		

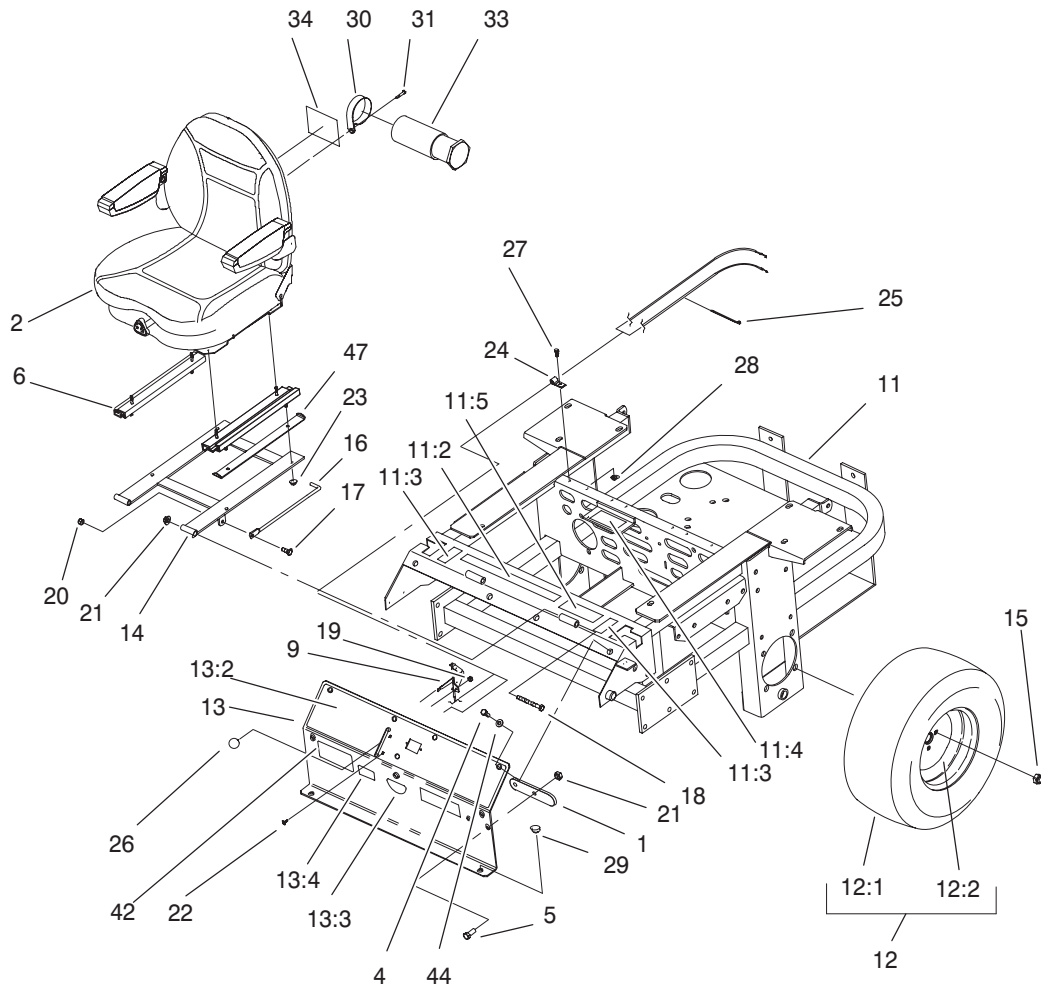


Sheet No.: 2

Front Frame Assembly

Ref. No.	Part No.	Qty.	Description
1	100-4259	1	Frame ASM
1:2	E633818	1	Decal
1:3	E811010	2	Plug-Swivel, Caster
1:4	320-19	5	Fitting - Grease
3	100-4334	1	Floorpan ASM
3:2	E633553	3	Pad-Antiskid
3:3	E633766	1	Decal-Check
3:4	98-5954	1	Decal-Missing, Cover
3:5	E633737	1	Decal- Z-Master
5	E632324	1	Lift Lever ASM
6	E633295	1	Grip-Lever, Lift
7	E632219	1	Arm-Deck Lift
8	E633325	1	Spring-Compression
9	3256-24	1	Washer-Flat
10	3296-39	5	Nut-Lock, NI
11	E808505	5	Ring-Snap
12	E633068	2	Arm-Lift, Deck
13	3272-10	2	Pin-Cotter
14	E808284	2	Pin-Clevis
15	E633889	1	Plate - Deck Lift
16	E632899	1	Plate-Deck Lift
17	E633082	1	Bushing-Lever, Lift
18	E633080	1	Bushing-Lever, Lift
19	323-13	1	Screw-HH
20	E633097	1	Pin-Hitch w/Lanyard
21	E806005	1	Hairpin

Ref. No.	Part No.	Qty.	Description
22	323-9	2	Screw-HH
23	98-5975	12	Washer
24	3290-357	19	Nut-Flange, Lock
25	323-6	3	Screw-HH
26	323-7	12	Screw-HH
27	3256-29	4	Washer-Flat
28	E633096	2	Rod-Deck Lift
29	3217-11	8	Nut-Hex
30	E633441	4	Swivel-Mount, Deck
31	3256-7	2	Washer-Flat
32	E633064	2	Spring-Deck Support
33	3218-6	4	Nut-Jam
34	3256-7	2	Washer-Flat
35	E633587	1	Handle
36	E633706	1	Decal-Deck Height
37	E633345	1	Decal-Deck Height



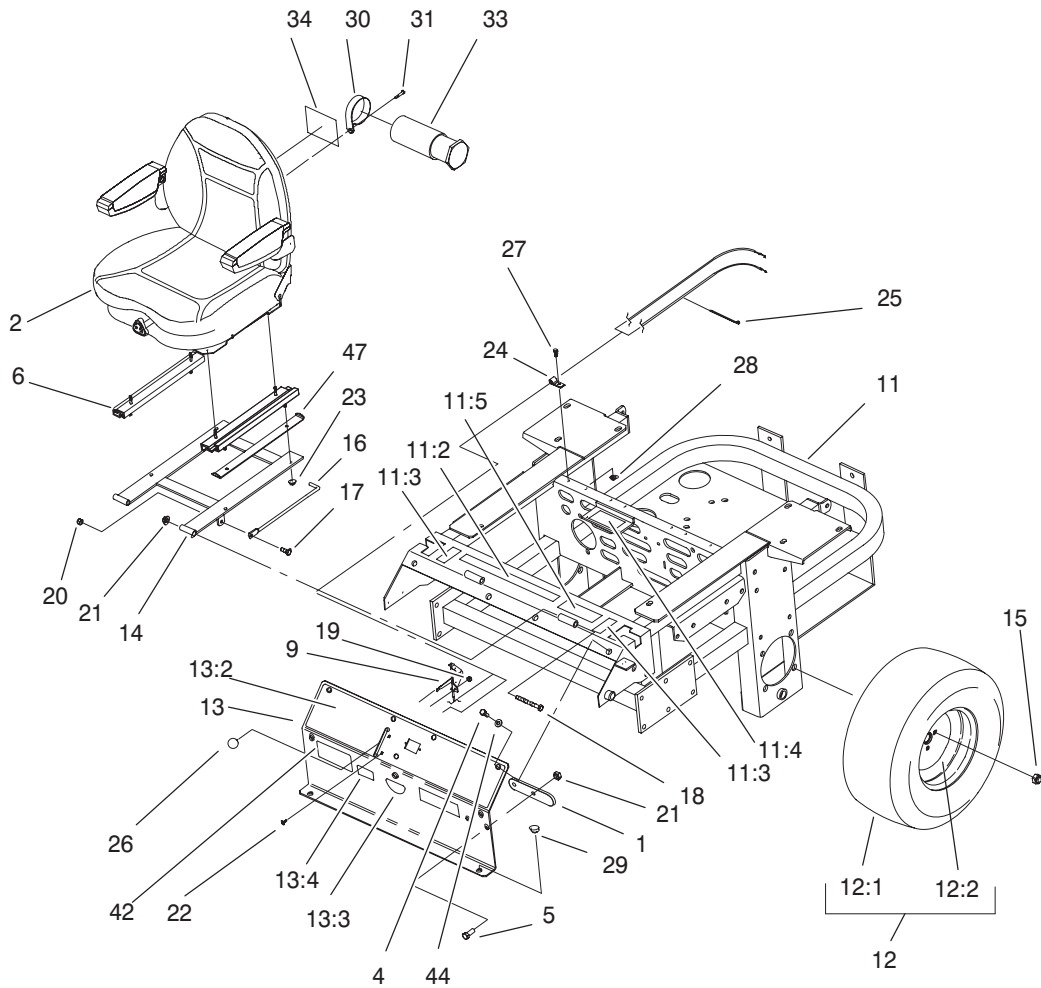
Sheet No.: 4

Rear Frame and Wheel Assembly

Ref. No.	Part No.	Qty.	Description
1	E633964	1	Stop – Park Brake
2	E643280	1	Seat–Suspension
2	E633821	1	Seat–Suspension
*2:1	E631842	1	Armrest Pad Kit
*2:2	E631843	1	Boot Kit
*2:3	E631844	1	Arm Assembly Kit
*2:4	E631845	1	Pan Assembly Kit
*2:5	E631846	1	Damper Kit
*2:6	E631847	1	Roller Kit
*2:7	E631848	1	Spring And Cable Kit
*2:8	E631849	1	Hanger/Knob/Tension Shaft Kit
*2:9	E643281	1	Switch, Seat
4	322-3	6	Screw–HH
5	323-6	2	Screw–HH
6	E643255	1	Track–Locking, 4"
9	E633696	1	Cable–Throttle
11	100-4261	1	Rear Frame ASM
11:2	E513747	1	Decal–Battery
11:3	E633354	2	Decal–Control, Motion
11:4	E513929	1	Decal–Drive Release
11:5	E643372	1	Decal–Hazardous Mat.
12	E633970	2	Wheel & Tire ASM
12:1	E633993	1	Tire
12:2	E633992	1	Wheel
13	100-4322	1	Console ASM

Ref. No.	Part No.	Qty.	Description
13:2	100-4311	1	Decal–Control Panel
13:3	E643233	1	Decal, Fuel Valve–Dual
13:4	98-4387	1	Decal–Protection, Ear
14	E632187	1	Frame–Seat
15	E513011	8	Nut–Wheel
16	E633293	1	Rod–Seat Holdup
17	322-5	1	Screw–HH
18	323-21	2	Screw–HH
19	3296-2	2	Nut–Lock
20	3296-41	1	Nut–Lock NI
21	3296-39	4	Nut–Lock, NI
22	E807513	2	Bolt–CARR
23	32128-20	4	Nut–HF
24	E513762	1	Clip
25	E303335	1	Tie–Plastic
26	E513592	1	Knob–Ball, Red
27	321-4	1	Screw–HH
28	32128-33	1	Nut–HF
29	E513658	2	Bumper–Catcher, Grass
30	2412-133	2	R–Clamp
31	32144-70	2	Screw–HH
33	74-0720	1	Tube–Manual
34	99-4693	1	Decal–Toro
42	100-4314	1	Decal–Z256e

* Not illustrated

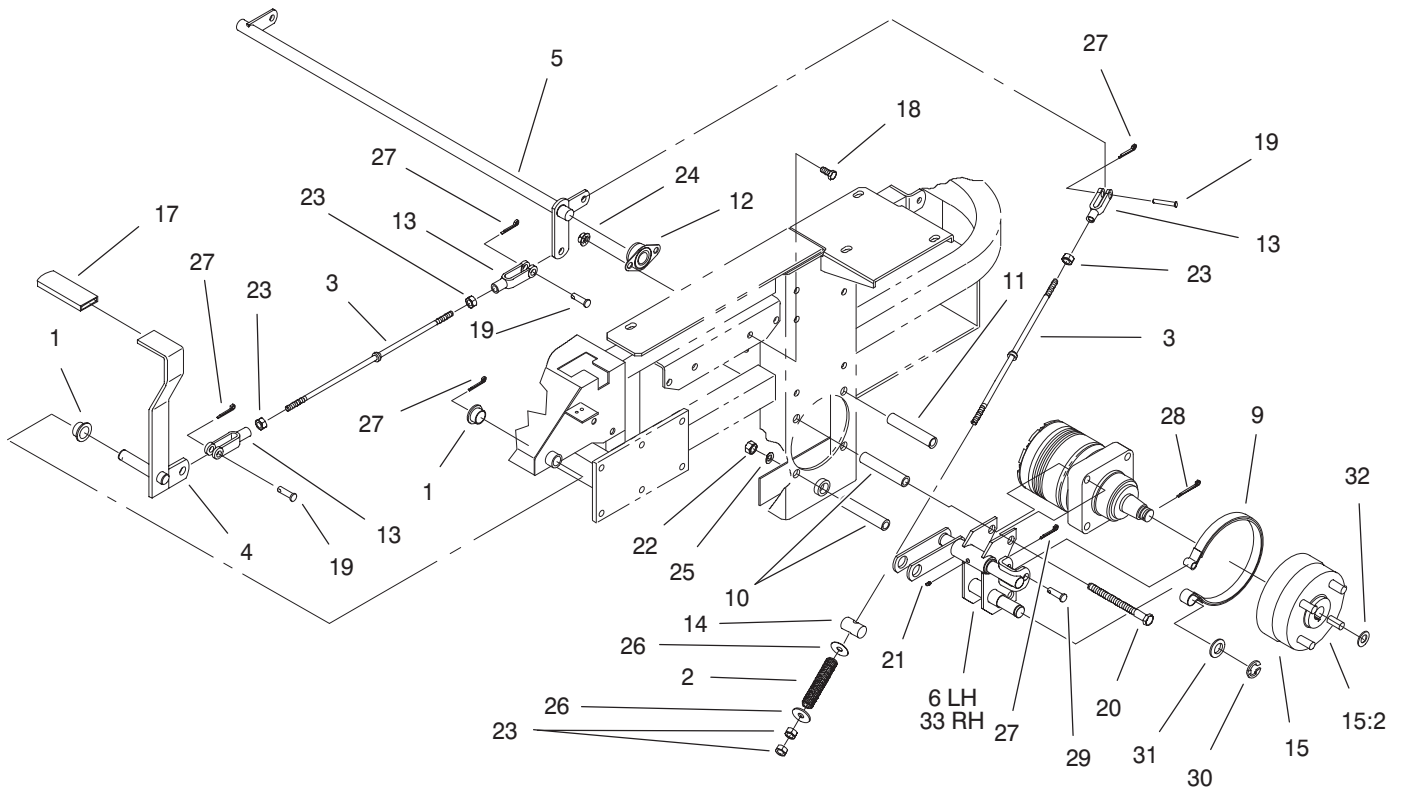


Sheet No.: 4

Rear Frame and Wheel Assembly (Continued)

Ref. No.	Part No.	Qty.	Description
44	3256-23	6	Washer-Flat
47	E633872	2	Spacer-Stop, Seat

Ref. No.	Part No.	Qty.	Description
----------	----------	------	-------------



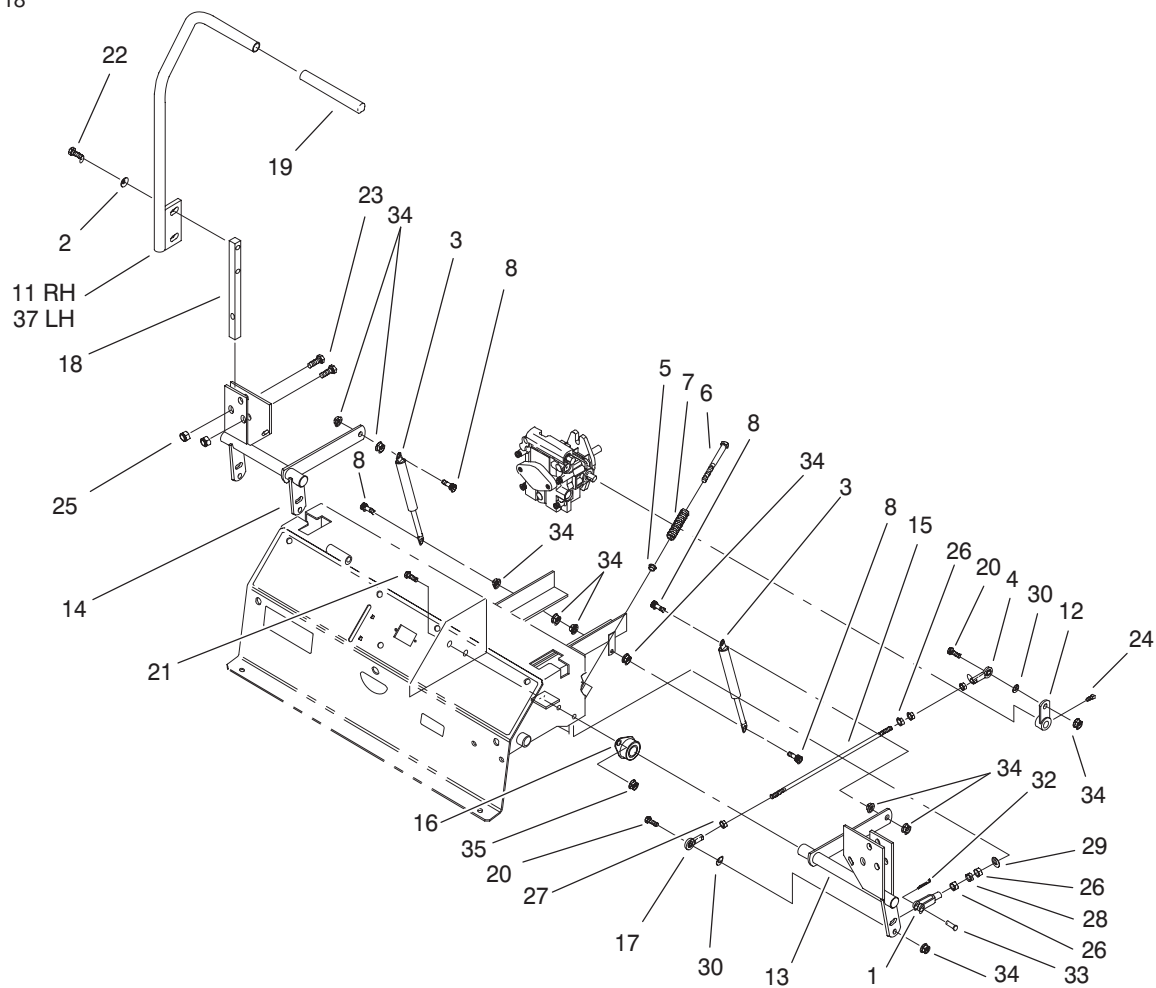
Sheet No.: 5

Brake and Wheel Hub Assembly

Ref. No.	Part No.	Qty.	Description
1	E513140	2	Bearing, Control
2	E633454	2	Spring-Brake
3	E633477	3	Rod-Brake
4	E632489	1	Lever-Brakepoint
5	E632217	1	Shaft-Brake
6	E632712	1	Bracket-Brake, LH
9	E633693	2	Band-Brake
10	E633060	4	Spacer-Short, Wheel
11	E633062	4	Spacer-Long, Wheel
12	E633102	2	Bearing-Flange, Side
13	E633131	4	Yoke-Linkage, Brake
14	E633144	2	Pin-Trunion
15	E634927	2	Hub And Drum ASM
15:2	E633926	4	Stud-Wheel
17	E633268	1	Grip-Lever, Brake
18	323-4	4	Screw-HH
19	E808285	4	Pin-Clevis
20	325-20	8	Screw-HH
21	302-19	2	Fitting - Grease
22	103-0131	8	Nut-Sq
23	3219-3	8	Nut-HH
24	3290-357	4	Nut-Flange, Lock
25	3253-7	8	Washer-Lock/Sp
26	3256-4	4	Washer-Flat
27	3272-10	7	Pin-Cotter
28	E806800	2	Pin-Cotter

Ref. No.	Part No.	Qty.	Description
29	E808283	2	Pin-Clevis
30	E808514	2	Ring-Retaining
31	3256-28	2	Washer-Flat
32	E523157	2	Spacer
*33	E632713	1	Bracket-Brake, RH

* Not illustrated



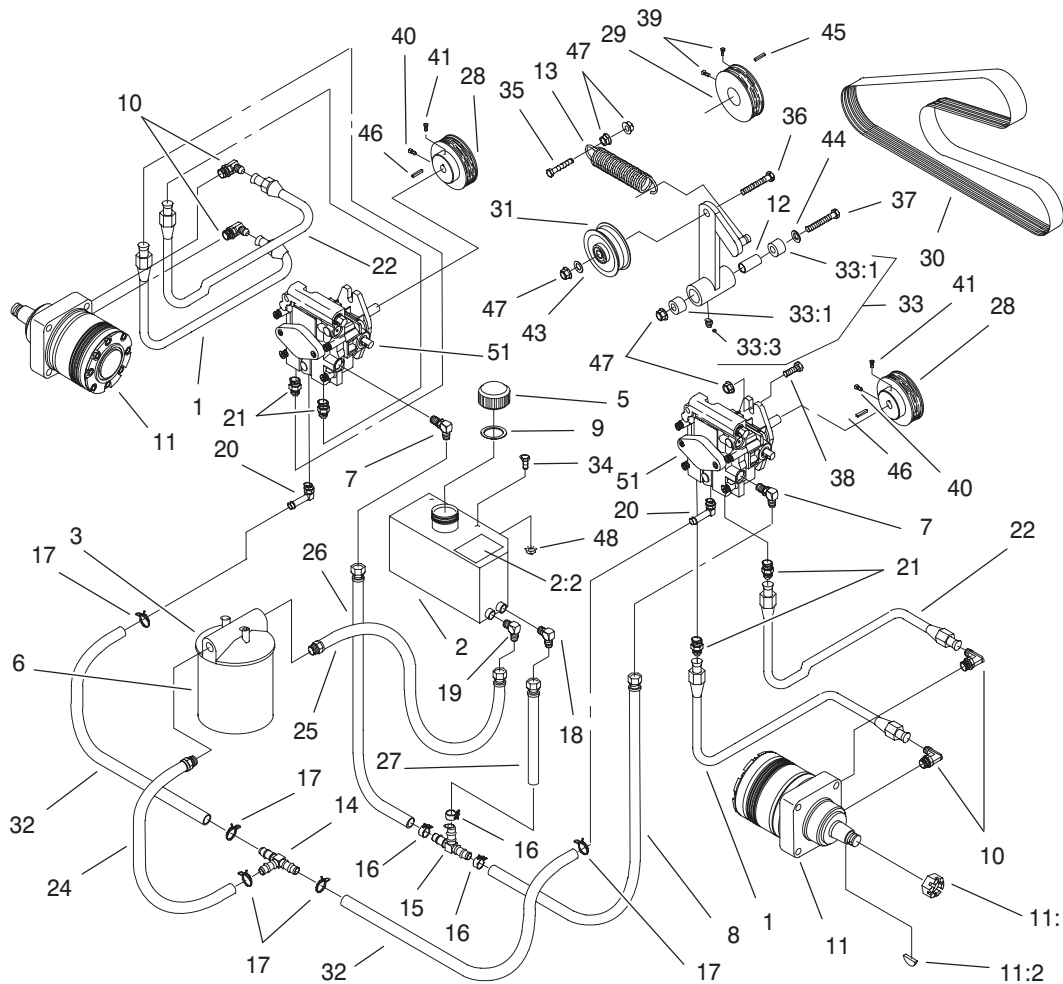
Sheet No.: 6
C-2888

Control Panel Assembly

Ref. No.	Part No.	Qty.	Description
1	E303105	2	Yoke-Adjustable
2	98-5975	4	Washer
3	E523027	2	Damper-Control
4	E543017	2	Joint-Ball
5	E603735	2	Bushing-Flanged, Nylon
6	E603737	2	Bolt-Return, Neutral
7	E603807	2	Spring-Return, Neutral
8	E403180	4	Screw-HH
11	E632193	1	Lever-RH
12	E632208	2	Arm-Pump Control
13	E642319	1	Motion Contro, LH
14	E642320	1	Motion Control, RH
15	E633153	2	Linkage
16	E633102	4	Bearing-Flange, Side
17	E633152	2	Joint-Ball, LH Thread
18	E633177	2	Arm
19	E633257	2	Grip-Control, Motion
20	322-6	4	Screw-HH
21	323-4	8	Screw-HH
22	323-6	4	Screw-HH
23	323-9	6	Screw-HH
24	E803022	2	Screw
25	3296-39	6	Nut-Lock, NI
26	3219-2	10	Nut-Hex

Ref. No.	Part No.	Qty.	Description
27	3220-20	2	Nut-Jam LH
28	3220-2	2	Nut-Jam
29	3256-2	2	Washer-Flat
30	3256-3	4	Washer-Flat
32	3272-5	2	Pin-Cotter
33	E808280	2	Pin-Clevis
34	32128-20	16	Nut-HF
35	3290-357	8	Nut-Flange, Lock
*37	E632191	1	Lever-LH

* Not illustrated

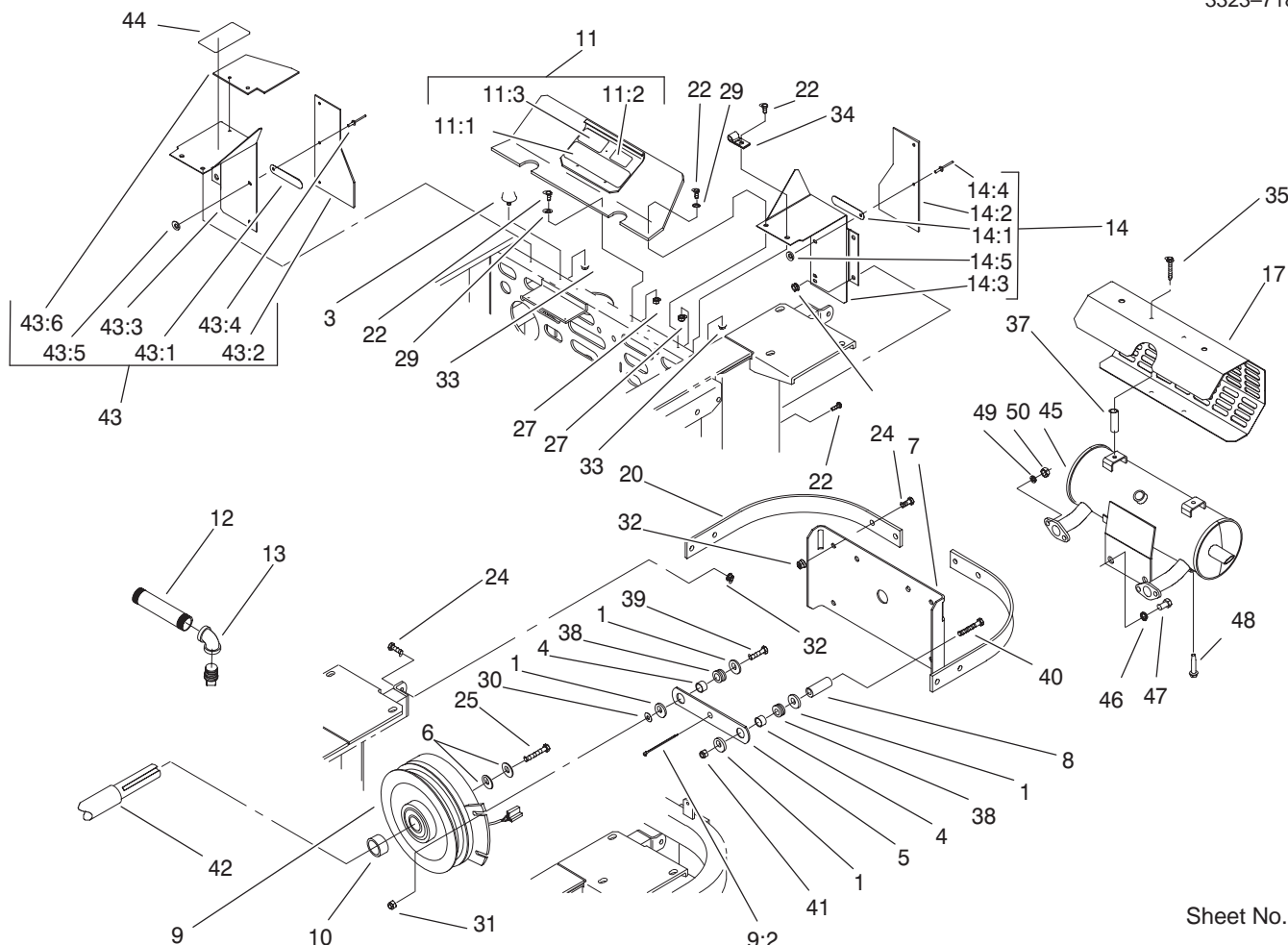


Sheet No.: 7

Hydraulic System Assembly

Ref. No.	Part No.	Qty.	Description
1	E633776	2	Hose—High Pressure
2	99-4625	1	Hydraulic Tank ASM
2:2	E523552	1	Decal – Hydraulic Tank, Hot Surface
3	E513006	1	Filter—Head
5	E513167	1	Cap—Reservoir, Hydraulic
6	E633750	1	Filter—Hydro
6	E633752	1	Filter—Hydro, Winter
7	E513840	2	Elbow—90°
8	E522217	1	Low Pressure Hose ASM
9	E523103	1	Gasket—Tank/Cap
10	E633786	4	Elbow 90°
11	E523328	2	Motor—Wheel
11:1	E809036	1	Nut—Castle
11:2	3257-42	1	Key—Woodruff
12	E603384	1	Bushing—Pivot, Idler
13	E603413	1	Spring—Extension
14	E603721	1	Fitting
15	E603722	1	Fitting
16	E603826	3	Clamp—Hose
17	E603827	5	Clamp—Hose
18	E603987	1	Elbow
19	E603988	1	Elbow
20	E603989	2	Elbow

Ref. No.	Part No.	Qty.	Description
21	E603990	4	Adapter
22	E633777	2	Hose—High Pressure
24	E632281	1	12" Low Pressure Hose ASM
25	E632282	1	13" Low Pressure Hose ASM
26	E632285	1	Hose—Pressure, Low
27	E632286	1	Hose—Pressure, Low
28	E633568	2	Sheave
29	E633567	1	Sheave
30	E633749	1	Belt
31	E633167	1	Pulley—Idler
32	E633335	2	Hose—Low Pressure
33	E634277	1	Arm ASM
33:1	E513034	2	Bearing—Pivot
33:3	E811008	1	Fitting—Grease
34	321-4	2	Screw—HH
35	323-8	1	Screw—HH
36	323-9	1	Screw—HH
37	E800805	1	Screw—HH
38	323-7	4	Screw—HH
39	E803022	2	Screw
40	3242-6	2	Screw—SQH Set
41	3242-4	2	Screw—Set, SQH
43	3256-3	1	Washer—Flat
44	3256-4	1	Washer—Flat



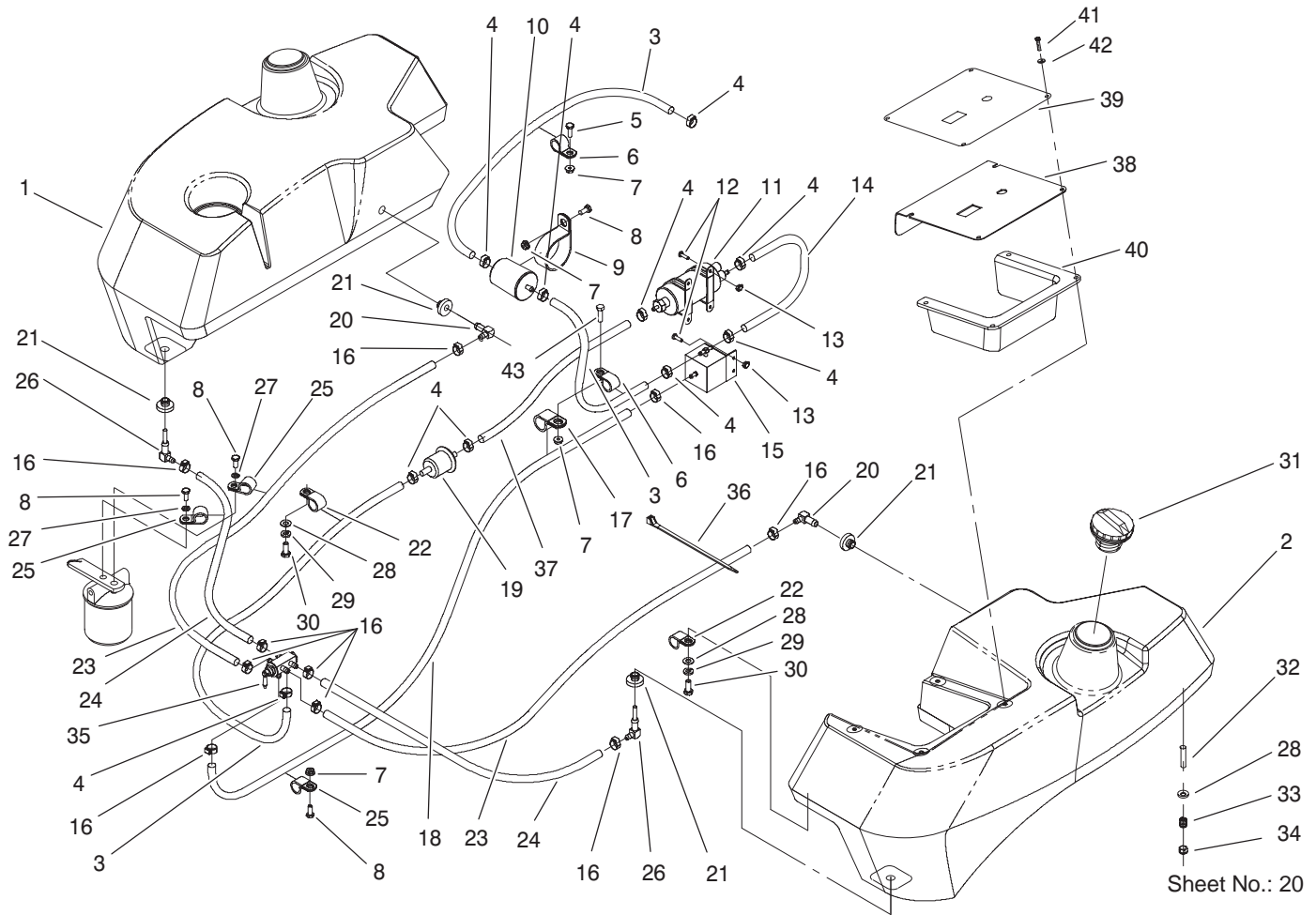
Sheet No.: 9

Shields and Clutch Assembly

Ref. No.	Part No.	Qty.	Description
1	E613235	4	Washer
3	E523420	2	Bumper
4	E633545	2	Spacer-Grommet
5	E633543	1	Strap-Clutch/Brake
6	E603610	2	Washer-Spring, Disc
7	E633615	1	Guard-Clutch
8	E633988	1	Spacer-Clutch, Anchor
9	E631732	1	Clutch
9:2	E303335	1	Tie-Plastic
10	E633179	1	Spacer-Clutch
11	E644276	1	Shield ASM
11:1	E643252	1	Decal-Belt, Drive
11:2	E513748	1	Decal-Guard
11:3	E633462	1	Decal-Important
12	E543232	1	Nipple
13	E303428	1	Elbow
14	E634796	1	Shield-LH
14:1	E523285	1	Clip,Rear Baffle
14:2	E633301	1	Shield - Engine
14:3	E633795	1	Baffle-Engine Shield, LH
14:4	E803035	3	Pop Rivet
14:5	3256-23	3	Washer-Flat
17	E643313	1	Guard-Muffler
20	E643264	2	Bracket-Guard, Top

Ref. No.	Part No.	Qty.	Description
22	321-4	10	Screw-HH
24	323-6	6	Screw-HH
25	3212-10	1	Screw-HH
27	32146-17	6	Nut-Lock
29	3256-2	4	Washer-Flat
30	3256-3	1	Washer-Flat
31	32128-20	1	Nut-HF
32	3290-357	4	Nut-Flange, Lock
33	32128-33	5	Nut-HF
34	E633396	1	Clip-Loom
35	E809108	2	Screw-HWH
37	E323236	2	Spacer
38	E633630	2	Grommet
39	322-6	1	Screw-HH
40	322-19	1	Screw-HH
41	3296-29	1	Nut-Lock, NI
*42	E643207	1	Engine-Kohler 26hp, Ch26s 78511
43	E644316	1	Shield ASM, RH
43:1	E523285	1	Clip,Rear Baffle
43:2	E633301	1	Shield - Engine
43:3	E633794	1	Shield - RH
43:4	E803035	5	Pop Rivet
43:5	3256-23	5	Washer-Flat
43:6	E643315	1	Baffle, Engine Cooler
44	E643339	1	Decal-Belt Routing

* Not illustrated



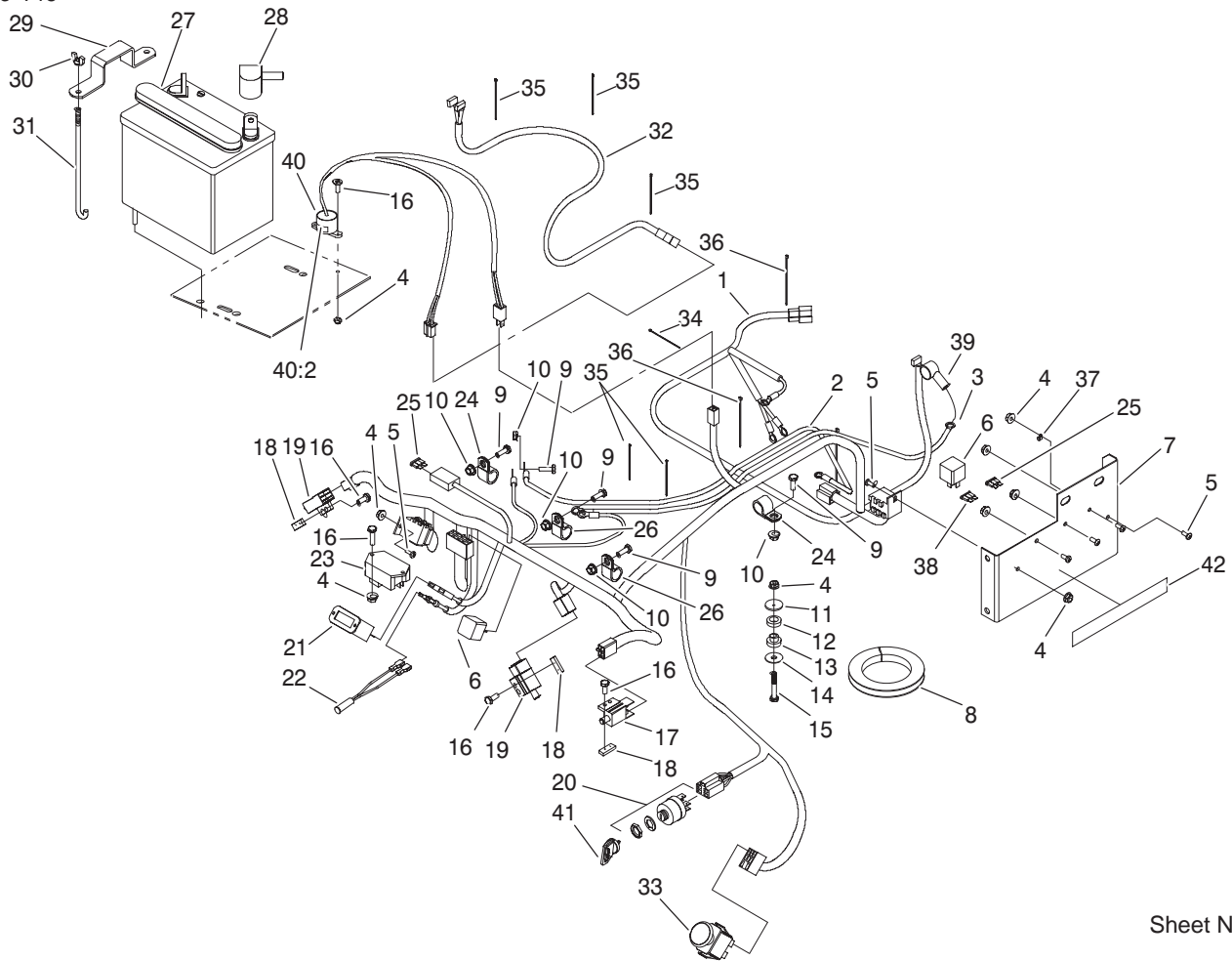
Sheet No.: 20

Tank and Fuel Lines Assembly

Ref. No.	Part No.	Qty.	Description
1	100-4312	1	Tank-Fuel, RH
2	100-4313	1	Tank-Fuel, LH
3	E643238	3	Fuel Line
4	E643277	10	Clamp,Fuel Hose
5	321-4	1	Screw-HH
6	E603727	2	Clip-Loom
7	32128-33	4	Nut-HF
8	321-3	3	Screw-HH
9	E643241	1	Clip-Loom
12	32104-81	6	Screw-Head, Pan
13	3296-2	6	Nut-Lock
14	E643236	1	Fuel Line
16	E643293	10	Clamp
17	E643312	1	Clip-Loom
18	E643235	1	Fuel Line
19	99-9403	1	Filter-Fuel
20	E643172	2	Elbow, 90
21	E513645	4	Bushing-Valve, Fuel
22	E633396	2	Clip-Loom
23	E633348	2	Line-Fuel
24	E543456	2	Fuel Line
25	E513762	3	Clip
26	E543277	2	Elbow-Tank, Fuel
27	3253-3	2	Washer-Lock/Sp
28	3256-23	10	Washer-Flat
29	3253-4	4	Washer

Ref. No.	Part No.	Qty.	Description
30	322-3	4	Screw-HH
31	93-3101	2	Cap-Fuel
32	E633023	6	Stud
33	E633349	6	Spring-Tank, Fuel
34	3296-47	6	Nut-Lock, NI
35	E643234	1	Valve-Fuel Line
36	E303287	1	Tie-Plastic
37	E643239	1	Fuel Line
38	99-4656	1	Panel-Control
39	99-4632	1	Decal-Control Panel
40	99-4940	1	Shield-Control Panel
41	E803071	4	Screw
42	E303435	4	Washer-Belleview
43	321-6	1	Screw-HH

3323-718

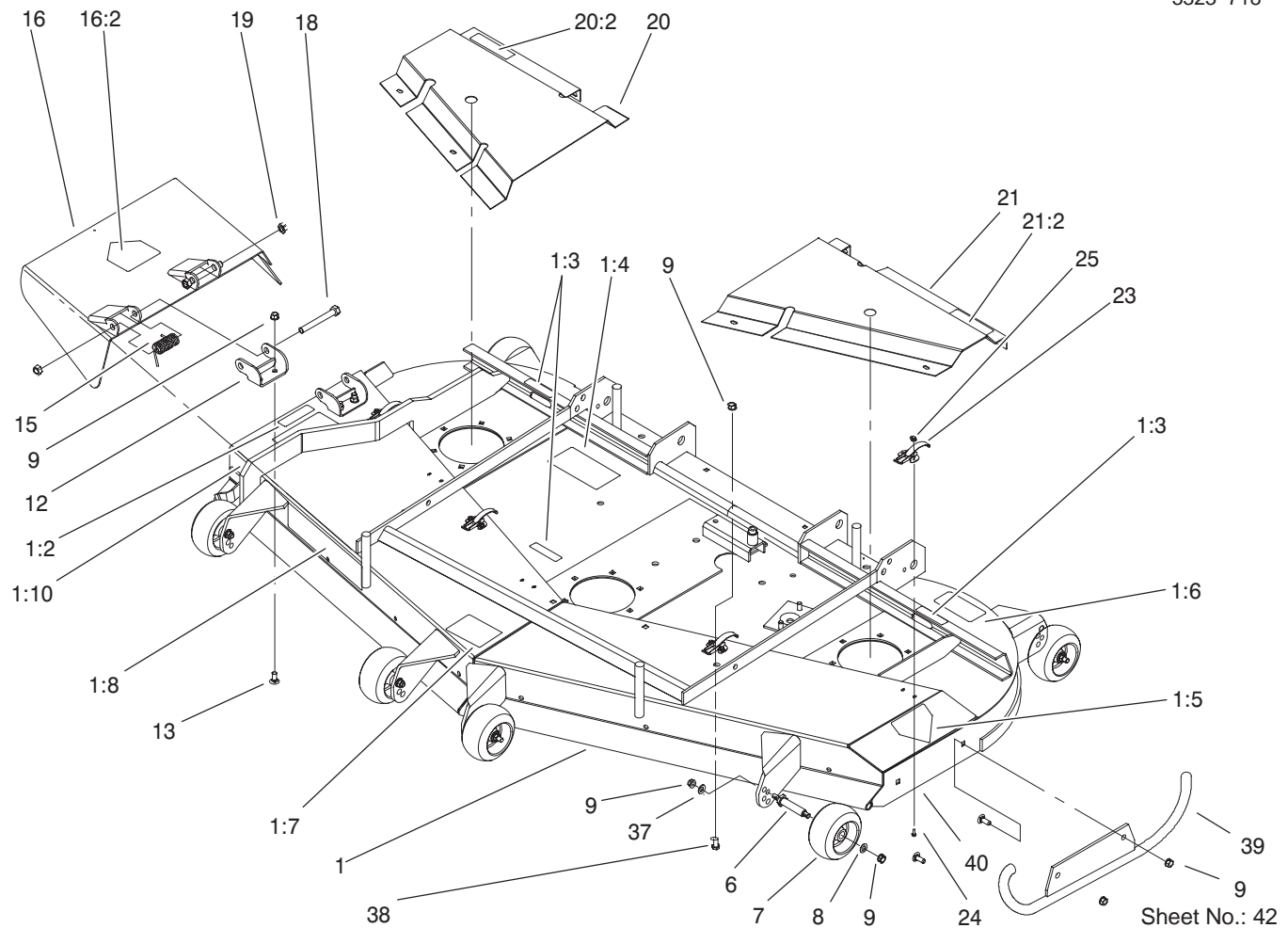


Sheet No.: 21

Electrical System Assembly

Ref. No.	Part No.	Qty.	Description
1	E643273	1	Harness-Wiring
2	E633307	1	Wire-Ground
3	E523279	1	Cable - Battery
4	3296-2	12	Nut-Lock
5	E803071	6	Screw
6	E643275	2	Relay
7	E643257	1	Panel-Fuses/Relay
8	E643246	1	Trim-Lok
9	321-4	6	Screw-HH
10	32128-33	6	Nut-HF
11	E805518	4	Washer-Fender
12	E643325	4	Ring Mount-Vibration
13	E643326	4	Bushing Mount-Vibration
14	E805519	4	Washer-Fender
15	E803074	4	Screw-Shoulder
16	E803028	3	Screw
17	E633110	1	Switch-Brake
18	E633181	3	Plate-Tapped
19	E633111	2	Switch-Lever, Drive
20	E543070	1	Switch-Ignition
21	E513374	1	Meter-Hours, Engine
22	E643267	1	Indicator-Red Led
23	E643271	1	Module-Ignition
24	E513762	2	Clip
25	E816001	2	Fuse

Ref. No.	Part No.	Qty.	Description
26	E633396	2	Clip-Loom
27	E603479	1	Battery-12v
28	E543391	1	Insulator-Battery
29	E633652	1	Strap-Hold Down, Battery
30	E543792	2	Wingnut-Nyloc
31	E633651	2	Bolt-Hold Down, Battery
32	E633840	1	Harness-Wire, Seat
33	E633673	1	Switch-PTO
34	E303287	1	Tie-Plastic
35	E303335	5	Tie-Plastic
36	E643115	2	Tie - Plastic
37	E323229	1	Clip-Loom
38	E816002	1	Fuse-10 Amp
39	E543393	1	Insulator-Solenoid
40	E644427	1	Switch-Tilt
40:2	E643401	1	Decal-Mercury Switch
41	63-8360	2	Key-Ignition

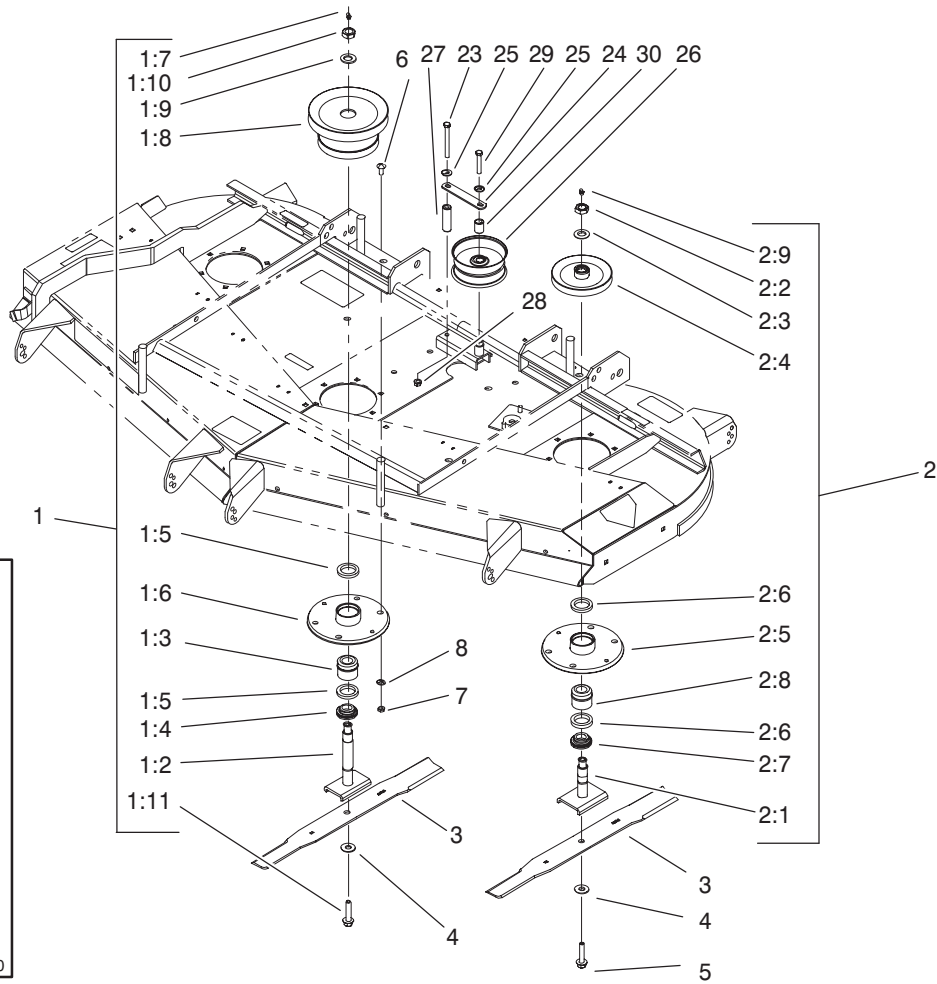
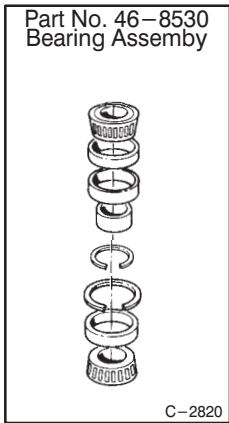


Sheet No.: 42

Deck, Deflector and Roller Assembly

Ref. No.	Part No.	Qty.	Description
1	100-4273	1	Deck ASM
1:2	66-6380	1	Decal-Danger
1:3	98-5954	3	Decal-Missing, Cover
1:4	99-4686	1	Decal-Belt Routing
1:5	43-8480	1	Decal-Danger
1:6	93-7818	1	Decal-Torque, Blade Bolt
1:7	98-3798	1	Decal-Wheel, Gage
1:8	98-5995	1	Decal-Deck
1:10	66-1340	1	Decal-Danger
6	99-2842	6	Spacer-Wheel
7	68-2730	6	Wheel-Gage
8	E373034	6	Washer-Swivel
9	3290-357	22	Nut-Flange, Lock
12	51-1530-01	2	Bracket-Hinge
13	3231-27	4	Screw-CARR
15	51-1550	2	Spring
16	14-0909	1	Deflector ASM
16:2	54-9220	1	Decal-Danger
18	325-17	2	Screw-HH
19	32153-5	2	Nut-Lock
20	99-2622	1	Cover-RH
20:2	67-5360	1	Decal-Danger
21	99-2623	1	Cover-LH
21:2	67-5360	1	Decal-Danger
23	249-21	4	Clamp-Slotted

Ref. No.	Part No.	Qty.	Description
24	3290-321	8	Screw-HWH
25	32128-17	8	Nut-Flange, Lock
37	98-5975	6	Washer
38	323-4	4	Screw-HH
39	98-7923-01	1	Skid
40	3231-22	2	Screw-CARR

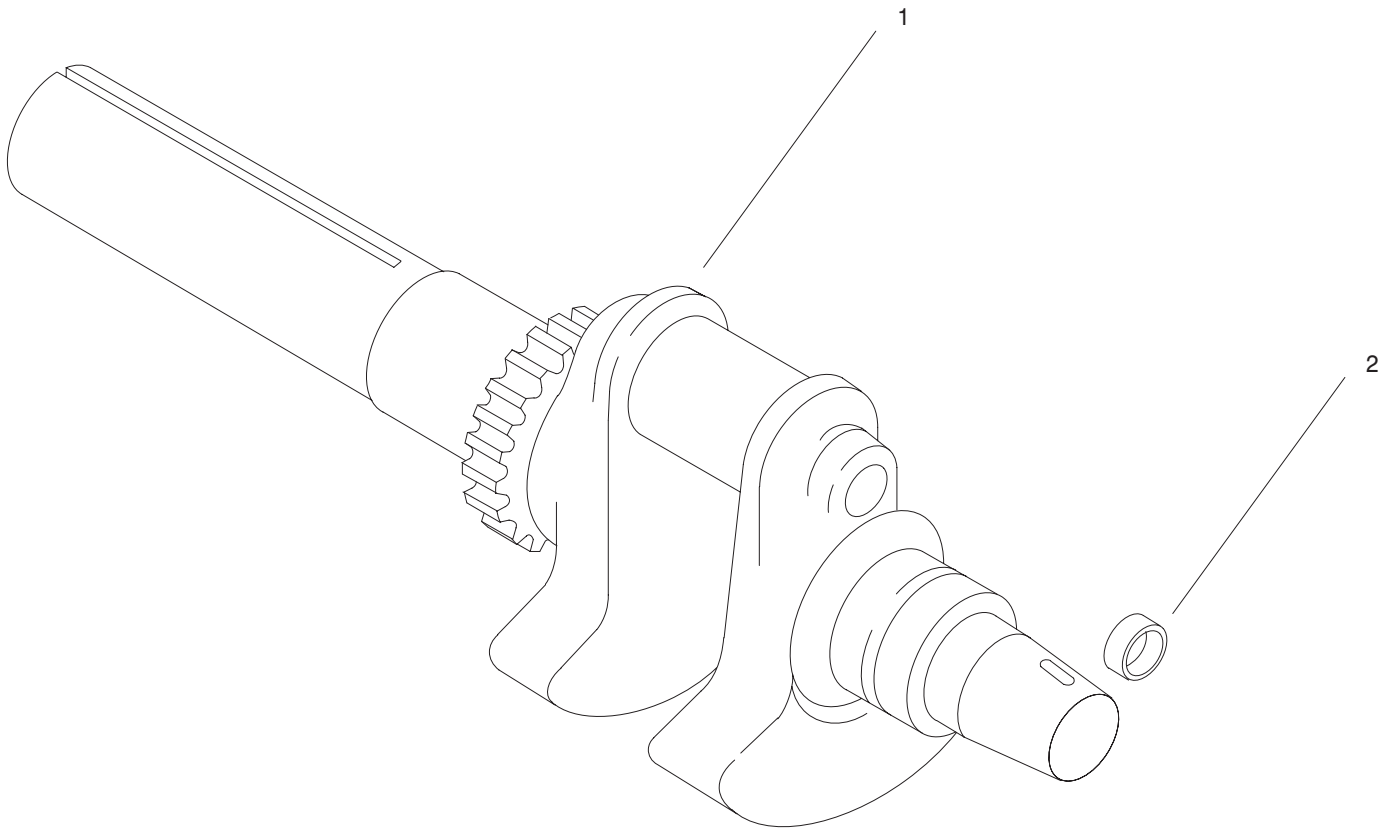


Sheet No.: 43

Spindle and Pulley Assembly

Ref. No.	Part No.	Qty.	Description
1	100-4321	1	Spindle Housing ASM
1:2	51-3551	1	Shaft-Spindle
1:3	46-8530	1	Bearing ASM
1:4	27-0950	1	Spacer-Bearing, Spindle
1:5	253-139	2	Seal-Oil
1:6	61-4160	1	Spindle
1:7	302-2	1	Fitting-Grease
1:8	100-4309	1	Hub Pulley ASM
1:9	92-5836	1	Washer - Axle
1:10	32146-20	1	Nut-Jam
1:11	92-5816	1	Bolt-Blade
2	99-4642	2	Spindle Housing ASM
2:1	27-0920	1	Shaft-Spindle
2:2	32146-20	1	Nut-Jam
2:3	7-4150	1	Washer-Pinion
2:4	99-4615	1	Pulley & Hub
2:5	61-4160	1	Spindle
2:6	253-139	1	Seal-Oil
2:7	27-0950	1	Spacer-Bearing, Spindle
2:8	46-8530	1	Bearing ASM
2:9	302-2	1	Fitting-Grease
3	94-1861	3	Blade
4	E513435	3	Washer-Spring
5	92-5816	2	Bolt-Blade

Ref. No.	Part No.	Qty.	Description
6	3231-22	18	Screw-CARR
7	32128-21	18	Nut-HF
8	3256-24	4	Washer-Flat
23	323-42	1	Screw-HH
24	E653189	1	Plate-Guide, Belt
25	98-5975	2	Washer
26	E413099	1	Pulley-Idler
27	99-4659	1	Spacer-Bracket
28	3290-357	1	Nut-Flange, Lock
29	323-11	1	Screw-HH
30	E653190	1	Spacer

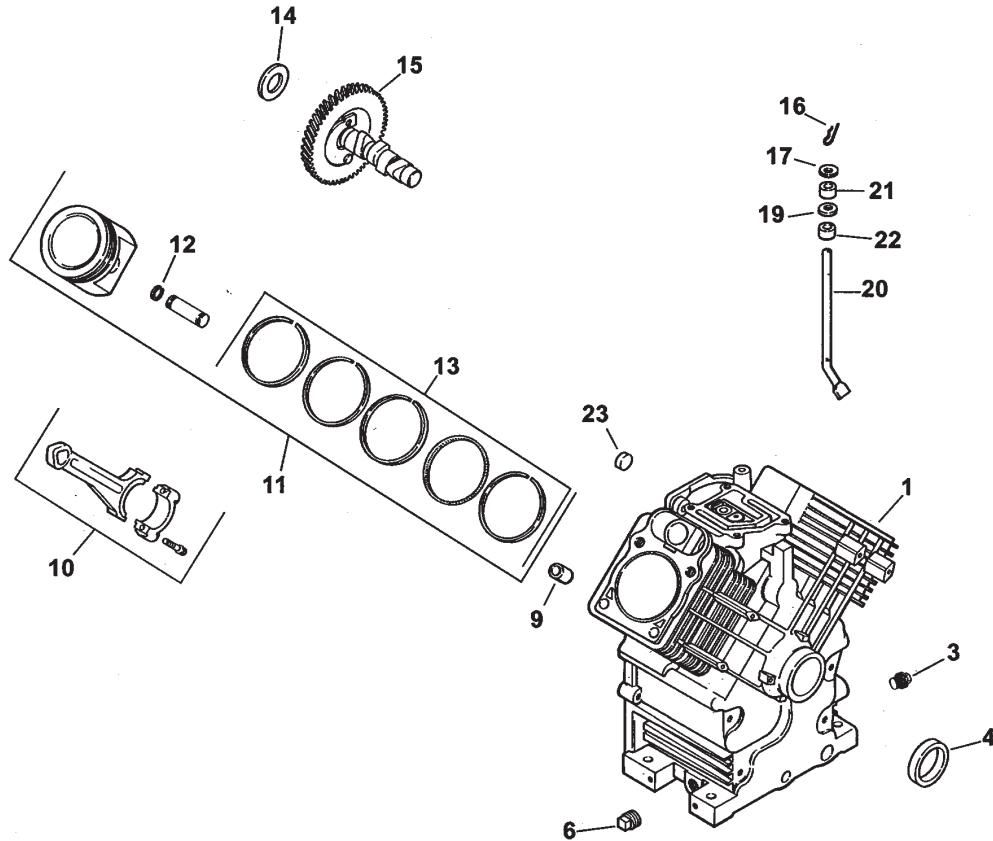


Group 1 – Crankshaft (CH26S 78511 Kohler)

Ref. No.	Part No.	Qty.	Description
1	24 014 06-S	1	Crankshaft (Includes 2)
2	52 139 09-S	1	Plug, cup

Ref. No.	Part No.	Qty.	Description

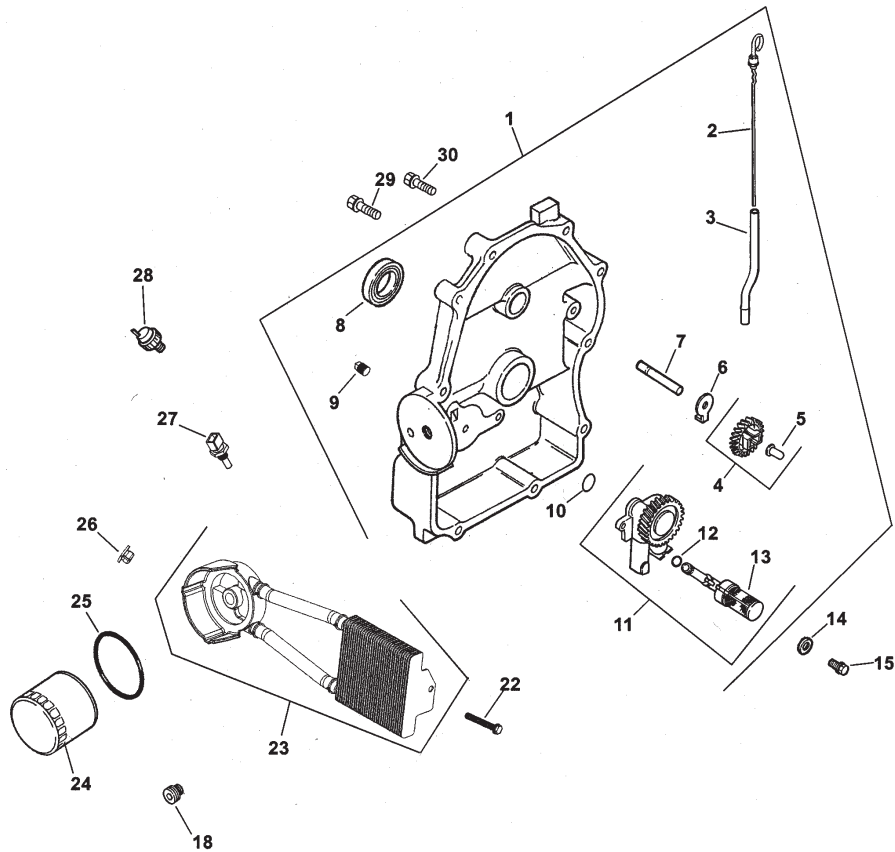
Obtain Parts From Kohler



Group 2 – Crankcase (CH26S 78511 Kohler)

Ref. No.	Part No.	Qty.	Description	Ref. No.	Part No.	Qty.	Description
1	24 782 10	1	Crankcase	23	52 139 09-S	1	Plug, cup
3	X-75-10-S	2	Plug, Pipe 3/8"				
4	24 032 01-S	1	Seal, oil front				
6	X-75-23-S	1	Plug, Allen HD Pipe 1/8"				
9	12 380 17-S	6	Pin, dowel locating				
10	24 067 13-S	2	Connecting Rod (Std.)				
	24 067 14-S	2	Connecting Rod (.25)				
11	24 874 06-S	2	Piston w/Ring Set (Std.)				
12	24 018 01-S	4	Retainer, piston pin				
13	24 108 04-S	2	Ring Set (Std.)				
14	12 422 09-S	A/R	Shim, camshaft, red				
	12 422 13-S	A/R	Shim, camshaft, black				
	12 422 07-S	A/R	Shim, camshaft, white				
	12 422 08-S	A/R	Shim, camshaft, blue				
	12 422 10-S	A/R	Shim, camshaft, yellow				
	12 422 11-S	A/R	Shim, camshaft, green				
	12 422 12-S	A/R	Shim, camshaft, gray				
15	24 012 10-S	1	Camshaft				
16	12 380 04-S	1	Pin, hitch				
17	M-631005-S	1	Washer, flat				
19	X-25-102-S	1	Washer, plain				
20	24 144 10-S	1	Shaft, Governor Cross				
21	52 030 04-S	1	Bearing, Needle-Upper				
22	52 030 03-S	1	Bearing, Needle-Lower				

*Not Illustrated
Obtain Parts From Kohler

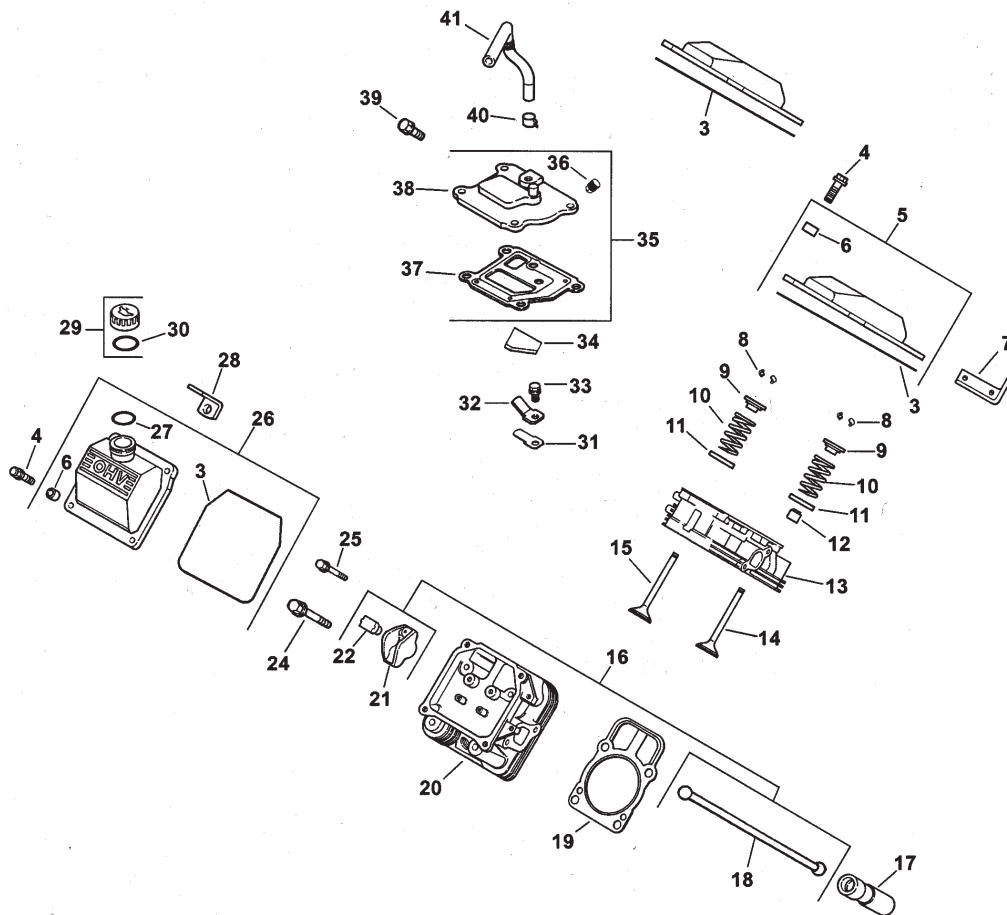


Group 3 – Oil Pan/Lubrication (CH26S 78511 Kohler)

Ref. No.	Part No.	Qty.	Description
1	24 009 83-S	1	Plate, closure assembly (Includes 2-12)
2	24 038 06-S	1	Dipstick
3	24 123 08-S	1	Tube, dipstick
4	24 043 12-S	1	Kit, governor gear (Includes 5)
5	12 380 01-S	1	Pin, governor regulating
6	52 448 02-S	1	Tab, locking
7	12 144 02-S	1	Shaft, governor gear
8	52 032 08-S	1	Seal, oil (PTO end)
9	X-75-23-S	2	Plug, pipe 1/8"
10	24 153 08-S	1	O-Ring
11	24 393 10-S	1	Oil pump assembly (Includes 12,13)
12	24 153 01-S	1	O-Ring, oil pick-up
13	24 381 04-S	1	Pick-up, oil
14	M-0631005-S	2	Washer, plain 6 mm
15	M-0645025-S	2	Screw, hex flange
18	24 136 01-S	1	Nipple, Oil Filter
22	25 086 49-S	2	Screw, Tapping 1/4-1x3/4"
23	24 594 13-S	1	Cooler, Oil-Phenolic
24	52 050 02-S	1	Filter, Oil
25	24 153 13-S	1	O-Ring

Ref. No.	Part No.	Qty.	Description
26	24 100 01-S	2	Nut, plastic
27	24 418 07-S	1	Sensor, Temperature
28	24 099 03-S	1	Switch, Pressure
29	24 086 16-S	9	Screw, Hex Flange M8x1.25x45
30	24 086 17-S	1	Screw, hex flange
*	24 113 25-S	1	Decal, oil cooler

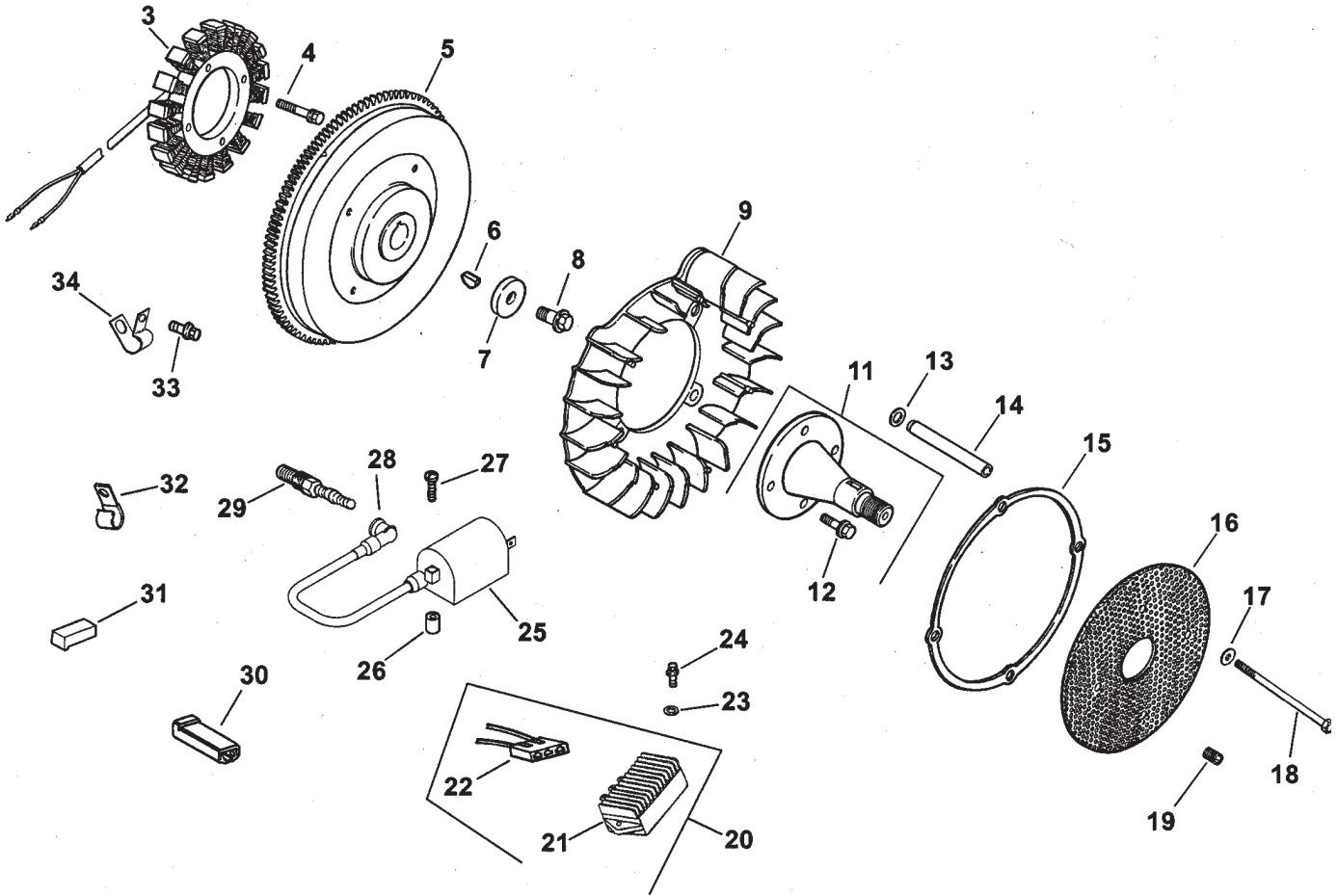
*Not Illustrated
Obtain Parts From Kohler



Group 4 – Head/Valve/Breather (CH26S 78511 Kohler)

Ref. No.	Part No.	Qty.	Description	Ref. No.	Part No.	Qty.	Description
3	24 153 16-S	1	O-Ring, valve cover	24	24 086 44-S	8	Screw, hex. flange
4	M-651030-S	8	Screw, Hex Flange	25	M-0640034-S	4	Screw, hex. flange
5	24 755 74-S	1	Kit, valve cover – plain (Includes 3,6)	26	24 755 75-S	1	Kit, valve cover – oil fill (Includes 3,6,27)
6	24 112 08-S	4	Spacer	27	24 153 09-S	1	O-Ring
7	24 445 01-S	1	Strap, lifting	28	12 445 05-S	1	Strap, Lifting
8	12 755 03-S	4	Kit, retainer	29	24 755 46-S	1	Kit, oil fill cap (Includes 30)
9	12 173 01-S	4	Cap, valve spring	30	12 153 03-S	1	O-Ring, oil fill cap
10	24 089 02-S	4	Spring, valve	31	24 402 03-S	1	Reed, breather
11	235011-S	4	Retainer, spring	32	12 018 01-S	1	Retainer, breather reed
12	24 032 05-S	2	Seal, valve stem	33	M-0545010-S	1	Screw, hex. flange
13	24 318 13-S	1	Head assembly, #1 cylinder	34	24 050 01-S	1	Filter, breather
14	24 017 01-S	2	Valve, intake (Std.)	35	24 033 01-S	1	Kit, breather (Includes 36-38)
	24 017 02-S	2	Valve, intake (.25)	36	X-75-23-S	1	Plug, allen head pipe
15	24 016 01-S	2	Valve, exhaust (Std.)	37	24 041 23-S	1	Gasket, breather
	24 016 02-S	2	Valve, exhaust (.25)	38	24 096 58-S	1	Cover, breather
16	24 755 66-S	1	Kit, valve train (Includes 18,21,22)	39	M-645020-S	4	Screw, hex. flange
17	12 351 02-S	4	Lifter, valve	40	25 237 08-S	2	Clamp, Hose
18	24 411 05-S	4	Rod, push	41	24 326 31-S	1	Hose, breather
19	24 041 37-S	2	Gasket, cylinder head				
20	24 318 14-S	1	Head assembly, #2 cylinder				
21	25 186 01-S	4	Arm, rocker				
22	24 599 01-S	4	Pivot, rocker arm				

Obtain Parts From Kohler

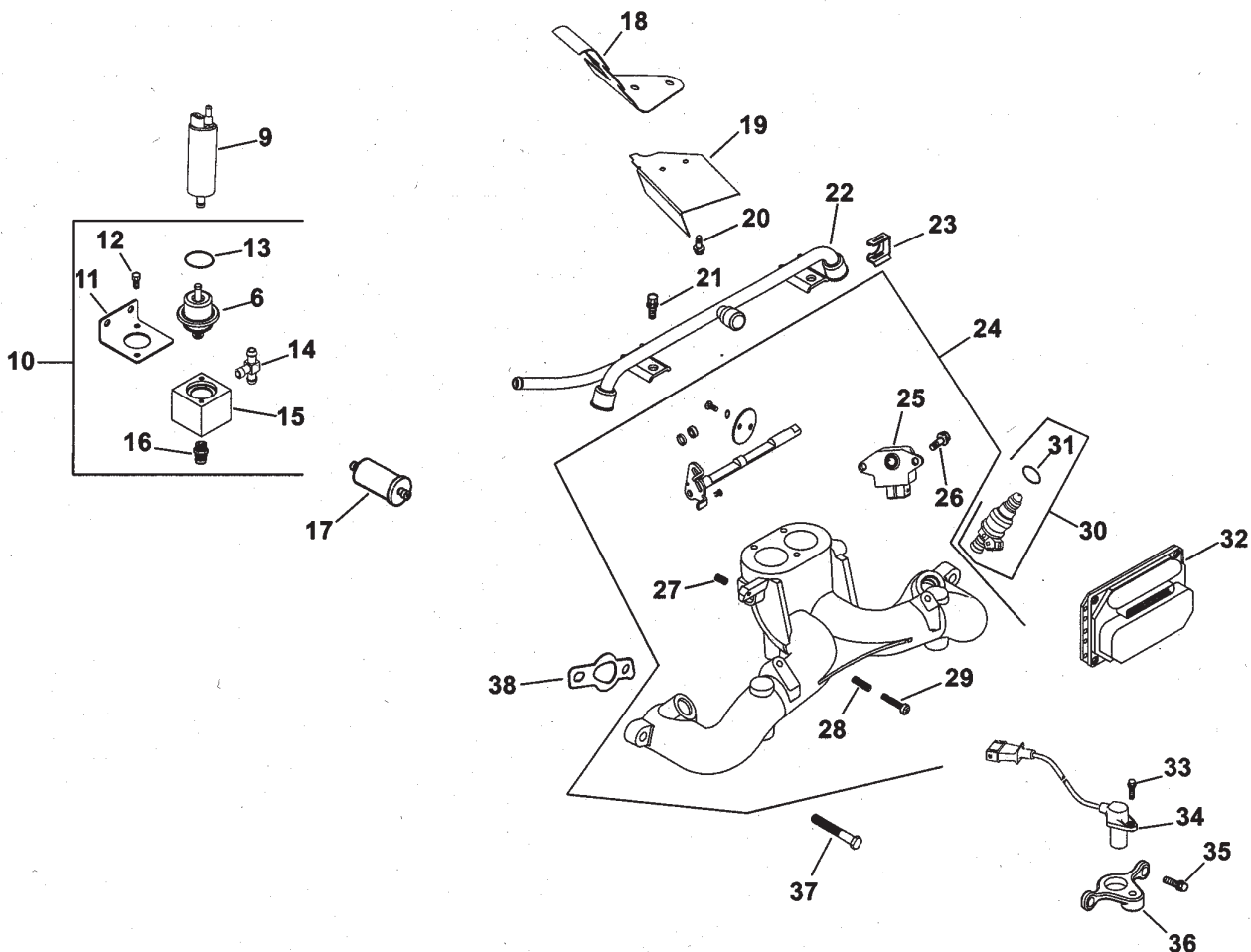


Group 5 – Ignition/Electrical (CH26S 78511 Kohler)

Ref. No.	Part No.	Qty.	Description
3	12 085 02-S	1	Stator
4	M-545030-S	2	Screw, hex. cap
5	24 025 09-S	1	Flywheel
6	X-42-15-S	1	Key
7	12 468 03-S	1	Washer, Plain 3/8"
8	12 086 14-S	1	Screw, Hex Flange
9	24 157 04-S	1	Fan
11	24 755 08-S	1	Kit, Front Drive Shaft (Includes 12)
12	M-839025-S	4	Scerw, Hex Flange
13	24 468 11-S	4	Washer, Spring
14	24 112 14-S	4	Spacer
15	24 141 06-S	1	Ring, Support
16	24 162 22-S	1	Screen, Grass
17	X-25-53-S	4	Washer, Plain
18	M-603100-S	4	Screw, Hex Cap
19	25 086 43-S	1	Screw, Set
20	25 755 23-S	1	Kit, Full Wave Conversion (Incl. 22,25 452 01-S & 24 518 12-S)
21	25 403 04-S	1	Rectifier-Regulator
22	236602-S	1	Connector (3 Contact)
23	X-25-92-S	2	Washer, Plain
24	24 086 18-S	2	Screw, Phillips
25	24 519 02-S	2	Coil, Ignition

Ref. No.	Part No.	Qty.	Description
26	24 112 16-S	4	Spacer
27	24 086 38-S	4	Screw, Phillips
28	24 131 02-S	2	Boot Assembly, Spark Plug
29	12 132 06-S	2	Spark Plug
31	25 155 04-S	2	Connector
32	48 154 02-S	1	Clip, Cable
33	M-545016-S	1	Screw, Hex Flange
34	25 237 06-S	1	Clamp, Hose
*	24 518 12-S	1	Lead, Black
*	25 452 01-S	1	Terminal
*	X-22-11-S	1	Washer, Lock

*Not Illustrated
Obtain Parts From Kohler

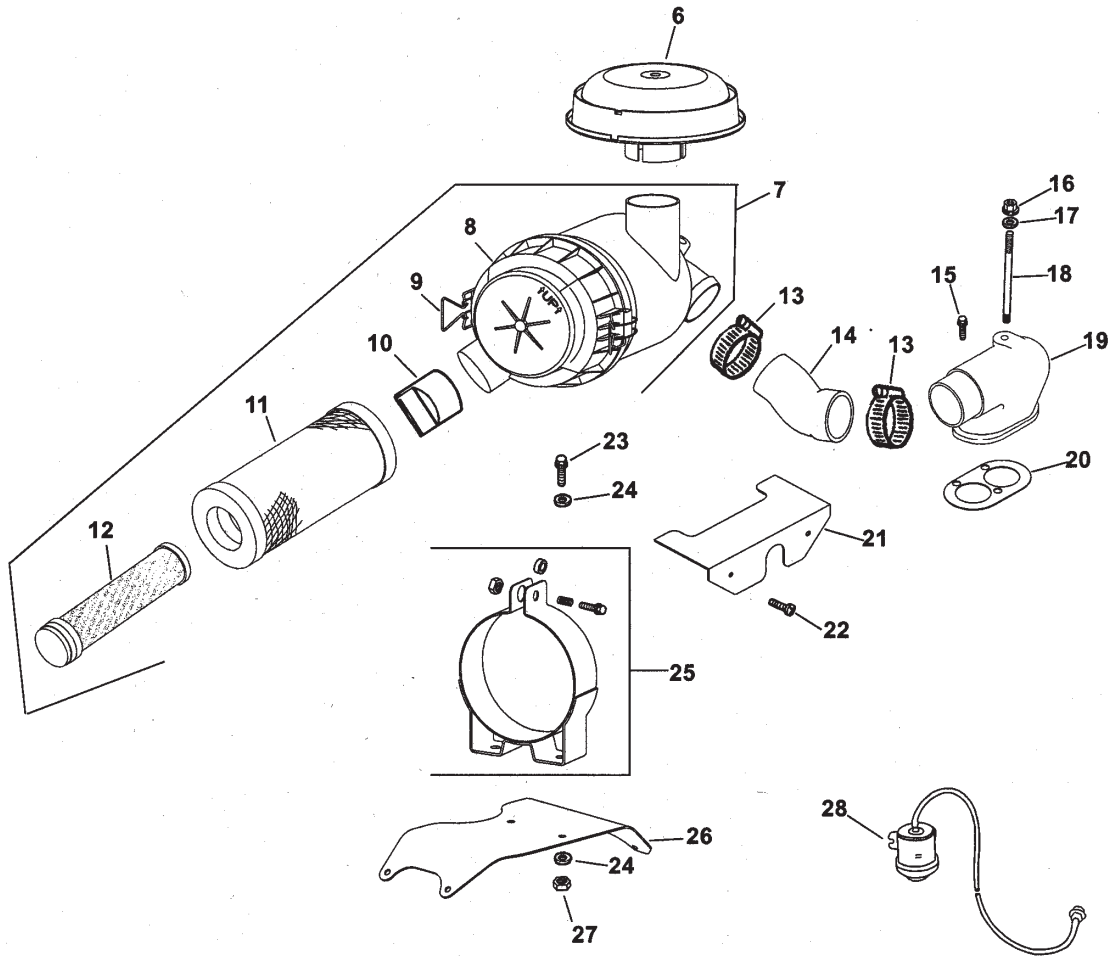


Group 8 – Fuel System (CH26S 78511 Kohler)

Ref. No.	Part No.	Qty.	Description
6	24 403 02-S	1	Regulator, Pressure
9	24 393 20-S	1	Pump Assembly, Fuel
10	24 403 12-S	1	Regulator ASM, Pressure (Incl.6,11-16)
11	24 126 86-S	1	Bracket, Regulator-Horizontal
12	M-410010-S	2	Screw, Hex Head
13	24 153 18-S	1	O-Ring
14	24 294 15-S	1	Fitting, Tee
15	24 081 12-S	1	Housing, regulator-Horizontal
16	25 326 03-S	1	Fitting
17	24 050 03-S	1	Filter, Fuel
18	24 063 37-S	1	Baffle, Valley
19	24 265 08-S	1	Deflector, Air
20	M-545010-S	2	Screw, Hex Flange
21	M-639010-S	2	Screw, Hex Flange
22	24 399 04-S	1	Rail, Fuel
23	24 154 05-S	2	Clip, Fuel Injector
24	24 164 38-S	1	Manifold ASM, Intake (Incl. 25-29 & 24 176 77-S)
25	24 418 06-S	1	Sensor, Throttle Position
26	M-442012-S	2	Screw, Pan Head
27	24 089 42-S	1	Spring, Idle Bump

Ref. No.	Part No.	Qty.	Description
28	12 089 11-S	1	Spring, Speed Control
29	M-442025-S	1	Screw, Hex Head
30	24 331 01-S	2	Injector, Fuel (Incl. 31)
31	24 153 20-S	2	O-Ring
32	24 584 08-S	1	Module, Ignition Management
33	24 086 42-S	1	Screw, Hex Flange
34	24 418 03-S	1	Sensor, Engine Speed
35	M-545016-S	2	Screw, Hex Flange
36	24 126 69-S	1	Bracket, Speed Sensor
37	M-639025-S	4	Screw, Hex Flange
38	24 041 01-S	2	Gasket, Intake Manifold
*	24 176 77-S	1	Harness, Wiring (Incl. 32)
*	24 113 78-S	1	Decal, Fuel Warning

*Not Illustrated
Obtain Parts From Kohler



Group 10 – Air Intake/Filtration (CH26S 78511 Kohler)

Ref. No.	Part No.	Qty.	Description	Ref. No.	Part No.	Qty.	Description
6	25 324 02-S	1	Hood, air Cleaner	28	25 755 24-S	1	Kit, Air Filter Guage
7	25 048 07-S	1	Cleaner ASM, Air (Incl. 8-12)	*	12 113 04-S	1	Decal, Air Cleaner
8	25 096 06-S	1	Cover Assembly				
9	25 154 05-S	2	Clip				
10	24 462 07-S	1	Valve, Dust Ejector				
11	25 083 01-S	1	Element, Air-Primary				
12	25 083 04-S	1	Element, Air-Safety				
13	X-426-9-S	2	Clamp				
14	24 326 32-S	1	Hose, Air Cleaner				
15	M-644025-S	2	Screw, Hex Socket Hd.				
16	M-641060-S	1	Nut, Hex Flange				
17	25 468 01-S	1	Washer, Copper				
18	M-629122-S	1	Stud, Carburetor				
19	24 029 33-S	1	Adapter, Remote Air Cleaner Assembly				
20	24 041 36-S	1	Gasket, Air Cleaner Base				
21	24 314 28-S	1	Shield, Debris				
22	24 086 06-S	2	Screw, Phillips Hd.				
23	M-639016-S	2	Screw, Hex Flange				
24	X-25-73-S	4	Washer, Plain				
25	25 126 02-S	1	Bracket ASM, Air Cleaner				
26	24 126 98-S	1	Bracket, Air Cleaner				
27	M-647060-S	1	Nut, Hex Lock				

Obtain Parts From Kohler

