



## Gearbox Kit for OFZ Mowers

Part No. 100-2419

**INSTALLATION  
INSTRUCTIONS**

### Loose Parts

**Note:** Use the chart below to identify parts for assembly.

DESCRIPTION	QTY.	USE
Gearbox	1	Install Gearbox
Screw	1	
Washer	1	
Pin	1	
Decal	1	Install Decal

### Removing Gearbox

1. Remove blades and blade retainers from beneath deck. Save the key from each gearbox output shaft for use with the new gearbox.
2. Remove any guards connected to the existing gearbox, and disconnect drive shaft.
3. Remove and discard the existing gearbox mounting bolts (8).
4. Remove existing gearbox from top of deck.

### Installing Gearbox

1. Place new gearbox on deck. The vertical output shafts should be centered in the two cone-shaped recesses in the top of the deck (Fig. 1).
2. Apply medium strength thread locker (provided) to the threads of the new gearbox mounting bolts.
3. Insert bolts, with washers, through mounting brackets and into gearbox mounting holes (Fig. 1). Torque mounting bolts to  $260 \pm 25$  in-lbs.

**IMPORTANT: Torque mounting bolts to  $260 \pm 25$  in-lbs.**

4. Connect driveshaft to gearbox (use new pin included in kit if needed). Reattach any guards that were removed for assembly, and connect blade assemblies to new gearbox.

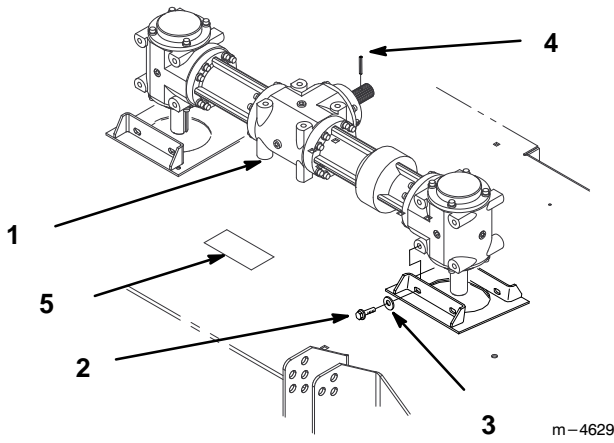


Figure 1

- |            |          |
|------------|----------|
| 1. Gearbox | 4. Pin   |
| 2. Bolt    | 5. Decal |
| 3. Washer  |          |

## Installing Decal

A new decal has been provided to replace the existing gearbox lubricant decal on the deck.

1. Thoroughly clean deck in area of lubrication decal. Install new decal over the existing decal.

## Gearbox Fluid

Change fluid:

- After initial 100 operating hours.

**Note:** Fluid will not have to be changed again after initial 100 hour fluid change.

Fluid Type: Automatic Transmission Fluid (Dexron® III or equivalent)

**IMPORTANT: Do not mix fluids. Use only Automatic Transmission Fluid.**

Gearbox Capacity: 5-1/2 oz. (129.6 ml) each box.

Check fluid: After every 100 operating hours.

## Changing Gearbox Fluid

The gearbox fluid must be changed after first 100 operating hours. Change all three gearboxes.

**IMPORTANT: Do not mix fluids. Use only Automatic Transmission Fluid.**

1. Warm the fluid in gearbox by running the mower deck for a few minutes.
2. Remove footrest and two shields that cover gearbox and PTO shaft (Fig. 2).

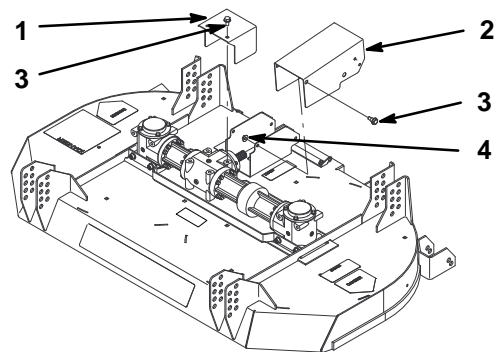


Figure 2

- |                   |          |
|-------------------|----------|
| 1. Gearbox Shield | 3. Screw |
| 2. PTO Shield     | 4. Nut   |

3. Raise deck to upright position.
4. With deck raised, remove plug on the bottom side of the gearbox. Let fluid fully drain into a pan. (Fig. 3).
5. Reinstall the bottom plug into the gearbox (Fig. 3).
6. Remove the top plug to fill gearbox (Fig. 3).
7. Fill gearbox with 5-1/2 (129.6 ml) ounces of automatic transmission fluid (Dexron® III).
8. Reinstall the top plug into the gearbox (Fig. 3).
9. Repeat for remaining gearboxes.

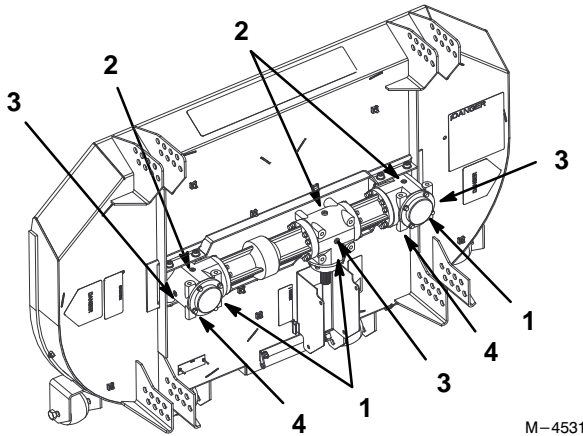


Figure 3

- |             |                |
|-------------|----------------|
| 1. Gearbox  | 3. Side plug   |
| 2. Top plug | 4. Bottom plug |

## Checking Gearbox Fluid

The gearbox fluid must be checked after every 100 operating hours. Check all three gearboxes.

1. Warm the fluid in gearbox, by running the mower deck for a few minutes.
2. Raise deck to upright position.
3. Remove plug on the side of the gearbox. The fluid level must be up to side hole in gearbox (Fig. 3).
4. If needed, fill automatic transmission fluid (Dexron® III) into top hole until it runs out the side hole in gearbox. Gearbox is full when fluid runs out the side hole (Fig. 3).

**IMPORTANT: Do not mix fluids. Use only Automatic Transmission Fluid.**

5. Reinstall the top and side plugs into gearbox with pipe sealant (Fig. 3).
6. Repeat for remaining gearboxes.

