



Proline 13 HP
Mid-Size Traction Unit
Model No. 30194-20000001 and Up

Parts Catalog

Ordering Replacement Parts

To order replacement parts, please supply: the part number, the quantity, and the description of each part desired.

Understanding Reference Numbers

Each identified part in an illustration has a reference number. The reference number for a part also appears in the parts list, along with other information about the part.

This catalog uses two special reference number formats, one to indicate parts in a service assembly and another to indicate the quantity of a given part in an illustration.

Service Assembly Reference Numbers

Parts in service assemblies have reference numbers in the form **a:b**. The **a** represents the reference number of the entire service assembly and the **b** represents a sequential number unique to each part within the service assembly.

For example, a wheel assembly might be identified by reference number **6**, the tire by **6:1**, the valve by **6:2**, and the wheel by **6:3**. When you order the assembly identified by reference number **6**, you receive all parts identified by reference numbers **6:1**, **6:2**, and **6:3**. However, you may also order any part individually.

Reference numbers of this type appear in illustrations and in part lists.

Reference Numbers Indicating Quantity

In an illustration, if a reference number indicates more than one part, the reference number has the form **nX y**. The **n** represents the quantity of the part, the **X** is the multiplication symbol, and the **y** represents the reference number.

For example, in an illustration, the reference number **2X 37** means that two of the parts identified by reference number **37** are indicated.

Contents

Description	Page	Description	Page
Engine & Fuel System Assembly	3	Front Castors & Blade	
Transmission & Drive Pulley Assembly	4	Brake System Assembly (cont.)	9
Wheel Drive Assembly	5	Spindle Assembly	10
Upper Handle Assembly	6	Schematic	11
36" Deck Assembly	7	Transmission	12-13
Front Castors & Blade		Maintenance	14-15
Brake System Assembly	8		

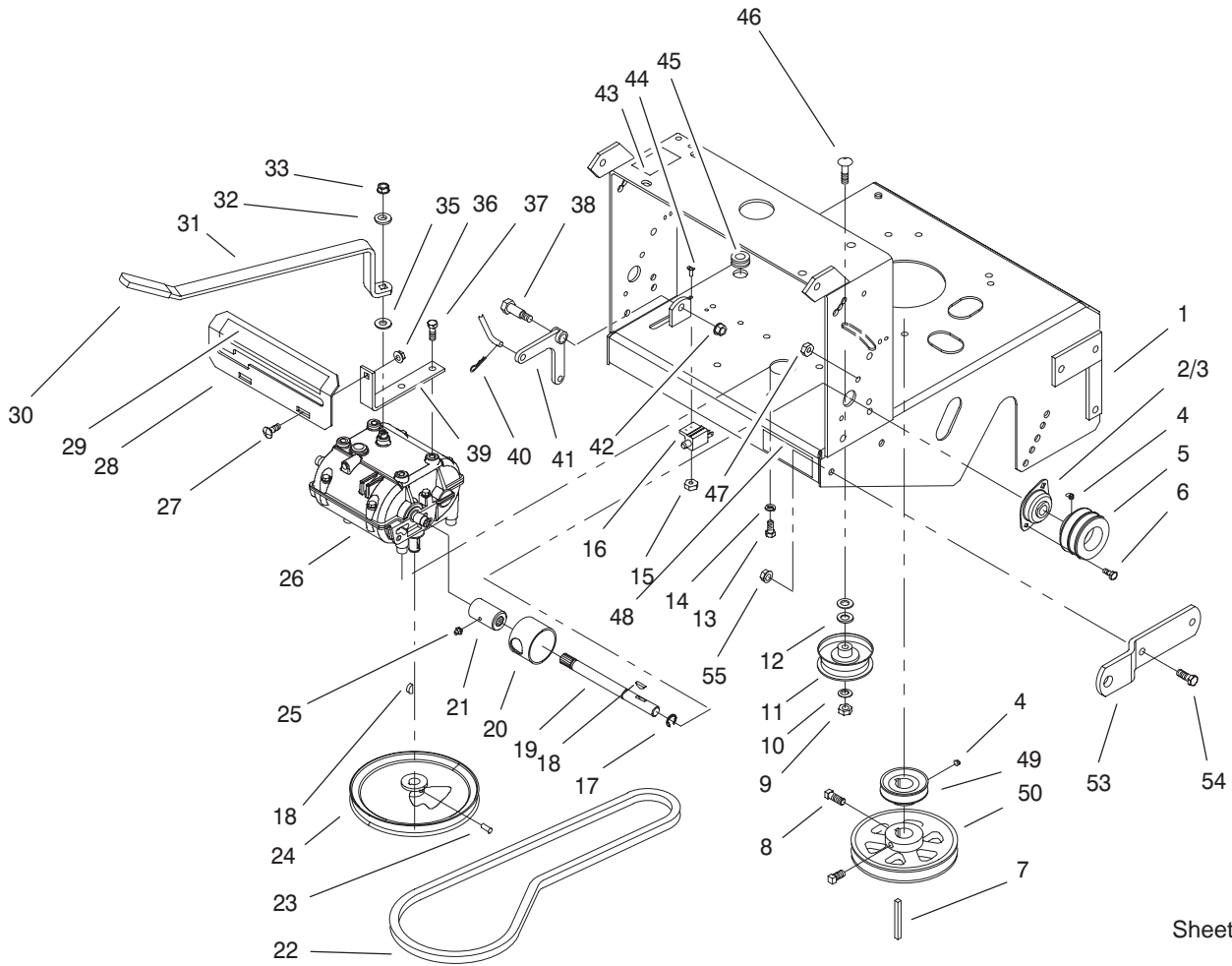
Accessories

Description	Model / Part No.	Description	Model / Part No.
Recycler Kit	Model No. 30142	Low Sail Blade	Part No. E633485
Bagging Kit	Model No. 30198		

Part Description Abbreviations

Part descriptions in this catalog may include the following abbreviations.

Abbreviation	Meaning	Abbreviation	Meaning
AR	as required	INC	incorporated
ASM	assembly	LH	left hand
CARR	carriage	NI	nylon insert
DEG	degrees	PPH	Phillips pan head
FH	flat head	PTH	Phillips truss head
GA	gauge	PTO	power take off
HF	hex flange	RH	right hand
HH	hex head	SFH	slotted fillister head
HHF	hex head flange	SHH	slotted hex head
HLH	hex lag head	SQH	square head
HJ	hex jam	SHWH	slotted hex washer head
HOC	height-of-cut	SPH	slotted pan head
HS	hex socket	SRH	slotted round head
HSBH	hex socket button head	STD	standard
HSFH	hex socket flat head	TAP	self tapping
HSH	hex socket head	TTH	Torx truss head
HWH	hex washer head	WH	wing head
HWHTF	hex washer head thread forming		

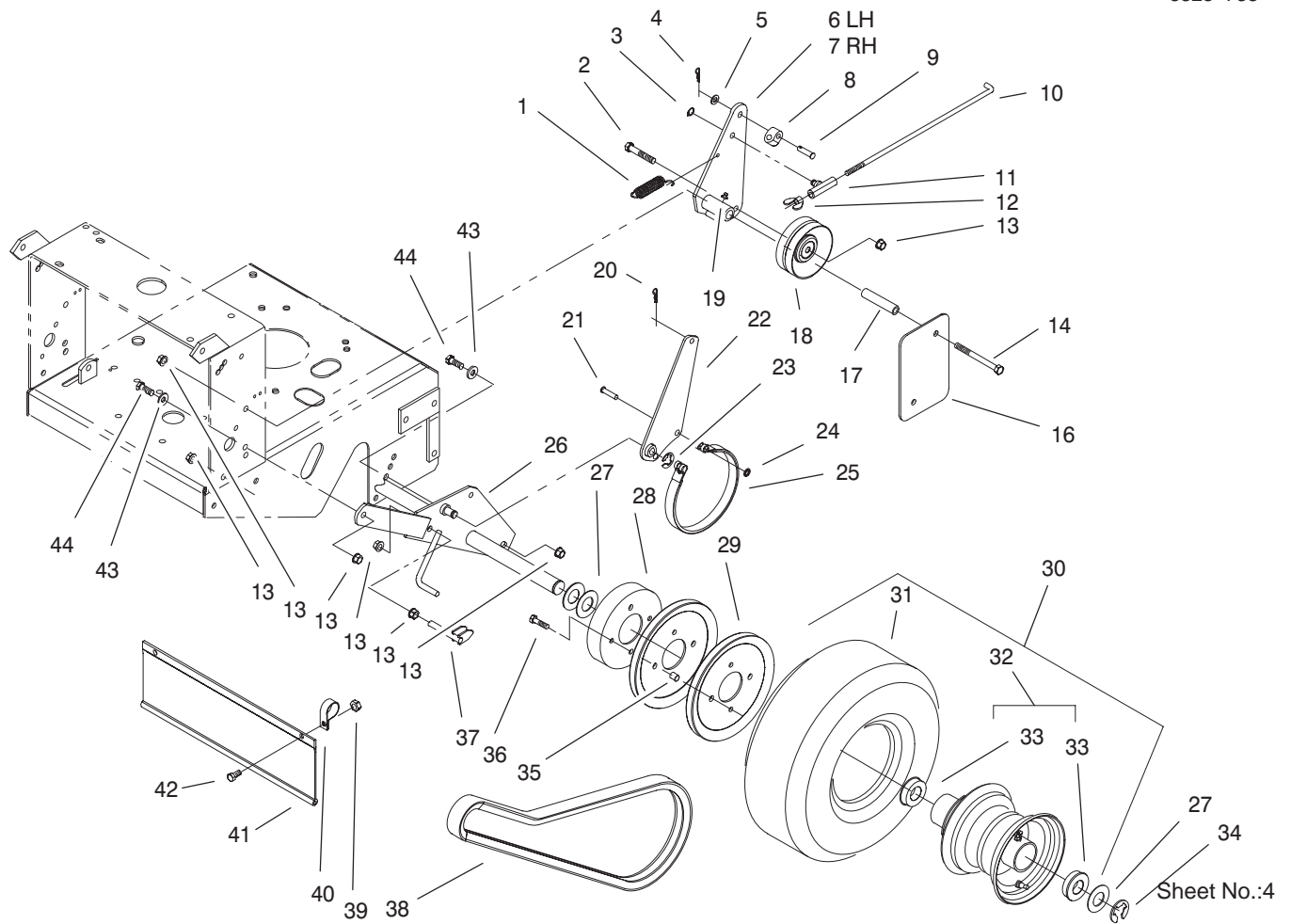


Sheet No.:3

Transmission & Drive Pulley Assembly

Ref. No.	Part No.	Qty.	Description
1	E402112	1	Rear Deck Weldment
2	E323252	2	Bearing Trans Shaft
3	E323254	2	Flange, Output
4	E803310	3	Screw-Set
5	E323257	2	Sheave,Wheel Drive
6	321-3	4	Screw-HH
7	E807264	1	Key-Mach
8	3242-4	2	Screw-Set,SQH
9	3296-39	1	Nut-Lock, NI
10	3256-24	1	Washer-Flat
11	E323285	1	Idler Pulley, Trans
12	3256-5	2	Washer-Flat
13	322-3	4	Screw-HH
14	3253-4	4	Washer-Lock/Sp
15	3296-2	2	Nut-Lock
16	E513152	1	Switch-Seat
17	E808523	2	Ring,Retng Ext Wlds
18	E807009	3	Key-Woodruff
19	E323502	2	Output Shaft, Trans
20	51-4220	2	Guard-Coupler
21	E323680	2	Coupling
22	E323630	1	Belt-Trans Drive
23	E803293	2	Screw-Set
24	E323278	1	Sheave, Trans Drive
25	302-19	2	Fitting - Grease
26	E323500	1	Transmission

Ref. No.	Part No.	Qty.	Description
27	3230-1	2	Screw-CARR
28	E323387	1	Shifter Plate
29	E323560	1	Decal-Ground Speed
30	E303020	1	Grip
31	E323570	1	Lever-Shift
32	E303327	1	Washer-Spring, Disc
33	3296-6	1	Nut-Lock, NI
35	E323379	1	Washer, Shifter Lever
36	32128-20	2	Nut-HF
37	32104-32	4	Screw-HH
38	E603403	1	Bolt-Shoulder
39	E323389	2	Leg - Shifter Lever
40	3290-307	1	Hairpin
41	E303186	1	Bell Crank
42	3290-357	1	Nut-Flange, Lock
43	95-2814	1	Decal - Fuel Shut Off
44	E803028	2	Screw
45	E543296	1	Grommet-Line, Fuel
46	E807511	1	Bolt-Carriage
47	3296-42	4	Nut-Lock
48	E323562	1	Decal - Caution
49	E323256	1	Sheave,Trans Drive
50	E303555	1	Pulley-Blade Drive
53	E323318	2	Hitch - Bracket
54	323-6	4	Screw-HH
55	3290-357	4	Nut-Flange, Lock

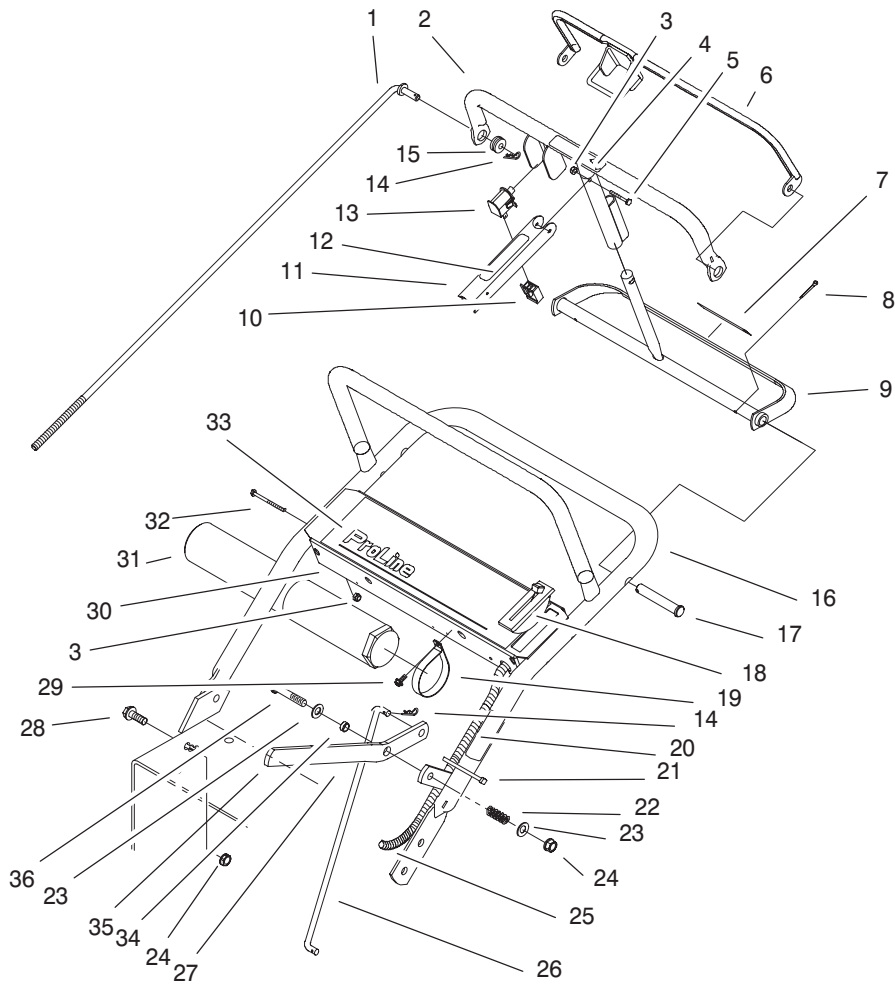


Sheet No.:4

Wheel Drive Assembly

Ref. No.	Part No.	Qty.	Description
1	E323574	2	Spring-Extension
2	323-10	2	Screw-HH
3	E808522	2	Ring,Klip
4	3290-307	2	Hairpin
5	3256-23	2	Washer-Flat
6	E322205	1	LH Idler Arm ASM
7	E322206	1	RH Idler Arm ASM
8	74-0521	2	Fitting-Rod
9	283-6	2	Pin-Clevis
10	E323296	2	Brake Rod
11	E322125	2	Swivel-Brake
12	E513959	2	Wingnut-Nylok
13	3290-357	14	Nut-Flange, Lock
14	323-16	4	Screw-HH
16	E323632	2	Shield, Whl Dr Pntd
17	E323694	4	Idler
18	E323634	2	Idler Pulley,Wheel Drive
19	302-19	2	Fitting - Grease
20	3290-307	2	Hairpin
21	E323307	4	Pin, Clevis
22	E322209	2	Brake Arm ASM,Welded
23	E808501	2	Ring,Snap E
24	E803051	4	Nut-Push
25	E323595	2	Band-Brake

Ref. No.	Part No.	Qty.	Description
26	E322212	1	Axle ASM, Welded
27	E543436	8	Spacer-18 GA
27	E523157	6	Spacer-14 GA
28	E323261	2	Drum-Brake
29	E323253	4	Sheave
30	E323276	2	Wheel/Tire ASM
31	E303125	2	Tire
32	E323328	2	Rim Only w/Bearings
33	E323329	4	Bearing
34	E808519	2	Ring,Snap E
35	E323260	8	Spacer
36	E803054	8	Bolt-Whiz Lock
37	E412358	2	Scraper
38	E323631	2	Belt-Driver
39	3296-29	2	Nut-Lock,NI
40	2412-104	2	R Clamp
41	E323607	1	Shield-Trailing
42	322-3	2	Screw-HH
43	E303327	4	Washer-Spring, Disc
44	323-6	4	Screw-HH

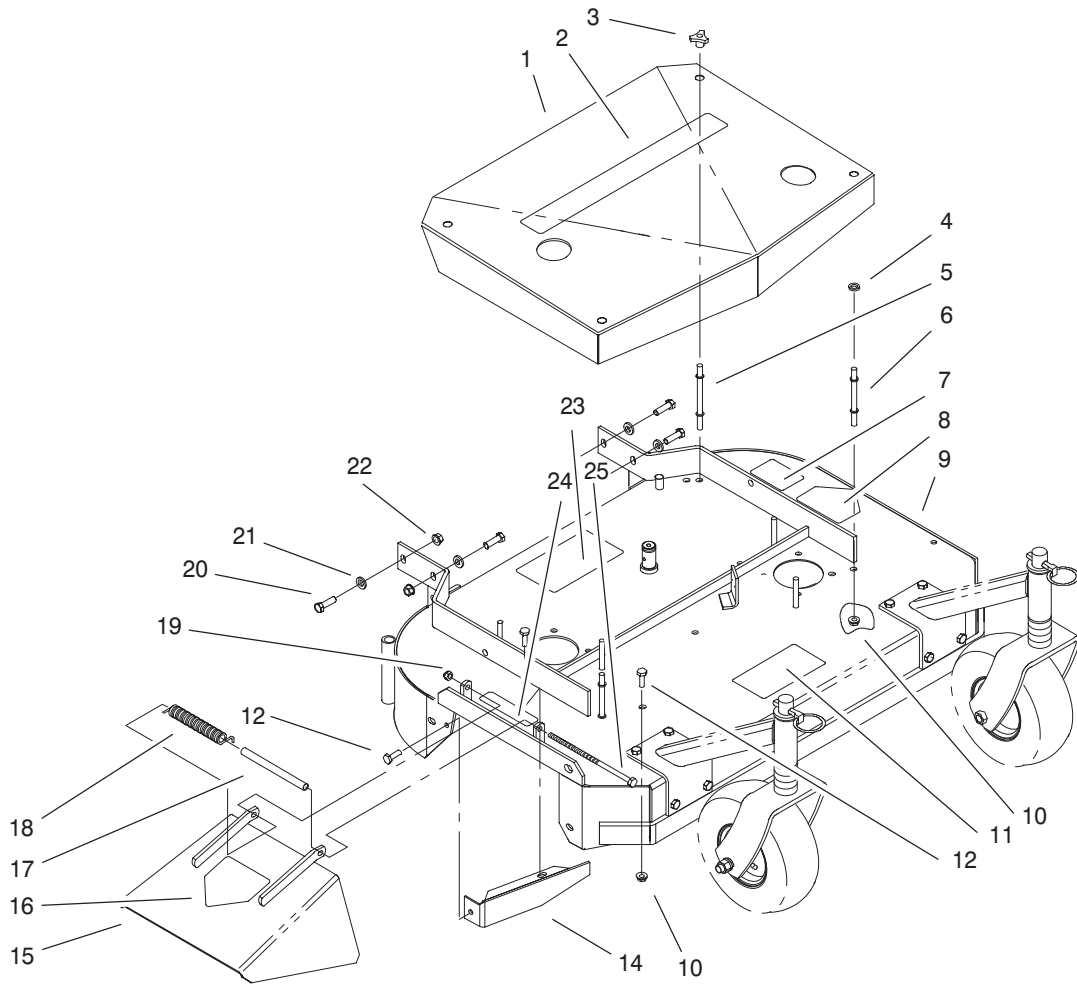


Sheet No.:5

Upper Handle Assembly

Ref. No.	Part No.	Qty.	Description
1	E323569	2	Rod-Control
2	E322215	1	Control Bar
3	3296-2	5	Nut-Lock
4	82-2290	1	Decal - Control Bar
5	32105-1	1	Screw-Srh
6	E322208	1	Bail ASM
7	82-2280	1	Decal-Reverse Handle
8	3272-11	2	Pin-Cotter
9	99-8501	1	Pivot-Control
10	218-595	1	Connector-Body
11	E323614	1	Lever-Parking Brake
12	E323558	1	Decal-Parking Brake
13	740275	1	Switch,Seat
14	3290-307	3	Hairpin
15	237-141	2	Grommet-Rubber
16	E322216	1	Upper Handle ASM
17	283-55	2	Pin-Clevis
18	E323637	1	Throttle Control
19	2412-120	2	R-Clamp
20	E323563	1	Decal-Blade Engagement
21	3290-378	1	Tie-Cable
22	E303160	1	Spring
23	3256-24	2	Washer-Flat
24	3296-39	5	Nut-Lock, NI

Ref. No.	Part No.	Qty.	Description
25	98-3258	1	Wire Harness-Kohler
26	E323576	1	Linkage-Blade Drive
27	E323573	1	Lever-Blade Engagement
28	323-6	4	Screw-HH
29	32104-76	2	Screw-Acorn Slot
30	E304259	1	Panel-Control w/Decal
31	74-0720	1	Tube-Manual
32	32105-14	4	Screw-Slotted Hd
33	E323564	1	Decal-Panel
34	99-8509	1	Spacer
35	E303020	1	Grip
36	323-10	1	Screw-HH

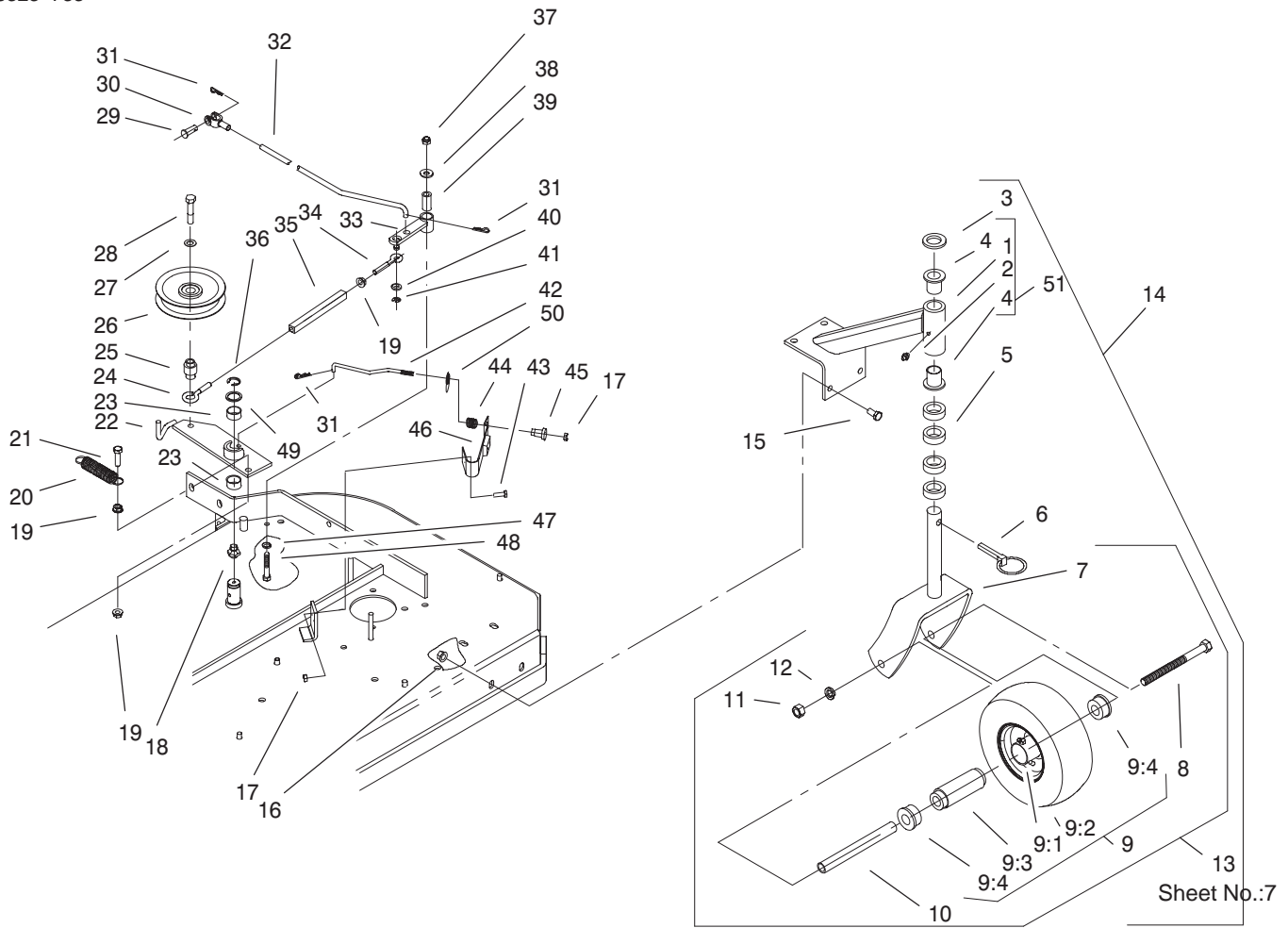


Sheet No.:6

36" Deck Assembly

Ref. No.	Part No.	Qty.	Description
1	E304258	1	Belt Cover w/Decal
2	E323566	1	Decal-Proline 36
3	E323385	4	Knob,Belt Cover
4	E323417	4	Washer,Belt Cover Mount
5	E303536	2	Stud-Belt Shield (Long)
6	E303537	2	Stud-Belt Shield(Short)
7	E323659	1	Torque Decal
8	43-8480	1	Decal-Danger
9	E304273	1	36" Deck w/Decals
10	32128-20	12	Nut-HF
11	66-1340	1	Decal-Danger
12	322-2	8	Screw-HH
14	E302189	1	Baffle Weldment,Dogleg
15	E304256	1	Discharge Chute w/Decal
16	54-9220	1	Decal-Danger
17	E323572	1	Spacer
18	E323575	1	Spring-Deflector
19	3296-29	1	Nut-Lock,NI
20	323-8	6	Screw-HH
21	E303327	6	Washer-Spring, Disc
22	3290-357	6	Nut-Flange, Lock

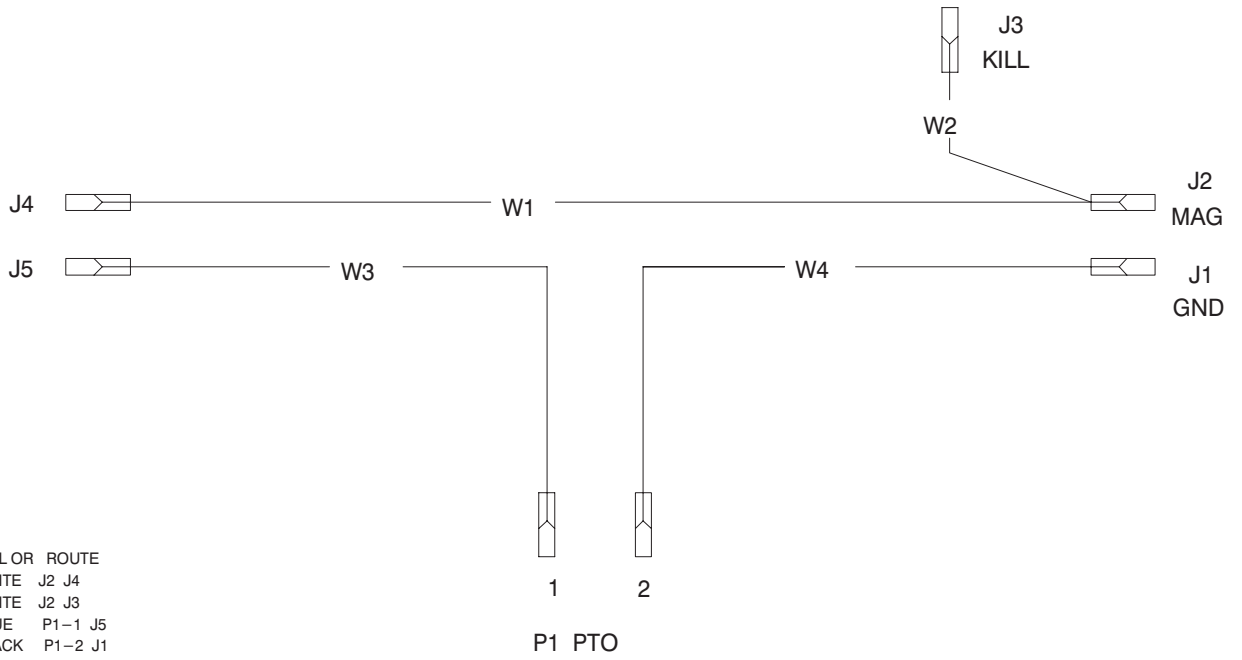
Ref. No.	Part No.	Qty.	Description
23	98-3296	1	Decal-Belt Routing
24	67-5360	1	Decal-Danger
25	E800289	1	Screw-Cap HH



Front Castors & Blade Brake System Assembly

Ref. No.	Part No.	Qty.	Description
1	E302194	2	Support Weldment,Caster
2	302-52	2	Grease Fitting 1/8-27
3	E513338	2	Wshr-Pltd
4	E303514	4	Bearing-Flanged
5	E303314	8	Spacer,10' Caster
6	E809020	2	Ring-Retaining
7	E322145	2	Fork Wldmnt, Pntd
8	325-20	2	Screw-HH
9	E513648	2	Wheel/Tire ASM
9:1	E513807	1	Assmby - Wheel Hub
9:2	E513808	1	Tire-9 X 3.50-4 4 Ply
9:3	E513809	1	Bearing
9:4	E513810	2	Bushing
10	E513547	2	Spacer,Front Caster
11	3217-9	2	Nut-Hex
12	3253-7	2	Washer-Lock/Sp
13	E322154	2	Caster/Wheel Assy
14	E322153	2	Caster/Mount ASM
15	323-4	8	Screw-HH
16	3290-357	8	Nut-Flange, Lock
17	3296-42	3	Nut-Lock
18	302-19	1	Fitting - Grease
19	32128-20	3	Nut-HF
20	E323071	1	Spring
21	322-6	1	Screw-HH

Ref. No.	Part No.	Qty.	Description
22	E324408	1	Engagement Arm w/Bushings
23	E323729	2	Bearing-Sleeve
24	E303348	1	Eye Bolt, LH Thread
25	E303434	1	Bushing
26	E603843	1	Pulley-Idler
27	E303327	1	Washer-Spring, Disc
28	323-10	1	Screw-HH
29	E808280	1	Pin-Clevis
30	E303105	1	Yoke-Adjustable
31	3290-307	3	Hairpin
32	E323303	1	Linkage-Assist Arm,Pltd
33	E322235	1	Assist Arm ASM (Welded)
34	E303238	1	Eye Bolt,RH Thread
35	E303236	1	Turnbuckle Body
36	32151-103	1	Ring-Snap
37	3296-29	1	Nut-Lock,NI
38	3256-3	1	Washer-Flat
39	E403179	1	Tube-Pivot
40	3256-23	1	Washer-Flat
41	E808512	1	E-Ring
42	E323715	1	Rod-Brake
43	321-4	2	Screw-HH
44	E323747	1	Spring-Compression



WIRE LIST

DESIG.	AWG	COLOR	ROUTE
W1	16	WHITE	J2 J4
W2	16	WHITE	J2 J3
W3	16	BLUE	P1-1 J5
W4	16	BLACK	P1-2 J1

Wiring Schematic

Ref. No.	Part No.	Qty.	Description

Ref. No.	Part No.	Qty.	Description

PEERLESS TRANSMISSION MODEL 700-070A

Ref. No.	Part No.	Description	No. Used	Ref. No.	Part No.	Description	No. Used
1	772083A	Transmission Cover	1	52	778124A	Spur Gear (30 Teeth)	1
2	780086A	Needle Bearing	1	53	778123A	Spur Gear (25 Teeth)	1
2A	780142	Needle Bearing	1	56	778145	Spur Gear (12 Teeth-Steel)	1
3	770061A	Transmission Case	1	57	778151	Spur Gear (15 Teeth)	1
4	776134	Countershaft	1	58	778240	Spur Gear (18 Teeth-Steel)	1
8	792089A	Shift Key	4	59	778126A	Spur Gear (20 Teeth)	1
9	784266	Shift Collar	1	60	778127A	Spur Gear (25 Teeth)	1
10	784376	Shift Rod & Fork	1	65	780139	Washer	1
11	778154	Bevel Gear (42 Teeth)	1	66	776135	Input Shaft (3-11/16" long)	1
12	778176	Bevel Pinion (14 Teeth- Steel)	1	67	776402	Shifter & Brake Shaft	1
20	792077A	Ball 5/16" Dia.	1	71	788069	Square Cut Ring	1
21	792078	Set Screw	1	72	792074	Threaded Plug	1
22	792079	Spring	1	81	786081	Roller Chain (No. 41 Chain, 24 Links)	1
24	780071	Thrust Bearing	1	82	786082	Sprocket (9 Teeth)	1
25	792073A	Screw	6	83	786083	Sprocket (18 Teeth)	1
27	792035	Retaining Ring	1	90	788067B	Grease (32 oz. Bottle Bentonite Grease)	1
28	788040	Retaining Ring	1	150	510334	Gasket Eliminator (Loctite #515)	1
29	780072	Washer	6	178	786176	Coupling (Optional)	1
30	780108	Washer	5	179	776401	Connector Shaft (Optional)	1
32	792001	O-Ring	2				
34	780105A	Flanged Bushing	4				
49	778146A	Spur Gear (37 Teeth)	1				
50	778125	Spur Gear (35 Teeth)	1				
51	778239A	Spur Gear (32 Teeth-Steel)	1				

