



Proline 14 HP
Mid-Size Traction Unit
Model No. 30196-20000001 and Up

Parts Catalog

Ordering Replacement Parts

To order replacement parts, please supply: the part number, the quantity, and the description of each part desired.

Understanding Reference Numbers

Each identified part in an illustration has a reference number. The reference number for a part also appears in the parts list, along with other information about the part.

This catalog uses two special reference number formats, one to indicate parts in a service assembly and another to indicate the quantity of a given part in an illustration.

Service Assembly Reference Numbers

Parts in service assemblies have reference numbers in the form **a:b**. The **a** represents the reference number of the entire service assembly and the **b** represents a sequential number unique to each part within the service assembly.

For example, a wheel assembly might be identified by reference number **6**, the tire by **6:1**, the valve by **6:2**, and the wheel by **6:3**. When you order the assembly identified by reference number **6**, you receive all parts identified by reference numbers **6:1**, **6:2**, and **6:3**. However, you may also order any part individually.

Reference numbers of this type appear in illustrations and in part lists.

Reference Numbers Indicating Quantity

In an illustration, if a reference number indicates more than one part, the reference number has the form **nX y**. The **n** represents the quantity of the part, the **X** is the multiplication symbol, and the **y** represents the reference number.

For example, in an illustration, the reference number **2X 37** means that two of the parts identified by reference number **37** are indicated.

Contents

Description	Page
Engine & Fuel System Assembly	3
Transmission & Drive Pulley Assembly	4
Wheel Drive Assembly	5
Upper Handle Assembly	6
Front Casters, & Blade Brake Assembly	7
Front Casters, & Blade Brake Assembly (cont.)	8
Spindle Assembly	9
48" Deck Idler Pulleys Assembly	10
48"Deck Assembly	11
Schematic	12
Cylinder/Crankcase	13

Description	Page
Piston/Crankshaft	14
Valve/Camshaft	15
Lubrication-Equipment	16
Cooling Equipment	17
Electric-Equipment	18
Control-Equipment	19
Carburetor	20
Air Filter/Muffler	21
Starter	22
Starter	23
Transmission	24-25
Maintenance	26-27

Accessories

Description	Model / Part No.
Recycler Kit	Model No. 30143
Bagging Kit	Model No. 30198

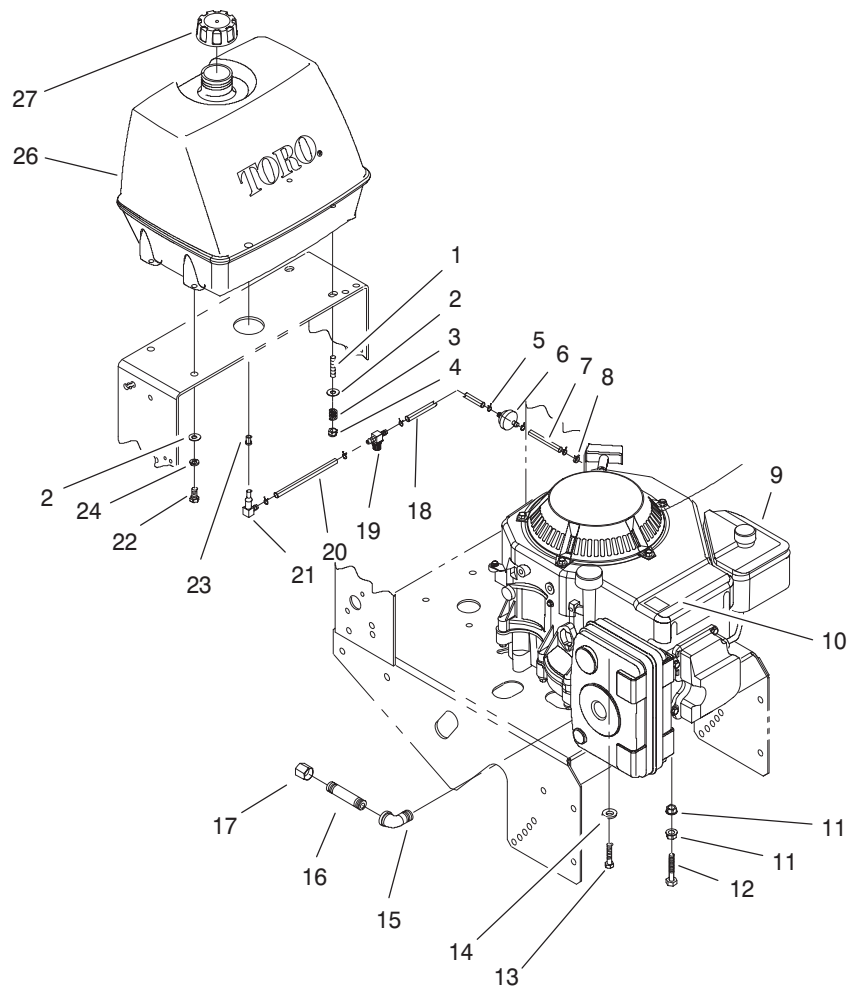
Description	Model / Part No.
Low Sail Blade	Part No. E403149

Part Description Abbreviations

Part descriptions in this catalog may include the following abbreviations.

Abbreviation	Meaning
AR	as required
ASM	assembly
CARR	carriage
DEG	degrees
FH	flat head
GA	gauge
HF	hex flange
HH	hex head
HHF	hex head flange
HLH	hex lag head
HJ	hex jam
HOC	height-of-cut
HS	hex socket
HSBH	hex socket button head
HSFH	hex socket flat head
HSH	hex socket head
HWH	hex washer head
HWHTF	hex washer head thread forming

Abbreviation	Meaning
INC	incorporated
LH	left hand
NI	nylon insert
PPH	Phillips pan head
PTH	Phillips truss head
PTO	power take off
RH	right hand
SFH	slotted fillister head
SHH	slotted hex head
SQH	square head
SHWH	slotted hex washer head
SPH	slotted pan head
SRH	slotted round head
STD	standard
TAP	self tapping
TTH	Torx truss head
WH	wing head

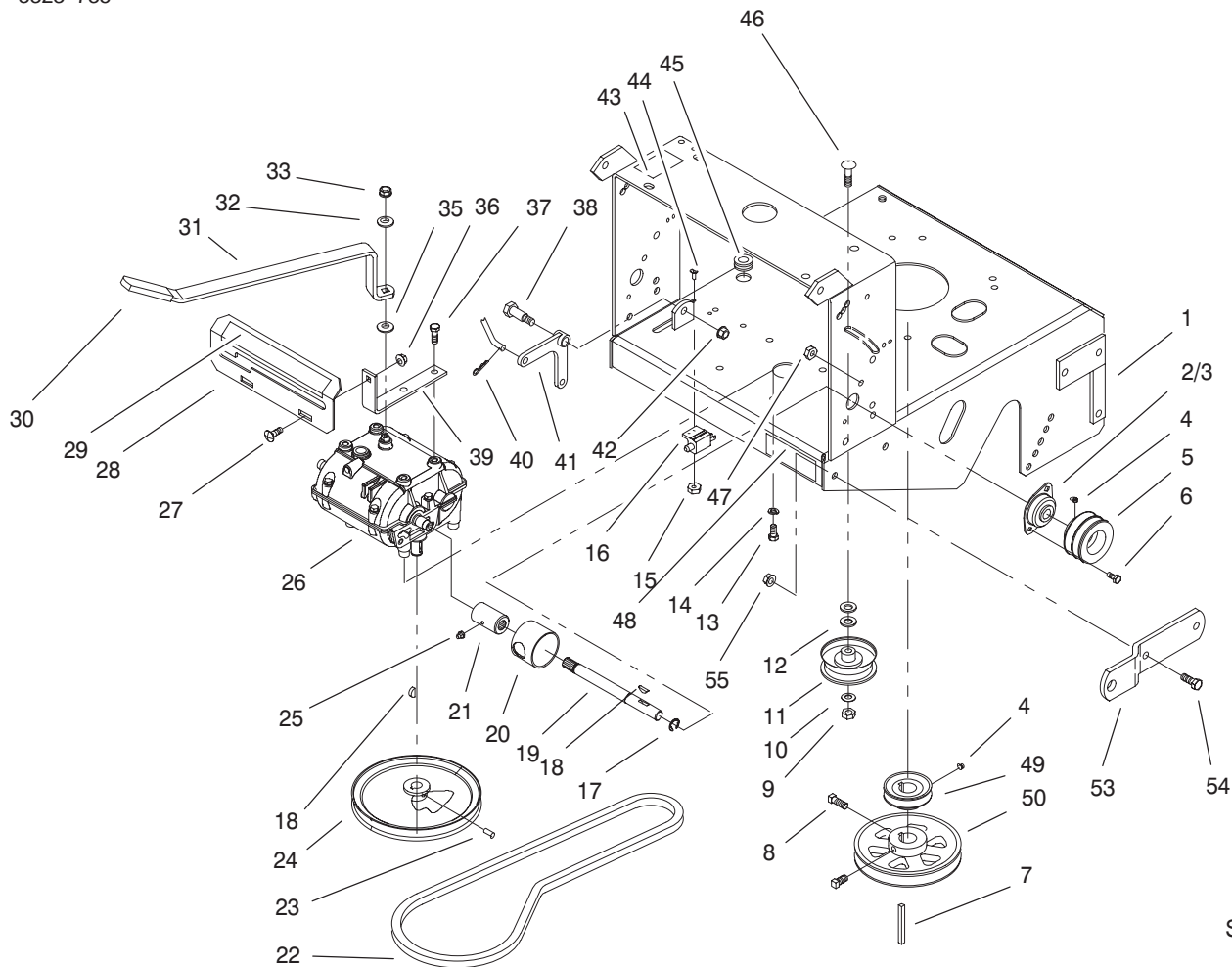


Sheet No.:2

Engine & Fuel System Assembly

Ref. No.	Part No.	Qty.	Description	Ref. No.	Part No.	Qty.	Description
1	E633023	2	Stud	26	E323551	1	Tank – Fuel
2	3256-23	4	Washer-Flat	27	E513508	1	Cap – Tank, Fuel
3	E633349	2	Spring-Tank, Fuel	*99	E303287	1	Tie-Plastic
4	3296-47	2	Nut-Lock, NI	*99	E303335	1	Tie-Plastic
5	E303077	5	Clamp – Gas Line				
6	E303197	1	Filter – Gas				
7	E303471	1	Fuel Line – 12 Inch				
8	E303308	1	Clamp – Fuel Line				
9	E303477	1	Engine – 14.0 Kaw				
10	63-8440	1	Decal – Hot Surface				
11	3290-357	2	Nut-Flange, Lock				
12	323-13	1	Screw-HH				
13	33114-025	4	Screw-HH				
14	E303334	4	Washer-Disc Spring				
15	E303431	1	Elbow-90° St Brass				
16	E323326	1	Nipple – 3/8 Npt Sch40				
17	E543233	1	Nut-Cap				
18	E603776	1	Fuel Line – 2.5 Inch				
19	E603770	1	Valve – Gas				
20	E603955	1	Fuel Line – 6 Inch				
21	E543277	1	Elbow-Tank, Fuel				
22	322-3	2	Screw-HH				
23	E513645	1	Bushing-Valve, Fuel				
24	3253-4	2	Washer-Lock/Sp				

* Not illustrated

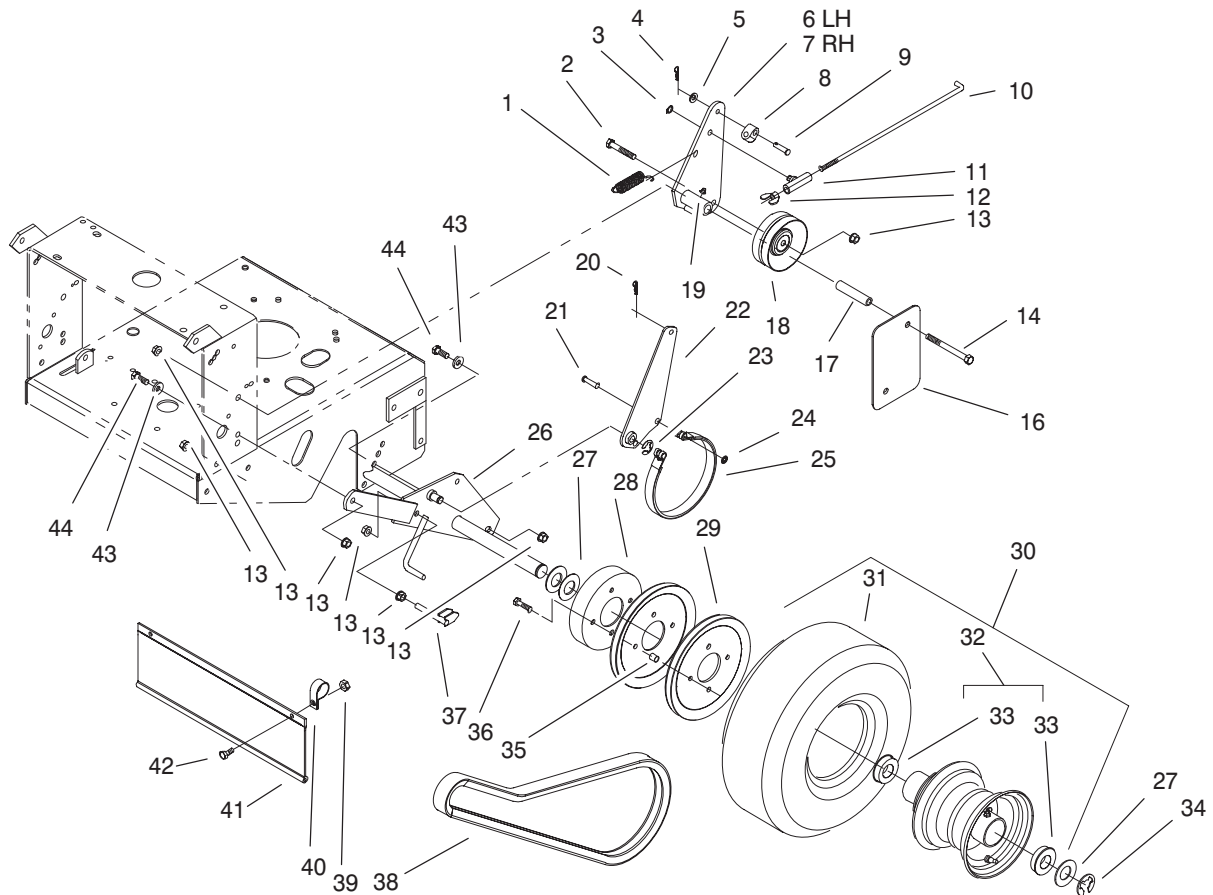


Sheet No.:3

Transmission & Drive Pulley Assembly

Ref. No.	Part No.	Qty.	Description
1	E402112	1	Rear Deck Weldment
2	E323252	2	Bearing Trans Shaft
3	E323254	2	Flange, Output
4	E803310	3	Screw-Set
5	E323257	2	Sheave,Wheel Drive
6	321-3	4	Screw-HH
7	E807264	1	Key-Mach
8	3242-4	2	Screw-Set,SQH
9	3296-39	1	Nut-Lock, NI
10	3256-24	1	Washer-Flat
11	E323285	1	Idler Pulley, Trans
12	3256-5	2	Washer-Flat
13	322-3	4	Screw-HH
14	3253-4	4	Washer-Lock/Sp
15	3296-2	2	Nut-Lock
16	E513152	1	Switch-Seat
17	E808523	2	Ring,Retng Ext Wlds
18	E807009	3	Key-Woodruff
19	E323502	2	Output Shaft, Trans
20	51-4220	2	Guard-Coupler
21	E323680	2	Coupling
22	E323630	1	Belt-Trans Drive
23	E803293	2	Screw-Set
24	E323278	1	Sheave, Trans Drive
25	302-19	2	Fitting - Grease
26	E323500	1	Transmission

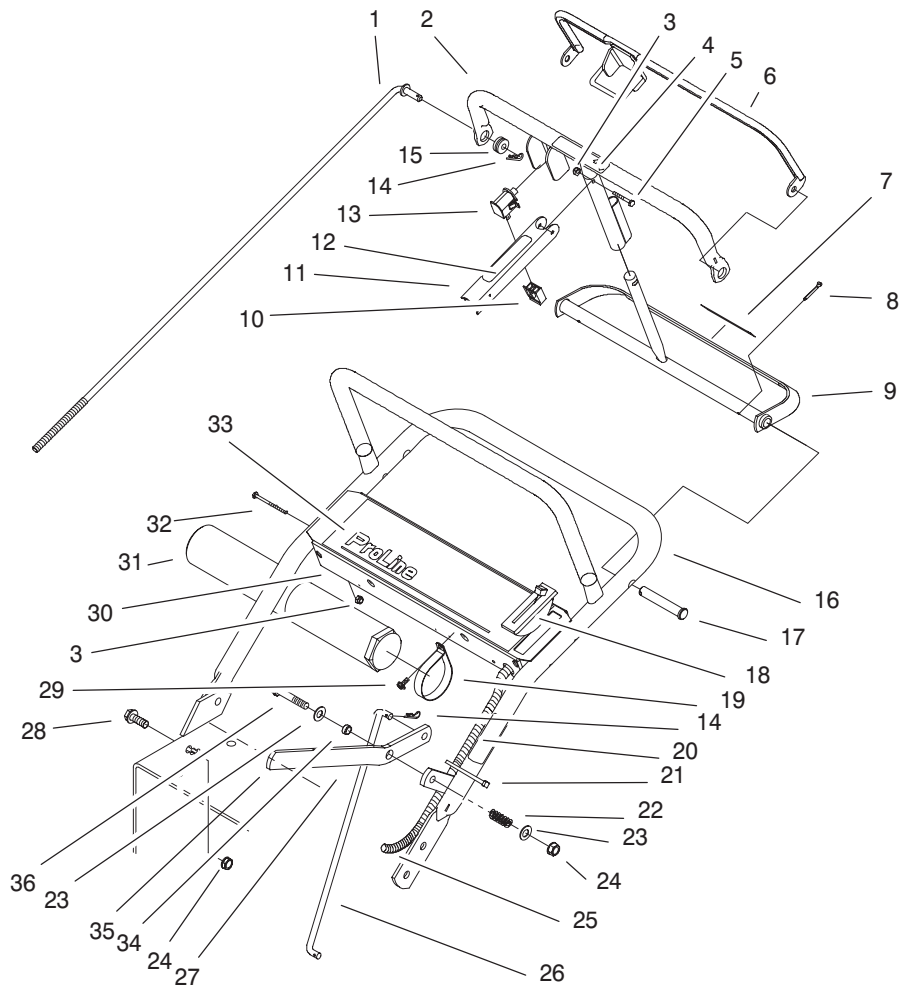
Ref. No.	Part No.	Qty.	Description
27	3230-1	2	Screw-CARR
28	E323387	1	Shifter Plate
29	E323560	1	Decal-Ground Speed
30	E303020	1	Grip
31	E323570	1	Lever-Shift
32	E303327	1	Washer-Spring, Disc
33	3296-6	1	Nut-Lock, NI
35	E323379	1	Washer, Shifter Lever
36	32128-20	2	Nut-HF
37	32104-32	4	Screw-HH
38	E603403	1	Bolt-Shoulder
39	E323389	2	Leg - Shifter Lever
40	3290-307	1	Hairpin
41	E303186	1	Bell Crank
42	3290-357	1	Nut-Flange, Lock
43	95-2814	1	Decal - Fuel Shut Off
44	E803028	2	Screw
45	E543296	1	Grommet-Line, Fuel
46	E807511	1	Bolt-Carriage
47	3296-42	4	Nut-Lock
48	E323562	1	Decal - Caution
49	E323256	1	Sheave,Trans Drive
50	E403160	1	Pulley-Blade Drive
53	E323318	2	Hitch - Bracket
54	323-6	4	Screw-HH
55	3290-357	4	Nut-Flange, Lock



Sheet No.:4

Wheel Drive Assembly

Ref. No.	Part No.	Qty.	Description	Ref. No.	Part No.	Qty.	Description
1	E323574	2	Spring-Extension	26	E322212	1	Axle ASM, Welded
2	323-10	2	Screw-HH	27	E543436	8	Spacer-18 GA
3	E808522	2	Ring,Klip	27	E523157	6	Spacer
4	3290-307	2	Hairpin	28	E323261	2	Drum-Brake
5	3256-23	2	Washer-Flat	29	E323253	4	Sheave
6	E322205	1	LH Idler Arm ASM	30	E323276	2	Wheel/Tire ASM
7	E322206	1	RH Idler Arm ASM	31	E303125	2	Tire
8	74-0521	2	Fitting-Rod	32	E323328	2	Rim Only w/Bearings
9	283-6	2	Pin-Clevis	33	E323329	4	Bearing
10	E323296	2	Brake Rod	34	E808519	2	Ring,Snap E
11	E322125	2	Swivel-Brake	35	E323260	8	Spacer
12	E513959	2	Wingnut-Nylok	36	E803054	8	Bolt-Whiz Lock
13	3290-357	14	Nut-Flange, Lock	37	E412358	2	Scraper
14	323-16	4	Screw-HH	38	E323631	2	Belt-Driver
16	E323632	2	Shield, Whl Dr Pntd	39	3296-29	2	Nut-Lock,NI
17	E323694	4	Idler	40	2412-104	2	R Clamp
18	E323634	2	Idler Pulley,Wheel Drive	41	E323607	1	Shield-Trailing
19	302-19	2	Fitting - Grease	42	322-3	2	Screw-HH
20	3290-307	2	Hairpin	43	E303327	4	Washer-Spring, Disc
21	E323307	4	Pin, Clevis	44	323-6	4	Screw-HH
22	E322209	2	Brake Arm ASM,Welded				
23	E808501	2	Ring,Snap E				
24	E803051	4	Nut-Push				
25	E323595	2	Band-Brake				

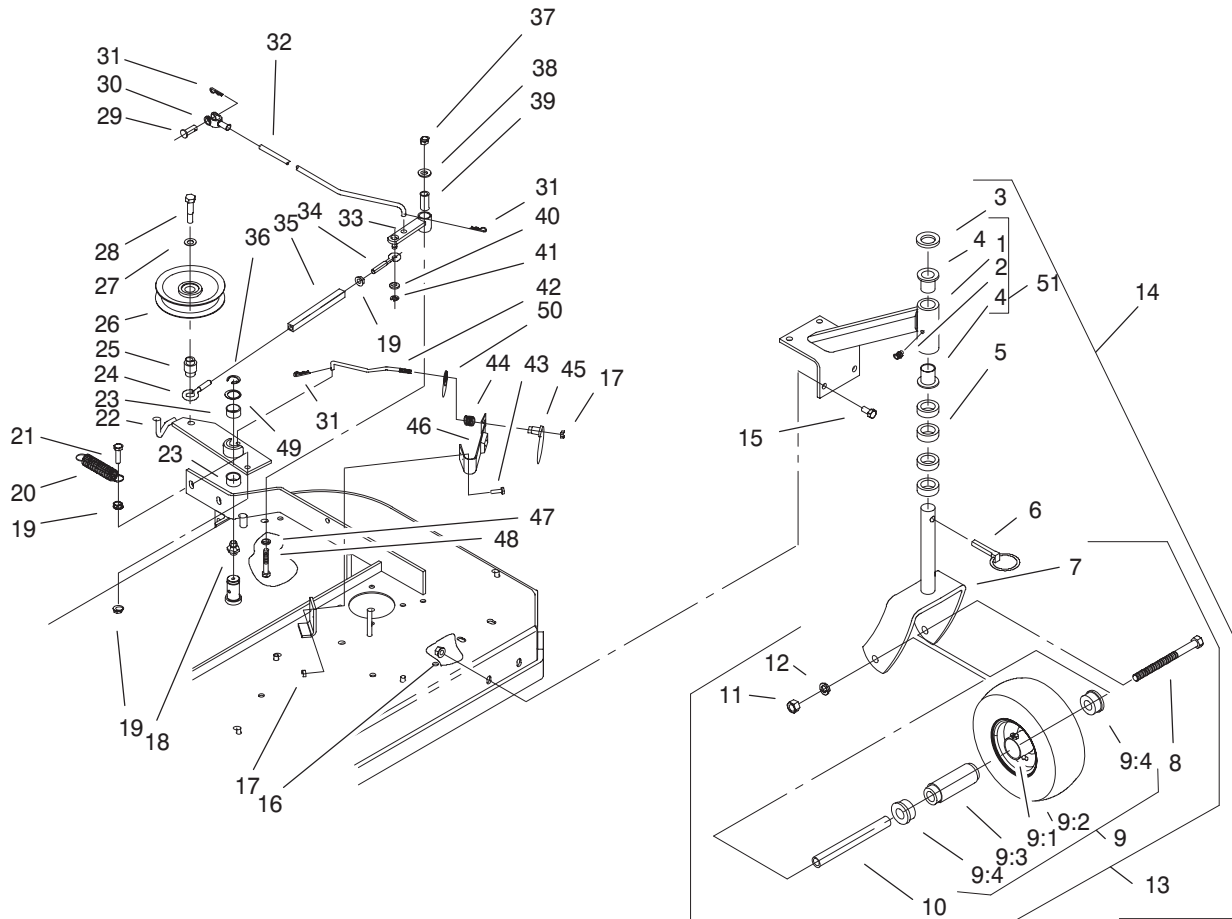


Sheet No.:5

Upper Handle Assembly

Ref. No.	Part No.	Qty.	Description
1	E323569	2	Rod-Control
2	E322215	1	Control Bar
3	3296-2	5	Nut-Lock
4	82-2290	1	Decal - Control Bar
5	32105-1	1	Screw-Srh
6	E322208	1	Bail ASM
7	82-2280	1	Decal-Reverse Handle
8	3272-11	2	Pin-Cotter
9	99-8501	1	Pivot-Control
10	218-595	1	Connector-Body
11	E323614	1	Lever-Parking Brake
12	E323558	1	Decal-Parking Brake
13	740275	1	Switch,Seat
14	3290-307	3	Hairpin
15	237-141	2	Grommet-Rubber
16	E322216	1	Upper Handle ASM
17	283-55	2	Pin-Clevis
18	E323637	1	Throttle Control
19	2412-120	2	R-Clamp
20	E323563	1	Decal-Blade Engagement
21	3290-378	1	Tie-Cable
22	E303160	1	Spring
23	3256-24	2	Washer-Flat
24	3296-39	5	Nut-Lock, NI

Ref. No.	Part No.	Qty.	Description
25	98-3257	1	Wire Harness-Kawasaki
26	E323576	1	Linkage-Blade Drive
27	E323573	1	Lever-Blade Engagement
28	323-6	4	Screw-HH
29	32104-76	2	Screw-Acorn Slot
30	E304259	1	Panel-Control w/Decal
31	74-0720	1	Tube-Manual
32	32105-14	4	Screw-Slotted Hd
33	E323564	1	Decal-Panel
34	99-8509	1	Spacer
35	E303020	1	Grip
36	323-10	1	Screw-HH

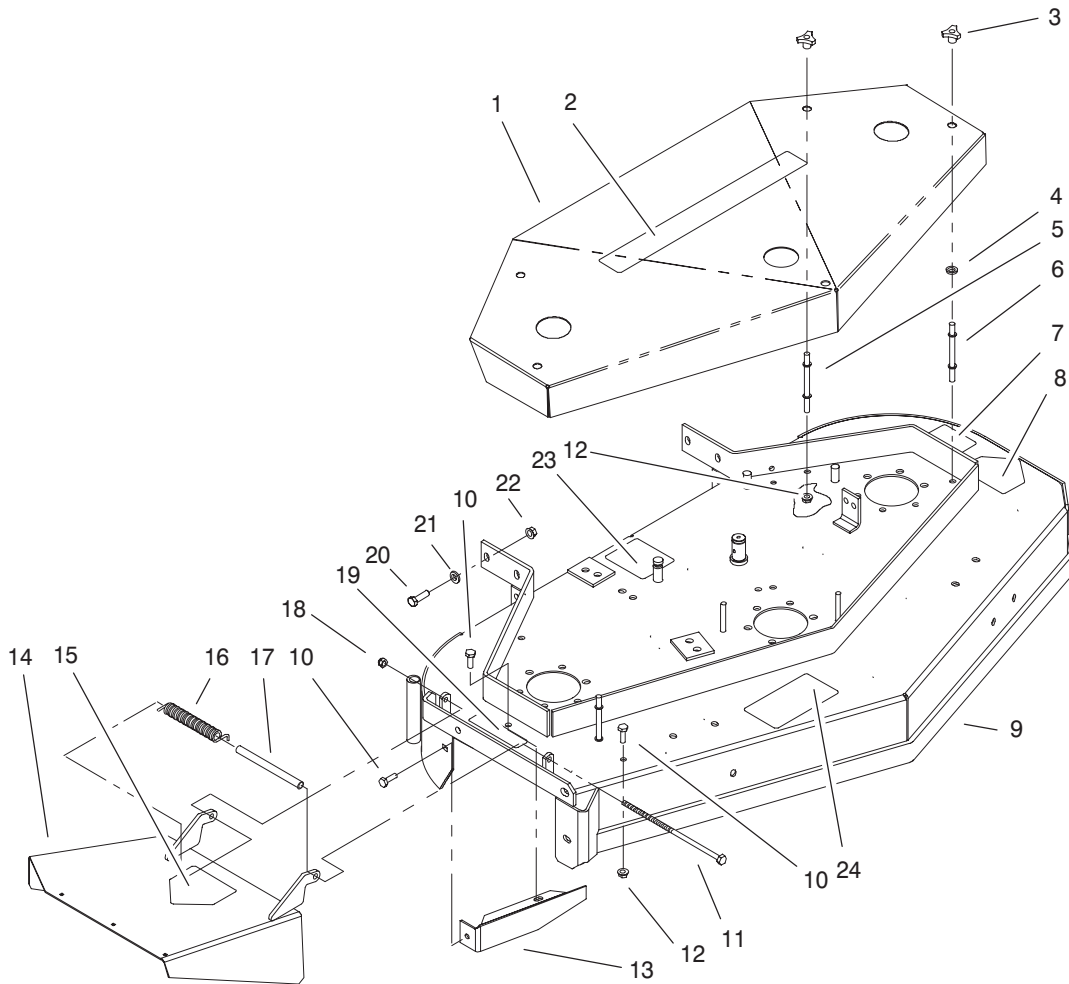


Sheet No.:7

Front Casters, & Blade Brake Assembly

Ref. No.	Part No.	Qty.	Description
1	E302194	2	Support Weldment,Caster
2	302-52	2	Grease Fitting 1/8-27
3	E513338	2	Wshr-Pltd
4	E303514	4	Bearing-Flanged
5	E303314	8	Spacer,10' Caster
6	E809020	2	Ring-Retaining
7	E322145	2	Fork Wldmnt, Pntd
8	325-20	2	Screw-HH
9	E513648	2	Wheel/Tire ASM
9:1	E513807	1	Assmbly - Wheel Hub
9:2	E513808	1	Tire-9 X 3.50-4 4 Ply
9:3	E513809	1	Bearing
9:4	E513810	2	Bushing
10	E513547	2	Spacer,Front Caster
11	3217-9	2	Nut-Hex
12	3253-7	2	Washer-Lock/Sp
13	E322154	2	Caster/Wheel Assy
14	E322153	2	Caster/Mount ASM
15	323-4	8	Screw-HH
16	3290-357	8	Nut-Flange, Lock
17	3296-42	3	Nut-Lock
18	302-19	1	Fitting - Grease
19	32128-20	3	Nut-HF
20	E323071	1	Spring
21	322-6	1	Screw-HH

Ref. No.	Part No.	Qty.	Description
22	E402109	1	Engagement Arm w/Bushings
23	E323729	2	Bearing-Sleeve
24	E303348	1	Eye Bolt, LH Thread
25	E303434	1	Bushing
26	E603843	1	Pulley-Idler
27	E303327	1	Washer-Spring, Disc
28	323-10	1	Screw-HH
29	E808280	1	Pin-Clevis
30	E303105	1	Yoke-Adjustable
31	3290-307	3	Hairpin
32	E323303	1	Linkage-Assist Arm,Pltd
33	E322230	1	Assist Arm ASM
34	E303238	1	Eye Bolt,RH Thread
35	E303236	1	Turnbuckle Body
36	32151-103	1	Ring-Snap
37	3296-29	1	Nut-Lock,NI
38	3256-3	1	Washer-Flat
39	E403179	1	Tube-Pivot
40	3256-23	1	Washer-Flat
41	E808512	1	E-Ring
42	E323714	1	Rod-Brake
43	321-4	2	Screw-HH
44	E323747	1	Spring-Compression
45	E323746	1	Spacer-Flanged

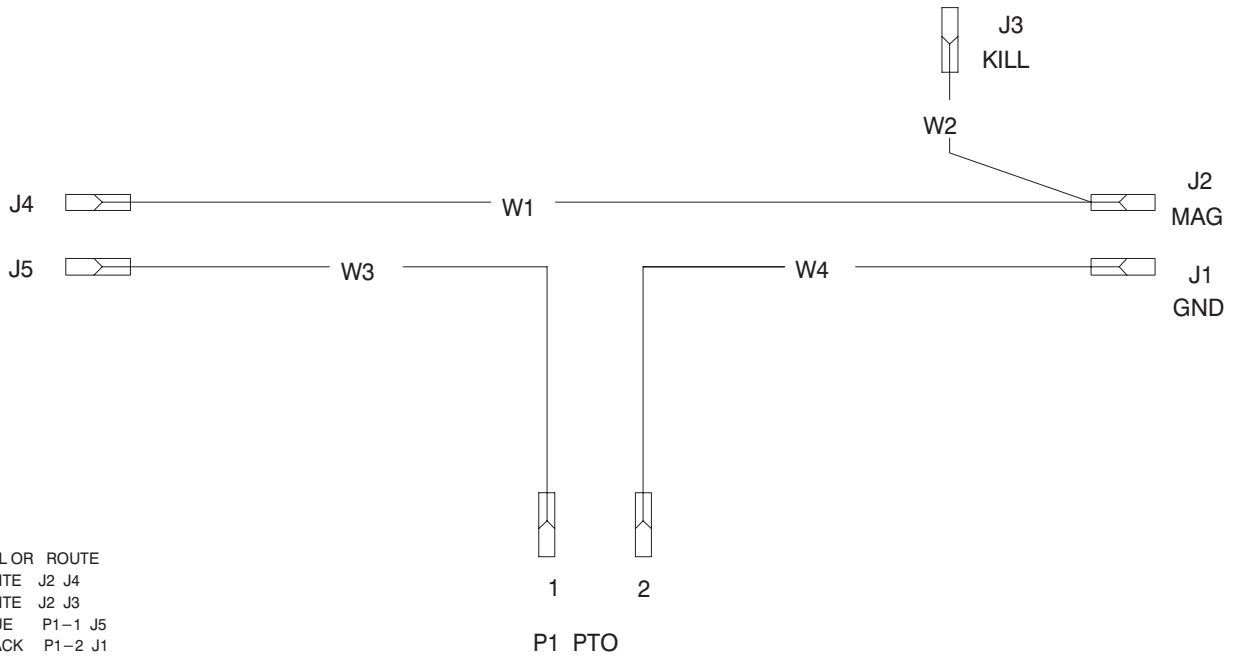


Sheet No.:10

48"Deck Assembly

Ref. No.	Part No.	Qty.	Description
1	E404246	1	Cover – Belt
2	E323561	1	Decal
3	E323385	5	Knob,Belt Cover
4	E323417	5	Washer,Belt Cover Mount
5	E303536	3	Stud-Belt Shield (Long)
6	E303537	2	Stud-Belt Shield(Short)
7	E323659	1	Torque Decal
8	43-8480	1	Decal-Danger
9	E404270	1	48" Deck ASM w/Decals
10	322-2	7	Screw-HH
11	E800291	1	Screw-Cap HH
12	32128-20	11	Nut-HF
13	E402107	1	Baffle Weldment,Dogleg
14	E404245	1	Chute – Discharge
15	54-9220	1	Decal-Danger
16	E323575	1	Spring-Deflector
17	E323636	1	Spacer – Spring
18	3296-29	1	Nut-Lock,NI
19	67-5360	1	Decal-Danger
20	323-8	6	Screw-HH

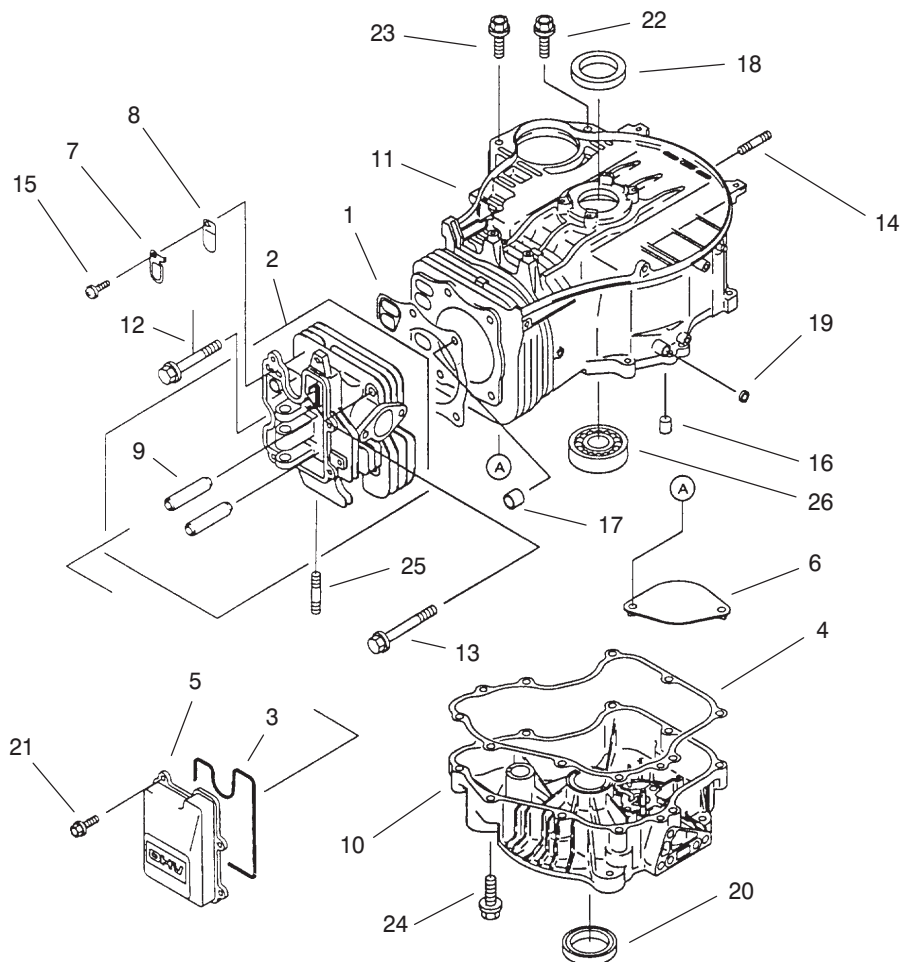
Ref. No.	Part No.	Qty.	Description
21	E303327	6	Washer-Spring, Disc
22	3290-357	6	Nut-Flange, Lock
23	99-3943	1	Decal-Routing, Belt
24	66-1340	1	Decal-danger



Wiring Schematic

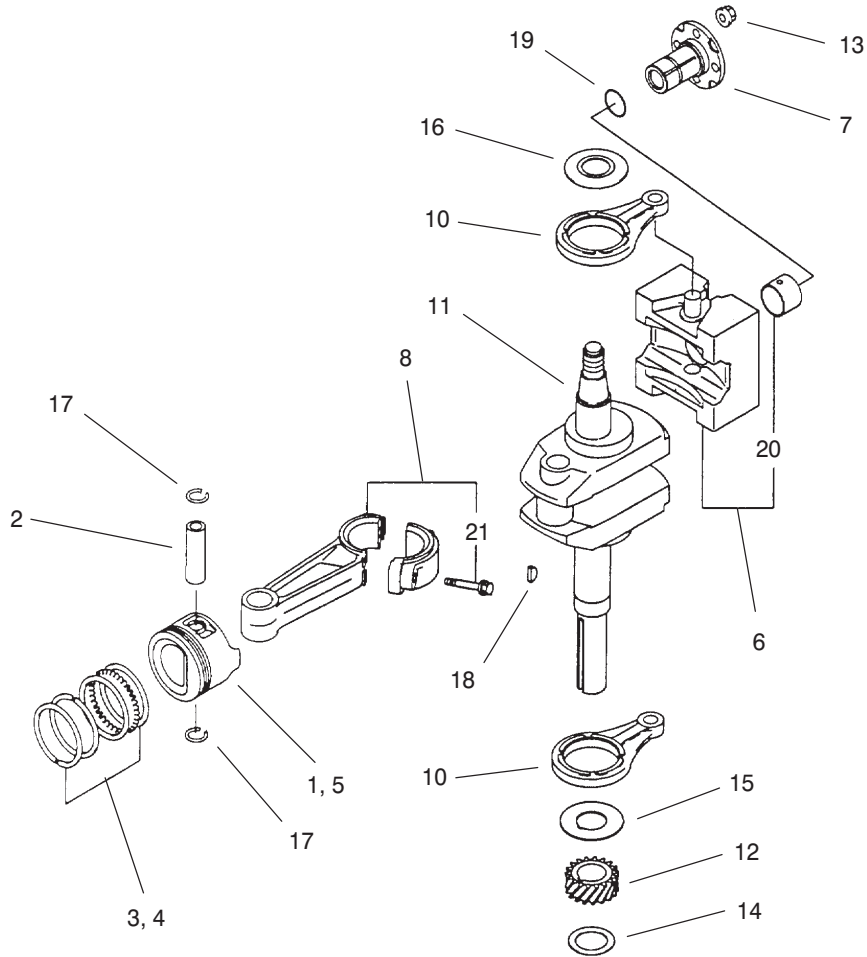
Ref. No.	Part No.	Qty.	Description

Ref. No.	Part No.	Qty.	Description



Cylinder/Crankcase

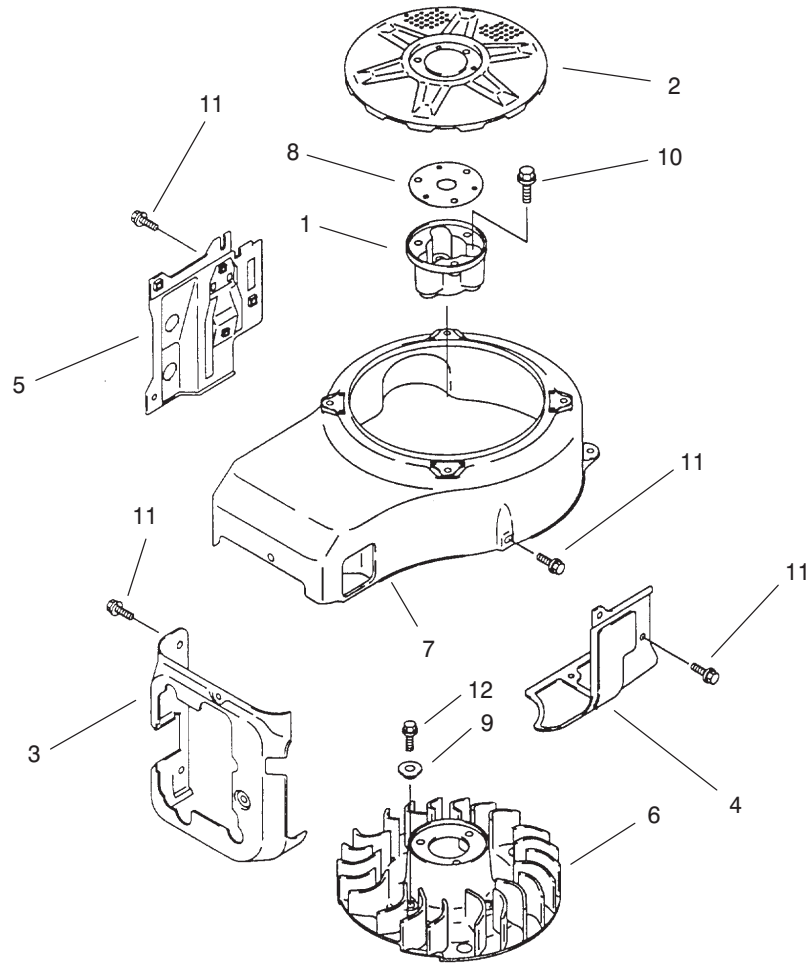
Ref. No.	Part No.	Qty.	Description	Ref. No.	Part No.	Qty.	Description
1	11004-2096	1	Gasket-Head	25	171G0820	2	Bolt-Stud
2	11008-6026	1	Head Comp-Cylinder	26	601A6307	1	Bearing-Ball
3	11009-2433	1	Gasket-Rocker Case				
4	11009-2947	1	Gasket-Crankcase Cover				
5	11022-2070	1	Case-Rocker				
6	13183-2264	1	Plate				
7	13270-2055	1	Plate				
8	16126-2113	1	Valve				
9	49002-2107	2	Guide-Valve				
10	49015-6174	1	Cover-Crankcase				
11	49120-2269	1	Crankcase-Comp				
12	92002-2273	3	Bolt				
13	92002-2310	2	Bolt				
14	92004-2083	4	Stud				
15	92009-2308	1	Screw				
16	92043-1263	2	Pin				
17	92043-1266	2	Pin				
18	92049-2096	1	Seal-Oil				
19	92049-2097	1	Seal-Oil				
20	92049-2227	1	Seal-Oil				
21	130B0614	4	Bolt-Flanged				
22	130B0830	1	Bolt-Flanged				
23	130B0835	1	Bolt-Flanged				
24	130T0845	9	Bolt-Flanged				



Piston/Crankshaft

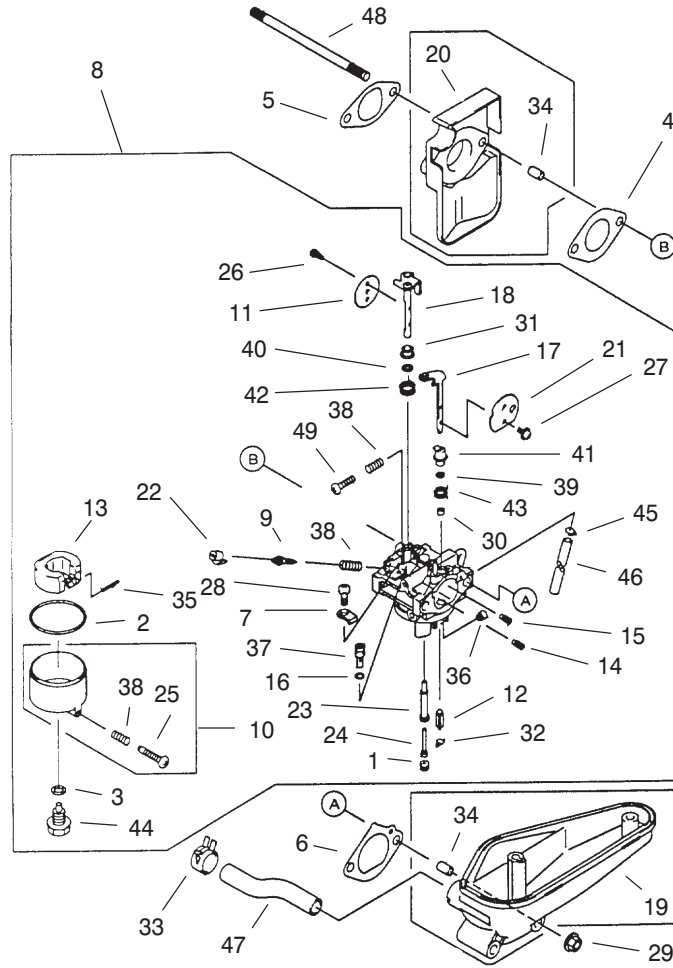
Ref. No.	Part No.	Qty.	Description
1	13001-2130	1	Piston-Engine
2	13002-2078	1	Pin-Piston
3	13008-6053	1	Ring Set-Piston
4	13025-6020	A/R	Ring Set-Piston L,0.50
5	13029-2106	A/R	Piston-Engine L,0.50
6	13042-6010	1	Weight
7	13107-2088	1	Shaft
8	13251-6039	1	Rod Assy-Connecting
8	13251-6041	A/R	Rod Assy-Connecting
10	46102-2077	2	Rod
11	49119-2176	1	Crankshaft Assy
12	59056-2101	1	Gear-Helical
13	92015-1193	4	Nut
14	92025-2210	A/R	Shim, T-1.18
14	92025-2211	A/R	Shim, T-1.215
14	92025-2212	A/R	Shim, T-1.25
14	92025-2213	A/R	Shim, T-1.285
14	92025-2214	A/R	Shim, T-1.32
14	92025-2215	A/R	Shim, T-1.355
14	92025-2216	A/R	Shim, T-1.39
14	92025-2217	A/R	Shim, T-1.425
14	92025-2218	A/R	Shim, T-1.46
14	92025-2219	A/R	Shim, T-1.495
14	92025-2220	A/R	Shim, T-1.53
14	92025-2221	A/R	Shim, T-1.565
14	92025-2222	A/R	Shim, T-1.60

Ref. No.	Part No.	Qty.	Description
14	92025-2223	A/R	Shim, T-1.635
14	92025-2224	A/R	Shim, T-1.67
14	92025-2225	A/R	Shim, T-1.705
14	92025-2226	A/R	Shim, T-1.74
14	92025-2227	A/R	Shim, 1.775
14	92025-2228	A/R	Shim, 1.81
15	92026-2156	1	Spacer
16	92026-2160	1	Spacer
17	92036-008	1	Ring-Snap
18	92038-2094	1	Key
19	92055-2072	1	Ring-O
20	92141-2112	1	Bearing-Plane
21	92150-2193	2	Bolt



Cooling Equipment

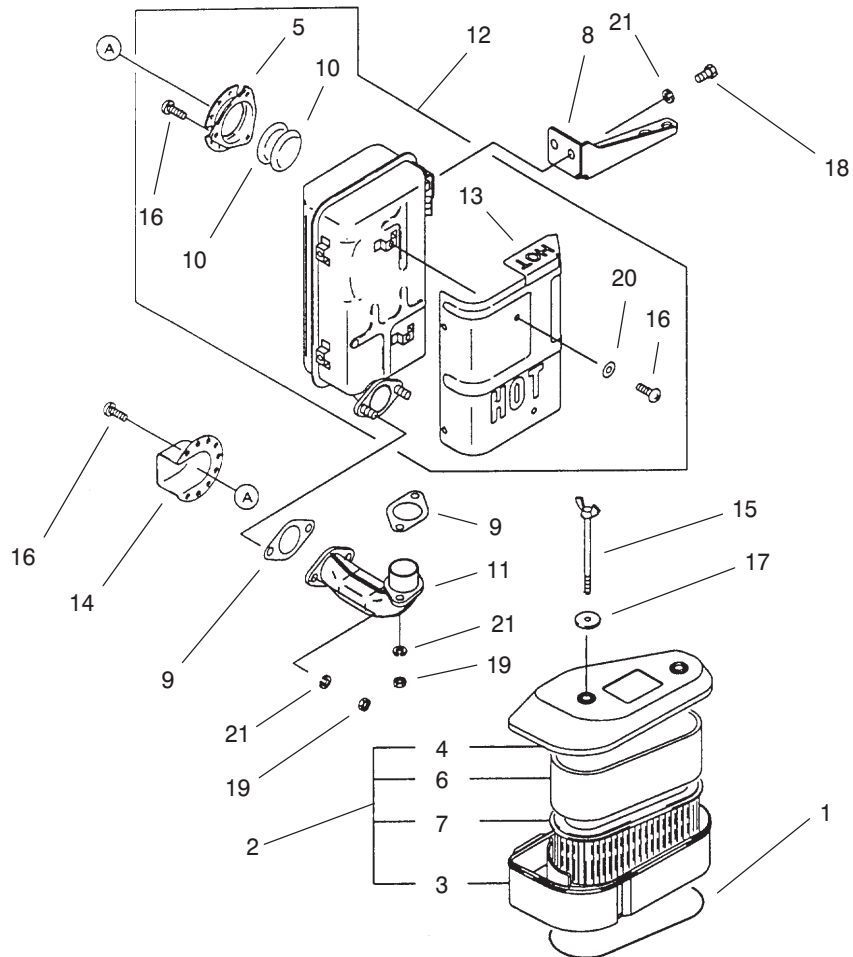
Ref. No.	Part No.	Qty.	Description	Ref. No.	Part No.	Qty.	Description
1	11044-2084	1	Bracket				
2	14037-2104-9H	1	Screen				
3	49089-2231-9H	1	Shroud-Engine				
4	49089-2232-9H	1	Shroud-Engine				
5	49089-2233-9H	1	Shroud-Engine				
6	59041-2081	1	Fan				
7	59066-2432-9H	1	Housing-Fan				
8	92025-2003	A/R	Shim, T-1.20				
9	92143-2179	4	Collar				
10	130B0820	3	Bolt-Flanged				
11	130G0612	12	Bolt-Flanged				
12	130G0614	4	Bolt-Flanged				



Carburetor

Ref. No.	Part No.	Qty.	Description
1	11003-2101	1	Seat-Valve
2	11009-2024	1	Gasket
3	11009-2025	1	Gasket
4	11060-2339	1	Gasket-Carburetor
5	11060-2340	1	Gasket-Insulator
6	11060-2341	1	Gasket-Intake Pipe
7	13183-2252	1	Plate
8	15003-2349	1	Carburetor Assy
9	16014-2075	1	Screw-Pilot Air
10	16020-2109	1	Chamber-Float
11	16025-2137	1	Valve-Throttle, #90
12	16030-2073	1	Valve-Float
13	16031-2066	1	Float
14	16035-2056	1	Jet-Air, #1.8
15	16035-2058	1	Jet-Air, #1.1
16	16038-024	1	Gasket
17	16041-2163	1	Shaft-Carburetor Choke
18	16041-2215	1	Shaft-Carburetor Throttle
19	16060-2130	1	Pipe-Intake
20	16073-2108	1	Insulator
21	16126-2170	1	Valve-Choke
22	39076-2053	1	Limiter
23	49121-2188	1	Nozzle-Main, 89A
24	49123-2075	1	Holder-Main Jet

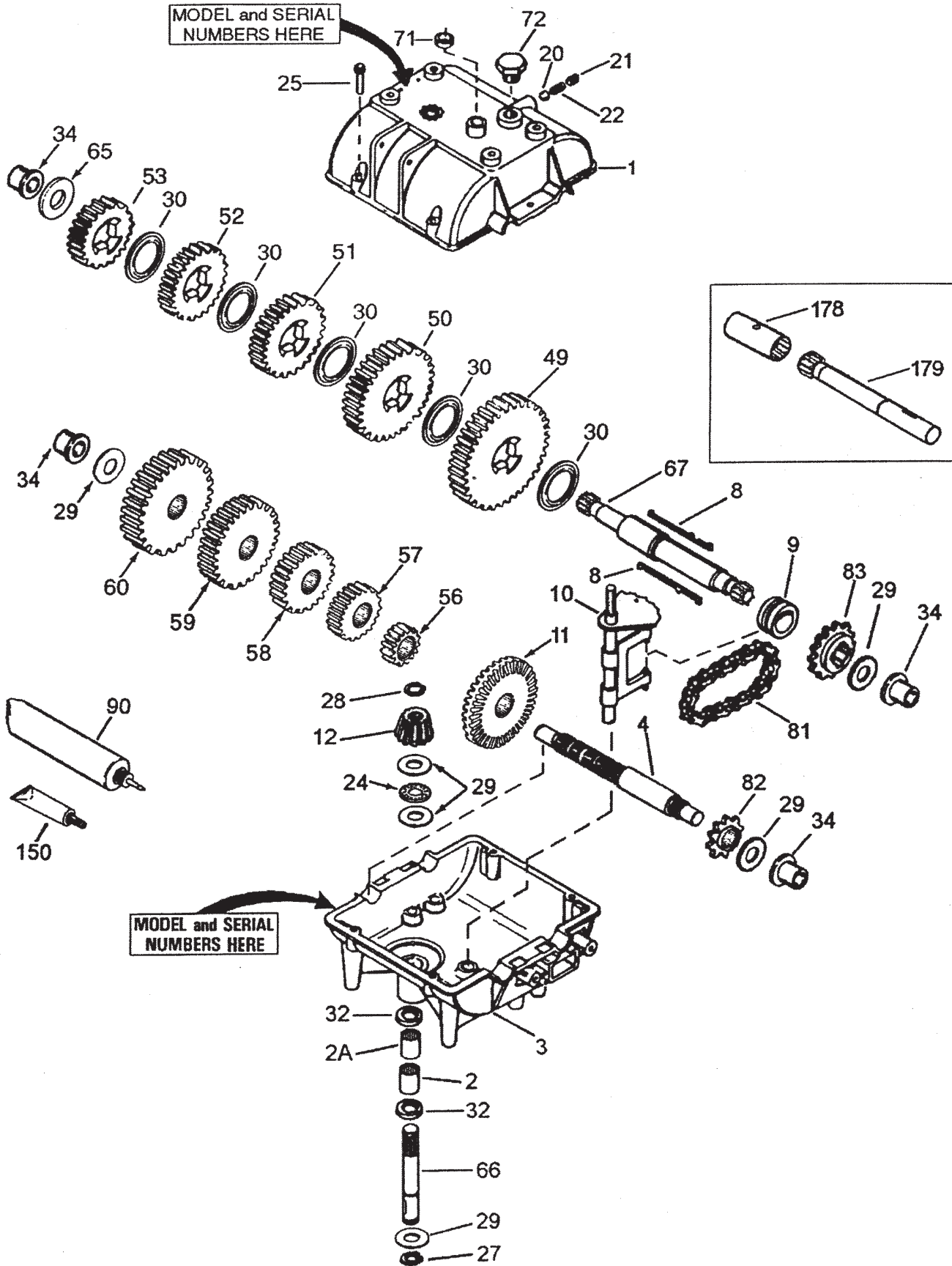
Ref. No.	Part No.	Qty.	Description
25	92009-2015	1	Screw
26	92009-2080	2	Screw
27	92009-2081	2	Screw
28	92009-2244	1	Screw
29	92015-1193	2	Nut
30	92027-2003	1	Collar
31	92027-2025	1	Collar
32	92033-2067	1	Ring-Snap
33	92037-2012	1	Clamp
34	92043-1263	4	Pin
35	92043-2006	1	Pin
36	92063-2257	1	Jet-Main, #100
37	92064-2101	1	Jet-Main, #60
38	92081-2009	3	Spring
39	92093-2069	1	Seal
40	92093-2082	1	Seal
41	92143-2142	1	Collar
42	92144-2037	1	Spring
43	92144-2160	1	Spring
44	92150-2301	1	Bolt
45	92170-2023	1	Clamp
46	92190-2011	1	Tube
47	92190-2066	1	Tube
48	172G06115	2	Bolt-Stud
49	214B0414	1	Screw-Pan



Air Filter/Muffler

Ref. No.	Part No.	Qty.	Description	Ref. No.	Part No.	Qty.	Description
1	11009-2505	1	Gasket-Air Filter				
2	11010-2421	1	Filter Assy-Air				
3	11011-2227	1	Case-Air Filter				
4	11012-2223	1	Cap-Air Filter				
5	11012-2383-9Y	1	Cap				
6	11013-2109	1	Element-Air Filter				
7	11013-2141	1	Element-Air Filter				
8	11046-2160-9Y	1	Bracket				
9	11060-2382	2	Gasket-Muffler				
10	18077-2052	2	Arrester-Spark				
11	49062-2057-9Y	1	Pipe-Comp Exhaust				
12	49069-2228-9Y	1	Muffler Assy				
13	49106-2471-9Y	1	Cover-Muffler				
14	49107-2119-9Y	1	Cover-Exhaust Pipe				
15	92002-2274	2	Bolt				
16	92009-2166	12	Screw				
17	92022-2220	2	Washer				
18	115G816	2	Bolt-Small Upset				
19	317R0800	4	Nut-Hex Small				
20	411B0500	6	Washer-Plain				
21	461F0800	6	Washer-Spring				

PEERLESS TRANSMISSION MODEL 700-070A



PEERLESS TRANSMISSION MODEL 700-070A

Ref. No.	Part No.	Description	No. Used	Ref. No.	Part No.	Description	No. Used
1	772083A	Transmission Cover	1	52	778124A	Spur Gear (30 Teeth)	1
2	780086A	Needle Bearing	1	53	778123A	Spur Gear (25 Teeth)	1
2A	780142	Needle Bearing	1	56	778145	Spur Gear (12 Teeth-Steel)	1
3	770061A	Transmission Case	1	57	778151	Spur Gear (15 Teeth)	1
4	776134	Countershaft	1	58	778240	Spur Gear (18 Teeth-Steel)	1
8	792089A	Shift Key	4	59	778126A	Spur Gear (20 Teeth)	1
9	784266	Shift Collar	1	60	778127A	Spur Gear (25 Teeth)	1
10	784376	Shift Rod & Fork	1	65	780139	Washer	1
11	778154	Bevel Gear (42 Teeth)	1	66	776135	Input Shaft (3-11/16" long)	1
12	778176	Bevel Pinion (14 Teeth- Steel)	1	67	776402	Shifter & Brake Shaft	1
20	792077A	Ball 5/16" Dia.	1	71	788069	Square Cut Ring	1
21	792078	Set Screw	1	72	792074	Threaded Plug	1
22	792079	Spring	1	81	786081	Roller Chain (No. 41 Chain, 24 Links)	1
24	780071	Thrust Bearing	1	82	786082	Sprocket (9 Teeth)	1
25	792073A	Screw	6	83	786083	Sprocket (18 Teeth)	1
27	792035	Retaining Ring	1	90	788067B	Grease (32 oz. Bottle Bentonite Grease)	1
28	788040	Retaining Ring	1	150	510334	Gasket Eliminator (Loctite #515)	1
29	780072	Washer	6	178	786176	Coupling (Optional)	1
30	780108	Washer	5	179	776401	Connector Shaft (Optional)	1
32	792001	O-Ring	2				
34	780105A	Flanged Bushing	4				
49	778146A	Spur Gear (37 Teeth)	1				
50	778125	Spur Gear (35 Teeth)	1				
51	778239A	Spur Gear (32 Teeth-Steel)	1				

