



Count on it.

Parts Catalog

Blower and Drive Kit

**60in E-Z Vac™ Bagger for Z500 Series Z
Master® Mowers**

Model No. 78538—Serial No. 40000000 and Up



Ordering Replacement Parts

To order replacement parts, please supply the part number, the quantity, and the description of each part desired.

Understanding Reference Numbers

Each identified part in an illustration has a reference number. The reference number for a part also appears in the parts list, along with other information about the part.

This catalog uses two special reference number formats, one to indicate parts in a service assembly and another to indicate the quantity of a given part in an illustration.

Service Assembly Reference Numbers

Parts in service assemblies have reference numbers in the form a:b. The a represents the reference number of the entire service assembly and the b represents a sequential number unique to each part within the service assembly.

For example, a wheel assembly might be identified by reference number 6, the tire by 6:1, the valve by 6:2, and the wheel by 6:3. When you order the assembly identified by reference number 6, you receive all parts identified by reference numbers 6:1, 6:2, and 6:3. However, you may also order any part individually. Reference numbers of this type appear in illustration and in parts lists.

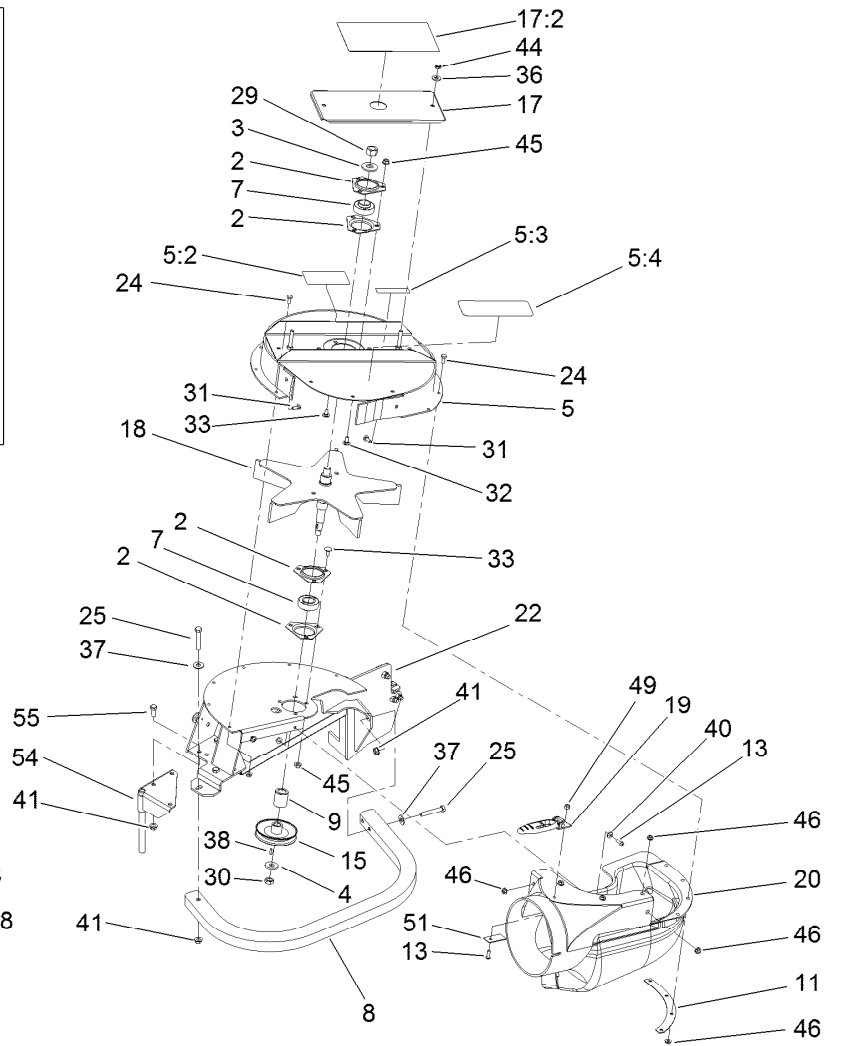
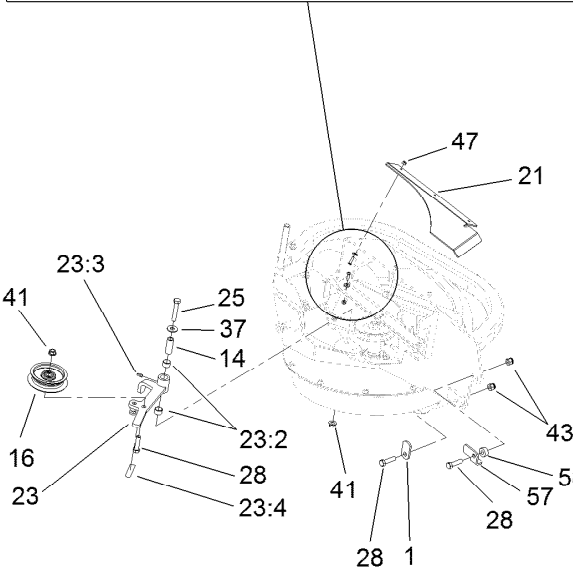
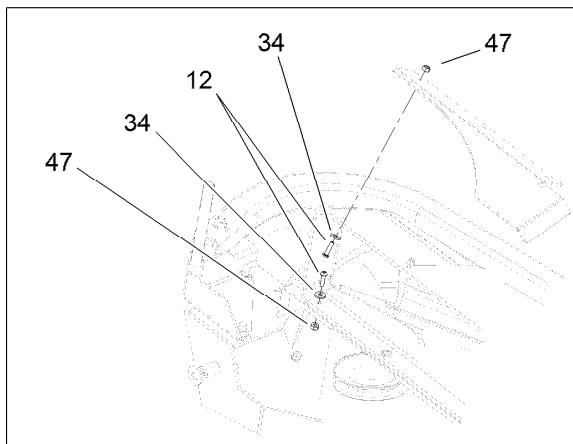
Reference Numbers Indicating Quantity

In an illustration, if a reference number indicates more than one part, the reference number has the form nX y. The n represents the quantity of the part, the X is the multiplication symbol, and the y represents the reference number.

For example, in an illustration, the reference number 2X 37 means that two of the parts identified by reference number 37 are indicated.

Contents

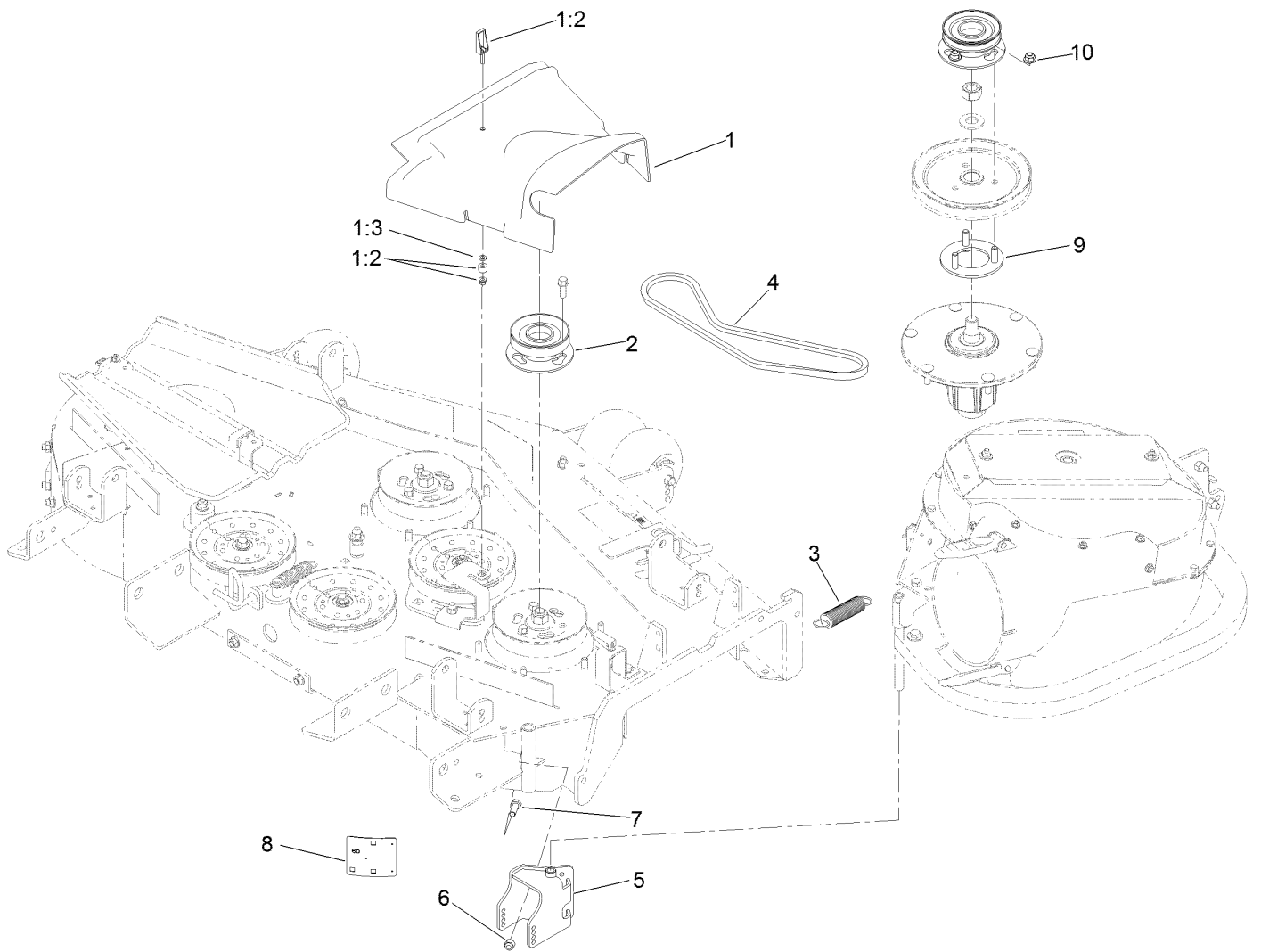
Blower Drive Assembly 4
Belt, Pulley and Cover Assembly..... 6



Blower Drive Assembly

Ref.	Part Number	Qty.	Description
1	1-353054	1	Latch-Catcher, Grass
2	1-513013	4	Housing-Flange
3	1-513208	1	Washer-Spring
4	3256-26	1	Washer-Flat
5	112-1773	1	Upper Housing ASM
5:2	106-3339	1	Decal-Warning
5:3	98-5954	1	Decal-Cover, Missing
5:4	112-1770	1	Decal
7	1-653346	2	Bearing
8	103-0458-01	1	Bumper
9	103-0460	1	Spacer
11	103-0461-03	1	Plate-Backing, Blower
12	3274-39	6	Screw-HSBH
13	3274-69	4	Screw-HSBH
14	1-603044	1	Bushing
15	103-0456	1	Sheave
16	103-1103	1	Idler-Flat
17	112-1774	1	Cover-Bearing
17:2	109-5890	1	Decal, Warning
18	103-0455	1	Impeller
19	103-2898	2	Latch-Rubber

Ref.	Part Number	Qty.	Description
20	109-1134	1	Chute-Blower
21	110-0328-03	1	Plate-Bottom
22	110-0329-03	1	Mount-Blower
23	110-0339	1	Idler Arm ASM
23:2	1-653600	2	Bushing
23:3	302-19	1	Fitting-Grease
23:4	1-653558	1	Decal-Warning
24	321-3	10	Screw-HH
25	323-11	4	Screw-HH
28	323-8	3	Screw-HH
29	3219-6	1	Nut-Hex
30	3296-28	1	Nut-Lock, NI
31	3229-1	2	Bolt-CARR
32	3229-11	3	Screw-CARR
33	3230-18	6	Screw-CARR
34	3256-16	6	Washer-Flat
36	3256-3	2	Washer-Flat
37	3256-4	4	Washer-Flat
38	3257-32	1	Key-Woodruff
40	3256-22	2	Washer-Flat
41	3290-357	8	Nut-HHF, Whiz



Belt, Pulley and Cover Assembly

Ref.	Part Number	Qty.	Description
1	112-1755	1	Belt Cover ASM
1:2	74-5950	1	Latch-Swell
1:3	99-3058	1	Washer
2	112-8670-03	1	Pulley
3	1-603693	1	Spring-Extension
4	112-2344	1	Belt-V
5	110-3877-01	1	Hinge-Blower
6	3296-39	3	Nut-Lock, NI
7	323-6	3	Screw-HH
8	112-2303	1	Template
9	140-4906	1	Pulley Mount ASM
10	104-8301	3	Nut-HF, NI

Notes:



Count on it.