



**Proline 37”
Recycler[®] Cutting Unit
Model No. 30137-20000001 and Up**

Parts Catalog

Ordering Replacement Parts

To order replacement parts, please supply: the part number, the quantity, and the description of each part desired.

Understanding Reference Numbers

Each identified part in an illustration has a reference number. The reference number for a part also appears in the parts list, along with other information about the part.

This catalog uses two special reference number formats, one to indicate parts in a service assembly and another to indicate the quantity of a given part in an illustration.

Service Assembly Reference Numbers

Parts in service assemblies have reference numbers in the form **a:b**. The **a** represents the reference number of the entire service assembly and the **b** represents a sequential number unique to each part within the service assembly.

For example, a wheel assembly might be identified by reference number **6**, the tire by **6:1**, the valve by **6:2**, and the wheel by **6:3**. When you order the assembly identified by reference number **6**, you receive all parts identified by reference numbers **6:1**, **6:2**, and **6:3**. However, you may also order any part individually.

Reference numbers of this type appear in illustrations and in part lists.

Reference Numbers Indicating Quantity

In an illustration, if a reference number indicates more than one part, the reference number has the form **nX y**. The **n** represents the quantity of the part, the **X** is the multiplication symbol, and the **y** represents the reference number.

For example, in an illustration, the reference number **2X 37** means that two of the parts identified by reference number **37** are indicated.

Contents

| Description | Page | Description | Page |
|----------------------------------|------|------------------------------------|------|
| Deck Assembly | 3 | 37" Outside Spindle Assembly | 6 |
| Spindle Assembly | 4 | Carrier Frame Assembly | 7 |
| 37" Drive Spindle Assembly | 5 | Decal Assembly | 8 |

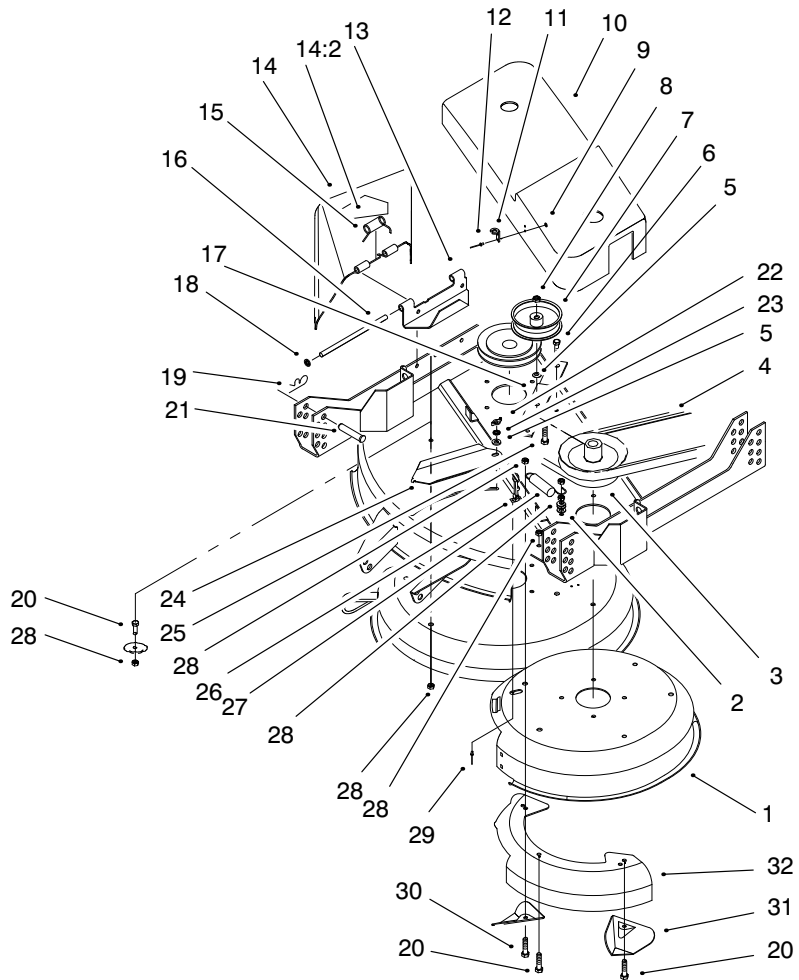
Accessories

| Description | Model / Part No. | Description | Model / Part No. |
|-------------|------------------|-------------|------------------|
|-------------|------------------|-------------|------------------|

Part Description Abbreviations

Part descriptions in this catalog may include the following abbreviations.

| Abbreviation | Meaning | Abbreviation | Meaning |
|--------------|-----------------------------------|--------------|-------------------------|
| AR | as required | INC | incorporated |
| ASM | assembly | LH | left hand |
| CARR | carriage | NI | nylon insert |
| DEG | degrees | PPH | Phillips pan head |
| FH | flat head | PTH | Phillips truss head |
| GA | gauge | PTO | power take off |
| HF | hex flange | RH | right hand |
| HH | hex head | SFH | slotted fillister head |
| HHF | hex head flange | SHH | slotted hex head |
| HLH | hex lag head | SQH | square head |
| HJ | hex jam | SHWH | slotted hex washer head |
| HOC | height-of-cut | SPH | slotted pan head |
| HS | hex socket | SRH | slotted round head |
| HSBH | hex socket button head | STD | standard |
| HSFH | hex socket flat head | TAP | self tapping |
| HSH | hex socket head | TTH | Torx truss head |
| HWH | hex washer head | WH | wing head |
| HWHTF | hex washer head thread forming | | |

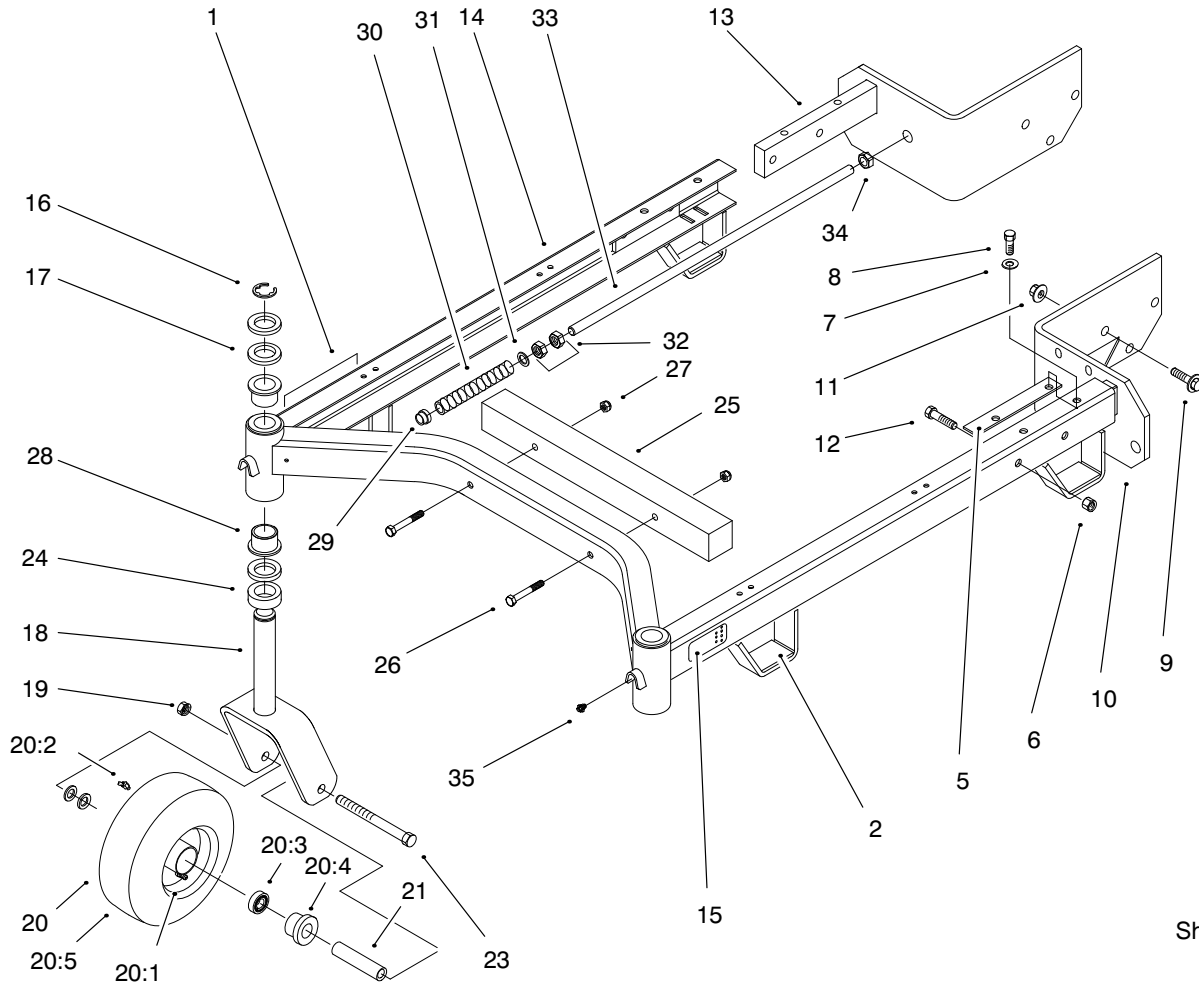


Sheet No.:2

Deck Assembly

| Ref. No. | Part No. | Qty. | Description |
|----------|------------|------|---------------------------|
| 1 | 99-8510 | 1 | Deck Support w/ Decals |
| 2 | 3256-23 | 3 | Washer-Flat |
| 3 | 84-4410 | 1 | V-Belt - Deck |
| 4 | 84-4390 | 1 | V-Belt - Deck Drive |
| 5 | 3256-24 | 2 | Washer-Flat |
| 6 | 19-1471 | 1 | Screw-Shoulder |
| 7 | 36-3220 | 1 | Pulley-Idler |
| 8 | 3296-39 | 1 | Nut-Lock, NI |
| 9 | 3269-10 | 4 | Back Washer |
| 10 | 84-4350 | 1 | Pulley Cover |
| 11 | 117343 | 2 | Keeper-Latch |
| 12 | 3290-415 | 4 | Rivet |
| 13 | 82-7530-01 | 1 | Deflector Hinge |
| 14 | 99-8511 | 1 | Deflector w/ Decals |
| 14:2 | 54-9220 | 1 | Decal-Danger |
| 15 | 40-6230 | 1 | Spring |
| 16 | 82-7540 | 1 | Hinge Pin |
| 17 | 84-4330-03 | 1 | Idler Lever |
| 18 | 32151-56 | 2 | Ring-Retaining Ext |
| 19 | 3290-355 | 4 | Hairpin |
| 20 | 322-5 | 10 | Screw-HH |
| 21 | 283-55 | 4 | Pin-Clevis |
| 22 | 32103-27 | 1 | Nut-Wing |
| 23 | 3255-8 | 1 | Washer-Lock/Ext |
| 24 | 84-4420-01 | 1 | Slot Cover |

| Ref. No. | Part No. | Qty. | Description |
|----------|------------|------|-----------------|
| 25 | 323-9 | 1 | Screw-HH |
| 26 | 117344 | 2 | Handle-Ass'y |
| 27 | 54-1160 | 1 | Deck Ext Spring |
| 28 | 3296-29 | 13 | Nut-Lock |
| 29 | 3269-13 | 4 | Rivet-Pop |
| 30 | 322-7 | 1 | Screw-HH |
| 31 | 84-5761-03 | 7 | Kicker Plt B |
| 32 | 92-2937-01 | 1 | Insert - Deck |

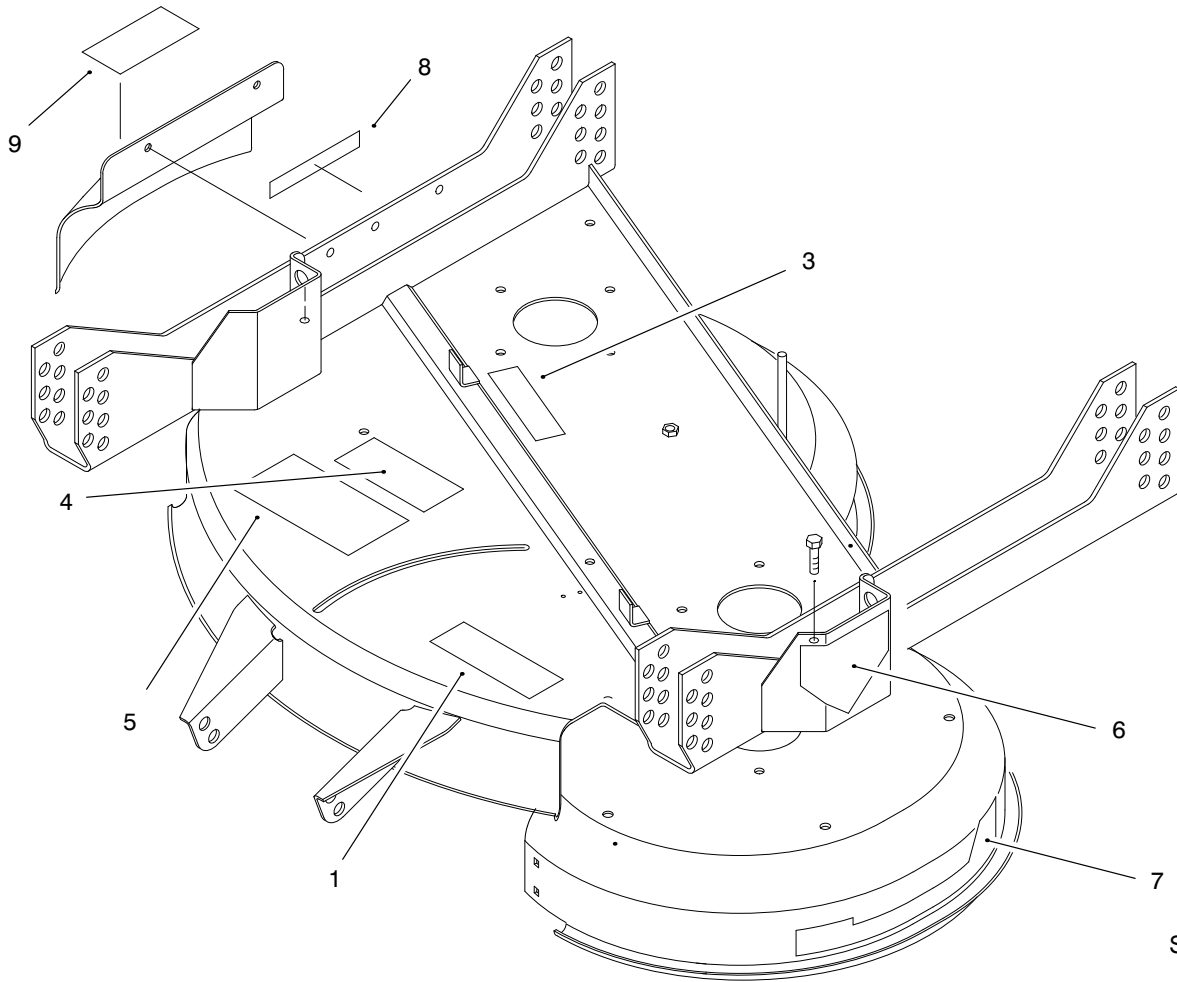


Sheet No.:4

Carrier Frame Assembly

| Ref. No. | Part No. | Qty. | Description |
|----------|-------------|------|-----------------------------|
| 1 | 85-7460 | 1 | Decal – Right HOC |
| 2 | 74-0340 | 4 | Cushion–Rubber |
| 5 | 62-6980 | 2 | Carrier Shim |
| 6 | 32152-2 | 4 | Nut–Conelock |
| 7 | 3256-24 | 5 | Washer–Flat |
| 8 | 3235-21 | 4 | Screw w/Patch |
| 9 | 3234-6 | 6 | Capscrew–HH |
| 10 | 86-7100-01 | 1 | L/H Angle Brkt Wa |
| 11 | 32128-23 | 6 | Nut–Hex Flange |
| 12 | 323-9 | 4 | Screw–HH |
| 13 | 86-7110-01 | 1 | R/H Angle Brkt Wa |
| 14 | 17-0549-01 | 1 | 37" CARR. Frame Wa. |
| 15 | 85-7450 | 1 | Decal – Left HOC |
| 16 | E809020 | 2 | Pin–Qck |
| 17 | 3-6781 | 8 | Washer–Thrust |
| 18 | 100-6455-01 | 2 | Castor Fork Assy–Painted |
| 19 | 32153-5 | 2 | Nut–Lock |
| 20 | 100-6451 | 2 | Castor Wheel Assembly |
| 20:1 | 232-27 | 1 | Stem–Valve |
| 20:2 | 302-11 | 1 | Fitting–45° Lube |
| 20:3 | 83-4740 | 1 | Bearing |
| 20:4 | 62-5580 | 2 | Bearing–Outside |
| 20:5 | 100-6452 | 1 | Tire–Tubless |
| 21 | 100-6453 | 2 | Bushing–Spanner |

| Ref. No. | Part No. | Qty. | Description |
|----------|------------|------|-----------------|
| 23 | 325-19 | 2 | Screw–HH |
| 24 | 93-1166 | 2 | Spacer – Castor |
| 25 | 80-3340-01 | 1 | Front Weight |
| 26 | 322-12 | 2 | Screw–HH |
| 27 | 3296-29 | 2 | Nut–Lock |
| 28 | 94-1291 | 4 | Bushing–Special |
| 29 | 256-156 | 2 | Bushing–Flange |
| 30 | 74-0290 | 2 | Spring |
| 31 | 41-8440 | 2 | Washer |
| 32 | 3218-5 | 4 | Nut–Jam |
| 33 | 74-0310 | 2 | Adjusting Shaft |
| 34 | 3296-45 | 2 | Nut–Lock NI |
| 35 | 302-5 | 2 | Fitting–Lube |



Sheet No.:5

Decal Assembly

| Ref. No. | Part No. | Qty. | Description |
|----------|----------|------|--------------------------|
| 1 | 85-7080 | 1 | Decal – Discharge Door |
| 3 | 67-5360 | 1 | Decal–Danger |
| 4 | 68-8340 | 1 | Decal–Torque, Blade Bolt |
| 5 | 66-1340 | 1 | Decal–Danger |
| 6 | 43-8480 | 1 | Decal–Danger |
| 7 | 84-4340 | 1 | Decal – 37" |
| 8 | 68-3650 | 1 | Decal–Deflector Danger |
| 9 | 82-7490 | 1 | Decal – Danger |

| Ref. No. | Part No. | Qty. | Description |
|----------|----------|------|-------------|
| | | | |
| | | | |
| | | | |
| | | | |
| | | | |
| | | | |
| | | | |
| | | | |
| | | | |
| | | | |

