



**Proline 17HP**  
**Mid Size Traction Unit**  
Model No. 30169-20000001 and Up

## Parts Catalog

### Ordering Replacement Parts

To order replacement parts, please supply: the part number, the quantity, and the description of each part desired.

### Understanding Reference Numbers

Each identified part in an illustration has a reference number. The reference number for a part also appears in the parts list, along with other information about the part.

This catalog uses two special reference number formats, one to indicate parts in a service assembly and another to indicate the quantity of a given part in an illustration.

### Service Assembly Reference Numbers

Parts in service assemblies have reference numbers in the form **a:b**. The **a** represents the reference number of the entire service assembly and the **b** represents a sequential number unique to each part within the service assembly.

For example, a wheel assembly might be identified by reference number **6**, the tire by **6:1**, the valve by **6:2**, and the wheel by **6:3**. When you order the assembly identified by reference number **6**, you receive all parts identified by reference numbers **6:1**, **6:2**, and **6:3**. However, you may also order any part individually.

Reference numbers of this type appear in illustrations and in part lists.

### Reference Numbers Indicating Quantity

In an illustration, if a reference number indicates more than one part, the reference number has the form **nX y**. The **n** represents the quantity of the part, the **X** is the multiplication symbol, and the **y** represents the reference number.

For example, in an illustration, the reference number **2X 37** means that two of the parts identified by reference number **37** are indicated.

## Contents

Description	Page	Description	Page
Fuel Tank & Idler Pulley Assembly .....	3	Clutch Assembly .....	9
Transmission & Drive Pulley Assembly .....	4	Engine Assembly .....	10-27
Wheel & Brake Assembly .....	5	Peerless Transmission Model 700-082 .....	28
Wheel Assembly .....	6	Schematic .....	29
Handle & Controls Assembly .....	7	Maintenance .....	30-31
Engine & Muffler Assembly .....	8		

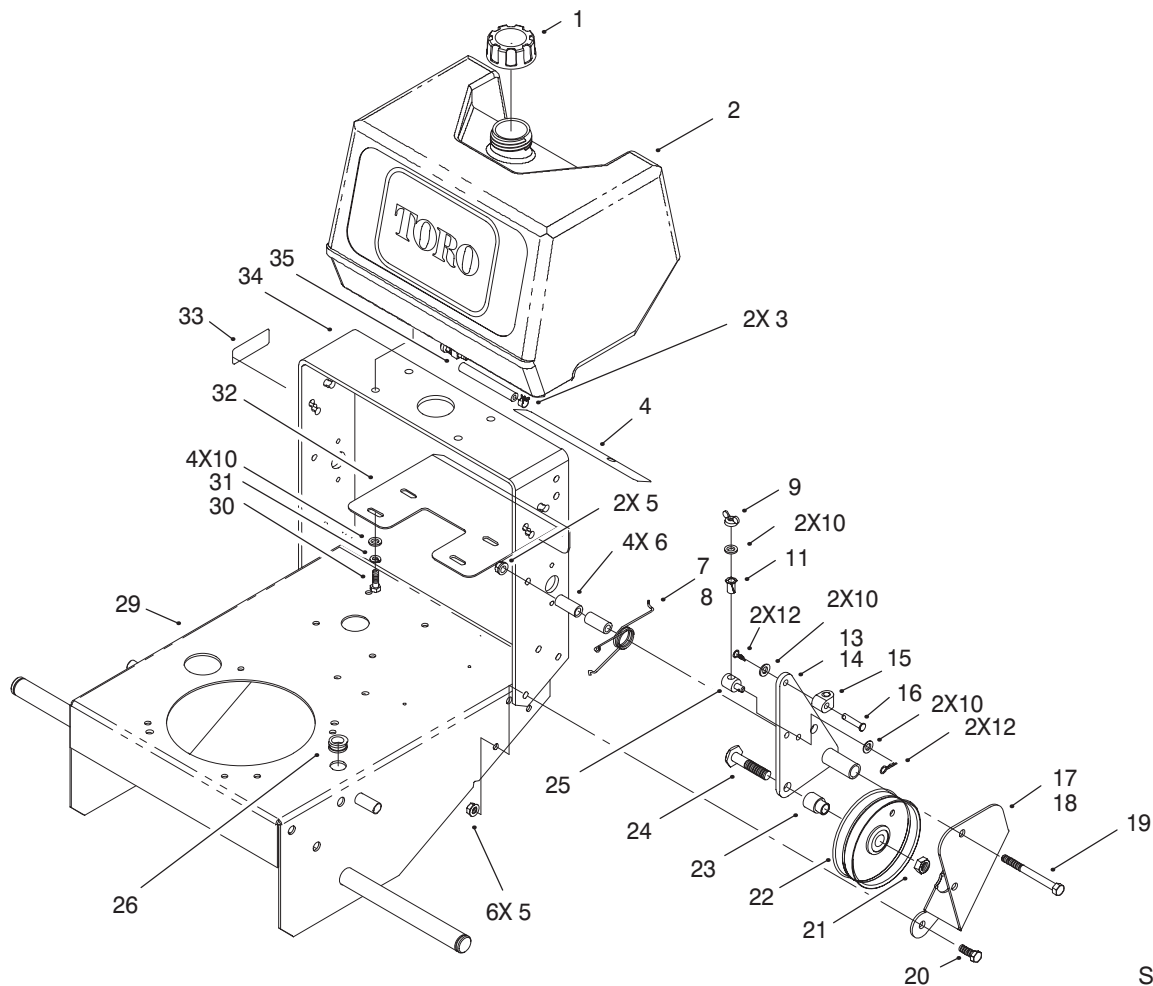
## Accessories

Description	Model / Part No.	Description	Model / Part No.
36" Cutting Unit .....	Model No. 30135	Steerable Sulky .....	Model No. 30123
37" Recycler Deck .....	Model No. 30137	44" Recycler Kit .....	Model No. 59220
44" Cutting Unit .....	Model No. 30149	52" Recycler Kit .....	Model No. 59225
52" Cutting Unit .....	Model No. 30151	44/52" Striping Kit .....	Model No. 30121
Front Weight Kit (37" Decks) ...	Part No. 80-3350		

## Part Description Abbreviations

Part descriptions in this catalog may include the following abbreviations.

Abbreviation	Meaning	Abbreviation	Meaning
AR .....	as required	INC .....	incorporated
ASM .....	assembly	LH .....	left hand
CARR .....	carriage	NI .....	nylon insert
DEG .....	degrees	PPH .....	Phillips pan head
FH .....	flat head	PTH .....	Phillips truss head
GA .....	gauge	PTO .....	power take off
HF .....	hex flange	RH .....	right hand
HH .....	hex head	SFH .....	slotted fillister head
HHF .....	hex head flange	SHH .....	slotted hex head
HLH .....	hex lag head	SQH .....	square head
HJ .....	hex jam	SHWH .....	slotted hex washer head
HOC .....	height-of-cut	SPH .....	slotted pan head
HS .....	hex socket	SRH .....	slotted round head
HSBH .....	hex socket button head	STD .....	standard
HSFH .....	hex socket flat head	TAP .....	self tapping
HSH .....	hex socket head	TTH .....	Torx truss head
HWH .....	hex washer head	WH .....	wing head
HWHTF .....	hex washer head thread forming		

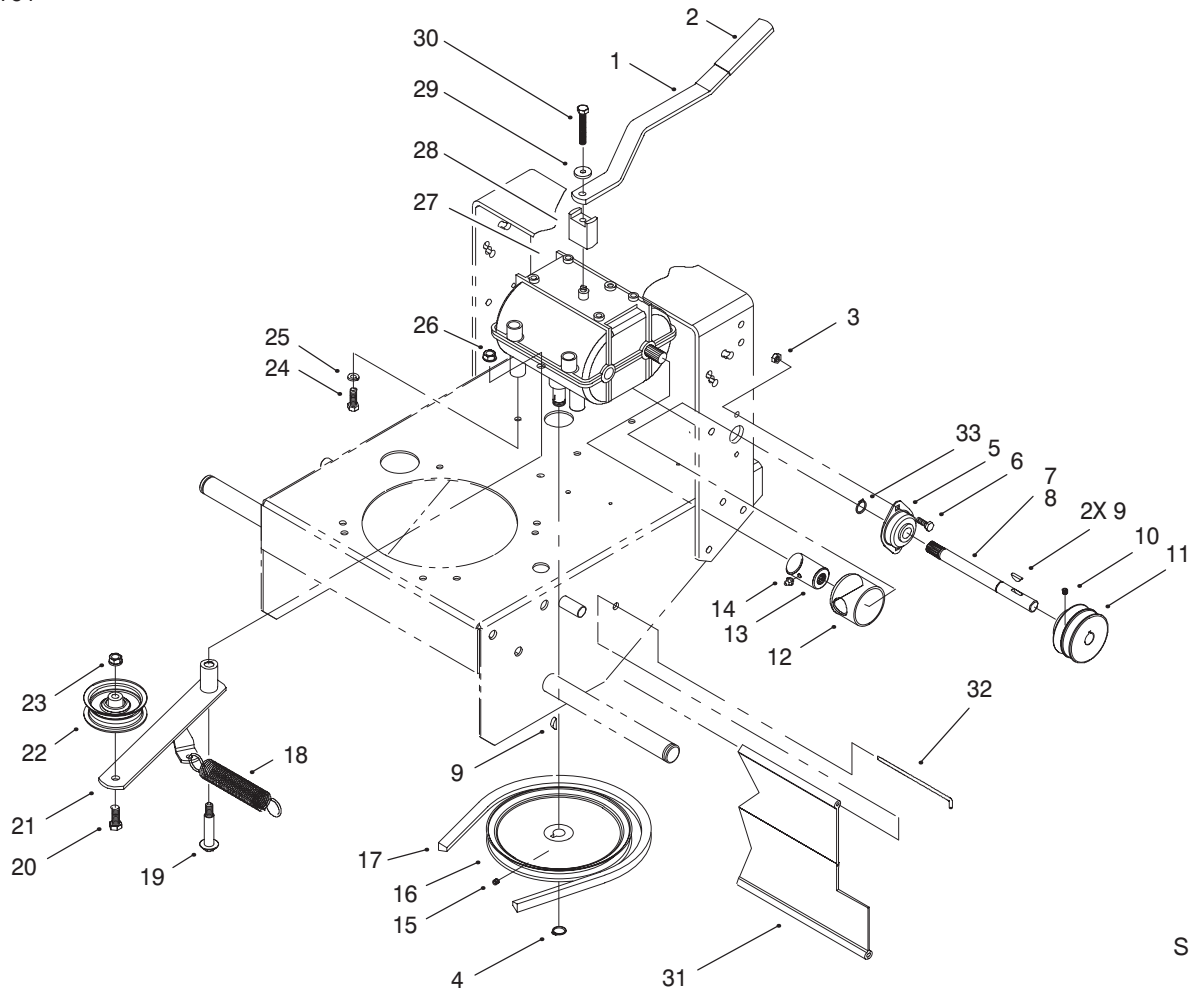


Sheet No.:2

## Fuel Tank & Idler Pulley Assembly

Ref. No.	Part No.	Qty.	Description
1	55-3570	1	Gas Cap Assembly
2	95-2802	1	Tank - Fuel
3	2412-98	2	Clamp
4	82-7750	1	Decal-Ground Speed
5	3296-39	8	Nut-Lock, NI
6	74-0040	4	Spacer-Idler Pivot
7	51-4370	1	Spring-RH Torsion
8	51-4380	1	Spring-LH Torsion
9	32103-25	2	Nut-Wing
10	3256-23	10	Washer-Flat
11	52-2890	2	Bushing-Nylon
12	3290-307	4	Hairpin
13	74-0230-01	1	Bracket-RH Idler
14	74-0220-01	1	Bracket-LH Idler
15	74-0521	2	Fitting-Rod
16	283-6	2	Pin-Clevis
17	67-6370-01	1	Bracket-RH Support
18	67-6380-01	1	Bracket-LH Support
19	323-16	2	Screw-HH
20	323-6	6	Screw-HH
21	3296-23	2	Nut-Lock, NI
22	95-2800	2	Pulley - Idler
23	95-2801	2	Spacer - Pulley
24	51-4450	2	Screw-Leveler
25	68-9690	2	Fitting-Rod
26	237-124	1	Grommet

Ref. No.	Part No.	Qty.	Description
29	93-1156-01	1	Frame Wa
30	322-4	4	Screw-HH
31	3253-4	4	Washer-Lock/Sp
32	66-7400-01	1	Plate-Control
33	95-2814	1	Decal - Fuel Shut Off
34	74-0360-01	1	Frame-Rear
35	47-2962	1	Hose - Fuel



Sheet No.:3

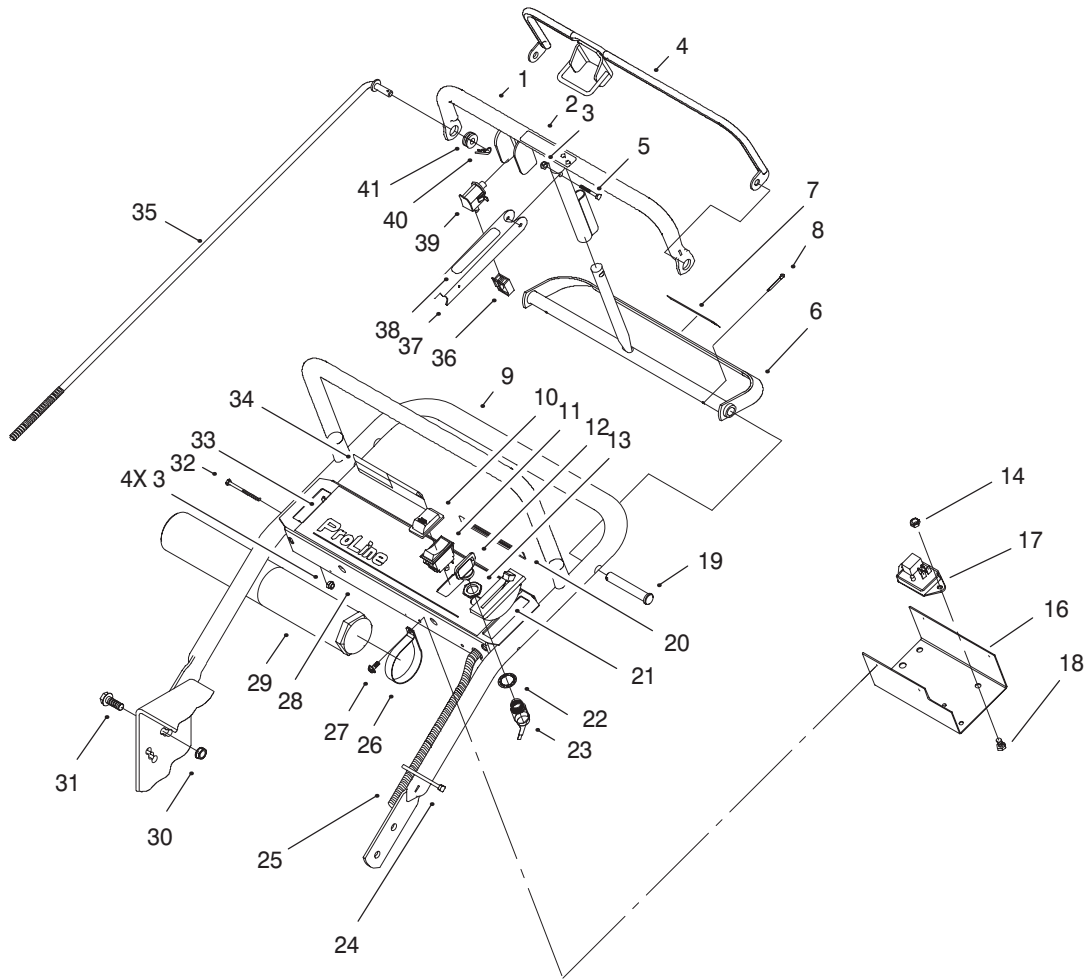
## Transmission & Drive Pulley Assembly

Ref. No.	Part No.	Qty.	Description
1	74-0320-01	1	Lever-Shift
2	47-1970	1	Grip-Engagement
3	3296-42	4	Nut-Lock
4	32120-64	1	Ring-External Snap
5	51-4270	2	Bearing-External
6	321-4	4	Screw-HH
7	98-0788	1	Shaft - Extension, RH
8	98-0787	1	Shaft - Extension, LH
9	3257-5	3	Key-Woodruff
10	3245-3	2	Screw-Hex Socket Set
11	74-0480	2	Drive Pulley Assembly
12	51-4220	2	Guard-Coupler
13	98-0789	2	Coupler
14	302-5	2	Fitting-Lube
15	3245-1	1	Screw-Set, HSH
16	51-4190	1	Pulley-Driven
17	26-9671	1	V-Belt
18	68-2190	1	Spring-Extension
19	27-6230	1	Bolt-Wheel
20	323-8	1	Screw-HH
21	16-7509	1	Lever-Idler w/Bushings
22	62-4540	1	Pulley
23	3296-39	1	Nut-Lock, NI

Ref. No.	Part No.	Qty.	Description
24	322-2	4	Screw-HH
25	3253-4	4	Washer-Lock/Sp
26	3296-6	1	Nut-Lock, NI
27	98-0791	1	Transmission
28	72-2190	1	Mount-Shift Lever
29	7-5461	1	Spacer
30	329-10	1	Screw-HH
31	95-1526	1	Shield - Trailing
32	95-1529	1	Rod - Shield
33	32151-62	2	Ring-Retaining







Sheet No.:5

## Handle & Controls Assembly

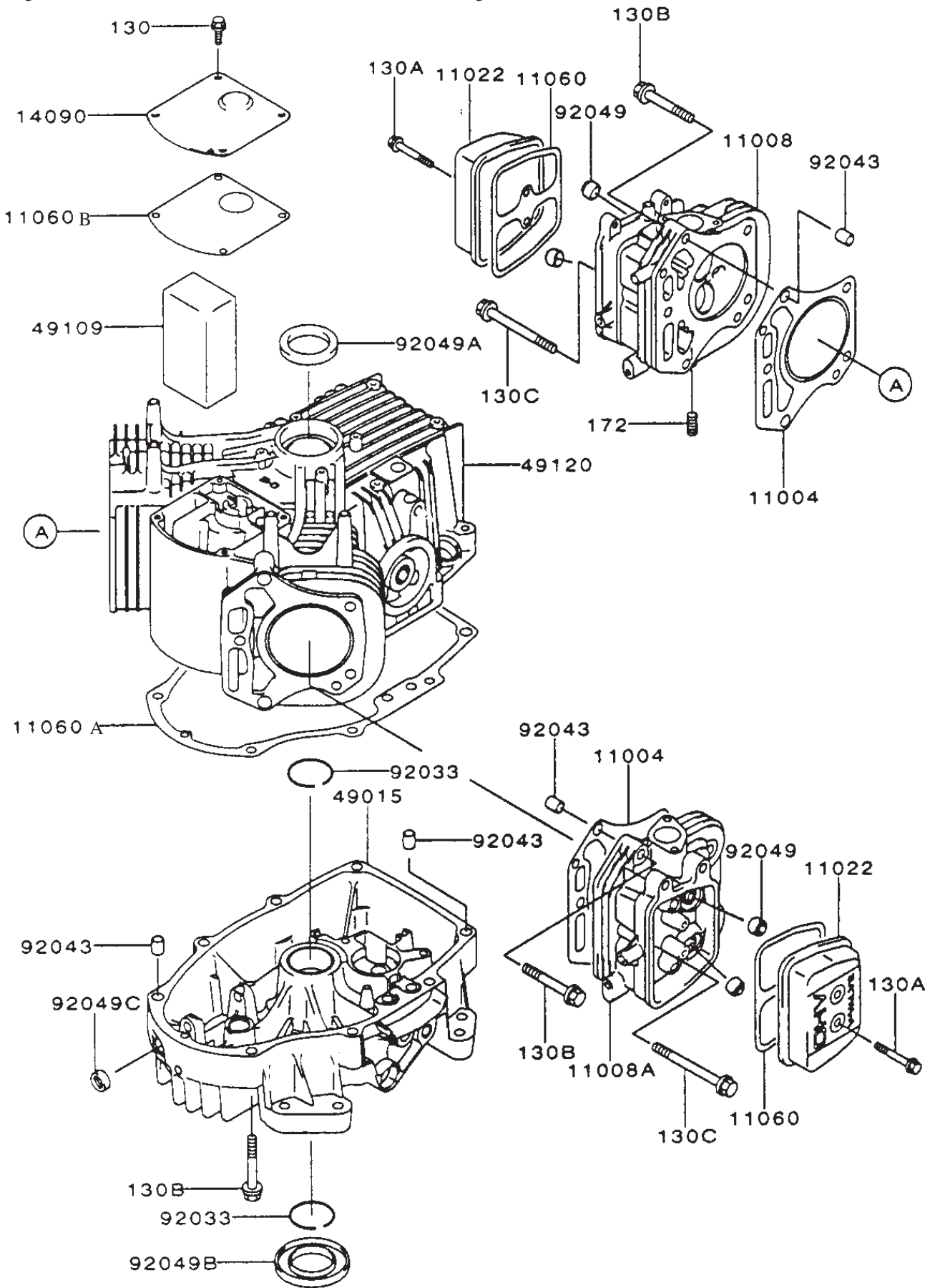
Ref. No.	Part No.	Qty.	Description
1	82-7690-03	1	Bar-Control
2	82-2290	1	Decal - Control Bar
3	3296-2	5	Nut-Lock
4	82-7680-03	1	Bail Wa
5	32105-1	1	Screw-Srh
6	99-8501-03	1	Control-Pivot
7	82-2280	1	Decal-Reverse Handle
8	3272-11	2	Pin-Cotter
9	67-6440-01	1	Handle-Upper
10	82-3820	1	Boot-Switch
11	82-2300	1	Switch
12	63-8360	2	Key-Ignition
13	218-461	1	Nut-HH
14	3296-42	1	Nut-Lock
16	93-1187-03	1	Panel - Bottom
17	100-6170	1	Module- Delay
18	321-2	1	Screw-HH
19	283-55	2	Pin-Clevis
20	65-3090	1	Decal - Instruction
21	100-6450	1	Control- Throttle
22	3254-5	1	Washer-Lock/Int
23	29-5560	1	Switch-On Off
24	3290-378	2	Tie-Cable
25	100-3294	1	Harness- Wire
26	2412-120	2	R-Clamp

Ref. No.	Part No.	Qty.	Description
27	32104-76	4	Screw-Slot, Acorn
28	82-2180-03	1	Panel-Control
29	74-0720	1	Tube-Manual
30	32128-21	4	Nut-HF
31	3234-11	4	Screw-HHF
32	32105-14	4	Screw-Slotted Hd
33	82-7730	1	Decal - Control Panel
34	71-1280	1	Decal - Safety Instruct
35	82-7631	2	Rod-Control
36	218-595	1	Connector-Body
37	51-4850-03	1	Lever-Parking Brake
38	52-2010	1	Decal-Parking Lever
39	82-2190	1	Switch-Bail
40	3290-307	2	Hairpin
41	237-141	2	Grommet-Rubber





# Cylinder/Crankcase Assembly Kawasaki FH500V-AS25

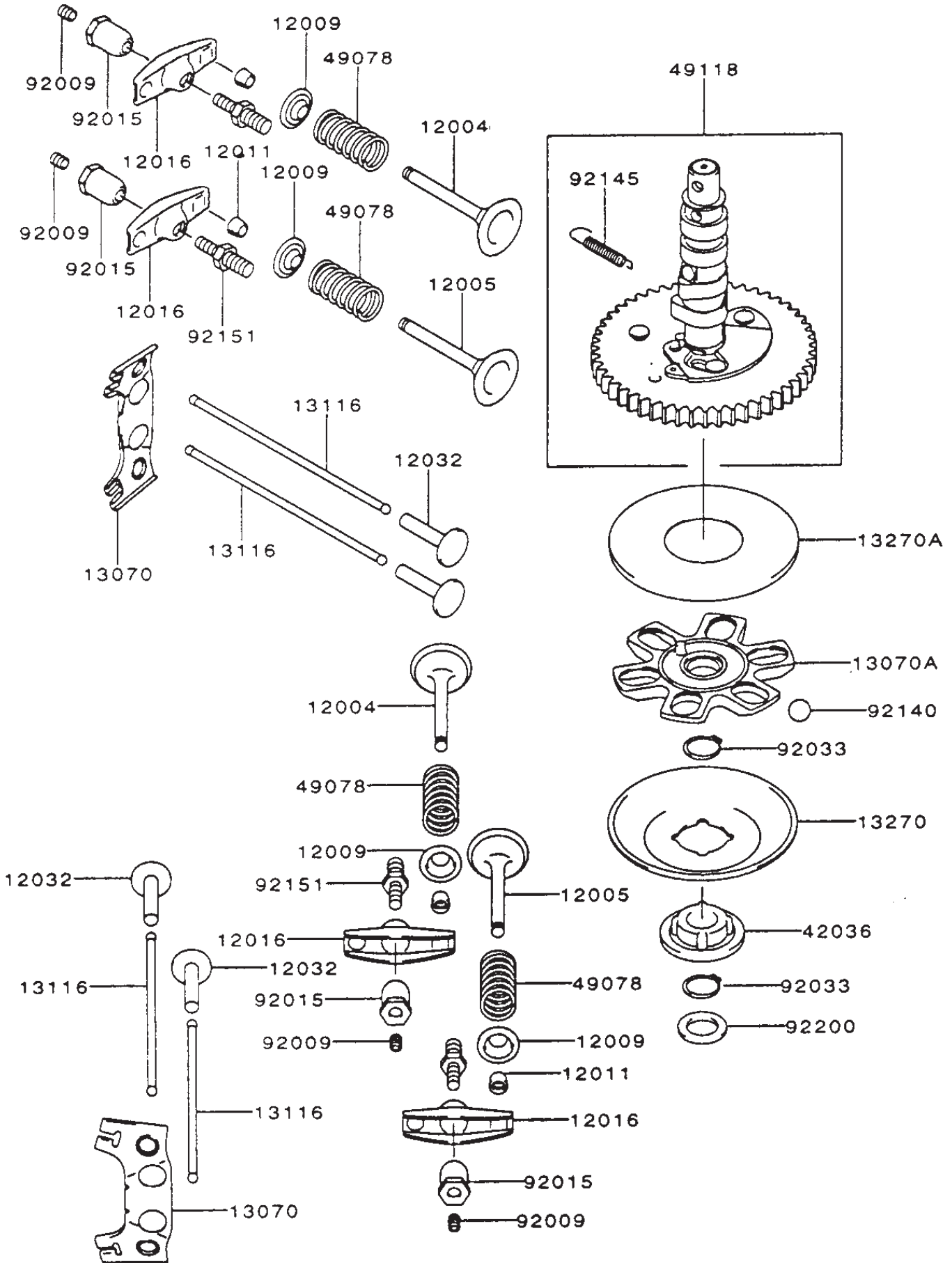


# Cylinder/Crankcase Assembly Kawasaki FH500V-AS25

Ref. No.	Part No.	Qty.	Description
11004	11004-7001	2	Gasket-Head
11008	11008-7001	1	Head-Comp-Cylinder No. 1
11008A	11008-7002	1	Head-Comp-Cylinder No. 2
11022	11022-7001	2	Case-Rocker
11060	11060-7001	2	Gasket, Rocker Case
11060A	11060-7008	1	Gasket, Crankcase Cover
11060B	11060-7015	1	Gasket, Breather
14090	14090-7001	1	Cover, Breather
49015	49015-6215	1	Cover-Crankcase
49109	49109-7002	1	Element-Breather
49120	49120-6119	1	Crankcase-Comp
92033	92033-7003	2	Ring-Snap
92043	92043-7001	6	Pin
92049	92049-7001	4	Seal-Oil
92049A	92049-7002	1	Seal-Oil
92049B	92049-7004	1	Seal-Oil
92049C	92049-7005	1	Seal-Oil
130	130B0612	4	Bolt-Flanged
130A	130B0640	4	Bolt-Flanged
130B	130T0850	17	Bolt-Flanged
130C	130T0875	2	Bolt-Flanged
172	172G0818	4	Bolt-Stud

Ref. No.	Part No.	Qty.	Description

# Valve/Camshaft Assembly Kawasaki FH500V-AS25



# Valve/Camshaft Assembly Kawasaki FH500V-AS25

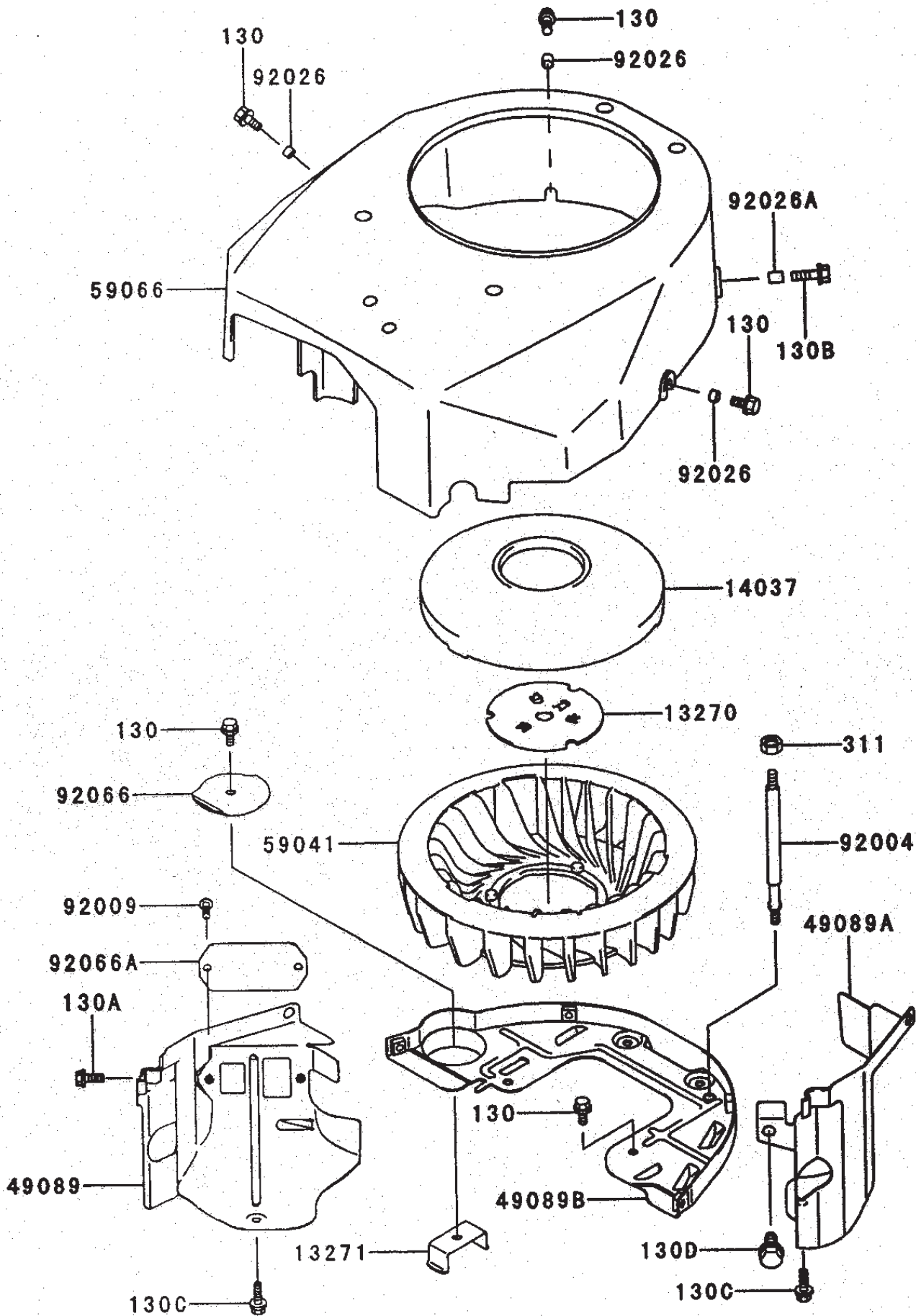
Ref. No.	Part No.	Qty.	Description
12004	12004-7001	2	Valve-Intake
12005	12005-7001	2	Valve-Exhaust
12009	12009-7001	4	Retainer-Valve Spring
12011	12011-2056	8	Collet
12016	12016-7001	4	Arm-Rocker
12032	12032-7001	4	Tappet
13070	13070-7001	2	Guide
13070A	13070-7002	1	Guide
13116	13116-2057	4	Rod-Push
13270	13270-7002	1	Plate
13270A	13270-7003	1	Plate
42036	42036-7001	1	Sleeve
49078	49078-7001	4	Spring-Engine Valve
49118	49118-7002	1	Camshaft-Comp
92009	92009-2341	4	Screw
92015	92015-2253	4	Nut
92033	92033-7001	2	Ring-Snap
92140	92140-7002	6	Ball
92145	92145-7001	1	Spring
92151	92151-7001	4	Bolt
92200	92200-7001	1	Washer

Ref. No.	Part No.	Qty.	Description





# Cooling-Equipment Assembly Kawasaki FH500V-AS25

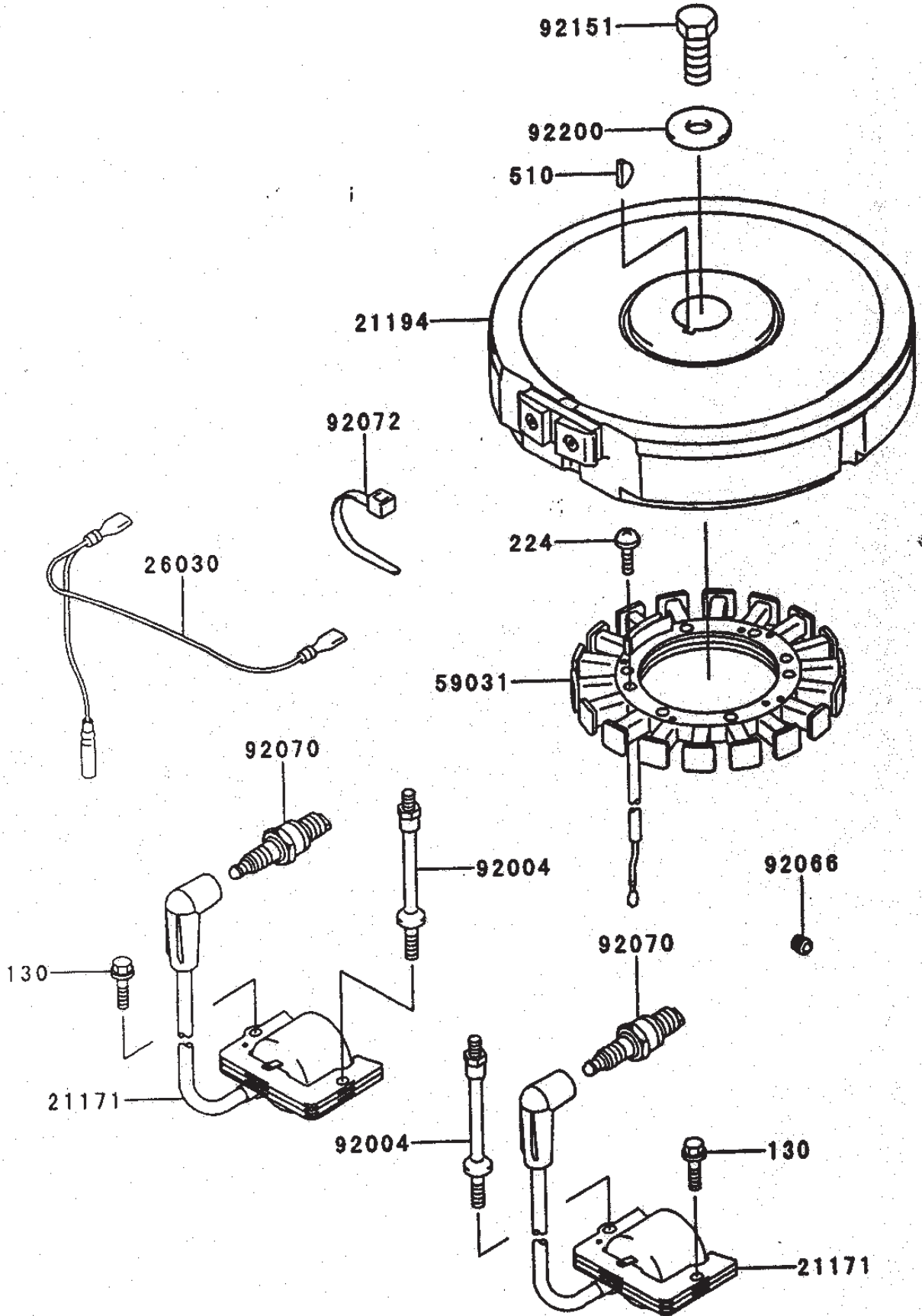


# Cooling-Equipment Assembly Kawasaki FH500V-AS25

Ref. No.	Part No.	Qty.	Description
130	130B0612	6	Bolt-Flanged
130A	130B0616	2	Bolt-Flanged
130B	130B0620	1	Bolt-Flanged
130C	130B0625	2	Bolt-Flanged
130D	130B0816	1	Bolt-Flanged
13270	13270-7007	1	Plate
13271	13271-7002	1	Plate
14037	14037-7002	1	Screen
311	311B0600	2	Nut-Hex
49089	49089-7001	1	Shroud-Engine
49089A	49089-7002	1	Shroud-Engine
49089B	49089-7003	1	Shroud-Engine
59041	59041-7001	1	Fan
59066	59066-7002	1	Housing-Fan
92004	92004-7006	2	Stud
92009	92009-2308	2	Screw
92026	92026-7001	3	Spacer, 6.2x7.9x5
92026A	92026-7003	1	Spacer, 6.5x7.9x10.5
92066	92066-7004	1	Plug
92066A	92066-7004	1	Plug

Ref. No.	Part No.	Qty.	Description

# Electric-Equipment Assembly Kawasaki FH500V-AS25

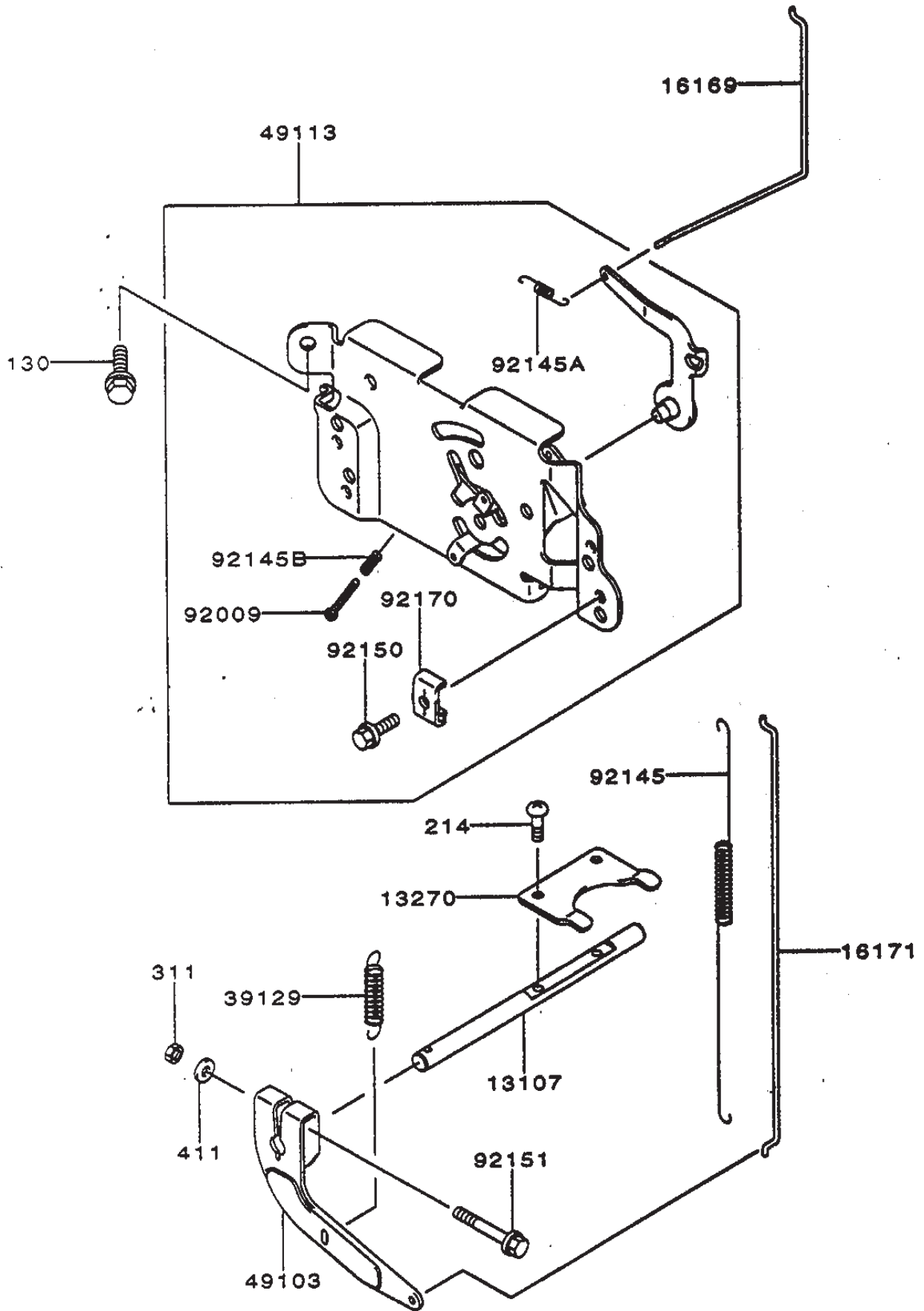


# Electric-Equipment Assembly Kawasaki FH500V-AS25

Ref. No.	Part No.	Qty.	Description
21171	21171-7001	2	Coil-Assy-Ignition
21194	21193-7001	1	Flywheel-Assy
26030	26030-7001	1	Harness
59031	59031-7002	1	Coil-Charging
92004	92004-2147	2	Stud
92066	92066-7002	1	Plug
92070	92070-7001	2	Plug-Spark (RCJ8Y)
92072	92072-7001	2	Band
92151	92151-2097	1	Bolt, 12x30
92220	92220-7002	1	Washer
130	130B0620	2	Bolt-Flanged
224	224B0520	4	Screw-Pan-WP-Cros
510	510A5100	1	Key-Woodruff

Ref. No.	Part No.	Qty.	Description

# Control-Equipment Assembly Kawasaki FH500V-AS25

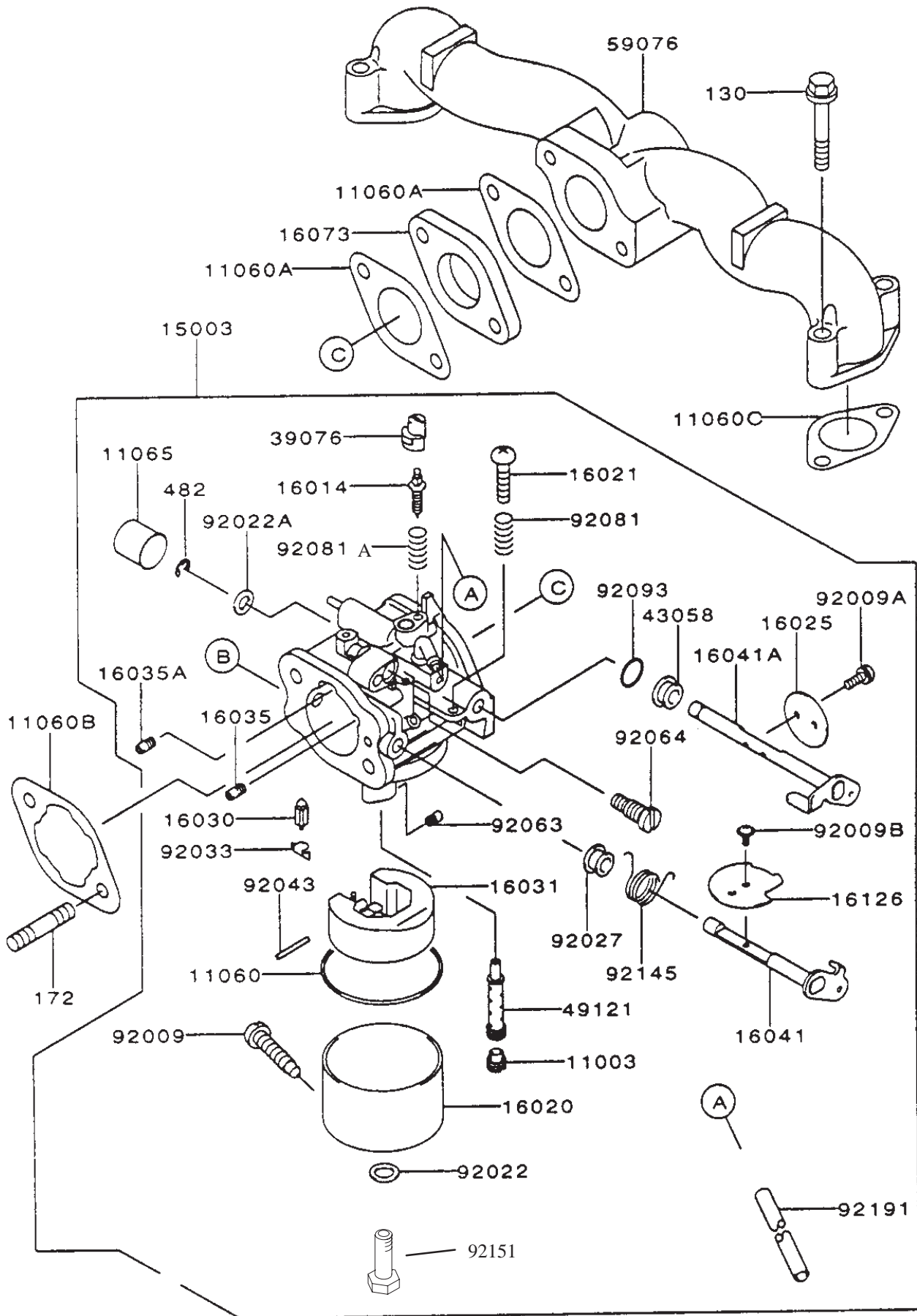


# Control-Equipment Assembly Kawasaki FH500V-AS25

Ref. No.	Part No.	Qty.	Description
13107	13107-7002	1	Shaft
13270	13270-7006	1	Plate
16169	16169-7001	1	Link-Choke
16171	16171-7001	1	Link
39129	39129-7003	1	Spring-Governor
49103	49103-7001	1	Arm-Governor
49113	49113-7001	1	Panel-Comp-Control
92009	92009-7002	1	Screw, 4x30
92145	92145-7003	1	Spring
92145A	92145-7004	1	Spring
92145B	92145-7005	1	Spring
92150	92150-2182	1	Bolt, 5x18
92151	92151-7006	1	Bolt, 6x30
92170	92170-7001	1	Clamp
130	130B0612	2	Bolt-Flanged
214	214B0408	2	Screw-Pan
311	311B0600	1	Nut-Hex
411	411B0600	1	Washer-Plain

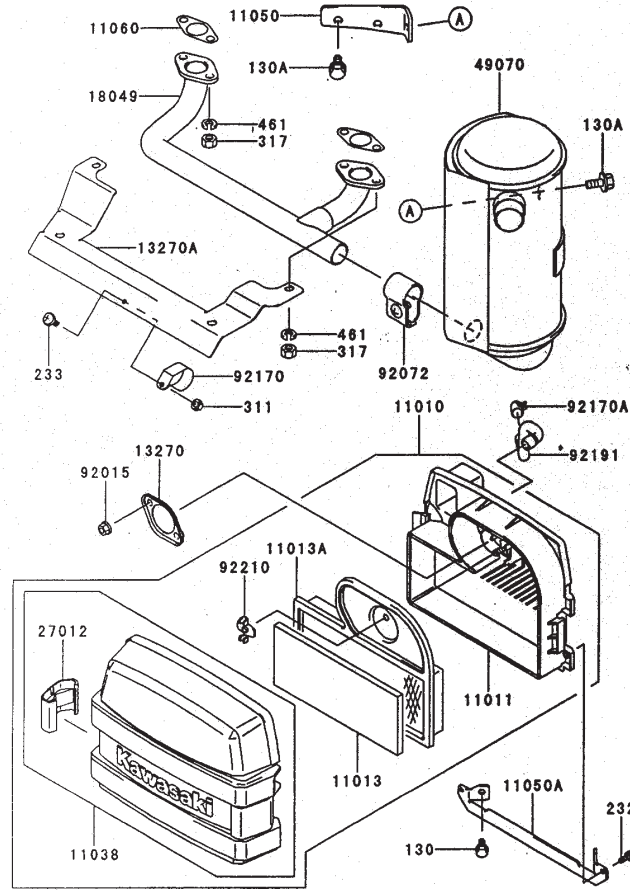
Ref. No.	Part No.	Qty.	Description

# Carburetor Assembly Kawasaki FH500V-AS25



# Carburetor Assembly Kawasaki FH500V-AS25

Ref. No.	Part No.	Qty.	Description	Ref. No.	Part No.	Qty.	Description
11003	11003-2105	1	Seat-Valve				
11060	11060-2406	1	Gasket				
11060A	11060-7003	2	Gasket, Insulator				
11060B	11060-7004	1	Gasket, Air Filter				
11060C	11060-7005	2	Gasket				
11065	11065-2061	1	Cap				
15003	15003-2698	1	Carburetor-Assy				
16014	16014-2080	1	Screw-Pilot Air				
16020	16020-2141	1	Chamber-Float				
16021	16021-2060	1	Screw-Throttlestop				
16025	16025-2193	1	Valve-Throttle, #130				
16030	16030-2067	1	Valve-Float				
16031	16031-2066	1	Float				
16035	16035-2060	1	Jet-Air, #1.7				
16035A	16035-2061	1	Jet-Air, #1.2				
16041	16041-2252	1	Shaft-Carburetor, Choke				
16041A	16041-2253	1	Shaft-Carburetor Throttle				
16073	16073-7001	1	Insulator				
16126	16126-2219	1	Valve				
39076	39076-2053	1	Limiter				
43058	43058-3716	1	Ring				
49121	49121-2222	1	Nozzle-Main				
59076	59076-7001	1	Manifold-Intake				
92009	92009-2015	1	Screw				
92009A	92009-2024	2	Screw				
92009B	92009-2081	1	Screw				
92022	92022-2231	1	Washer				
92022A	92022-2239	1	Washer				
92027	92027-2025	1	Collar				
92033	92033-2067	1	Ring-Snap				
92043	92043-2226	1	Pin				
92063	92063-2358	1	Jet-Main				
92064	92064-2125	1	Jet-Pilot				
92081	92081-2009	2	Spring				
92081A	92081-2256	1	Spring				
92093	92093-2002	1	Seal				
92145	92145-2061	1	Spring				
92151	92151-2092	1	Bolt				
92191	92191-7008	1	Tube				
130	130B0635	4	Bolt-Flanged				
172	172G0685	2	Bolt-Stud				
482	482L4000	1	Circlip-Type-E				



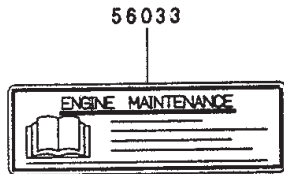
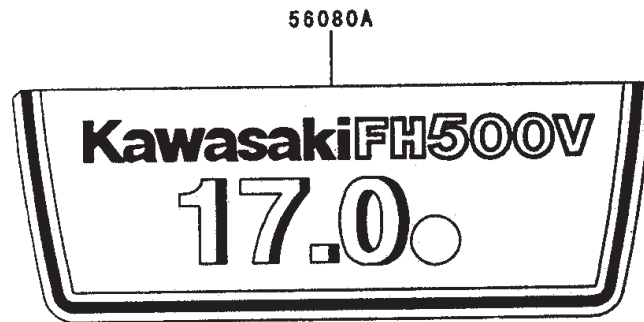
## Air-Filter/Muffler Assembly Kawasaki FH500V-AS25

Ref. No.	Part No.	Qty.	Description
11010	11010-7001	1	Filter-Assy-Air
11011	11011-7001	1	Case-Air Filter
11013	11013-7001	1	Element-Air Filter
11013A	11013-7002	1	Element-Air Filter
11038	11038-7001	1	Case-Assy-Air Filter
11050	11050-7004	1	Bracket
11050A	11050-7006	1	Bracket
11060	11060-7006	2	Gasket, Muffler
13270	13270-7001	1	Plate
13270A	13270-7008	1	Plate
18049	18049-7001	1	Pipe-Exhaust
27012	27012-7001	2	Hook, Air Filter
49070	49070-7002	1	Muffler-Comp
92072	92072-7002	1	Band
92015	92015-1193	2	Nut
92170	92170-7002	1	Clamp
92170A	92170-7003	1	Clamp
92191	92191-7001	1	Tube
92210	92210-7004	1	Nut
130	130B0612	2	Bolt-Flanged
130A	130B0816	2	Bolt-Flanged
232	232B0514	2	Screw-Pan-WS
233	233B0416	1	Screw-Pan WP
311	311B0400	1	Nut-Hex
317	317R0800	4	Nut-Hex-Small

Ref. No.	Part No.	Qty.	Description
461	461F0800	4	Washer-Spring



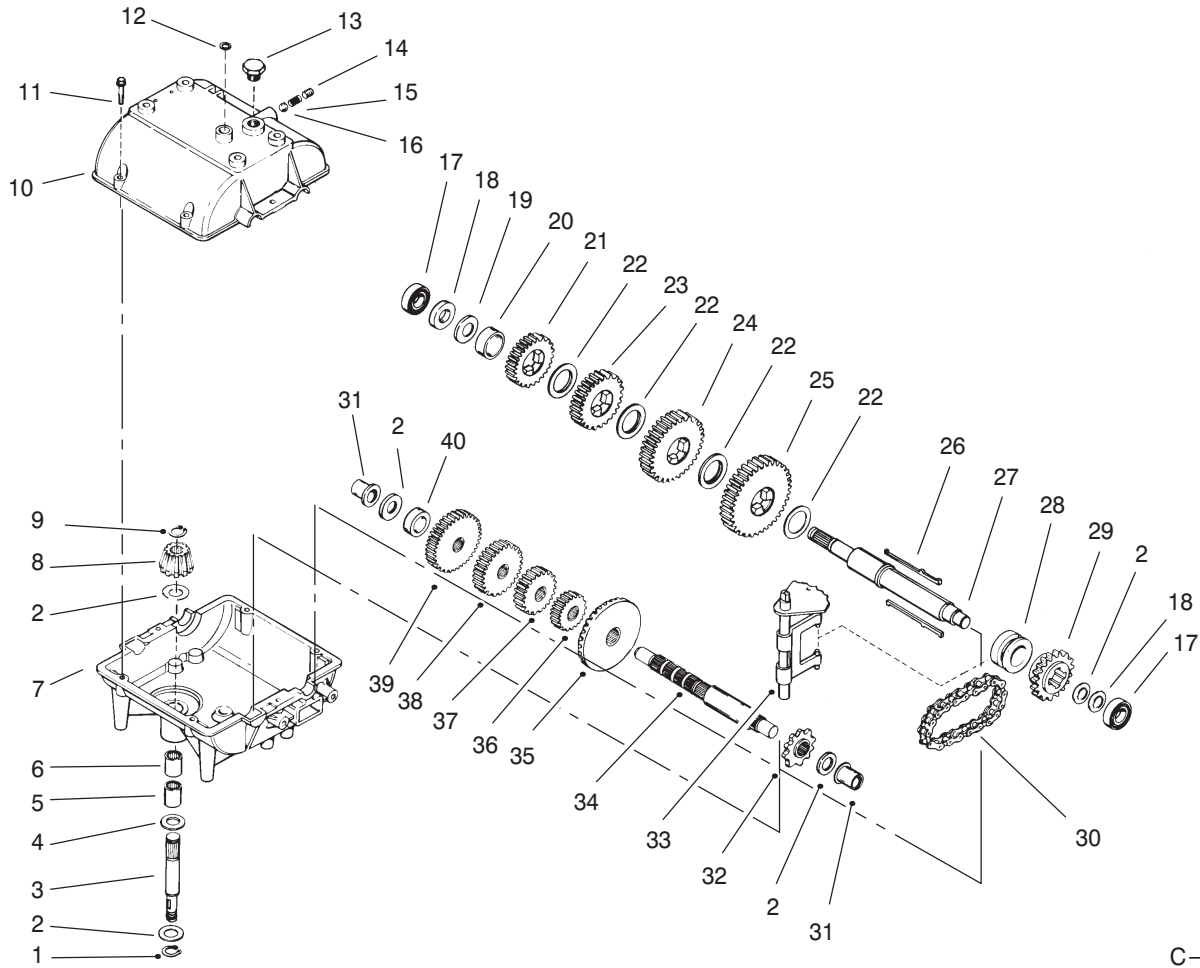




### Starter/Decals – Kawasaki FH500V-AS25

Ref. No.	Part No.	Qty.	Description
56033	56033-7001	1	Label-Manual
56080	56080-2077	1	Label-Brand
56080A	56080-7001	1	Label-Brand

Ref. No.	Part No.	Qty.	Description



C-1776

## PEERLESS TRANSMISSION MODEL 700-082

Ref. No.	Part No.	Description	No. Used
1	792035	Ring - Retaining	1
2	780072	Washer - Thrust	5
3	776135	Shaft - Input	1
4	792001	"O"Ring	2
5	780142	Bearing - Needle	1
6	780086A	Bearing - Needle	1
7	770090A	Case - Transmission	1
8	778153	Bevel Pinion - Input	1
9	788040	Ring - Retaining	1
10	772099A	Cover - Transmission	1
11	792073A	Screw - Self Tapping	6
12	788069	Seal - Square Cut	1
13	792074	Plug - Threaded	1
14	792078	Screw - Set	1
15	792079	Spring	1
16	792077A	Ball - Steel	1
17	780092	Bearing - Ball	2
18	780065	Washer - Thrust	2
19	780139	Washer - Thrust	1
20	786072	Spacer	1
21	778123A	Gear - Spur (25 Teeth)	1
22	780108	Washer - Thrust	4

Ref. No.	Part No.	Description	No. Used
23	778250	Gear - Spur (27 Teeth)	1
24	778124A	Gear - Spur (30 Teeth)	1
25	778125	Gear - Spur (35 Teeth)	1
26	792089A	Key	4
27	776421	Shaft - Shifter & Brake	1
28	784266	Collar - Shift	1
29	786083	Sprocket (18 Teeth)	1
30	786081	Chain - Roller (No. 41 Chain 24 Links)	1
31	780105A	Bushing - Flanged	2
32	786082	Sprocket (9 Teeth)	1
33	784267	Rod & Fork Asm - Shift	1
34	776134	Shaft - Counter	1
35	778154	Gear - Bevel (42Teeth)	1
36	778136	Gear - Spur (15 Teeth)	1
37	778126A	Gear - Spur (20 Teeth)	1
38	778249	Gear - Spur (23 Teeth)	1
39	778127A	Gear - Spur (25 Teeth)	1
40	786071	Spacer	1
*	788067B	Grease 32oz Bottle	1
*	510334	Grease Eliminator	1

Peerless transmission  
Order Part's from Peerless







