



Count on it.

Parts Catalog

48cm Super Recycler®

Model No. 21681—Serial No. 405490000 and Up



Ordering Replacement Parts

To order replacement parts, please supply the part number, the quantity, and the description of each part desired.

Understanding Reference Numbers

Each identified part in an illustration has a reference number. The reference number for a part also appears in the parts list, along with other information about the part.

This catalog uses two special reference number formats, one to indicate parts in a service assembly and another to indicate the quantity of a given part in an illustration.

Service Assembly Reference Numbers

Parts in service assemblies have reference numbers in the form a:b. The a represents the reference number of the entire service assembly and the b represents a sequential number unique to each part within the service assembly.

For example, a wheel assembly might be identified by reference number 6, the tire by 6:1, the valve by 6:2, and the wheel by 6:3. When you order the assembly identified by reference number 6, you receive all parts identified by reference numbers 6:1, 6:2, and 6:3. However, you may also order any part individually. Reference numbers of this type appear in illustration and in parts lists.

Reference Numbers Indicating Quantity

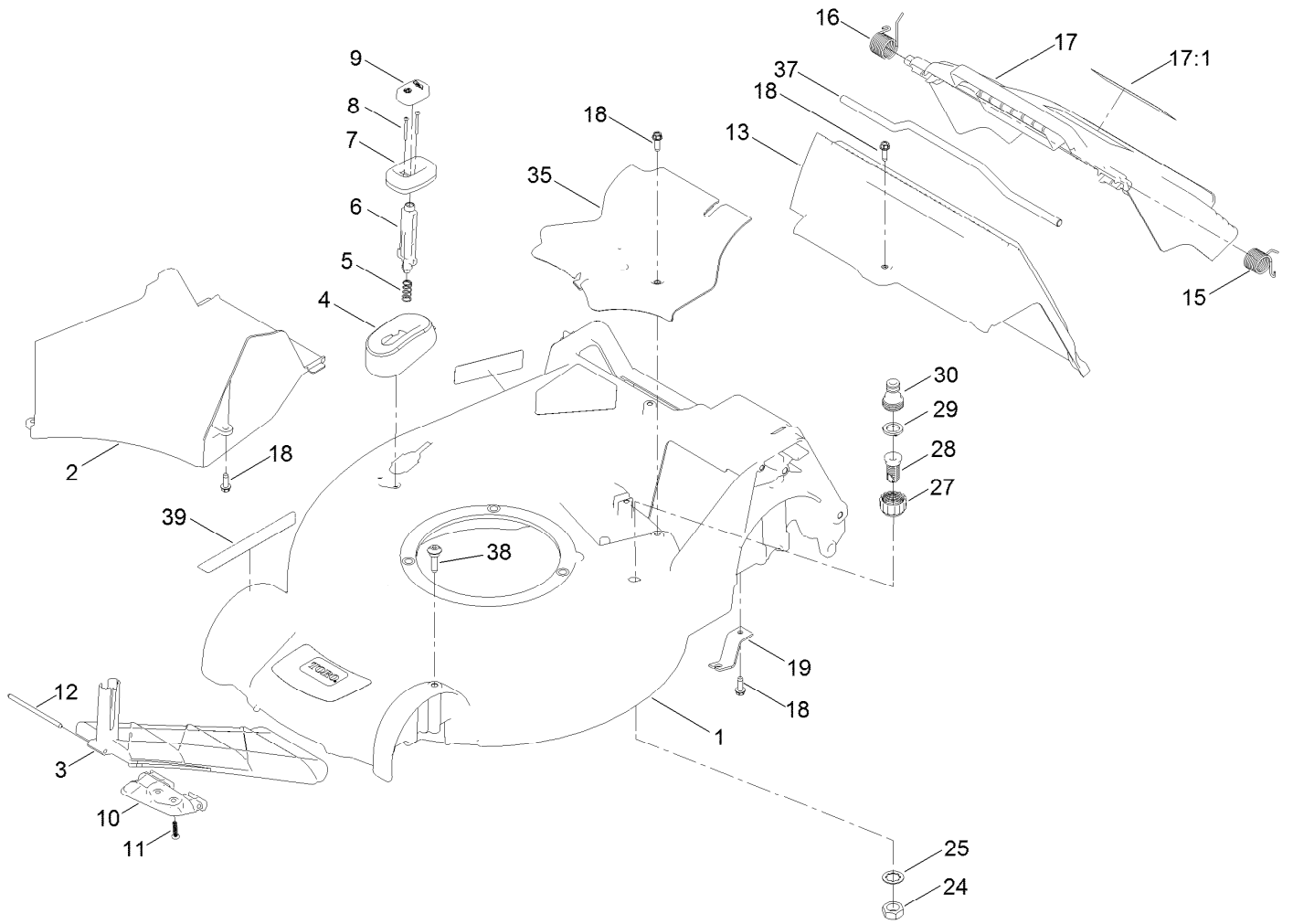
In an illustration, if a reference number indicates more than one part, the reference number has the form nX y. The n represents the quantity of the part, the X is the multiplication symbol, and the y represents the reference number.

For example, in an illustration, the reference number 2X 37 means that two of the parts identified by reference number 37 are indicated.

Contents

Housing Assembly	4
Housing Decal Assembly No. 117-4093	6
Bag and Frame Assembly	8
Engine and Blade Assembly	10
Shroud, Flywheel and Fuel Tank Assembly	12
Dipstick, Brake and Governor Arm Assembly	14
Carburetor, Muffler, Air Cleaner and Valve Cover Assembly	16
Traction Drive Assembly	18
Transmission Bracket Assembly	20
Handle Assembly	22
Attachments and Accessories	24

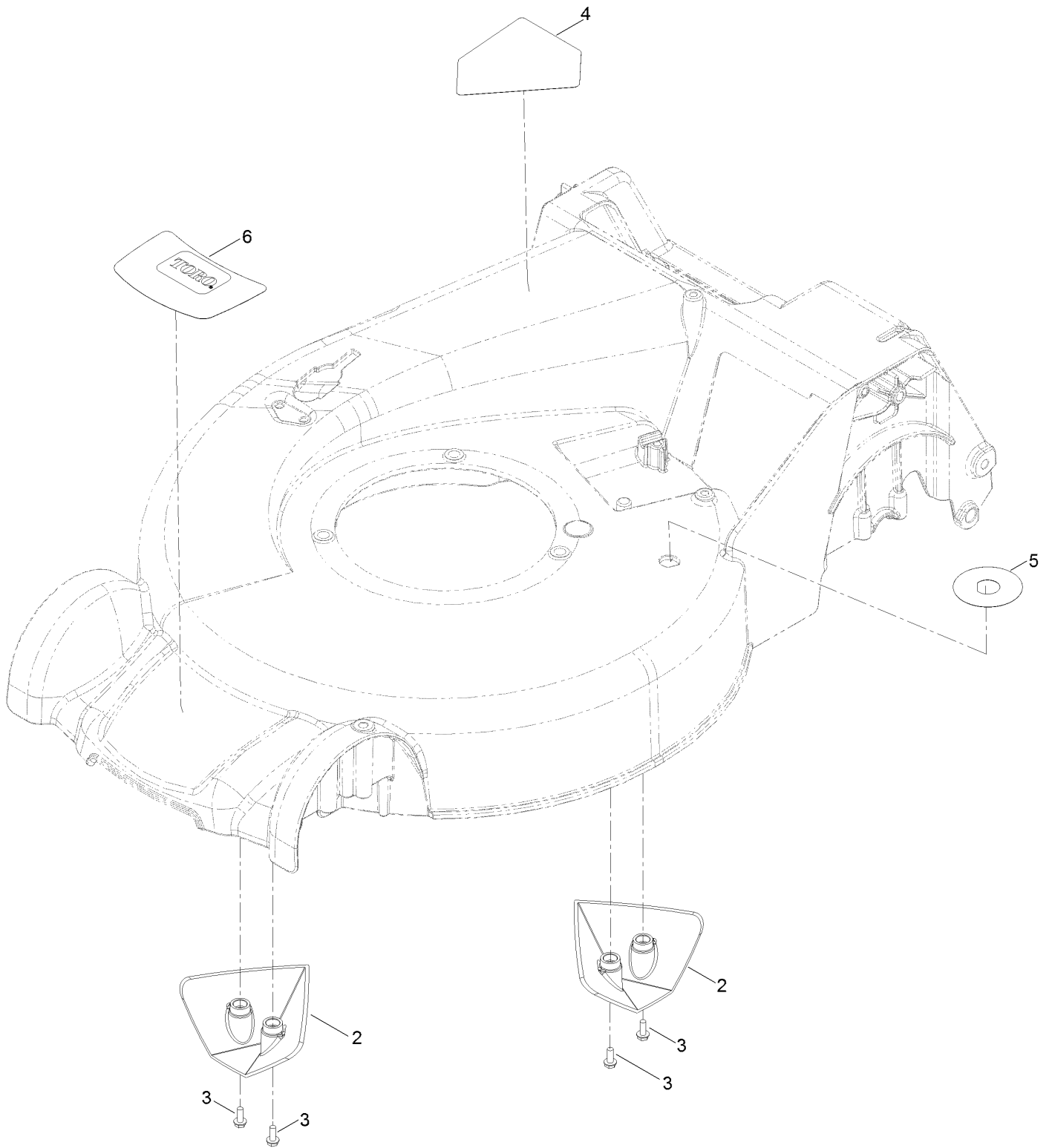
Housing Assembly



Housing Assembly (continued)

<i>Ref.</i>	<i>Part Number</i>	<i>Qty.</i>	<i>Description</i>	<i>Ref.</i>	<i>Part Number</i>	<i>Qty.</i>	<i>Description</i>
1	117-4093	1	Housing ASM	17	117-4085	1	Rear Door ASM
2	117-4063	1	Ramp-Discharge	17:1	131-4514	1	Decal-Warning
3	117-4064	1	Door-Recycle	18	49-2040	5	Screw-HWHTF
4	117-4065	1	Cover-Door, Recycle	19	138-3230	1	Bracket-Traction Cable
5	117-1031	1	Spring-Compression	24	3218-6	1	Nut-Jam
6	110-7129	1	Latch-Recycle	25	139-1721	1	Washer-Lock, Int Tooth
7	110-7136	1	Housing-Knob	27	112-6401	1	Coupling-Hose, Washout Port
8	110-7143	2	Screw-Plastic	28	112-6400	1	Port-Washout
9	119-2254	1	Knob-Recycle	29	112-6438	1	Washer-Seal, Washout Port
10	119-2262	1	Hinge-Door, Recycle	30	112-6437	1	Adapter-Connect, Quick
11	120-9676	2	Screw-Plastite	35	117-4062	1	Cover-Belt
12	119-2263	1	Pin-Hinge	37	117-9378	1	Rod-Deflector
13	114-2668	1	Chute	38	139-1693	1	Screw-Shoulder, BHTF
15	115-2859	1	Spring-Torsion	39	119-2283	1	Decal-HOC
16	114-7924	1	Spring-Torsion				

Housing Decal Assembly No. 117-4093

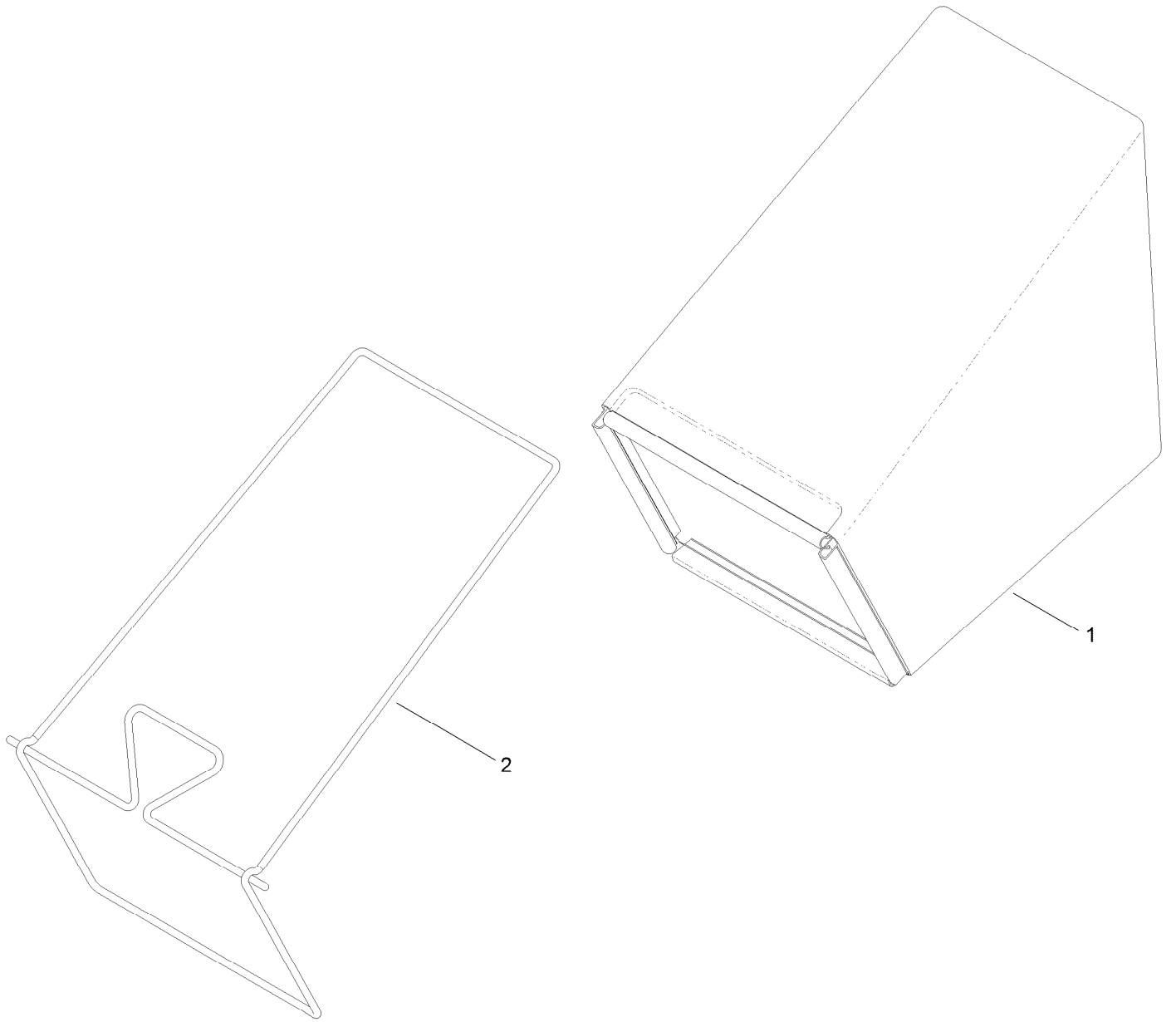


Housing Decal Assembly No. 117-4093 (continued)

<i>Ref.</i>	<i>Part Number</i>	<i>Qty.</i>	<i>Description</i>
2	99-6485	2	Kicker-Front
3	32144-1	4	Screw-Taptite
4	112-8760	1	Decal-Danger

<i>Ref.</i>	<i>Part Number</i>	<i>Qty.</i>	<i>Description</i>
5	137-9196	1	Decal-Quick Wash
6	120-3908	1	Decal-Deck, Super Recycler

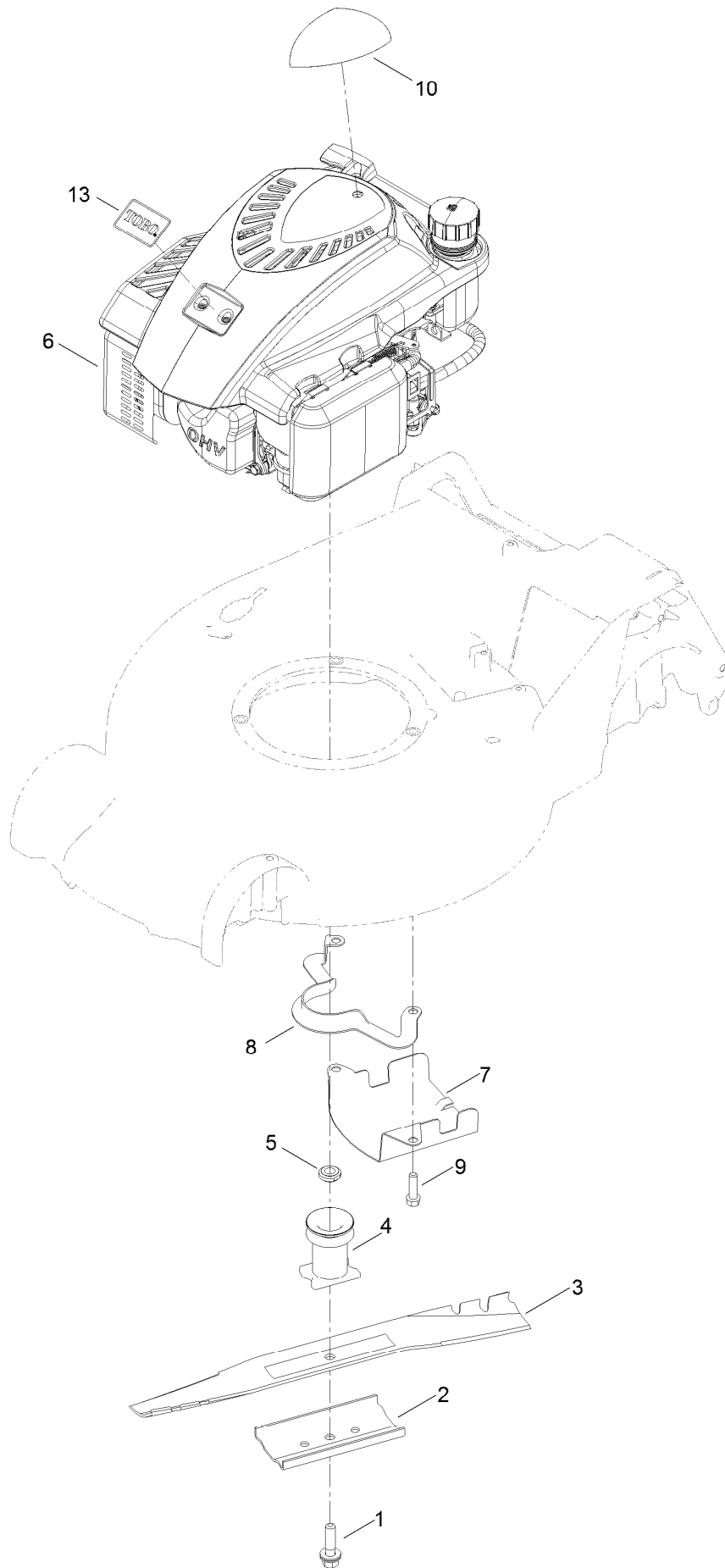
Bag and Frame Assembly



Bag and Frame Assembly (continued)

<i>Ref.</i>	<i>Part Number</i>	<i>Qty.</i>	<i>Description</i>
1	117-9365	1	Grass Bag ASM
2	117-9363-03	1	Frame-Bag

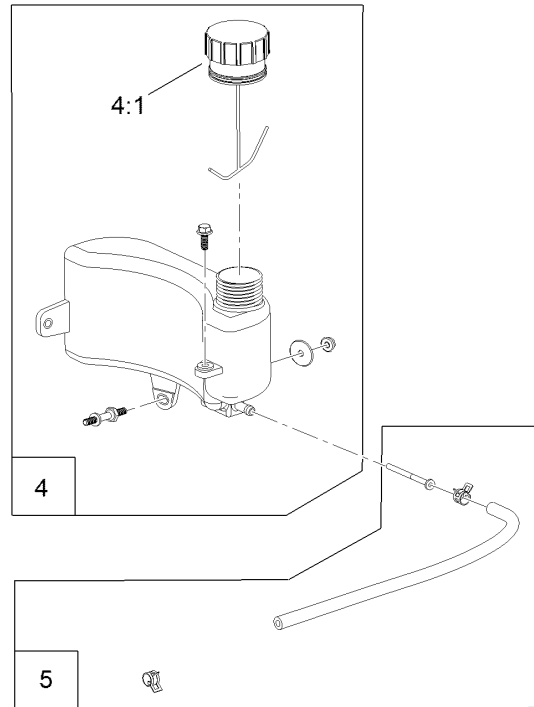
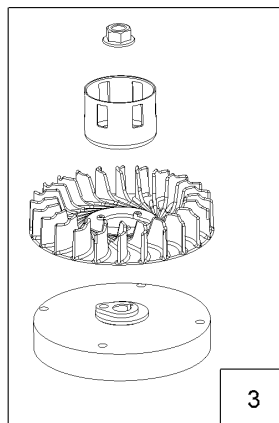
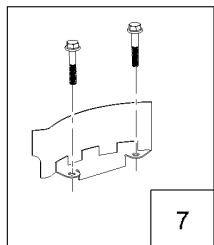
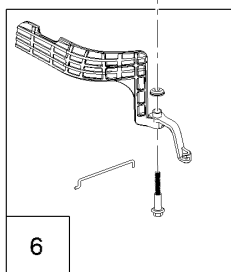
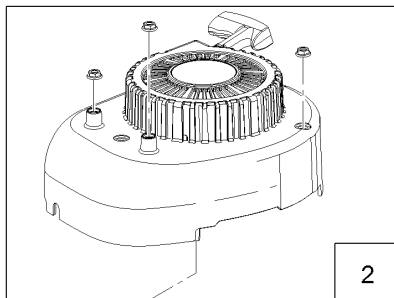
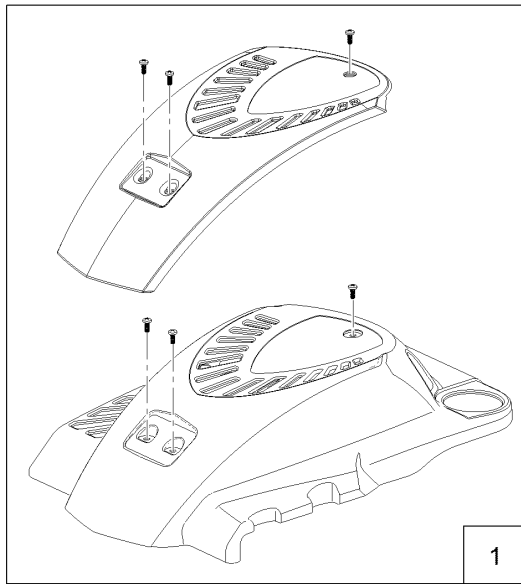
Engine and Blade Assembly



Engine and Blade Assembly (continued)

<i>Ref.</i>	<i>Part Number</i>	<i>Qty.</i>	<i>Description</i>	<i>Ref.</i>	<i>Part Number</i>	<i>Qty.</i>	<i>Description</i>
1	125-2466	1	Bolt-Blade	7	107-7489-03	1	Shield-Grass
2	108-3766-03	1	Support-Blade	8	108-8110-03	1	Guide-Belt
3	110-7080	1	Blade	9	92-1648	3	Screw-Mount, Engine
4	106-3987	1	Driver-Blade	10	120-1938	1	Decal-Shroud
5	106-3999	1	Spacer-Driver	13	121-2396	1	Decal
6	139-0607	1	Engine-1P65Fc				

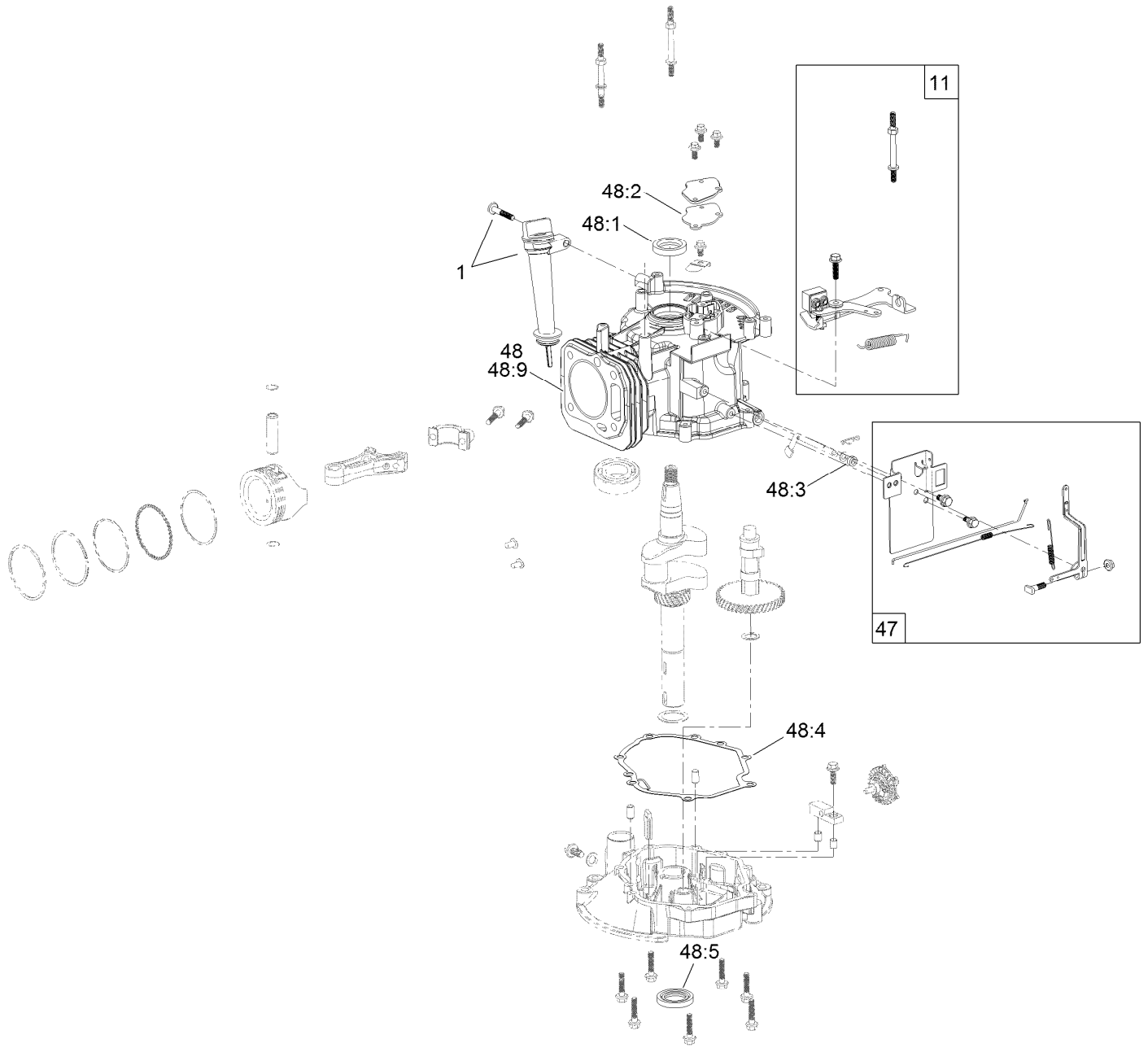
Shroud, Flywheel and Fuel Tank Assembly



Shroud, Flywheel and Fuel Tank Assembly (continued)

<i>Ref.</i>	<i>Part Number</i>	<i>Qty.</i>	<i>Description</i>	<i>Ref.</i>	<i>Part Number</i>	<i>Qty.</i>	<i>Description</i>
1	119-1990	1	Shroud ASM	4:1	121-4163	1	Cap-Fuel
2	121-4160	1	Recoil And Blower Shroud Kit	5	121-4167	1	Fuel Line Kit
3	119-1970	1	Flywheel And Fan Kit	6	121-4168	1	Air Vane Kit
4	121-4162	1	Fuel Tank Kit	7	119-1994	1	Flywheel Shield Kit

Dipstick, Brake and Governor Arm Assembly

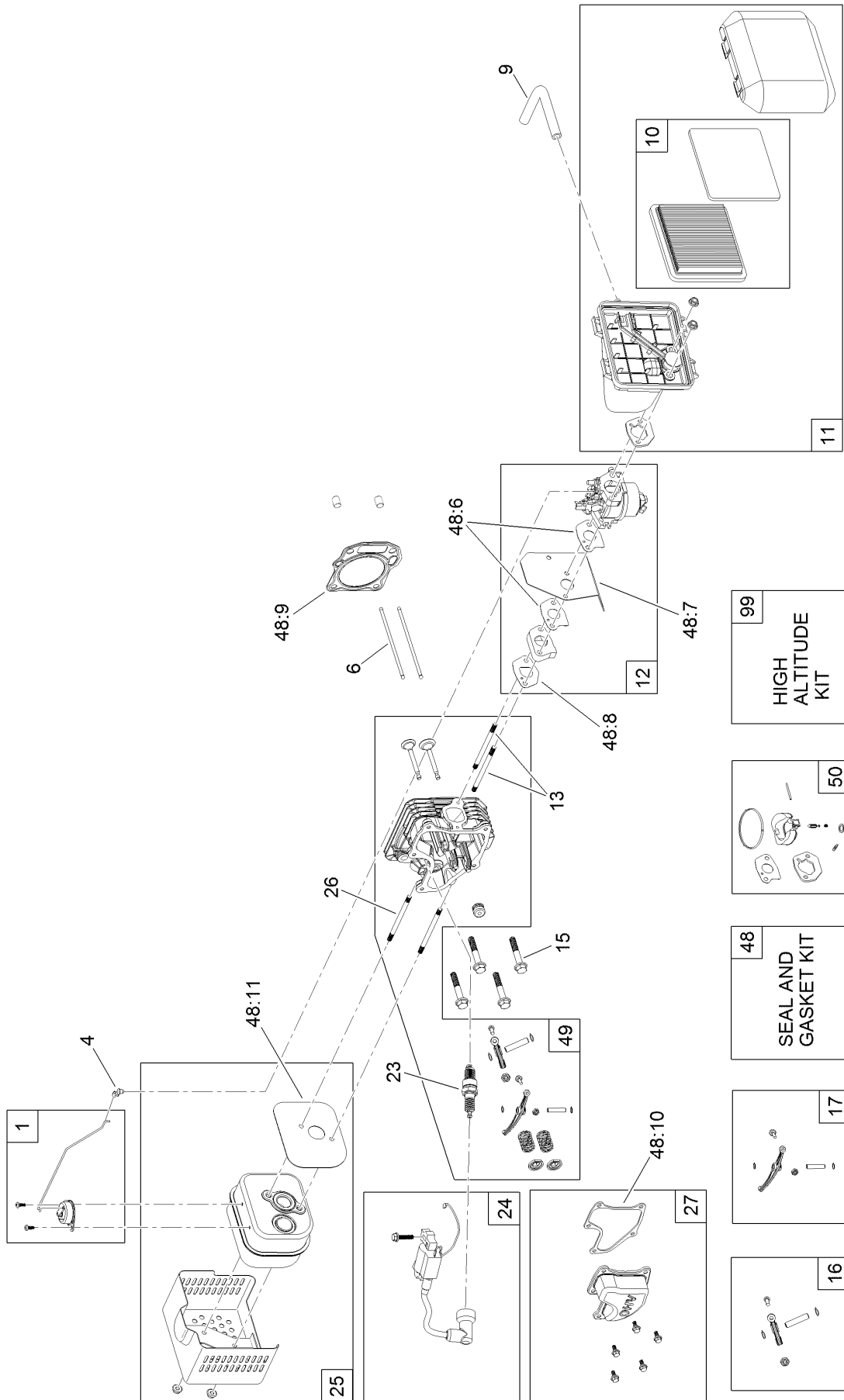


Dipstick, Brake and Governor Arm Assembly (continued)

<i>Ref.</i>	<i>Part Number</i>	<i>Qty.</i>	<i>Description</i>	<i>Ref.</i>	<i>Part Number</i>	<i>Qty.</i>	<i>Description</i>
1	121-4279	1	Dipstick And Fill Tube Kit	48:5	121-0022	1	Seal-Oil
11	119-1991	1	Brake ASM Recoil Kit	48:6	121-4184	2	Gasket-Carburetor ●
47	119-1968	1	Governor Arm Kit	48:7	120-4446	1	Insulator-Carburetor ●
48	127-9144	1	Seal And Gasket Kit	48:8	121-4183	1	Gasket-Intake ●
48:1	121-0019	1	Seal-Oil	48:9	121-4197	1	Gasket-Head
48:2	121-0020	1	Gasket-Breather	48:10	121-4190	1	Gasket-Valve Cover ●
48:3	121-0021	1	Seal-Oil	48:11	121-0034	1	Gasket-Exhaust ●
48:4	120-4459	1	Gasket-Cover, Case	48:12	121-4179	1	Gasket-Air Cleaner ●

● Not illustrated

Carburetor, Muffler, Air Cleaner and Valve Cover Assembly

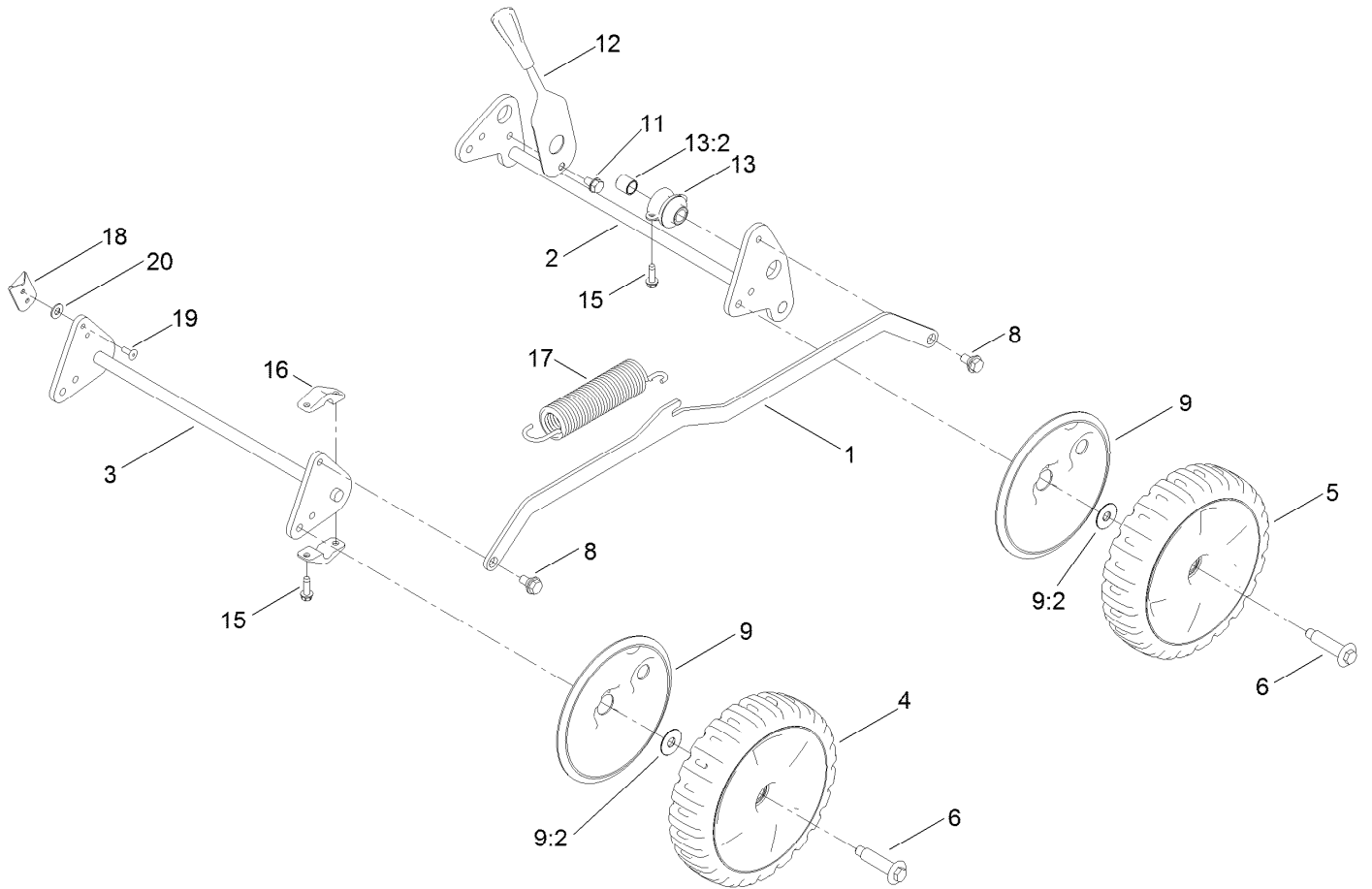


Carburetor, Muffler, Air Cleaner and Valve Cover Assembly (continued)

<i>Ref.</i>	<i>Part Number</i>	<i>Qty.</i>	<i>Description</i>	<i>Ref.</i>	<i>Part Number</i>	<i>Qty.</i>	<i>Description</i>
1	121-4175	1	Thermal Control Kit	48:1	121-0019	1	Seal-Oil ●
4	120-4451	1	Lock-Throttle	48:2	121-0020	1	Gasket-Breather ●
6	121-4193	2	Rod-Push	48:3	121-0021	1	Seal-Oil ●
9	119-1902	1	Tube-Breather	48:4	120-4459	1	Gasket-Cover, Case ●
10	119-1909	1	Air Filter And Prefilter Kit	48:5	121-0022	1	Seal-Oil ●
11	121-4177	1	Air Cleaner ASM Kit	48:6	121-4184	2	Gasket-Carburetor
12	136-7907	1	Carb Replacement Kit	48:7	120-4446	1	Insulator-Carburetor
13	121-0367	2	Stud-Intake	48:8	121-4183	1	Gasket-Intake
15	121-0043	4	Bolt-Flange	48:9	121-4197	1	Gasket-Head
16	136-7869	1	Intake Rocker Arm ASM	48:10	121-4190	1	Gasket-Valve Cover
17	136-7868	1	Exhaust Rocker Arm ASM	48:11	121-0034	1	Gasket-Exhaust
23	121-4199	1	Spark Plug	48:12	121-4179	1	Gasket-Air Cleaner ●
24	136-7912	1	Ignition ASM	49	136-7915	1	Complete Head ASM
25	121-4277	1	Muffler And Shield Kit	50	127-9146	1	Internal Carb Kit With Gaskets
26	121-0045	2	Stud-Exhaust				
27	121-4188	1	Valve Cover Kit	99	121-4242	1	High Altitude Kit
48	127-9144	1	Seal And Gasket Kit				

● Not illustrated

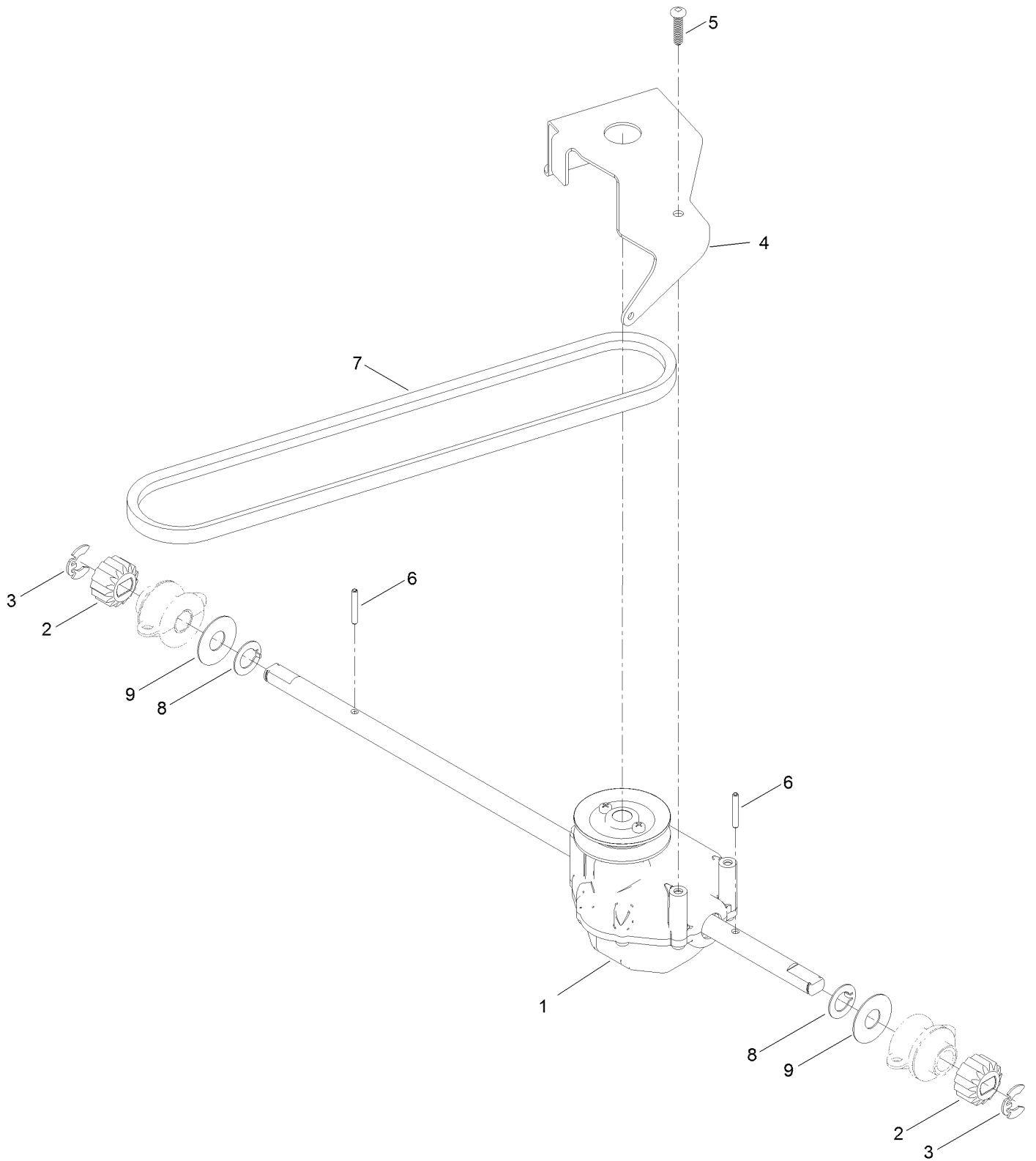
Traction Drive Assembly



Traction Drive Assembly (continued)

<i>Ref.</i>	<i>Part Number</i>	<i>Qty.</i>	<i>Description</i>	<i>Ref.</i>	<i>Part Number</i>	<i>Qty.</i>	<i>Description</i>
1	117-4066-01	1	Bar-Cross, HOC	11	139-1710	1	Screw-Thd Cut, HWH
2	120-0196-03	1	Bar-Pivot, Rear	12	117-4084	1	Handle-Lift Assist
3	120-3902-03	1	Bar-Pivot, Front	13	119-2278	2	Bushing ASM
4	117-4082	2	8 Inch Wheel ASM	13:2	27-6250	1	Bushing
5	117-4083	2	8 Inch Wheel And Gear ASM	15	49-2040	8	Screw-HWHTF
6	614650	4	Bolt-Shoulder	16	100-1500	4	Mount-Axle, Front
8	27-0411	2	Screw-Shoulder	17	119-2265	1	Spring-Extension
9	117-4088	4	Wheel Cover ASM	18	138-3231	1	Indicator-HOC
9:2	614426	1	Washer-Stepped	19	114439	2	Rivet-Blind
				20	139-1699	2	Washer-Flat

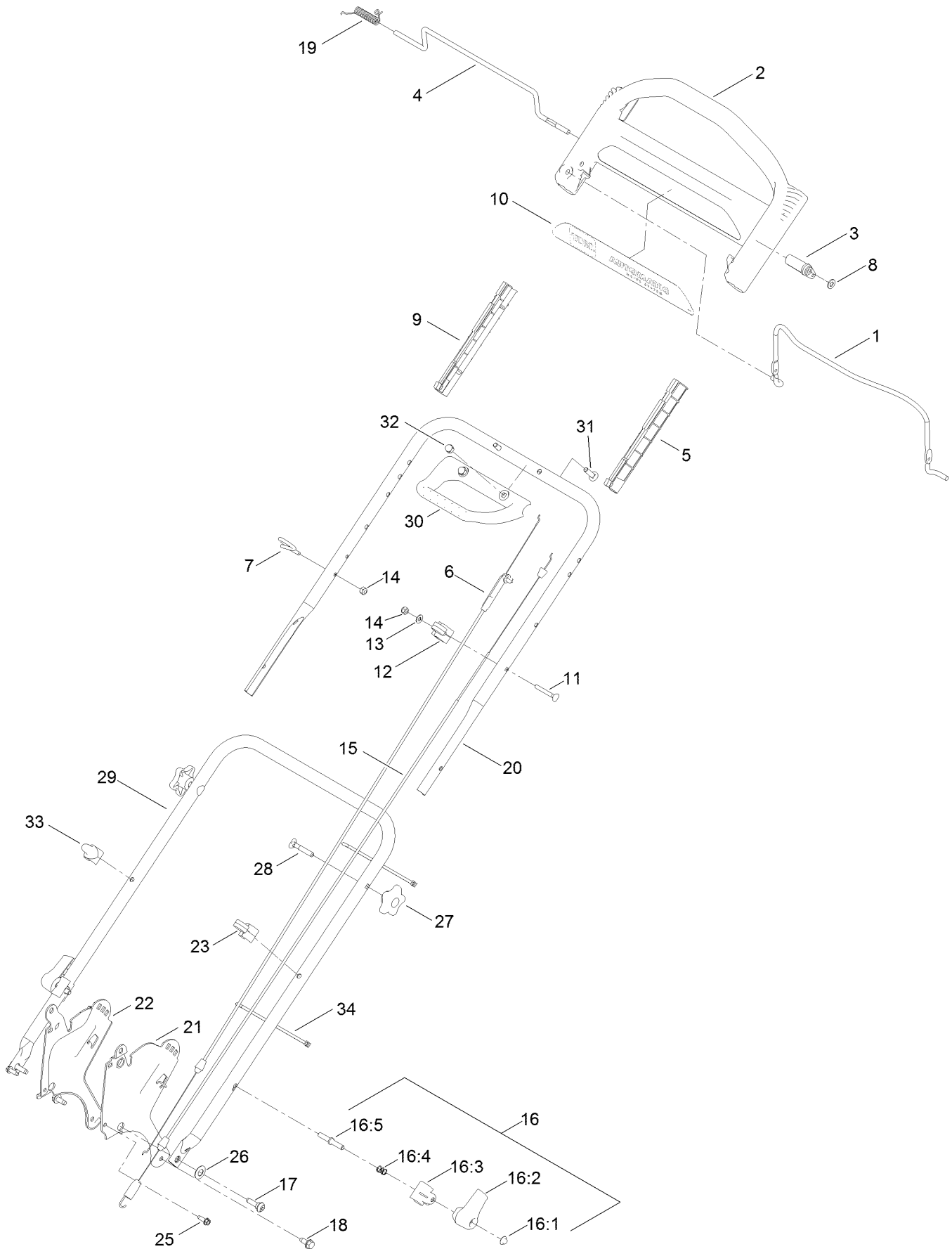
Transmission Bracket Assembly



Transmission Bracket Assembly (continued)

<i>Ref.</i>	<i>Part Number</i>	<i>Qty.</i>	<i>Description</i>	<i>Ref.</i>	<i>Part Number</i>	<i>Qty.</i>	<i>Description</i>
1	117-4086	1	Transmission-Gearbox	6	110-7192	2	Pin-Roll
2	131-5399	2	Gear-Pinion, 15T	7	110-9429	1	V-Belt
3	65-2720	2	Ring-Retaining, Clip	8	112-3911	2	Washer-Thrust, Keyed
4	114-7977-03	1	Bracket-Transmission	9	110-7179	2	Washer-Plain
5	120-9676	3	Screw-Plastite				

Handle Assembly



Handle Assembly (continued)

<i>Ref.</i>	<i>Part Number</i>	<i>Qty.</i>	<i>Description</i>	<i>Ref.</i>	<i>Part Number</i>	<i>Qty.</i>	<i>Description</i>
1	131-0880-03	1	Bail-Brake	16:4	115-2858	1	Spring-Compression
2	104-8678	1	Handle-Control	16:5	138-3243	1	Rod-Release
3	99-1589	1	Lever-Traction	17	139-1693	2	Screw-Shoulder, BHTF
4	136-7150	1	Bar-Control, Traction	18	32144-70	2	Screw-HWHTF
5	105-6842	1	Guide-LH	19	136-7166	1	Spring-Torsion
6	108-8157	1	Cable-Brake	20	132-4484-05	1	Handle-Upper
7	86-9671	1	Guide-Rope	21	114-2671-03	1	Bracket-Handle, LH
8	120-9683	1	Washer-Plain	22	114-2672-03	1	Bracket-Handle, RH
9	105-6841	1	Guide-RH	23	114-7988	1	Guide-Cable
10	120-3911	1	Decal-Handle	25	49-2040	2	Screw-HWHTF
11	137-3109	1	Bolt-CARR	26	112-9972	2	Washer-Spring, Conical
12	136-5864	1	Anchor-Cable	27	117-5976	2	Knob-Handle
13	139-1699	1	Washer-Flat	28	137-3107	2	Screw-Handle
14	137-3094	2	Nut-Hex	29	117-9380-05	1	Handle-Lower
15	117-9389	1	Cable-Traction	30	131-0847	1	Handle-Assist, Traction
16	138-3249	2	Quick Release ASM	31	139-1702	2	Bolt-Carriage
16:1	32112-11	1	Nut-Push	32	137-4808	2	Nut-Acorn
16:2	138-3248	1	Lever-Release	33	117-4141	1	Guide-Rope, Lower
16:3	138-3253	1	Anchor-Spring	34	614249	2	Tie-Cable

Attachments and Accessories

For 21681 48cm Super Recycler

Product Name	Model/Part
Lawnmower Cover.....	490-7462
Plain Walk Mower Cover.....	490-7463

Notes:

Notes:

Notes:



Count on it.