



## 5 and 8 Blade Cutting Unit

### Reelmaster<sup>®</sup> 5000

Model No. 03527—210000001 and Up

Model No. 03528—210000001 and Up

## Parts Catalog

### Ordering Replacement Parts

To order replacement parts, please supply: the part number, the quantity, and the description of each part desired.

### Understanding Reference Numbers

Each identified part in an illustration has a reference number. The reference number for a part also appears in the parts list, along with other information about the part.

This catalog uses two special reference number formats, one to indicate parts in a service assembly and another to indicate the quantity of a given part in an illustration.

### Service Assembly Reference Numbers

Parts in service assemblies have reference numbers in the form **a:b**. The **a** represents the reference number of the entire service assembly and the **b** represents a sequential number unique to each part within the service assembly.

For example, a wheel assembly might be identified by reference number **6**, the tire by **6:1**, the valve by **6:2**, and the wheel by **6:3**. When you order the assembly identified by reference number **6**, you receive all parts identified by reference numbers **6:1**, **6:2**, and **6:3**. However, you may also order any part individually.

Reference numbers of this type appear in illustrations and in part lists.

### Reference Numbers Indicating Quantity

In an illustration, if a reference number indicates more than one part, the reference number has the form **nX y**. The **n** represents the quantity of the part, the **X** is the multiplication symbol, and the **y** represents the reference number.

For example, in an illustration, the reference number **2X 37** means that two of the parts identified by reference number **37** are indicated.

## Contents

| Description                              | Page | Description                    | Page |
|--|------|--------------------------------|------|
| Reel and Frame Assembly .....            | 3    | Gauge Bar, Angle Indicator and |      |
| Rollers and Carrier Frame Assembly ..... | 4    | Handle Assemblies .....        | 6    |

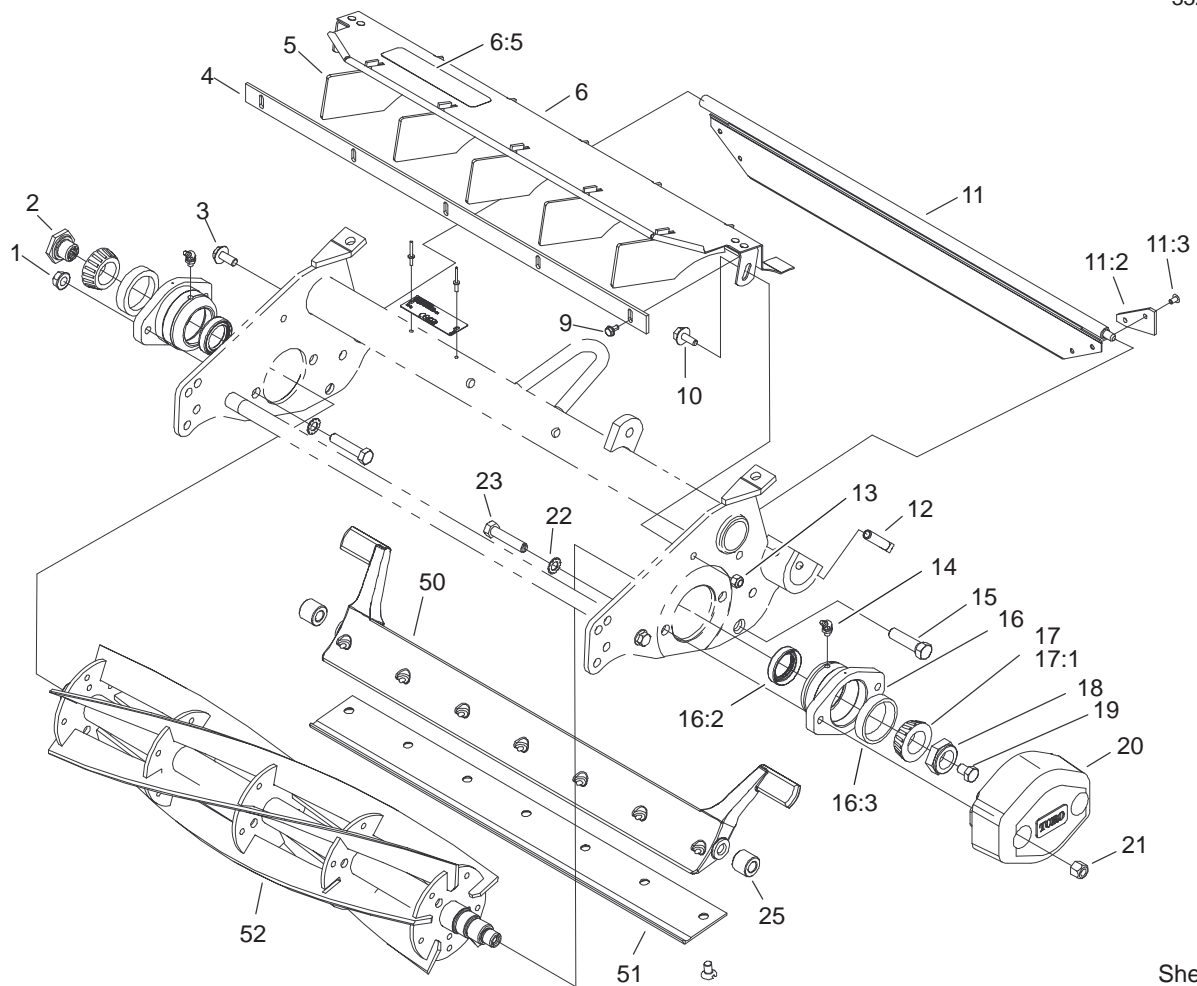
## Accessories

| Description                 | Model / Part No. | Description                       | Model / Part No. |
|-----------------------------|------------------|-----------------------------------|------------------|
| Basket Kit .....            | 03532            | Wiehle Scraper Kit .....          | 104-3380-03      |
| Rear Roller Brush Kit ..... | 03533            | Shoulder Roller Scraper Kit ..... | 104-8208-03      |
| Comb Kit .....              | 104-3385         | Rear Roller Scraper Kit .....     | 104-3395         |
| Front HOC Adjust Kit .....  | 104-8205         | 3" Diameter Collar Kit .....      | 104-8215         |

## Part Description Abbreviations

Part descriptions in this catalog may include the following abbreviations.

| Abbreviation | Meaning                           | Abbreviation | Meaning                 |
|--------------|-----------------------------------|--------------|-------------------------|
| AR .....     | as required                       | HYD .....    | hydraulic               |
| ASM .....    | assembly                          | INC .....    | incorporated            |
| CARR .....   | carriage                          | LH .....     | left hand               |
| DEG .....    | degrees                           | NI .....     | nylon insert            |
| FH .....     | flat head                         | PPH .....    | Phillips pan head       |
| GA .....     | gauge                             | PTH .....    | Phillips truss head     |
| HF .....     | hex flange                        | PTO .....    | power take off          |
| HH .....     | hex head                          | RH .....     | right hand              |
| HHF .....    | hex head flange                   | SFH .....    | slotted fillister head  |
| HLH .....    | hex lag head                      | SHH .....    | slotted hex head        |
| HJ .....     | hex jam                           | SQH .....    | square head             |
| HOC .....    | height-of-cut                     | SHWH .....   | slotted hex washer head |
| HS .....     | hex socket                        | SPH .....    | slotted pan head        |
| HSBH .....   | hex socket button head            | SRH .....    | slotted round head      |
| HSFH .....   | hex socket flat head              | STD .....    | standard                |
| HSH .....    | hex socket head                   | TAP .....    | self tapping            |
| HWH .....    | hex washer head                   | TTH .....    | Torx truss head         |
| HWHTF .....  | hex washer head<br>thread forming | WH .....     | wing head               |



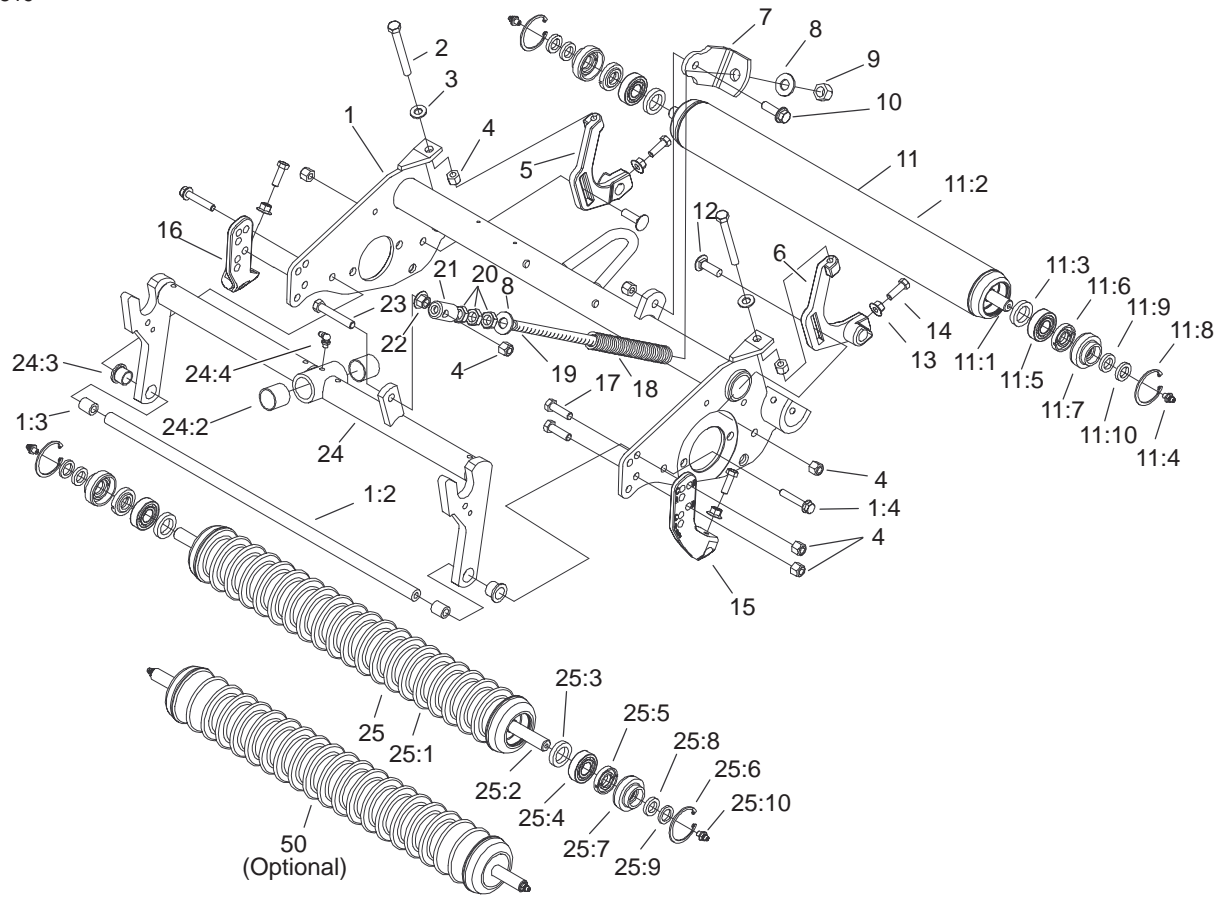
Sheet No.:2

## Reel and Frame Assembly

| Ref. No. | Part No. | Qty. | Description               |
|----------|----------|------|---------------------------|
| 1        | 32128-36 | 2    | Nut-HF                    |
| 2        | 93-1394  | 1    | Nut-Spline                |
| 3        | 3234-5   | 1    | Screw-HHF                 |
| 4        | 36-7260  | 1    | Bar-Off, Cut              |
| 5        | 98-8162  | 5    | Deflector                 |
| 6        | 100-4181 | 1    | Front Grass Shield<br>ASM |
| 6:5      | 67-7960  | 1    | Decal-Danger              |
| 6:5      | 93-6688  | 1    | Decal-Danger, Europe      |
| 6:5      | 94-4584  | 1    | Decal-Danger (Japan)      |
| 9        | 104-2065 | 5    | Screw-HWH                 |
| 10       | 3234-4   | 2    | Screw-HHF                 |
| 11       | 100-7136 | 1    | Rear Grass Shield<br>ASM  |
| 11:2     | 75-1720  | 2    | Flap-Shield, Rear         |
| 11:3     | 700382   | 4    | Rivet                     |
| 12       | 104-8216 | 4    | Screw-SQH                 |
| 13       | 3296-42  | 2    | Nut-Lock, NI              |
| 14       | 302-11   | 2    | Fitting-Lube, 45°         |
| 15       | 100-7126 | 2    | Bolt-Wheel                |
| 16       | 104-3399 | 2    | Bearing Housing ASM       |
| 16:2     | 104-3388 | 1    | Seal-Grease               |
| 16:3     | 254-72   | 1    | Bearing-Taper/Cup         |
| ☆17      |          | 2    | Bearing W/Grease          |
| 17:1     | 254-94   | 1    | Bearing-Taper/Cone        |
| 18       | 3296-60  | 1    | Nut-Lock NI               |

| Ref. No. | Part No.    | Qty. | Description                      |
|----------|-------------|------|----------------------------------|
| 19       | 323-2       | 1    | Screw-HH                         |
| 20       | 100-7113-01 | 1    | Weight-End                       |
| 21       | 3296-39     | 2    | Nut-Lock, NI                     |
| 22       | 3255-9      | 4    | Washer-Lock/Ext                  |
| 23       | 57-3210     | 4    | Screw                            |
| 25       | 100-7123    | 2    | Spacer-Bedbar                    |
| 50       | 100-7124-01 | 1    | Bedbar-Machined                  |
| 51       | 63-8610     | 1    | Bedknife                         |
| *51      | 100-3350    | 1    | Bedknife-Duty, Heavy             |
| *52      | 14-0649     | 1    | Reel-8 Blade (only<br>on: 03528) |
| 52       | 14-0659     | 1    | Reel-5 Blade (only<br>on: 03527) |

- ☆ Not serviced  
\* Not illustrated

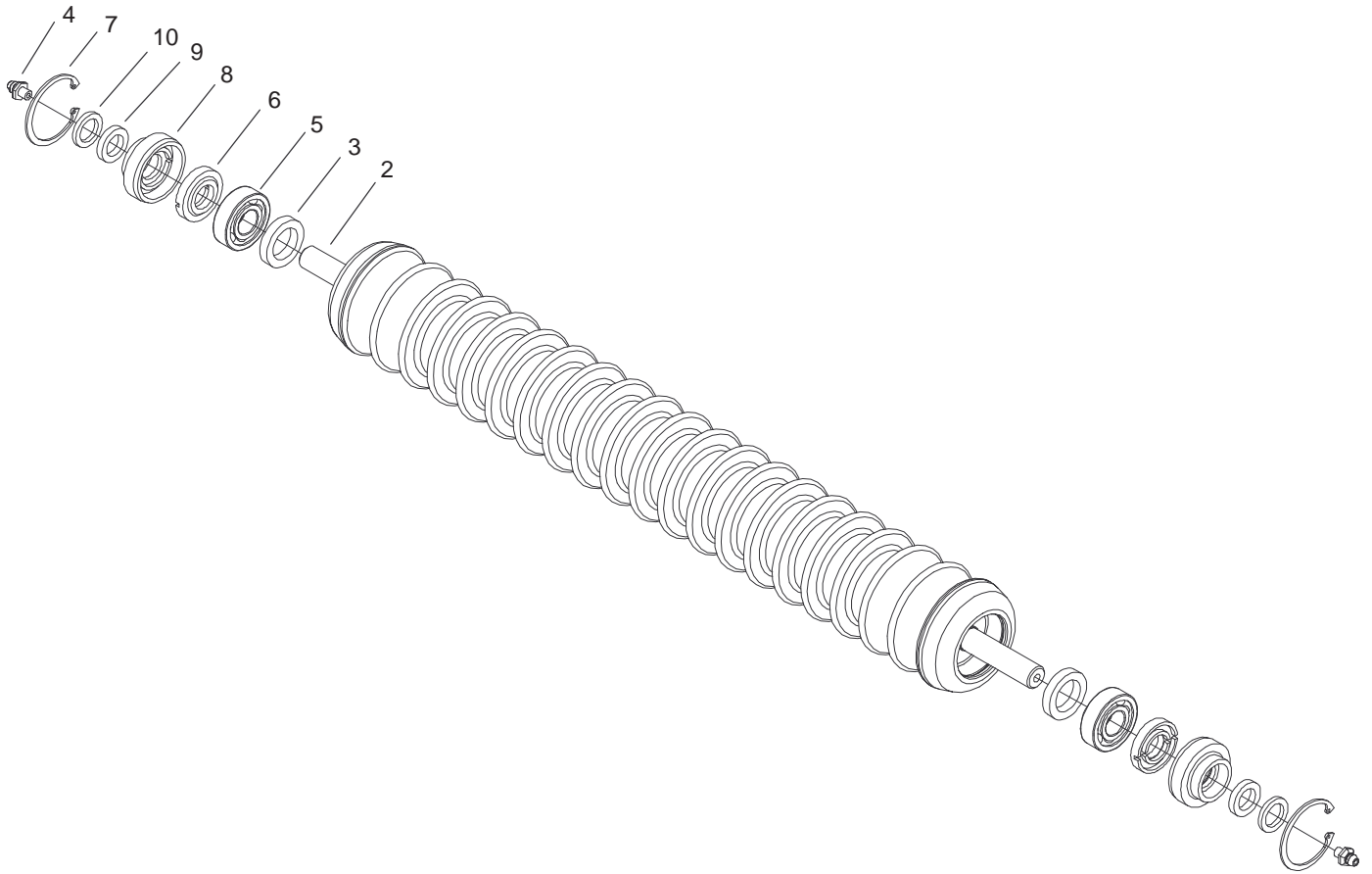


Sheet No.:3  
T-3745

## Rollers and Carrier Frame Assembly

| Ref. No. | Part No.    | Qty. | Description     |
|----------|-------------|------|-----------------|
| 1        | 100-7140    | 1    | Reel Frame ASM  |
| 1:2      | 104-3365    | 1    | Rod-Support     |
| 1:3      | 104-3366    | 2    | Spacer          |
| 1:4      | 3234-19     | 2    | Screw-Hfh       |
| 2        | 323-49      | 2    | Bolt-TAP        |
| 3        | 3256-24     | 2    | Washer-Flat     |
| 4        | 3296-39     | 10   | Nut-Lock, NI    |
| 5        | 100-7105-01 | 1    | Adjust-HOC, RH  |
| 6        | 100-7106-01 | 1    | Adjust-HOC, LH  |
| 7        | 104-3661    | 1    | Bracket-Spring  |
| 8        | 87-7270     | 2    | Washer - Thrust |
| 9        | 3296-23     | 1    | Nut-Lock, NI    |
| 10       | 3234-24     | 1    | Screw-HHF       |
| 11       | 100-2536    | 1    | Roller ASM      |
| 11:1     | 100-2538    | 1    | Shaft-Roller    |
| 11:2     | 100-2537-03 | 1    | Roller Tube ASM |
| 11:3     | 93-3007     | 2    | Seal-Oil        |
| 11:4     | 302-5       | 2    | Fitting-Grease  |
| 11:5     | 109966      | 2    | Bearing-Ball    |
| 11:6     | 93-1251     | 2    | Seal-Inner      |
| 11:7     | 93-1252     | 2    | Seal-Outer      |
| 11:8     | 32120-62    | 2    | Ring-Retaining  |
| 11:9     | 253-70      | 2    | Seal - Oil      |
| 11:10    | 93-2931     | 2    | Washer-Roller   |
| 12       | 3231-25     | 2    | Screw-CARR      |
| 13       | 32128-20    | 4    | Nut-HF          |

| Ref. No. | Part No.    | Qty. | Description         |
|----------|-------------|------|---------------------|
| 14       | 322-5       | 4    | Screw-HH            |
| 15       | 104-3375-01 | 1    | Bracket-HOC, LH     |
| 16       | 104-3373-01 | 1    | Bracket-HOC, RH     |
| 17       | 323-7       | 4    | Screw-HH            |
| 18       | 104-3394    | 1    | Spring-Compression  |
| 19       | 104-3355    | 1    | Rod-Spring          |
| 20       | 3218-5      | 3    | Nut-Jam             |
| 21       | 99-8662     | 1    | Tube - Spring       |
| 22       | 32128-43    | 1    | Nut-Flange          |
| 23       | 104-3396    | 1    | Screw-HH            |
| 24       | 104-3357    | 1    | Carrier Frame ASM   |
| 24:2     | 67-1750     | 2    | Bushing             |
| 24:3     | 75-2160     | 2    | Bushing             |
| 24:4     | 302-60      | 1    | Fitting-Lube        |
| 25       | 100-7132    | 1    | Wiehle Roller ASM   |
| 25:1     | 100-7131-03 | 1    | Wiehle Roller       |
| 25:2     | 104-1806    | 1    | Shaft-Roller        |
| 25:3     | 93-3007     | 2    | Seal-Oil            |
| 25:4     | 109966      | 2    | Bearing-Ball        |
| 25:5     | 93-1251     | 2    | Seal-Inner          |
| 25:6     | 32120-62    | 2    | Ring-Retaining      |
| 25:7     | 93-1252     | 2    | Seal-Outer          |
| 25:8     | 253-70      | 2    | Seal - Oil          |
| 25:9     | 93-2931     | 2    | Washer-Roller       |
| 25:10    | 302-5       | 2    | Fitting-Grease      |
| 50       | 104-3369    | 1    | Shoulder Roller ASM |



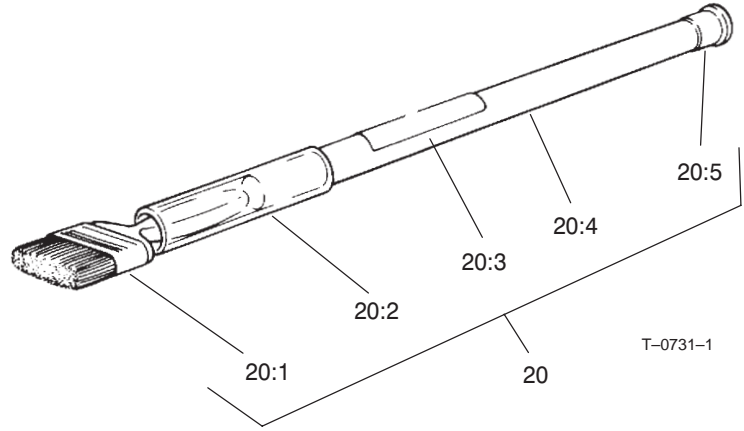
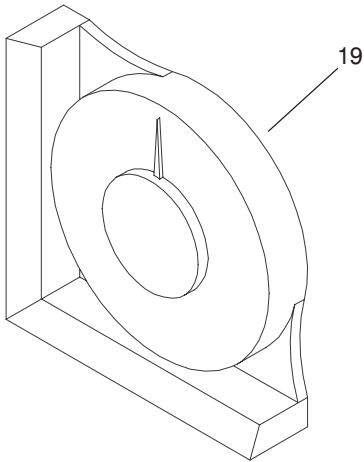
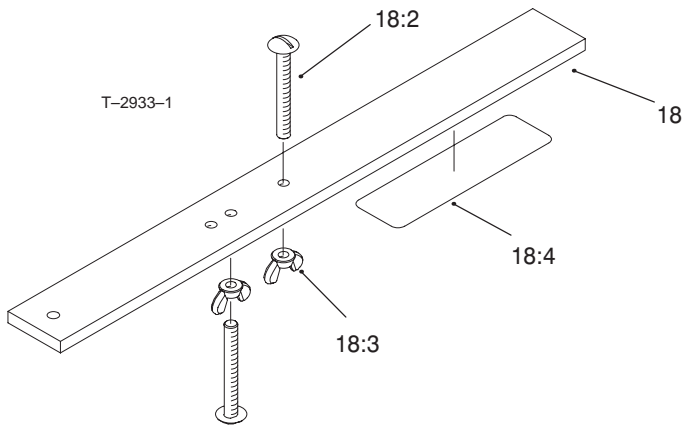
Sheet No.:A1

T-3751

## Shoulder Roller Assembly No. 104-3369 (Optional)

| Ref. No. | Part No. | Qty. | Description    |
|----------|----------|------|----------------|
| 2        | 104-1806 | 1    | Shaft-Roller   |
| 3        | 93-3007  | 2    | Seal-Oil       |
| 4        | 302-5    | 2    | Fitting-Grease |
| 5        | 109966   | 2    | Bearing-Ball   |
| 6        | 93-1251  | 2    | Seal-Inner     |
| 7        | 32120-62 | 2    | Ring-Retaining |
| 8        | 93-1252  | 2    | Seal-Outer     |
| 9        | 253-70   | 2    | Seal - Oil     |
| 10       | 93-2931  | 2    | Washer-Roller  |

| Ref. No. | Part No. | Qty. | Description |
|----------|----------|------|-------------|
|          |          |      |             |
|          |          |      |             |
|          |          |      |             |
|          |          |      |             |
|          |          |      |             |
|          |          |      |             |
|          |          |      |             |
|          |          |      |             |
|          |          |      |             |
|          |          |      |             |



Sheet No.:1

## Gauge Bar, Angle Indicator and Handle Assemblies

| Ref. No. | Part No. | Qty. | Description       |
|----------|----------|------|-------------------|
| 18       | 98-1852  | 1    | Gauge Bar ASM     |
| 18:2     | 32122-54 | 2    | Screw-Head, Truss |
| 18:3     | 32103-3  | 2    | Nut-Wing          |
| 18:4     | 98-7976  | 1    | Decal-Bar, Gauge  |
| 19       | 99-3503  | 1    | Indicator-Angle   |
| 20       | 29-9100  | 1    | Handle ASM        |
| 20:1     | 36-4310  | 1    | Brush             |
| 20:2     | 29-9090  | 1    | Hose-Handle       |
| 20:3     | 12-9140  | 1    | Decal-Body, Front |
| 20:4     | 29-9080  | 1    | Handle            |
| 20:5     | 2410-18  | 1    | Cap-Plastic       |

| Ref. No. | Part No. | Qty. | Description |
|----------|----------|------|-------------|
|          |          |      |             |
|          |          |      |             |
|          |          |      |             |
|          |          |      |             |
|          |          |      |             |
|          |          |      |             |
|          |          |      |             |
|          |          |      |             |
|          |          |      |             |
|          |          |      |             |



