



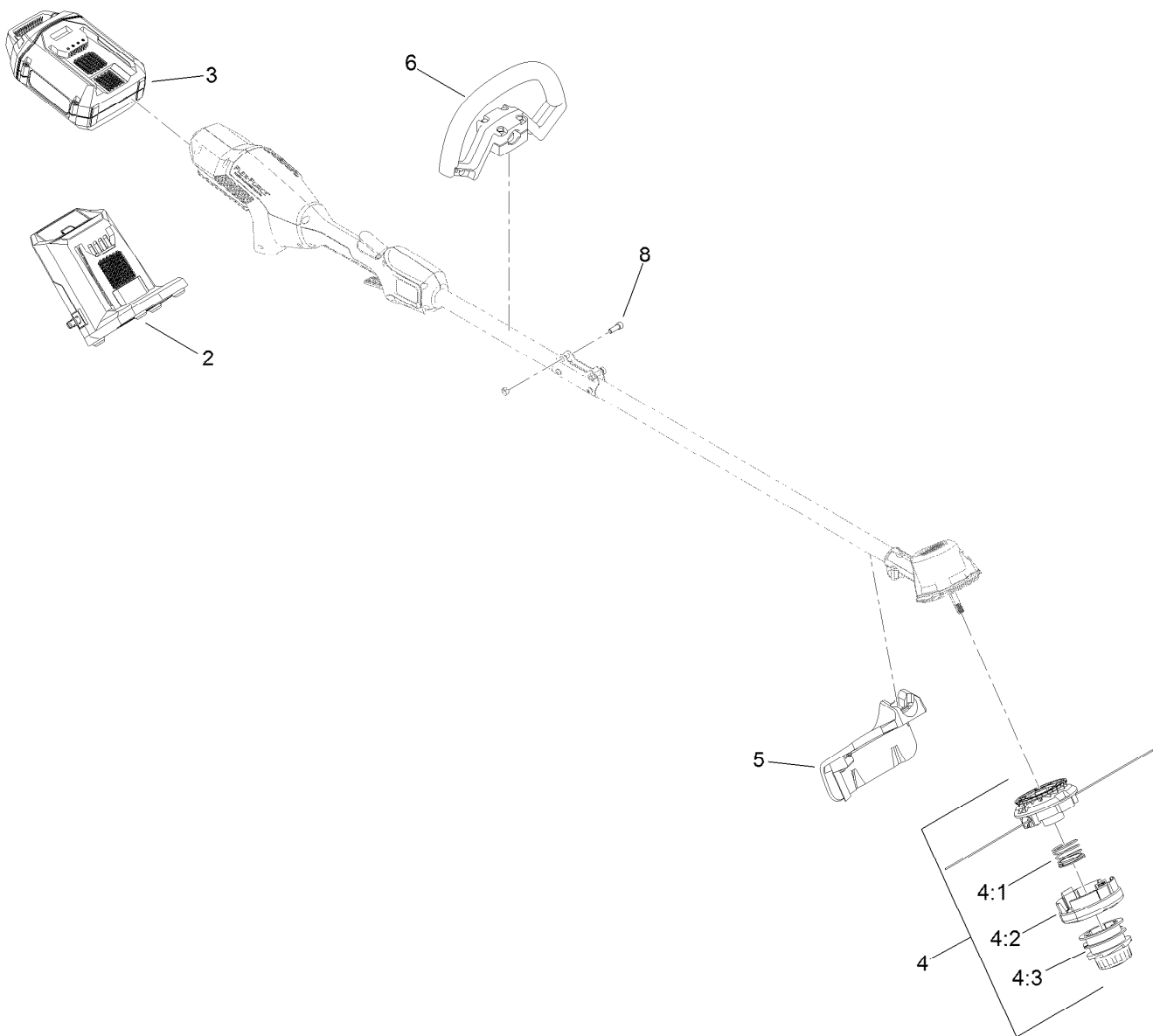
Count on it.

Parts Catalog

Flex-Force Power System™
14in or 16in 60V MAX String Trimmer

Model No. 51830—Serial No. 319000001 and Up





Cordless 60V MAX String Trimmer Assembly

<i>Ref.</i>	<i>Part Number</i>	<i>Qty.</i>	<i>Description</i>
2	88602	1	Charger-Battery, 60V 2 Amp
3	88625	1	Battery-Li Ion, 60V 2.5 Ah
4	139-8250	1	Bump Feed Head ASM
4:1	139-8252	1	Spring-Spool
4:2	139-8253	1	Cap-Feed, Bump
4:3	139-8254	1	Spool
5	139-8251	1	Shield-Grass
6	139-8255	1	Handle-Trimmer
8	3274-15	1	Screw-HSH

Attachments and Accessories

For 51830 Flex-Force Power System 14in or 16in 60V MAX String Trimmer

Product Name	Model/Part
60V Cordless Blower (Bare Tool).....	51820T
60V Battery Charger 2 AMP	88602
60V LI-ION Battery 2.5 AH.....	88625
60V LI-ION Battery 6.0 AH.....	88660
60V LI-ION Battery 7.5 AH.....	88675



Count on it.