



Jack Mount Kit for TimeCutter® Riding Mowers

Model No. 140-2711

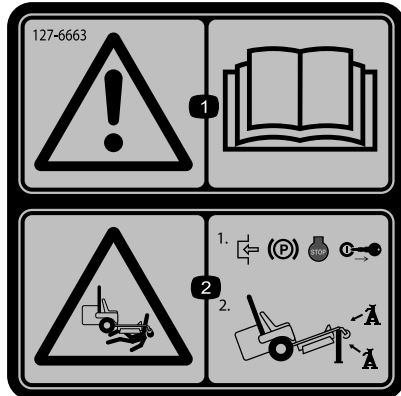
Installation Instructions

Safety

Safety and Instructional Decals



Safety decals and instructions are easily visible to the operator and are located near any area of potential danger. Replace any decal that is damaged or missing.



127-6663

decal127-6663

1. Warning—read the *Operator's Manual*.
2. Crushing hazard—engage the parking brake, shut off the engine, and remove the key; support the machine using jackstands.

Installation

Determine the left and right sides of the machine from the normal operating position.

1. Park the machine on a level surface, disengage the blade-control switch, and move the motion-control levers outward to the PARK position.
2. Shut off the engine, remove the key, and wait for all moving parts to stop before leaving the operating position.
3. Secure the jack mount to the frame on the left of the machine using 2 self-tapping bolts (Figure 1).

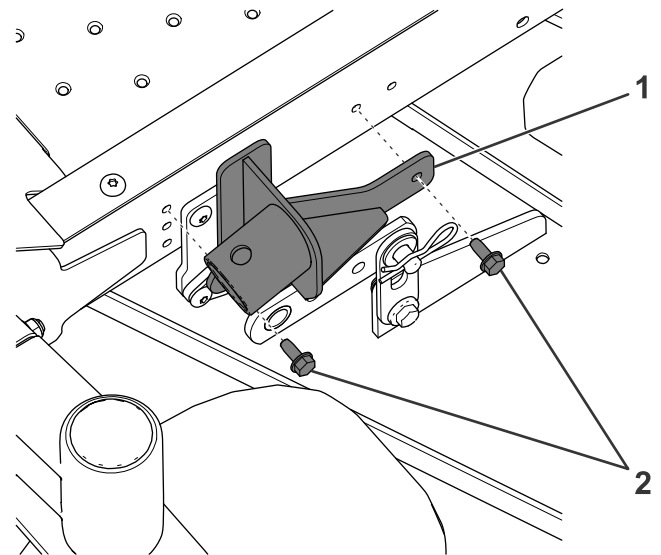


Figure 1

g307428

1. Jack mount
2. Self-tapping bolt

4. Torque the bolts to 17 to 22 N·m (150 to 200 in-lb).



Operation

Using the Jack Mount

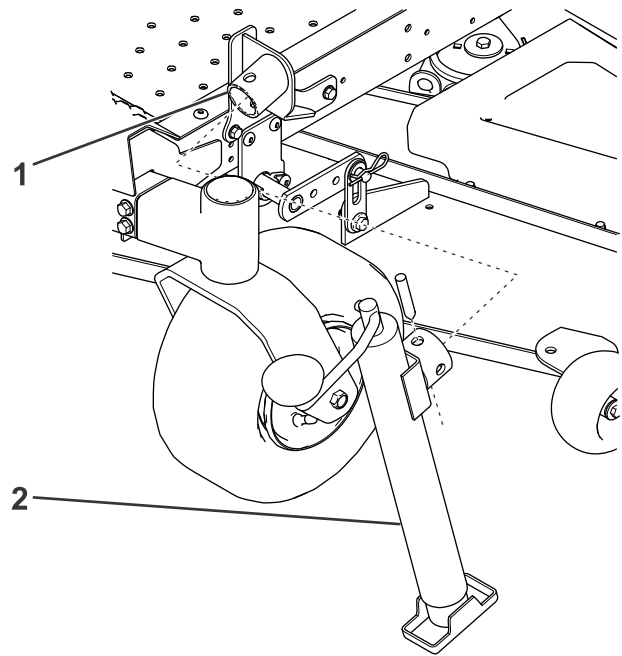
⚠ WARNING

The machine could fall onto someone and cause serious injury or death.

- Do not keep the machine raised on the jack for extended periods of time.
- Always use a jack on a level surface.
- Ensure that the jack is secured properly to the jack mount using a jack pin.
- Do not rely solely on the jack for support. Use adequate jack stands or equivalent support.
- Do not mount or dismount the mower while the jack is raised.
- Before each use, ensure that the jack and jack mount work properly and that there are no signs of damage.

Note: Use only a manufacturer-approved jack rated at 907 kg (2,000 lb) or higher lift capacity with the jack mount.

1. Park the machine on a level surface, disengage the blade-control switch, and move the motion-control levers outward to the PARK position.
2. Shut off the engine, remove the key, and wait for all moving parts to stop before leaving the operating position.
3. Attach the jack to the jack mount with a jack pin (Figure 2).



g307429

Figure 2

1. Jack mount

2. Jack

4. Use the jack to raise the machine to the desired height.

⚠ WARNING

Raising the machine could cause a fuel leak.

- Check for any fuel leaks before performing maintenance.
- If you see a fuel leak, immediately lower the machine and drain the fuel to eliminate the hazard.

5. Support the machine with jack stands; refer to the machine *Operator's Manual* for jack stand placement.
6. When finished, use the jack to lower the machine, then remove the jack.

Note: Do not operate the machine with the jack attached.