



# Floormat Kit

## TimeCutter® MyRide Riding Mower

Model No. 140-2061

### Installation Instructions

# Installation

## Loose Parts

Use the chart below to verify that all parts have been shipped.

Description	Qty.	Use
No parts required	–	Prepare the machine.
Floormat	1	Install the floormat.
Plastic plug	4	

## Preparing the Machine

1. Park the machine on a level surface.
2. Disengage the blade-control switch.
3. Engage the parking brake.
4. Move the motion-control levers outward to the NEUTRAL-LOCK position.
5. Shut off the engine and remove the key.



# Installing the Floormat

Secure the floormat to the platform using the 4 plastic plugs (Figure 1).

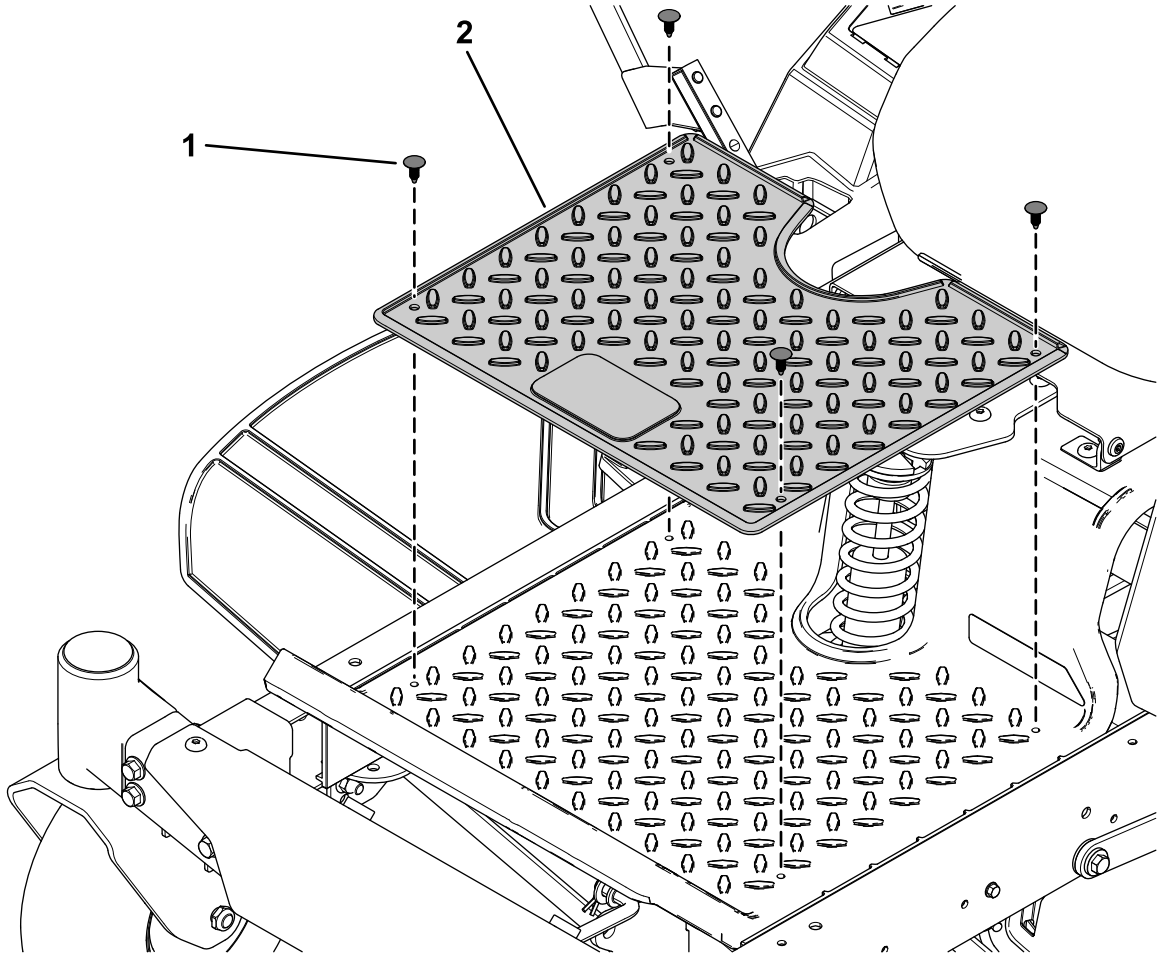


Figure 1

g307746

1. Plastic plug

2. Floormat