




Model No. 38310–200000001 and Up

Operator's
Manual

Power Shovel™


Important Safety Instructions

WARNING

To assure maximum safety, best performance, and to gain knowledge of the product, *it is essential that you or any other operator of the Power Shovel read and understand the contents of this manual before starting the motor.* Pay particular attention to the safety alert symbol  which means **CAUTION, WARNING, OR DANGER** — “personal safety instruction.” Read and understand the instruction because it has to do with safety. *Failure to comply with instruction may result in personal injury.*

IMPORTANT: Save these instructions for future reference

Before Operating

- Read and understand the contents of this manual before operating the *Power Shovel*. Become familiar with all controls, and know how to stop the *Power Shovel* quickly.
- Keep everyone, especially children and pets, away from the area of operation. Never allow children to operate the *Power Shovel*.
- Inspect the area thoroughly where you will use the *Power Shovel*. Remove doormats, sleds, boards, sticks, wire, and other foreign objects that the *Power Shovel* might pick up and throw. Never direct the discharge toward people.
- Keep all shields and safety devices in place. Repair or replace any illegible or damaged shield, safety device, or decal. Tighten any loose nuts, bolts, or screws.
- Wear adequate winter clothing and rubber boots to ensure secure footing on slippery surfaces. Do not wear loose-fitting clothing that can catch in moving parts.
- Use the *Power Shovel* on gravel or crushed rock surfaces only according to the instructions in *Operating* on page 6.
-  **WARNING**—To prevent electric shock, use only a UL-approved extension cord suitable for outdoor use in cold temperatures (16-gauge minimum). Promptly replace a damaged extension cord.

- To reduce the risk of electric shock, the *Power Shovel* has a polarized plug (one blade is wider than the other) (Fig. 6) that requires a polarized extension cord. The appliance plug fits into a polarized extension cord only one way. If the plug does not fit properly into the extension cord, reverse the plug. If the plug still does not fit, obtain a correct polarized extension cord. A polarized extension cord requires the use of a polarized wall outlet. This plug fits into the polarized wall outlet only one way. If the plug does not fit fully into the wall outlet, reverse the plug. If the plug still does not fit, contact a qualified electrician to install the proper wall outlet. Do not change the equipment plug, the extension cord receptacle, or the extension cord plug in any way.
- To prevent the *Power Shovel* cord from disconnecting from the extension cord during operation, tie the extension cord to the lower handle before connecting to the *Power Shovel* cord; refer to Figure 7.

While Operating

- Never operate the *Power Shovel* near people, pets, glass enclosures, automobiles, trucks, window wells, or a drop-off without properly adjusting the snow discharge angle; refer to *Operating Tips* on page 5.
- Avoid accidental starting. Do not insert the key until after plugging in the *Power Shovel*. Remove the key before carrying the *Power Shovel* when plugged in.
- If the *Power Shovel* cord is damaged, pull the extension cord from the wall receptacle and replace the cord.

- Do not abuse the power cord. Never carry the *Power Shovel* by the cord or pull sharply on the cord to disconnect it from the receptacle. Keep the cord away from heat, oil, and sharp edges.
- Operate the *Power Shovel* only when there is good visibility or light. Always maintain secure footing and balance and keep a firm grip on the handle. **Do not use the *Power Shovel* on a roof.**
- Be attentive when using the *Power Shovel*, and stay alert for holes in the terrain and other hidden hazards.
- **Stay away from the discharge opening while operating the *Power Shovel*.** Keep face, hands, feet, and any other part of your body or clothing away from concealed, moving, or rotating parts.
- Clear the snow from slopes by going up and down, never across the face. Use caution when changing directions. Never clear snow from steep slopes.
- Do not overload the *Power Shovel* by clearing snow at too fast a rate. Let the *Power Shovel* do the work.
- If the *Power Shovel* strikes a solid object or the *Power Shovel* vibrates abnormally, stop the *Power Shovel* and wait for all moving parts to stop. Disconnect the extension cord and check the *Power Shovel* immediately for possible damage, an obstruction, or loose parts. Vibration is generally a warning of trouble. Repair any damage before operating the *Power Shovel* again.
- If the *Power Shovel* will be left unattended, disconnect the cord from the receptacle and remove the key from the handle.

- Before adjusting, cleaning, repairing, or inspecting the *Power Shovel*, or before unclogging the discharge chute, stop the *Power Shovel* and wait for all moving parts to stop. Disconnect the cord from the receptacle to prevent accidental starting.
- Let the *Power Shovel* run for a few minutes after clearing the snow so moving parts do not freeze.

Maintaining the Power Shovel

- Perform only those maintenance instructions described in this manual. Disconnect the cord from the receptacle before performing the maintenance procedures to prevent someone from accidentally starting the motor. If major repairs are needed, contact your local Authorized Service Dealer or the Toro Service Center for assistance.
- Keep the *Power Shovel* in safe operating condition by keeping nuts, bolts, and screws tight. Check all fasteners frequently to ensure they are tight.
- Store the *Power Shovel* indoors when not in use in a dry, locked-up place out of reach of children. Disconnect the extension cord from the *Power Shovel* before storing. Remove the key from the handle.
- At the time of manufacture, the *Power Shovel* conformed to and exceeded safety standards in effect for electric snow movers. Therefore, to ensure the best performance and safety, purchase only genuine Toro replacement parts and accessories. Never use “will fit” replacement parts and accessories.
- This product is intended for residential household use only.



Safety Decals

Safety and instruction decals are easily visible to the operator and are located near any area of potential danger. Replace any decal that is damaged or lost.

**TO OPERATE
INSERT KEY
DEPRESS
BAR**

On Rear of Control Grip
(Part No. 38-8340)

! DANGER

AVOID INJURY! FROM ROTOR / IMPELLER.
KEEP HANDS, FEET AND CLOTHING AWAY FROM DISCHARGE AREA.
DO NOT STEP IN FRONT OF MACHINE, OR USE HANDS TO UNCLOG CHUTE.
STOP MOTOR AND UNPLUG CORD BEFORE UNCLOGGING SNOW OR DEBRIS.
DO NOT DIRECT DISCHARGE AT OTHERS. USE FOR SNOW REMOVAL ONLY.
TO PREVENT ELECTRIC SHOCK. REPLACE DAMAGED CORD IMMEDIATELY.

On Housing



Read operator's manual for operating and safety instructions. Replacement manual available by sending model and serial numbers to the TORO CO. 8111 Lyndale Av. S., Mpls. MN 55420



LISTED SNOW
MOVER 546X

TORO MODEL 38310
115 VAC 60 HZ 6.6 AMP.

DOUBLE INSULATED --- When servicing, use only identical replacement parts.

Assembly

CAUTION

POTENTIAL HAZARD

- Internal wiring could be damaged during shipping or assembly.

WHAT CAN HAPPEN

- Damaged wiring could cause serious personal injury when operating the snowthrower.

HOW TO AVOID THE HAZARD

- Use care so electrical wiring will not be damaged during assembly.
- If wiring is damaged, do not assemble the snowthrower. Contact your Authorized Service Dealer.

4. Secure the upper and lower tubes by inserting the countersunk nut and the slotted screw (supplied in loose parts bag) through the aligned holes in the tubing (Fig. 3).

Assembling the Upper and Lower Tubes

1. Remove the shipping wire secured to the upper and lower tube sections (Fig.1).
2. Slide the adjustable handle onto the lower tube (Fig. 2).
3. Slide the lower tube into the upper tube until the screw holes line up (Fig. 3).

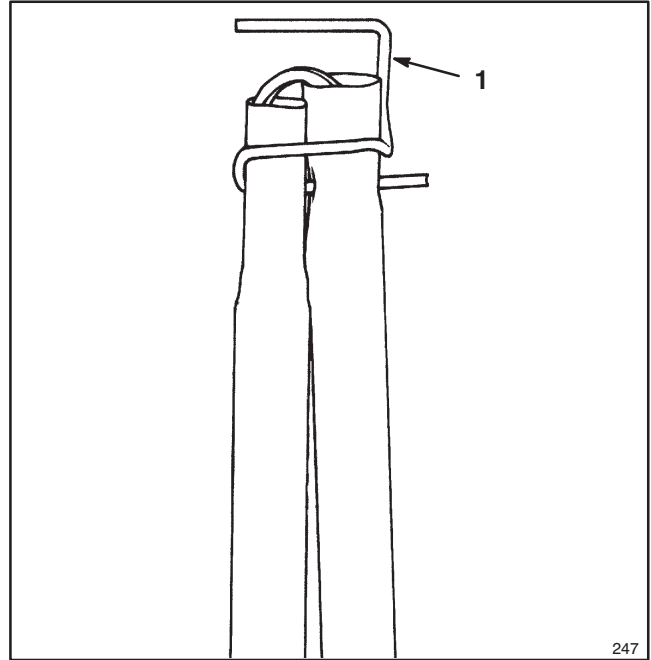


Figure 1

1. Shipping wire

247

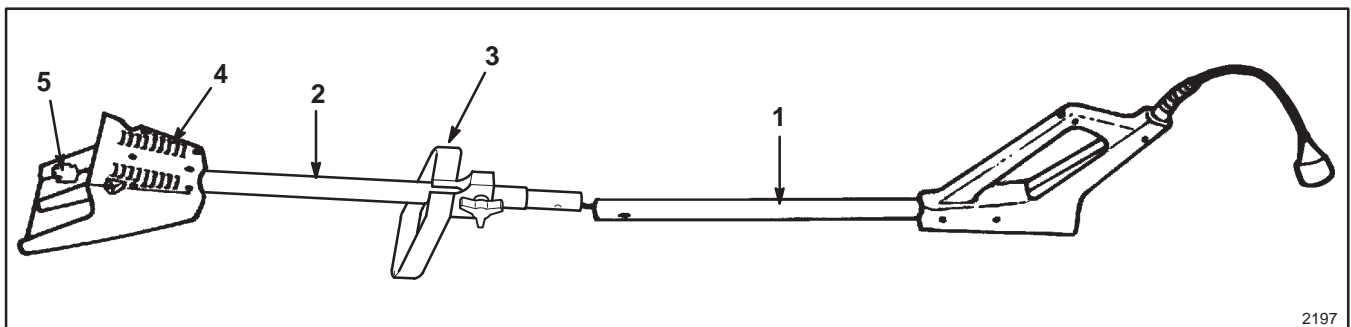


Figure 2

1. Upper tube
2. Lower tube
3. Adjustable handle
4. Handle support
5. Wire harness

2197

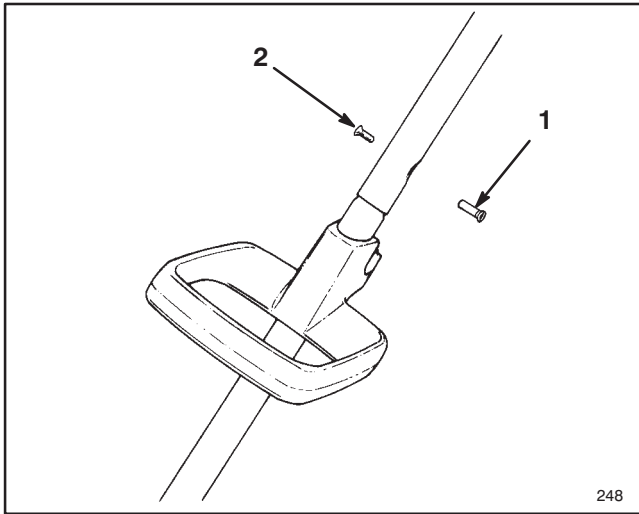


Figure 3

1. Countersunk nut 2. Slotted screw

Note: If the internal wiring blocks the hole, gently move the wiring to one side using the shipping wire. (Discard the shipping wire after completing the assembly.)

5. Loosely secure the adjustable handle to the tube with the carriage bolt and knob (supplied in loose parts bag) as shown in Figure 4.

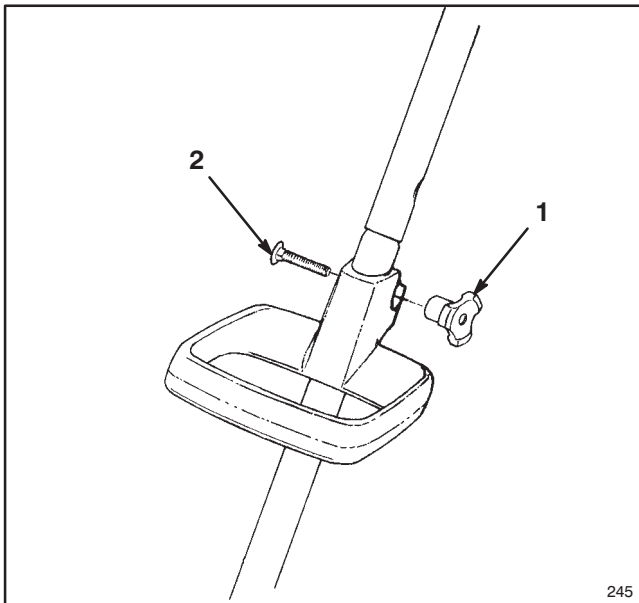


Figure 4

1. Carriage bolt 2. Knob

6. Move the adjustable handle to the desired operating position by sliding the handle to the desired height and tightening the knob.

Attaching the Power Head

1. Position the power head and the handle support as shown in Figure 5A.

2. Pull the power head connector out of the motor housing hole.

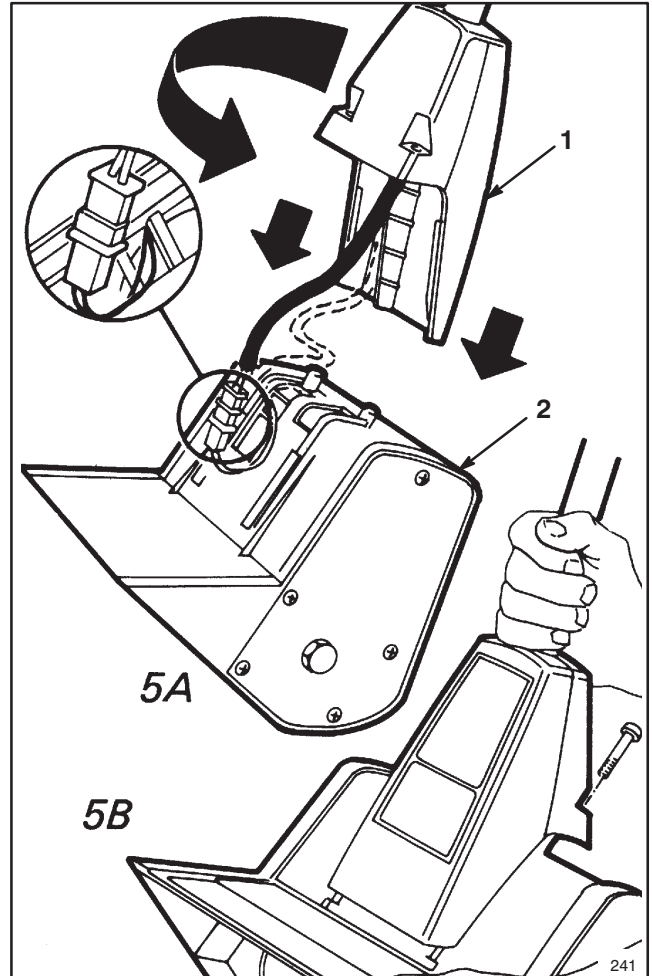


Figure 5

1. Handle support 2. Power head

3. Assemble the power head connector and the handle connector by sliding the connectors together (Fig. 5A) until they snap.

Note: There is only one way to fit the connectors together.

4. Push the connectors into the motor housing hole.

5. Make sure the handle support is positioned as shown in Figure 5B (the Toro *Power Shovel* decal should be facing up). Slide the handle support over the power head. Make sure the grooves in the handle support and power head are interlocked (Fig. 5B).

IMPORTANT: If the handle support does not slide completely into position, check the electrical wiring and connectors to ensure they are inside the motor housing hole and not interfering with the assembly.

6. Insert a 1/4-in. x 1-in. Phillips head screw (supplied in loose parts bag) through the hole in the rear of the handle support (Fig. 5B) and screw securely into the motor housing. Repeat with the second screw.

Operation

Preparing the Snowthrower

For safe and efficient use of your *Power Shovel*, use only a UL-listed extension cord recommended for outdoor use. Refer to the *Extension Cord Chart* below.

Extension Cord Chart		
If length of extension cord is less than or equal to:	100 ft.	150 ft.
Assure wire size gauge (A.W.G.) in cord is:	16	14

Note: Do not use an extension cord over 150 feet long.

WARNING

POTENTIAL HAZARD

- Contact with water while operating the *Power Shovel* could cause electric shock.

WHAT CAN HAPPEN

- Electric shock can cause injury or death.

HOW TO AVOID THE HAZARD

- Don't handle the plug or the appliance with wet hands or while standing in water.
- Use only a UL-listed extension cord recommended for outdoor cold weather use. Refer to *Extension Cord Chart* on page 5.

Your *Power Shovel* has a polarized plug. This means one prong in the *Power Shovel* cord is larger than the other (Fig. 6). When inserting the end of a suitable extension cord into the *Power Shovel* cord, be sure to insert the enlarged prong into the wide slot in the extension cord end. See the *Safety Instructions* for additional information.

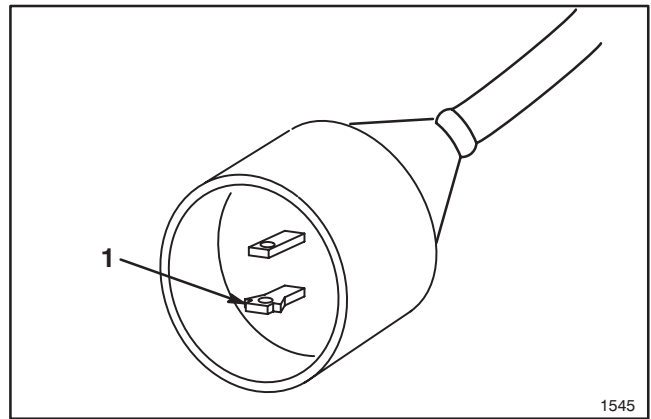


Figure 6

1. Enlarged prong

1. Tie the extension cord to the lower handle of the control grip (Fig. 7) before connecting it to the *Power Shovel* cord. This helps prevent the cords from separating during operation.

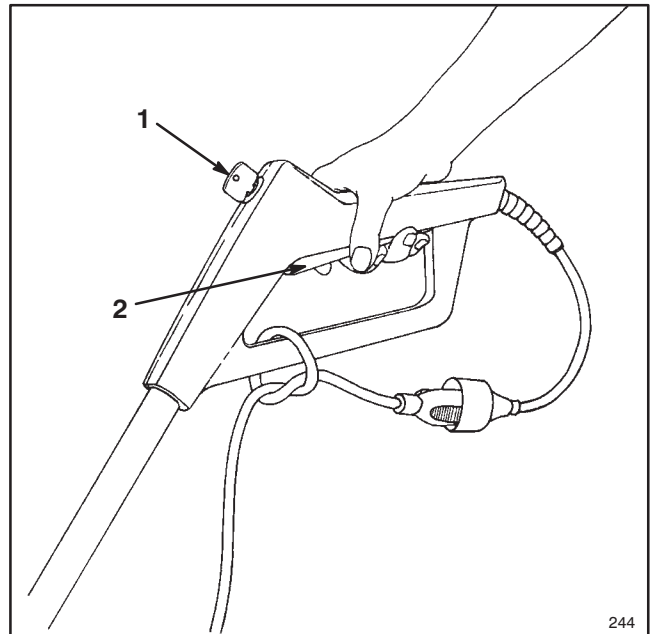


Figure 7

1. Key

2. Switch Bar

2. Plug the extension cord into a wall outlet and insert the key into the hole located on the front side of the control grip (Fig. 7).
3. Keep the area to be cleared free of stones, toys, or other foreign objects which the rotor blades may pick up and throw. Such items could be covered by snowfall and remain unnoticed. Always keep children and pets away from the area of operation.

Starting and Stopping

To start the *Power Shovel*, install the key and squeeze the switch bar. To stop, release the switch bar (Fig. 7).

Operating Tips

- Start the *Power Shovel* and tilt it forward until the scraper blade contacts the ground. Push the *Power Shovel* forward at a rate of speed comfortable for the operator yet slow enough to clear path completely. The width and depth of the snow may determine the speed of travel.
- Direct the snow to the right or the left by holding the *Power Shovel* at a slight angle (Fig. 8).

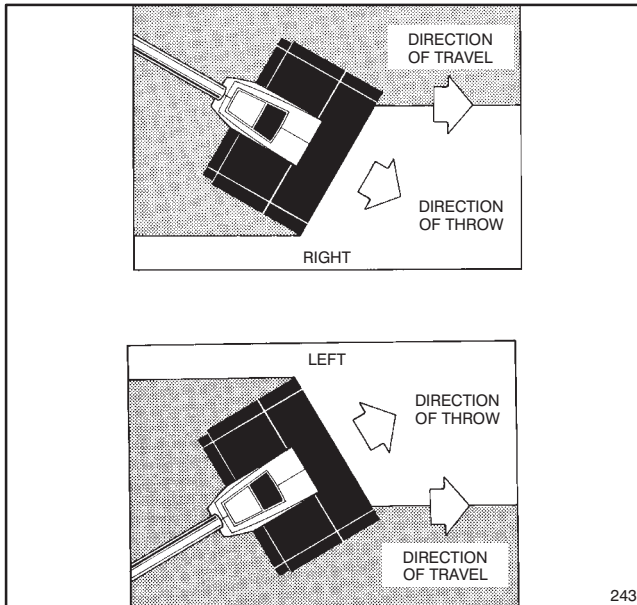


Figure 8

- For the most efficient snow removal, throw the snow downwind, and slightly overlap each swath.
- If you need to clear snow from crushed rock or gravel, push down on the handle to raise the scraper clear of loose material that the rotor blades could throw.
- The *Power Shovel* can remove snow up to four inches deep in one pass. When clearing deeper drifts, hold the *Power Shovel* by the upper and lower handles and use a swinging or sweeping motion. Remove a maximum of four inches with each pass and repeat as many times as required.
- Keep the cord clear of obstructions, sharp objects, and rotor. Do not pull sharply on the cord or abuse it in any manner. Frequently inspect the cord for damage. If it is damaged, replace the cord.

- Remove the key and disconnect the extension cord after using the *Power Shovel*. Hang the *Power Shovel* on a nail from the hole in the rear of the control grip. Hang the extension cord with the *Power Shovel* so it will not be misplaced or possibly damaged.

Maintenance

WARNING

POTENTIAL HAZARD

- If the extension cord is plugged into snowthrower and the key is in the handle, someone could accidentally operate snowthrower while you are performing maintenance on it.

WHAT CAN HAPPEN

- Operating the snowthrower while performing maintenance on it can cause serious personal injury.

HOW TO AVOID THE HAZARD

- Disconnect the extension cord before you perform any maintenance. Remove the key from the handle.

Lubricating the Power Shovel

The *Power Shovel* does not need lubrication; all bearings are lubricated at the factory for the life of the product.

Preparing the Power Shovel for Storage

1. Examine the *Power Shovel* thoroughly for worn, loose, or damaged parts. If parts repair or replacement is necessary, contact your local Authorized Service Dealer for assistance.
2. Examine the extension cord thoroughly for signs of excess wear or damage. If it is worn or damaged, replace the extension cord.
3. Disconnect the extension cord from the *Power Shovel* before storing. Remove the key from the handle.
4. Store the *Power Shovel* in a clean, dry, locked-up place out of the reach of children and cover it to provide protection.

Toro Service Support

If your unit requires service or maintenance, your nearest Toro Master Service Dealer is the best dealer to assist you. Refer to the “Yellow Pages” of your local telephone directory in the section titled “Lawn Mowers.” Toro Master Service Dealers are listed under the Toro trademark. If you need help locating a Toro Master Service Dealer near you, call 1-800-421-9684 for assistance.

Product Identification

A model and serial number decal is located on the lower tube. Always refer to specific numbers on the decal in correspondence or when you need replacement parts.

The Toro Promise

A Full Two Year Residential Use Warranty

The Toro Company warrants this TORO Product for two years against defects in material or workmanship. To receive a replacement or repair, at Toro's option, just return the complete unit, postage prepaid, to the seller or any TORO Electric Service Dealer or the TORO Service Center, 5300 Shoreline Blvd., Mound, MN 55364, along with proof of purchase. This warranty covers product defects only. It does not cover incidental or consequential damages. Some states do not allow the exclusion or limitation of incidental or consequential damages, so the above limitation may not apply to you. This warranty gives you specific rights, and you may have other rights which vary from state to state. If all other remedies fail, you may contact us at The Toro Company, Customer Service Department, 8111 Lyndale Ave S, Bloomington, MN, 55420-1196. (Do not return defective product to this address.)

COUNTRIES OTHER THAN THE UNITED STATES, CANADA OR MEXICO

Customers who have purchased TORO products exported from the United States or Canada should contact their TORO Distributor (Dealer) to obtain guarantee policies for your country, province, or state. If for any reason you are dissatisfied with your Distributor's service or have difficulty obtaining guarantee information, contact the TORO importer. If all other remedies fail, you may contact us at The Toro Company.