



Count on it.

Parts Catalog

22in Recycler®

Lawn Mower

Model No. 20374—Serial No. 405666485 and Up



Ordering Replacement Parts

To order replacement parts, please supply the part number, the quantity, and the description of each part desired.

Understanding Reference Numbers

Each identified part in an illustration has a reference number. The reference number for a part also appears in the parts list, along with other information about the part.

This catalog uses two special reference number formats, one to indicate parts in a service assembly and another to indicate the quantity of a given part in an illustration.

Service Assembly Reference Numbers

Parts in service assemblies have reference numbers in the form a:b. The a represents the reference number of the entire service assembly and the b represents a sequential number unique to each part within the service assembly.

For example, a wheel assembly might be identified by reference number 6, the tire by 6:1, the valve by 6:2, and the wheel by 6:3. When you order the assembly identified by reference number 6, you receive all parts identified by reference numbers 6:1, 6:2, and 6:3. However, you may also order any part individually. Reference numbers of this type appear in illustration and in parts lists.

Reference Numbers Indicating Quantity

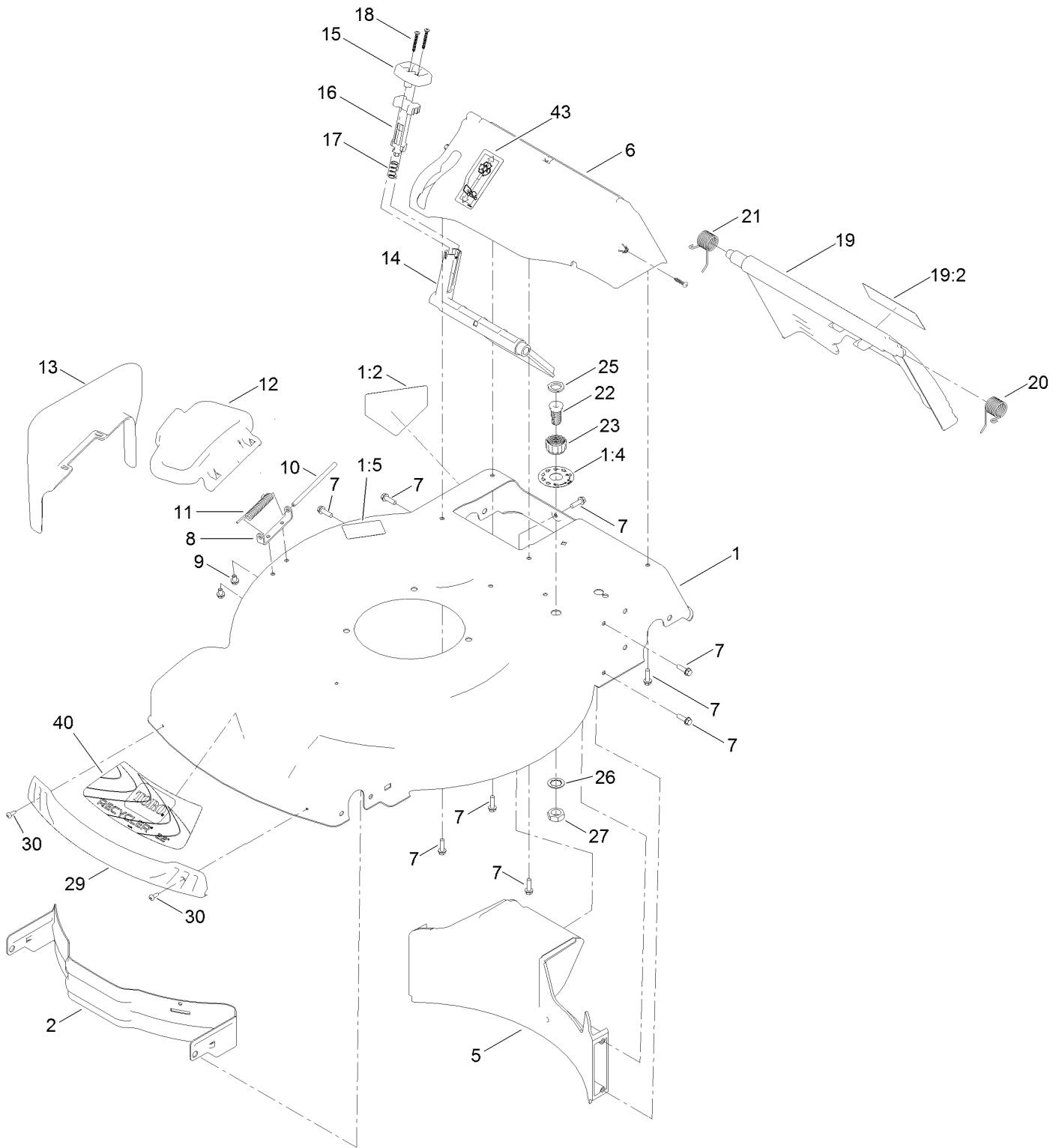
In an illustration, if a reference number indicates more than one part, the reference number has the form nX y. The n represents the quantity of the part, the X is the multiplication symbol, and the y represents the reference number.

For example, in an illustration, the reference number 2X 37 means that two of the parts identified by reference number 37 are indicated.

Contents

Housing and Baffle Assembly	4
Rear Bag Assembly	6
Engine and Blade Assembly	8
Fuel System Assembly	10
Air Intake and Filtration Assembly	12
Ignition and Electrical Assembly	14
Crankcase Assembly	16
Governor Assembly	18
Piston and Cylinder Head Assembly	20
Blower Housing Assembly	22
Front Wheel and Height-of-Cut Assembly	24
Transmission and Rear Wheel Assembly	26
Handle Assembly	28
Electrical Assembly	30
Attachments and Accessories	32

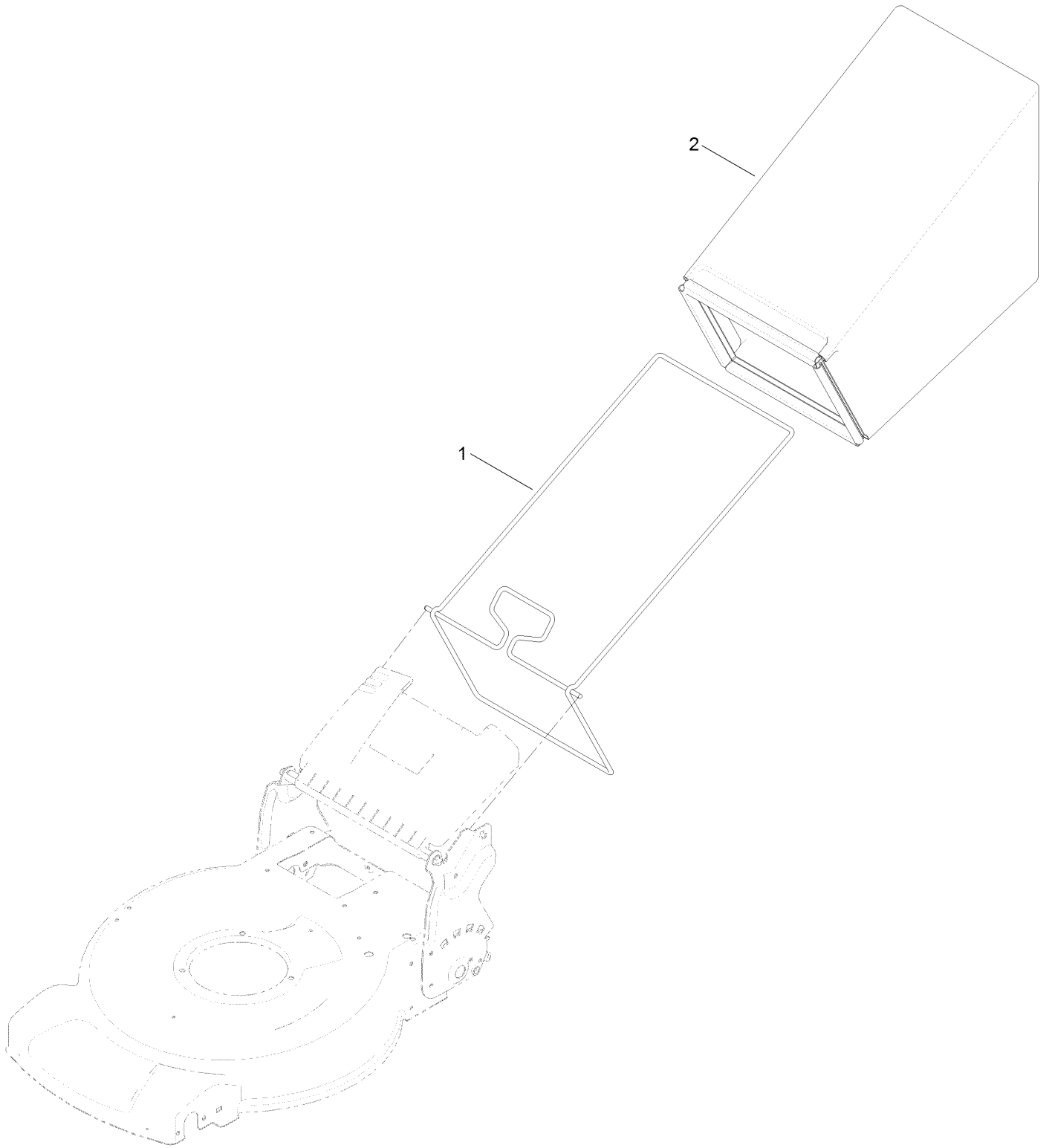
Housing and Baffle Assembly



Housing and Baffle Assembly (continued)

<i>Ref.</i>	<i>Part Number</i>	<i>Qty.</i>	<i>Description</i>	<i>Ref.</i>	<i>Part Number</i>	<i>Qty.</i>	<i>Description</i>
1	130-2389	1	Housing ASM	17	117-1031	1	Spring-Compression
1:2	94-8072	1	Decal-Danger	18	32104-120	2	Screw-PPH
1:4	137-9196	1	Decal-Quick Wash	19	137-9139	1	Rear Door ASM
1:5	125-5092	1	Decal-Placement, Foot	19:2	131-4514	1	Decal-Warning
2	114-7963-01	1	Baffle-Front	20	115-2859	1	Spring-Torsion
5	139-8982	1	Baffle-Rear	21	114-7924	1	Spring-Torsion
6	136-5881	1	Chute-Recycle	22	112-6400	1	Port-Washout
7	46-8091	9	Screw-HWH	23	112-6401	1	Coupling-Hose, Washout Port
8	112-6416	1	Bracket-Cover	25	112-6438	1	Washer-Seal, Washout Port
9	99-8445	2	Screw-HWH	26	3254-5	1	Washer-Lock
10	99-5291	1	Rod-Cover	27	3218-6	1	Nut-Jam
11	99-5293	1	Spring-Torsion	29	114-7987	1	Bumper
12	115-8449	1	Deflector-Side	30	105-6849	2	Screw-Forming, Thread
13	115-8447	1	Chute-Discharge, Side	40	115-4676	1	Decal-Recycler
14	114-7960	1	Deflector-Recycle	43	125-5026	1	Decal
15	114-7958	1	Knob-Recycle				
16	114-7959	1	Latch-Recycle				

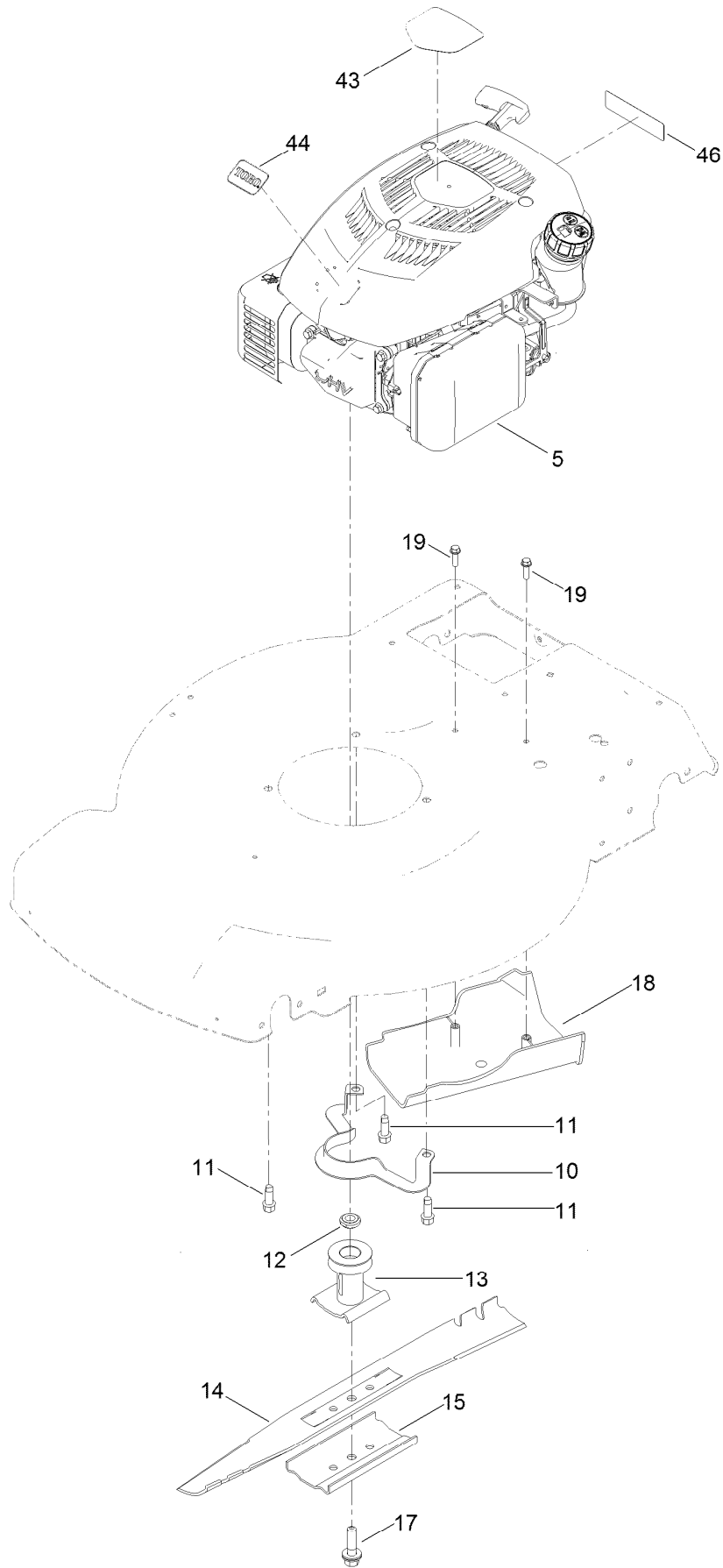
Rear Bag Assembly



Rear Bag Assembly (continued)

<i>Ref.</i>	<i>Part Number</i>	<i>Qty.</i>	<i>Description</i>
1	132-4529-03	1	Bag Frame ASM
2	115-4673	1	Grass Bag ASM

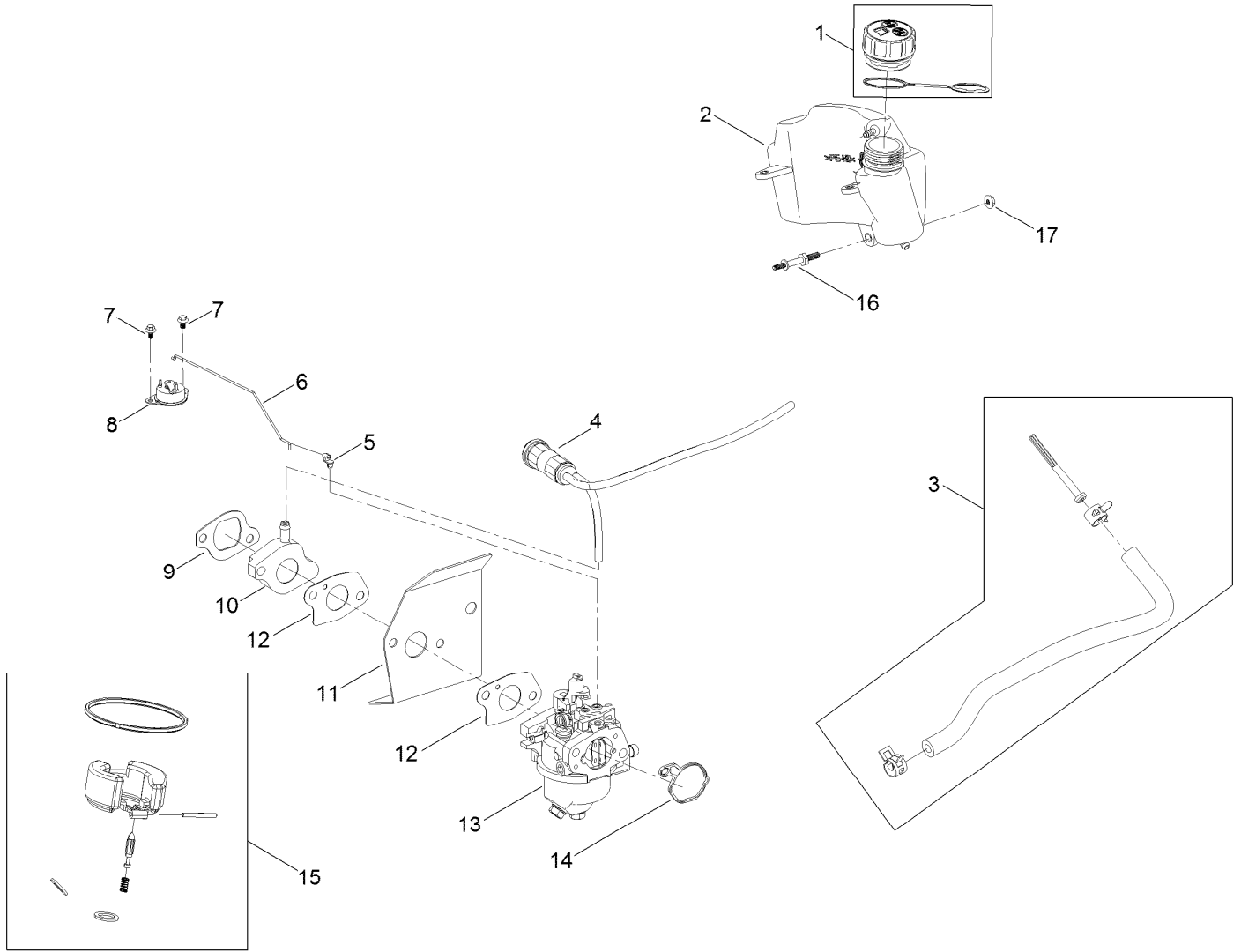
Engine and Blade Assembly



Engine and Blade Assembly (continued)

<i>Ref.</i>	<i>Part Number</i>	<i>Qty.</i>	<i>Description</i>	<i>Ref.</i>	<i>Part Number</i>	<i>Qty.</i>	<i>Description</i>
5	136-7856	1	Engine-1P65F-2	17	125-2466	1	Bolt-Blade
10	105-3030-03	1	Guide-Belt	18	114-7937	1	Cover-Belt
11	95-1726	3	Screw-Taptite	19	46-8091	2	Screw-HWH
12	106-3999	1	Spacer-Driver	43	136-9054	1	Decal-Shroud
13	106-3987	1	Driver-Blade	44	136-5863	1	Decal
14	131-4547-03	1	Blade-22 Inch	46	133-8062	1	Decal-Arrestor, Spark
15	108-3766-03	1	Support-Blade				

Fuel System Assembly

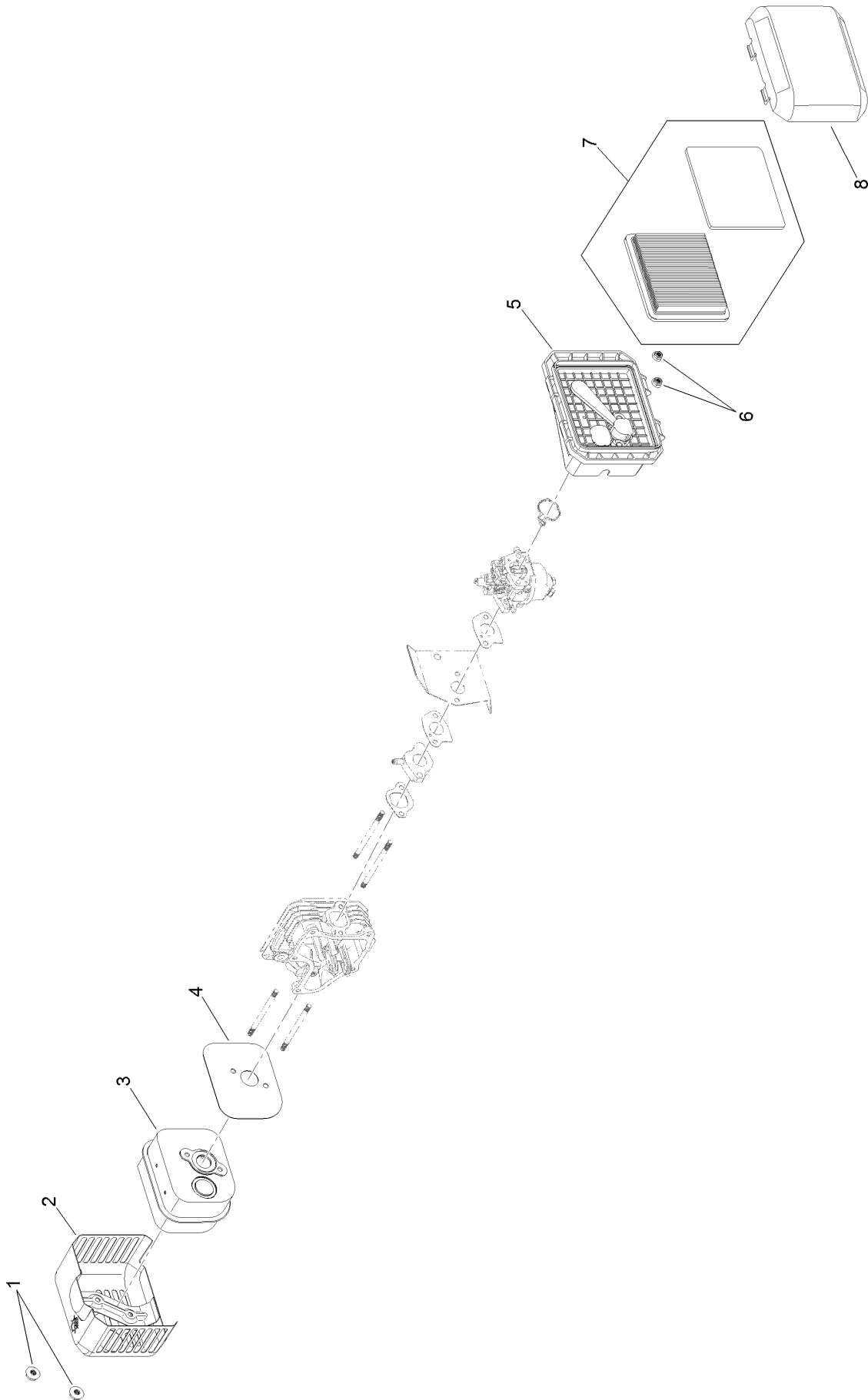


Fuel System Assembly (continued)

<i>Ref.</i>	<i>Part Number</i>	<i>Qty.</i>	<i>Description</i>	<i>Ref.</i>	<i>Part Number</i>	<i>Qty.</i>	<i>Description</i>
1	136-7875	1	Cap-Fuel, Sealed	10	133-9902	1	Spacer-Carburetor
2	139-0718	1	Tank-Fuel	11	133-9901	1	Insulator-Carburetor
3	121-4167	1	Fuel Line Kit	12	121-4184	2	Gasket-Carburetor
4	133-9874	1	Canister-Carbon, 19 Cc	13	133-9900	1	Carburetor
5	120-4451	1	Lock-Throttle	14	133-9899	1	Gasket-Carburetor
6	133-9909	1	Linkage-Choke, Thermal	15	127-9395	1	Internal Carb Service Kit
7	133-9908	2	Screw-HWHTF	16	121-0016	1	Bolt-Stud
8	133-9907	1	Control-Thermal	17	120-4236	1	Nut-Flange
9	121-4183	1	Gasket-Intake	99	133-9943	1	High Altitude Kit ●

● Not illustrated

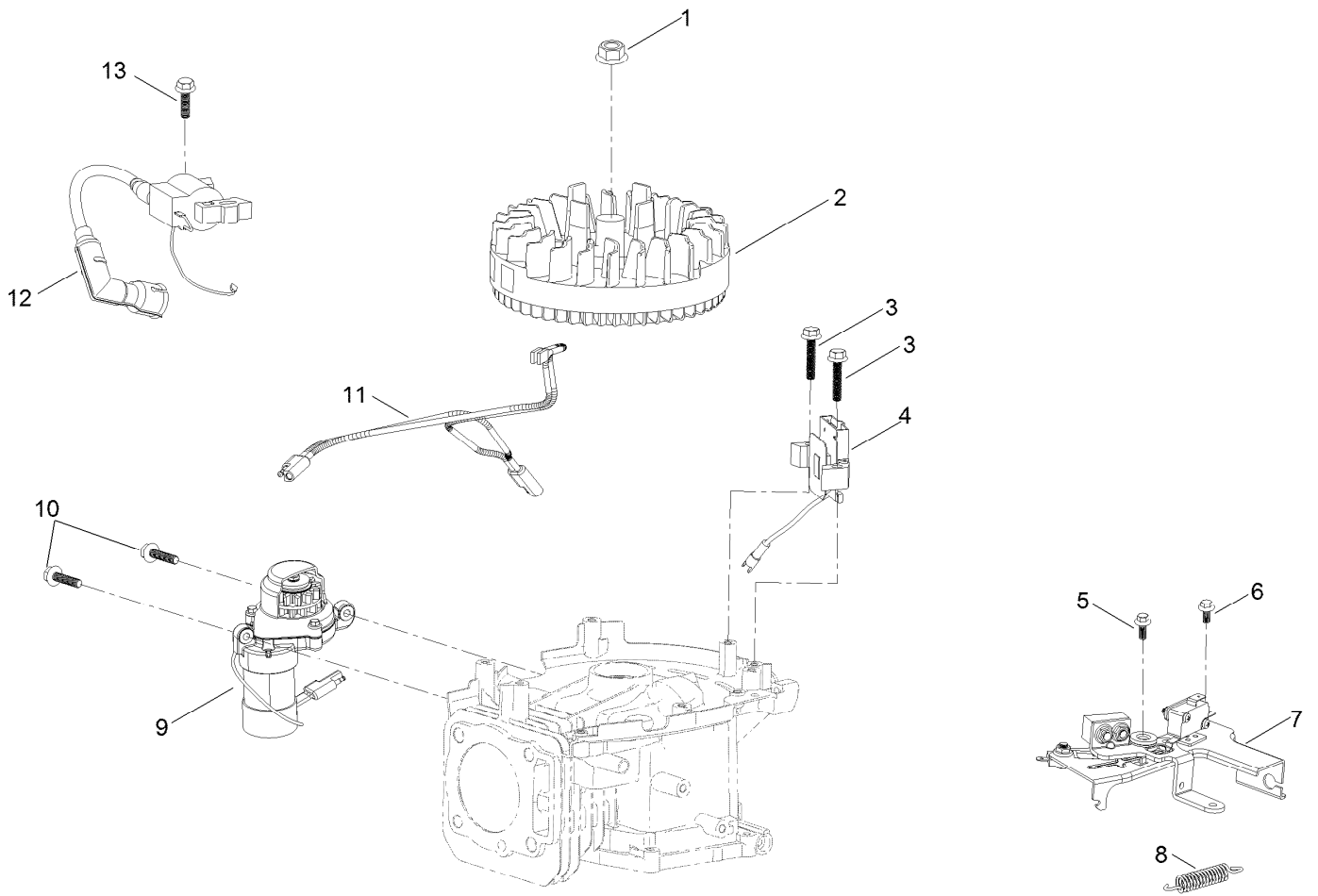
Air Intake and Filtration Assembly



Air Intake and Filtration Assembly (continued)

<i>Ref.</i>	<i>Part Number</i>	<i>Qty.</i>	<i>Description</i>	<i>Ref.</i>	<i>Part Number</i>	<i>Qty.</i>	<i>Description</i>
1	121-0010	2	Nut-Flange	5	133-9928	1	Air Cleaner Base
2	133-9906	1	Shield-Muffler	6	120-4236	2	Nut-Flange
3	121-0166	1	Muffler ASM	7	119-1909	1	Air Filter And Prefilter Kit
4	121-0034	1	Gasket-Exhaust	8	121-0364	1	Cover-Cleaner, Air

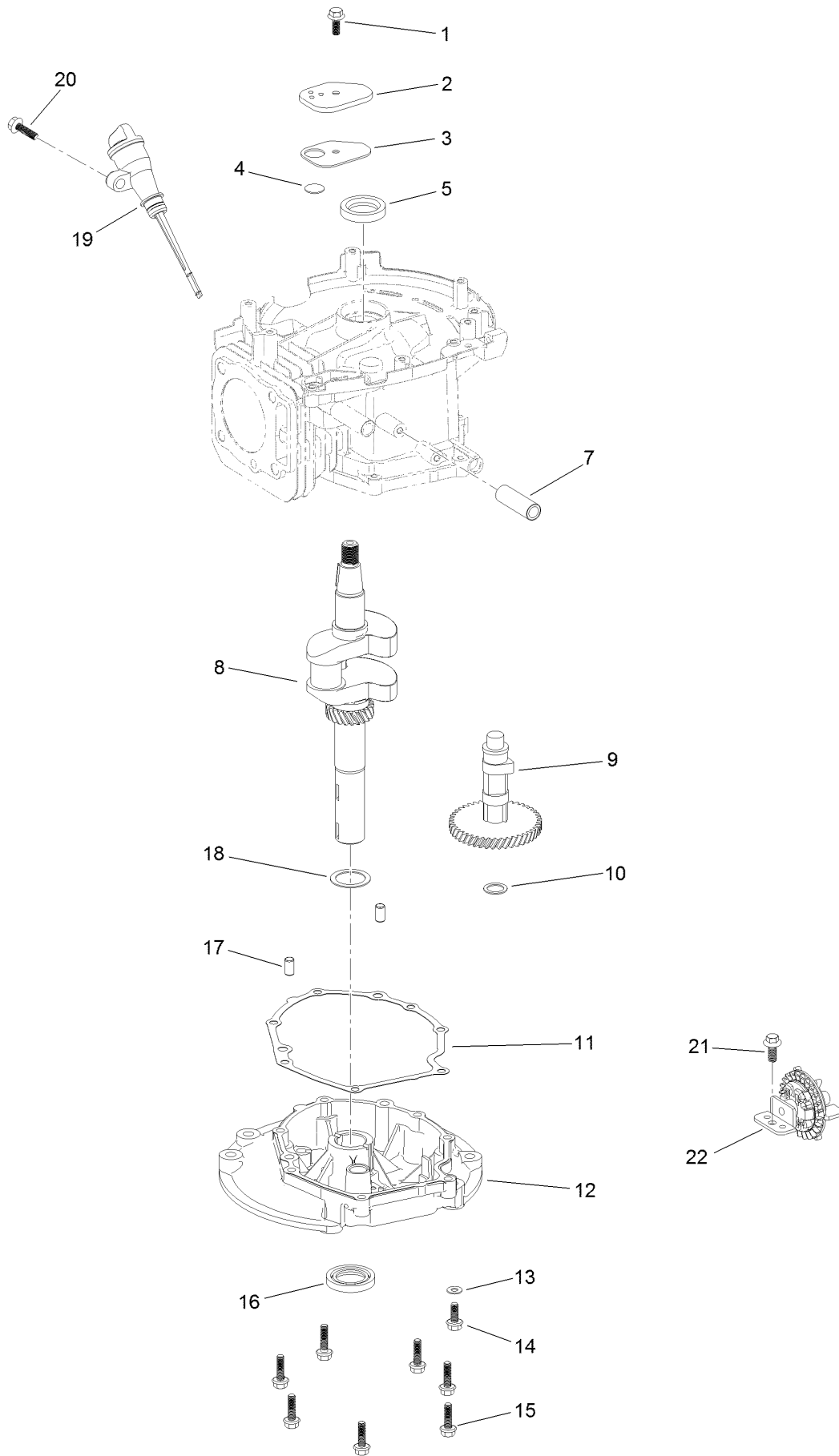
Ignition and Electrical Assembly



Ignition and Electrical Assembly (continued)

<i>Ref.</i>	<i>Part Number</i>	<i>Qty.</i>	<i>Description</i>	<i>Ref.</i>	<i>Part Number</i>	<i>Qty.</i>	<i>Description</i>
1	121-0047	1	Nut-Flange	8	133-9890	1	Spring-Brake
2	139-0619	1	Flywheel	9	139-0617	1	Motor-Starter
3	120-4223	2	Screw-HHF	10	120-4225	2	Screw-HHF
4	136-7861	1	Alternator	11	133-9921	1	Harness-Motor, Starter
5	121-0007	1	Bolt-Flange	12	136-7870	1	Ignition Coil ASM
6	120-4232	1	Screw-HHF	13	120-4225	1	Screw-HHF
7	136-7873	1	Brake ASM				

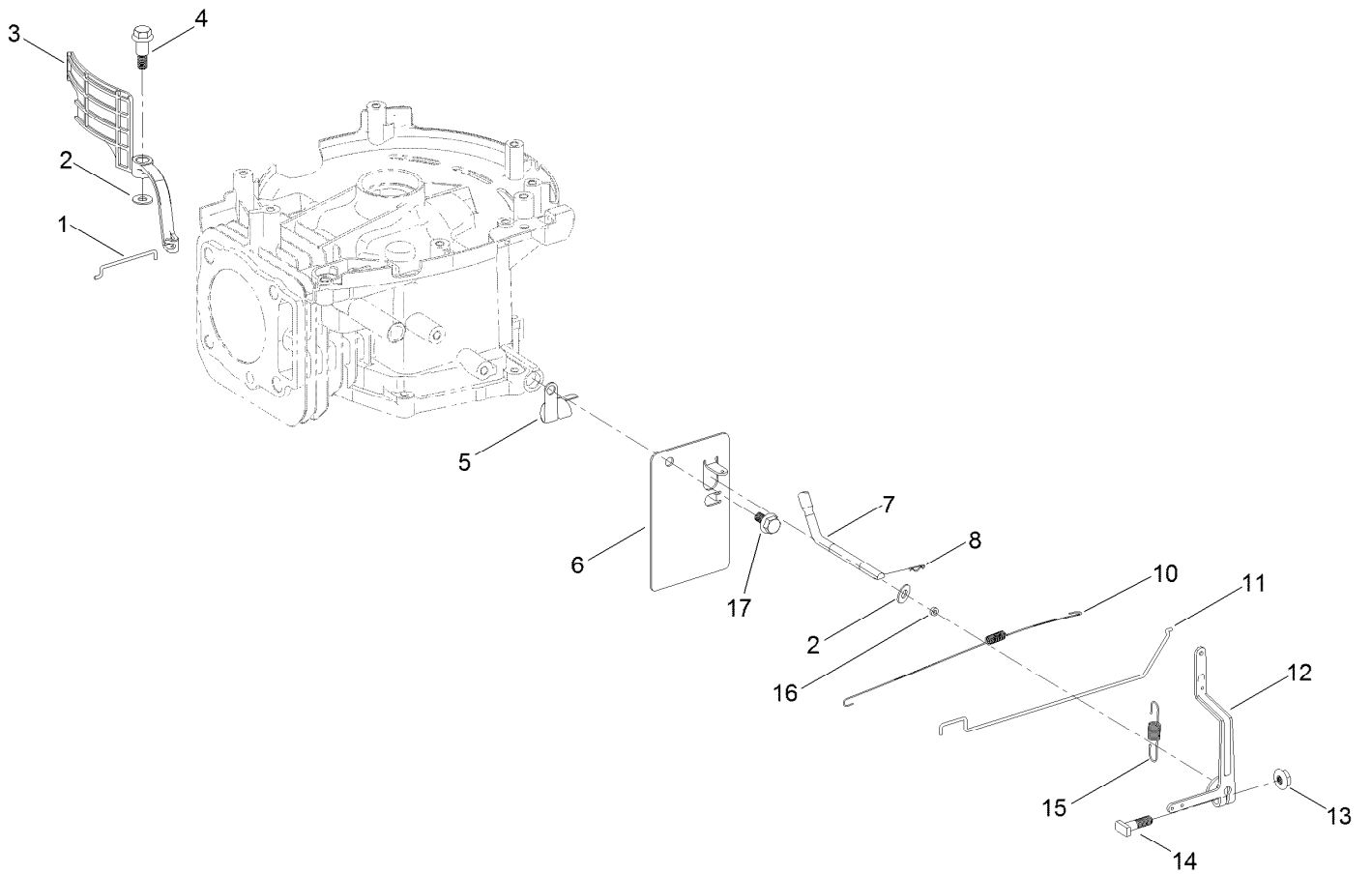
Crankcase Assembly



Crankcase Assembly (continued)

<i>Ref.</i>	<i>Part Number</i>	<i>Qty.</i>	<i>Description</i>	<i>Ref.</i>	<i>Part Number</i>	<i>Qty.</i>	<i>Description</i>
1	120-4216	1	Screw-HHF	13	121-0048	1	Washer-Plain
2	133-9882	1	Cover-Breather	14	121-0030	1	Screw-HHF
3	133-9883	1	Gasket-Cover, Breather	15	120-4223	7	Screw-HHF
4	133-9884	1	Valve-Breather	16	121-0022	1	Seal-Oil
5	121-0019	1	Seal-Oil	17	121-0054	2	Pin-Dowel
7	133-9911	1	Tube-Breather	18	136-7863	1	Washer-Flat
8	133-9894	1	Crankshaft ASM	19	133-9886	1	Dipstick And Fill Tube Kit
9	121-4174	1	Camshaft ASM	20	121-0007	1	Bolt-Flange
10	121-0051	1	Washer-Flat	21	121-0369	1	Screw-HWH, Thd Form
11	133-9895	1	Gasket-Cover, Case	22	136-7864	1	Governor Gear ASM
12	133-9897	1	Cover-Crankcase				

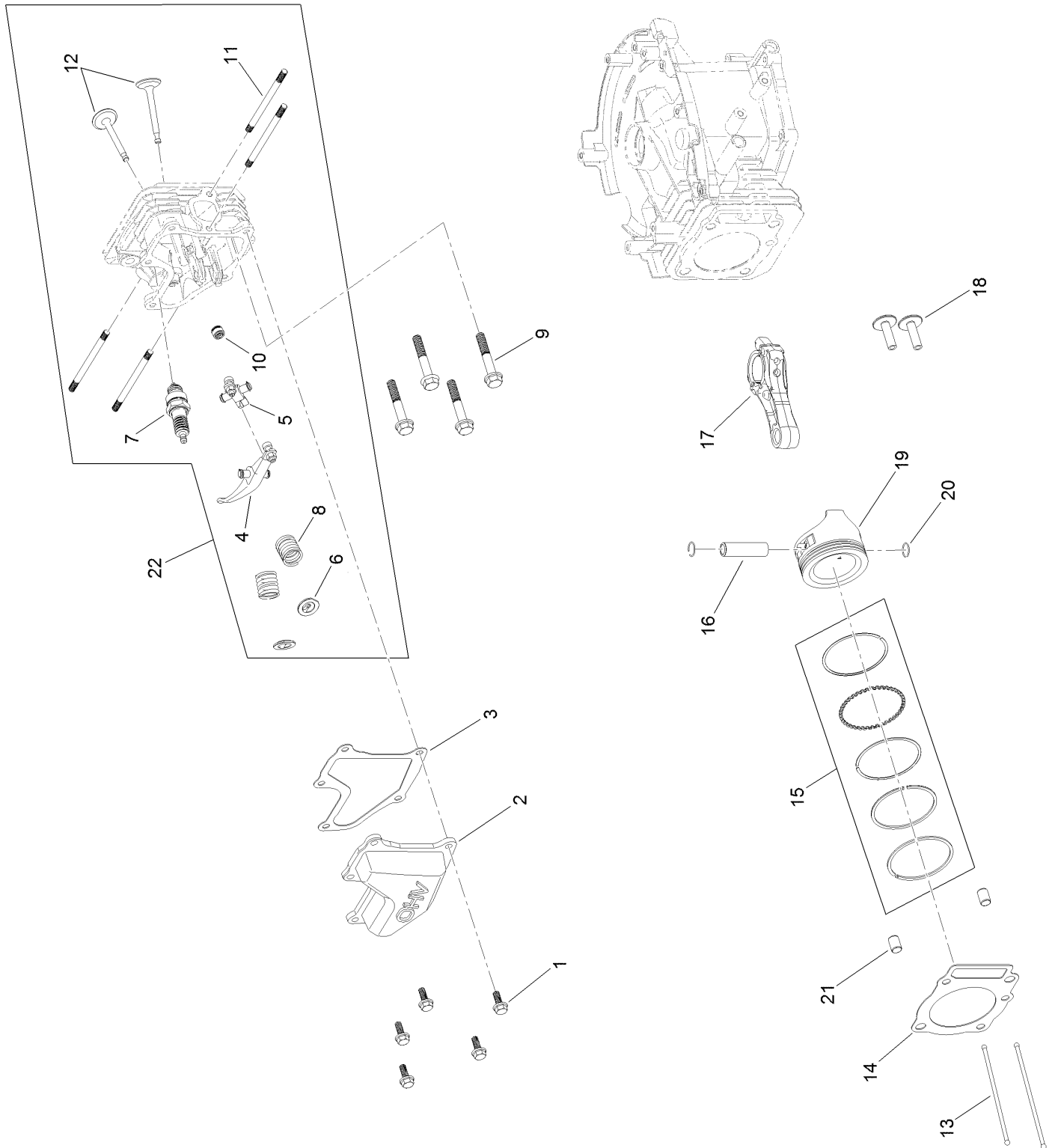
Governor Assembly



Governor Assembly (continued)

<i>Ref.</i>	<i>Part Number</i>	<i>Qty.</i>	<i>Description</i>	<i>Ref.</i>	<i>Part Number</i>	<i>Qty.</i>	<i>Description</i>
1	133-9880	1	Linkage-Choke	10	121-0023	1	Spring-Return, Throttle
2	136-7866	2	Washer-Flat	11	133-9892	1	Rod-Governor
3	133-9879	1	Air Vane-Autochoke	12	121-0028	1	Arm-Governor
4	127-9196	1	Screw-Shoulder, HWH	13	120-4236	1	Nut-Flange
5	121-0017	1	Clip-Harness, Wire	14	120-4238	1	Bolt-Arm, Governor
6	133-9891	1	Plate-Control, Throttle	15	133-9893	1	Spring-Governor
7	136-7865	1	Arm-Governor	16	121-0021	1	Seal-Oil
8	120-4256	1	Pin-Hair	17	120-4216	1	Screw-HHF

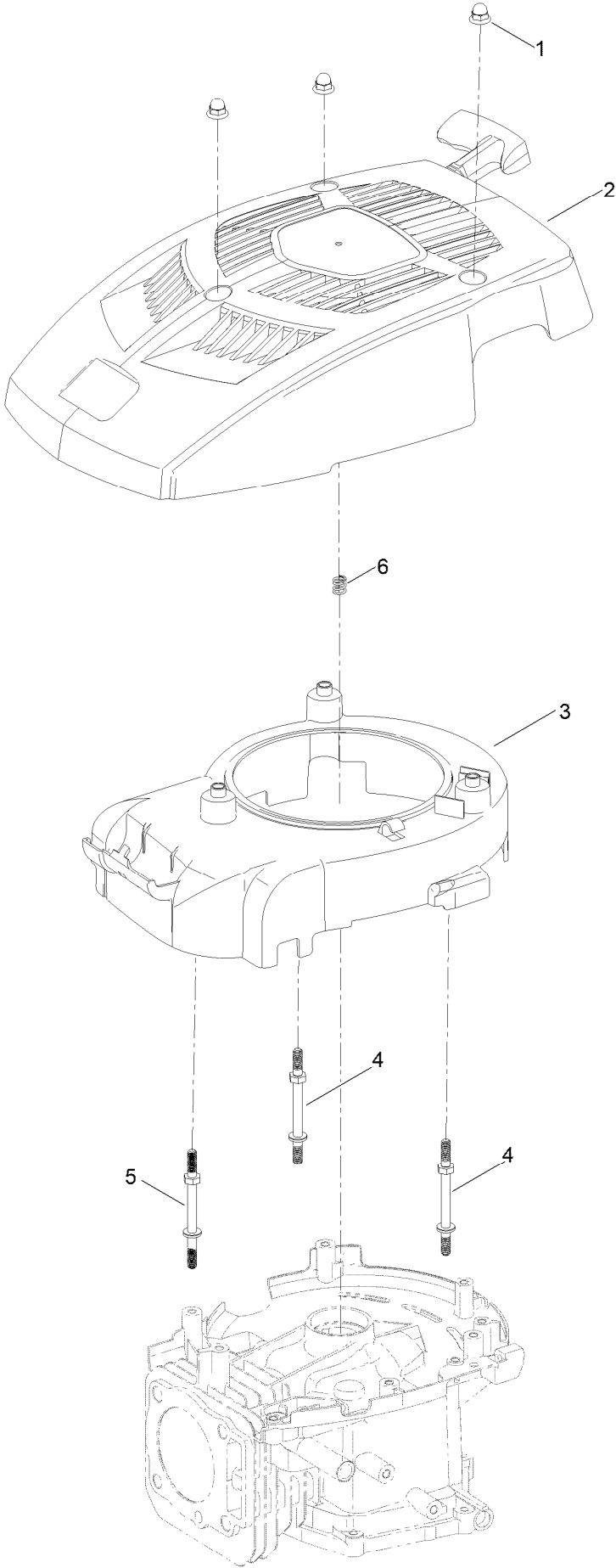
Piston and Cylinder Head Assembly



Piston and Cylinder Head Assembly (continued)

<i>Ref.</i>	<i>Part Number</i>	<i>Qty.</i>	<i>Description</i>	<i>Ref.</i>	<i>Part Number</i>	<i>Qty.</i>	<i>Description</i>
1	120-4232	5	Screw-HHF	12	121-4192	1	Valve Set
2	133-9905	1	Cover-Valve	13	121-4193	2	Rod-Push
3	133-9904	1	Gasket-Cover, Valve	14	133-9910	1	Gasket-Head
4	136-7868	1	Exhaust Rocker Arm ASM	15	121-4171	1	Piston Ring Set
5	136-7869	1	Intake Rocker Arm ASM	16	120-4467	1	Pin-Piston
6	120-4474	2	Retainer-Valve, Spring	17	120-4469	1	Connecting Rod ASM
7	121-0187	1	Spark Plug	18	120-4477	2	Tappet-Valve
8	120-4473	2	Spring-Valve	19	121-4173	1	Piston
9	121-0043	4	Bolt-Flange	20	121-0052	2	Clip-Pin, Wrist
10	121-4202	1	Seal-Stem, Valve	21	121-0053	2	Pin-Dowel
11	121-0045	4	Stud-Exhaust	22	136-7890	1	Complete Head ASM

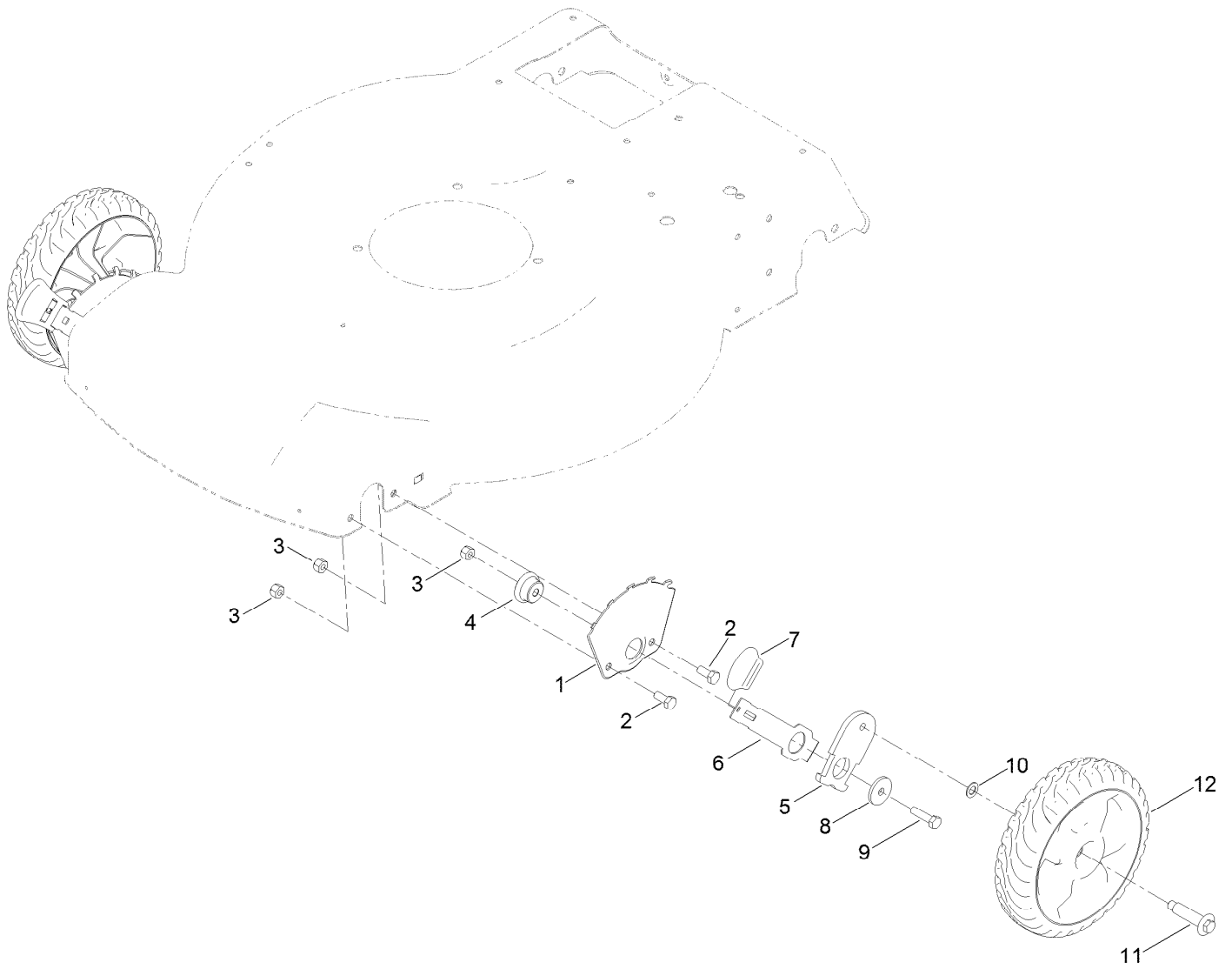
Blower Housing Assembly



Blower Housing Assembly (continued)

<i>Ref.</i>	<i>Part Number</i>	<i>Qty.</i>	<i>Description</i>	<i>Ref.</i>	<i>Part Number</i>	<i>Qty.</i>	<i>Description</i>
1	127-9115	3	Nut-Acorn	4	133-9877	2	Stud-Shroud
2	133-9857	1	Recoil Shroud ASM	5	133-9878	1	Stud-Shroud
2	133-9922	1	Recoil Shroud ASM	6	136-7770	1	Spring-Compression, Recoil
3	136-7867	1	Shroud-Fan				

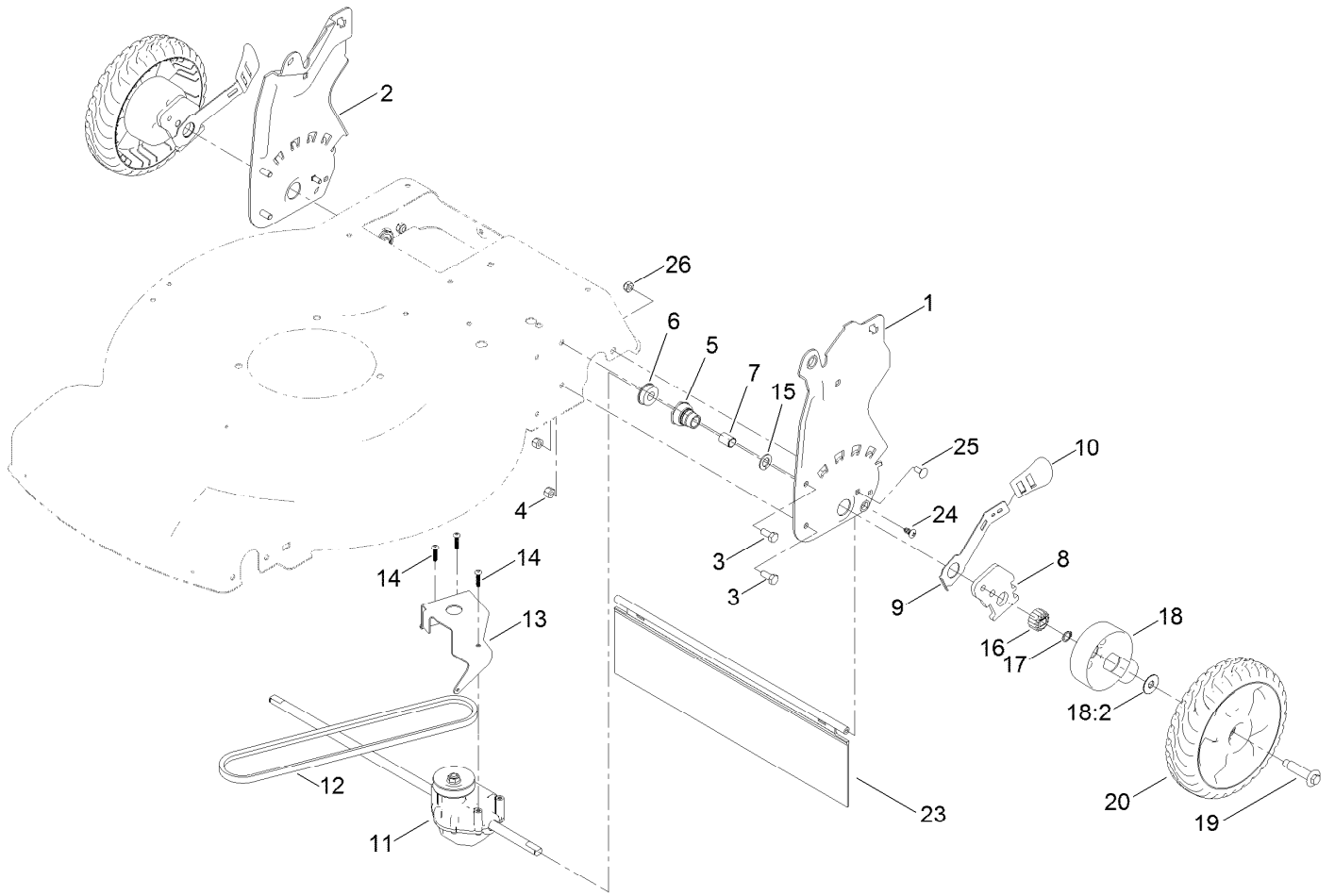
Front Wheel and Height-of-Cut Assembly



Front Wheel and Height-of-Cut Assembly (continued)

<i>Ref.</i>	<i>Part Number</i>	<i>Qty.</i>	<i>Description</i>	<i>Ref.</i>	<i>Part Number</i>	<i>Qty.</i>	<i>Description</i>
1	115-1956-03	2	Plate-HOC, Front	7	110-0549	2	Knob-HOC
2	322-3	4	Screw-HH	8	105-3048	2	Washer-Flat
3	3296-29	6	Nut-Lock, NI	9	322-6	2	Screw-HH
4	105-1818	2	Bushing-Mount, HOC	10	40-1940	2	Washer
5	137-9128	2	Arm-Pivot, Front	11	614650	2	Bolt-Shoulder
6	105-1809	2	Arm-Spring	12	137-4833	2	8In Wheel ASM

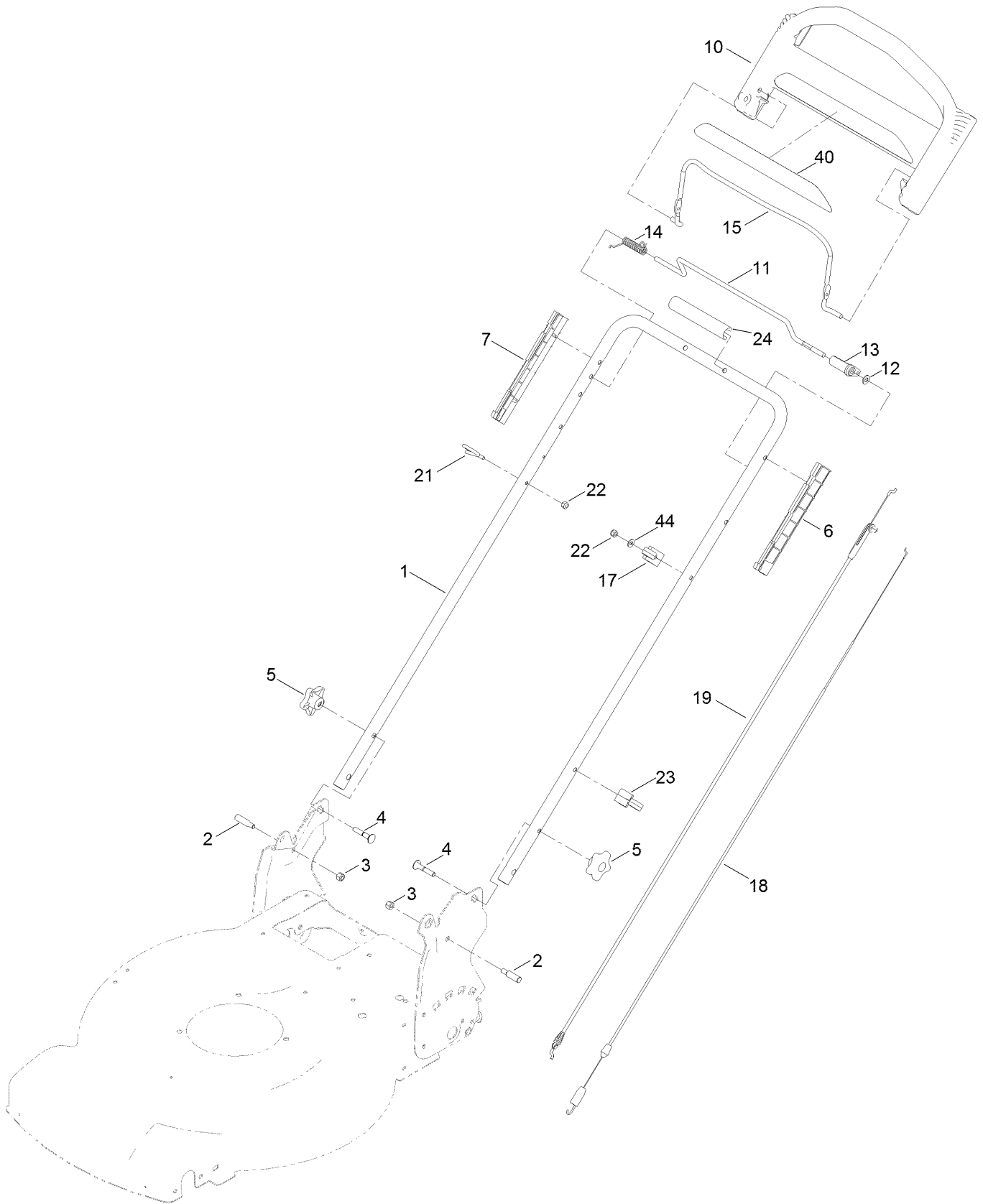
Transmission and Rear Wheel Assembly



Transmission and Rear Wheel Assembly (continued)

<i>Ref.</i>	<i>Part Number</i>	<i>Qty.</i>	<i>Description</i>	<i>Ref.</i>	<i>Part Number</i>	<i>Qty.</i>	<i>Description</i>
1	131-9693-03	1	Plate-HOC, LH	14	108-7476	3	Screw-Plastite
2	131-9694-03	1	Plate-HOC, RH	15	110-7191	2	Washer-Thrust
3	322-3	4	Screw-HH	16	131-5399	2	Gear-Pinion, 15T
4	3296-29	4	Nut-Lock, NI	17	32151-61	2	Ring-Retaining
5	108-9779	2	Retainer-Bushing, HOC	18	136-9059	2	Gear Cover ASM
6	104-8699	2	Bearing-Ball	18:2	614426	1	Washer-Stepped
7	108-9782	2	Bushing-Sleeve	19	614650	2	Bolt-Shoulder
8	136-9090	2	Arm-Pivot, Rear	20	137-4835	2	Wheel Gear ASM, 8In
9	108-9780	2	Arm-Spring	23	139-6604	1	Shield-Trailing
10	110-0549	2	Knob-HOC	24	117-1092	2	Screw-PTH
11	121-9178	1	Transmission ASM	25	100-1445	2	Bolt-CARR
12	115-4669	1	Belt-V	26	3296-16	2	Nut-Lock, NI
13	114-7977-03	1	Bracket-Transmission				

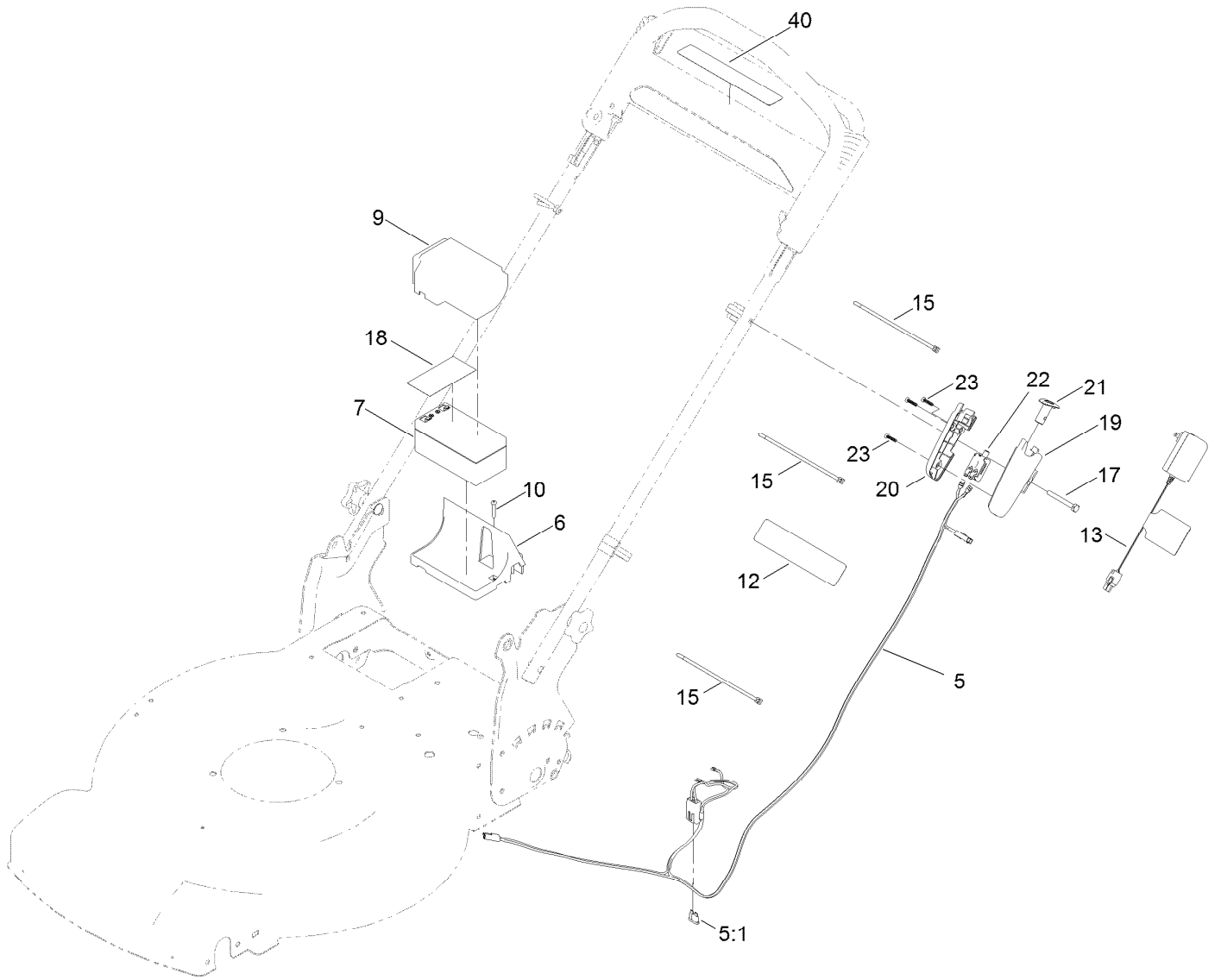
Handle Assembly



Handle Assembly (continued)

<i>Ref.</i>	<i>Part Number</i>	<i>Qty.</i>	<i>Description</i>	<i>Ref.</i>	<i>Part Number</i>	<i>Qty.</i>	<i>Description</i>
1	131-9695-05	1	Handle	14	136-7166	1	Spring-Torsion
2	131-4591	2	Bolt-Shoulder	15	131-0880-03	1	Bail-Brake
3	3296-29	2	Nut-Lock, NI	17	136-5864	1	Anchor-Cable
4	131-9663	2	Screw-CARR	18	115-8435	1	Cable-Traction
5	117-5976	2	Knob-Handle	19	115-8437	1	Cable-Brake
6	105-6842	1	Guide-LH	21	86-9671	1	Guide-Rope
7	105-6841	1	Guide-RH	22	3296-73	2	Nut-Lock, NI
10	104-8678	1	Handle-Control	23	114-7988	1	Guide-Cable
11	136-7150	1	Bar-Control, Traction	24	131-4551	1	Cover-Handle
12	3256-23	1	Washer-Plain	40	117-1019	1	Decal
13	99-1589	1	Lever-Traction	44	3256-1	1	Washer-Flat

Electrical Assembly



Electrical Assembly (continued)

<i>Ref.</i>	<i>Part Number</i>	<i>Qty.</i>	<i>Description</i>	<i>Ref.</i>	<i>Part Number</i>	<i>Qty.</i>	<i>Description</i>
5	125-5024	1	Harness-Wire	17	321-50	1	Screw-HH
5:1	99-6124	1	Fuse-40 Amp	18	112-8763	1	Decal-Terminal, Battery
6	114-7936	1	Tray-Battery	19	133-8160	1	Housing-Switch, LH
7	106-8397	1	Battery-Wet	20	133-8161	1	Housing-Switch, RH
9	120-3329	1	Cover-Battery	21	125-2470	1	Button-Switch
10	32144-97	1	Screw-PPH, Plastite	22	121-9173	1	Switch-Push Button
12	140-4357	1	Decal-Battery Charging	23	94-4496	3	Screw-PPH
13	136-9126	1	Charger, Battery (12V)	40	133-1900	1	Decal-Button, Push
15	614249	3	Tie-Cable				

Attachments and Accessories

For 20374 22in Recycler Lawn Mower

Product Name	Model/Part
22 Inch Atomic Blade	59534P
Traction Assist Handle Kit	131-4590
Engine Maintenance Kit	20240
High Altitude Kit	133-9943
Bag-Walk Behind (Toro)	490-7318
Fuel Stabilizer .05 oz	130-2393
Toro Premium Fuel Treatment 12 Oz Bottle	131-6572
8 Inch Wheel ASM	137-4833P
4-Cycle Fuel, Snow And Lawn 32oz Can	131-3823
8 Inch Gear Wheel RWD ASM	59503
Oil-30/10W-30 Synthetic (Quart)	138-6053
Replacement Drive Belt Kit, 22-inch 2009 and After Rear-Wheel Drive Lawn Mower	38991
Summer Oil-Case of 24 (20oz Bottles)	38916
Lawnmower Cover	490-7462
Lawn Striping Kit with 22in Roller	20601
Toro 4-Cycle SAE 30 Oil (32oz Bottle)	38903
Replacement Bag	59310

Notes:

Notes:

Notes:



Count on it.