



**Count on it.**

**Parts Catalog**

**62in Rotary Mower**

**Groundsmaster® 360 Series and 7200 Series  
Traction Unit**

Model No. 30457—Serial No. 405700000 and Up



# Ordering Replacement Parts

To order replacement parts, please supply the part number, the quantity, and the description of each part desired.

## Understanding Reference Numbers

Each identified part in an illustration has a reference number. The reference number for a part also appears in the parts list, along with other information about the part.

This catalog uses two special reference number formats, one to indicate parts in a service assembly and another to indicate the quantity of a given part in an illustration.

## Service Assembly Reference Numbers

Parts in service assemblies have reference numbers in the form a:b. The a represents the reference number of the entire service assembly and the b represents a sequential number unique to each part within the service assembly.

For example, a wheel assembly might be identified by reference number 6, the tire by 6:1, the valve by 6:2, and the wheel by 6:3. When you order the assembly identified by reference number 6, you receive all parts identified by reference numbers 6:1, 6:2, and 6:3. However, you may also order any part individually. Reference numbers of this type appear in illustration and in parts lists.

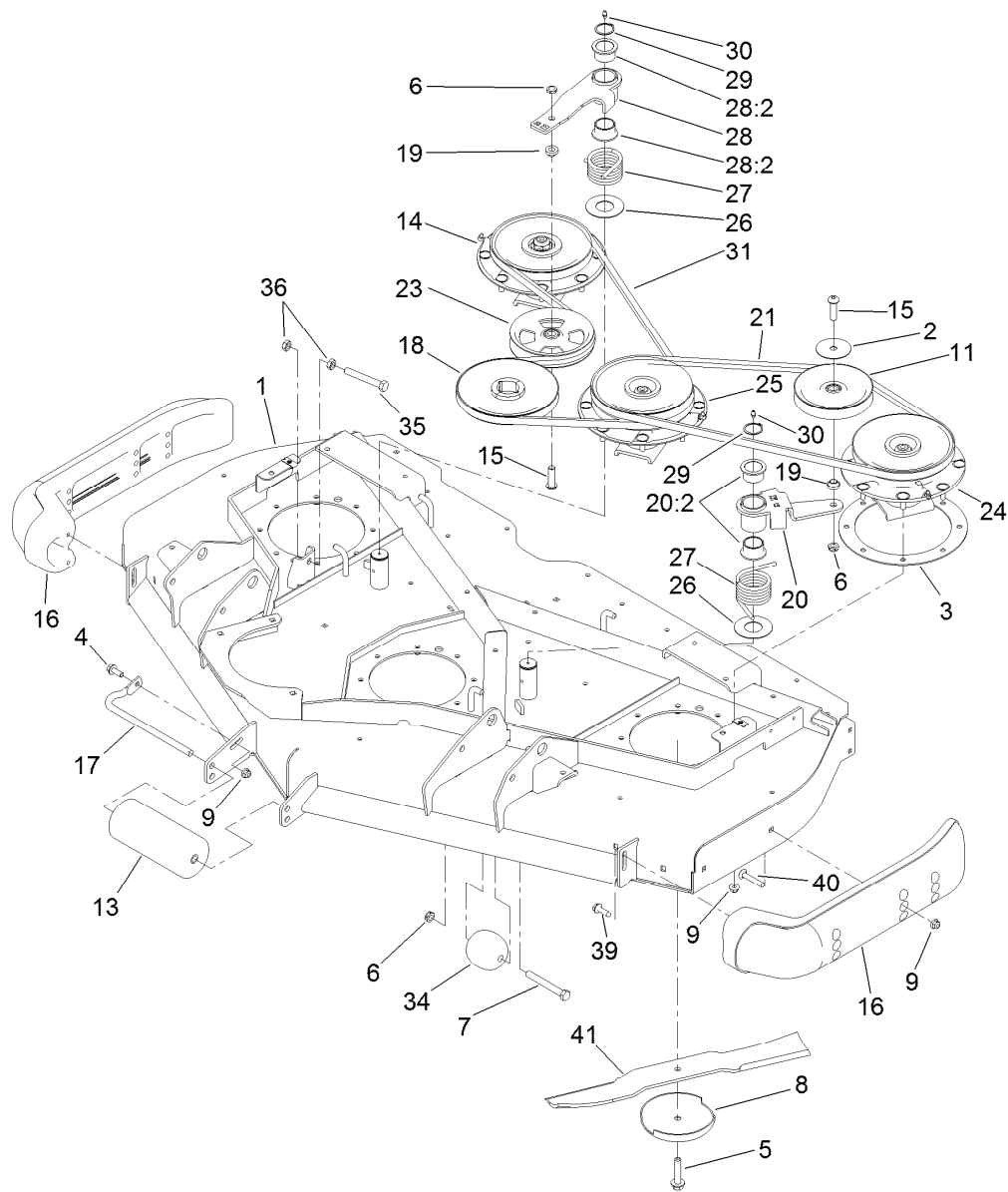
## Reference Numbers Indicating Quantity

In an illustration, if a reference number indicates more than one part, the reference number has the form nX y. The n represents the quantity of the part, the X is the multiplication symbol, and the y represents the reference number.

For example, in an illustration, the reference number 2X 37 means that two of the parts identified by reference number 37 are indicated.

# Contents

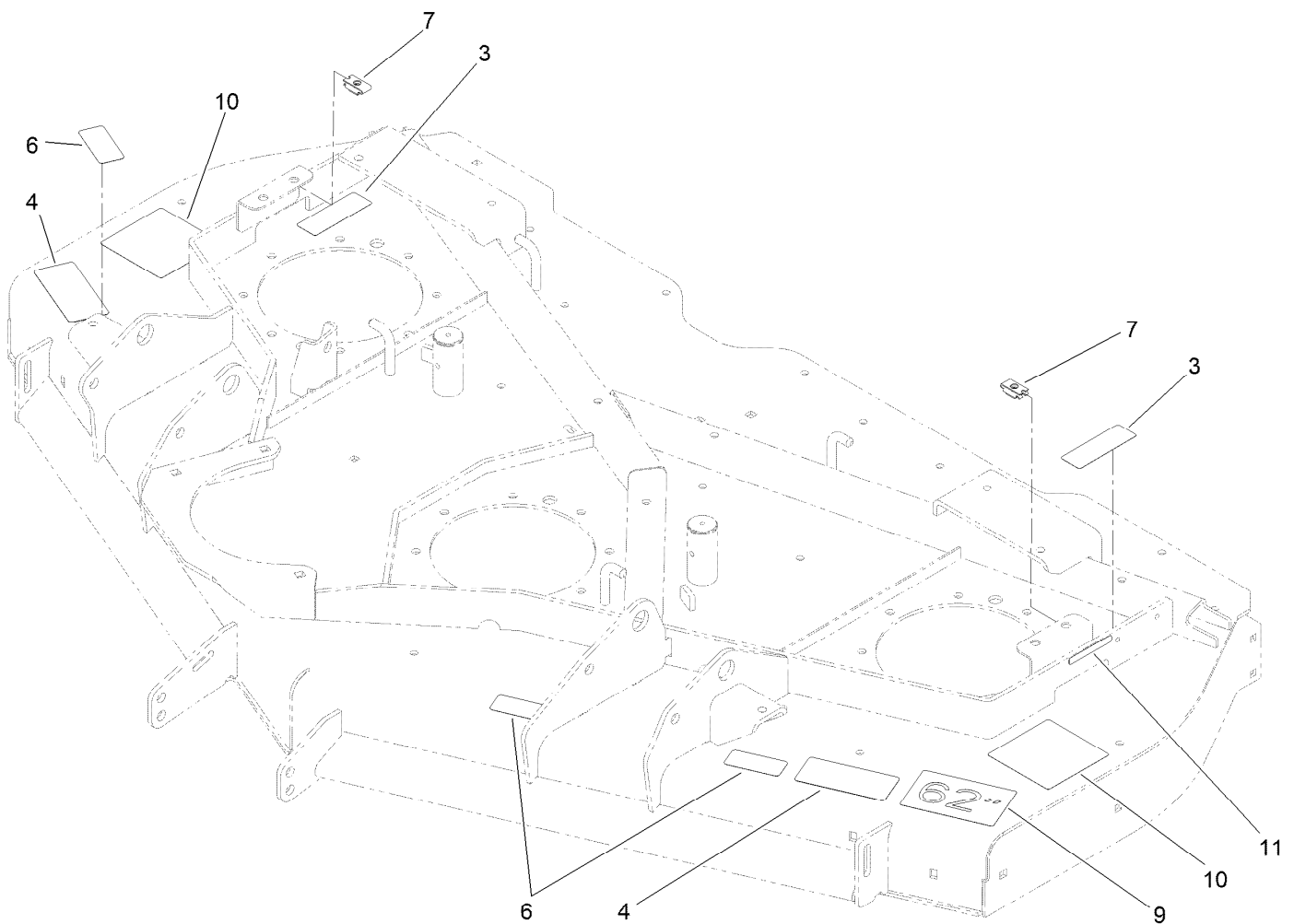
Roller, Belt and Pulley Assembly . . . . .	4
Deck Decal Assembly No. 127-6472 . . . . .	5
Low Driven Spindle Assembly No. 139-1039 . . . . .	6
High Driven Spindle Assembly No. 139-1038 . . . . .	7
Double Driven Spindle Assembly No. 139-1037 . . . . .	8
Deck Cover and Gearbox Assembly . . . . .	9
Gearbox Assembly No. 130-8659 . . . . .	10
Pull Link Assembly . . . . .	11



## Roller, Belt and Pulley Assembly

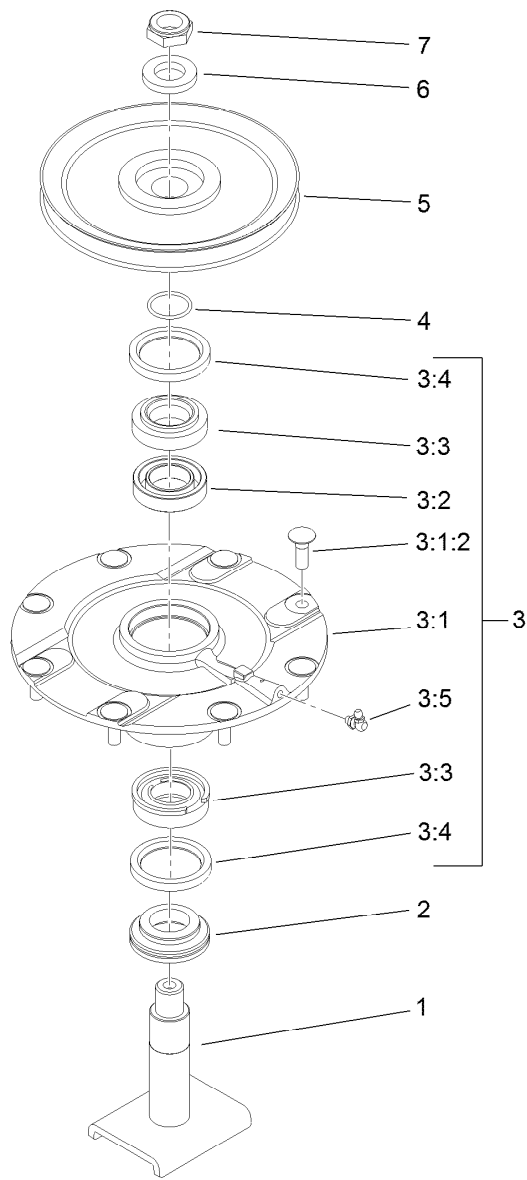
Ref.	Part Number	Qty.	Description	Ref.	Part Number	Qty.	Description
1	127-6472	1	Deck ASM	21	110-9595	1	Belt-V
2	100-3102	1	Washer-Flat	23	132-9421	1	Pulley-Idler, Flat
3	120-6603-03	3	Ring-Doubler	24	139-1038	1	High Driven Spindle ASM
4	3234-42	1	Screw-HHF	25	139-1037	1	Double Driven Spindle ASM
5	92-5816	3	Bolt-Blade	26	108-1926	2	Washer
6	3296-45	4	Nut-Hex	27	108-1921	2	Spring-Torsion
7	325-17	2	Screw-HH	28	108-1930	1	Idler Arm ASM
8	72-9361	3	Cup-Scalp, Anti	28:2	93-4510	2	Bushing-Caster
9	104-8301	29	Nut-HF, NI	29	32120-84	2	Ring-Snap, External
11	01-268-0160	1	Pulley-Idler	30	302-5	2	Fitting-Grease
13	68-6710	1	Roller	31	110-9594	1	Belt-V
14	139-1039	1	Low Driven Spindle ASM	34	29-4820	2	Roller
15	108-1993	2	Screw-HSBH	35	325-14	1	Screw-HH
16	112-1479	2	Skid-Bumper, Deck	36	3218-5	2	Nut-Jam
17	68-6840	1	Shaft-Roller	39	9136144	2	Screw-HWHTF
18	107-4767	1	Pulley	40	3231-33	4	Screw-CARR
19	108-1924	2	Spacer-Idler	41	107-0214-03	3	Blade-Atomic, 21.75 In ●
20	117-9176	1	Idler Arm ASM	41	110-6115-03	3	Blade-Flat Sail, 21.75 In ●
20:2	93-4510	2	Bushing-Caster	41	92-5608-03	3	Blade

● Not illustrated



## Deck Decal Assembly No. 127-6472

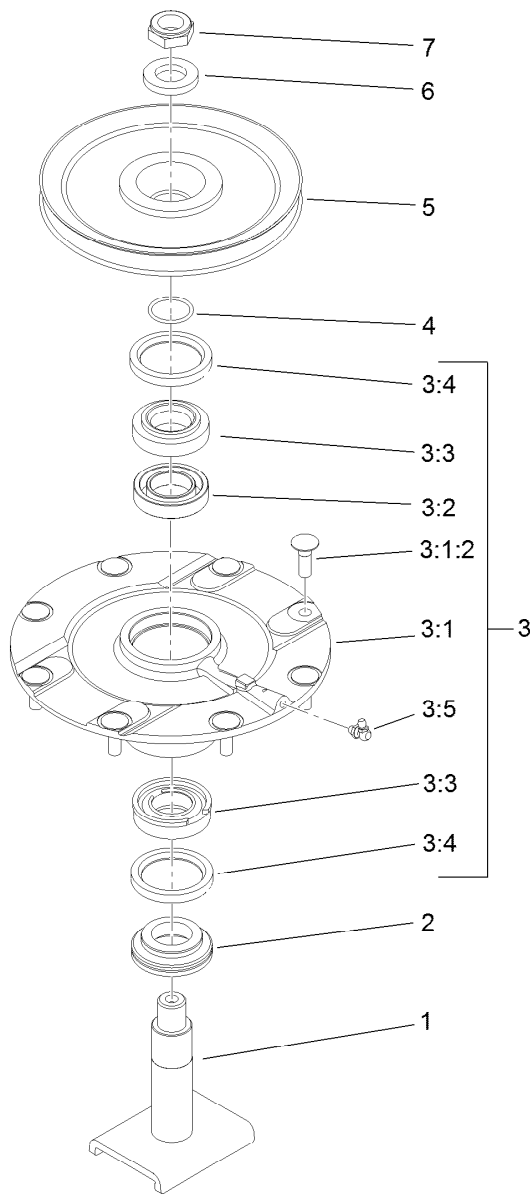
<i>Ref.</i>	<i>Part Number</i>	<i>Qty.</i>	<i>Description</i>
3	117-4979	2	Decal-Warning
4	93-7818	2	Decal-Torque, Blade Bolt
6	93-6696	3	Decal-Warning
7	110-3510	4	Nut-Retainer
9	66-1630	1	Decal
10	120-6604	2	Decal-Danger
11	133-8061	1	Decal-Warning



## Low Driven Spindle Assembly No. 139-1039

Ref.	Part Number	Qty.	Description
1	139-1044	1	Shaft-Spindle
2	138-6416	1	Spacer-Spindle, Shaft
3	119-4775	1	Spindle Housing ASM
3:1		1	Spindle ASM ●
3:1:2	114-8195	8	Bolt-Neck, Ribbed
3:2	120-5577	1	Bearing Spacer Set
3:3	110-8297	1	Bearing ASM
3:4	253-154	2	Seal-Oil
3:5	302-60	1	Fitting-Grease
4	106-7159	1	O-Ring
5	104-3546	1	Pulley-Driven, Low
6	120-5576	1	Washer-Hardened
7	3296-60	1	Nut-Lock, NI

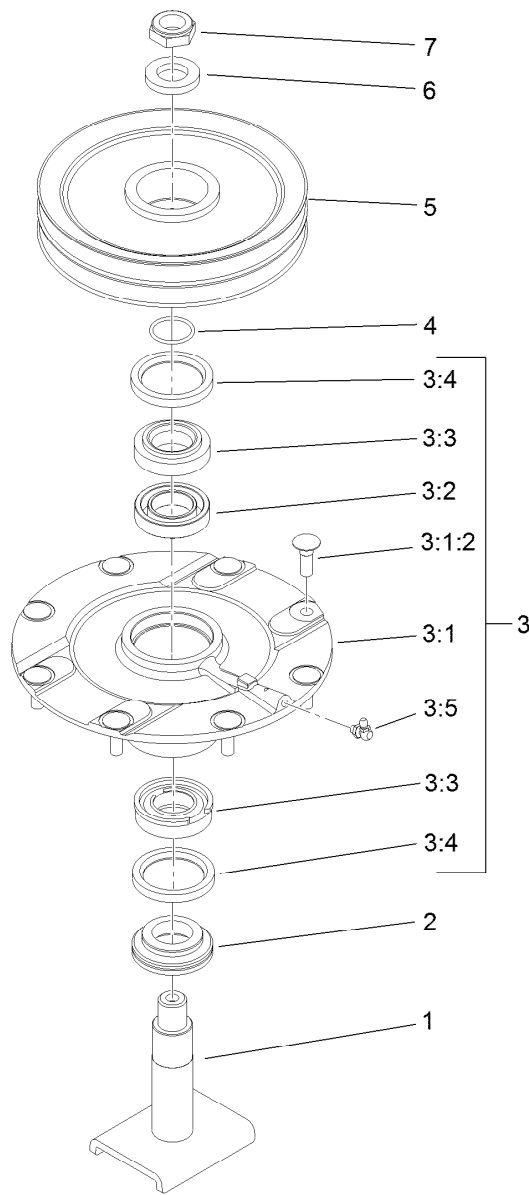
● Not serviced separately



## High Driven Spindle Assembly No. 139-1038

Ref.	Part Number	Qty.	Description
1	139-1044	1	Shaft-Spindle
2	138-6416	1	Spacer-Spindle, Shaft
3	119-4775	1	Spindle Housing ASM
3:1		1	Spindle ASM ●
3:1:2	114-8195	8	Bolt-Neck, Ribbed
3:2	120-5577	1	Bearing Spacer Set
3:3	110-8297	1	Bearing ASM
3:4	253-154	2	Seal-Oil
3:5	302-60	1	Fitting-Grease
4	106-7159	1	O-Ring
5	104-3548	1	Pulley-Driven, High
6	120-5576	1	Washer-Hardened
7	3296-60	1	Nut-Lock, NI

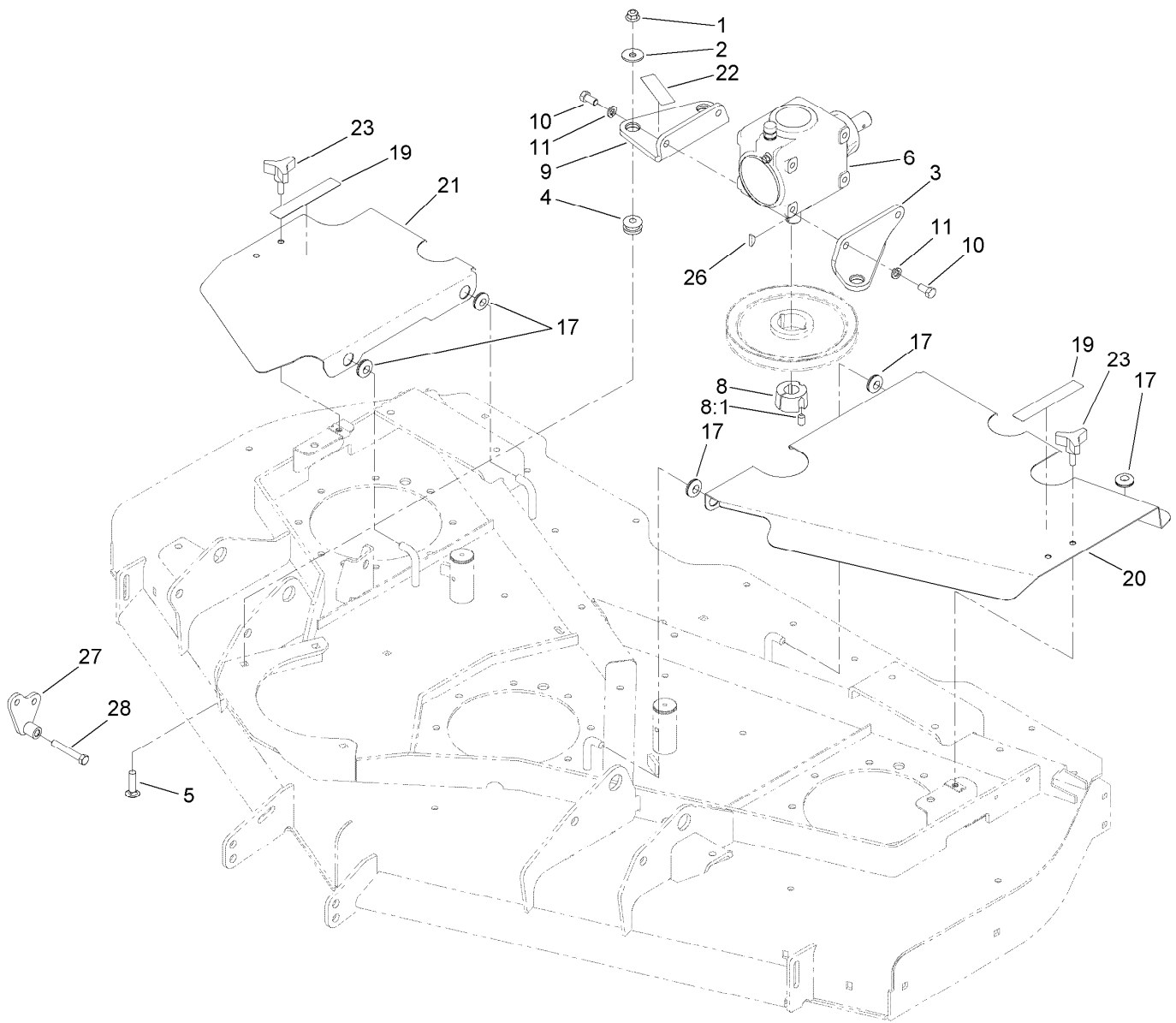
● Not serviced separately



## Double Driven Spindle Assembly No. 139-1037

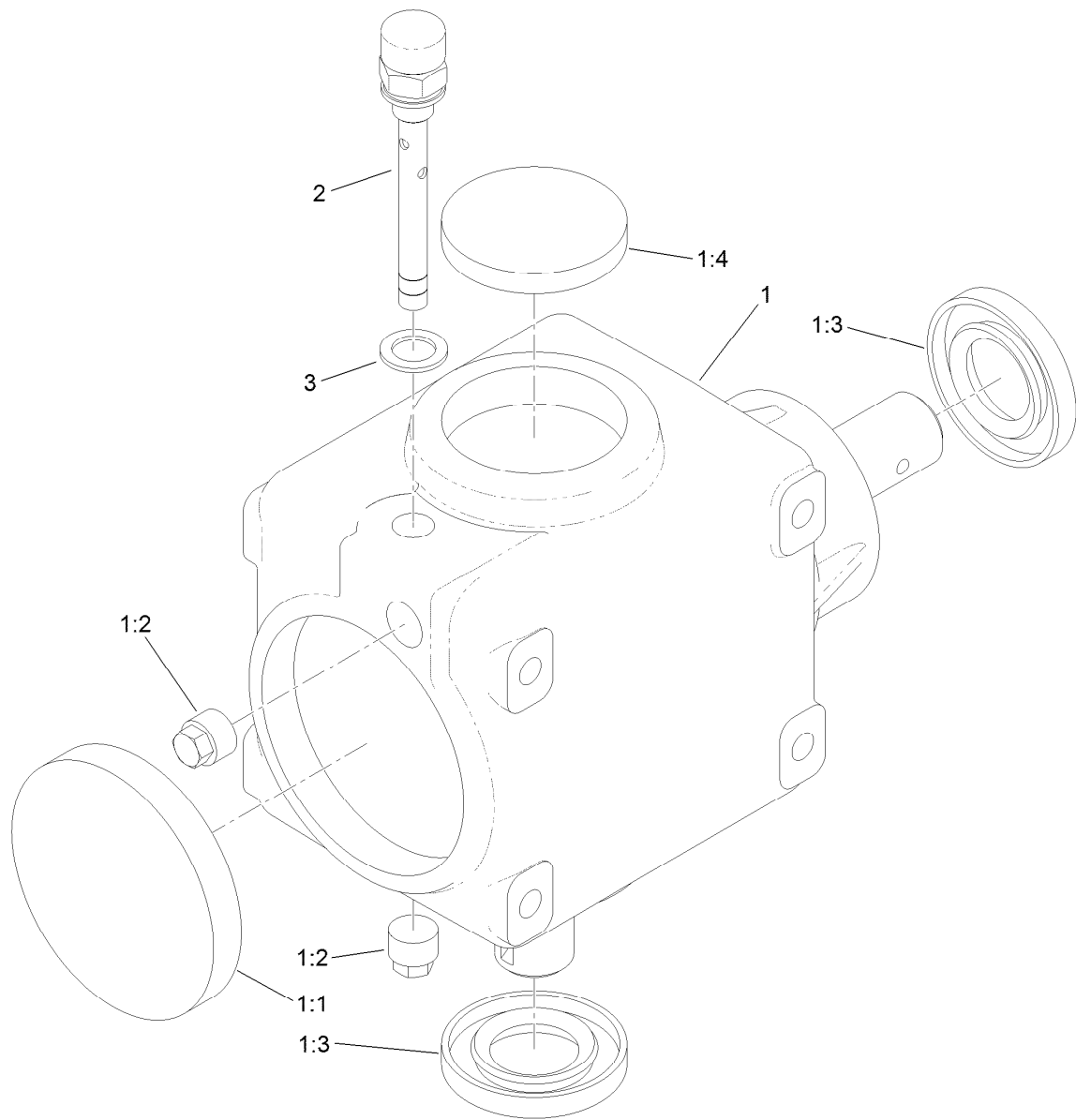
Ref.	Part Number	Qty.	Description
1	139-1044	1	Shaft-Spindle
2	138-6416	1	Spacer-Spindle, Shaft
3	119-4775	1	Spindle Housing ASM
3:1		1	Spindle ASM ●
3:1:2	114-8195	8	Bolt-Neck, Ribbed
3:2	120-5577	1	Bearing Spacer Set
3:3	110-8297	1	Bearing ASM
3:4	253-154	2	Seal-Oil
3:5	302-60	1	Fitting-Grease
4	106-7159	1	O-Ring
5	104-3547	1	Pulley-Driven, Double
6	120-5576	1	Washer-Hardened
7	3296-60	1	Nut-Lock, NI

● Not serviced separately



## Deck Cover and Gearbox Assembly

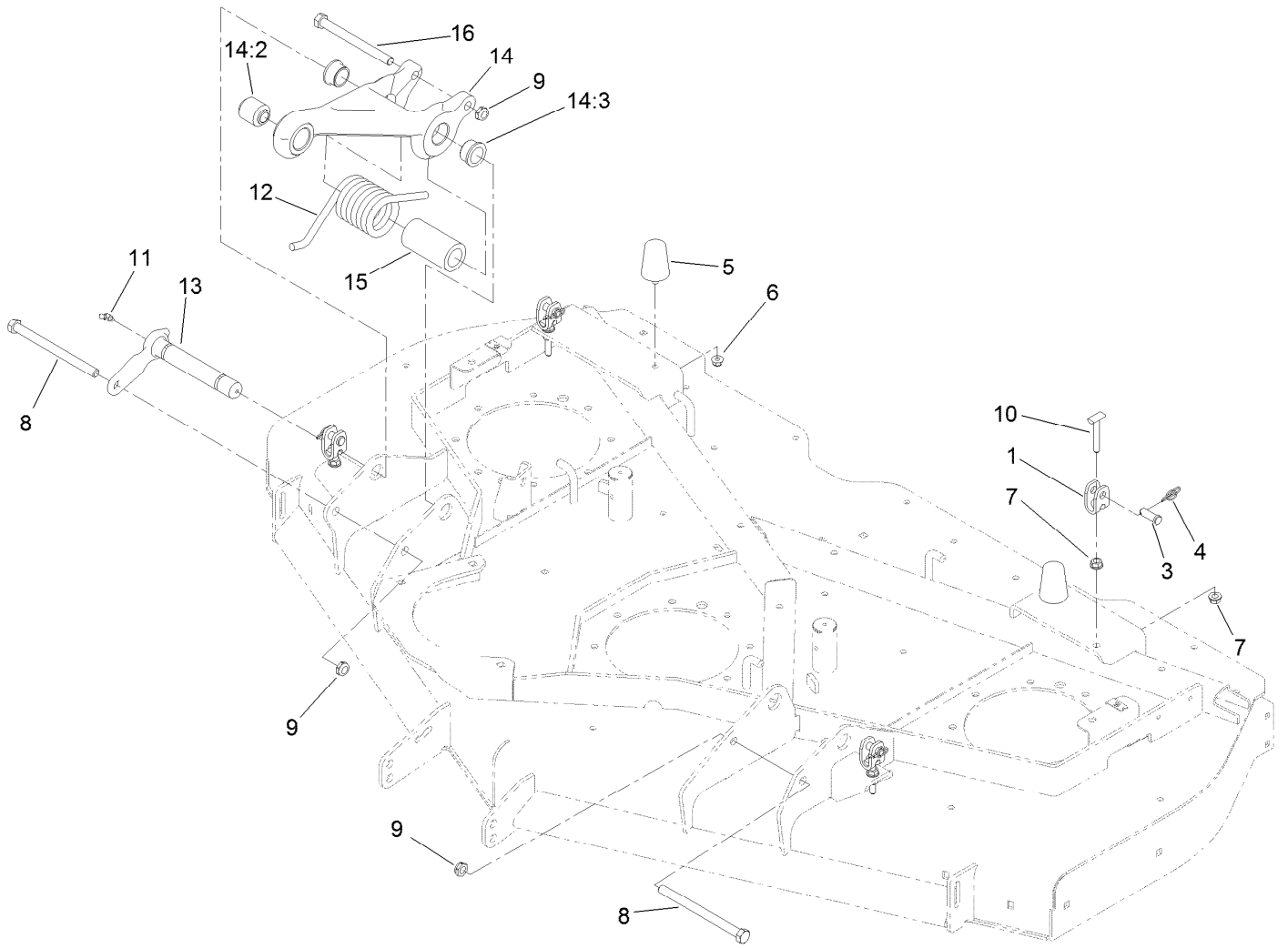
<i>Ref.</i>	<i>Part Number</i>	<i>Qty.</i>	<i>Description</i>	<i>Ref.</i>	<i>Part Number</i>	<i>Qty.</i>	<i>Description</i>
1	104-8301	3	Nut-HF, NI	11	3253-21	4	Washer-Lock
2	63-8410	3	Washer	17	112-9559	5	Grommet
3	110-6384-03	1	Bracket-Gearbox, LH	19	93-6687	2	Decal-No Step
4	63-9750	3	Mount	20	112-1458-03	1	Cover-Deck, LH
5	3231-26	3	Screw-CARR	21	112-1459-03	1	Cover-Deck, RH
6	130-8659	1	Gearbox ASM	22	93-6697	1	Decal-Lube
8	23-1640	1	Bushing-Taperlock	23	106-2240	2	Knob
8:1	3247-4	2	Screw-Set	26	3257-5	1	Key-Woodruff
9	110-6385-03	1	Bracket-Gearbox, RH	27	136-4467	1	Traction Linkage ASM
10	323-4	4	Screw-HH	28	323-12	1	Screw-HH



## Gearbox Assembly No. 130-8659

<i>Ref.</i>	<i>Part Number</i>	<i>Qty.</i>	<i>Description</i>
1		1	Gearbox ASM ●
1:1	107-2932	1	Cap-Oil
1:2	107-2933	2	Plug
1:3	117-9247	2	Seal
1:4	107-2935	1	Cap-Oil
2	130-8661	1	Plug-Breather
3	130-4899	1	Washer

● Not serviced separately



## Pull Link Assembly

<i>Ref.</i>	<i>Part Number</i>	<i>Qty.</i>	<i>Description</i>	<i>Ref.</i>	<i>Part Number</i>	<i>Qty.</i>	<i>Description</i>
1	115-1429	4	Yoke-Clevis	11	302-11	4	Fitting-Lube, 45 DEG
3	700601	4	Pin-Clevis	12	112-9520	2	Spring-Torsion
4	112-1491	4	Pin-Cotter	13	120-5570	2	Pin-Retainer
5	110-5070	2	Bumper	14	112-1625	2	Pull Link ASM
6	104-8300	2	Nut-HF, NI	14:2	107-2328	1	Bushing
7	3290-357	8	Nut-HHF, Whiz	14:3	114-5680	2	Bushing-Flange
8	325-33	2	Screw-HH	15	110-9845	2	Spacer-Plain
9	3296-45	4	Nut-Hex	16	325-22	2	Screw-HH
10	125-9450	4	T-Bar				



**Count on it.**