



Pressure Washer Pump Kit

For Workman 3000 Series

Model No. 100-9364

Parts Catalog

Ordering Replacement Parts

To order replacement parts, please supply: the part number, the quantity, and the description of each part desired.

Understanding Reference Numbers

Each identified part in an illustration has a reference number. The reference number for a part also appears in the parts list, along with other information about the part.

This catalog uses two special reference number formats, one to indicate parts in a service assembly and another to indicate the quantity of a given part in an illustration.

Service Assembly Reference Numbers

Parts in service assemblies have reference numbers in the form **a:b**. The **a** represents the reference number of the entire service assembly and the **b** represents a sequential number unique to each part within the service assembly.

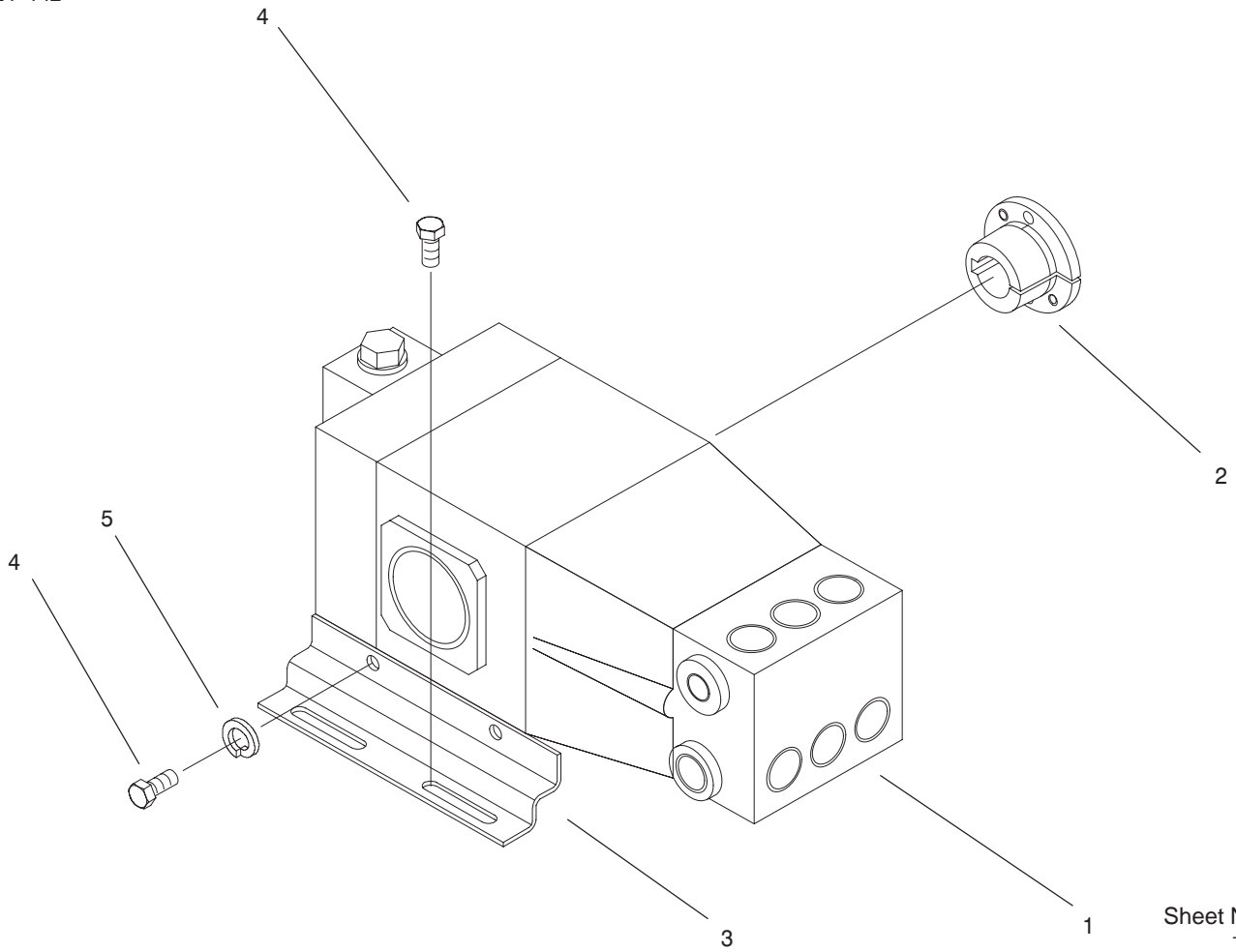
For example, a wheel assembly might be identified by reference number **6**, the tire by **6:1**, the valve by **6:2**, and the wheel by **6:3**. When you order the assembly identified by reference number **6**, you receive all parts identified by reference numbers **6:1**, **6:2**, and **6:3**. However, you may also order any part individually.

Reference numbers of this type appear in illustrations and in part lists.

Reference Numbers Indicating Quantity

In an illustration, if a reference number indicates more than one part, the reference number has the form **nX y**. The **n** represents the quantity of the part, the **X** is the multiplication symbol, and the **y** represents the reference number.

For example, in an illustration, the reference number **2X 37** means that two of the parts identified by reference number **37** are indicated.



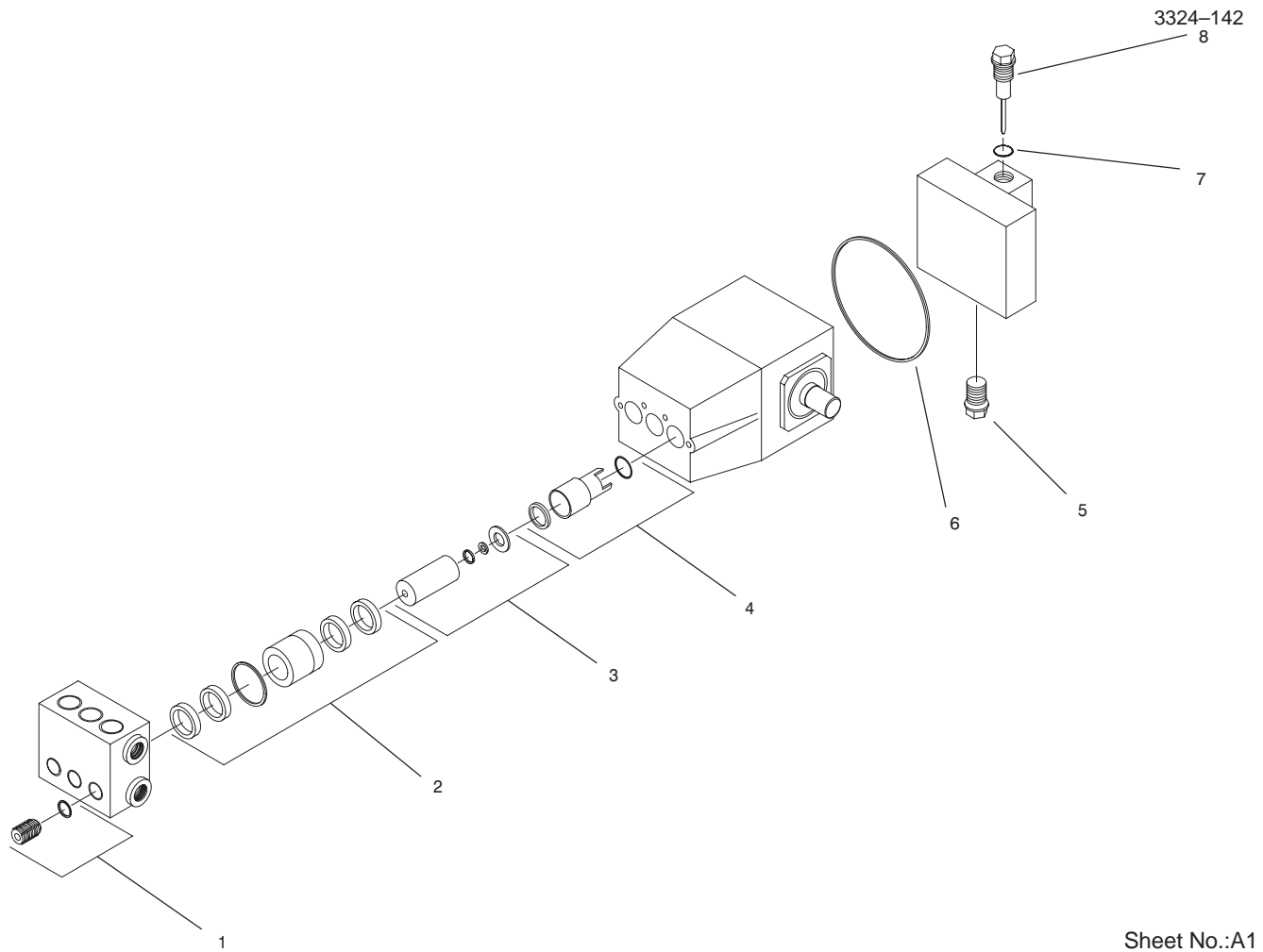
Sheet No.:0
T-3461

Pressure Washer Pump Assembly

Ref. No.	Part No.	Qty.	Description
1	100-4500	1	Pump-Washer, Pressure
2	99-9422	1	Bushing-Lock, Taper
3	99-9420	2	Bracket-Pump
4	322-3	4	Screw-HH
5	3253-4	4	Washer
*6	93-1339	1	Elbow-Street, 90°
*7	2811-1	1	Elbow-Street, 45°

Ref. No.	Part No.	Qty.	Description

* Not Illustrated.



Sheet No.:A1

Pressure Washer Pump No. 100-4500

Ref. No.	Part No.	Qty.	Description
1	100-4531	1	Kit-Valve
2	100-4532	1	Kit-Plunger Seal, Loaded
3	100-4533	3	Kit-Plunger
4	100-4534	1	Kit-Oil Seal Repair
5	100-4535	1	Plug-Drain
6	100-4536	1	O-Ring
7	100-4537	1	O-Ring
8	100-4538	1	Dipstick

Ref. No.	Part No.	Qty.	Description

