



Proline 10.5 HP
Mid-Size Traction Unit
Model No. 30164-20000001 and Up

Parts Catalog

Ordering Replacement Parts

To order replacement parts, please supply: the part number, the quantity, and the description of each part desired.

Understanding Reference Numbers

Each identified part in an illustration has a reference number. The reference number for a part also appears in the parts list, along with other information about the part.

This catalog uses two special reference number formats, one to indicate parts in a service assembly and another to indicate the quantity of a given part in an illustration.

Service Assembly Reference Numbers

Parts in service assemblies have reference numbers in the form **a:b**. The **a** represents the reference number of the entire service assembly and the **b** represents a sequential number unique to each part within the service assembly.

For example, a wheel assembly might be identified by reference number **6**, the tire by **6:1**, the valve by **6:2**, and the wheel by **6:3**. When you order the assembly identified by reference number **6**, you receive all parts identified by reference numbers **6:1**, **6:2**, and **6:3**. However, you may also order any part individually.

Reference numbers of this type appear in illustrations and in part lists.

Reference Numbers Indicating Quantity

In an illustration, if a reference number indicates more than one part, the reference number has the form **nX y**. The **n** represents the quantity of the part, the **X** is the multiplication symbol, and the **y** represents the reference number.

For example, in an illustration, the reference number **2X 37** means that two of the parts identified by reference number **37** are indicated.

Contents

Description	Page	Description	Page
Engine & Fuel System Assembly	3	Spindle Assembly	11
Transmission & Drive Pulley Assembly	4	Engine Briggs & Stratton	
Transmission & Drive Pulley Assembly	5	Model 28B702-1041-E1	12-22
Wheel Drive Assembly	6	Schematic	23
Upper Handle Assembly	7	Peerless Transmission Model 700-070A	24
36" Deck Assembly	8	Peerless Transmission	
Front Casters, & Blade Brake Assembly	9	Model 700-070A (cont.)	25
Front Casters, & Blade Brake		Maintenance	26-27
Assembly (cont.)	10		

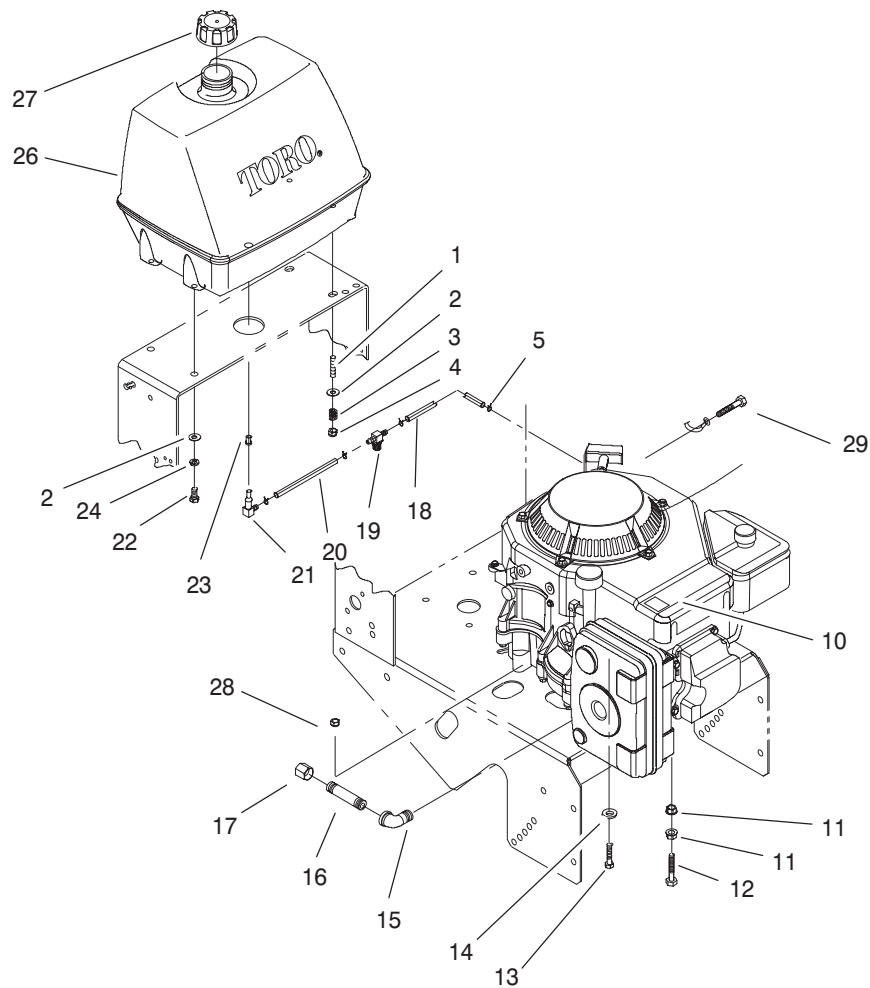
Accessories

Description	Model / Part No.	Description	Model / Part No.
Bagging Kit	Model No. 30198		
Low Sail Blade	Part No. E403149		

Part Description Abbreviations

Part descriptions in this catalog may include the following abbreviations.

Abbreviation	Meaning	Abbreviation	Meaning
AR	as required	INC	incorporated
ASM	assembly	LH	left hand
CARR	carriage	NI	nylon insert
DEG	degrees	PPH	Phillips pan head
FH	flat head	PTH	Phillips truss head
GA	gauge	PTO	power take off
HF	hex flange	RH	right hand
HH	hex head	SFH	slotted fillister head
HHF	hex head flange	SHH	slotted hex head
HLH	hex lag head	SQH	square head
HJ	hex jam	SHWH	slotted hex washer head
HOC	height-of-cut	SPH	slotted pan head
HS	hex socket	SRH	slotted round head
HSBH	hex socket button head	STD	standard
HSFH	hex socket flat head	TAP	self tapping
HSH	hex socket head	TTH	Torx truss head
HWH	hex washer head	WH	wing head
HWHTF	hex washer head thread forming		

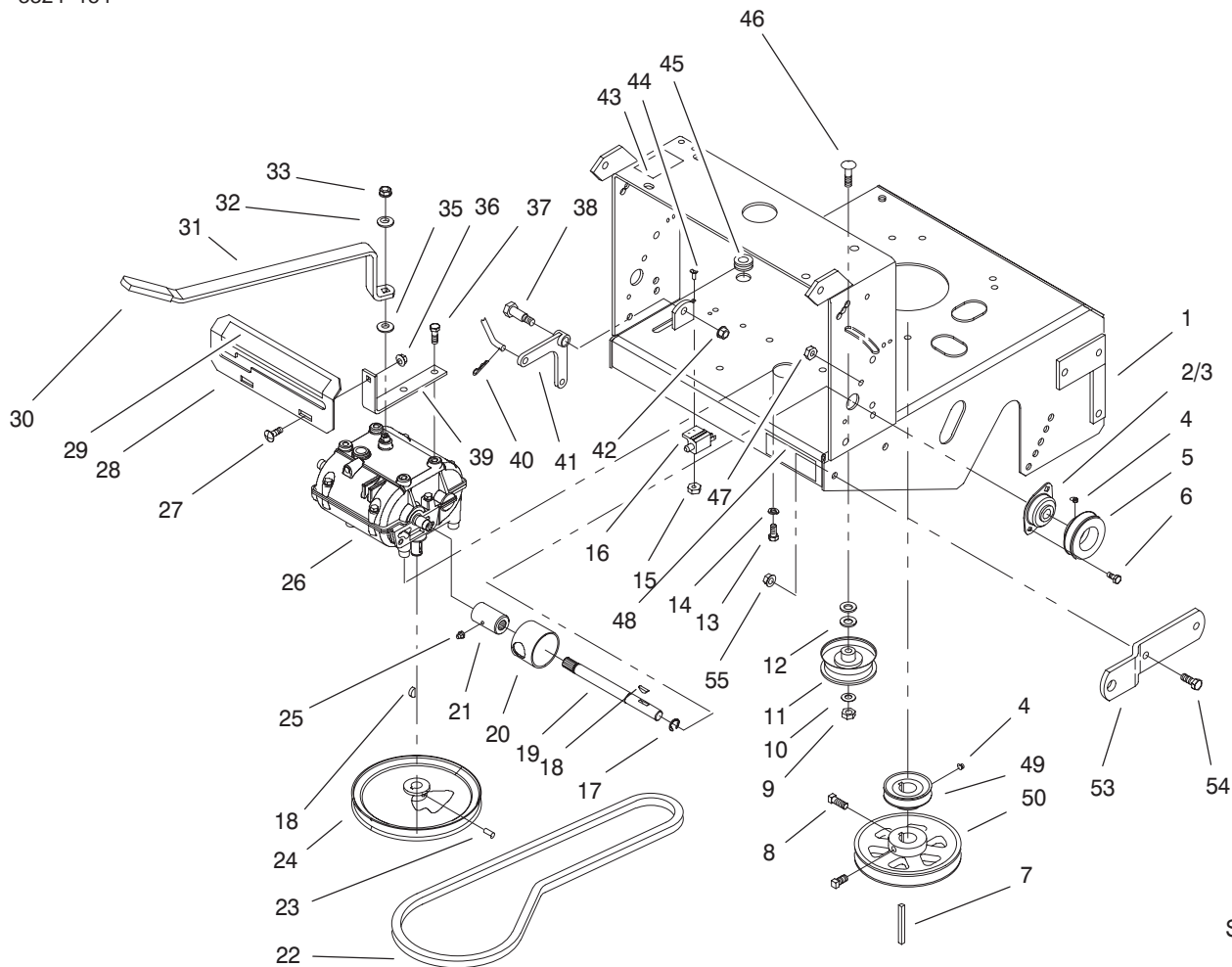


Sheet No.:2

Engine & Fuel System Assembly

Ref. No.	Part No.	Qty.	Description	Ref. No.	Part No.	Qty.	Description
1	E633023	2	Stud	*99	E303287	1	Tie-Plastic
2	3256-23	4	Washer-Flat	*99	E303335	1	Tie-Plastic
3	E633349	2	Spring-Tank, Fuel				
4	3296-47	2	Nut-Lock, NI				
5	E303077	4	Clamp - Gas Line				
10	63-8440	1	Decal - Hot Surface				
11	3290-357	2	Nut-Flange, Lock				
12	323-13	1	Screw-HH				
13	322-7	4	Screw-HH				
14	E303334	4	Washer-Disc Spring				
15	E303431	1	Elbow-90° St Brass				
16	E323326	1	Nipple - 3/8 Npt Sch40				
17	E543233	1	Nut-Cap				
18	E303022	1	Fuel Line - 8.5 Inch				
19	E603770	1	Valve - Gas				
20	E603955	1	Fuel Line - 6 Inch				
21	E543277	1	Elbow-Tank, Fuel				
22	322-3	2	Screw-HH				
23	E513645	1	Bushing-Valve, Fuel				
24	3253-4	2	Washer				
26	E323551	1	Tank - Fuel				
27	E513508	1	Cap - Tank, Fuel				
28	32128-20	4	Nut-HF				
29	E802002	1	Screw-Rhs				

* Not illustrated

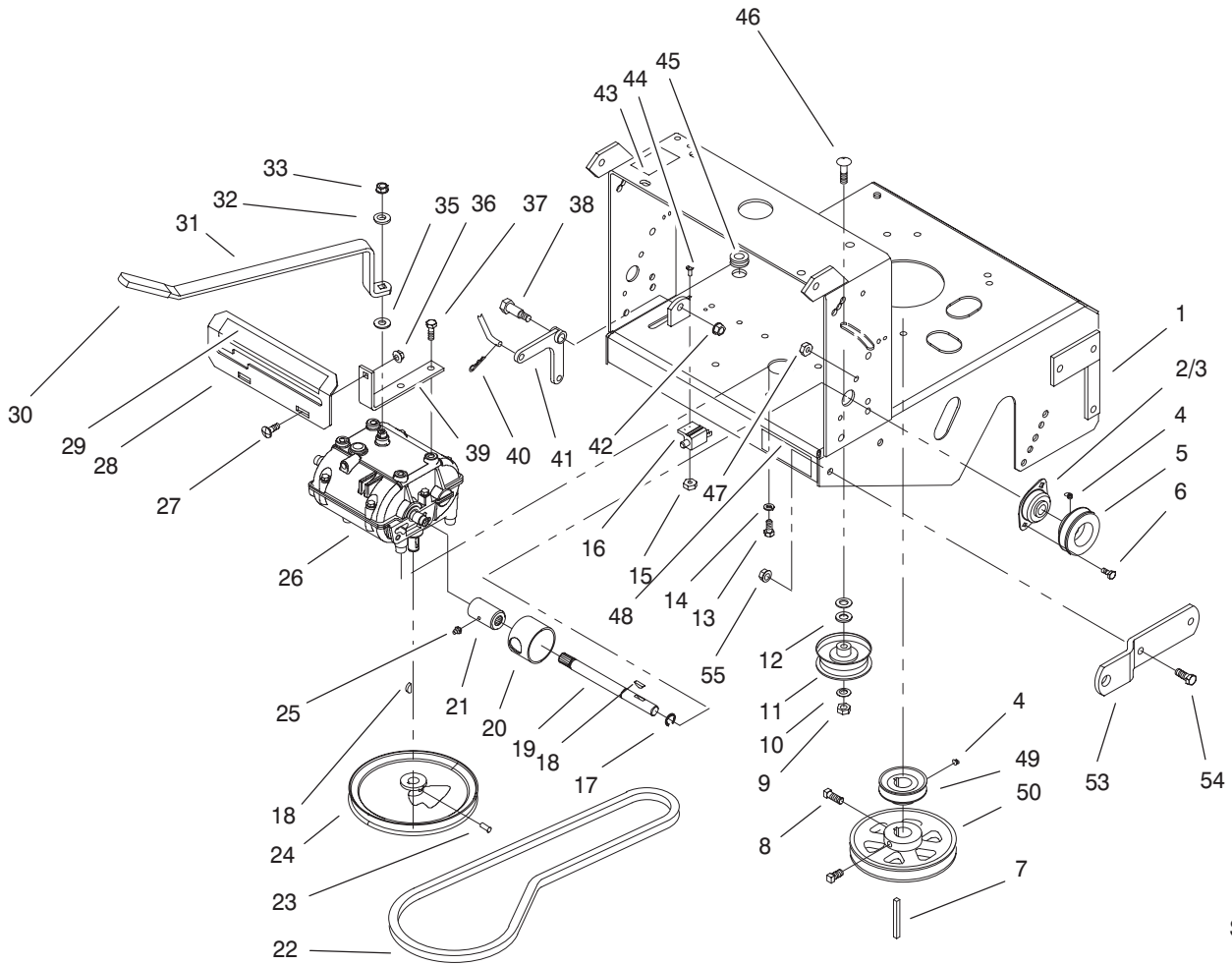


Sheet No.:3

Transmission & Drive Pulley Assembly

Ref. No.	Part No.	Qty.	Description
1	E402112	1	Rear Deck Weldment
2	E323252	2	Bearing Trans Shaft
3	E323254	2	Flange, Output
4	E803310	3	Screw-Set
5	E323363	2	Sheave,Wheel Drive
6	321-3	4	Screw-HH
7	E807264	1	Key-Mach
8	3242-4	2	Screw-Set, SQH
9	3296-39	1	Nut-Lock, NI
10	3256-24	1	Washer-Flat
11	E323285	1	Idler Pulley, Trans
12	3256-5	2	Washer-Flat
13	322-3	4	Screw-HH
14	3253-4	4	Washer
15	3296-2	2	Nut-Lock
16	E513152	1	Switch-Seat
17	E808523	2	Ring,Retng Ext Wlds
18	E807009	3	Key-Woodruff
19	E323502	2	Output Shaft, Trans
20	51-4220	2	Guard-Coupler
21	E323680	2	Coupling
22	E323630	1	Belt-Trans Drive
23	E803293	2	Screw-Set
24	E323278	1	Sheave, Trans Drive
25	302-19	2	Fitting - Grease
26	E323500	1	Transmission

Ref. No.	Part No.	Qty.	Description
27	3230-1	2	Screw-CARR
28	E323387	1	Shifter Plate
29	98-3256	1	Decal-Ground Speed
30	E303020	1	Grip
31	98-3274-03	1	Lever-Shift
32	98-5975	1	Washer
33	3296-6	1	Nut-Lock, NI
35	E323379	1	Washer, Shifter Lever
36	32128-20	2	Nut-HF
37	32104-32	4	Screw-HH
38	E603403	1	Bolt-Shoulder
39	E323389	2	Leg - Shifter Lever
40	3290-307	1	Hairpin
41	E303186	1	Bell Crank
42	3290-357	1	Nut-Flange, Lock
43	95-2814	1	Decal - Fuel Shut Off
44	E803028	2	Screw
45	E543296	1	Grommet-Line, Fuel
46	E807511	1	Bolt-Carriage
47	3296-42	4	Nut-Lock
48	98-0776	1	Decal-Caution Attachments
49	E323256	1	Sheave,Trans Drive
50	E403160	1	Pulley-Blade Drive
53	E323318	2	Hitch - Bracket
54	323-6	4	Screw-HH

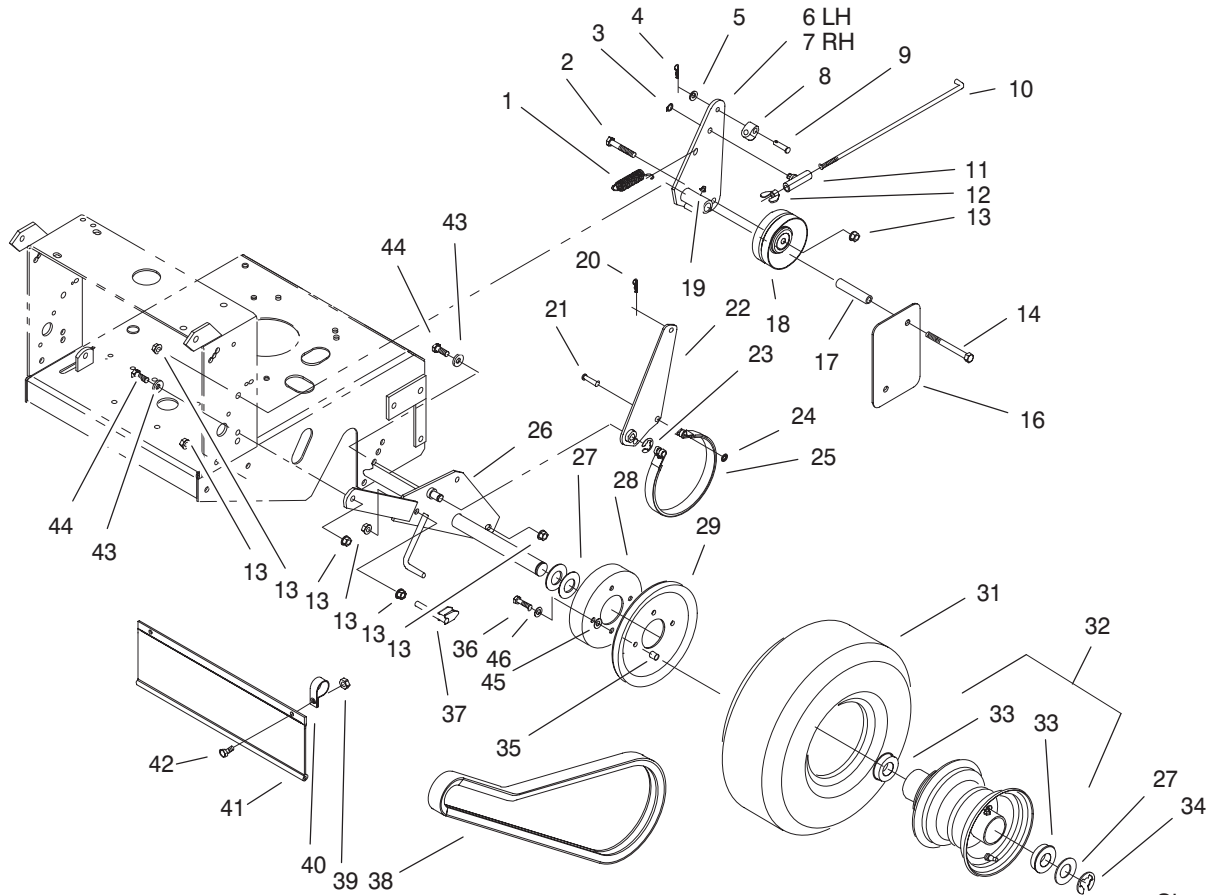


Sheet No.:3

Transmission & Drive Pulley Assembly

Ref. No.	Part No.	Qty.	Description
55	3290-357	4	Nut-Flange, Lock

Ref. No.	Part No.	Qty.	Description

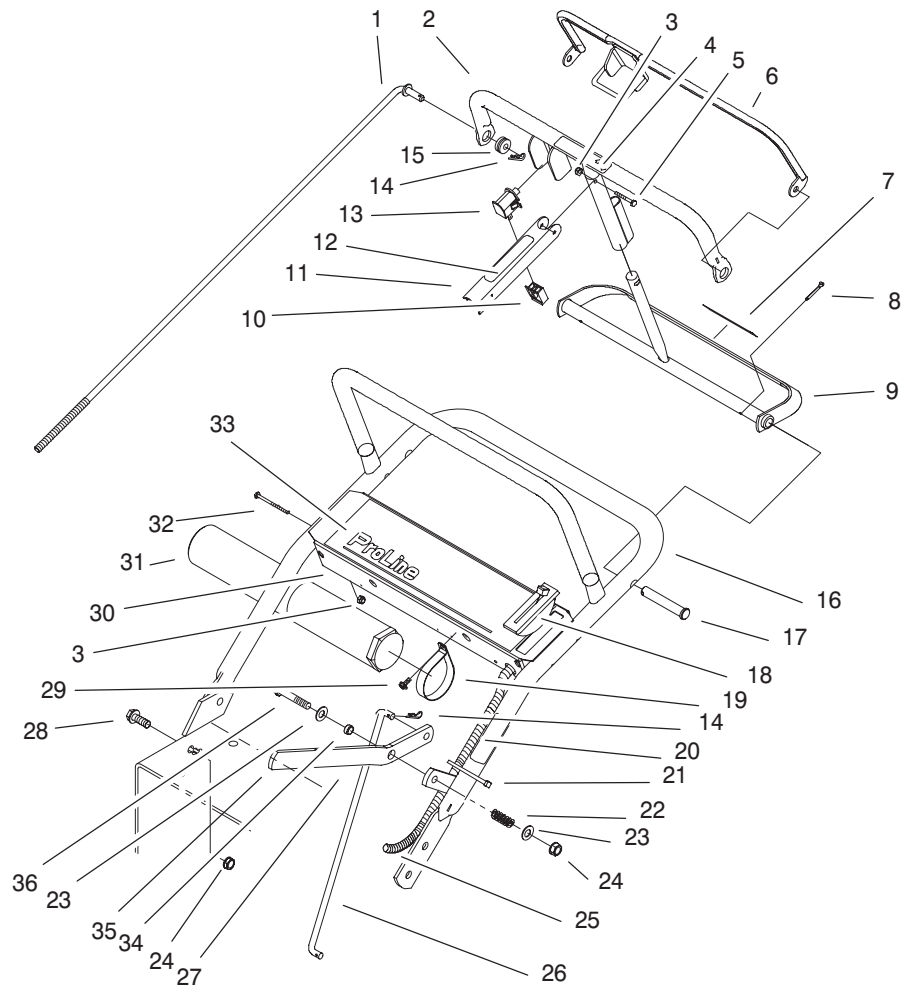


Sheet No.:4

Wheel Drive Assembly

Ref. No.	Part No.	Qty.	Description
1	98-3273	2	Spring-Extension
2	323-10	2	Screw-HH
3	E808522	2	Ring,Klip
4	3290-307	2	Hairpin
5	3256-23	2	Washer-Flat
6	98-3277-03	1	LH Idler Arm ASM
7	98-3278-03	1	RH Idler Arm ASM
8	74-0521	2	Fitting-Rod
9	283-6	2	Pin-Clevis
10	E323296	2	Brake Rod
11	E322125	2	Swivel-Brake
12	E513959	2	Wingnut-Nylok
13	3290-357	14	Nut-Flange, Lock
14	323-16	4	Screw-HH
16	98-5131-01	2	Shield-Wheel Drive
17	E323694	4	Spacer-Shield
18	E323352	2	Idler Pulley,Wheel Drive
19	302-19	2	Fitting - Grease
20	3290-307	2	Hairpin
21	E323307	4	Pin, Clevis
22	E322209	2	Brake Arm ASM,Welded
23	E808501	2	Ring,Snap E
24	E803051	4	Nut-Push
25	E323595	2	Band-Brake

Ref. No.	Part No.	Qty.	Description
26	E322232	1	Axle ASM, Welded
27	E523157	6	Spacer-14 GA
27	E543436	8	Spacer-18 GA
28	E323261	2	Drum-Brake
29	E323349	2	Sheave
31	E323361	2	Tire
32	E323360	2	Rim w/Bearings
33	E323329	4	Bearing
34	E808519	2	Ring,Snap E
35	E323260	8	Spacer
36	E800273	8	Bolt
37	E603430	2	Scraper
38	E323744	2	Belt
39	3296-29	2	Nut-Lock, NI
40	2412-104	2	R Clamp
41	98-3259	1	Shield - Trailing
42	322-3	2	Screw-HH
43	98-5975	4	Washer
44	323-6	4	Screw-HH
45	E373034	8	Washer-Swivel
46	3253-4	8	Washer

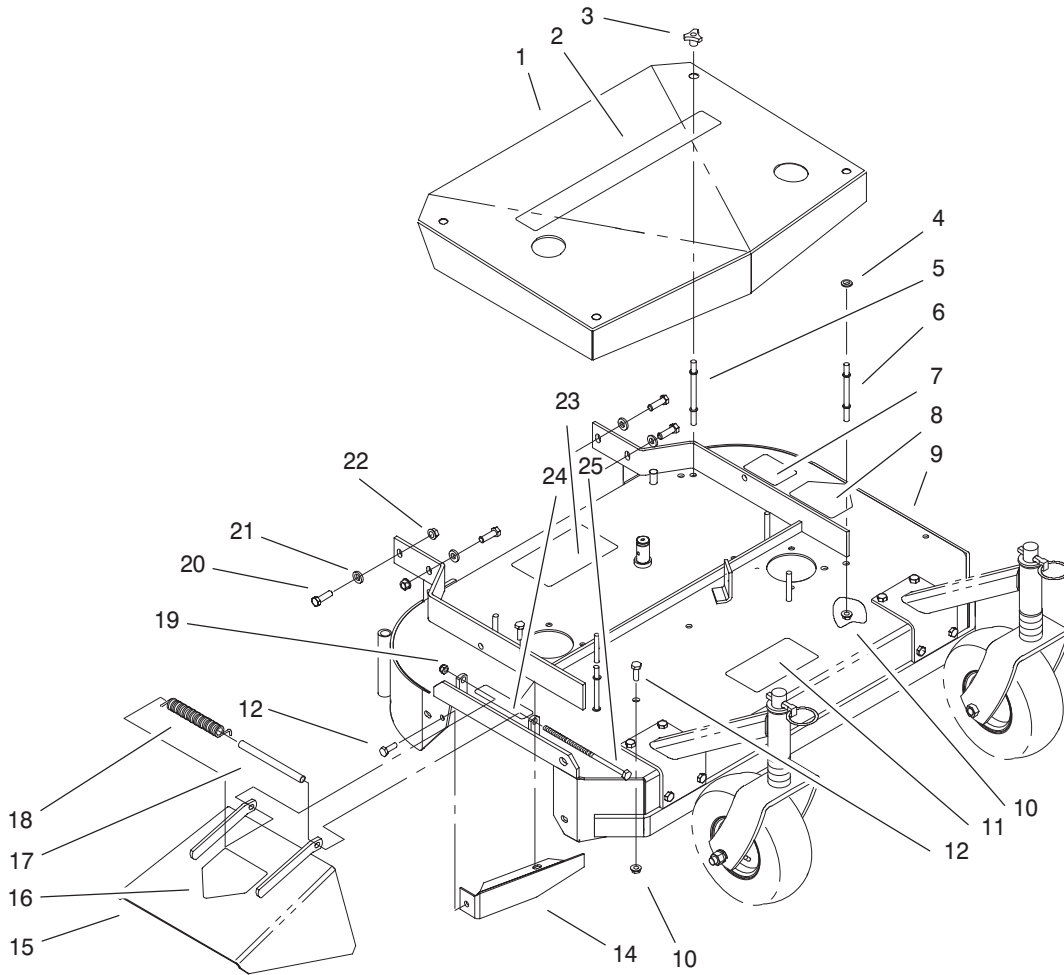


Sheet No.:5

Upper Handle Assembly

Ref. No.	Part No.	Qty.	Description
1	98-3282	2	Rod-Control
2	95-5522-03	1	Control Bar ASM
3	3296-2	5	Nut-Lock
4	82-2290	1	Decal - Control Bar
5	32105-1	1	Screw-Srh
6	98-3289-03	1	Bail ASM
7	82-2280	1	Decal-Reverse Handle
8	3272-11	2	Pin-Cotter
9	99-8501-03	1	Control-Pivot
10	218-595	1	Connector-Body
11	98-3261-03	1	Lever-Parking Brake
12	98-3266	1	Decal-Parking Brake
13	740275	1	Switch,Seat
14	3290-307	3	Hairpin
15	237-141	2	Grommet-Rubber
16	98-3267-01	1	Upper Handle ASM
17	283-55	2	Pin-Clevis
18	100-6485	1	Control-Throttle
19	100-6484	1	Wire Harness
20	95-5537	1	Decal - Deck Engage
21	3290-378	1	Tie-Cable
22	E303160	1	Spring
23	3256-24	2	Washer-Flat
24	3296-39	5	Nut-Lock, NI

Ref. No.	Part No.	Qty.	Description
25	100-6484	1	Wire Harness-10.5 B&s
26	98-3279	1	Linkage-Blade Drive
27	98-3287-03	1	Lever-Blade Engagement
28	323-6	4	Screw-HH
29	32104-76	2	Screw-Slot, Acorn
30	E304259	1	Panel-Control w/Decal
31	74-0720	1	Tube-Manual
32	32105-14	4	Screw-Slotted Hd
33	95-5437	1	Decal - Control Panel
34	99-8509	1	Spacer
35	E303020	1	Grip
36	323-10	1	Screw-HH

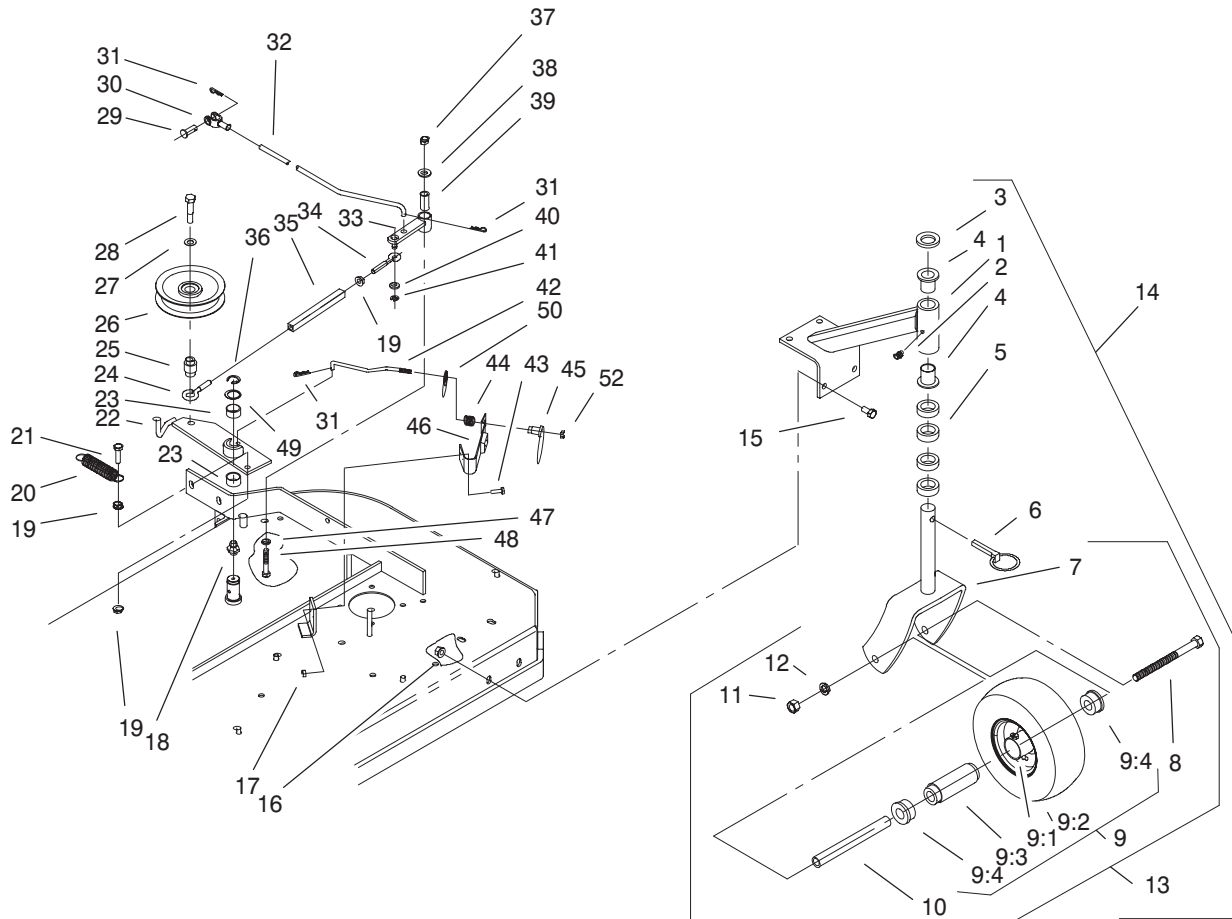


Sheet No.:6

36" Deck Assembly

Ref. No.	Part No.	Qty.	Description
1	E324407	1	Belt Cover w/Decal
2	100-6482	1	Decal-Proline 32
3	E323385	4	Knob,Belt Cover
4	E323417	4	Washer,Belt Cover Mount
5	E303536	2	Stud-Belt Shield (Long)
6	E303537	2	Stud-Belt Shield(Short)
7	98-5130	1	Decal - Torque
8	43-8480	1	Decal-Danger
9	103-0036	1	32" Ce Deck w/Decals ASM
10	32128-20	12	Nut-HF
11	66-1340	1	Decal-Danger
12	322-2	8	Screw-HH
14	E302189	1	Baffle Weldment,Dogleg
15	E304256	1	Discharge Chute w/Decal
16	54-9220	1	Decal-Danger
17	98-3281	1	Spacer-Spring
18	98-3280	1	Spring-Deflector
19	3296-29	1	Nut-Lock, NI
20	323-8	6	Screw-HH
21	98-5975	6	Washer

Ref. No.	Part No.	Qty.	Description
22	3290-357	6	Nut-Flange, Lock
23	98-3296	1	Decal-Belt Routing
24	67-5360	1	Decal-Danger
25	E800289	1	Screw-Cap HH

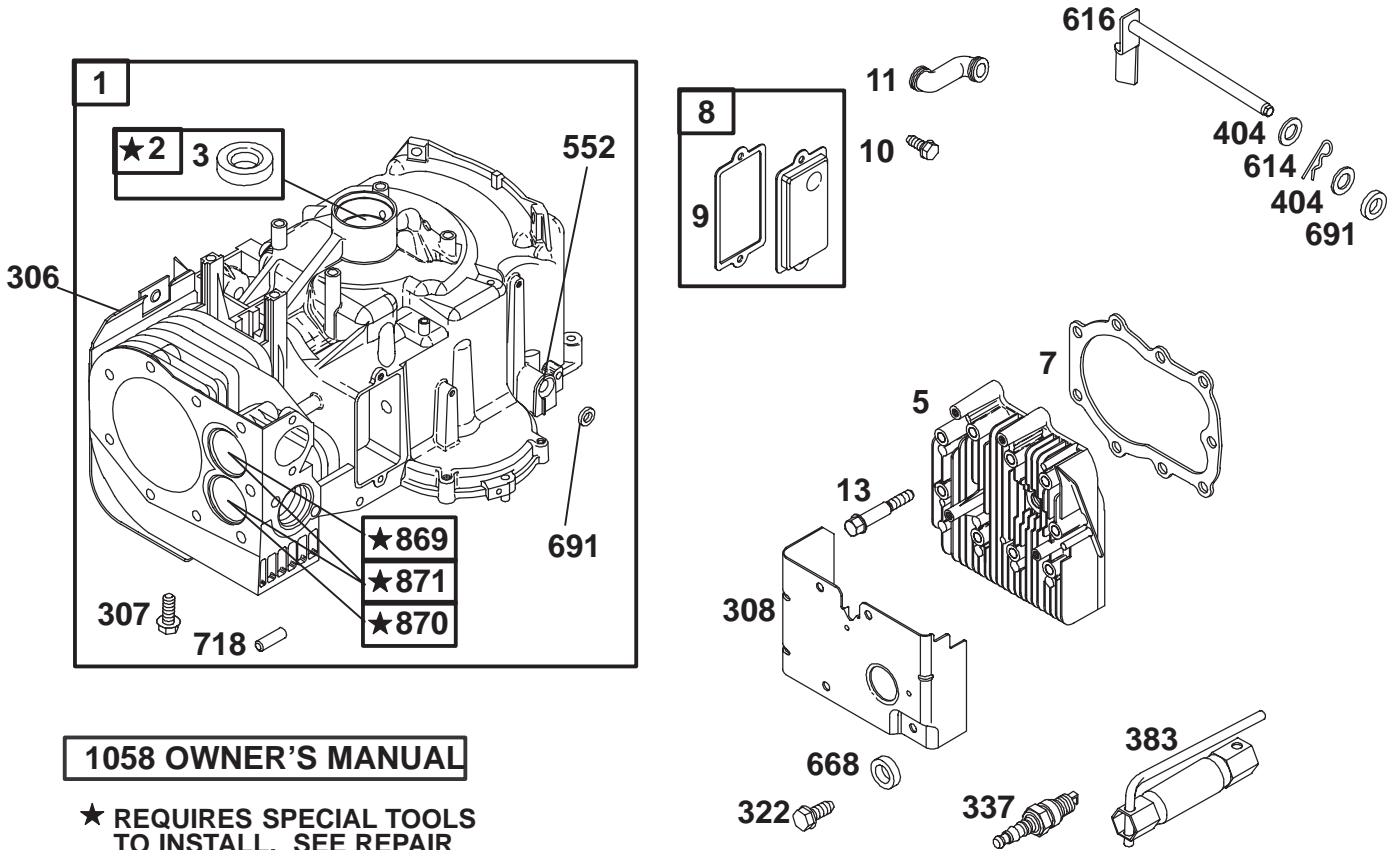


Sheet No.:7

Front Casters, & Blade Brake Assembly

Ref. No.	Part No.	Qty.	Description
1	E302194	2	Support Weldment,Caster
2	302-52	2	Grease Fitting 1/8-27
3	E513338	2	Wshr-Pltd
4	E303514	4	Bearing-Flanged
5	E303314	8	Spacer,10' Caster
6	E809020	2	Ring-Retaining
7	E322145	2	Fork Wldmnt, Pntd
8	325-20	2	Screw-HH
9		2	Wheel/Tire ASM
9:1	E513807	1	Assmbly - Wheel Hub
9:2	E513808	1	Tire-9 X 3.50-4 4 Ply
9:3	E513809	1	Bearing
9:4	E513810	2	Bushing
10	E513547	2	Spacer,Front Caster
11	3217-9	2	Nut-Hex
12	3253-7	2	Washer-Lock/Sp
13	E322154	2	Caster/Wheel Assy
14	E322153	2	Caster/Mount ASM
15	323-4	8	Screw-HH
16	3290-357	8	Nut-Flange, Lock
17	3296-42	2	Nut-Lock
18	302-19	1	Fitting - Grease
19	32128-20	3	Nut-HF
20	E323071	1	Spring
21	322-6	1	Screw-HH

Ref. No.	Part No.	Qty.	Description
22	E324408	1	Engagement Arm w/Bushings
23	E323729	2	Bearing-Sleeve
24	E303348	1	Eye Bolt, LH Thread
25	E303434	1	Bushing
26	E603843	1	Pulley-Idler
27	98-5975	1	Washer
28	323-10	1	Screw-HH
29	E808280	1	Pin-Clevis
30	E303105	1	Yoke-Adjustable
31	3290-307	3	Hairpin
32	E323303	1	Linkage-Assist Arm,Pltd
33	E322235	1	Assist Arm ASM
34	E303238	1	Eye Bolt,RH Thread
35	E303236	1	Turnbuckle Body
36	32151-103	1	Ring-Snap
37	3296-29	1	Nut-Lock, NI
38	3256-3	1	Washer-Flat
39	E403179	1	Tube-Pivot
40	3256-23	1	Washer-Flat
41	E808512	1	E-Ring
42	E323718	1	Rod-Brake
43	321-4	2	Screw-HH
44	E323747	1	Spring-Compression
45	E323746	1	Spacer-Flanged



1058 OWNER'S MANUAL

★ REQUIRES SPECIAL TOOLS TO INSTALL. SEE REPAIR INSTRUCTION MANUAL.

Assemblies include all parts shown in frames.

Sheet No.:

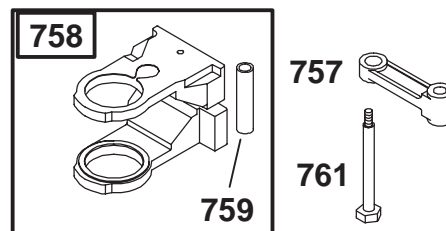
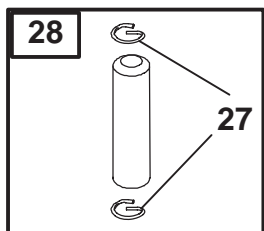
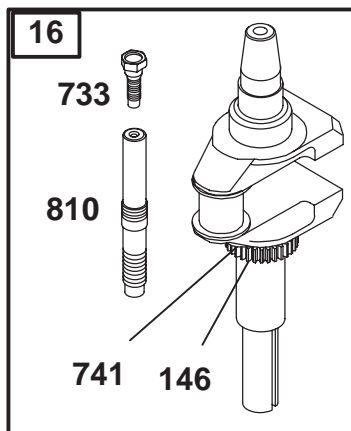
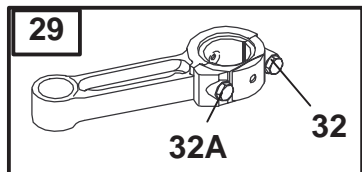
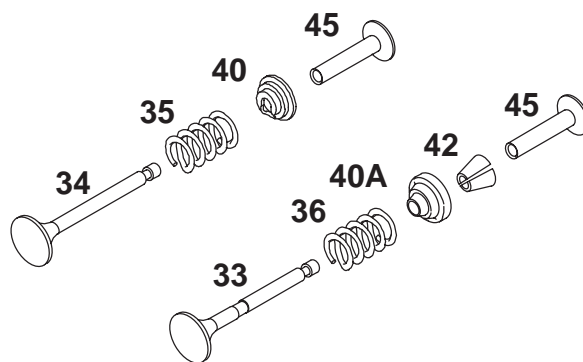
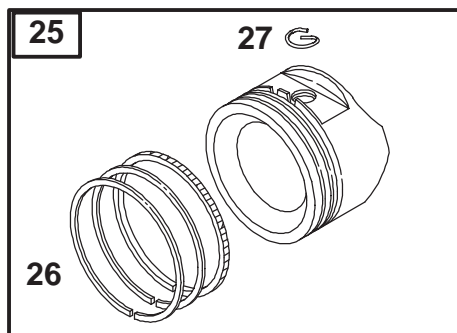
ENGINE BRIGGS & STRATTON MODEL 28B702-1041-E1

Ref. No.	Part No.	Qty.	Description
1	496413	1	Cylinder Assembly
2	399265	1	Bearing/Seal Kit
★3	391086	1	Oil Seal
5	494240	1	Cylinder Head
Δ★7	271866	1	Cylinder Head Gasket
8	495735	1	Breather Assembly
Δ★9	27803	1	Valve Cover Gasket
10	691666	1	Screw (Breather Assembly)
11	280100	1	Breather Tube
13	94622	1	Screw (Cylinder Head)
306	690459	1	Cylinder Shield
307	94930	1	Screw (Cylinder Shield)
308	491490	1	Cylinder Head Cover
322	94786	1	Screw (Cylinder Head Cover)
337	802592	1	Spark Plug
383	89838	1	Spark Plug Wrench
404	94927	1	Washer (Governor Crank)
552	491986	1	Governor Crank Bushing
614	93306	1	Cotter Pin
616	495157	1	Governor Crank
668	690510	1	Spacer
★691	491323	1	Governor Shaft Seal

Ref. No.	Part No.	Qty.	Description
718	230192	1	Locating Pin
869	261463	1	Valve Seat (Intake)
870	262924	1	Valve Seat (Exhaust)
871	261961	1	Bushing Guide (Exhaust Valve)
	231218	1	Bushing Guide (Intake Valve, Brass)
1058	274269	1	Owner's Manual

Δ Included in Valve Overhaul Gasket Set-Ref. 1095.
 ★ Included in Engine Gasket Set-Ref. 358.

● Included in Carburetor Overhaul Kit-Ref. 121.
 ◆ Included in Carburetor Gasket Set-Ref. 977.



Sheet No.:

ENGINE BRIGGS & STRATTON MODEL 28B702-1041-E1

Ref. No.	Part No.	Qty.	Description
16	693944	1	Crankshaft
24	222698	1	Flywheel Key
25	499282	1	Piston Assembly (Standard)
	394662	1	Piston Assembly (.010 O.S.)
	394663	1	Piston Assembly (.020 O.S.)
	394664	1	Piston Assembly (.030 O.S.)
26	391780	1	Ring Set (Standard)
	392331	1	Ring Set (Standard, Chrome)
	391781	1	Ring Set (.010 O.S.)
	391782	1	Ring Set (.020 O.S.)
	499999	1	Ring Set (.030 O.S.)
27	691299	1	Piston Pin Lock
28	498319	1	Piston Pin (Standard)
	498320	1	Piston Pin (.005 O.S.)
29	494504	1	Connecting Rod (Standard)
	495490	1	Connecting Rod (.020 Undersize)
32	691133	1	Screw (Connecting Rod 1 7/8")

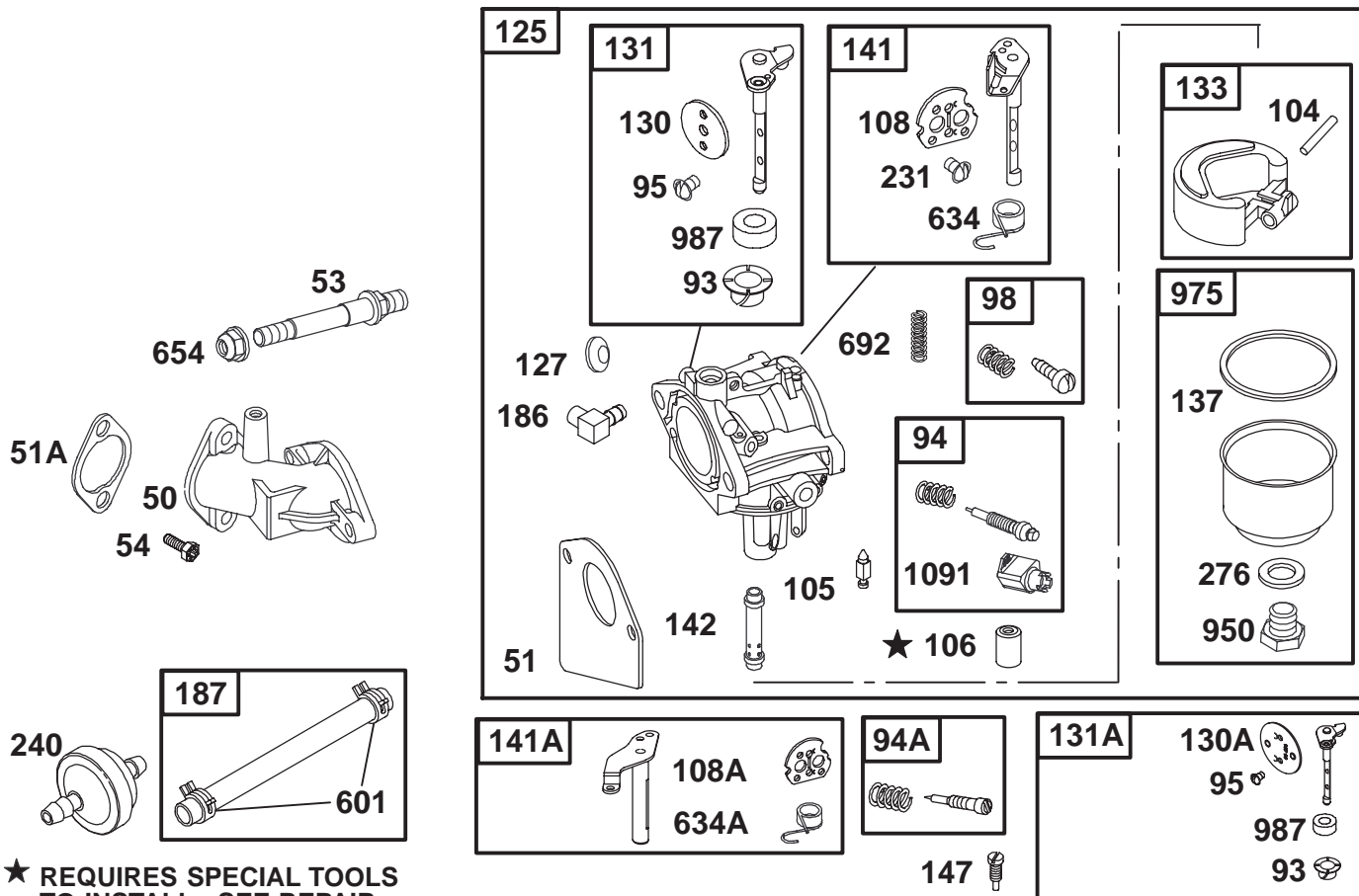
Ref. No.	Part No.	Qty.	Description
32A	690348	1	Screw (Connecting Rod 1 5/8")
33	262246	1	Exhaust Valve
34	262247	1	Intake Valve
35	65906	1	Valve Spring (Intake)
36	26828	1	Valve Spring (Exhaust)
40	221596	1	Valve Retainer
40A	292260	1	Valve Retainer
42	494553	1	Valve Keeper
45	262248	1	Valve Keeper
146	94196	1	Timing Key
733	94673	1	Screw (Crankshaft Extension)
741	691284	1	Timing Gear
757	213998	1	Counterweight Link
758	399891	1	Counterweight
759	691239	1	Counterweight Pin
761	691096	1	Screw (Counterweight)
810	231828	1	Crankshaft Extension

△ Included in Valve Overhaul Gasket Set-Ref. 1095.

★ Included in Engine Gasket Set-Ref. 358.

● Included in Carburetor Overhaul Kit-Ref. 121.

◆ Included in Carburetor Gasket Set-Ref. 977.



★ REQUIRES SPECIAL TOOLS TO INSTALL. SEE REPAIR INSTRUCTION MANUAL.

Assemblies include all parts shown in frames.

Sheet No.:

ENGINE BRIGGS & STRATTON MODEL 28B702-1041-E1

Ref. No.	Part No.	Qty.	Description
50	213819	1	Intake Manifold
◆51	272465	1	Intake Gasket
Δ★51A	272554	1	Intake Gasket
53	691098	1	Stud (Carburetor)
54	94913	1	Screw (Intake Manifold)
●93	690602	1	Throttle Shaft Bushing
94	498030	1	Idle Mixture Kit
94A	496589	1	Idle Mixture Kit
●95	94098	1	Screw (Throttle Valve)
98	495800	1	Idle Speed Kit
●104	690525	1	Float Hinge Pin
●105	231855	1	Float Needle Valve
●106	231854	1	Inlet Seat
108	692344	1	Choke Valve (Manual Choke)
108A	690467	1	Valve-Choke (Choke A Matic)
125	498027	1	Carburetor
●127	695005	1	Welch Plug
130	690468	1	Throttle Valve
130A	224539	1	Throttle Valve
131	494885	1	Throttle Shaft Kit
131A	494379	1	Throttle Shaft Kit
133	494381	1	Carburetor Float
◆137	281165	1	Float Bowl Gasket

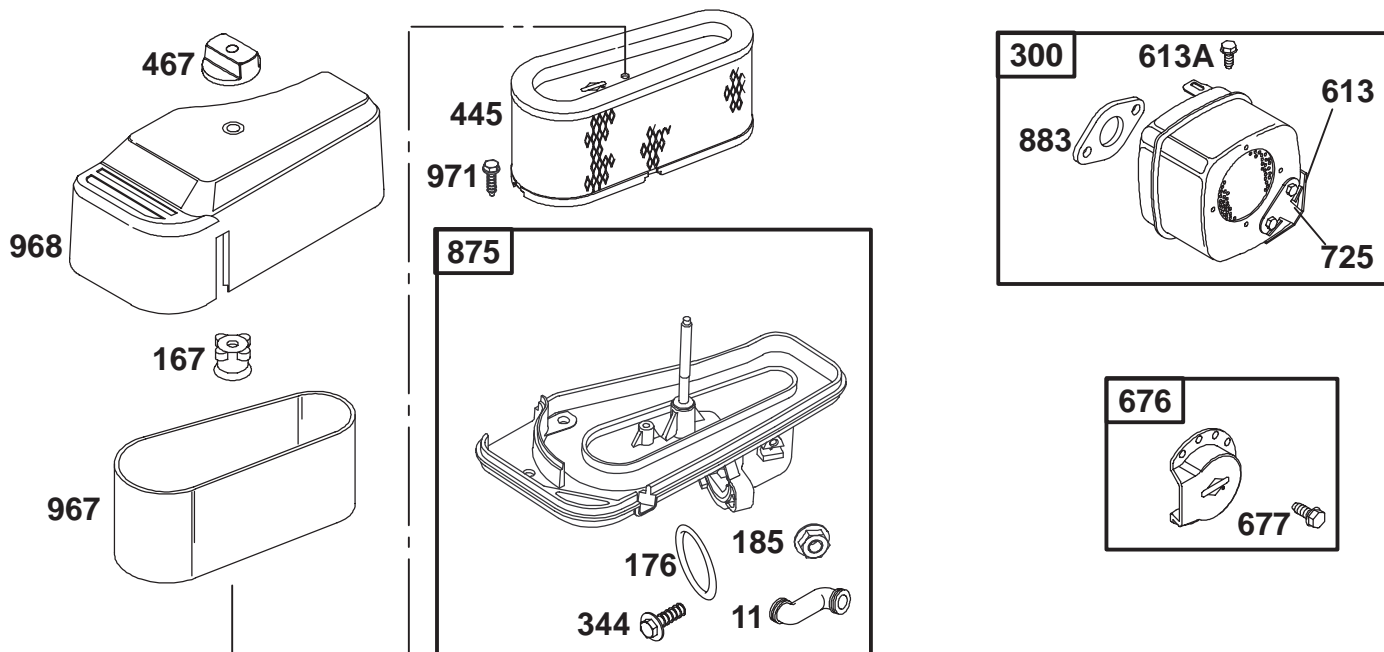
Ref. No.	Part No.	Qty.	Description
141	495097	1	Choke Shaft Kit (Manual Choke)
141A	495931	1	Choke Shaft Kit (Choke A Matic)
●142	499037	1	Carburetor Nozzle
●147	497472	1	Pilot Jet
186	493496	1	Hose Connector
187	298049	1	Fuel Line (Cut to Required Length)
240	298090	1	Filter-Fuel
◆276	281164	1	Sealing Washer
601	93053	1	Hose Clamp
●634	690801	1	Spring/Seal Assembly
●634A	690802	1	Spring/Seal Assembly
654	94010	1	Nut (Carburetor)
950	94642	1	Float Bowl Screw
975	495933	1	Float Bowl
●987	691326	1	Throttle Shaft Seal
1091	691333	1	Limiter Cap

Δ Included in Valve Overhaul Gasket Set-Ref. 1095.

★ Included in Engine Gasket Set-Ref. 358.

● Included in Carburetor Overhaul Kit-Ref. 121.

◆ Included in Carburetor Gasket Set-Ref. 977.



Assemblies include all parts shown in frames.

Sheet No.:

ENGINE BRIGGS & STRATTON MODEL 28B702-1041-E1

Ref. No.	Part No.	Qty.	Description
11	280100	1	Breather Tube
167	281051	1	Seal
★176	281106	1	O-Ring Seal (Air Cleaner Base)
185	94010	1	Nut (Air Cleaner Base)
300	491413	1	Exhaust Muffler
344	693675	1	Screw (Cable Clamp)
445	493910	1	Air Cleaner Cartridge Filter
467	493903	1	Air Cleaner Knob
613	93927	1	Screw-(Exhaust
613A	94786	1	Screw (Exhaust Muffler)
676	393761	1	Muffler Deflector
677	94896	1	Screw (Muffler Deflector)
725	690420	1	Heat Shield
875	693670	1	Air Cleaner Base (Use with Walbro Carburetor)
	694942	1	Air Cleaner Base (Use with Nikki Carburetor)
967	272477	1	Pre-Cleaner Filter
968	691324	1	Air Cleaner Cover

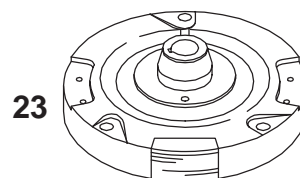
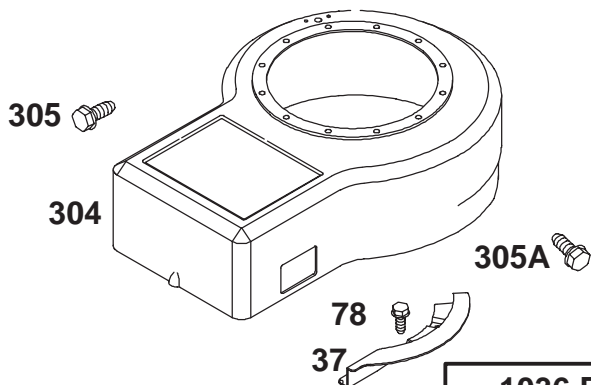
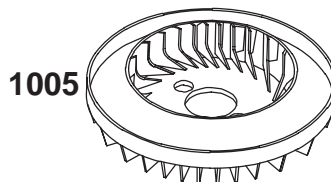
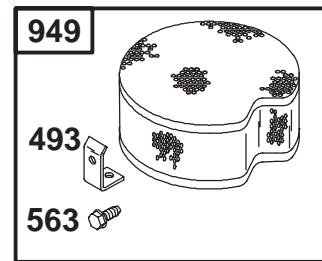
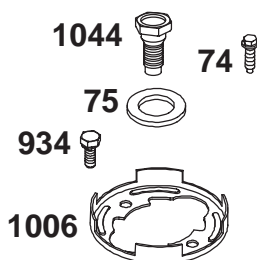
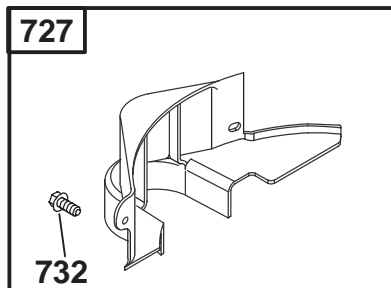
Ref. No.	Part No.	Qty.	Description
971	692126	1	Screw (Air Cleaner Base)

△ Included in Valve Overhaul Gasket Set-Ref. 1095.

★ Included in Engine Gasket Set-Ref. 358.

● Included in Carburetor Overhaul Kit-Ref. 121.

◆ Included in Carburetor Gasket Set-Ref. 977.



1036 EMISSIONS LABEL

Assemblies include all parts shown in frames.

Sheet No.:

ENGINE BRIGGS & STRATTON MODEL 28B702-1041-E1

Ref. No.	Part No.	Qty.	Description
23	693555	1	Flywheel
37	690456	1	Flywheel Guard
74	93758	1	Screw (Rotating Screen)
75	225136	1	Washer (Flywheel)
78	94896	1	Screw (Flywheel Guard)
304	690846	1	Blower Housing
305	94786	1	Screw (Blower Housing)
305A	692127	1	Screw (Blower Housing)
318	93067	1	Screw (Mounting Bracket)
363	19203	1	Flywheel Puller
493	690426	1	Mounting Bracket
563	94902	1	Screw (Debris Screen Guard)
727	490324	1	Starter Drive Cover
732	94896	1	Screw (Starter Drive Cover)
934	94627	1	Screw (Fan Retainer)
1005	280687	1	Flywheel Fan
1006	690452	1	Fan Retainer
1036	694325	1	Emissions Label

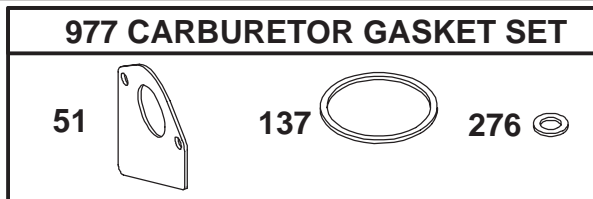
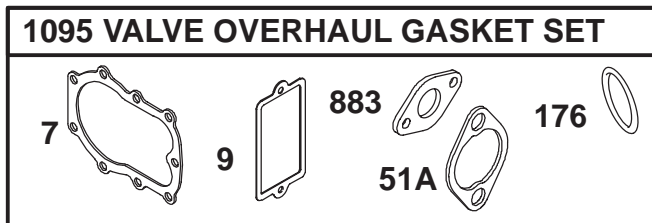
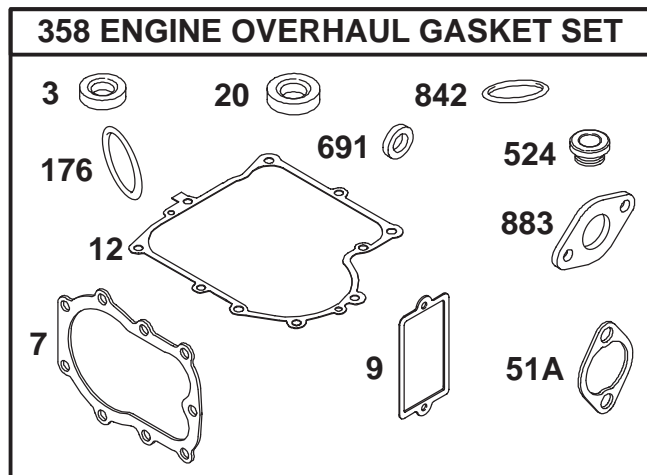
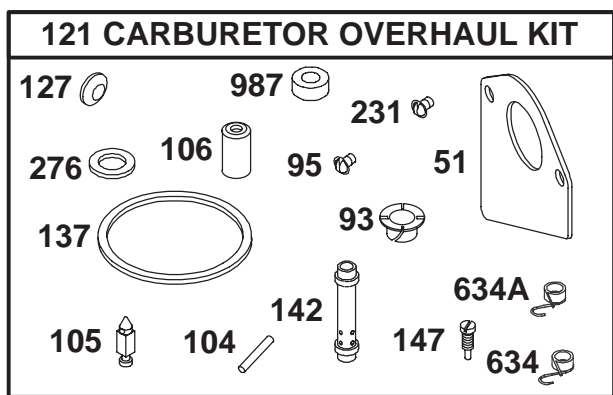
Ref. No.	Part No.	Qty.	Description
1044	94673	1	Screw (Flywheel)

△ Included in Valve Overhaul Gasket Set-Ref. 1095.

★ Included in Engine Gasket Set-Ref. 358.

● Included in Carburetor Overhaul Kit-Ref. 121.

◆ Included in Carburetor Gasket Set-Ref. 977.



Assemblies include all parts shown in frames.

Sheet No.:

ENGINE BRIGGS & STRATTON MODEL 28B702-1041-E1

Ref. No.	Part No.	Qty.	Description
★3	391086	1	Oil Seal
△★7	271866	1	Cylinder Head Gasket
△★9	27803	1	Valve Cover Gasket
★12	271916	1	Crankcase Gasket (.015 Thick)
★	271997	1	Crankcase Gasket (.005 Thick)
★	271996	1	Crankcase Gasket (.009 Thick)
★20	291675	1	Oil Seal
●◆51	272465	1	Intake Gasket
△★51A	272554	1	Intake Gasket
●93	690602	1	Throttle Shaft Bushing
●95	94098	1	Screw (Throttle Valve)
●104	690525	1	Float Hinge Pin
●105	231855	1	Float Needle Valve
●106	231854	1	Inlet Seat
121	499220	1	Carburetor Overhaul Kit
●127	695005	1	Welch Plug
●◆137	281165	1	Float Bowl Gasket
●142	499037	1	Carburetor Nozzle
●147	497472	1	Pilot Jet
★176	281106	1	O-Ring Seal (Air Cleaner Base)
●231	94098	1	Seal (Choke Valve)

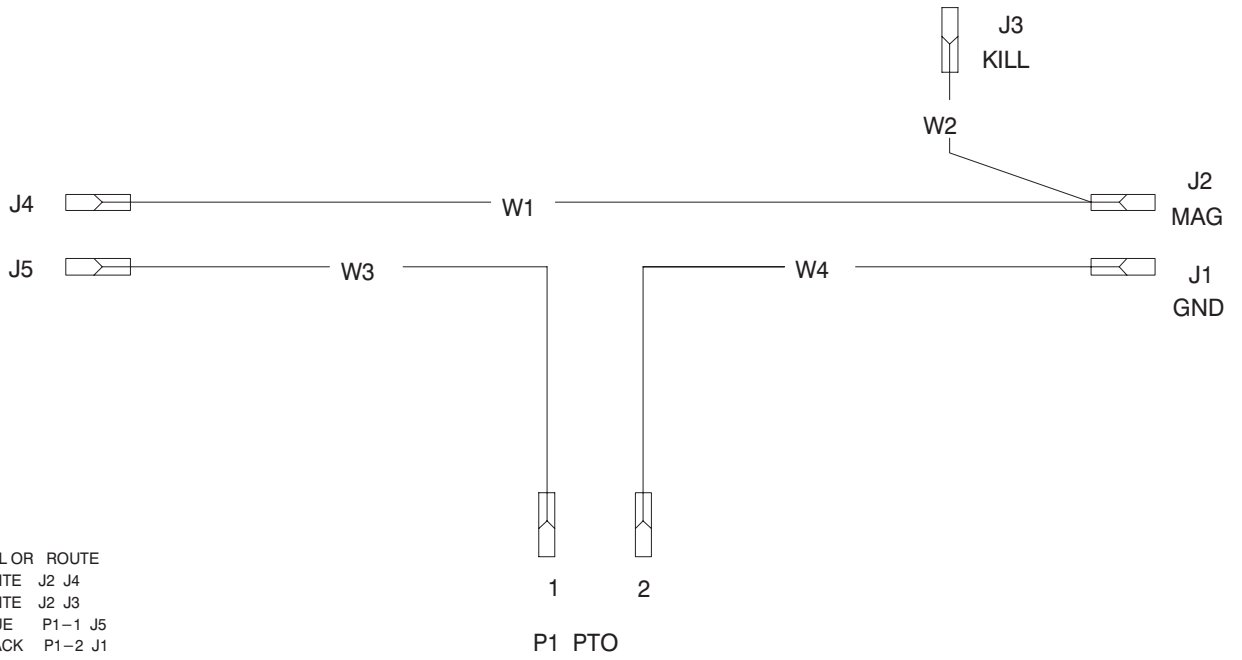
Ref. No.	Part No.	Qty.	Description
●◆276	281164	1	Sealing Washer
358	494241	1	Engine Gasket Set
★524	281370	1	Dipstick Tube Seal
●634	690801	1	Spring/Seal Assembly
●634A	690802	1	Spring/Seal Assembly
★691	491323	1	Governor Shaft Seal
★842	270920	1	Dipstick/Tube Seal
△★883	272293	1	Exhaust Gasket
977	494385	1	Carburetor Gasket Set
●987	691326	1	Throttle Shaft Seal
1095	498539	1	Valve Overhaul Gasket Set

△ Included in Valve Overhaul Gasket Set-Ref. 1095.

★ Included in Engine Gasket Set-Ref. 358.

● Included in Carburetor Overhaul Kit-Ref. 121.

◆ Included in Carburetor Gasket Set-Ref. 977.

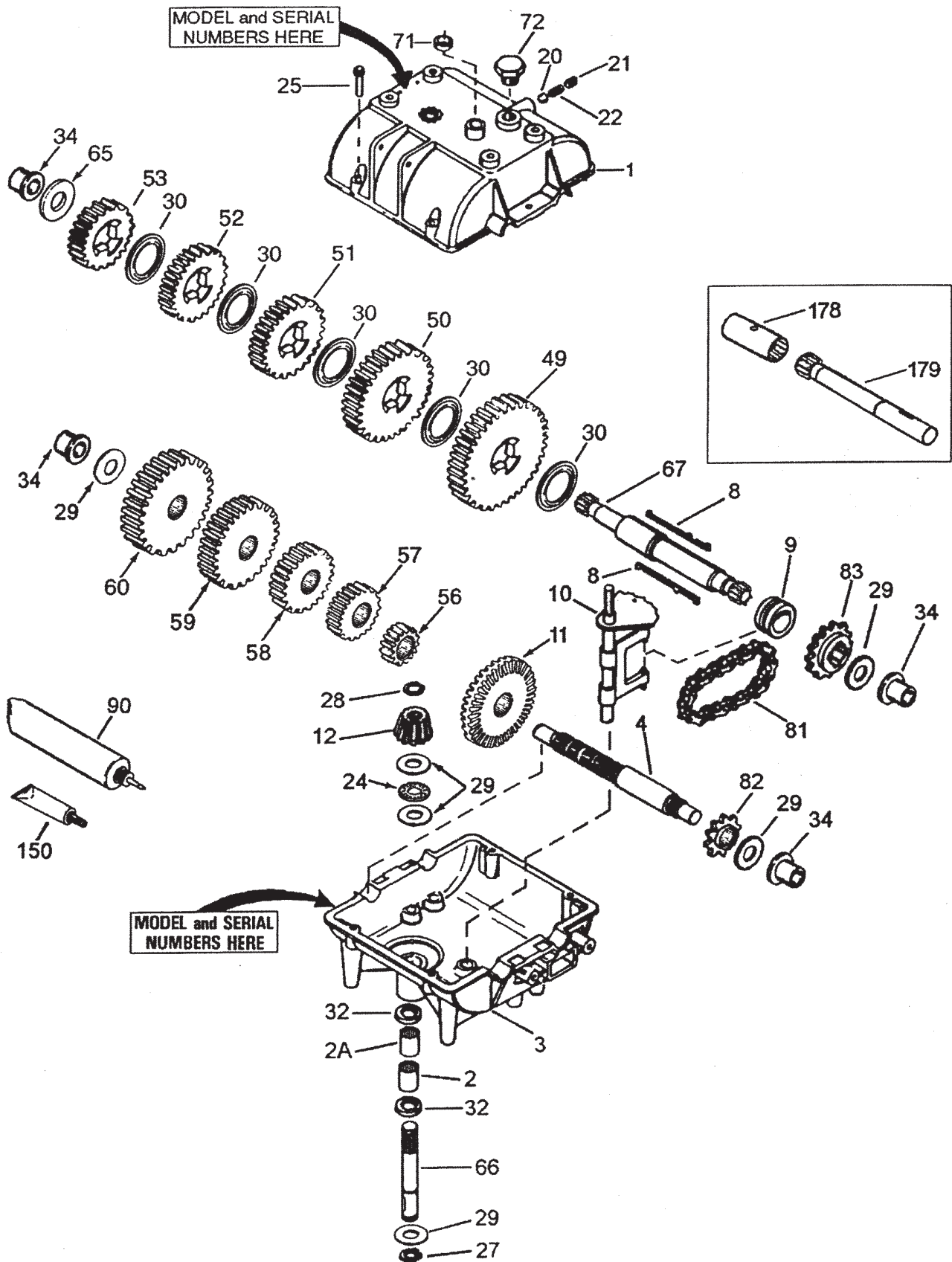


Wiring Schematic

Ref. No.	Part No.	Qty.	Description

Ref. No.	Part No.	Qty.	Description

PEERLESS TRANSMISSION MODEL 700-070A



PEERLESS TRANSMISSION MODEL 700-070A

Ref. No.	Part No.	Description	No. Used	Ref. No.	Part No.	Description	No. Used
1	772083A	Transmission Cover	1	52	778124A	Spur Gear (30 Teeth)	1
2	780086A	Needle Bearing	1	53	778123A	Spur Gear (25 Teeth)	1
2A	780142	Needle Bearing	1	56	778145	Spur Gear (12 Teeth-Steel)	1
3	770061A	Transmission Case	1	57	778151	Spur Gear (15 Teeth)	1
4	776134	Countershaft	1	58	778240	Spur Gear (18 Teeth-Steel)	1
8	792089A	Shift Key	4	59	778126A	Spur Gear (20 Teeth)	1
9	784266	Shift Collar	1	60	778127A	Spur Gear (25 Teeth)	1
10	784376	Shift Rod & Fork	1	65	780139	Washer	1
11	778154	Bevel Gear (42 Teeth)	1	66	776135	Input Shaft (3-11/16" long)	1
12	778176	Bevel Pinion (14 Teeth- Steel)	1	67	776402	Shifter & Brake Shaft	1
20	792077A	Ball 5/16" Dia.	1	71	788069	Square Cut Ring	1
21	792078	Set Screw	1	72	792074	Threaded Plug	1
22	792079	Spring	1	81	786081	Roller Chain (No. 41 Chain, 24 Links)	1
24	780071	Thrust Bearing	1	82	786082	Sprocket (9 Teeth)	1
25	792073A	Screw	6	83	786083	Sprocket (18 Teeth)	1
27	792035	Retaining Ring	1	90	788067B	Grease (32 oz. Bottle Bentonite Grease)	1
28	788040	Retaining Ring	1	150	510334	Gasket Eliminator (Loctite #515)	1
29	780072	Washer	6	178	786176	Coupling (Optional)	1
30	780108	Washer	5	179	776401	Connector Shaft (Optional)	1
32	792001	O-Ring	2				
34	780105A	Flanged Bushing	4				
49	778146A	Spur Gear (37 Teeth)	1				
50	778125	Spur Gear (35 Teeth)	1				
51	778239A	Spur Gear (32 Teeth-Steel)	1				

