



Count on it.

Parts Catalog

Aerator 686

Model No. 44856—Serial No. 402900001 and Up



Ordering Replacement Parts

To order replacement parts, please supply the part number, the quantity, and the description of each part desired.

Understanding Reference Numbers

Each identified part in an illustration has a reference number. The reference number for a part also appears in the parts list, along with other information about the part.

This catalog uses two special reference number formats, one to indicate parts in a service assembly and another to indicate the quantity of a given part in an illustration.

Service Assembly Reference Numbers

Parts in service assemblies have reference numbers in the form a:b. The a represents the reference number of the entire service assembly and the b represents a sequential number unique to each part within the service assembly.

For example, a wheel assembly might be identified by reference number 6, the tire by 6:1, the valve by 6:2, and the wheel by 6:3. When you order the assembly identified by reference number 6, you receive all parts identified by reference numbers 6:1, 6:2, and 6:3. However, you may also order any part individually. Reference numbers of this type appear in illustration and in parts lists.

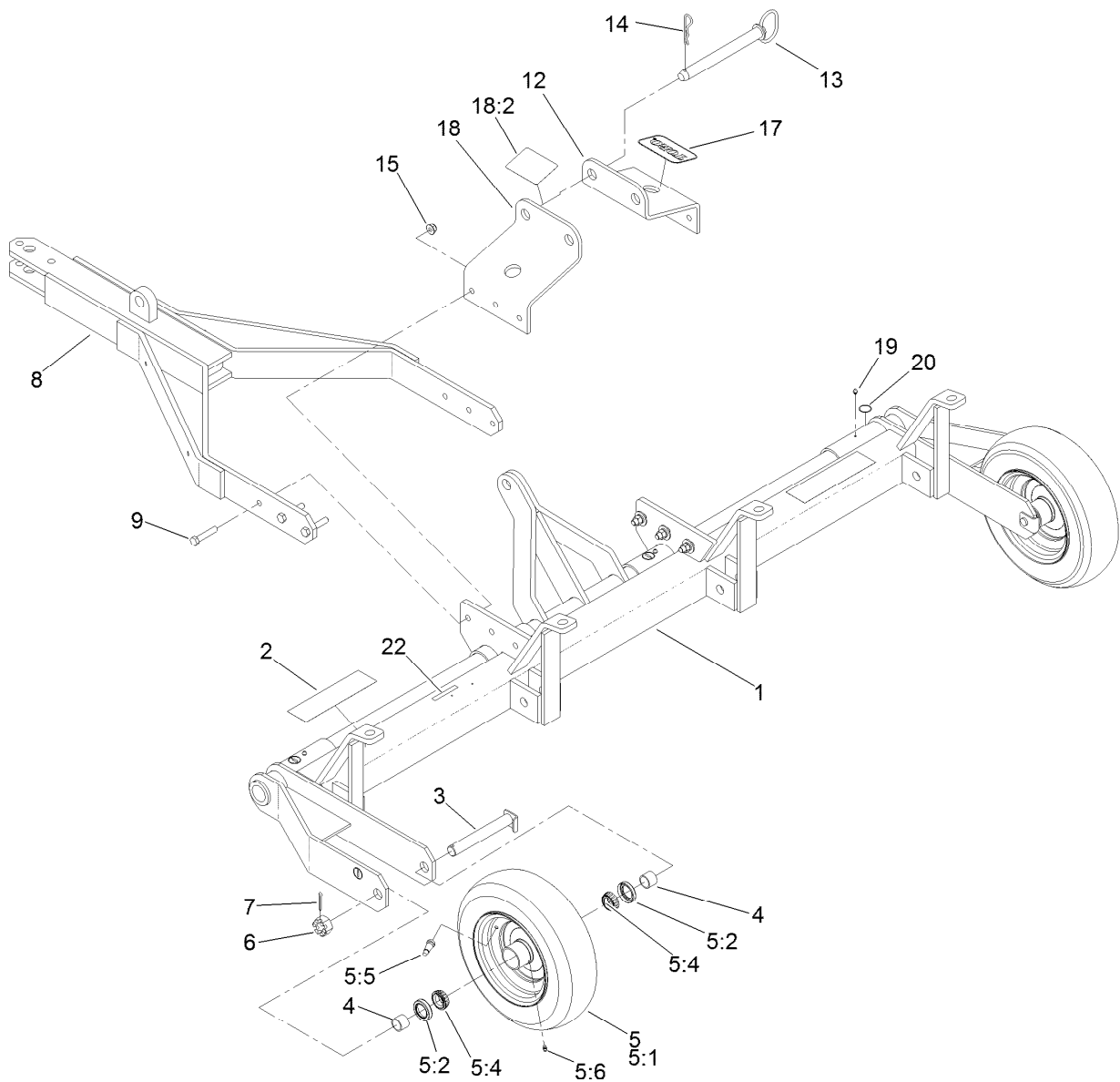
Reference Numbers Indicating Quantity

In an illustration, if a reference number indicates more than one part, the reference number has the form nX y. The n represents the quantity of the part, the X is the multiplication symbol, and the y represents the reference number.

For example, in an illustration, the reference number 2X 37 means that two of the parts identified by reference number 37 are indicated.

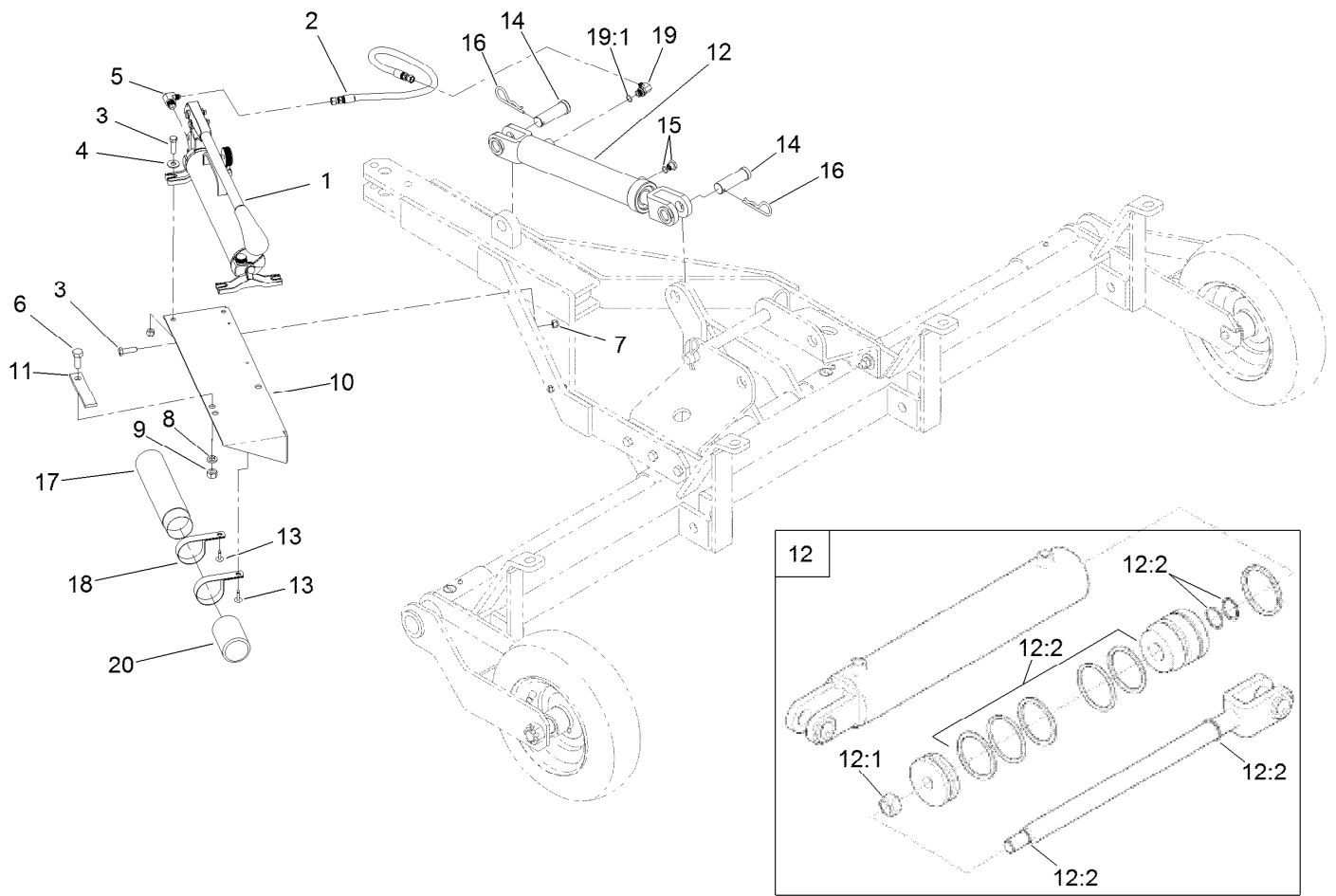
Contents

- Pull Frame Assembly 4
- Hand Pump and Cylinder Assembly 5
- Aeration Head Assembly..... 6
- Aerator Wheel Assembly..... 8
- Attachments and Accessories 9



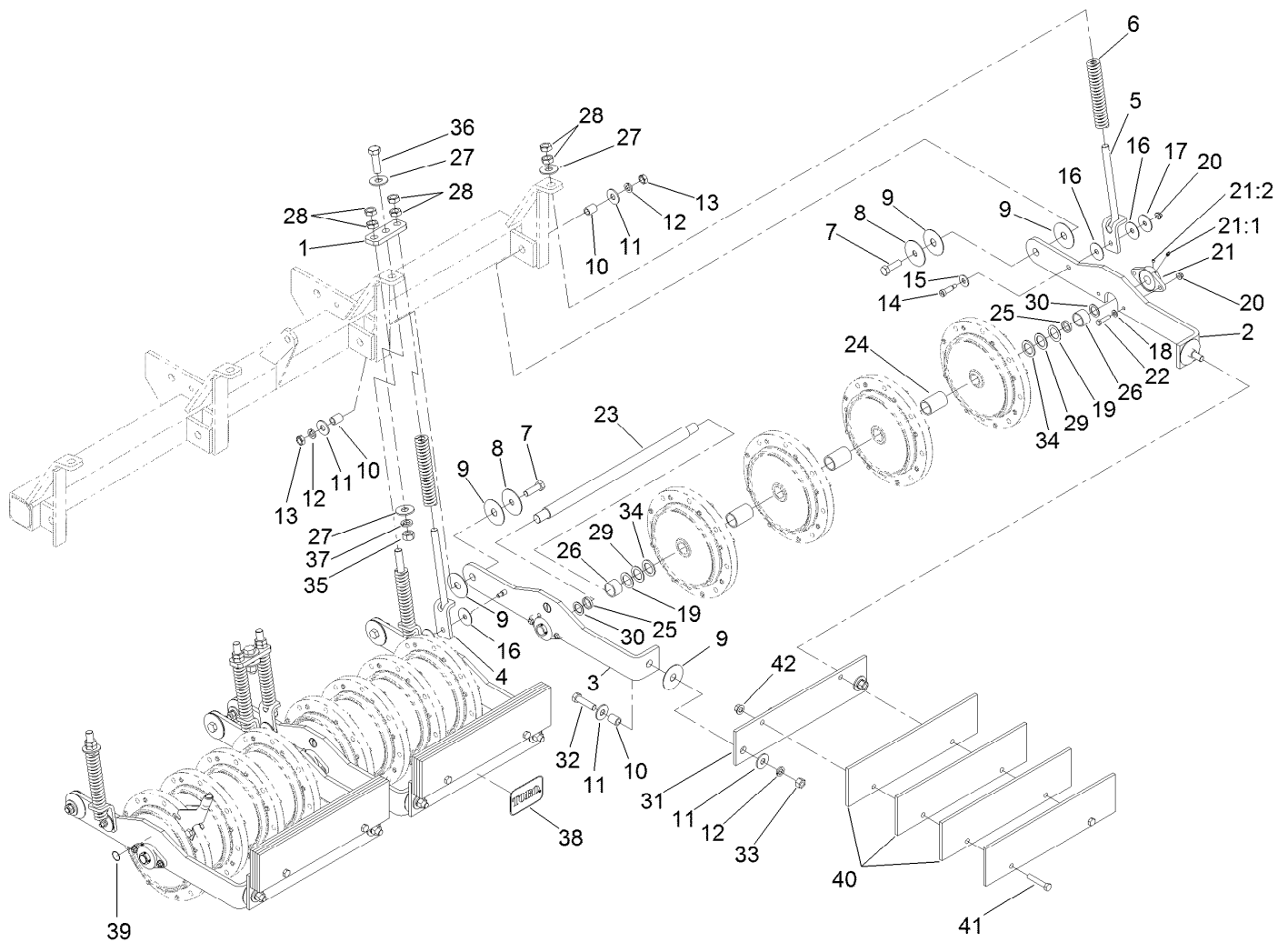
Pull Frame Assembly

<i>Ref.</i>	<i>Part Number</i>	<i>Qty.</i>	<i>Description</i>	<i>Ref.</i>	<i>Part Number</i>	<i>Qty.</i>	<i>Description</i>
1	68-605-3053-01	1	Frame-Main	8	68-605-3102-01	1	Tongue
2	01-506-0680	2	Decal	9	325-9	6	Screw-HH
3	68-605-3701	2	Shaft-Axle	12	68-604-3532-01	1	Bar-Lock, Transport
4	68-604-3321	4	Spacer-Wheel	13	01-252-0060	1	Pin-Hitch
5	01-269-0230	2	Tire & Wheel	14	01-159-0060	1	Pin-Hair
5:1	106-9661	1	Tire	15	99-5107	6	Nut-Lock
5:2	93-9807	2	Seal-Oil	17	67-1300	1	Decal
5:4	254-94	2	Bearing-Cone, Tapered	18	106-0268	1	Transport Lock Bar ASM
5:5	232-35	1	Valve Stem And Cap ASM	18:2	106-0229	1	Decal-Warning
5:6	302-5	1	Fitting-Grease	19	302-63	4	Fitting-Grease, Zerk
6	01-190-1614	2	Nut-Hex, Slotted	20	58-6520	6	Decal-Grease
7	3272-23	2	Pin-Cotter	22	133-8061	1	Decal-Warning



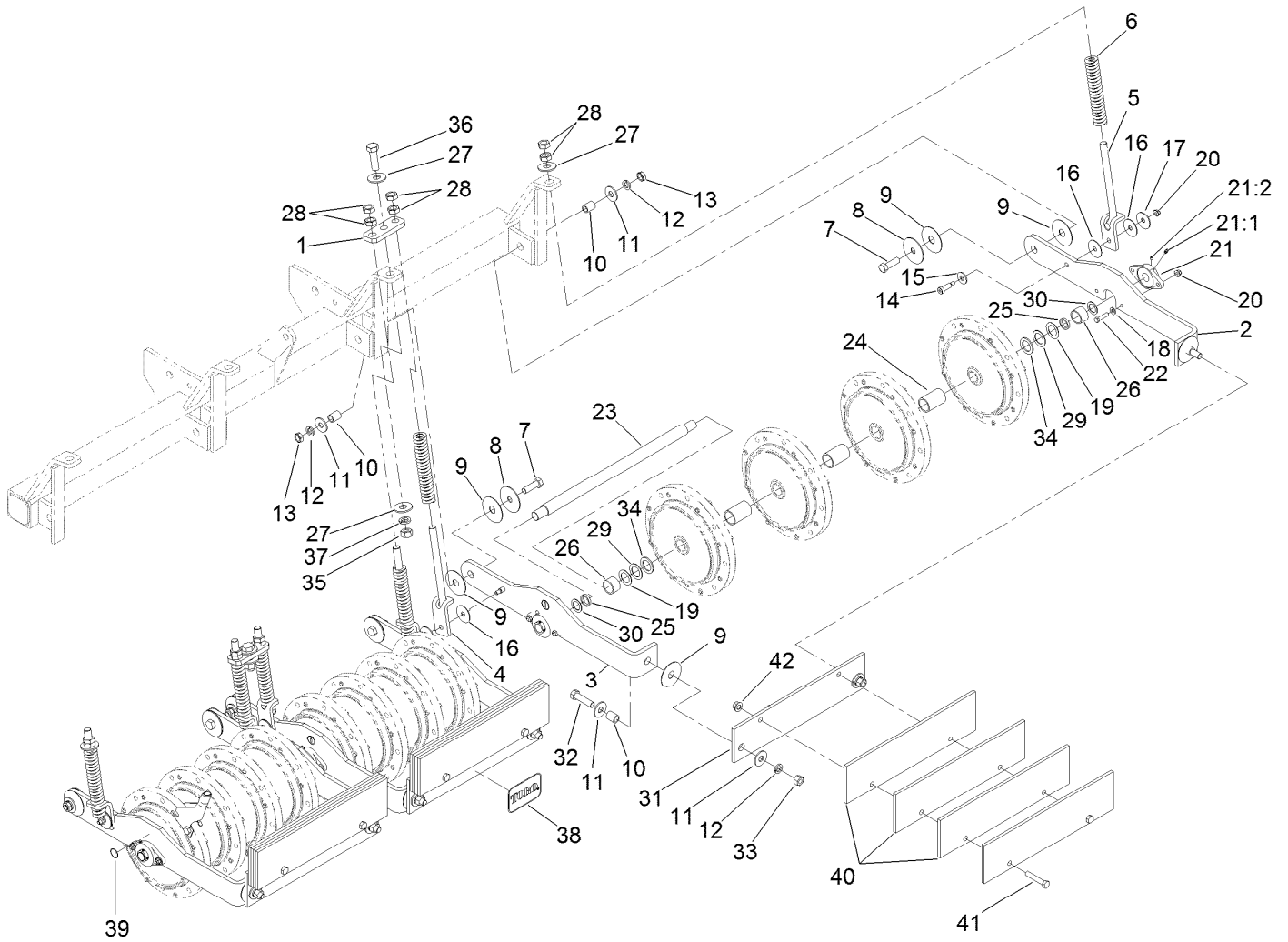
Hand Pump and Cylinder Assembly

<i>Ref.</i>	<i>Part Number</i>	<i>Qty.</i>	<i>Description</i>	<i>Ref.</i>	<i>Part Number</i>	<i>Qty.</i>	<i>Description</i>
1	01-305-0040	1	Pump-Hand	12:1	22-8560	1	Locknut
2	01-312-0500	1	Hose-HYD	12:2	121-6443	1	Seal Kit
3	323-7	4	Screw-HH	13	01-161-0020	2	Rivet-Pop
4	3256-4	2	Washer-Flat	14	26-8590	2	Pin-Cylinder
5	01-201-0190	1	Fitting-HYD	15	100-9962	1	Fitting-Vent
6	325-5	1	Screw-HH	16	3290-256	2	Pin-Hair
7	3296-39	4	Nut-Lock, NI	17	104-7050	1	Tube-Manual
8	3253-7	1	Washer-Lock	18	2412-133	2	Clamp-R
9	3217-9	1	Nut-HH	19	340-134	1	Fitting-Elbow, 90
10	115-4939-01	1	Mount-Pump	19:1	237-42	1	O-Ring
11	68-604-3511-01	1	Vibration-Strap	20	104-7048	1	Cap-Housing
12	121-6642	1	Hydraulic Cylinder ASM				



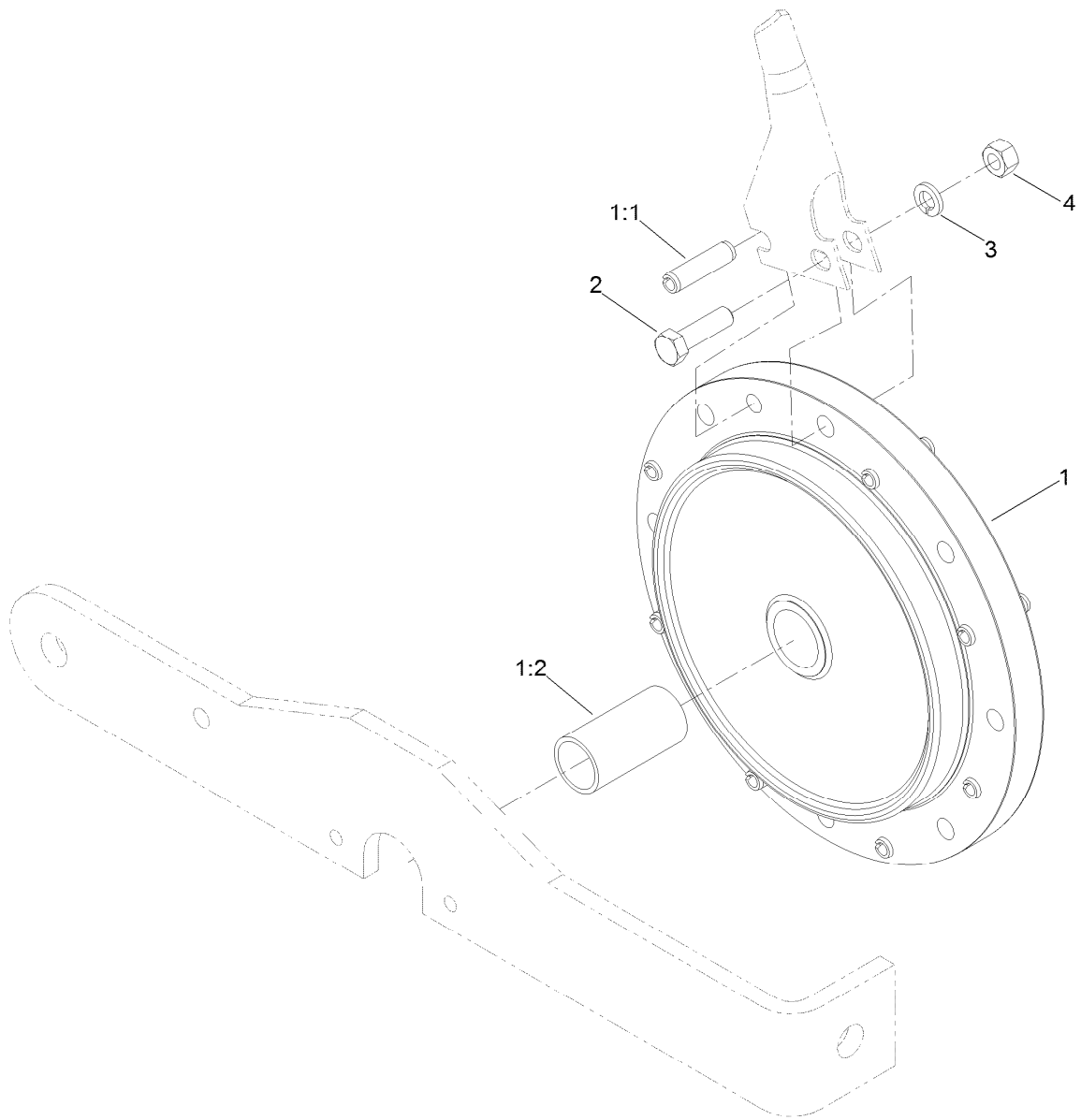
Aeration Head Assembly

Ref.	Part Number	Qty.	Description	Ref.	Part Number	Qty.	Description
1	68-604-3571-01	2	Mount-Spring	21:1	302-5	1	Fitting-Grease
2	95-0082-01	3	Arm-Main, RH	21:2	3245-35	2	Screw-Set, HSH
3	95-0081-01	3	Arm-Main, LH	22	323-8	12	Screw-HH
4	105-7893	4	Bracket-Spring, Inner	23	68-604-3181	3	Shaft-Aerator
5	105-7894	2	Bracket-Spring, Outer	24	68-604-3421	9	Spacer-Center
6	01-261-0190	6	Spring	25	68-604-3451	6	Spacer-Inside
7	327-6	6	Screw-HH	26	68-604-3431	6	Spacer-End
8	68-604-3481	6	Washer	27	3256-8	6	Washer-Flat
9	68-604-3151	18	Washer-Pivot	28	3218-7	12	Nut-Jam
10	01-125-0050	12	Bushing	29	01-168-2014	6	Bushing
11	3256-7	18	Washer-Flat	30	01-168-1614	6	Bushing
12	3253-8	12	Washer-Lock	31	68-604-3171-01	3	Arm-Main, End
13	3218-6	6	Nut-Jam	32	327-7	6	Screw-HH
14	01-158-0310	6	Bolt-Shoulder, Socket Head	33	3217-11	6	Nut-Hex
15	3256-6	6	Washer-Pivot	34	01-168-2010	6	Bushing
16	13-404-0221	12	Washer-Pivot	35	3217-12	2	Nut-Hex
17	68-604-3491	6	Washer	36	328-2	2	Screw-HH
18	3256-24	12	Washer-Flat	37	3253-9	2	Washer-Lock
19	01-168-2018	6	Bushing	38	67-1300	1	Decal
20	104-8301	18	Nut-HF, NI	39	58-6520	6	Decal-Grease
21	106-0289	6	Bearing-Flange	40	136-3875-01	12	Bar-Weight



Aeration Head Assembly (continued)

<i>Ref.</i>	<i>Part Number</i>	<i>Qty.</i>	<i>Description</i>
41	325-11	6	Screw-HH
42	99-5107	6	Nut-Lock



Aerator Wheel Assembly

Ref.	Part Number	Qty.	Description
1	44-004-0262	12	Aerator Wheel ASM
1:1	32121-122	8	Pin-Roll
1:2	01-126-0030	1	Bushing
2	325-7	96	Screw-HH
3	3253-7	96	Washer-Lock
4	3217-9	96	Nut-HH

Attachments and Accessories

For 44856 Aerator 686

Product Name	Model/Part
4 Inch slicing Blade	01-283-0030
6 Inch slicing Blade	01-283-0040
Jack Kit, Aerator 686	106-9660
Tine-open, 1/2 Inch	108-9296
Tine-closed, 1/2 Inch	108-9297
Tine-open, 3/4 Inch	108-9298
Tine-closed, 3/4 Inch	108-9299
Tractor Remote Kit.....	68-608-3521
CE Update Kit, Aerator 686 and 687	95-3350

Notes:

Notes:



Count on it.