



**Count on it.**

**Parts Catalog**

**Aerator 686**

Model No. 44856—Serial No. 40000000 and Up



# Ordering Replacement Parts

To order replacement parts, please supply the part number, the quantity, and the description of each part desired.

## Understanding Reference Numbers

Each identified part in an illustration has a reference number. The reference number for a part also appears in the parts list, along with other information about the part.

This catalog uses two special reference number formats, one to indicate parts in a service assembly and another to indicate the quantity of a given part in an illustration.

## Service Assembly Reference Numbers

Parts in service assemblies have reference numbers in the form a:b. The a represents the reference number of the entire service assembly and the b represents a sequential number unique to each part within the service assembly.

For example, a wheel assembly might be identified by reference number 6, the tire by 6:1, the valve by 6:2, and the wheel by 6:3. When you order the assembly identified by reference number 6, you receive all parts identified by reference numbers 6:1, 6:2, and 6:3. However, you may also order any part individually. Reference numbers of this type appear in illustration and in parts lists.

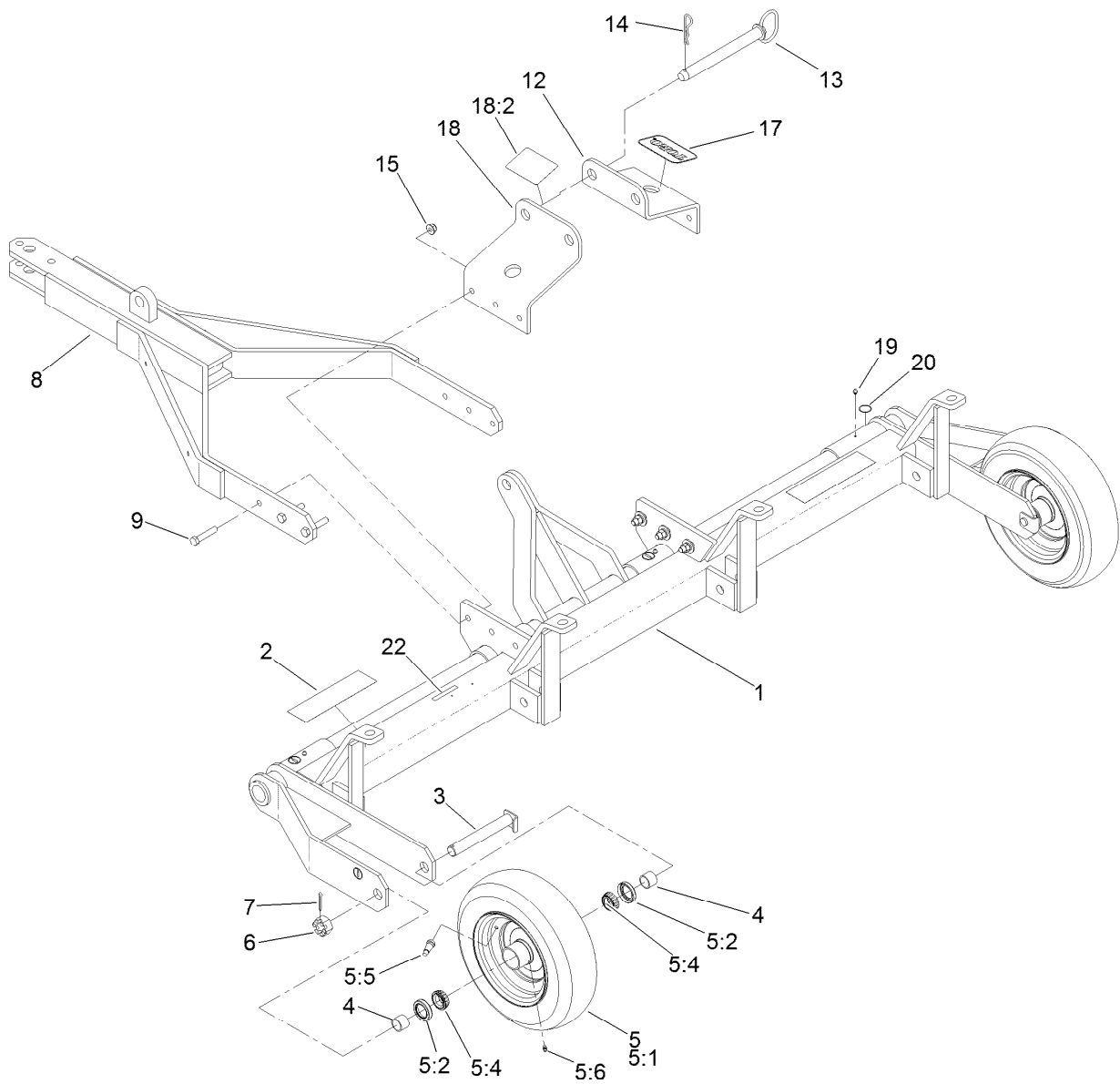
## Reference Numbers Indicating Quantity

In an illustration, if a reference number indicates more than one part, the reference number has the form nX y. The n represents the quantity of the part, the X is the multiplication symbol, and the y represents the reference number.

For example, in an illustration, the reference number 2X 37 means that two of the parts identified by reference number 37 are indicated.

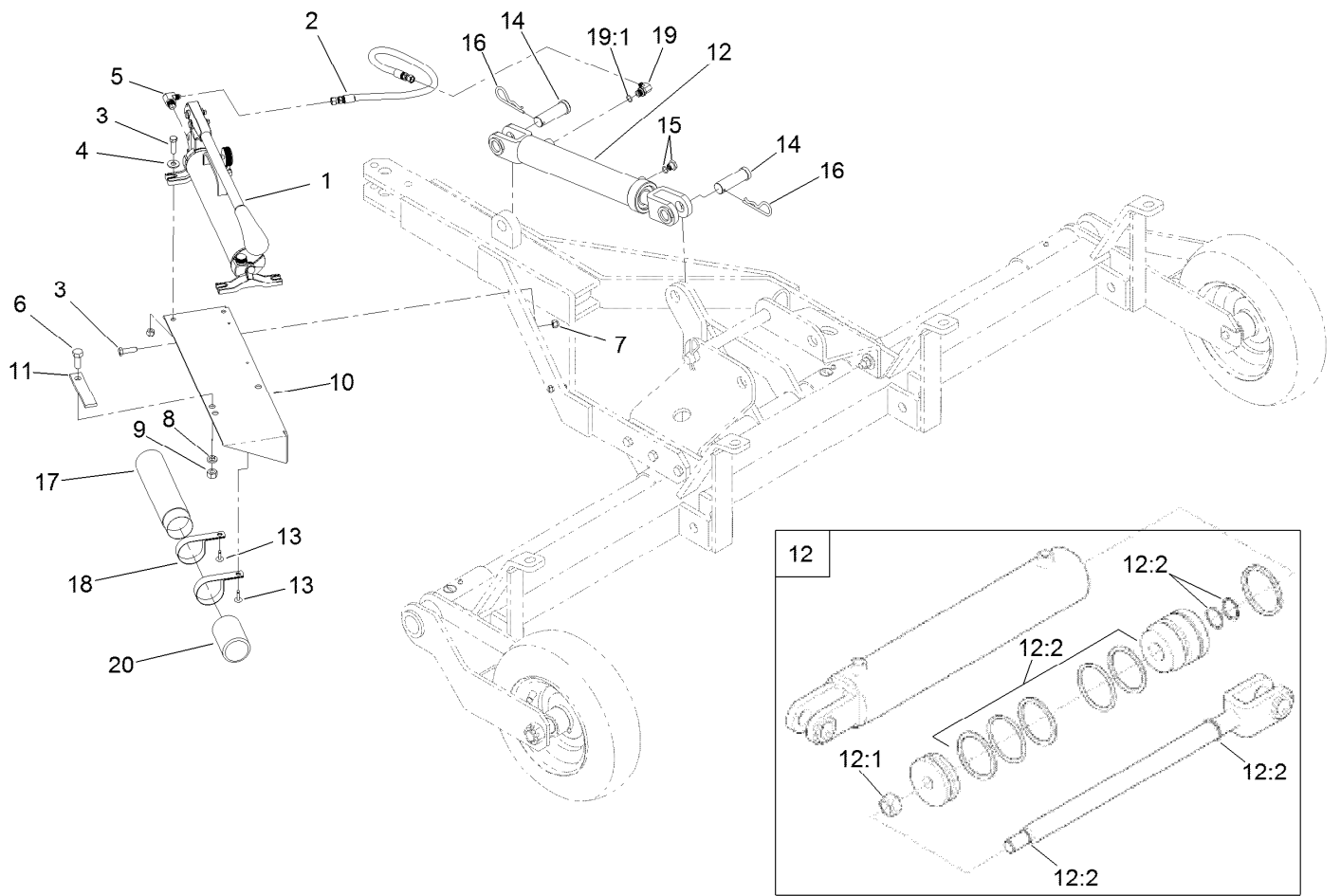
# Contents

- Pull Frame Assembly ..... 4
- Hand Pump and Cylinder Assembly ..... 5
- Aeration Head Assembly..... 6
- Aerator Wheel Assembly..... 8
- Attachments and Accessories ..... 9



## Pull Frame Assembly

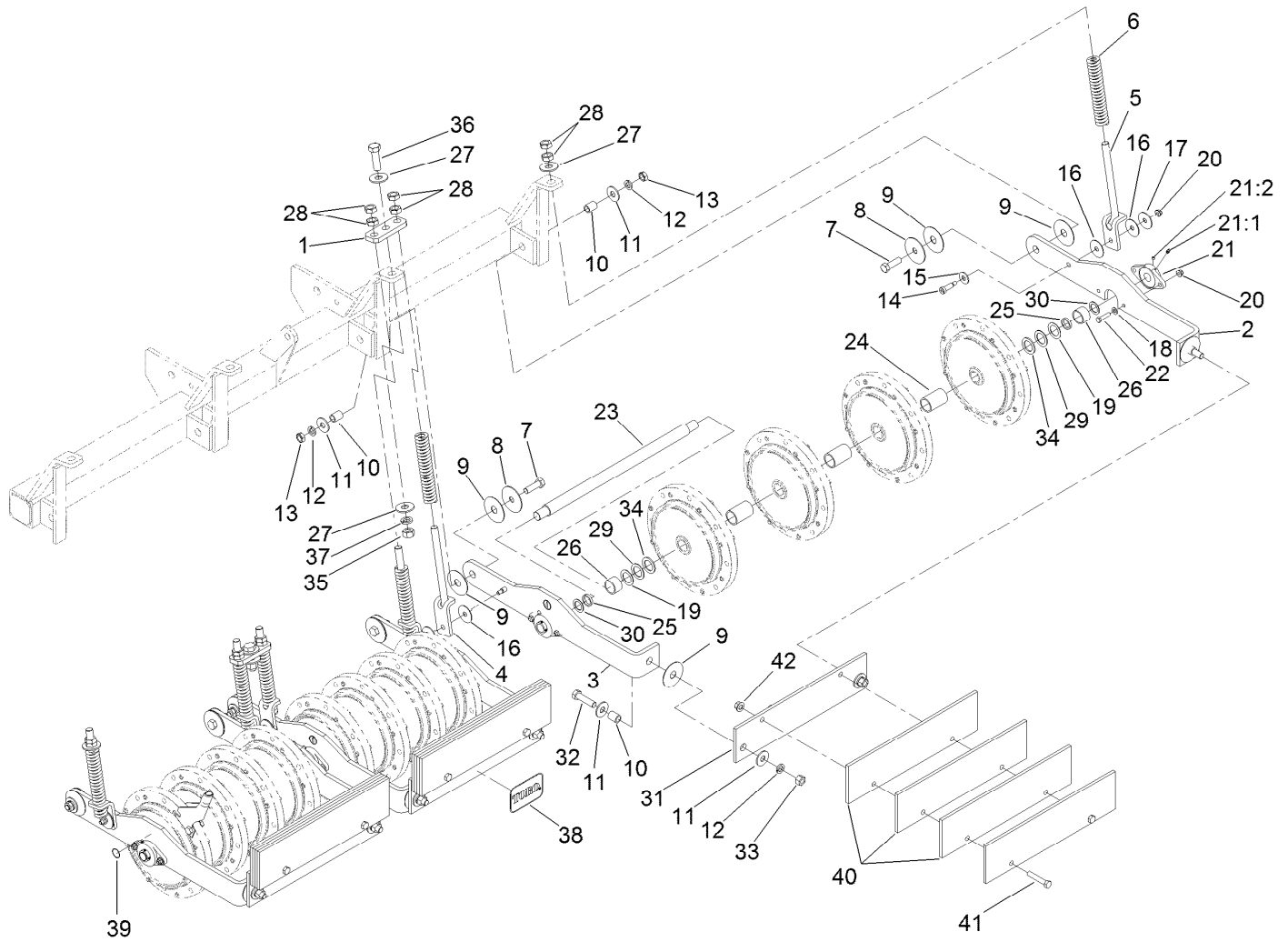
Ref.	Part Number	Qty.	Description	Ref.	Part Number	Qty.	Description
1	68-605-3053-01	1	Frame-Main	8	68-605-3102-01	1	Tongue
2	01-506-0680	2	Decal	9	325-9	6	Screw-HH
3	68-605-3701	2	Shaft-Axle	12	68-604-3532-01	1	Bar-Lock, Transport
4	68-604-3321	4	Spacer-Wheel	13	01-252-0060	1	Pin-Hitch
5	01-269-0230	2	Tire & Wheel	14	01-159-0060	1	Pin-Hair
5:1	106-9661	1	Tire	15	99-5107	6	Nut-Lock
5:2	93-9807	2	Seal-Oil	17	67-1300	1	Decal
5:4	254-94	2	Bearing-Cone, Tapered	18	106-0268	1	Transport Lock Bar ASM
5:5	232-35	1	Valve Stem And Cap ASM	18:2	106-0229	1	Decal-Warning
5:6	302-5	1	Fitting-Grease	19	302-63	4	Fitting-Grease, Zerk
6	01-190-1614	2	Nut-Hex, Slotted	20	58-6520	6	Decal-Grease
7	3272-23	2	Pin-Cotter	22	133-8061	1	Decal-Warning



## Hand Pump and Cylinder Assembly

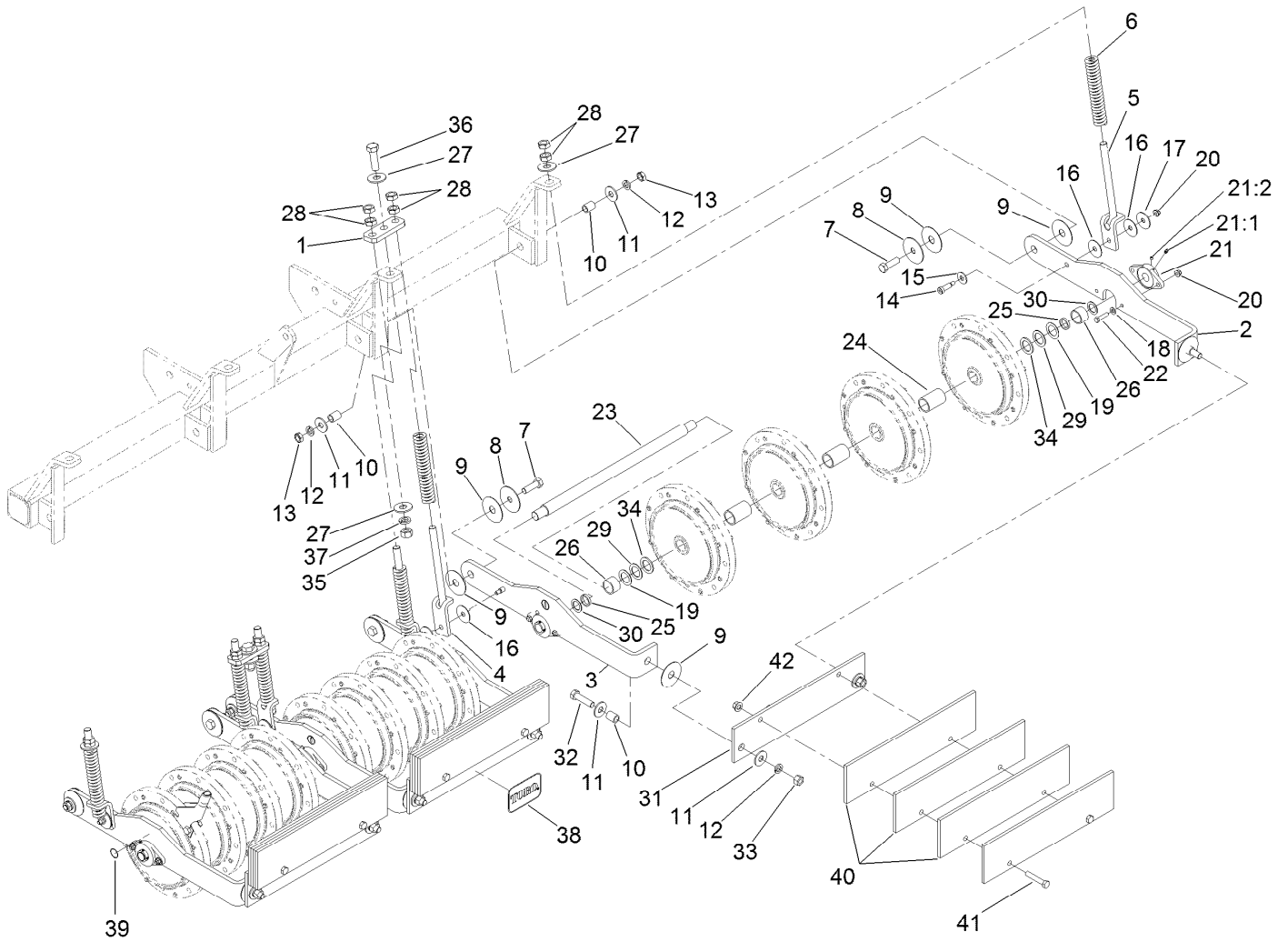
Ref.	Part Number	Qty.	Description
1	01-305-0040	1	Pump-Hand
2	01-312-0500	1	Hose-HYD
3	323-7	4	Screw-HH
4	3256-4	2	Washer-Flat
5	01-201-0190	1	Fitting-HYD
6	325-5	1	Screw-HH
7	3296-39	4	Nut-Lock, NI
8	3253-7	1	Washer-Lock
9	3217-9	1	Nut-HH
10	115-4939-01	1	Mount-Pump
11	68-604-3511-01	1	Vibration-Strap
12	121-6642	1	Hydraulic Cylinder ASM

Ref.	Part Number	Qty.	Description
12:1	22-8560	1	Locknut
12:2	121-6443	1	Seal Kit
13	01-161-0020	2	Rivet-Pop
14	26-8590	2	Pin-Cylinder
15	100-9962	1	Fitting-Vent
16	3290-256	2	Pin-Hair
17	104-7050	1	Tube-Manual
18	2412-133	2	Clamp-R
19	340-134	1	Fitting-Elbow, 90
19:1	237-42	1	O-Ring
20	104-7048	1	Cap-Housing



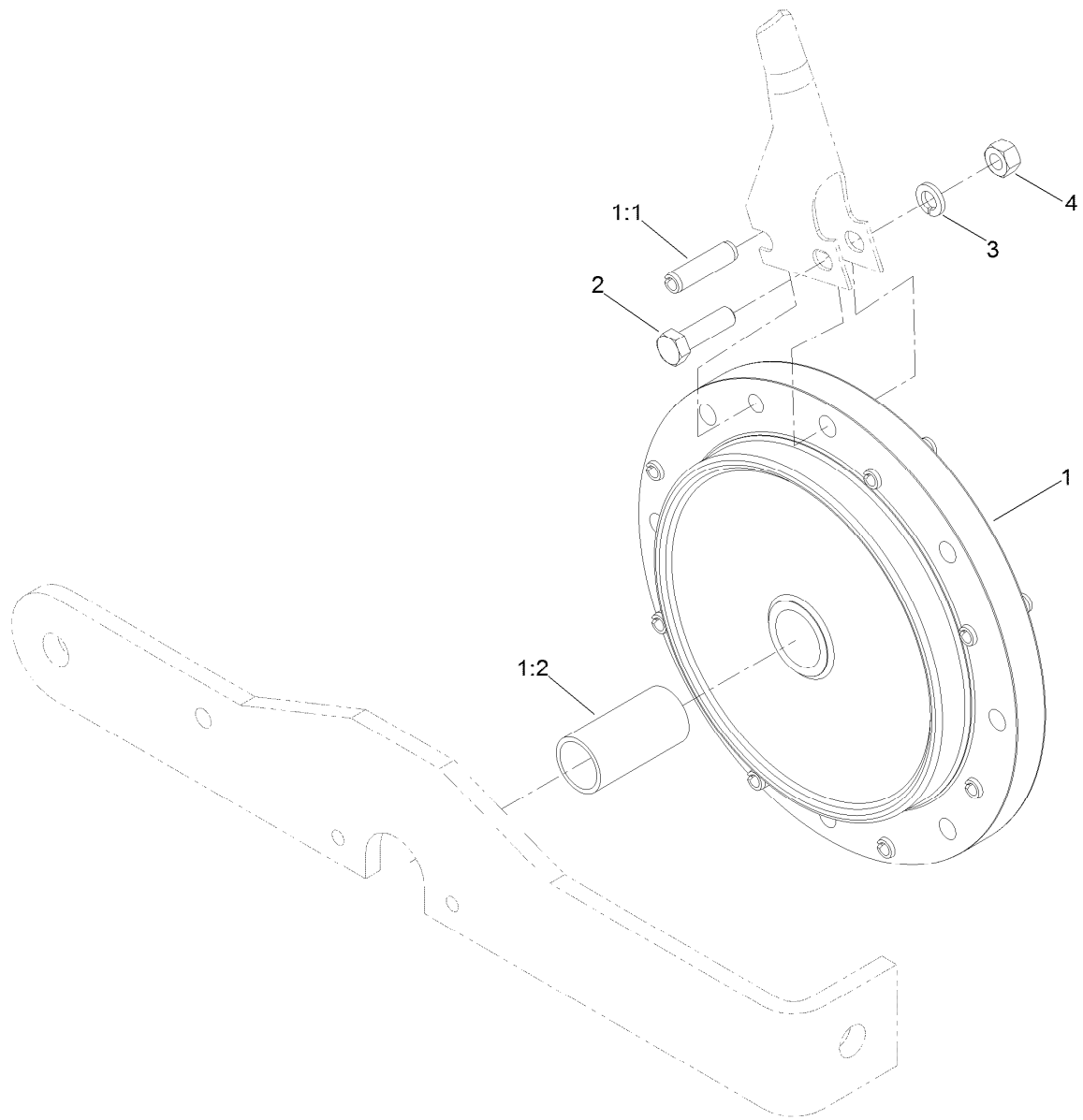
## Aeration Head Assembly

Ref.	Part Number	Qty.	Description	Ref.	Part Number	Qty.	Description
1	68-604-3571-01	2	Mount-Spring	21:1	302-5	1	Fitting-Grease
2	95-0082-01	3	Arm-Main, RH	21:2	3245-35	2	Screw-Set, HSH
3	95-0081-01	3	Arm-Main, LH	22	323-8	12	Screw-HH
4	105-7893	4	Bracket-Spring, Inner	23	68-604-3181	3	Shaft-Aerator
5	105-7894	2	Bracket-Spring, Outer	24	68-604-3421	9	Spacer-Center
6	01-261-0190	6	Spring	25	68-604-3451	6	Spacer-Inside
7	327-6	6	Screw-HH	26	68-604-3431	6	Spacer-End
8	68-604-3481	6	Washer	27	3256-8	6	Washer-Flat
9	68-604-3151	18	Washer-Pivot	28	3218-7	12	Nut-Jam
10	01-125-0050	12	Bushing	29	01-168-2014	6	Bushing
11	3256-7	18	Washer-Flat	30	01-168-1614	6	Bushing
12	3253-8	12	Washer-Lock	31	68-604-3171-01	3	Arm-Main, End
13	3218-6	6	Nut-Jam	32	327-7	6	Screw-HH
14	01-158-0310	6	Bolt-Shoulder, Socket Head	33	3217-11	6	Nut-Hex
15	3256-6	6	Washer-Pivot	34	01-168-2010	6	Bushing
16	13-404-0221	12	Washer-Pivot	35	3217-12	2	Nut-Hex
17	68-604-3491	6	Washer	36	328-2	2	Screw-HH
18	3256-24	12	Washer-Flat	37	3253-9	2	Washer-Lock
19	01-168-2018	6	Bushing	38	67-1300	1	Decal
20	104-8301	18	Nut-HF, NI	39	58-6520	6	Decal-Grease
21	106-0289	6	Bearing-Flange	40	136-3875-01	12	Bar-Weight



## Aeration Head Assembly (continued)

<i>Ref.</i>	<i>Part Number</i>	<i>Qty.</i>	<i>Description</i>
41	325-11	6	Screw-HH
42	99-5107	6	Nut-Lock



## Aerator Wheel Assembly

<i>Ref.</i>	<i>Part Number</i>	<i>Qty.</i>	<i>Description</i>
1	44-004-0262	12	Aerator Wheel ASM
1:1	32121-122	8	Pin-Roll
1:2	01-126-0030	1	Bushing
2	325-7	96	Screw-HH
3	3253-7	96	Washer-Lock
4	3217-9	96	Nut-HH



# Attachments and Accessories

## For 44856 Aerator 686

<b>Product Name</b>	<b>Model/Part</b>
4 Inch slicing Blade .....	01-283-0030
6 Inch slicing Blade .....	01-283-0040
Jack Kit, Aerator 686 .....	106-9660
Tine-open, 1/2 Inch .....	108-9296
Tine-closed, 1/2 Inch .....	108-9297
Tine-open, 3/4 Inch .....	108-9298
Tine-closed, 3/4 Inch .....	108-9299
Tractor Remote Kit.....	68-608-3521
CE Update Kit, Aerator 686 and 687 .....	95-3350

**Notes:**

**Notes:**



**Count on it.**