



Proline 12.5 HP
Mid-Size Traction Unit
Model No. 30171-20000001 and Up

Parts Catalog

Ordering Replacement Parts

To order replacement parts, please supply: the part number, the quantity, and the description of each part desired.

Understanding Reference Numbers

Each identified part in an illustration has a reference number. The reference number for a part also appears in the parts list, along with other information about the part.

This catalog uses two special reference number formats, one to indicate parts in a service assembly and another to indicate the quantity of a given part in an illustration.

Service Assembly Reference Numbers

Parts in service assemblies have reference numbers in the form **a:b**. The **a** represents the reference number of the entire service assembly and the **b** represents a sequential number unique to each part within the service assembly.

For example, a wheel assembly might be identified by reference number **6**, the tire by **6:1**, the valve by **6:2**, and the wheel by **6:3**. When you order the assembly identified by reference number **6**, you receive all parts identified by reference numbers **6:1**, **6:2**, and **6:3**. However, you may also order any part individually.

Reference numbers of this type appear in illustrations and in part lists.

Reference Numbers Indicating Quantity

In an illustration, if a reference number indicates more than one part, the reference number has the form **nX y**. The **n** represents the quantity of the part, the **X** is the multiplication symbol, and the **y** represents the reference number.

For example, in an illustration, the reference number **2X 37** means that two of the parts identified by reference number **37** are indicated.

Contents

Description	Page	Description	Page
Engine & Fuel System Assembly	3	Piston/Crankshaft Crankcase	15
Transmission & Drive Pulley Assembly	4	Valve / Camshaft	16
Wheel Drive Assembly	5	Lubrication Equipment	17
Upper Handle Assembly	6	Cooling Equipment	18
Deck Assembly	7	Electric Equipment	19
Front Caster & Blade Brake Assembly	8-9	Control Equipment	20
Spindle Assembly	10	Carburetor	21
Wiring Schematic	11	Air Filter	22
Peerless Transmission Model 700-070A	12	Starter	23
Peerless Transmission Model 700-070A	13	Starter	24
Crankcase (Kawasaki FB460V-MS14)	14	Muffler	25

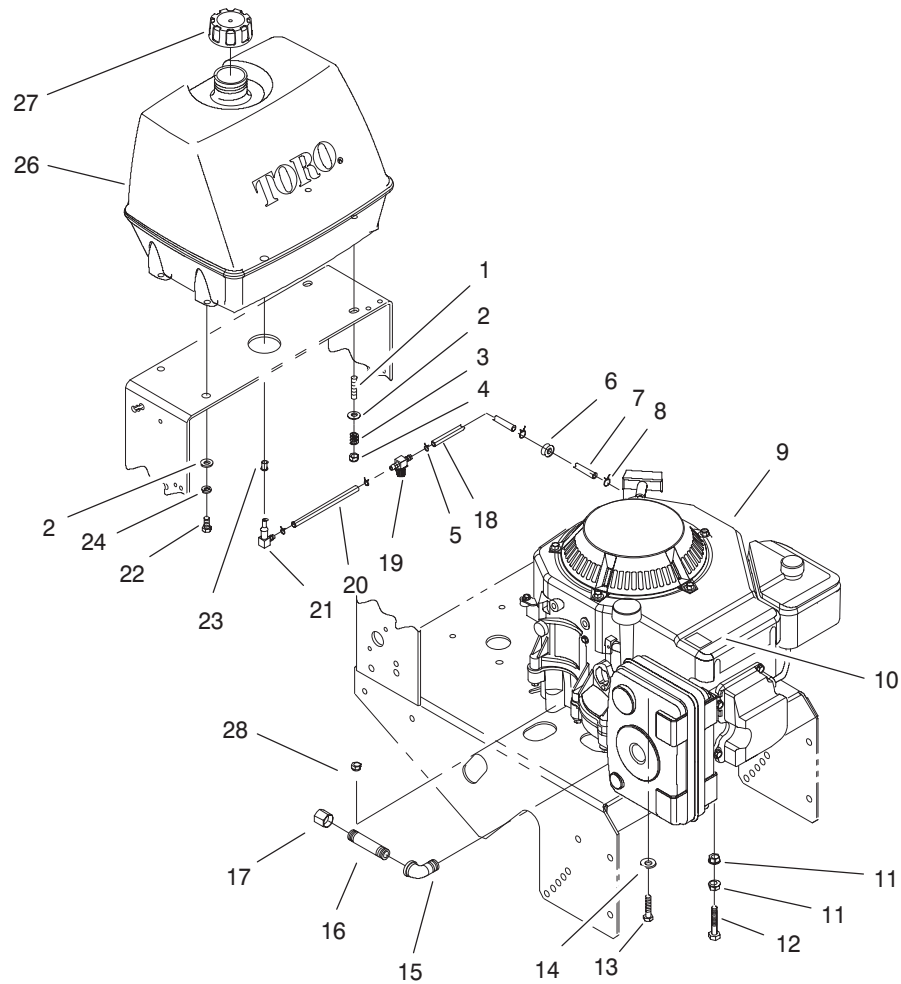
Accessories

Description	Model / Part No.	Description	Model / Part No.
Bagging Kit	Model No. 30198	Low Sail Blade	Part No. E403149

Part Description Abbreviations

Part descriptions in this catalog may include the following abbreviations.

Abbreviation	Meaning	Abbreviation	Meaning
AR	as required	INC	incorporated
ASM	assembly	LH	left hand
CARR	carriage	NI	nylon insert
DEG	degrees	PPH	Phillips pan head
FH	flat head	PTH	Phillips truss head
GA	gauge	PTO	power take off
HF	hex flange	RH	right hand
HH	hex head	SFH	slotted fillister head
HHF	hex head flange	SHH	slotted hex head
HLH	hex lag head	SQH	square head
HJ	hex jam	SHWH	slotted hex washer head
HOC	height-of-cut	SPH	slotted pan head
HS	hex socket	SRH	slotted round head
HSBH	hex socket button head	STD	standard
HSFH	hex socket flat head	TAP	self tapping
HSH	hex socket head	TTH	Torx truss head
HWH	hex washer head	WH	wing head
HWHTF	hex washer head thread forming		

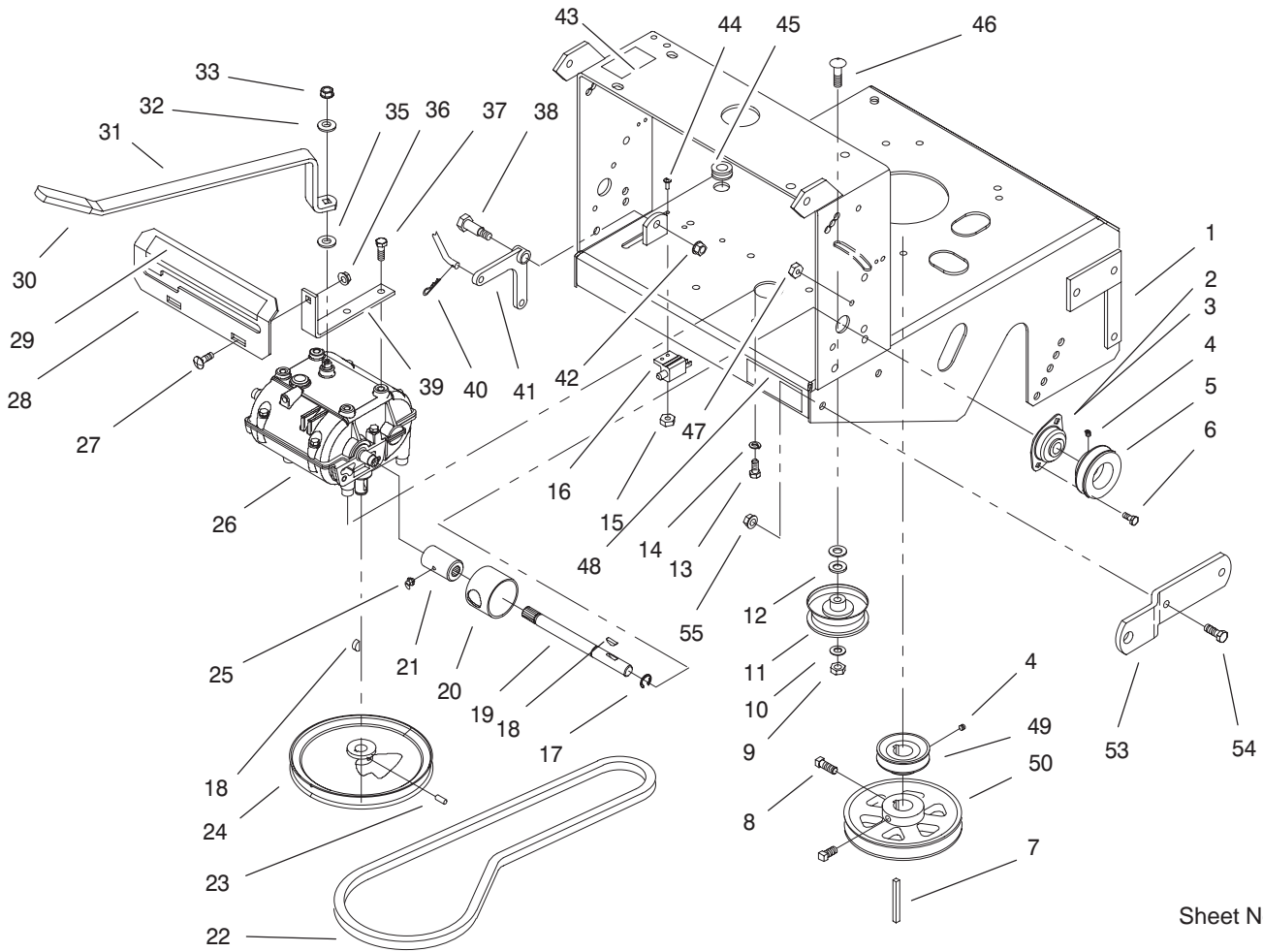


Sheet No.:2

Engine & Fuel System Assembly

Ref. No.	Part No.	Qty.	Description	Ref. No.	Part No.	Qty.	Description
1	E633023	2	Stud	27	E513508	1	Cap – Tank, Fuel
2	3256-23	4	Washer-Flat	28	32128-20	4	Nut-HF
3	E633349	2	Spring-Tank, Fuel	*	E303287	1	Tie-Plastic
4	3296-47	2	Nut-Lock, NI	*	E303335	1	Tie-Plastic
5	E303077	5	Clamp – Gas Line				
6	E303197	1	Fuel Filter				
7	E303022	1	Fuel Line				
8	E303308	1	Clamp				
9	E303476	1	Engine-Kawasaki (FB460V-MS14)				
10	63-8440	1	Decal – Hot Surface				
11	3290-357	2	Nut-Flange, Lock				
12	323-13	1	Screw-HH				
13	322-7	4	Screw-HH				
14	E303334	4	Washer-Disc Spring				
15	E303431	1	Elbow-Straight 90°				
16	E323326	1	Nipple				
17	E543233	1	Nut-Cap				
18	E303022	1	Fuel Line – 8.5 Inch				
19	E603770	1	Valve – Gas				
20	E603955	1	Fuel Line – 6 Inch				
21	E543277	1	Elbow-Tank, Fuel				
22	322-3	2	Screw-HH				
23	E513645	1	Bushing-Valve, Fuel				
24	3253-4	2	Washer				
26	E323551	1	Tank – Fuel				

* Not illustrated

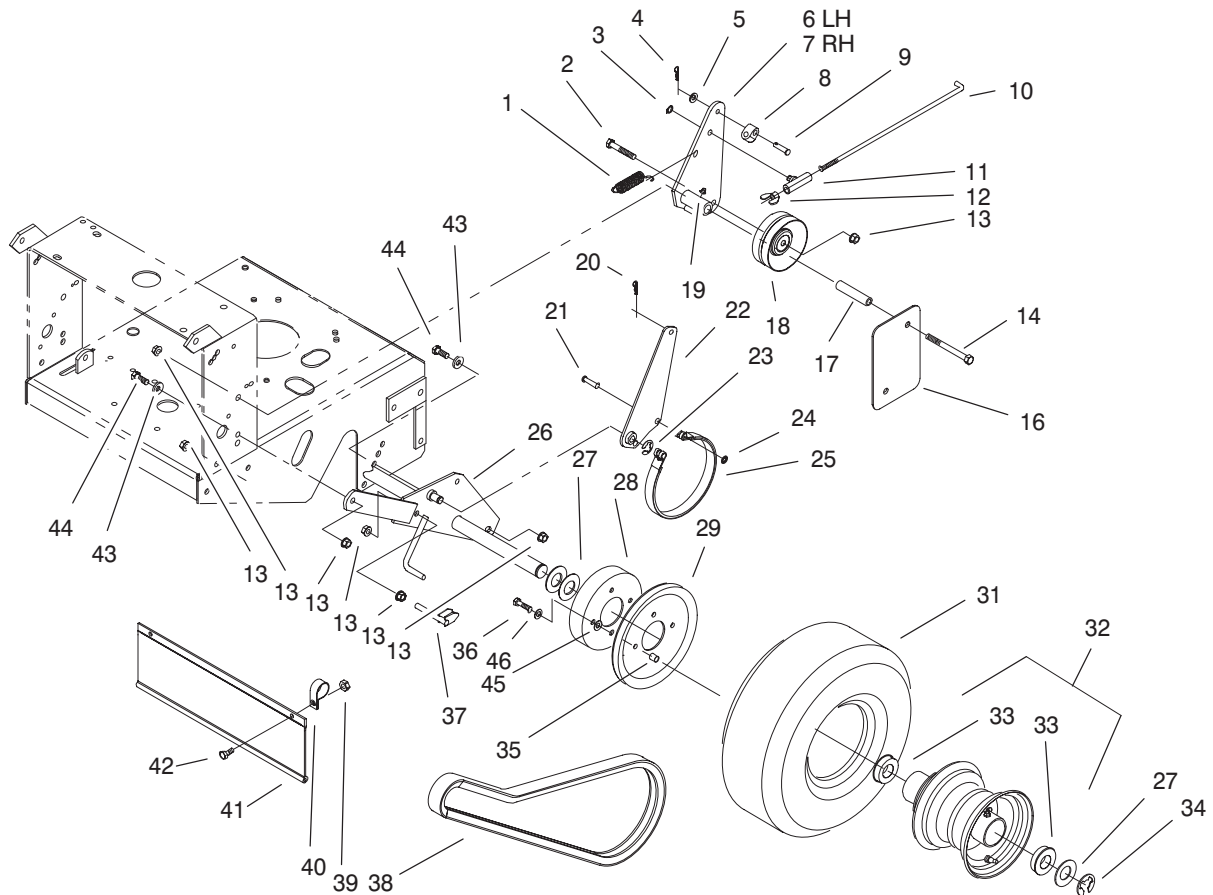


Sheet No.:3

Transmission & Drive Pulley Assembly

Ref. No.	Part No.	Qty.	Description
1	E402112	1	Rear Deck
2	E323252	2	Bearing-Shaft
3	E323254	2	Flange-Output
4	E803310	3	Screw-Set
5	E323363	2	Sheave-Wheel Drive
6	321-3	4	Screw-HH
7	E807264	1	Key-Mach
8	3242-4	2	Screw-Set, SQH
9	3296-39	1	Nut-Lock, NI
10	3256-24	1	Washer-Flat
11	E323285	1	Idler Pulley
12	3256-5	2	Washer-Flat
13	322-3	4	Screw-HH
14	3253-4	4	Washer
15	3296-2	2	Nut-Lock
16	E513152	1	Switch-Seat
17	E808523	2	Ring-Retaining
18	E807009	3	Key-Woodruff
19	E323502	2	Shaft-Output
20	51-4220	2	Guard-Coupler
21	E323680	2	Coupling
22	E323630	1	Belt-Transmission
23	E803293	2	Screw-Set
24	E323278	1	Sheave-Drive
25	302-19	2	Fitting - Grease
26	E323500	1	Transmission

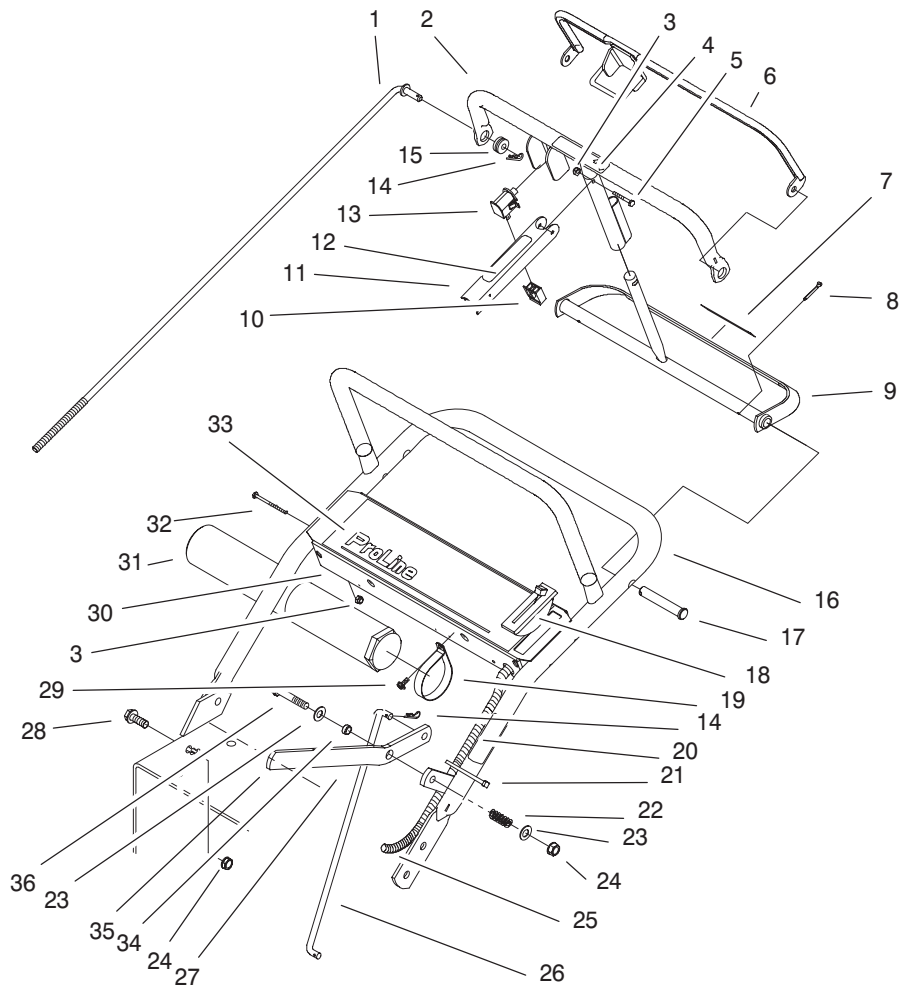
Ref. No.	Part No.	Qty.	Description
27	3230-1	2	Screw-CARR
28	E323387	1	Shifter Plate
29	98-3256	1	Decal-Ground Speed
30	E303020	1	Grip
31	98-3274-03	1	Lever-Shift
32	98-5975	1	Washer
33	3296-6	1	Nut-Lock, NI
35	E323379	1	Washer-Shifter Lever
36	32128-20	2	Nut-HF
37	32104-32	4	Screw-HH
38	E603403	1	Bolt-Shoulder
39	E323389	2	Leg - Shifter Lever
40	3290-307	1	Hairpin
41	E303186	1	Bell Crank
42	3290-357	1	Nut-Flange, Lock
43	95-2814	1	Decal - Fuel Shut Off
44	E803028	2	Screw
45	E543296	1	Grommet-Line, Fuel
46	E807511	1	Bolt-Carriage
47	3296-42	4	Nut-Lock
48	98-0776	1	Decal-Caution
49	E323256	1	Sheave-Trans Drive
50	E403160	1	Pulley-Blade Drive
53	E323318	2	Hitch - Bracket
54	323-6	4	Screw-HH
55	3290-357	4	Nut-Flange, Lock



Sheet No.:4

Wheel Drive Assembly

Ref. No.	Part No.	Qty.	Description	Ref. No.	Part No.	Qty.	Description
1	98-3273	2	Spring-Extension	27	E523157	6	Spacer-14 GA
2	323-10	2	Screw-HH	27	E543436	8	Spacer-18 GA
3	E808522	2	Clip-Ring	28	E323261	2	Drum-Brake
4	3290-307	2	Hairpin	29	E323349	2	Sheave
5	3256-23	2	Washer-Flat	31	E323361	2	Tire
6	98-3277-03	1	LH Idler Arm ASM	32	E323360	2	Assembly - Wheel
7	98-3278-03	1	RH Idler Arm ASM	33	E323329	4	Bearing
8	74-0521	2	Fitting-Rod	34	E808519	2	Ring-Snap E
9	283-6	2	Pin-Clevis	35	E323260	8	Spacer
10	E323296	2	Brake Rod	36	E800273	8	Screw,Cap HH
11	E322125	2	Swivel-Brake	37	E603430	2	Scraper
12	E513959	2	Wingnut-Nylok	38	E323744	2	Belt-Wheel Drive
13	3290-357	14	Nut-Flange, Lock	39	3296-29	2	Nut-Lock, NI
14	323-16	4	Screw-HH	40	2412-104	2	R Clamp
16	98-5131-01	2	Shield-Wheel Drive	41	98-3259	1	Shield - Trailing
17	E323694	4	Spacer-Shield	42	322-3	2	Screw-HH
18	E323352	2	Idler Pulley, Wheel Drive	43	98-5975	4	Washer
19	302-19	2	Fitting - Grease	44	323-6	4	Screw-HH
20	3290-307	2	Hairpin	45	E373034	8	Washer-Swivel
21	E323307	4	Pin-Clevis	46	3253-4	8	Washer
22	E322209	2	Brake Arm ASM				
23	E808501	2	Ring-Snap				
24	E803051	4	Nut-Push				
25	E323595	2	Band-Brake				
26	E322232	1	Axle ASM				

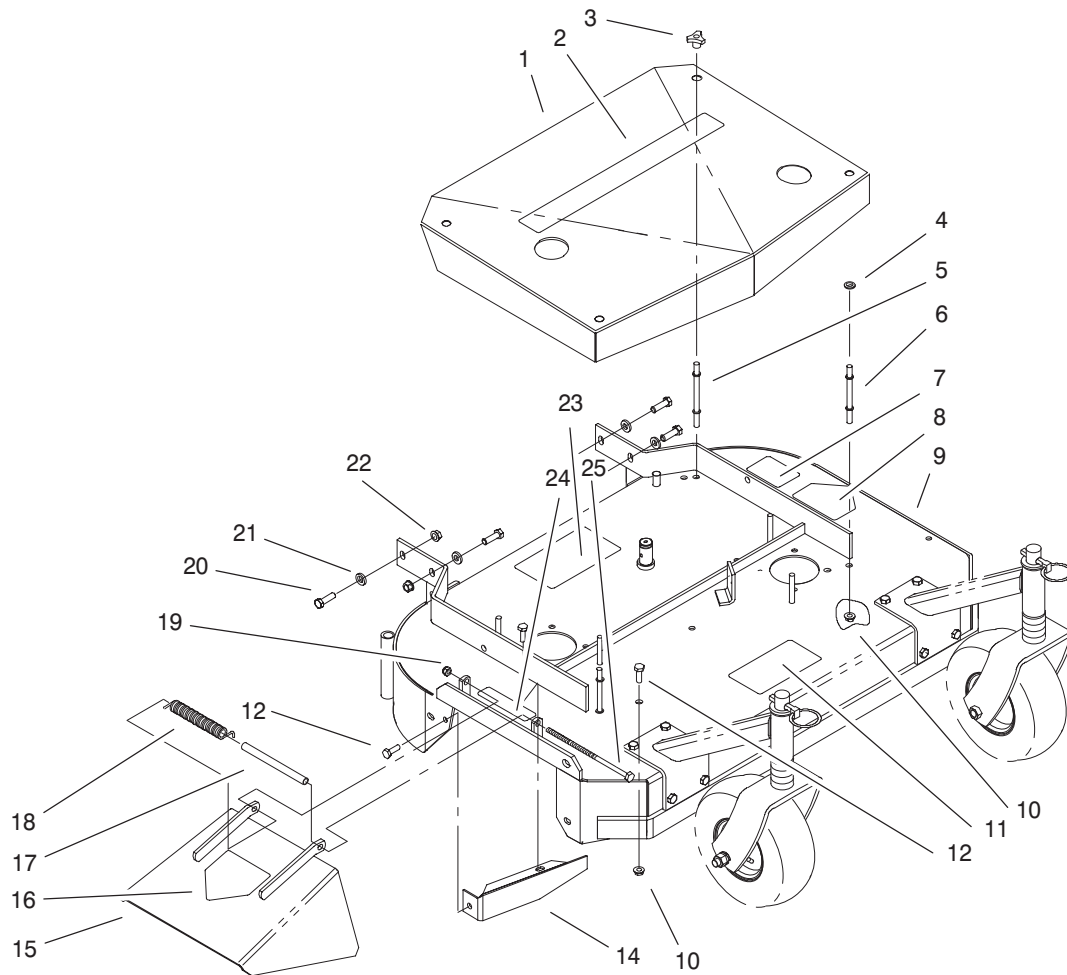


Sheet No.:5

Upper Handle Assembly

Ref. No.	Part No.	Qty.	Description
1	98-3282	2	Rod-Control
2	95-5522-03	1	Control Bar ASM
3	3296-2	5	Nut-Lock
4	82-2290	1	Decal - Control Bar
5	32105-1	1	Screw
6	98-3289-03	1	Bail ASM
7	82-2280	1	Decal-Reverse Handle
8	3272-11	2	Pin-Cotter
9	99-8501-03	1	Control-Pivot
10	218-595	1	Connector-Body
11	98-3261-03	1	Lever-Parking Brake
12	98-3266	1	Decal-Parking Brake
13	740275	1	Switch,Seat
14	3290-307	3	Hairpin
15	237-141	2	Grommet-Rubber
16	98-3267-01	1	Upper Handle ASM
17	283-55	2	Pin-Clevis
18	E323637	1	Throttle Control
19	2412-120	2	R-Clamp
20	95-5537	1	Decal - Deck Engage
21	3290-378	1	Tie-Cable
22	E303160	1	Spring
23	3256-24	2	Washer-Flat
24	3296-39	5	Nut-Lock, NI

Ref. No.	Part No.	Qty.	Description
25	98-3257	1	Wire Harness-Kawasaki
26	98-3279	1	Linkage-Blade Drive
27	98-3287-03	1	Lever-Blade Engagement
28	323-6	4	Screw-HH
29	32104-76	2	Screw-Slot, Acorn
30	E304259	1	Panel-Control
31	74-0720	1	Tube-Manual
32	32105-14	4	Screw-Slotted Hd
33	95-5437	1	Decal - Control Panel
34	99-8509	1	Spacer
35	E303020	1	Grip
36	323-10	1	Screw-HH

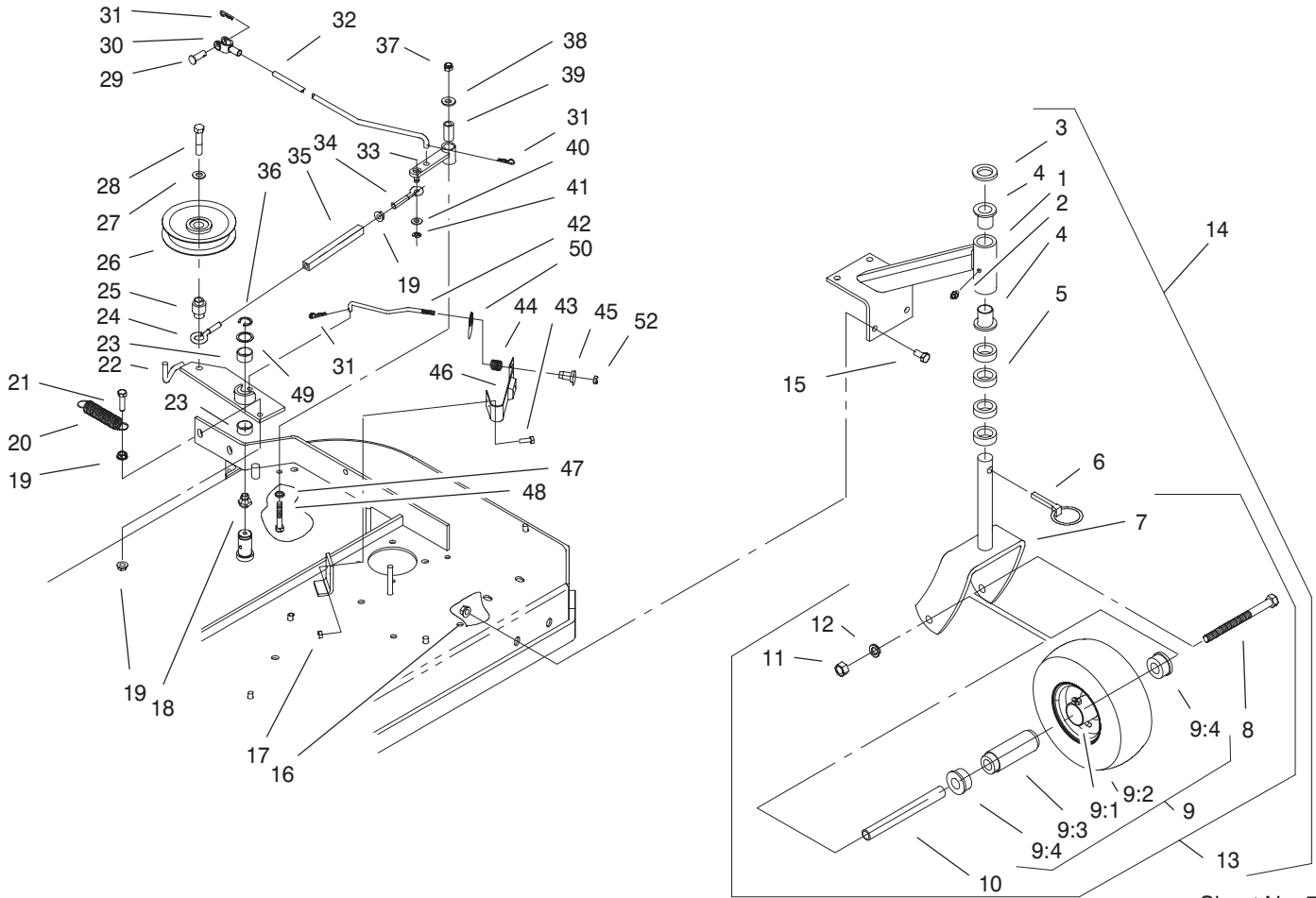


Sheet No.:6

Deck Assembly

Ref. No.	Part No.	Qty.	Description	Ref. No.	Part No.	Qty.	Description
1	E324407	1	Belt Cover w/Decal	23	98-3296	1	Decal-Belt Routing
2	100-6482	1	Decal-Proline	24	67-5360	1	Decal-Danger
3	E323385	4	Knob-Belt Cover	25	E800289	1	Screw-Cap HH
4	E323417	4	Washer-Belt Cover Mount				
5	E303536	2	Stud-Belt Shield (Long)				
6	E303537	2	Stud-Belt Shield (Short)				
7	98-5130	1	Decal - Torque				
8	43-8480	1	Decal-Danger				
9	103-0036	1	Deck w/Decals ASM				
10	32128-20	12	Nut-HF				
11	66-1340	1	Decal-Danger				
12	322-2	8	Screw-HH				
14	E302189	1	Baffle-Dogleg				
15	E304256	1	Discharge Chute w/Decal				
16	54-9220	1	Decal-Danger				
17	98-3281	1	Spacer-Spring				
18	98-3280	1	Spring-Deflector				
19	3296-29	1	Nut-Lock, NI				
20	323-8	6	Screw-HH				
21	98-5975	6	Washer				
22	3290-357	6	Nut-Flange, Lock				

3324-196

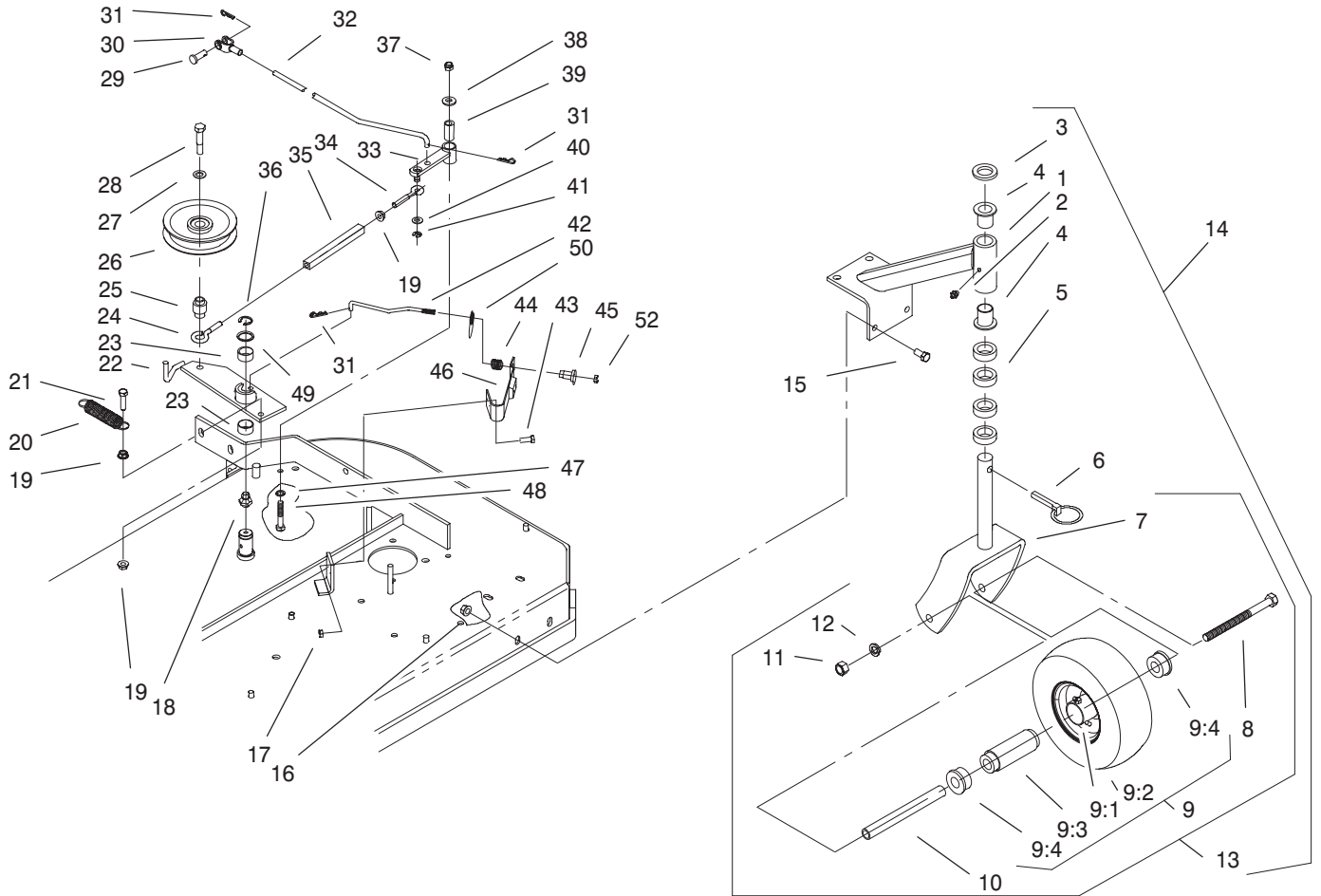


Sheet No.:7

Front Caster & Blade Brake Assembly

Ref. No.	Part No.	Qty.	Description
1	E302194	2	Support-Caster
2	302-52	2	Grease Fitting
3	E513338	2	Washer-Plated
4	E303514	4	Bearing-Flanged
5	E303314	8	Spacer - Caster
6	E809020	2	Ring-Retaining
7	E322145	2	Fork
8	325-20	2	Screw-HH
9		2	Wheel/Tire ASM
9:1	E513807	1	Wheel and Hub ASM
9:2	E513808	1	Tire
9:3	E513809	1	Bearing
9:4	E513810	2	Bushing
10	E513547	2	Spacer-Front Caster
11	3217-9	2	Nut-Hex
12	3253-7	2	Washer-Lock/Sp
13	E322154	2	Caster/Wheel ASM
14	E322153	2	Caster/Mount ASM
15	323-4	8	Screw-HH
16	3290-357	8	Nut-Flange, Lock
17	3296-42	2	Nut-Lock
18	302-19	1	Fitting - Grease
19	32128-20	3	Nut-HF
20	E323071	1	Spring
21	322-6	1	Screw-HH

Ref. No.	Part No.	Qty.	Description
22	E324408	1	Engagement Arm w/Bushings
23	E323729	2	Bearing-Sleeve
24	E303348	1	Eye Bolt, LH Thread
25	E303434	1	Bushing
26	E603843	1	Pulley-Idler
27	98-5975	1	Washer
28	323-10	1	Screw-HH
29	E808280	1	Pin-Clevis
30	E303105	1	Yoke-Adjustable
31	3290-307	3	Hairpin
32	E323303	1	Linkage-Assist Arm
33	E322235	1	Assist Arm ASM
34	E303238	1	Eye Bolt,RH Thread
35	E303236	1	Turnbuckle Body
36	32151-103	1	Ring-Snap
37	3296-29	1	Nut-Lock, NI
38	3256-3	1	Washer-Flat
39	E403179	1	Tube-Pivot
40	3256-23	1	Washer-Flat
41	E808512	1	E-Ring
42	E323718	1	Rod-Brake
43	321-4	2	Screw-HH
44	E323747	1	Spring-Compression
45	E323746	1	Spacer-Flanged
46	E324372	1	Pad/Spring ASM



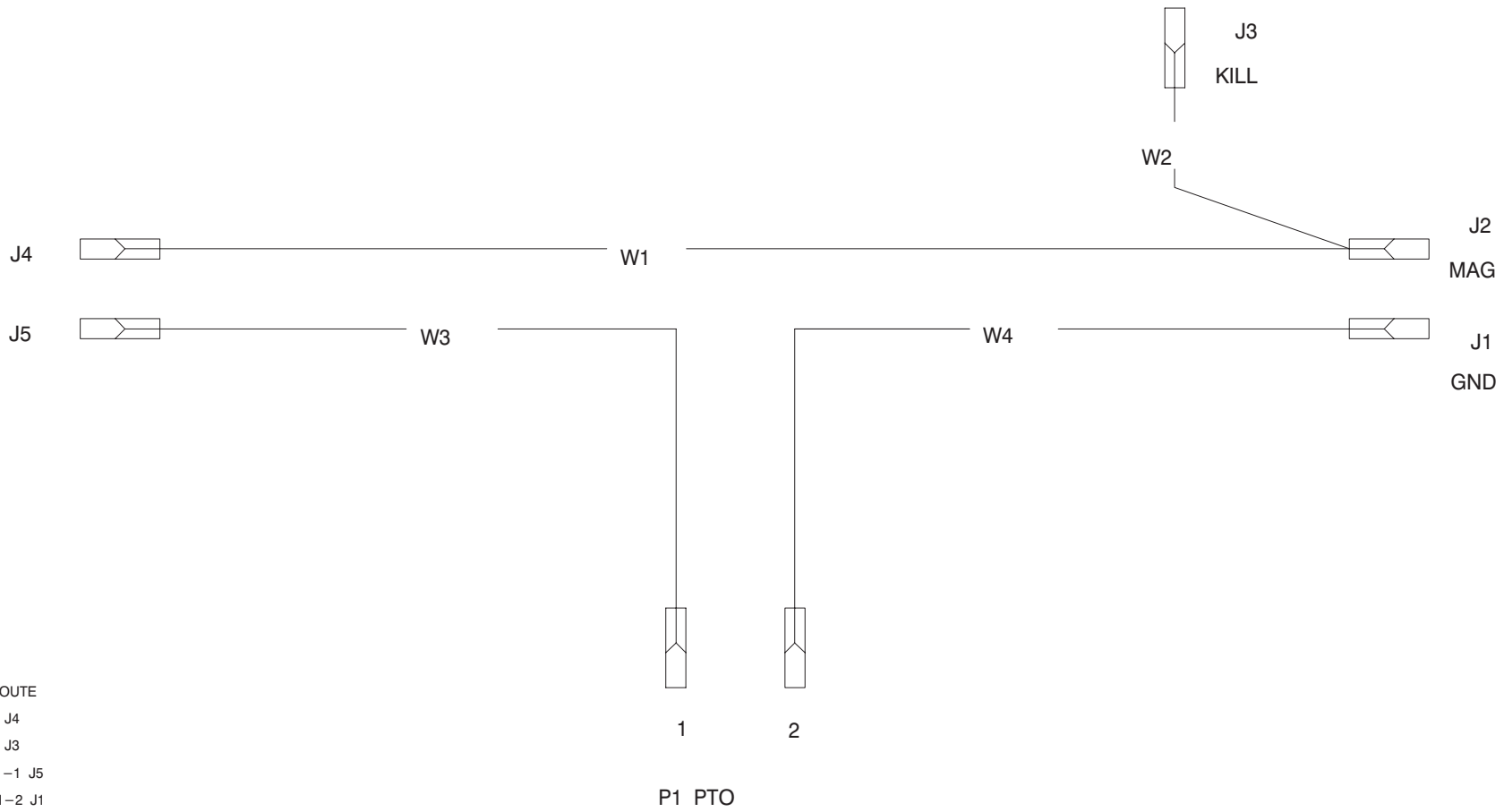
Sheet No.:7

Front Caster & Blade Brake Assembly (Continued)

Ref. No.	Part No.	Qty.	Description
47	E303334	1	Washer-Disc Spring
48	322-10	1	Screw-HH
49	E303352	1	Spindle Washer
50	E323748	1	Ring-Push On
52	3296-56	1	Nut-Lock, NI

Ref. No.	Part No.	Qty.	Description

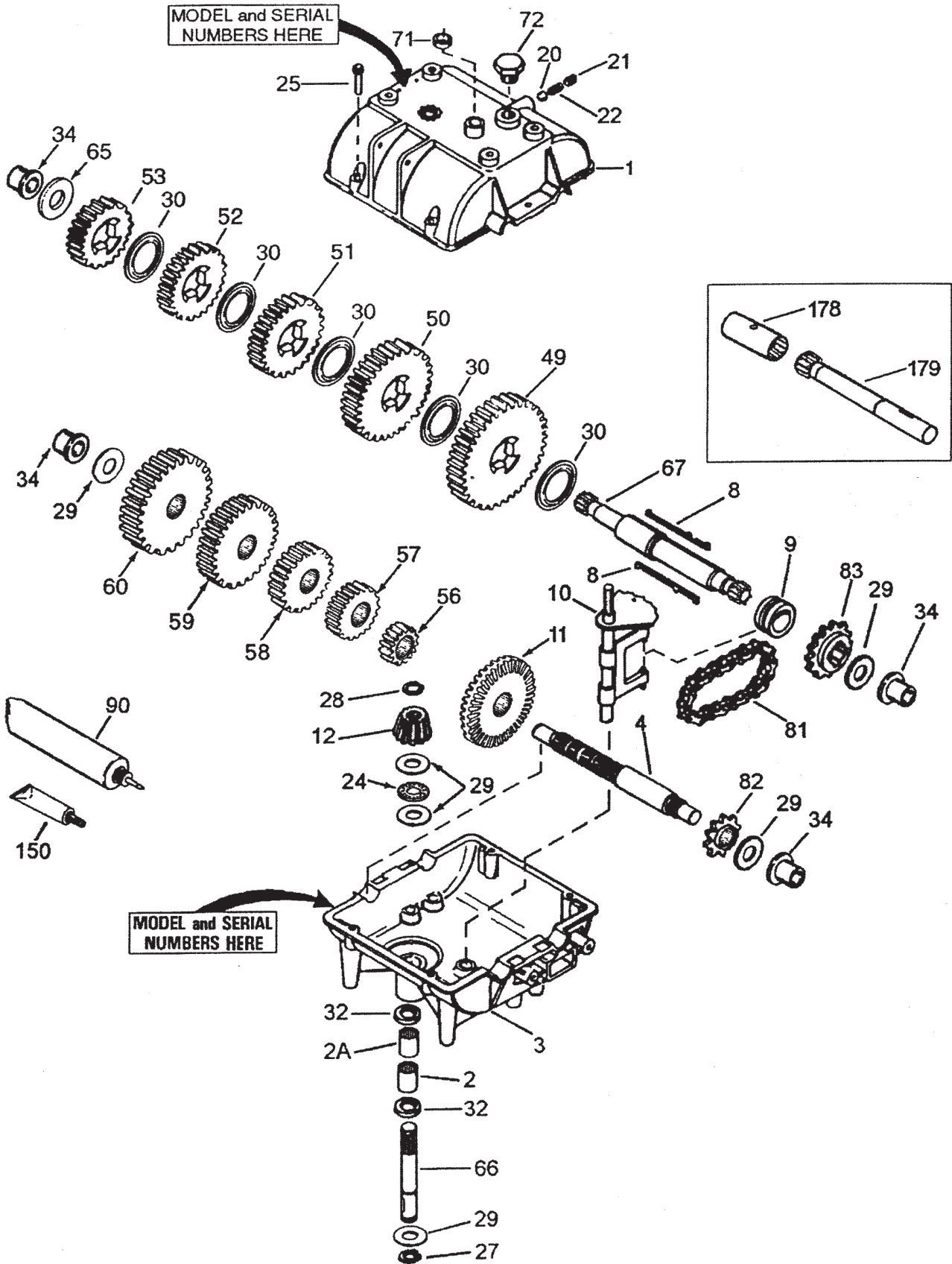
Wiring Schematic



WIRE LIST

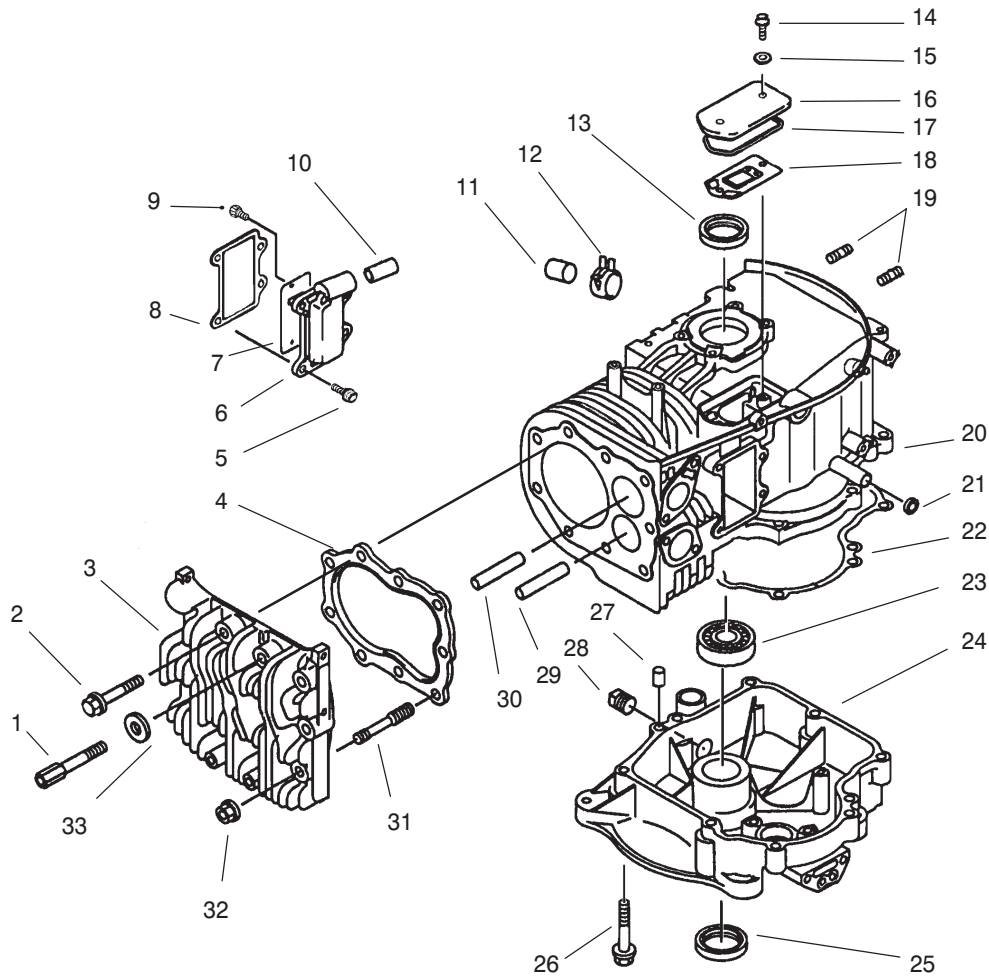
DESIG.	AWG	COLOR	ROUTE
W1	16	WHITE	J2 J4
W2	16	WHITE	J2 J3
W3	16	BLUE	P1-1 J5
W4	16	BLACK	P1-2 J1

Peerless Transmission Model 700-070A



Peerless Transmission Model 700-070A

Ref. No.	Part No.	Qty.	Description	Ref. No.	Part No.	Qty.	Description
1	772083A	1	Transmission Cover				
2	780086A	1	Needle Bearing				
2A	780142	1	Needle Bearing				
3	770061A	1	Transmission Case				
4	776134	1	Countershaft				
8	792089A	4	Shift Key				
9	784266	1	Shift Collar				
10	784376	1	Shift Rod & Fork				
11	778154	1	Bevel Gear (42 Teeth)				
12	778176	1	Bevel Pinion (14 Teeth- Steel)				
20	792077A	1	Ball 5/16" Dia.				
21	792078	1	Set Screw				
22	792079	1	Spring				
24	780071	1	Thrust Bearing				
25	792073A	6	Screw				
27	792035	1	Retaining Ring				
28	788040	1	Retaining Ring				
29	780072	6	Washer				
30	780108	5	Washer				
32	792001	2	O-Ring				
34	780105A	4	Flanged Bushing				
49	778146A	1	Spur Gear (37 Teeth)				
50	778125	1	Spur Gear (35 Teeth)				
51	778239A	1	Spur Gear (32 Teeth-Steel)				
52	778124A	1	Spur Gear (30 Teeth)				
53	778123A	1	Spur Gear (25 Teeth)				
56	778145	1	Spur Gear (12 Teeth-Steel)				
57	778151	1	Spur Gear (15 Teeth)				
58	778240	1	Spur Gear (18 Teeth-Steel)				
59	778126A	1	Spur Gear (20 Teeth)				
60	778127A	1	Spur Gear (25 Teeth)				
65	780139	1	Washer				
66	776135	1	Input Shaft (3-11/16" long)				
67	776402	1	Shifter & Brake Shaft				
71	788069	1	Square Cut Ring				
72	792074	1	Threaded Plug				
81	786081	1	Roller Chain (No. 41 Chain, 24 Links)				
82	786082	1	Sprocket (9 Teeth)				
83	786083	1	Sprocket (18 Teeth)				
90	788067B	1	Grease (32 oz. Bottle Bentonite Grease)				
150	510334	1	Gasket Eliminator (Loctite #515)				
178	786176	1	Coupling (Optional)				
179	776401	1	Connector Shaft (Optional)				



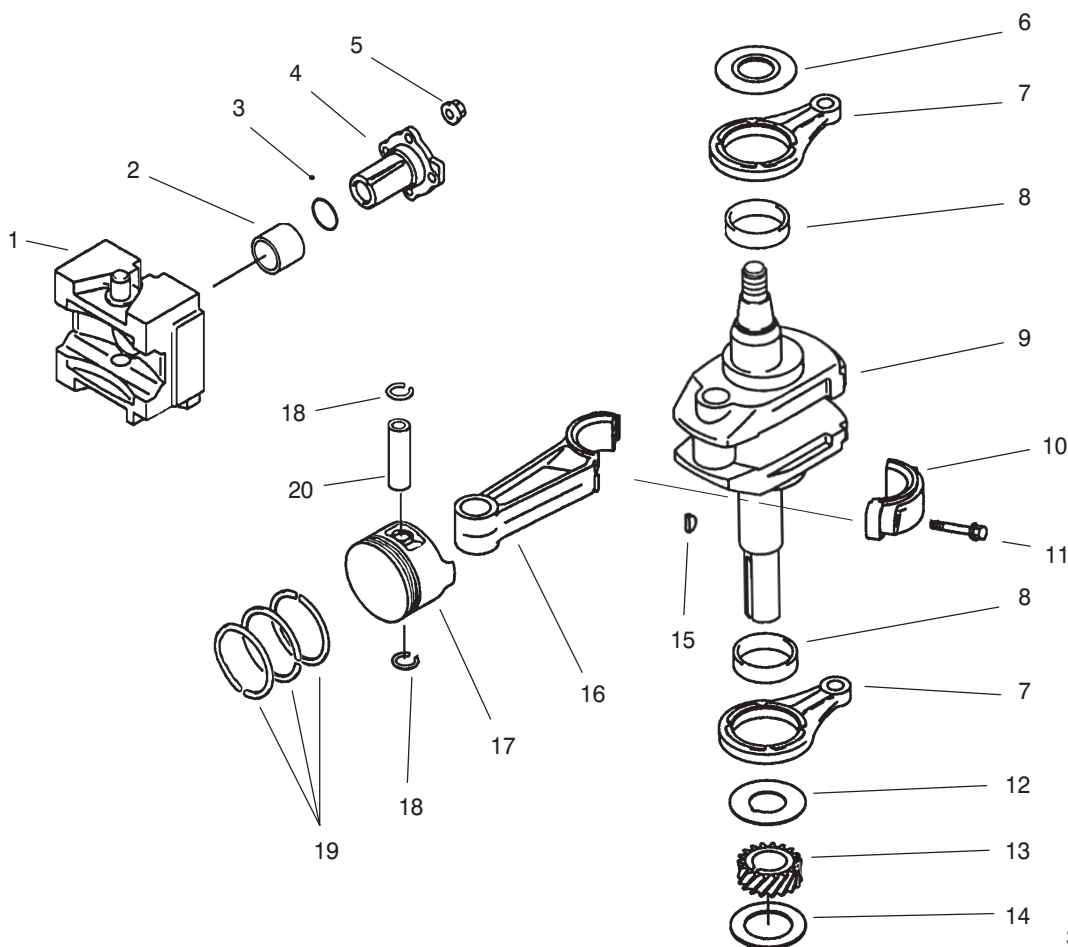
Sheet No.: 201

Crankcase (Kawasaki FB460V-MS14)

Ref. No.	Part No.	Qty.	Description
1	92002-2258	2	Bolt
2	130g1055	4	Bolt-Flange
3	11001-2151	1	Head-Cylinder
4	11004-2091	1	Gasket-Head
5	130g0616	4	Bolt-Flange
6	49108-2011	1	Cover-Valve Chamber
7	14025-2143	1	Cover
8	11060-2375	1	Gasket
9	92009-2307	2	Screw
10	92059-2142	1	Tube
11	92066-2096	1	Plug
12	92170-2088	1	Clamp
13	92049-2096	1	Seal-Oil
14	92002-2087	2	Bolt
15	11060-2323	2	Gasket
16	14025-2040	1	Cover-Breather
17	11009-2339	1	Gasket-Cover
18	14069-2062	1	Breather
19	92004-2083	4	Stud-6 X 14
20	49120-6108	1	Crankcase-Complete
21	92049-2097	1	Seal-Oil
22	11060-2015	1	Gasket-Crankcase
23	601a6207	1	Bearing-Ball
24	49015-6176	1	Cover-Crankcase
25	92049-2227	1	Seal-Oil
26	130g0845	8	Bolt-Flange

Ref. No.	Part No.	Qty.	Description
27	92043-1263	2	Pin
28	92066-2097	1	Plug
29	49002-2071	1	Guide-Valve Exhaust
30	49002-2070	1	Guide-Valve Intake
31	92004-2082	3	Stud
32	92015-2115	3	Nut
33	410b1000	2	Washer-Plain

Obtain Parts from Kawasaki



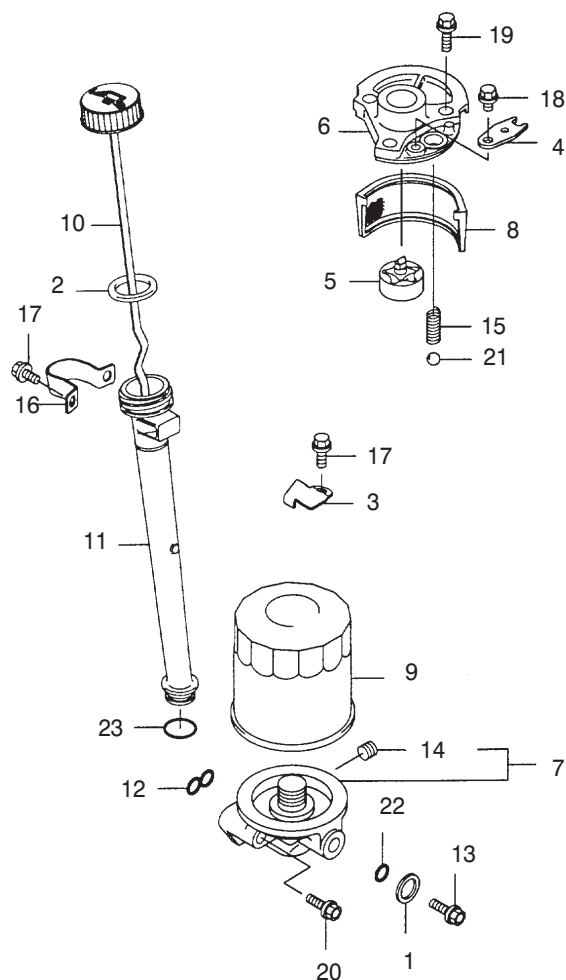
Sheet No.: 202

Piston/Crankshaft Crankcase (Kawasaki FB460V-MS14)

Ref. No.	Part No.	Qty.	Description
1	13042-6006	1	Weight Incl #2
2	92141-2097	1	Bearing-Plane
3	92055-2072	1	O-Ring
4	13107-2253	1	Shaft
5	92015-1193	4	Nut
6	92026-2164	1	Spacer
7	46102-6007	2	Rod Incl #8
8	92141-2108	2	Bearing-Plane
9	49119-2177	1	Crankshaft ASM
11	92150-2193	2	Bolt
12	92026-2156	1	Spacer
13	59056-2105	1	Gear-Helical
14	92025-2145	A/R	Shim T=1.18
14	92025-2146	A/R	Shim T=1.25
14	92025-2147	A/R	Shim T=1.32
14	92025-2148	A/R	Shim T=1.39
14	92025-2149	A/R	Shim T=1.46
14	92025-2150	A/R	Shim T=1.53
14	92025-2151	A/R	Shim T=1.60
14	92025-2152	A/R	Shim T=1.67
14	92025-2153	A/R	Shim T=1.74
14	92180-2015	A/R	Shim T=1.11
14	92180-2016	A/R	Shim T=1.81
15	92038-2094	1	Key
16	13251-6005	1	Rod ASM Incl #10 11

Ref. No.	Part No.	Qty.	Description
16	13251-6007	A/R	Rod ASM Incl #10 11 0.50
17	13001-2096	1	Piston
17	13029-2084	A/R	Piston 0.25
17	13029-2085	A/R	Piston 0.50
18	92033-2176	2	Ring-Snap
19	13008-6009	1	Set-Ring Piston
19	13008-6010	A/R	Set-Ring Piston 0.25
19	13008-6011	A/R	Set-Ring Piston 0.50
20	13002-2066	1	Pin-Piston

Obtain Parts from Kawasaki

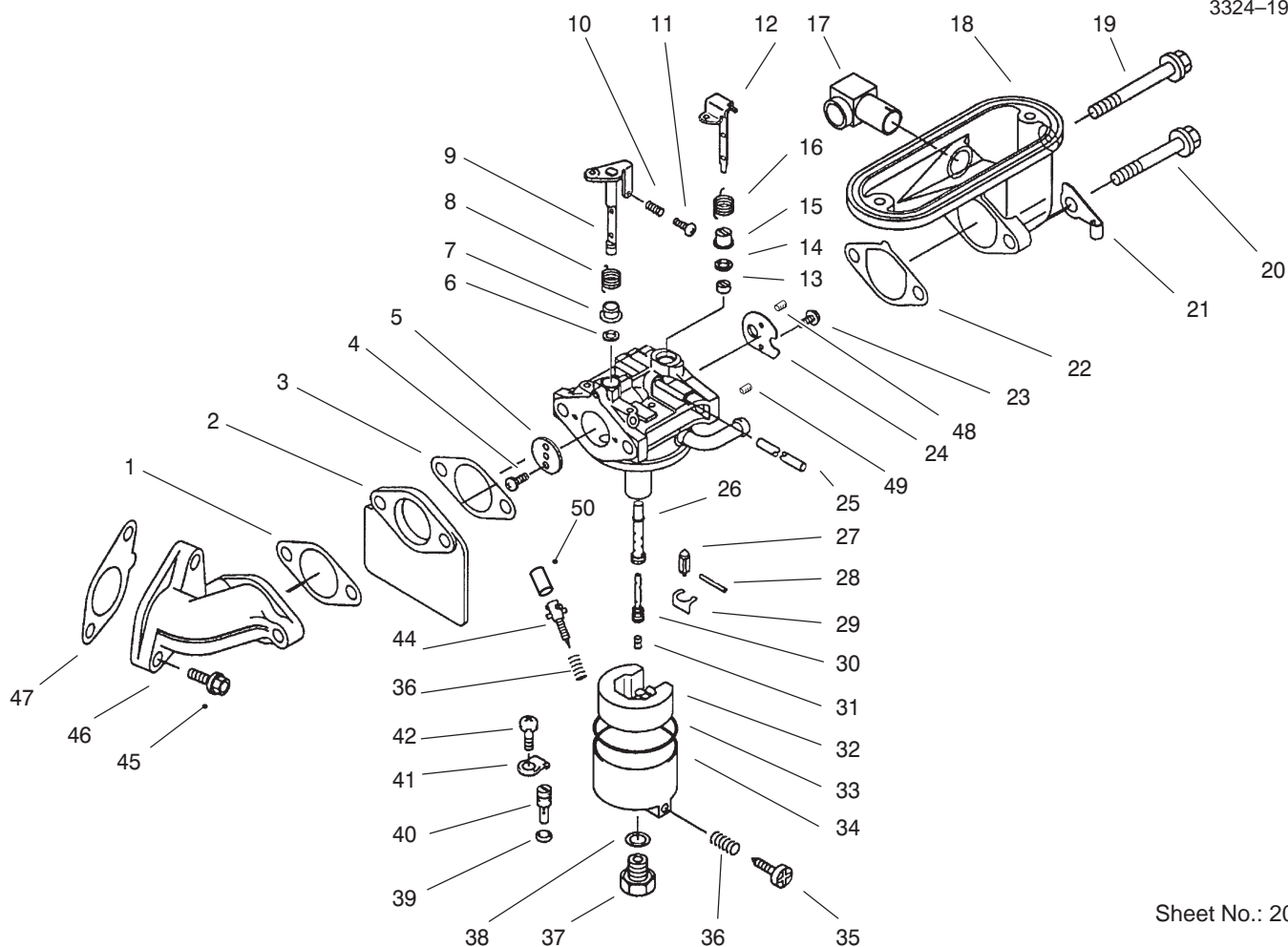


Sheet No.: 204

Lubrication Equipment (Kawasaki FB460V-MS14)

Ref. No.	Part No.	Qty.	Description	Ref. No.	Part No.	Qty.	Description
1	11009-2175	1	Gasket				
2	11009-2346	1	Gasket-Oil Gauge				
3	13169-2359	1	Plate				
4	13270-2054	1	Plate				
5	16082-2057	1	Pump Assy-Oil				
6	16142-6001	1	Cover-Pump				
7	23062-6001	1	Bracket-Comp				
8	49065-2056	1	Filter-Oil				
9	49065-2071	1	Filter-Oil				
10	52005-2058	1	Gauge-Oil				
11	59231-2059	1	Filler				
12	92055-2063	1	Ring-O				
13	92066-2093	1	Plug				
14	92066-2211	1	Plug				
15	92081-2216	1	Spring				
16	92170-2014-9H	1	Clamp				
17	130B0508	3	Bolt-Flanged				
18	130B610	1	Bolt-Flanged				
19	130G0825	3	Bolt-Flanged				
20	130G0845	2	Bolt-Flanged				
21	600A1000	1	Ball-Steel				
22	670D1507	1	O Ring				
23	670D2016	1	O Ring				

Obtain Parts from Kawasaki



Sheet No.: 208

Carburetor (Kawasaki FB460V-MS14)

Ref. No.	Part No.	Qty.	Description	Ref. No.	Part No.	Qty.	Description
0	15003-2467	1	Carburetor ASM	26	49121-2207	1	Nozzle-Main #98A
1	11060-2338	1	Gasket-Intake Pipe	27	16030-2073	1	Valve-Float
2	16073-2091	1	Insulator	28	92043-2006	1	Pin
3	11060-2339	2	Gasket-Carburetor	29	92033-2067	1	Ring-Snap
4	92009-2080	2	Screw	30	49123-2078	1	Holder-Main Jet
5	16025-2141	1	Valve-Throttle #110	31	92063-2294	1	Jet-Main
6	92093-2082	1	Seal	32	16031-2066	1	Float
7	92027-2025	1	Collar	33	11009-2024	1	Gasket
8	92081-2077	1	Spring	34	16020-2109	1	Chamber-Float Incl 35 36
9	16041-2009	1	Shaft-Throttle	35	92009-2015	1	Screw
10	92081-2046	1	Spring	36	92081-2009	2	Spring
11	92009-2079	1	Screw	37	92150-2146	1	Bolt
12	16041-2010	1	Shaft-Choke	38	11009-2025	1	Gasket
13	92027-2003	1	Collar	39	16038-024	1	Gasket
14	92093-2069	1	Seal	40	92064-2108	1	Jet-Pilot
15	92143-2142	1	Collar	41	13183-2252	1	Plate
16	92144-2160	1	Spring	42	92009-2244	1	Screw
17	59071-2062	1	Joint	44	16014-2076	1	Screw-Pilot Air
18	16060-2108	1	Pipe-Intake	45	130g0825	2	Bolt-Flange
19	92002-2254	1	Bolt	46	16060-2109	1	Pipe-Intake
20	92002-2253	1	Bolt	47	11060-2337	1	Gasket-Intake Pipe
21	92170-2019	1	Clamp	48	16035-2063	1	Jet-Air #0.9
22	11060-2338	1	Gasket	49	16035-2051	1	Jet-Air #1.4
23	92009-2081	2	Screw	50	39076-2053	1	Limiter
24	16126-2206	1	Valve-Choke				
25	92059-2266	1	Tube				

Obtain Parts from Kawasaki

