



Wheel Horse[®]

312-8, 314-8 Garden Tractor

Model No. 73429-20000001 and Up
Model No. 73449-20000001 and Up

Parts Catalog

Ordering Replacement Parts

To order replacement parts, please supply: the part number, the quantity, and the description of each part desired.

Understanding Reference Numbers

Each identified part in an illustration has a reference number. The reference number for a part also appears in the parts list, along with other information about the part.

This catalog uses two special reference number formats, one to indicate parts in a service assembly and another to indicate the quantity of a given part in an illustration.

Service Assembly Reference Numbers

Parts in service assemblies have reference numbers in the form **a:b**. The **a** represents the reference number of the entire service assembly and the **b** represents a sequential number unique to each part within the service assembly.

For example, a wheel assembly might be identified by reference number **6**, the tire by **6:1**, the valve by **6:2**, and the wheel by **6:3**. When you order the assembly identified by reference number **6**, you receive all parts identified by reference numbers **6:1**, **6:2**, and **6:3**. However, you may also order any part individually.

Reference numbers of this type appear in illustrations and in part lists.

Reference Numbers Indicating Quantity

In an illustration, if a reference number indicates more than one part, the reference number has the form **nX y**. The **n** represents the quantity of the part, the **X** is the multiplication symbol, and the **y** represents the reference number.

For example, in an illustration, the reference number **2X 37** means that two of the parts identified by reference number **37** are indicated.

Contents

Description	Page	Description	Page
Hood Assembly	3	Oil Pan / Lubrication (Model 73429 Only)	28
Frame, Axle & Steering System	4	Cylinder Head / Valve & Breather (Model 73429 Only)	29
Hoodstand, Console Assembly	5	Ignition / Electrical (Model 73429 Only)	30
Hoodstand, Console Assembly (cont.)	6	Blower Housing & Baffles (Model 73429 Only)	31
Footrest & Hoodstand Side Covers Assembly	7	Starter (Model 73429 Only)	32
Gauges, Warning Lights & Controls Assembly	8	Carburetor & Fuel Pump (Model 73429 Only)	33
Manual Lift System Assembly	9	Engine Controls (Model 73429 Only)	34
Clutch System Assembly	10	Air Intake / Filtration (Model 73429 Only)	35
Brake System Assembly	11	Exhaust (Model 73429 Only)	36
Fender, Seat & Tail Lights/Reflectors Assembly	12	Transmission 8–Speed 8 Pinion (Model 73449 Only)	37
PTO Clutch & Cover Assembly	13	Transmission 8–Speed 8 Pinion (cont.) (Model 73449 Only)	38
PTO Clutch System & Belt Guide Assembly	14	Crankshaft (Model 73449 Only)	39
Engine Assembly	15	Crankcase (Model 73449 Only)	40
Transaxle Assembly	16	Oil Pan / Lubrication (Model 73449 Only)	41
Wheels Assembly	17	Cylinder Head / Valve & Breather (Model 73449 Only)	42
Hitch Assembly	18	Ignition / Electrical (Model 73449 Only)	43
Battery Assembly	19	Blower Housing & Baffles (Model 73449 Only)	44
Fuel Tank Assembly	20	Starter (Model 73449 Only)	45
Hoodstand Electrical Mounting Assembly	21	Carburetor & Fuel Pump (Model 73449 Only)	46
Electrical Schematic (Model 73429 Only)	22	Engine Controls (Model 73449 Only)	47
Electrical Schematic (Model 73449 Only)	23	Air Intake / Filtration (Model 73449 Only)	48
Transmission 8–Speed 4 Pinion (Model 73429 Only)	24	Exhaust (Model 73449 Only)	49
Transmission 8–Speed 4 Pinion (cont.) (Model 73429 Only)	25	Maintenance	50–51
Crankshaft (Model 73429 Only)	26		
Crankcase (Model 73429 Only)	27		

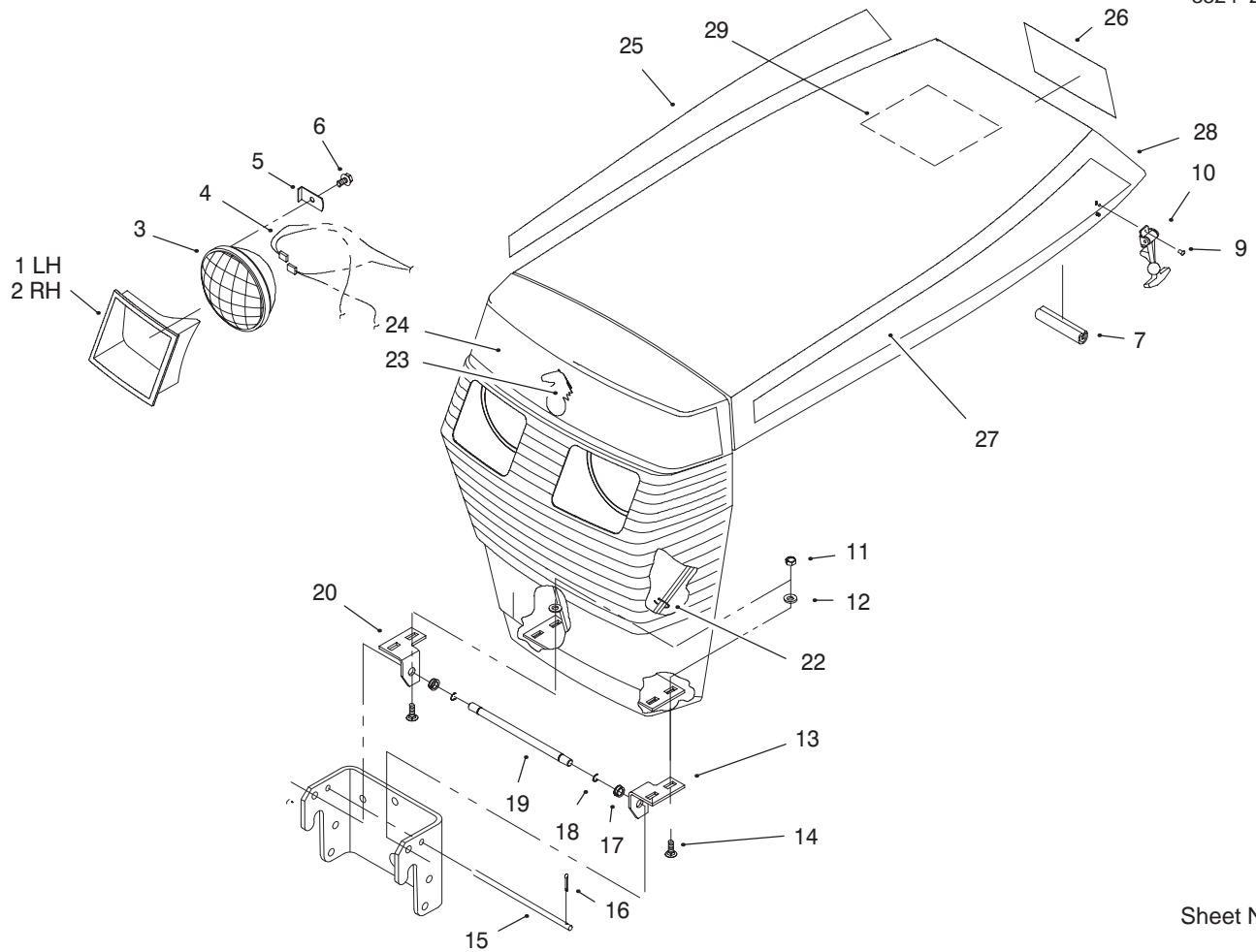
Accessories

Description	Model / Part No.	Description	Model / Part No.
36" Rear Discharge Mower	Model No. 78305	42" Rear Discharge Mower	Model No. 78350
37" Side Discharge Mower (Model No. 73429 Only)	Model No. 78315	42" Recycler Mower	Model No. 78355
42" Side Discharge Mower	Model No. 78345	48" Side Discharge Mower (Model No. 73429 Only)	Model No. 73361
48" Side Discharge Mower (Model No. 73449 Only)	Model No. 78361	48" Recycler Mower (Model No. 73449 Only)	Model No. 73365

Part Description Abbreviations

Part descriptions in this catalog may include the following abbreviations.

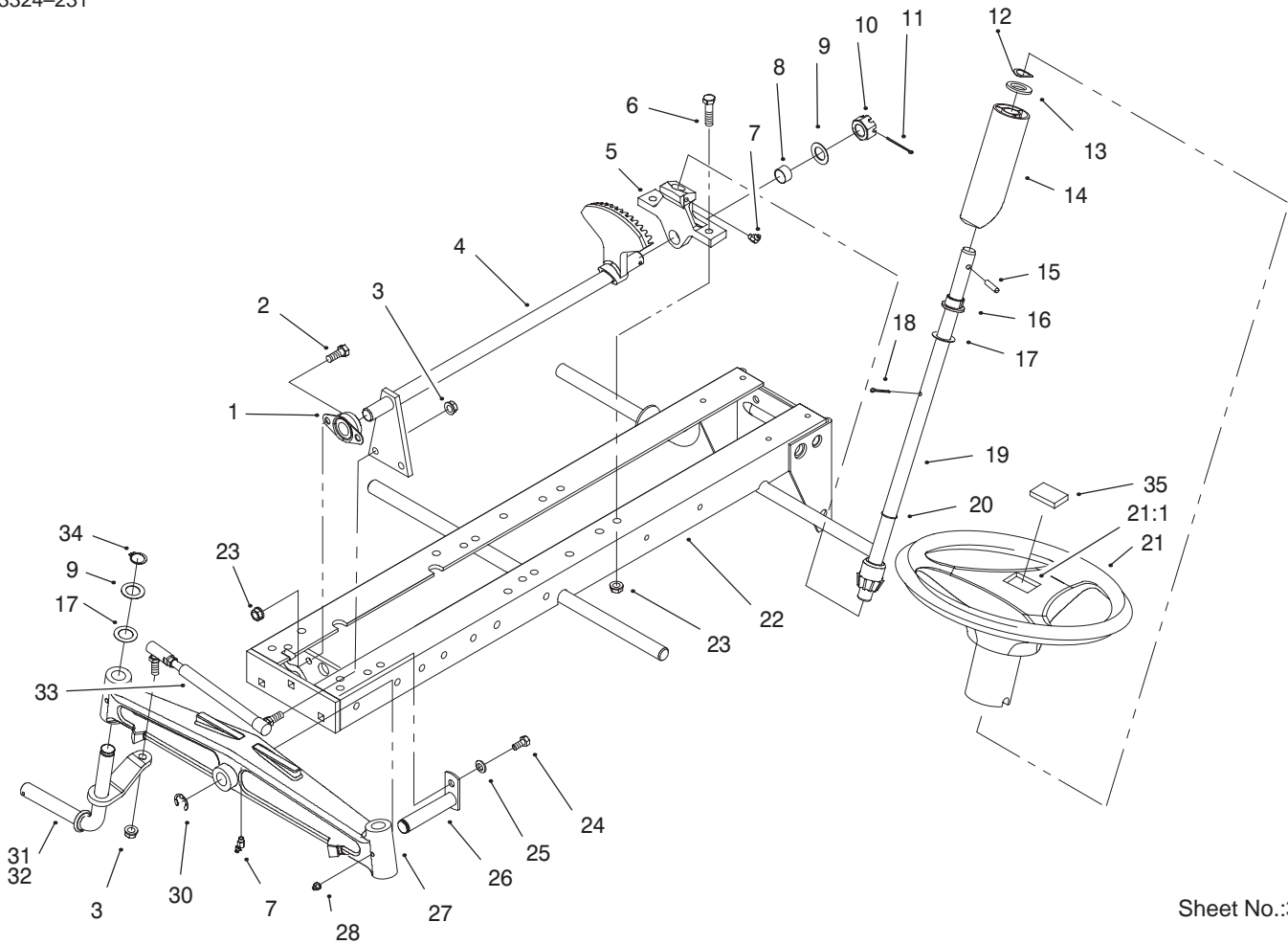
Abbreviation	Meaning	Abbreviation	Meaning
AR	as required	INC	incorporated
ASM	assembly	LH	left hand
CARR	carriage	NI	nylon insert
DEG	degrees	PPH	Phillips pan head
FH	flat head	PTH	Phillips truss head
GA	gauge	PTO	power take off
HF	hex flange	RH	right hand
HH	hex head	SFH	slotted fillister head
HHF	hex head flange	SHH	slotted hex head
HLH	hex lag head	SQH	square head
HJ	hex jam	SHWH	slotted hex washer head
HOC	height-of-cut	SPH	slotted pan head
HS	hex socket	SRH	slotted round head
HSBH	hex socket button head	STD	standard
HSFH	hex socket flat head	TAP	self tapping
HSH	hex socket head	TTH	Torx truss head
HWH	hex washer head	WH	wing head
HWHTF	hex washer head thread forming		



Sheet No.:2

Hood Assembly

Ref. No.	Part No.	Qty.	Description	Ref. No.	Part No.	Qty.	Description
1	109495	1	LH Bezel Headlight	28	112358-01	1	Hood Wa (Red)
2	109494	1	RH Bezel Headlight	29	100-8713	1	Decal-Maintenance
3	102881	2	Headlamp				
4	95-7679	1	Harness - Headlight				
5	109459	2	Lock Headlight				
6	9266714	2	Screw-HWH				
7	111757	1	Edging Console				
9	117432	4	Poprivet				
10	117344	2	Handle-Ass'y				
11	3296-42	4	Nut-Lock NI				
12	3256-22	4	Washer-Flat				
13	116747	1	Bracket-Grill L.h				
14	3229-25	4	Screw-CARR				
15	101850	1	Hood Stop Rod				
16	3272-1	2	Pin-Cotter				
17	5979	2	Nyliner Bushing				
18	105797	2	E-Ring				
19	116745	1	Rod-Grill Pivot				
20	116746	1	Bracket-Grill R.h				
22	3290-378	1	Tie-Cable				
23	94-3736	1	Logo - Horshead (Silver)				
24	92-9826	1	Decal - Frt Hood Top				
25	92-9825	1	Decal - RH Hood Top				
26	98-0750	1	Decal - Danger Hood				
27	92-9824	1	Decal - LH Hood Top				

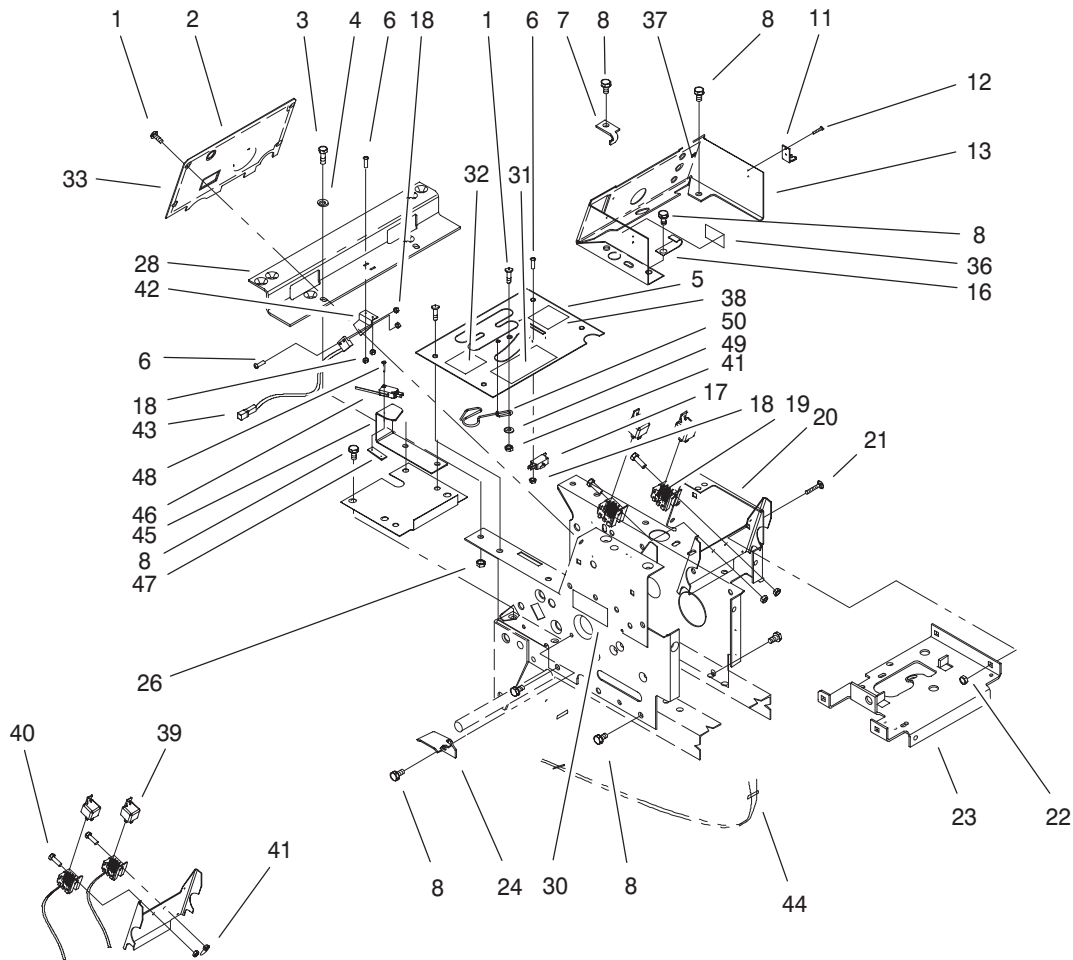


Sheet No.:3

Frame, Axle & Steering System

Ref. No.	Part No.	Qty.	Description
1	6472	1	Flanged Bearing
2	323-6	2	Screw-HH
3	3296-6	4	Nut-Lock NI
4	78-2880-03	1	Wlmt-Lwer Ster
5	88-2710-03	1	Support Lower Stg
6	323-8	2	Screw-HH
7	302-11	2	Zerk-45 Degree
8	6397	1	Bearing-Bronze
9	1278	3	Washer
10	32136-5	1	Nut-Sltd
11	3272-19	1	Pin-Cotter
12	7896	1	Bowed Washer
13	109262	2	Washer-Wheel
14	113443	1	Tube-Steering
15	32121-111	1	Pin-Roll
16	109189	1	Bearing-Flanged
17	5210	14	Shim Washer
18	3272-21	1	Cotter Pin
19	92-4987	1	Steering Shaft Wa
20	237-69	1	O-Ring
21	98-1473	1	Wheel-Steering, 15" Soft
21:1	98-1468	1	Cover - Wheel, Steering
22	94-6673-01	1	Wa Frame (Red)
23	3296-39	4	Nut-Lock NI

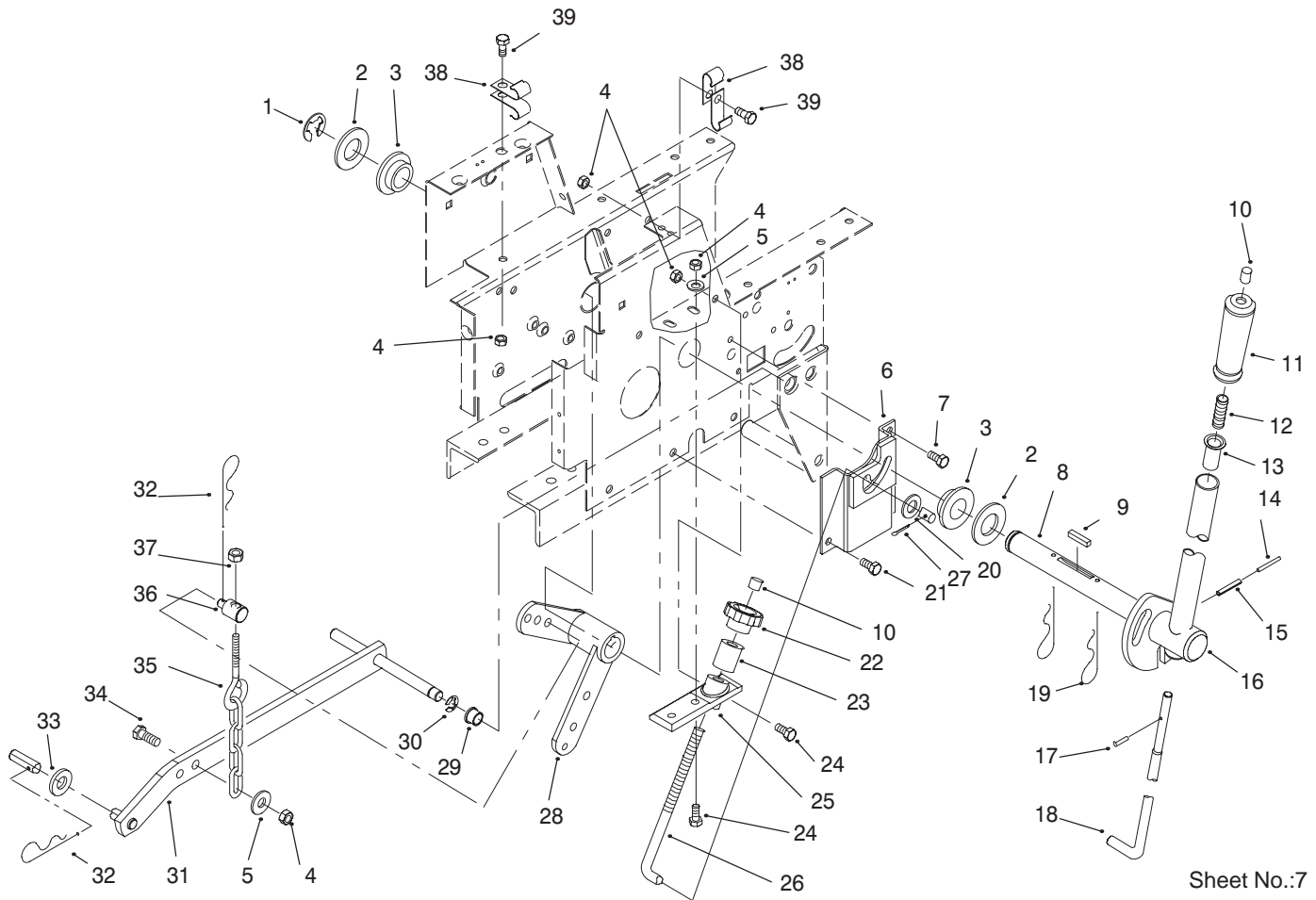
Ref. No.	Part No.	Qty.	Description
24	322-1	1	Screw-HH
25	3253-4	1	Washer-Lock/Sp
26	6216	1	Assy Pin & Plate
27	5638-01	1	Axle Front
28	302-5	2	Zerk
30	5618	1	E-Ring
31	113379-01	1	LH Spindle Wa* (only on: 73429)
31	113382-01	1	Spindle-RH, Wa (only on: 73449)
32	113381-01	1	Spindle-LH, Wa (only on: 73449)
32	113380-01	1	Spindle-RH, Wa (only on: 73429)
33	78-2900-01	2	Ass'y-Tie Rod (Red)
34	32120-93	2	Ex Hd S-Ring
35	98-1459	1	Decal - Urethane, Toro



Sheet No.:4

Hoodstand, Console Assembly

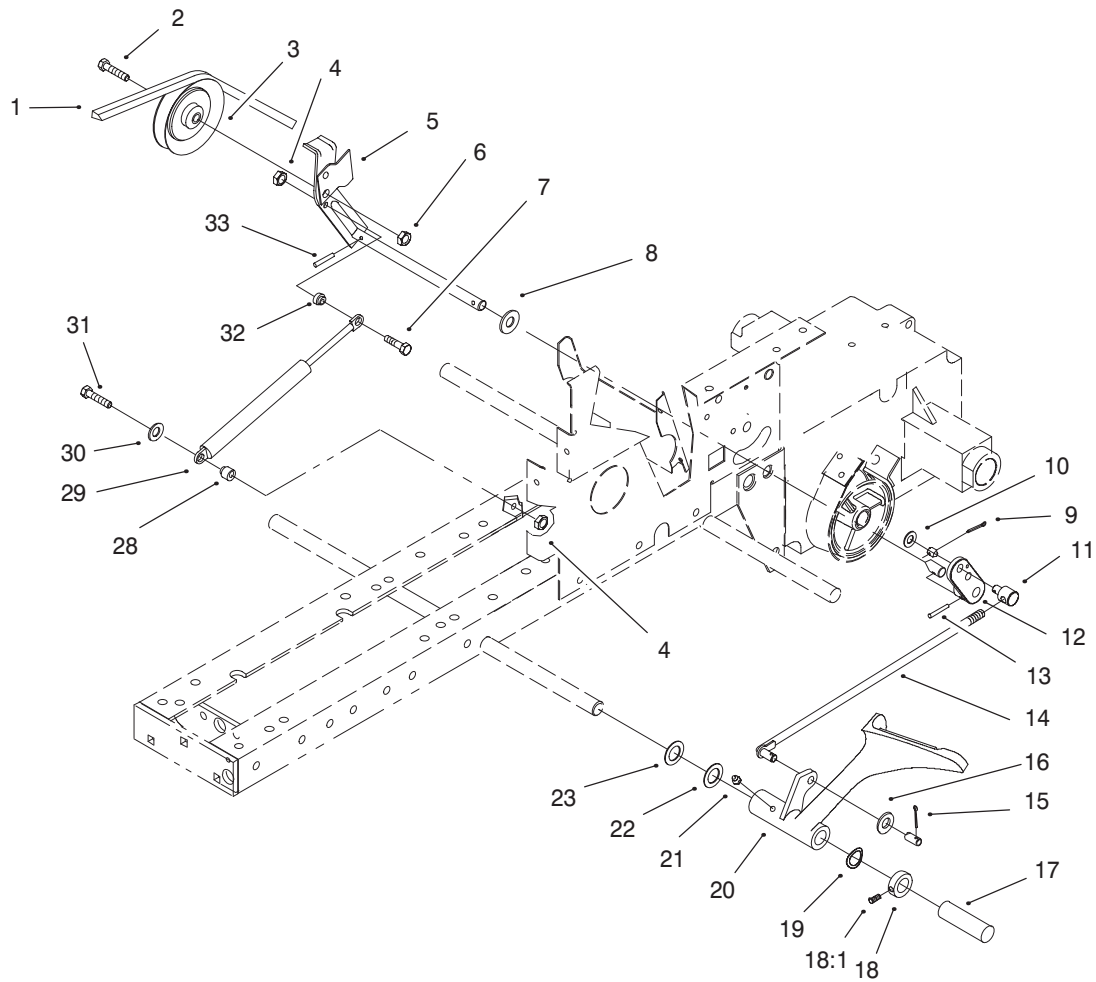
Ref. No.	Part No.	Qty.	Description	Ref. No.	Part No.	Qty.	Description
1	9108372	9	Screw Phc	24	88-2170-03	1	Brket-Blt Spt
2	95-7674-03	1	Plate-Hoodstand (only on: 73429)	26	3296-29	2	Nut-Lock NI
2	95-7675-03	1	Plate-Hoodstand (only on: 73449)	27	106250-03	1	Cover-Dust
3	322-5	2	Screw-HH	28	95-7665-03	1	Bracket-Fender
4	3256-23	2	Washer-Flat	30	92-9828	2	Decal - Model 312-8 (only on: 73429)
5	99-8026-03	1	Plate-Shift	30	92-9829	2	Decal - Model 314-8 (only on: 73449)
6	9109484	6	Screw Pchr	31	92-8946	1	Decal - Danger
7	112415	1	Stop-PTO	32	111534	1	Decal Shift Pattern
8	32144-14	11	Bolt	33	98-0675	1	Decal - Dash, Lower (only on: 73449)
11	117343	2	Keeper-Latch	33	98-0674	1	Decal - Dash, Lower (only on: 73429)
12	117432	4	Poprivet (only on: 73429)	36	111926	1	Decal Elect System
13	99-3669-03	1	Console (only on: 73429)	37	99-5342	1	Decal-Console (only on: 73429)
13	95-7670-03	1	Console (only on: 73449)	37	99-5341	1	Decal-Console (only on: 73449)
16	111392	1	J-Clip	38	111510	1	Decal-Parking-Brake
17	111332	1	Switch	39	98-7249	2	Relay-Spdt
18	9157324	6	Nut-Hex	40	3234-33	2	Screw-Hex Flange
19	107069	4	Clip	41	3296-42	3	Nut-Lock NI
20	95-7676-03	1	Wa - Hoodstand	42	95-7666	1	Brkt-Switch, Reed
21	116000	4	Bolt CARR.	43	95-7669	1	Switch - Reed, Magnetic
22	3296-29	4	Nut-Hex				
23	78-3010-03	1	Suport-Batery				



Sheet No.:7

Manual Lift System Assembly

Ref. No.	Part No.	Qty.	Description	Ref. No.	Part No.	Qty.	Description
1	32151-91	1	Tru Arc Ring	27	3272-10	1	Pin-Cotter
2	3256-62	2	Washer-Flat	28	78-1550	1	Wldmt-Lift Lever
3	106269	2	Bearing-Flange	29	6229	1	Bearing
4	3296-29	6	Nut-Lock NI	30	32120-47	1	E Ring-External
5	3256-23	3	Washer-Flat	31	113445-03	1	Lift Bar Wa
6	106411-03	1	Lift Lever Wa	32	9335054	2	Pin-Hair Cotter
7	32144-14	1	Bolt	33	3256-26	1	Washer-Flat
8	108565	1	Shaft-Lift Lever	34	322-6	1	Screw-HH
9	1121	1	Sq Key	35	106522	1	Chain-Lift
10	105316	2	Cap-Plunger Rod	36	6739	1	Stud-Lift
11	92-6710	1	Grip - Handle	37	3296-39	1	Nut-Lock NI
12	3624	1	Compression Spring	38	8830	4	Clip
13	8130	1	Retainer Spring	39	322-2	2	Screw-HH
14	32121-103	1	Pin-Sprl				
15	32121-25	1	Pin-Roll				
16	108563-03	1	Lift Handle Wa				
17	933148	1	Spirol Pin				
18	106257	1	Rod-Latch Lift				
19	9335074	2	Hair Pin Cotter				
20	3256-5	1	Washer-Flat				
21	9266964	2	Trs				
22	5280	1	Knob-Lift Control				
23	106258-03	1	Slev-Lift Adjs				
24	322-5	3	Screw-HH				
25	106345-03	1	Casting-Lift Lever				
26	110653	1	Rod Height Control				

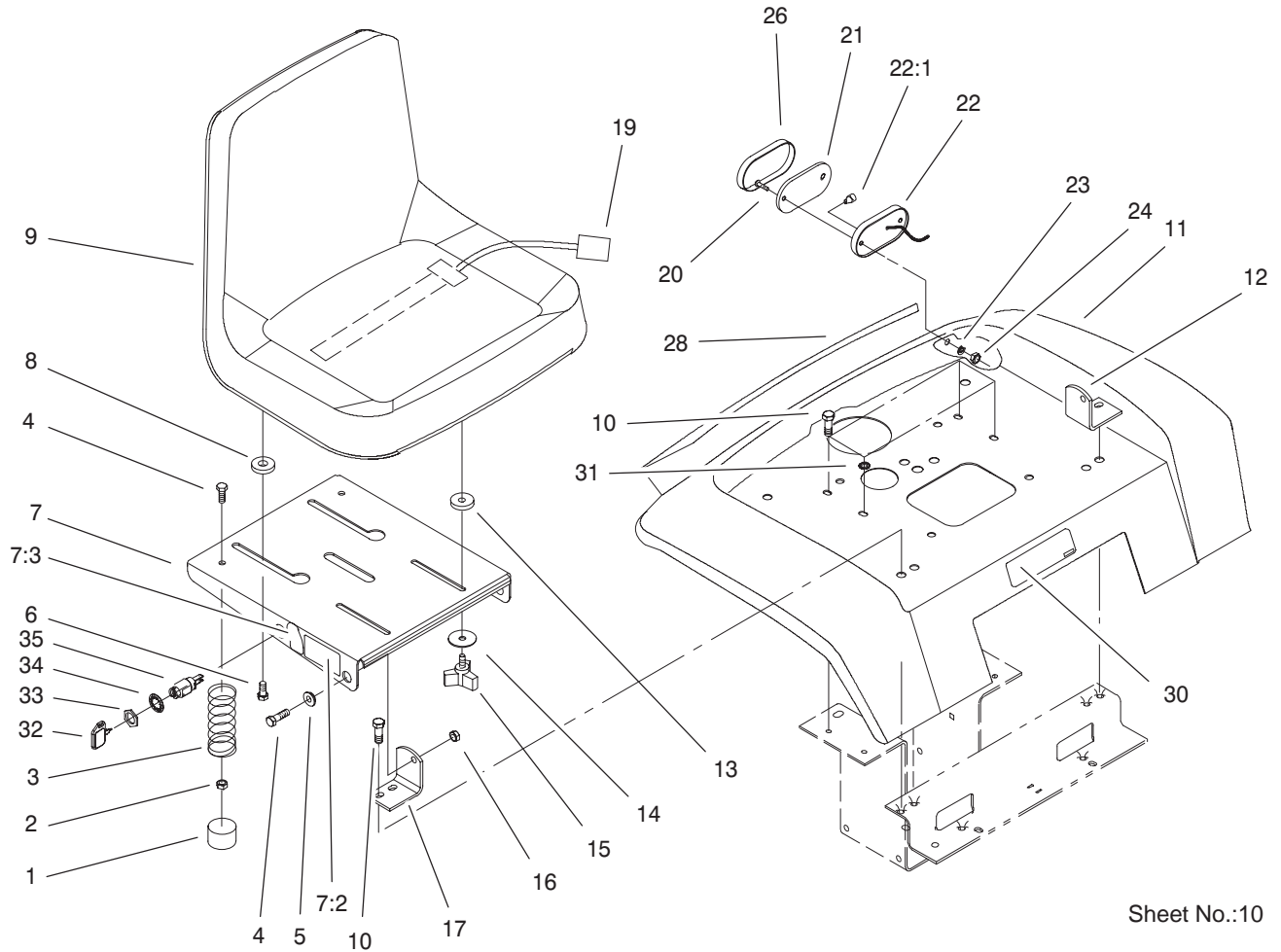


Sheet No.:8

Clutch System Assembly

Ref. No.	Part No.	Qty.	Description
1	93-9808	1	Belt - V
2	106193	1	Bolt-Special Hex
3	95-7668	1	Pulley - V, Idler
4	3296-42	2	Nut-Lock NI
5	98-1746	1	Idlr Arm w/A
6	32146-2	1	Nut-Lock NI
7	321-5	1	Screw-HH
8	3765	1	Washer Shim
9	3272-6	1	Pin-Cotter
10	3256-24	1	Washer-Flat
11	101161	1	Trunion
12	105896-03	1	Arm-Clutch Rod
13	933190	1	Spirol Pin
14	103347	1	Assy-Rod & Guide
15	3272-10	1	Pin-Cotter
16	920248	1	Washer-Nylon
17	94-6683	1	Sleeve - Protective
18	111383	1	Collar
18:1	3245-32	1	Screw-HS
19	7896	1	Bowed Washer
20	94-3703-01	1	Pedal-Brake, Clutch
21	302-5	1	Zerk
22	1278	1	Washer
23	9202254	1	Washer
28	78-3250	1	Spacer-Shoulder
29	78-3240	1	Ass'y-Gas Spring

Ref. No.	Part No.	Qty.	Description
30	3256-22	1	Washer-Flat
31	321-9	1	Screw-HH
32	78-3260	1	Spacer-Shoulder
33	933267	1	Spirol Pin

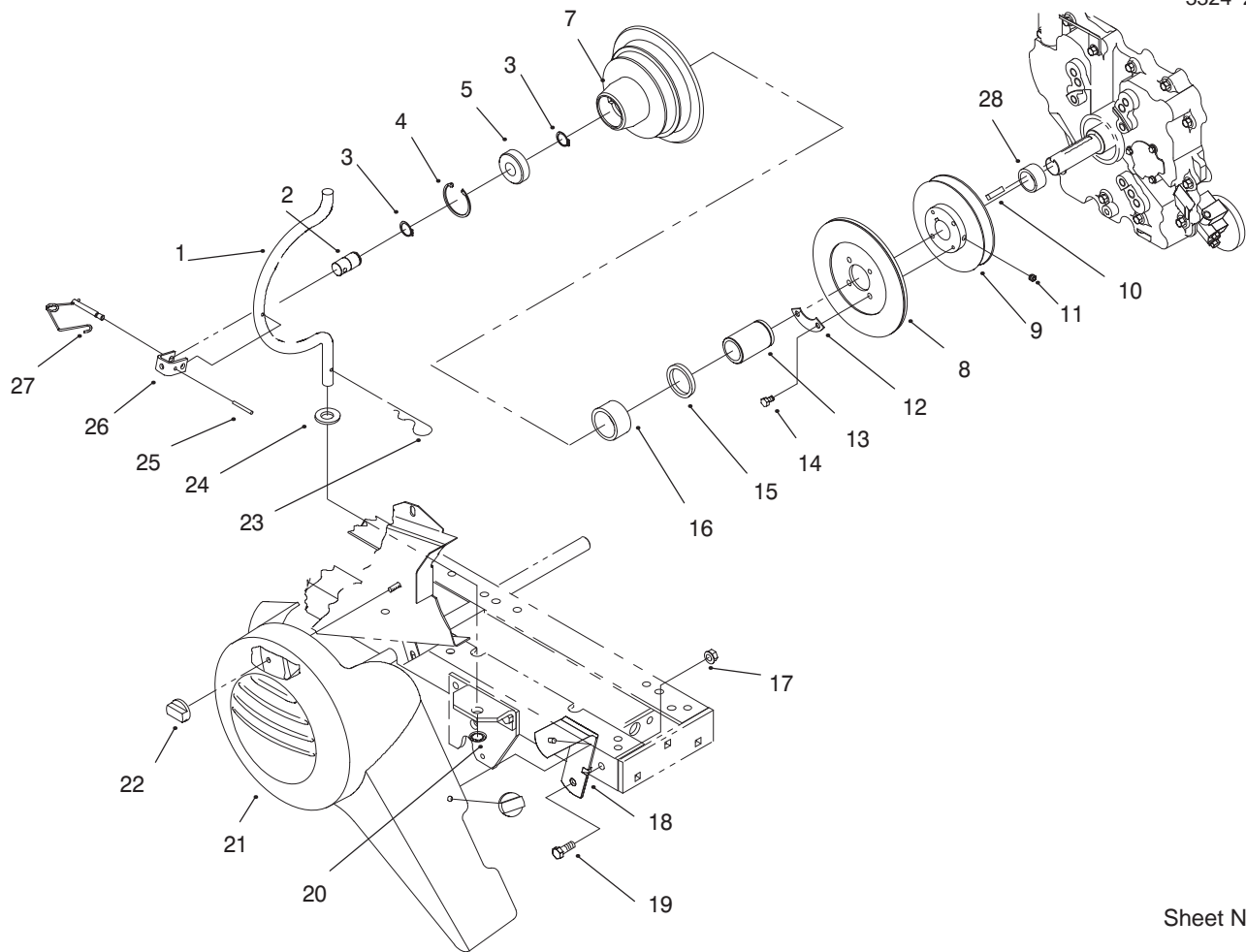


Sheet No.:10

Fender , Seat & Tail Lights/Reflectors Assembly

Ref. No.	Part No.	Qty.	Description
1	701178	2	Cap-Protector
2	3296-58	2	Nut-Lock NI
3	92-7054	2	Spring - Compression
4	322-4	4	Screw-HH
5	105503	2	Bushing
6	92-6986	2	Bolt - Shoulder
7	99-8031	1	Support-Seat, ASM
7:2	99-2985	1	Decal-Danger
7:3	99-5339	1	Decal-Nmir Switch
8	92-6750	2	Spacer - Nylon
9	92-6511	1	Seat V-511
10	32144-14	8	Bolt
11	94-3722-01	1	Fender
12	79-0970-03	1	Brkt-Pivot L.h.
13	109989	2	Spacer Nylon
14	94-2869	2	Washer
15	700806	2	Knob
16	3296-29	2	Nut-Lock NI
17	79-0950-03	1	Brkt-Pivot R.h.
19	38-1420	1	Switch-Seat
20	3250-31	4	Screw-PPH
21	108547	2	Reflector (only on: 73429)
22	105202	2	Base-Taillight (only on: 73449)
22:1	109045	2	Bulb (only on: 73449)

Ref. No.	Part No.	Qty.	Description
23	3254-1	4	Washer-Lock/Int (only on: 73449)
24	3296-27	4	Nut-Lock NI
26	112564	2	Lens-Tail Light (only on: 73449)
28	92-9827	1	Decal - Rear Fender
30	76-1340	1	Decal - USA
31	3255-8	1	Washer-Lock/Ext (only on: 73449)
32	62-7770	1	Key-Ignition
33	218-461	1	Nut-F/W And Other
34	3254-5	1	Washer-Lock/Int
35	46-5780	1	Switch-Starter

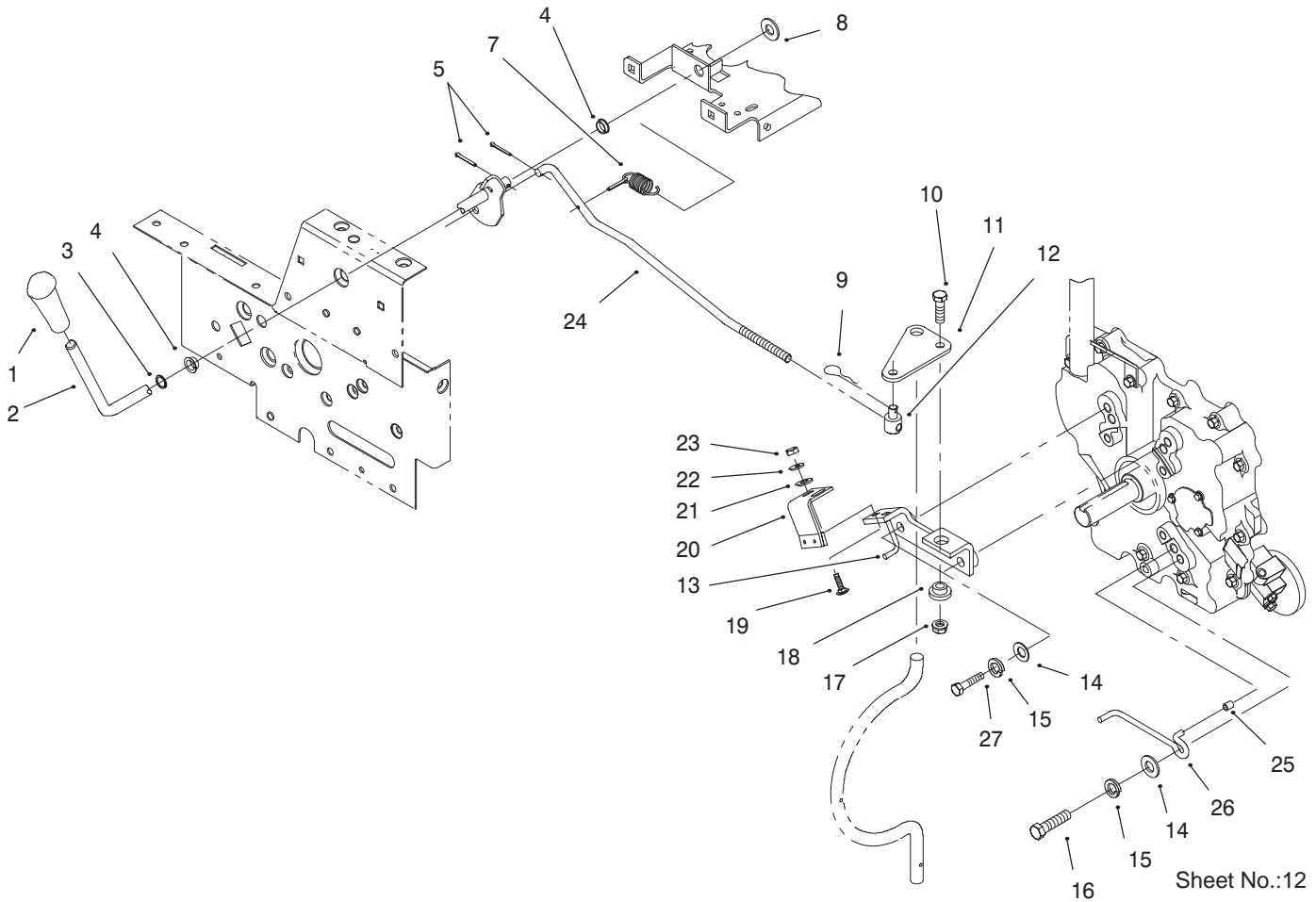


Sheet No.:11

PTO Clutch & Cover Assembly

Ref. No.	Part No.	Qty.	Description
1	113108	1	Rod-Housing
2	102872	1	PTO Shaft
3	32120-72	2	Ex Snap Ring
4	32120-62	1	In Snp Ring
5	109842	1	Bearing Ball
7	103478-01	1	Housing-Clutch
8	94-6650	1	Ass'y-Clutch Plate
9	7466	1	Pulley
10	105453	1	Key
11	3246-2	2	Hx So Ss
12	6659	2	Retainer
13	6658	1	Bearing Race
14	9080026	4	Hhcs
15	6663	1	Oil Seal
16	6662	1	Needle Bearing
17	32128-40	1	Flange Nut
18	94-3726-03	1	Brkt Wa-Belt Cover
19	323-6	1	Screw-HH
20	106695	1	Ring Reinforced Circ
21	94-3704	1	Guard - Belt
22	94-3735	2	Nut - Wing
23	9335064	1	Hair Pin Cotter
24	3256-27	1	Washer-Flat
25	933274	1	Pin
26	113107	1	Clevis

Ref. No.	Part No.	Qty.	Description
27	111314	1	Assy Pin Locking
28	100-3549	1	Spacer-Crankshaft

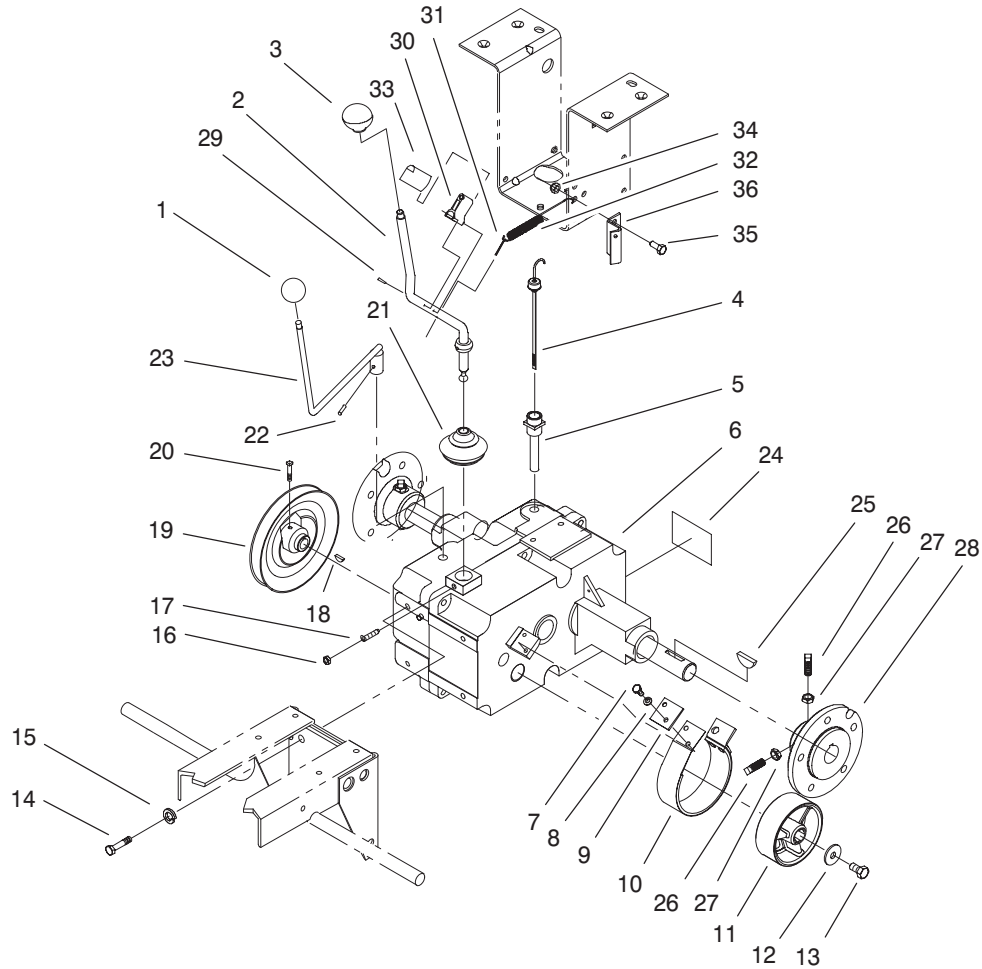


Sheet No.:12

PTO Clutch System & Belt Guide Assembly

Ref. No.	Part No.	Qty.	Description
1	94-3727	1	Knob
2	94-3701	1	ASM - PTO Clutch Lever
3	32151-11	1	Ex Grip Ring
4	5666	2	Bushing-Nyliner
5	3272-10	3	Pin-Cotter
7	103125	1	Spring
8	3765	1	Washer Shim
9	9335054	1	Pin-Hair Cotter
10	323-6	1	Screw-HH
11	110669	1	Plate
12	101161	1	Trunnion
13	98-1742-03	1	Wa-Brkt,Engine
14	3256-25	3	Washer-Flat
15	3253-6	3	Washer-Lock/Sp
16	324-5	1	Screw-HH
17	3296-59	1	Nut-Lock NI
18	104859	1	Spacer-Lift Link
19	3229-25	2	Screw-CARR
20	94-6652	1	Assy Brake
21	3256-22	2	Washer-Flat
22	3253-3	2	Washer-Lock/Sp
23	3218-1	2	Nut-Jam
24	111052	1	Rod PTO Clutch
25	112841	1	Cap#.234-5 Trim

Ref. No.	Part No.	Qty.	Description
26	98-1700	1	Wire - Guide, Belt
27	324-7	2	Screw-HH

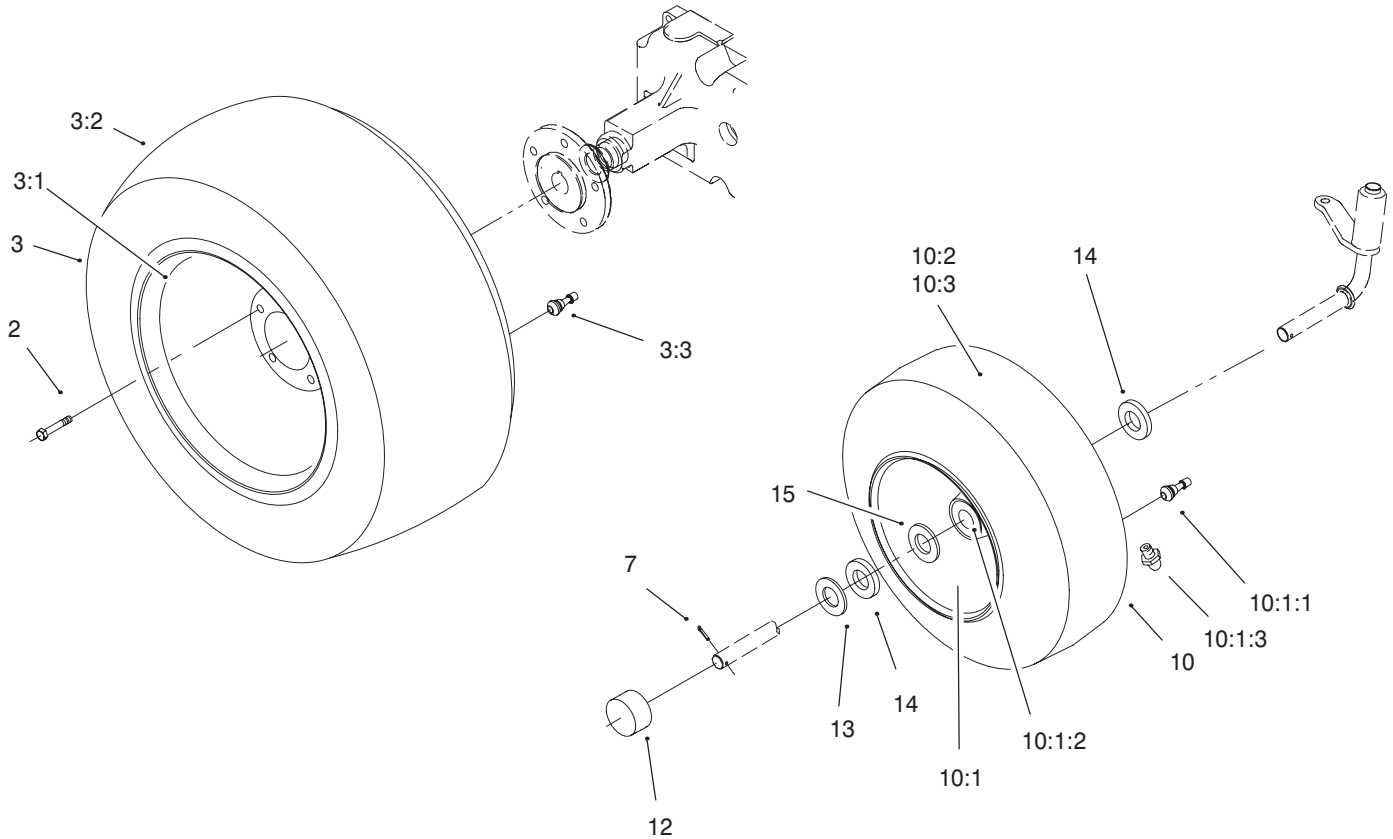


Sheet No.:14

Transaxle Assembly

Ref. No.	Part No.	Qty.	Description
1	83-2710	1	Knob
2	95-7684	1	ASM - Rod, Shift
3	108758	1	Knob
4	101847-03	1	Dipstick
5	102703	1	Trans Nipple
6	94-6670	1	Transmission ASM 8 Spd 4 (only on: 73429)
6	94-6671	1	Transmission ASM 8 Spd 8 (only on: 73449)
7	321-3	2	Screw-HH
8	3253-3	2	Washer-Lock/Sp
9	94-6696-03	1	Plate Brake
10	9593	1	Brake Band Assy
11	106719	1	Brake Drum
12	2844	1	Washer
13	110234	1	Hhcs
14	323-5	4	Screw-HH
15	3253-21	4	Washer-Lock/Sp
16	3217-5	1	Nut-Hex
17	1239	1	Set Screw
18	937221	1	Hi Pro Key
19	106165	1	Pulley Trans
20	3242-2	1	Sq Hd Ss
21	3577	1	Dust Cover

Ref. No.	Part No.	Qty.	Description
22	933184	1	Pinspirol
23	110727	1	Rod - Shift Wa
24	94-1834	1	Decal - Unidrive
25	937108	2	Woodruff Key
26	3243-5	4	Screw-Set
27	3218-3	4	Nut-Jam
28	105763-03	2	Hub-Whl
29	32121-97	2	Pin
30	95-7683	1	ASM - Clip, Magnet
31	3272-6	1	Pin-Cotter
32	110769	1	Spring Extension
33	98-1748	1	Shield - Magnet
34	3296-29	2	Nut-Lock NI
35	322-3	2	Screw-HH
36	99-8029-03	1	Bracket-Spring

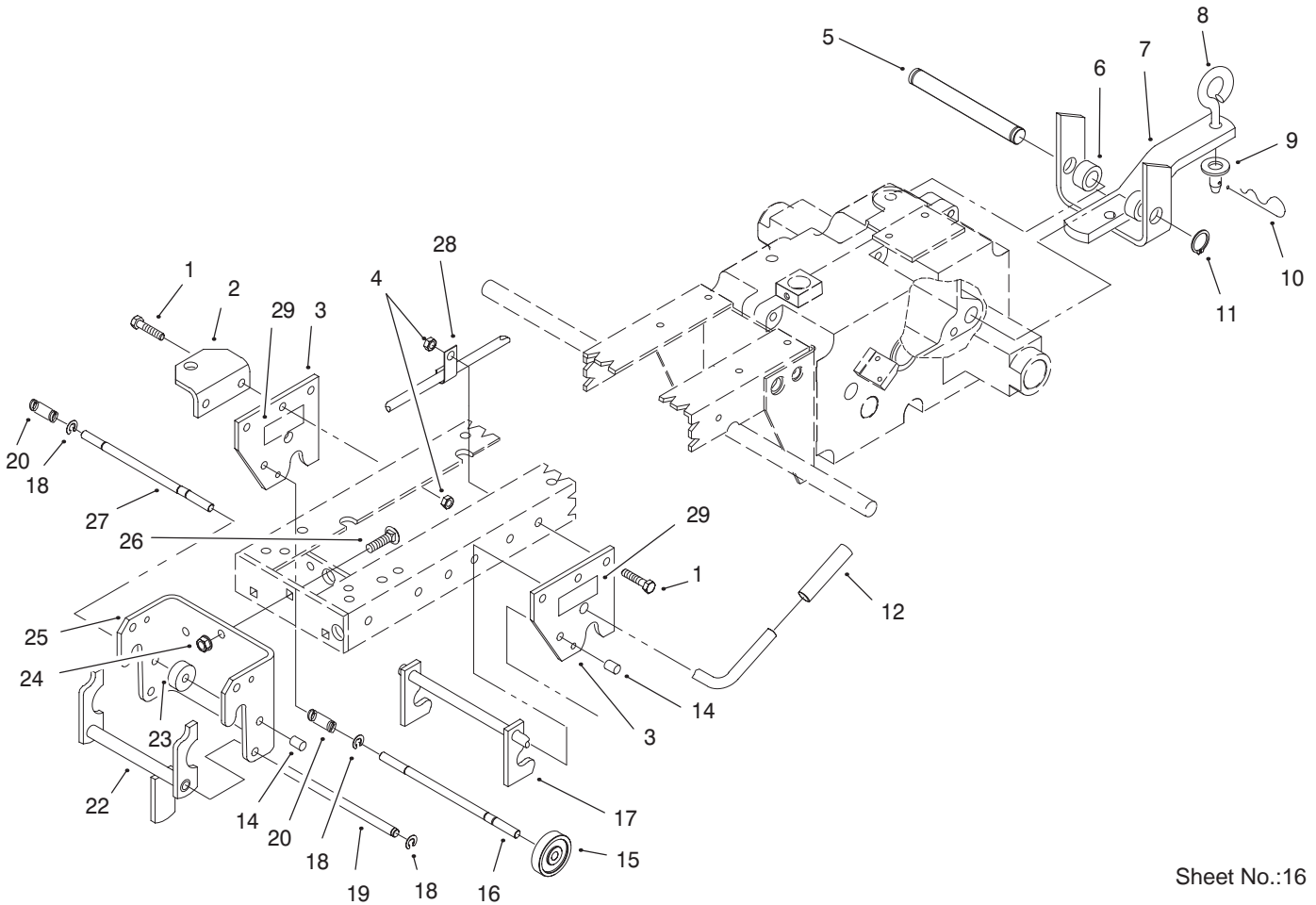


Sheet No.:15

Wheels Assembly

Ref. No.	Part No.	Qty.	Description
2	83-2720	10	Lug-Bolt
3		2	Ass'y-Tire 23x9.50-12 (only on: 73449)
3		2	Ass'y-Tire 23x850-12 (only on: 73429)
3:1	111516	1	Wheel
3:2	116744	1	Tire-23 X 950-12 (only on: 73449)
3:2	116742	1	Tire-23x8.50-12 2ply (only on: 73429)
3:3	5108	1	Valve-Tubeless Tire
7	3272-17	2	5/32 X 1-1/4 Cotter
10		2	Wheel ASM-Front-Toro (only on: 73449)
10		2	Ass'y Tire 15x600-6 (only on: 73429)
10:1	93-9801	1	ASM - Wheel w/Zerk (only on: 73449)
10:1	117285	1	Ass'y-Wheel (only on: 73429)
10:1:1	5108	1	Valve-Tubeless Tire (only on: 73449)
10:1:2	110513	2	Bearing Wheel (only on: 73449)

Ref. No.	Part No.	Qty.	Description
10:1:3	109500	1	Zerk-Grease (only on: 73449)
10:2	116884	1	Tire-15 X 6.00-6 (only on: 73429)
10:3	117127	1	Tire (only on: 73449)
12	61-9780	2	Cap-Hub
13	28-2480	2	Washer
14	1278	4	Washer
15	5210	2	Shim Washer

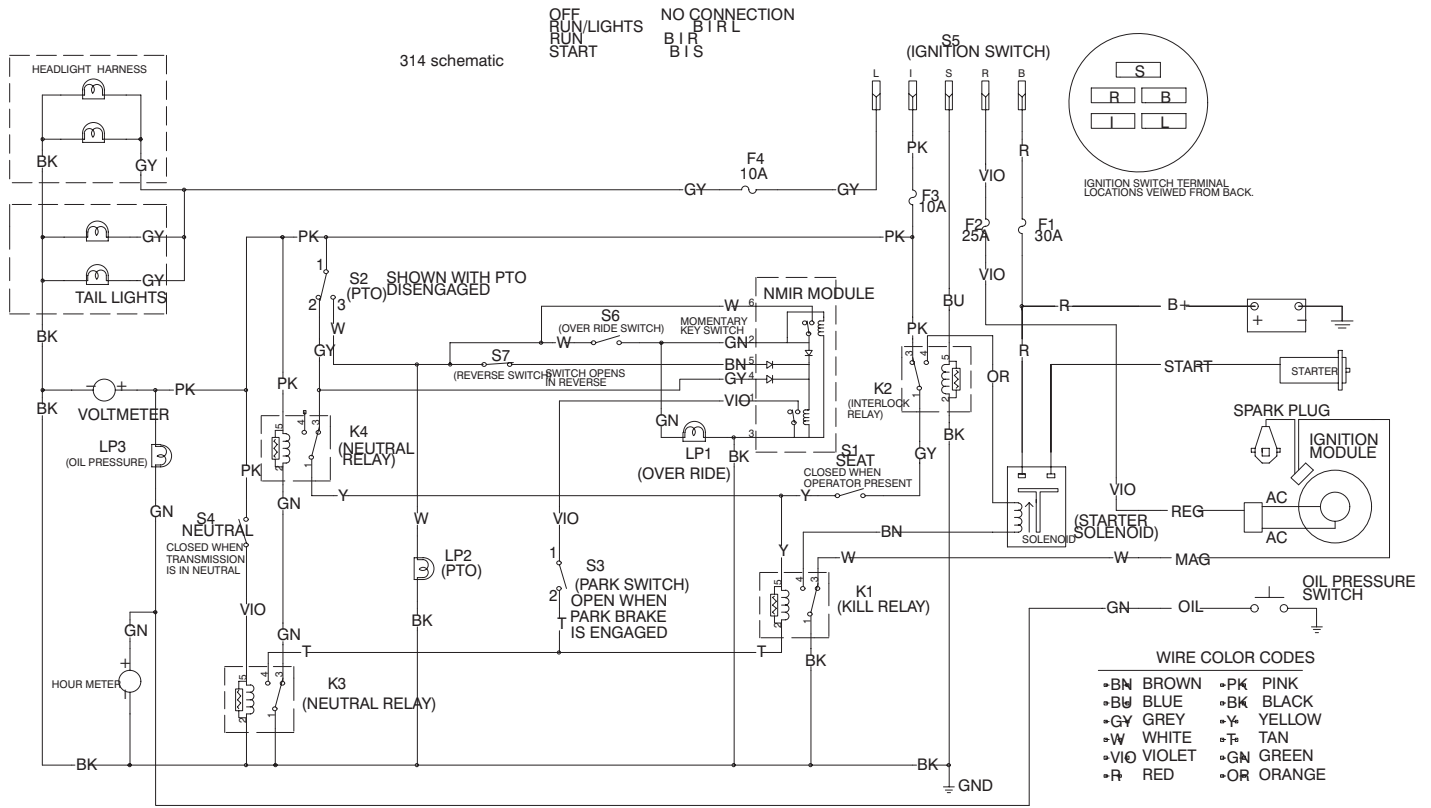


Sheet No.:16

Hitch Assembly

Ref. No.	Part No.	Qty.	Description
1	323-44	6	Screw-HH
2	102870-01	1	Support
3	102644-01	2	Hitch Plate
4	108881	6	Nut-Differential
5	105269	1	Pin-Stationary Hitch
6	9791204	2	Spacer
7	98-8083-01	1	Hitch Wa
8	106634	1	Pin-Tool
9	3256-26	1	Washer-Flat
10	9335054	1	Pin-Hair Cotter
11	5618	2	E-Ring
12	9038	1	Grip
14	105316	2	Cap-Plunger Rod
15	101017	1	Lock
16	83-6520	1	Rod-Lock
17	117930	1	Wldmt-Mid Hitch
18	105797	8	E-Ring 3/8 Shaft
19	101750	1	Rod Latch Pivot
20	8616	2	Spring
22	93-1613	1	Assy-Latch Wa
23	101707	1	Lock
24	3296-39	3	Nut-Lock NI
25	101711-01	1	Front Hitch (Red)
26	3231-25	3	Screw-CARR
27	101751	1	Rod Lock
28	8830	1	Clip

Ref. No.	Part No.	Qty.	Description
29	92-8747	2	Decal Attach-A-Matic

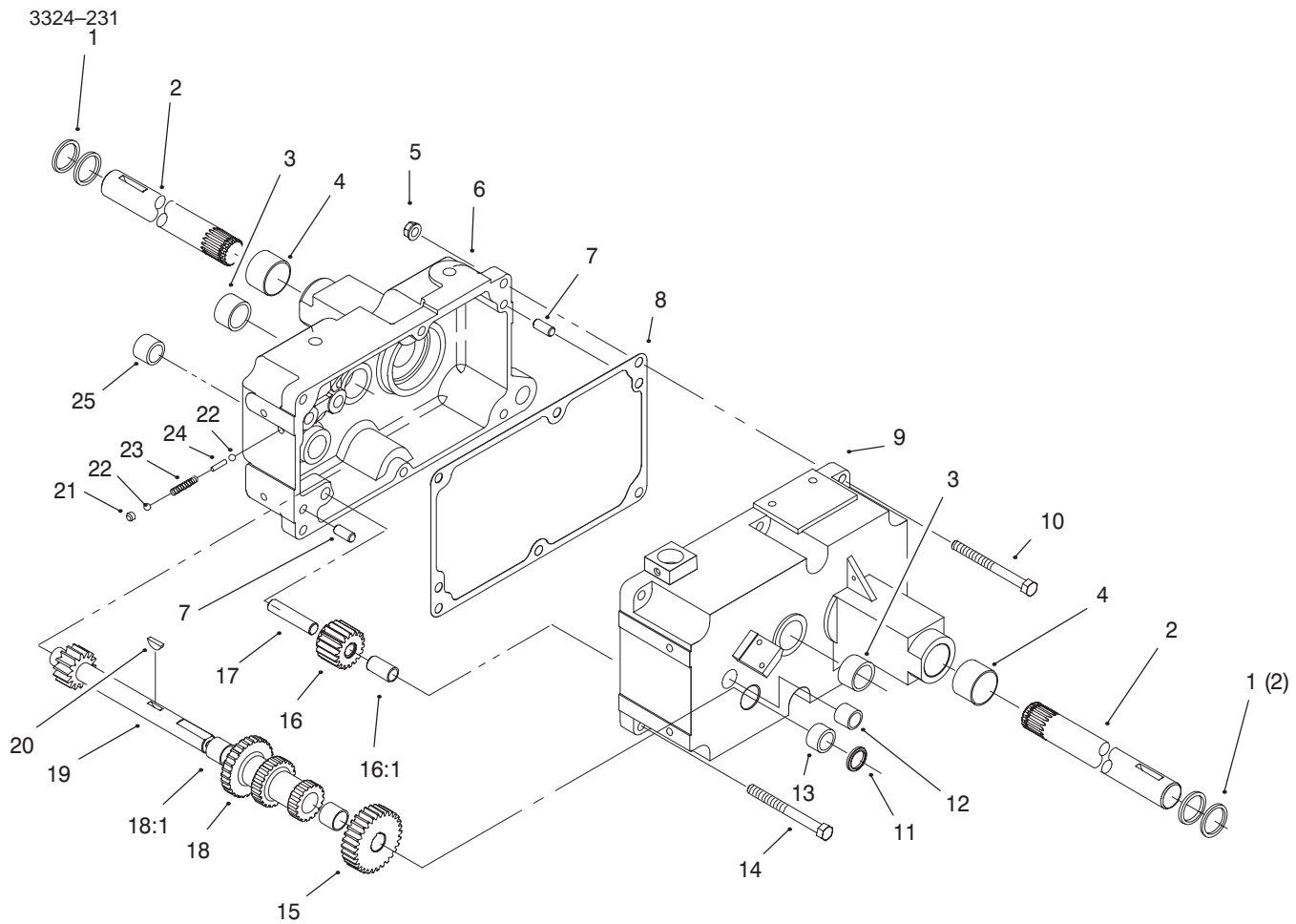


Sheet No.:

Electrical Schematic (Model 7349 Only)

Ref. No.	Part No.	Qty.	Description
F1	Nn10277	1	Fuse-30 Amp
F2	109102	1	Fuse-25 Amp
F3 & F4	114594	2	Fuse-10 Amp

Ref. No.	Part No.	Qty.	Description

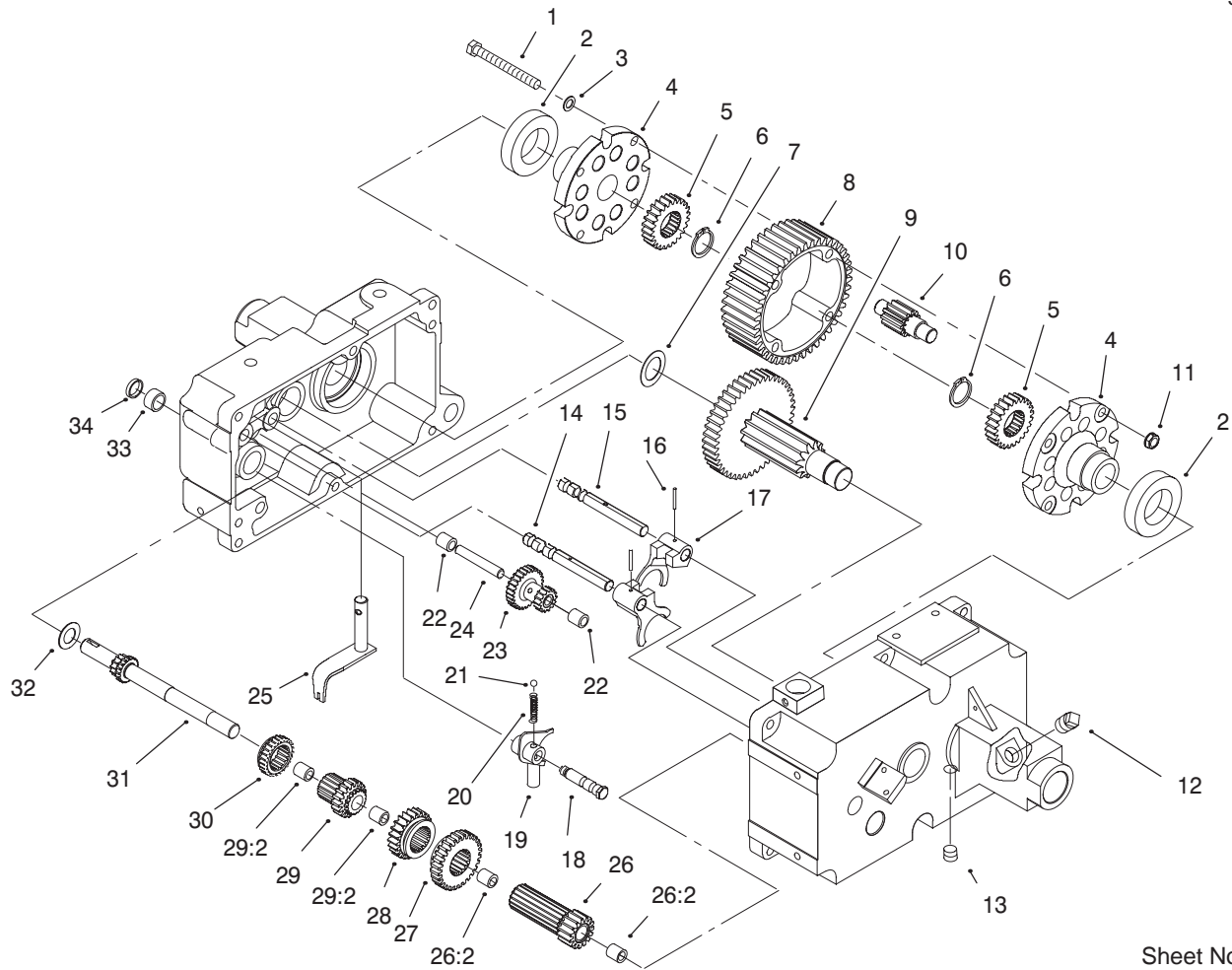


Sheet No.: 101

Transmission 8-Speed 4 Pinion (Model 73429 Only)

Ref. No.	Part No.	Qty.	Description
1	100443	4	Seal-Oil
2	105875	2	Axle-Rear
3	1532	2	Bearing-Needle
4	9416	1	Bearing-Needle
5	3296-39	6	Nut-Lock
6	111200-01	1	Case-Trans
7	3915	2	Pin-Dowel
8	3912	1	Gasket-Transmission
9	95-5143-01	1	Case-Trans
10	323-16	1	Screw-HH
11	100441	1	Seal-Oil
12	83-2890	1	Bearing-Needle
13	1523	1	Bearing-Needle
14	323-11	5	Screw
15	3527	1	Gear-Cluster
16	4204	1	Gear-Idler
16:1	1516	1	Bushing
17	3909	1	Pin
18	7269	1	Gear Cluster ASM
18:1	1504	2	Bushing
19	83-3530	1	Shaft-Cluster
20	937089	1	Key-Woodruff
21	1243	1	Plug-Cup
22	3517	2	Ball-Detent
23	106030	1	Spring-Stop

Ref. No.	Part No.	Qty.	Description
24	5614	1	Pin-Shift
25	1529	1	Bearing-Needle

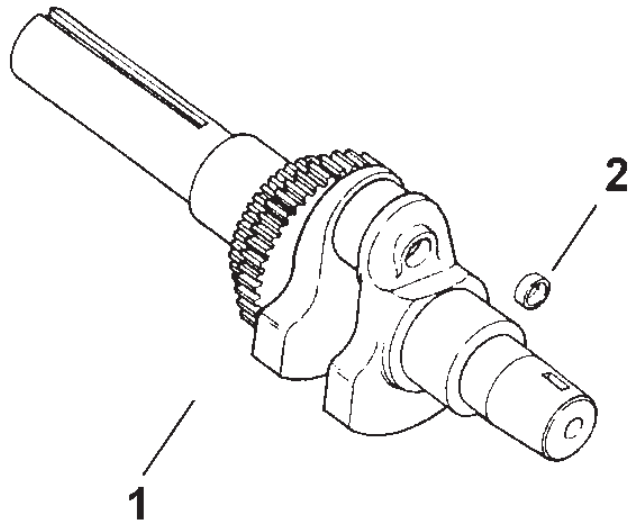


Sheet No.: 102

Transmission 8-Speed 4 Pinion (cont.) (Model 73429 Only)

Ref. No.	Part No.	Qty.	Description
1	911423	4	Screw-HH
2	111199	2	Bearing-Ball
3	107374	4	Washer-Flat
4	111196	2	Cap-End
5	101889	2	Gear-Axle
6	105876	2	Ring-Retaining
7	9547	1	Washer-Thrust
8	105061	1	Gear-Differential
9	102974	1	Gear-ASM
10	101623	4	Gear-Pinion
11	108881	1	Nut-Hex
12	281-2	1	Plug-Pipe
13	99-8551	1	Plug-Pipe
14	5615	1	Rail-Shift
15	5616	1	Rail-Shift
16	933156	2	Pin-Spirol
17	3503	2	Fork-Shift
18	7213	1	Screw-Detent
19	116636	1	Fork ASM
20	106030	1	Spring-Stop
21	3517	1	Ball-Detent
22	7207	1	Bearing-Needle
23	7206	1	Gear-Reduction
24	7208	1	Shaft-Gear
25	7214	1	Lever-Shift
26	5175	1	Gear ASM

Ref. No.	Part No.	Qty.	Description
26:2	1518	2	Bearing-Needle
27	5174	1	Gear-Low And Reverse
28	5173	1	Gear-Hi & 2nd
29	7204	1	Gear ASM
29:2	1518	2	Bearing-Needle
30	7205	1	Gear-Sliding
31	7201	1	Shaft-Input
32	7418	1	Washer-Thrust
33	1542	1	Bearing-Needle
34	100442	1	Seal-Oil

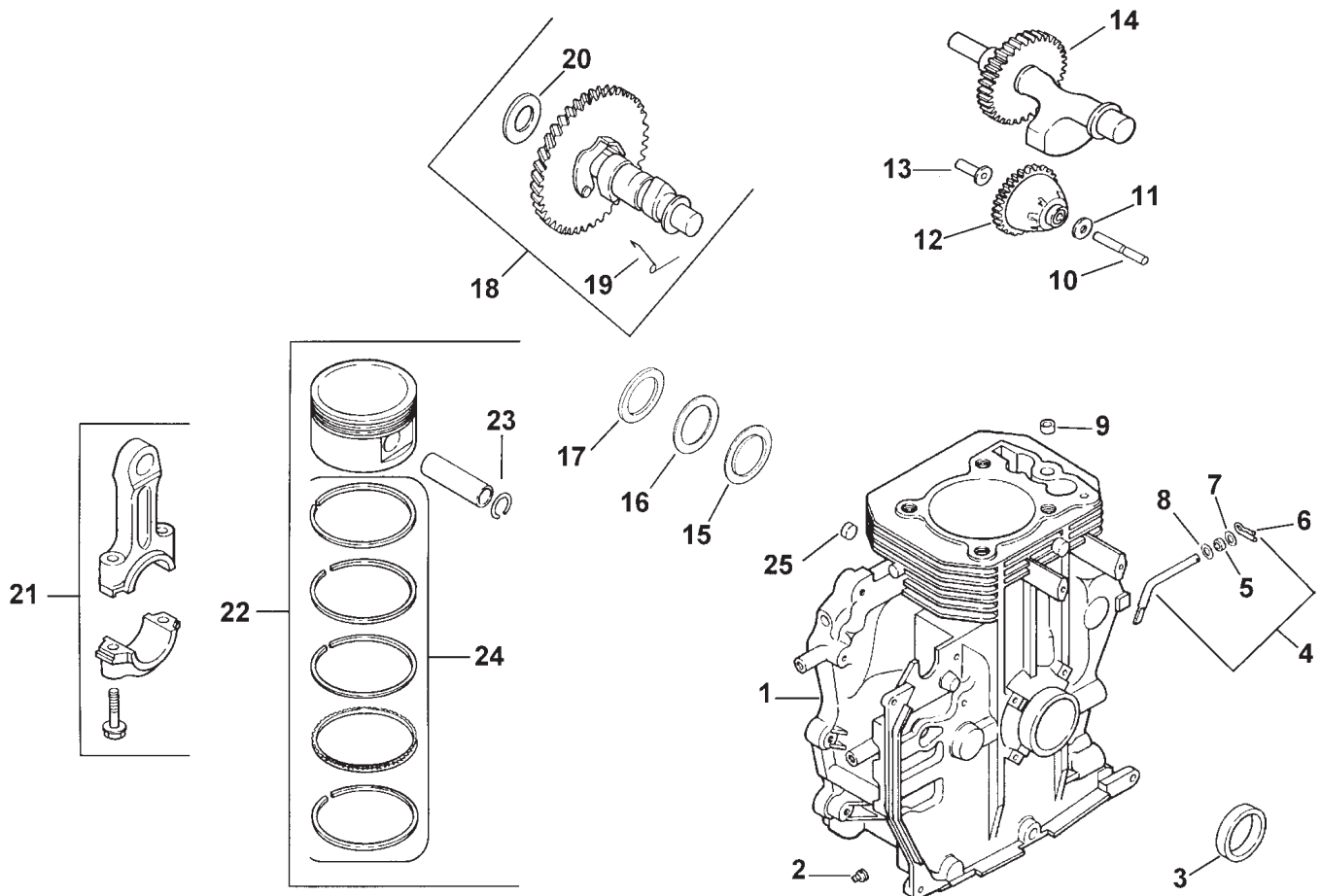


Crankshaft (Model 73429 Only)

Ref. No.	Part No.	Qty.	Description
1	12 014 48	2	Crankshaft (Incl. # 2)
2	12 139 01	2	Plug, cup

Ref. No.	Part No.	Qty.	Description

Kohler Engine CH12.5PS-1935
 Obtain Parts From Kohler

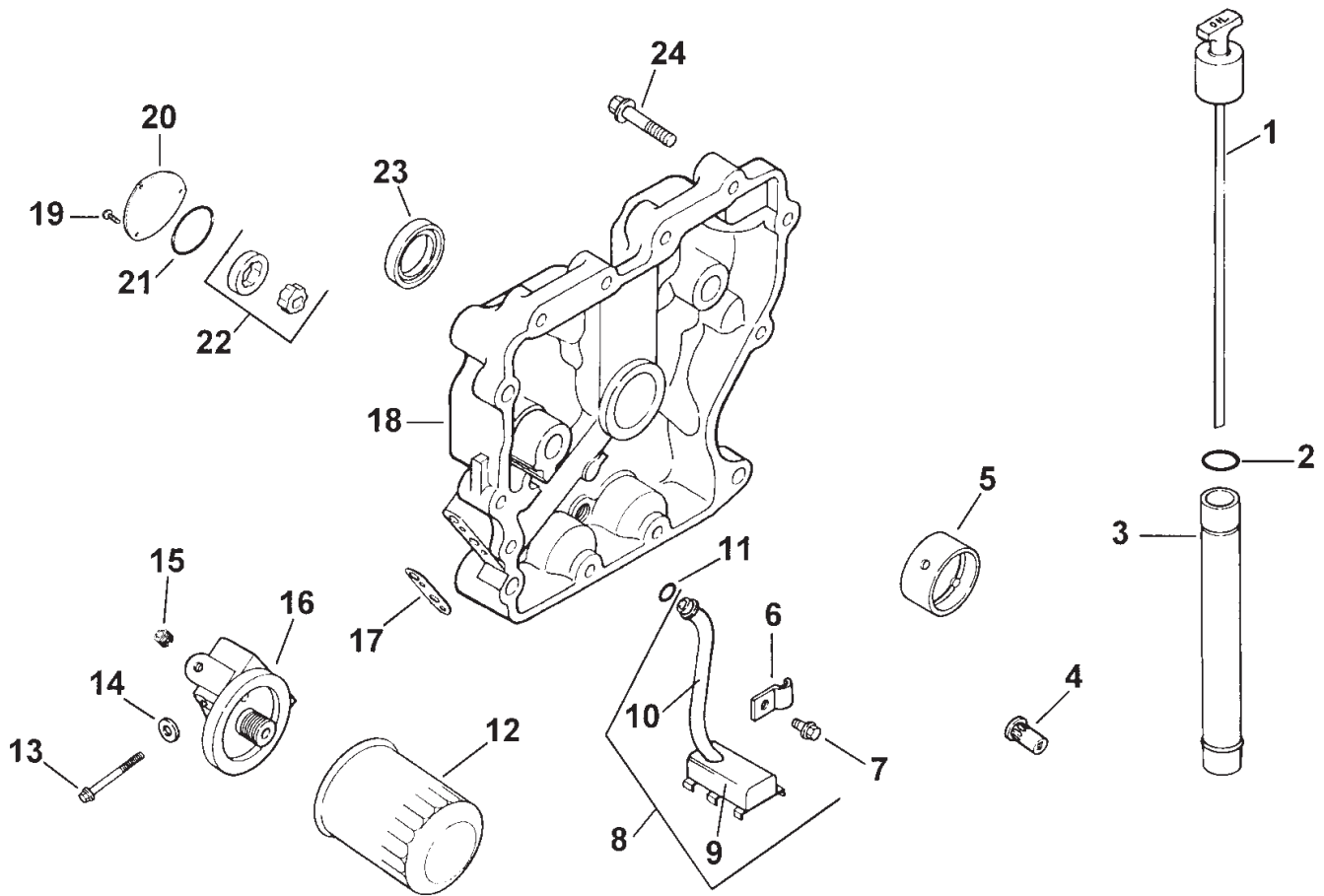


Crankcase (Model 73429 Only)

Ref. No.	Part No.	Qty.	Description
1		1	Short Block
2	X-75-10	2	Plug, solid sq. hd. 3/8
3	12 032 03		Seal, crankshaft
4	12 755 64	6	Kit, governor cross shaft (Includes # 6)
5	12 032 01		Seal, governor cross shaft
6	12 154 05		Clip, hitch pin
7	X-25-102		Washer, plain 1/4
8	M-0631015		Washer, plain 6 mm
9	12 380 17	4	Dowel, locating
10	12 144 02		Shaft, governor gear
11	M-0631005		Washer, plain 6 mm
12	12 043 05		Gear, governor
13	12 380 01		Pin, governor regulating
14	12 144 26		Shaft, balance
15	24 030 08		Bearing, thrust
16	52 114 04		Washer, thrust
17	24 422 04		Shim, thrust
18	12 755 50		Kit, camshaft (Includes
19	12 089 31		Spring, actuating
20	12 422 08		Shim, camshaft (A.R.) blue

Ref. No.	Part No.	Qty.	Description
	12 422 09		Shim, camshaft (A.R.) red
	12 422 10		Shim, camshaft (A.R.) yellow
	12 422 11		Shim, camshaft (A.R.) green
	12 422 12		Shim, camshaft (A.R.) gray
	12 422 13		Shim, camshaft (A.R.) black
	12 422 07		Shim, camshaft (A.R.) white
21	12 067 05	1	Connecting Rod (Std.)
	12 067 06		Connecting Rod (.25)
22	12 874 01		Piston w/Ring Set (Std.) (Includes 23,24)
	12 874 02		Piston w/Ring Set (.25)
	12 874 03		Piston w/Ring Set (.50)
23	12 018 02		Retainer, piston pin
24	12 108 01		Ring Set (Std.)
	12 108 02		Ring Set (.25)
	12 108 03		Ring Set (.50)
25	52 139 09		Plug, cup

Kohler Engine CH12.5PS-1935
Obtain Parts From Kohler

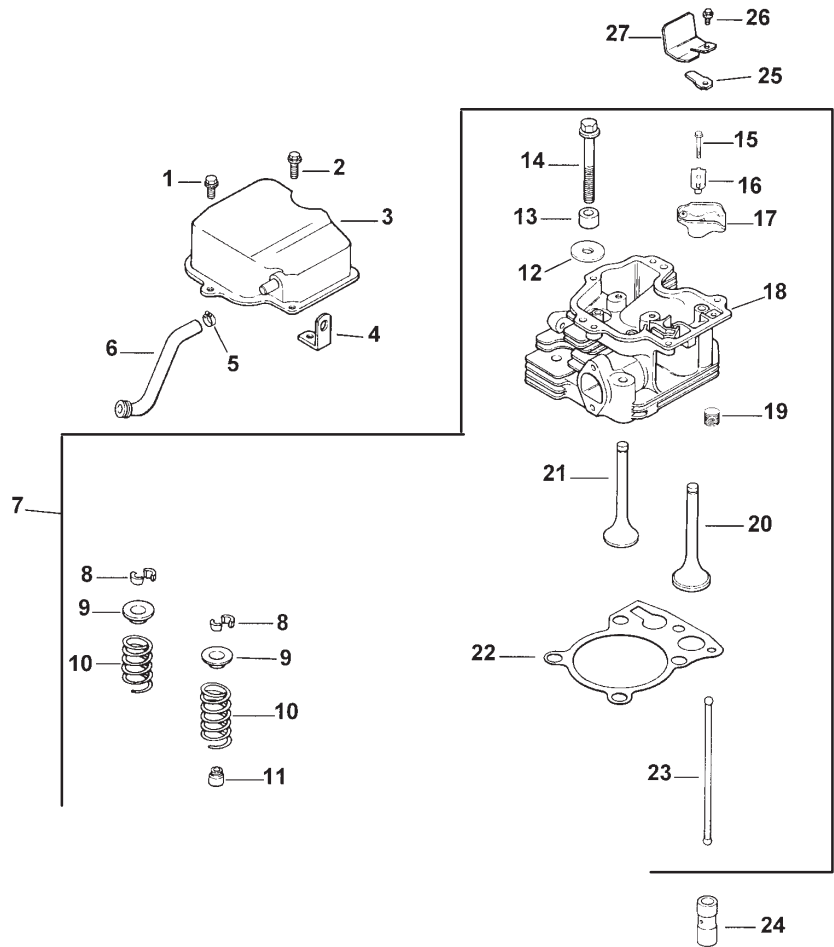


Oil Pan / Lubrication (Model 73429 Only)

Ref. No.	Part No.	Qty.	Description
1	47 038 26		Dipstick
2	41 153 01		O-Ring, oil fill tube
3	24 123 11		Tube, oil fill
4	25 462 09		Valve, oil pressure relief
5	12 030 05		Bearing, crankshaft
6	52 154 01		Clip
7	M-0545016		Screw ,hex.flange M5x0.8x16
8	12 755 73		Kit, oil pick-up (Includes 9,10)
9	25 381 01		Pick-up, oil screen
10	12 123 21		Tubing, oil pick-up
11	12 153 04		O-Ring, oil pick-up
12	52 050 02		Filter, oil
13	M-0651060	2	Screw, hex. flange M6x1.0x60
14	X-25-12	2	Washer, plain 1/4
15	X-75-23		Plug, allen hd. 1/8" pip
16	12 029 01		Adapter, oil filter
17	12 041 07		Gasket, oil filter adapter
18	1200936		Plate, closure Asm (Includes 4,5,19-22)
19	M-0545016	3	Screw, hex. flange M5x0.8x16

Ref. No.	Part No.	Qty.	Description
20	12 096 21		Cover, oil pump
21	12 153 05		O-Ring, oil pump cover
22	12 393 01		Pump, oil
23	12 032 03		Seal, oil (P.T.O. end)
24	24 086 16	11	Screw, hex. flange M8x1.25x45
24	24 086 17		Screw, hex. flange M8x1.25x45

Kohler Engine CH12.5PS-1935
 Obtain Parts From Kohler

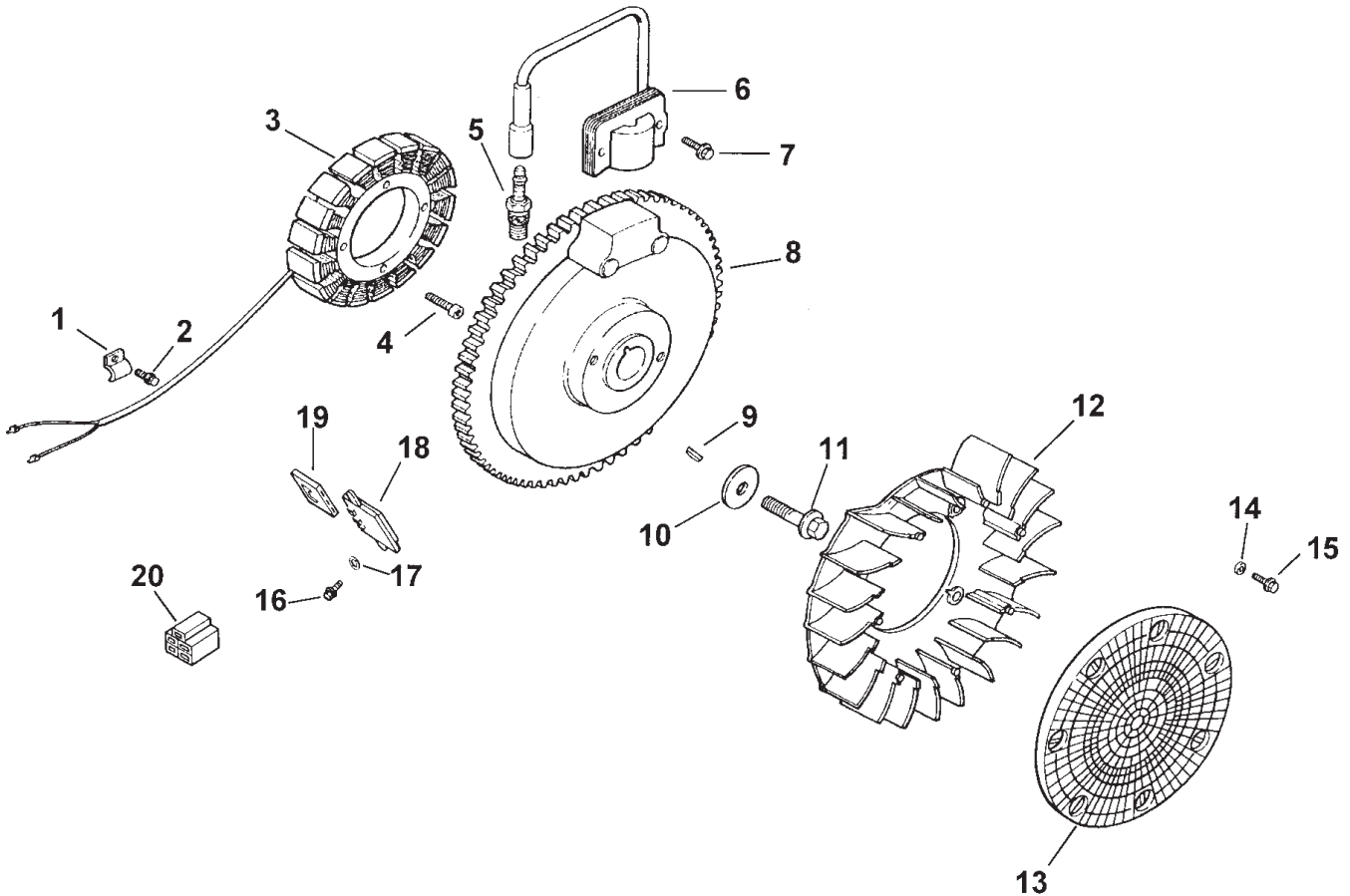


Cylinder Head / Valve & Breather (Model 73429 Only)

Ref. No.	Part No.	Qty.	Description
1	M-0645020	4	Screw, hex. flange M6x1.0x20
2	M-0645025		Screw, hex. flange M6x1.0x25
3	12 096 07		Cover, valve w/nipple
4	12 445 05		Strap, lifting (PTO side)
5	X-426-9		Clamp, hose
6	12 326 09		Hose, breather
7	12 041 01		Kit, cylinder head (Includes 8-23,
	12 041 02	2	carburetor gasket , air cleaner, base gasket, & exhaust manifold gasket)
	12 041 03		
	12 755 81		
8	12 755 03	2	Kit, retainer
9	12 173 01	2	Cap, valve spring
10	12 089 01	2	Spring, valve
11	24 032 05	2	Seal, valve stem
12	12 468 05		Washer, plain 13/32
13	12 112 13		Spacer, head bolt exhaust port
14	12 086 15	5	Screw, hex. flange M10x1.5x81
15	M-0640034	2	Screw, hex. flange M6x1.0x34

Ref. No.	Part No.	Qty.	Description
16	12 599 03	2	Pivot, rocker arm
17	25 186 01	2	Arm, rocker
18	12 318 19		Head, cylinder
19	X-75-23		Plug, allen hd. 1/8 pipe
20	12 017 01		Valve, intake (Std.)
21	12 016 01		Valve, exhaust (Std.)
22	12 041 08		Gasket, cylinder head
23	12 411 01	2	Rod, push
24	12 351 02	2	Lifter, valve
25	12 402 02		Reed, breather
26	M-0545010		Screw, hex. flange M5x0.8x10
27	12 018 03		Retainer, breather reed Not Illustrated
	12 017 02		Valve, intake (.25)
	12 016 02		Valve, exhaust (.25)

Kohler Engine CH12.5PS-1935
Obtain Parts From Kohler

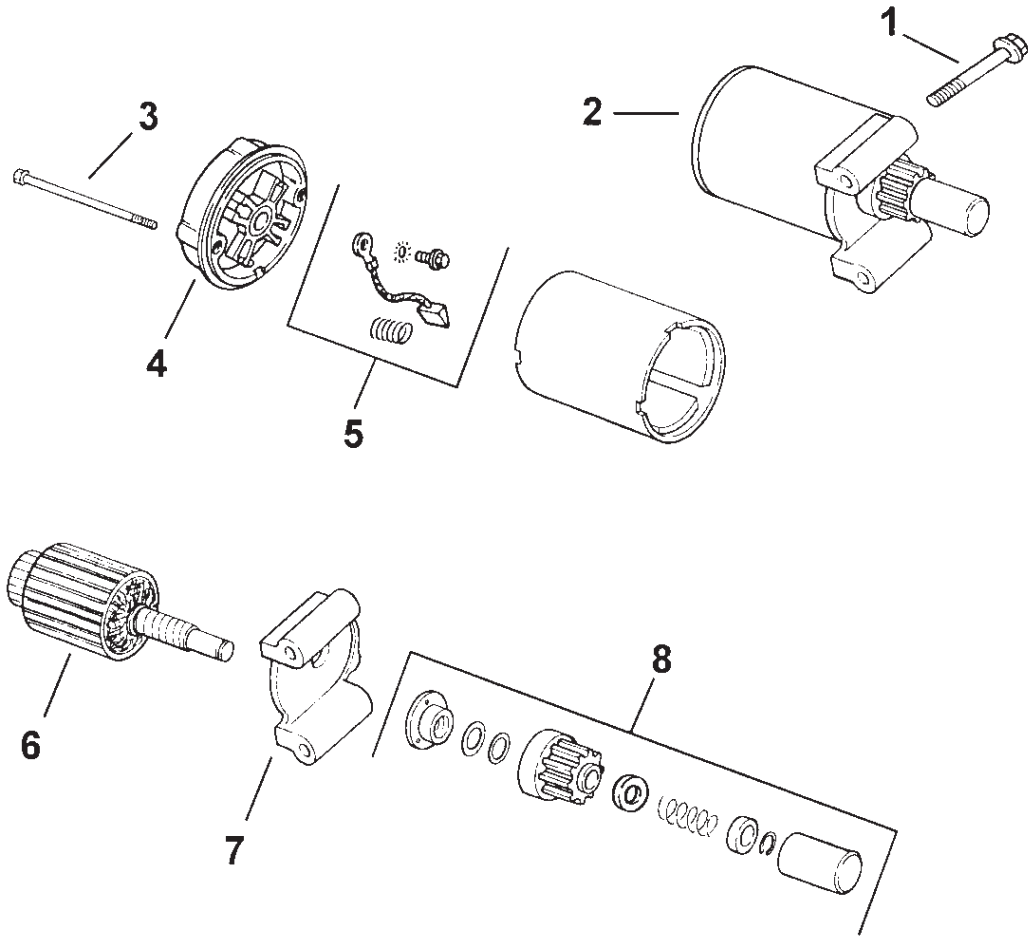


Ignition / Electrical (Model 73429 Only)

Ref. No.	Part No.	Qty.	Description
1	X-728-1	2	Clip
2	M-0545010	2	Screw, hex. flange M5x0.8x10
3	24 126 71		Kit, 15 amp stator (Includes Bracket).
4	54 755 09 M-0548025	2	Screw, hex. cap M5x0.8x25
5	12 132 02		Spark Plug
6	12 584 04		Module, ignition
7	M-0545020	2	Screw, hex. flange M5x0.8x20
8	12 025 15		Flywheel
9	X-42-15		Key
10	12 468 03		Washer, plain 3/8
11	12 086 14		Screw, hex. flange M10x1.5x46
12	12 157 03		Fan
13	24 162 03		Screen, grass
14	12 112 01	4	Spacer, fan
15	M-0639016	4	Screw, hex. flange M6x1.0x16
16	M-0639016	2	Screw, hex. flange M6x1.0x16
17	X-22-11		Washer, lock 1/4"
18	41 403 09		Rectifier-regulator

Ref. No.	Part No.	Qty.	Description
19	236602		Connector
20	48 155 01		Connector
	25 518 29		NOT ILLUSTRATED Lead, black (6" – 18 gauge – insulated grip barrel eyelet terminals)
	12 518 01		Lead, white, ground to kill (19" – 18 gauge– insulated push on tab, uninsulated push on tab terminals)
	25 518 05		Lead, black, rectifier-regulator (5" – 14 gauge – uninsulated push on tab terminals)
	24 126 71		Bracket, stator wire

Kohler Engine CH12.5PS-1935
Obtain Parts From Kohler

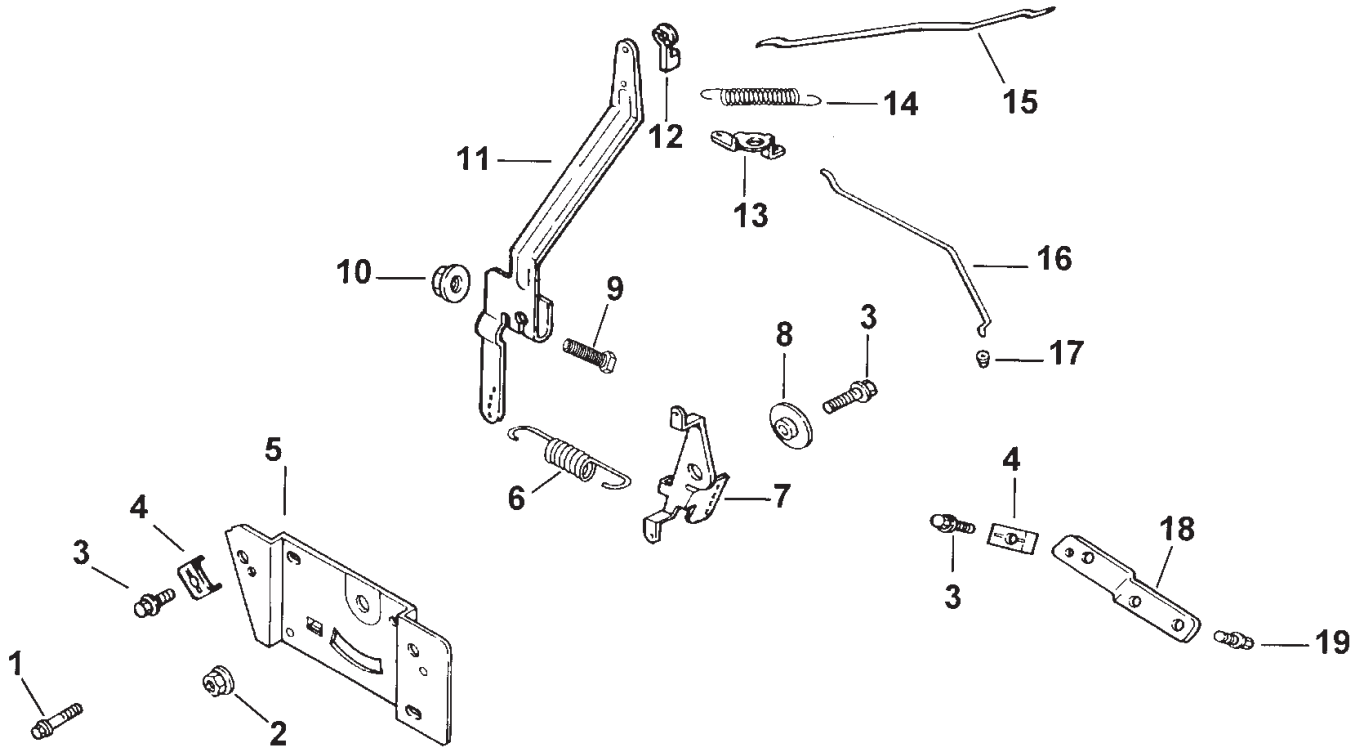


Starter (Model 73429 Only)

Ref. No.	Part No.	Qty.	Description
1	M-0839070D	2	Screw, hex. flange M8x1.25x70
2	12 098 12		Starter assembly (Includes 3-8)
3	12 086 25	2	Screw, hex. flange 1/4-20x4-5/8
4	12 227 10		Cap, commutator end
5	82 755 28		Kit, brush & spring
6	45 170 03		Armature
7	12 227 05		Cap, drive end
8	12 755 53		Kit, drive

Ref. No.	Part No.	Qty.	Description

Kohler Engine CH12.5PS-1935
Obtain Parts From Kohler

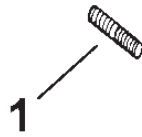


Engine Controls (Model 73429 Only)

Ref. No.	Part No.	Qty.	Description
1	M-0664020	2	Screw, lobed socket M6x1.0x20
2	M-0541050		Nut, hex. flange M5x0.8
3	M-0545016	4	Screw, hex. flange M5x0.8x16
4	12 237 01	3	Clamp, cable
5	12 146 05		Plate, control
6	12 089 17		Spring, governor
7	12 090 13		Lever, throttle control
8	12 112 07		Spacer, throttle control
9	SM-0642025		Screw, hex. flange M6x1.0x25
10	M-0641060		Nut, hex. flange M6x1.0
11	12 090 19		Lever, governor
12	25 158 11		Bushing, throttle
13	12 090 14		Lever, choke - upper
14	230117	2	Spring, linkage
15	12 079 04		Linkage, throttle
16	12 079 08		Linkage, choke - upper
17	25 158 08		Bushing, linkage
18	12 126 15		Bracket, choke mount
19	M-0545010		Screw, hex. flange M5x0.8x10

Ref. No.	Part No.	Qty.	Description

Kohler Engine CH12.5PS-1935
Obtain Parts From Kohler

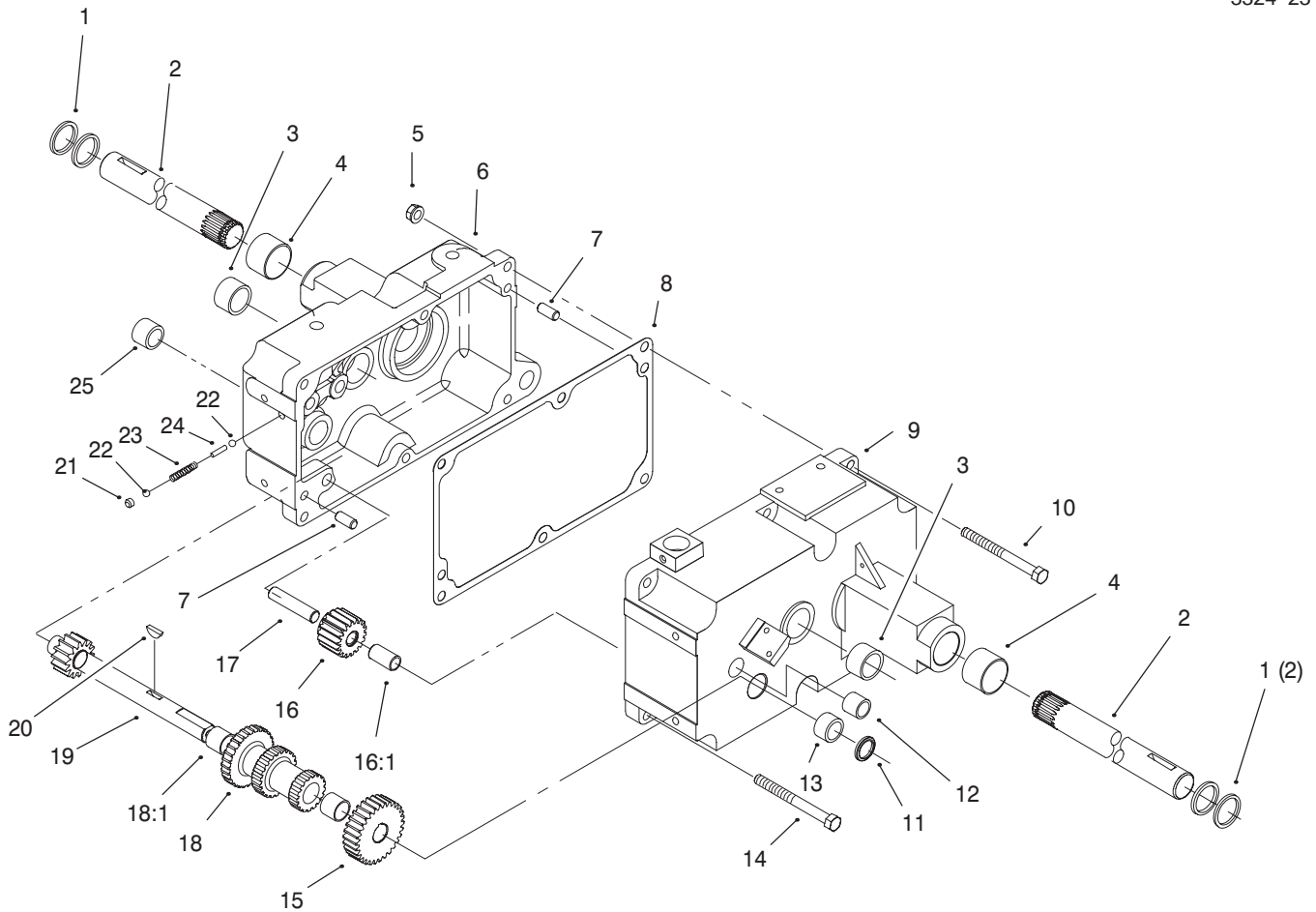


Exhaust (Model 73429 Only)

Ref. No.	Part No.	Qty.	Description
1	25 072 04 12 755 82	2	Stud M8x1.25x33 Gasket Set

Ref. No.	Part No.	Qty.	Description

Kohler Engine CH12.5PS-1935
Obtain Parts From Kohler

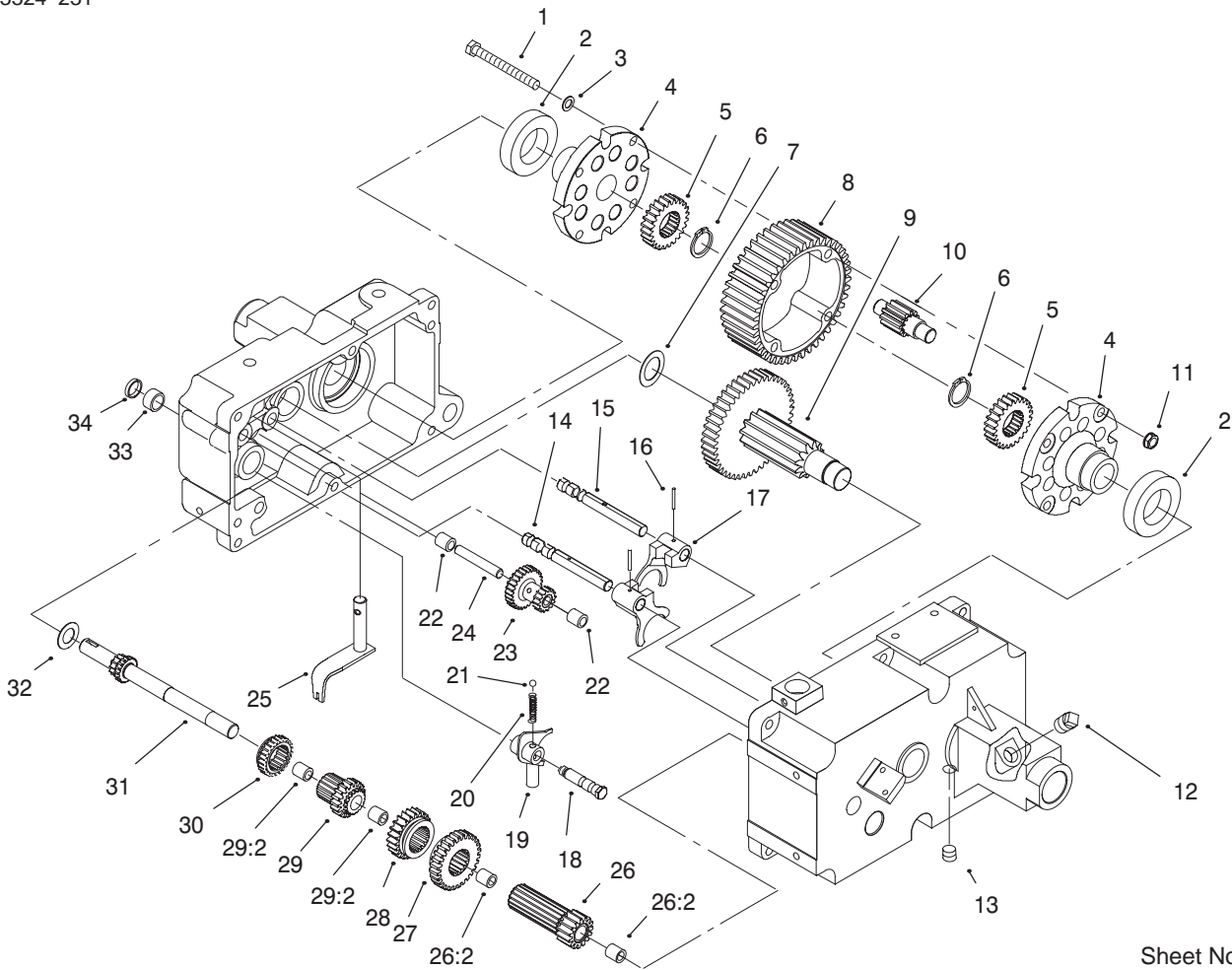


Sheet No.: 101

Transmission 8-Speed 8 Pinion (Model 73449 Only)

Ref. No.	Part No.	Qty.	Description
1	100443	4	Seal-Oil
2	105875	2	Axle-Rear
3	1532	2	Bearing-Needle
4	9416	2	Bearing-Needle
5	3296-39	6	Nut-Lock
6	111200-01	1	Case-Trans
7	3915	2	Pin-Dowel
8	3912	1	Gasket-Transmission
9	95-5143-01	1	Case-Trans
10	323-16	1	Screw-HH
11	100441	1	Seal-Oil
12	83-2890	1	Bearing-Needle
13	1523	1	Bearing-Needle
14	323-11	5	Screw
15	3527	1	Gear-Cluster
16	4204	1	Gear-Idler
16:1	1516	1	Bushing
17	3909	1	Pin
18	7269	1	Gear Cluster ASM
18:1	1504	2	Bushing
19	83-3530	1	Shaft-Cluster
20	937089	1	Key
21	1243	1	Plug-Cup
22	3517	2	Ball-Detent
23	106030	1	Spring-Stop

Ref. No.	Part No.	Qty.	Description
24	5614	1	Pin-Shift
25	1529	1	Bearing-Needle

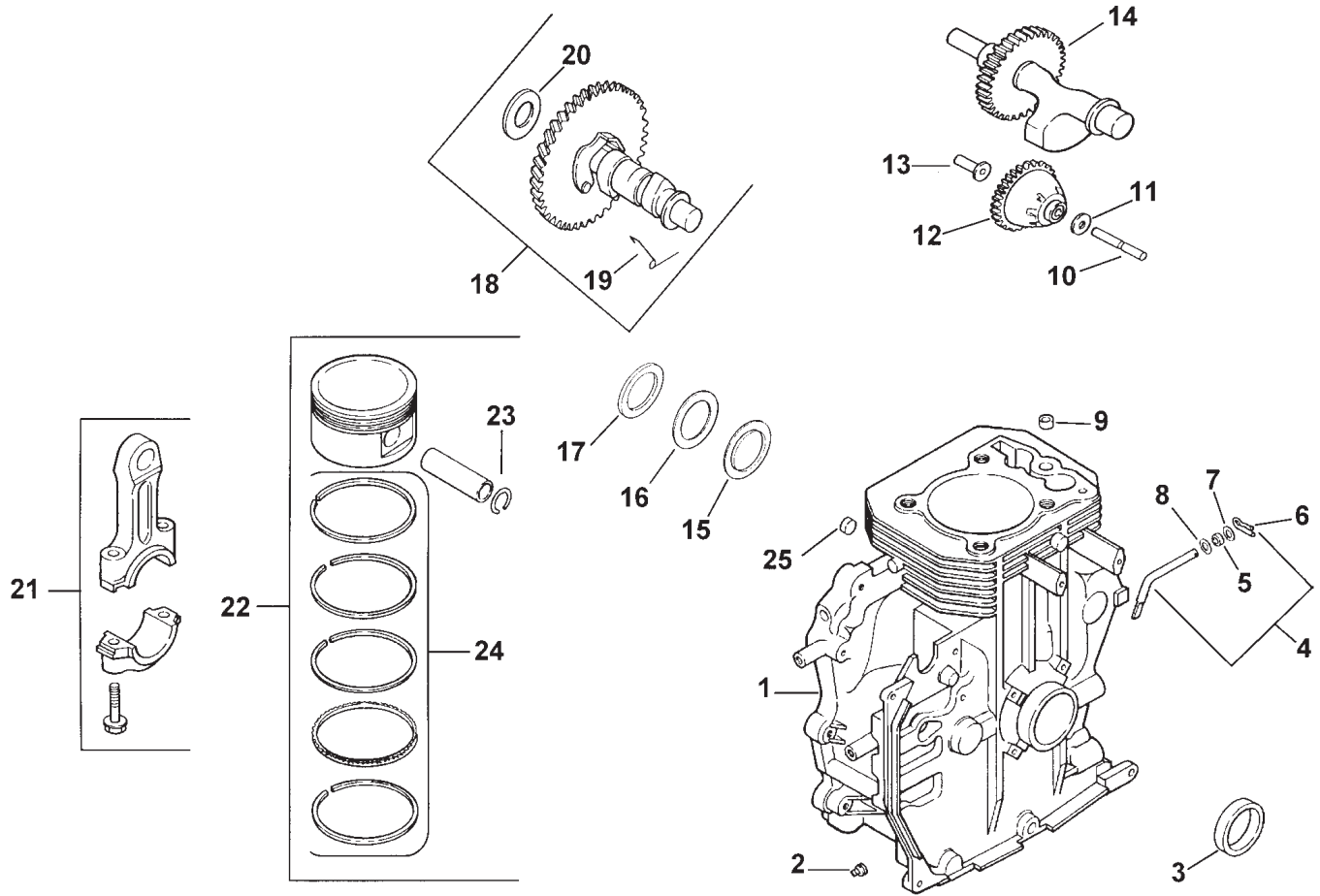


Sheet No.: 102

Transmission 8-Speed 8 Pinion (cont.) (Model 73449 Only)

Ref. No.	Part No.	Qty.	Description
1	911423	4	Screw-HH
2	111199	2	Bearing-Ball
3	107374	4	Washer-Flat
4	111196	2	Cap-End
5	101889	2	Gear-Axle
6	105876	2	Ring-Retaining
7	9547	1	Washer-Thrust
8	105061	1	Gear-Differential
9	102974	1	Gear-ASM
10	101623	8	Gear-Pinion
11	108881	4	Nut-Hex
12	281-2	1	Plug-Pipe
13	99-8551	1	Plug-Pipe
14	5615	1	Rail-Shift
15	5616	1	Rail-Shift
16	933156	2	Pin-Spirol
17	3503	2	Fork-Shift
18	7213	1	Screw-Detent
19	116636	1	Fork ASM
20	106030	1	Spring-Stop
21	3517	1	Ball-Detent
22	7207	2	Bearing-Needle
23	7206	1	Gear-Reduction
24	7208	1	Shaft-Gear
25	7214	1	Lever-Shift
26	5175	1	Gear ASM

Ref. No.	Part No.	Qty.	Description
26:2	1518	2	Bearing-Needle
27	5174	1	Gear-Low And Reverse
28	5173	1	Gear-Hi And 2nd
29	7204	1	Gear ASM
29:2	1518	2	Bearing-Needle
30	7205	1	Gear-Sliding
31	7201	1	Shaft-Input
32	7418	1	Washer-Thrust
33	1542	1	Bearing-Needle
34	100442	1	Seal-Oil

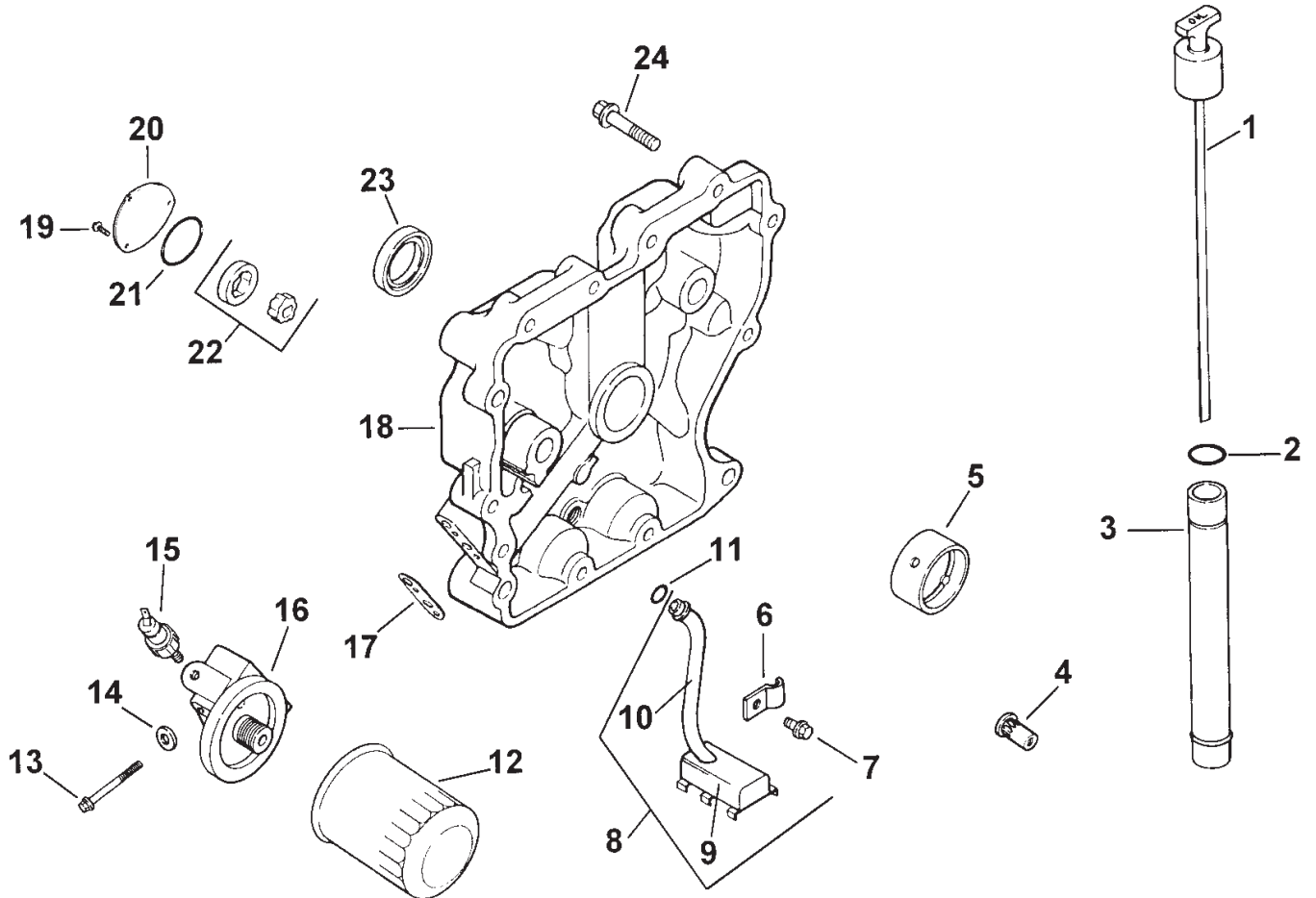


Crankcase (Model 73449 Only)

Ref. No.	Part No.	Qty.	Description
1		1	Short Block
2	X-75-10	2	Plug, solid sq. hd. 3/8
3	12 032 03		Seal, crankshaft
4	12 755 64	6	Kit, governor cross shaft (Includes # 6)
5	12 032 01		Seal, governor cross shaft
6	12 154 05		Clip, hitch pin
7	X-25-102		Washer, plain 1/4
8	M-0631015		Washer, plain 6 mm
9	12 380 17	4	Dowel, locating
10	12 144 02		Shaft, governor gear
11	M-0631005		Washer, plain 6 mm
12	12 043 05		Gear, governor
13	12 380 01		Pin, governor regulating
14	12 144 26		Shaft, balance
15	24 030 08		Bearing, thrust
16	52 114 04		Washer, thrust
17	24 422 04		Shim, thrust
18	12 755 50		Kit, camshaft (Includes
19	12 089 31		Spring, actuating
20	12 422 08		Shim, camshaft (A.R.) blue

Ref. No.	Part No.	Qty.	Description
	12 422 09		Shim, camshaft (A.R.) red
	12 422 10		Shim, camshaft (A.R.) yellow
	12 422 11		Shim, camshaft (A.R.) green
	12 422 12		Shim, camshaft (A.R.) gray
	12 422 13		Shim, camshaft (A.R.) black
	12 422 07		Shim, camshaft (A.R.) white
21	12 067 05	1	Connecting Rod (Std.)
	12 067 06		Connecting Rod (.25)
22	12 874 01		Piston w/Ring Set (Std.) (Includes 23,24)
	12 874 02		Piston w/Ring Set (.25)
	12 874 03		Piston w/Ring Set (.50)
23	12 018 02		Retainer, piston pin
24	12 108 01		Ring Set (Std.)
	12 108 02		Ring Set (.25)
	12 108 03		Ring Set (.50)
25	52 139 09		Plug, cup

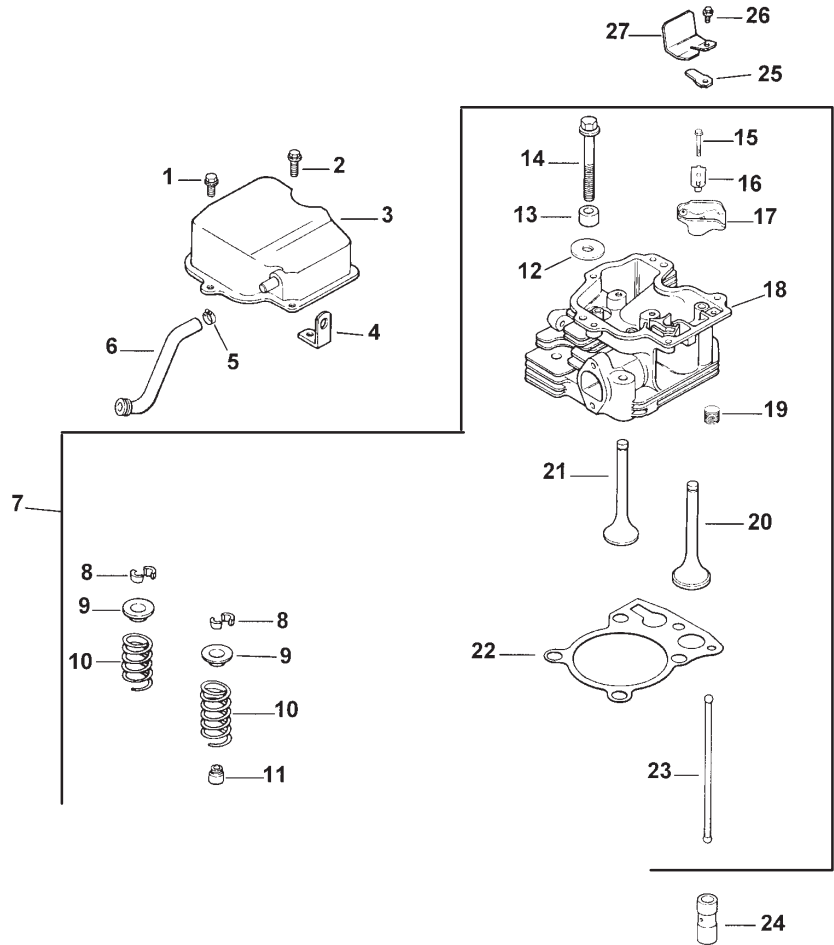
Kohler Engine CH14PS-1838
Obtain Parts From Kohler



Oil Pan / Lubrication (Model 73449 Only)

Ref. No.	Part No.	Qty.	Description	Ref. No.	Part No.	Qty.	Description
1	47 038 26		Dipstick	20	12 096 21		Cover, oil pump
2	41 153 01		O-Ring, oil fill tube	21	12 153 05		O-Ring, oil pump cover
3	24 123 11		Tube, oil fill	22	12 393 01		Pump, oil
4	25 462 09		Valve, oil pressure relief	23	12 032 03		Seal, oil (P.T.O. end)
5	12 030 05		Bearing, crankshaft	24	24 086 16	11	Screw, hex. flange M8x1.25x45
6	52 154 01		Clip	24	24 086 17		Screw, hex. flange M8x1.25x45
7	M-0545016		Screw ,hex.flange M5x0.8x16	25	113 05		Not Illustrated Decal, oil sentry
8	12 755 73		Kit, oil pick-up (Includes 9,10)				
9	25 381 01		Pick-up, oil screen				
10	12 123 21		Tubing, oil pick-up				
11	12 153 04		O-Ring, oil pick-up				
12	52 050 02		Filter, oil				
13	M-0651060	2	Screw, hex. flange M6x1.0x60				
14	X-25-12	2	Washer, plain 1/4				
15	25 029 24		Switch, oil pressure				
16	12 029 01		Adapter, oil filter				
17	12 041 07		Gasket, oil filter adapter				
18	1200936		Plate, closure Asm (Includes 4,5,19-22)				
19	M-0545016	3	Screw, hex. flange M5x0.8x16				

Kohler Engine CH14-1838
Obtain Parts From Kohler

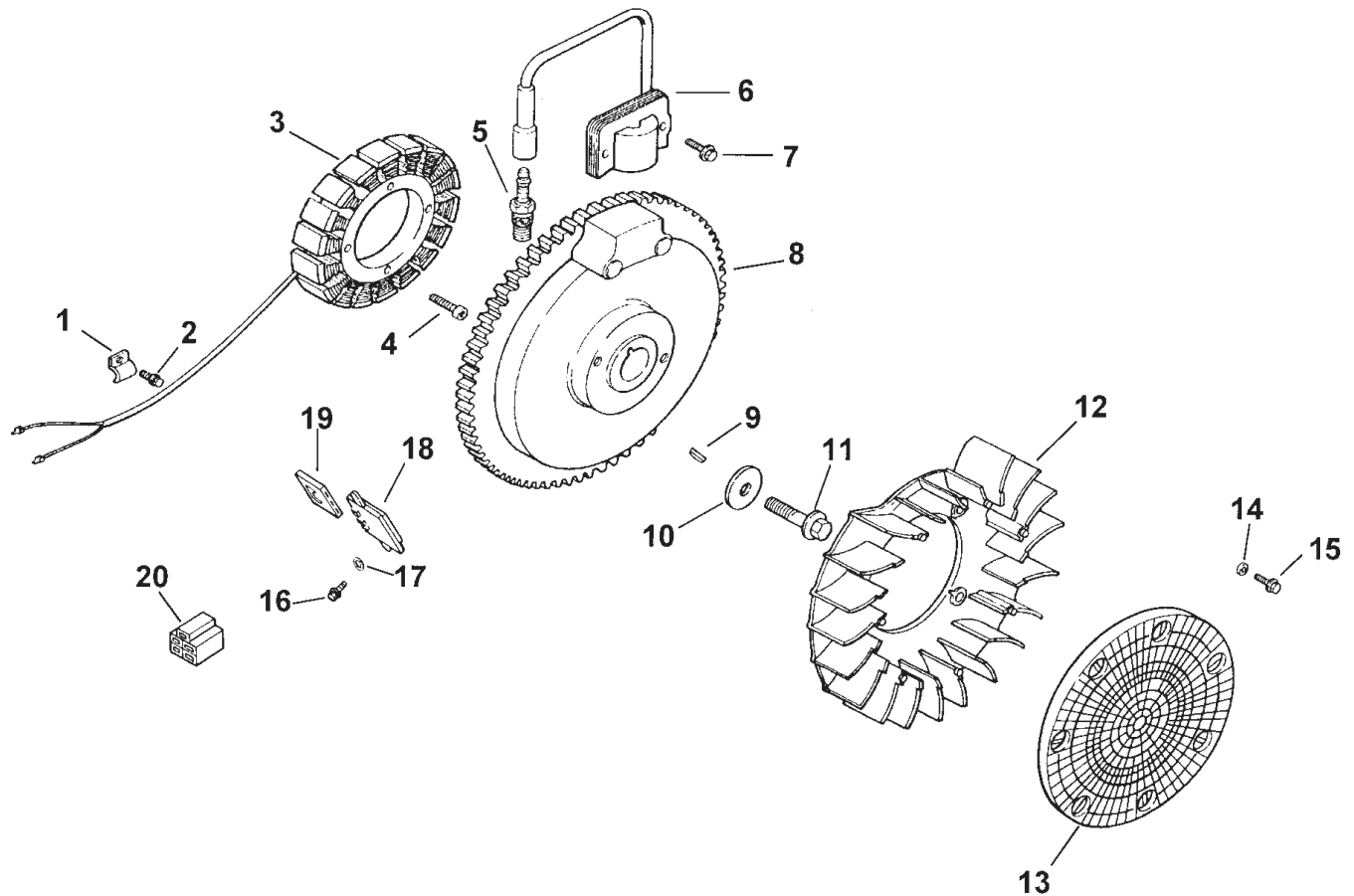


Cylinder Head / Valve & Breather (Model 73449 Only)

Ref. No.	Part No.	Qty.	Description
1	M-0645020	4	Screw, hex. flange M6x1.0x20
2	M-0645025		Screw, hex. flange M6x1.0x25
3	12 096 07		Cover, valve w/nipple
4	12 445 05		Strap, lifting (PTO side)
5	X-426-9		Clamp, hose
6	12 326 09		Hose, breather
7	12 041 01		Kit, cylinder head (Includes 8-23,
	12 041 02	2	carburetor gasket , air cleaner, base gasket, & exhaust manifold gasket)
	12 041 03		
	12 755 81		
8	12 755 03	2	Kit, retainer
9	12 173 01	2	Cap, valve spring
10	12 089 01	2	Spring, valve
11	24 032 05	2	Seal, valve stem
12	12 468 05		Washer, plain 13/32
13	12 112 13		Spacer, head bolt exhaust port
14	12 086 15	5	Screw, hex. flange M10x1.5x81
15	M-0640034	2	Screw, hex. flange M6x1.0x34

Ref. No.	Part No.	Qty.	Description
16	12 599 03	2	Pivot, rocker arm
17	25 186 01	2	Arm, rocker
18	12 318 19		Head, cylinder
19	X-75-23		Plug, allen hd. 1/8 pipe
20	12 017 01		Valve, intake (Std.)
21	12 016 01		Valve, exhaust (Std.)
22	12 041 08		Gasket, cylinder head
23	12 411 01	2	Rod, push
24	12 351 02	2	Lifter, valve
25	12 402 02		Reed, breather
26	M-0545010		Screw, hex. flange M5x0.8x10
27	12 018 03		Retainer, breather reed Not Illustrated
	12 017 02		Valve, intake (.25)
	12 016 02		Valve, exhaust (.25)

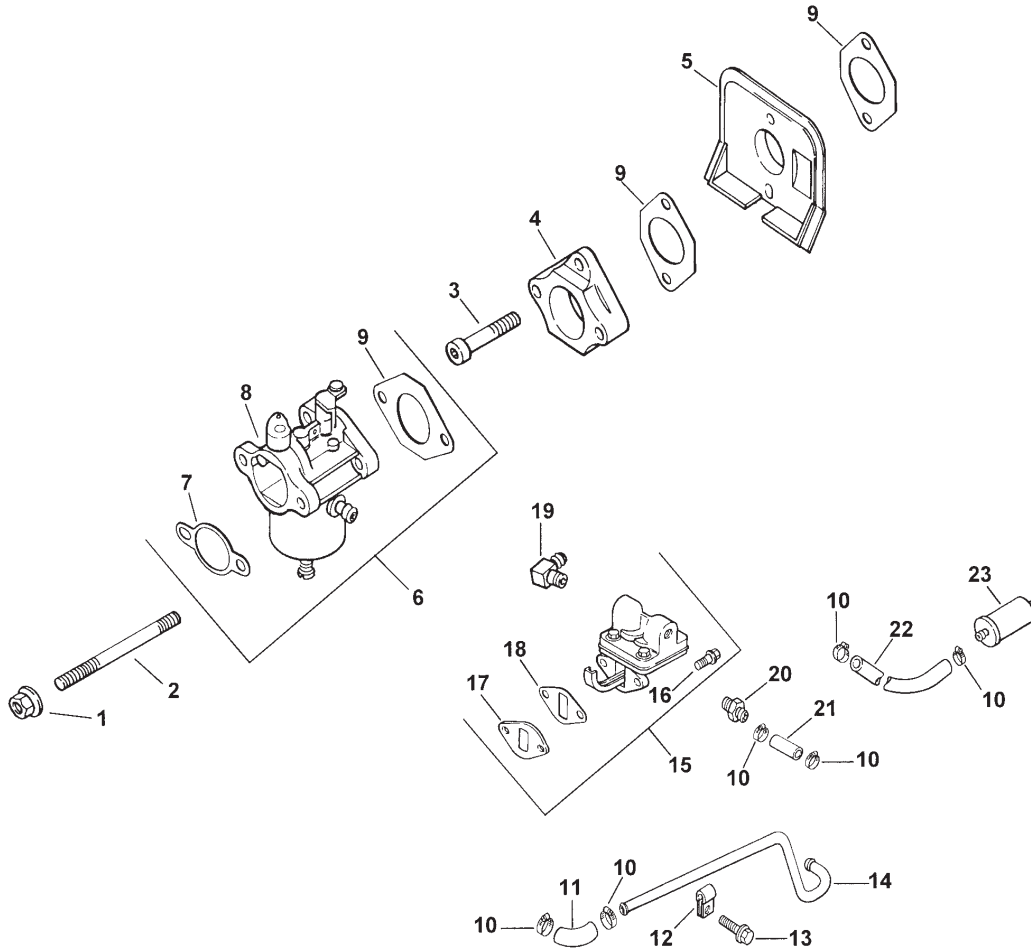
Kohler Engine CH14PS-1838
Obtain Parts From Kohler



Ignition / Electrical (Model 73449 Only)

Ref. No.	Part No.	Qty.	Description	Ref. No.	Part No.	Qty.	Description
1	X-728-1	2	Clip	19	236602		Connector
2	M-0545010	2	Screw, hex. flange M5x0.8x10	20	48 155 01		Connector
3	24 126 71		Kit, 15 amp stator (Includes Bracket).		25 518 29		NOT ILLUSTRATED Lead, black (6" – 18 gauge – insulated grip barrel eyelet terminals)
4	54 755 09 M-0548025	2	Screw, hex. cap M5x0.8x25		12 518 01		Lead, white, ground to kill (19" – 18 gauge – insulated push on tab, uninsulated push on tab terminals)
5	12 132 02		Spark Plug		25 518 05		Lead, black, rectifier-regulator (5" – 14 gauge – uninsulated push on tab terminals)
6	12 584 04		Module, ignition		24 126 71		Bracket, stator wire
7	M-0545020	2	Screw, hex. flange M5x0.8x20				
8	12 025 15		Flywheel				
9	X-42-15		Key				
10	12 468 03		Washer, plain 3/8				
11	12 086 14		Screw, hex. flange M10x1.5x46				
12	12 157 03		Fan				
13	24 162 03		Screen, grass				
14	12 112 01	4	Spacer, fan				
15	M-0639016	4	Screw, hex. flange M6x1.0x16				
16	M-0639016	2	Screw, hex. flange M6x1.0x16				
17	X-22-11		Washer, lock 1/4"				
18	41 403 09		Rectifier-regulator				

Kohler Engine CH14PS-1838
Obtain Parts From Kohler

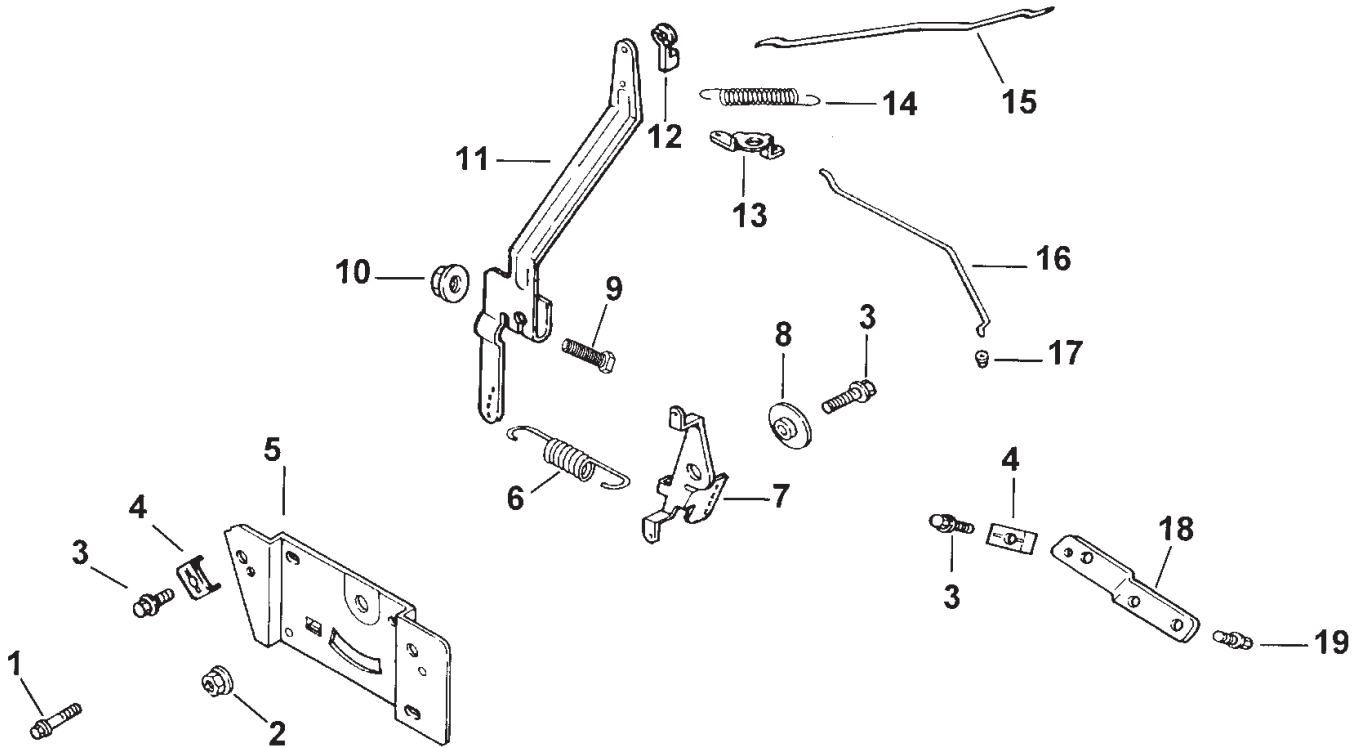


Carburetor & Fuel Pump (Model 73449 Only)

Ref. No.	Part No.	Qty.	Description
1	M-0641060	2	Nut, hex. flange M6x1.0
2	M-0629085	2	Stud M6x1.0x85
3	M-0644035	2	Screw, hex. socket cap M6x1.0x35
4	12 029 04		Adapter, carburetor
5	12 265 04		Deflector, heat
6	12 853 60	1	Kit, carburetor w/gaskets (Incl. 7-90)
7	12 041 02		Gasket, air cleaner
8	12 053 60		Carburetor assembly (For information only not available separately) (Service with parts listed under "Not Illustrated")
9	12 041 01	3	Gasket, carburetor
10	X-426-9	6	Clamp, hose
11	12 353 07		Line fuel
12	12 154 01		Clip, tube
13	M-0545010		Screw, hex. flange M5x0.8x10
14	12 353 11		Line, fuel - metal
15	12 559 01		Kit, fuel pump (Includes 16-18)
16	M-0645020	2	Screw, hex. flange M6x1.0x20
17	12 112 05		Spacer
18	25 041 09	2	Gasket, fuel pump
19	25 155 02		Connector, 90_ hose

Ref. No.	Part No.	Qty.	Description
20	X-380-1		Connector, straight hose
21	12 353 01		Line, fuel 1-1/4"
22	25 353 02		Line, fuel 3"
23	25 050 02		Filter, fuel
	12 368 05		NOT ILLUSTRATED Needle, idle fuel adjusting
	12 089 09	2	Spring, idle adjusting
	12 086 04		Screw, idle speed adjusting
	12 146 03		Plate, throttle
	25 086 27	2	Screw, throttle plate
	12 144 09		Shaft, throttle w/lever & seal
	12 337 04		Jet, main
	12 757 08		Kit, choke repair
	12 146 12		Plate, choke
	12 173 06		Cap, choke lever
	25 086 27	2	Screw, choke plate
	12 757 02		Kit, float
	12 041 05		Gasket, bowl
	12 104 01		Bowl, fuel
	12 086 05		Screw, fuel bowl retainer
	12 041 06		Gasket, bowl retainer screw
	12 757 03		Kit, carburetor repair

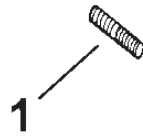
Kohler Engine CH14PS-1838
Obtain Parts From Kohler



Engine Controls (Model 73449 Only)

Ref. No.	Part No.	Qty.	Description	Ref. No.	Part No.	Qty.	Description
1	M-0664020	2	Screw, lobed socket M6x1.0x20				
2	M-0541050		Nut, hex. flange M5x0.8				
3	M-0545016	4	Screw, hex. flange M5x0.8x16				
4	12 237 01	3	Clamp, cable				
5	12 146 05		Plate, control				
6	12 089 17		Spring, governor				
7	12 090 13		Lever, throttle control				
8	12 112 07		Spacer, throttle control				
9	SM-0642025		Screw, hex. flange M6x1.0x25				
10	M-0641060		Nut, hex. flange M6x1.0				
11	12 090 19		Lever, governor				
12	25 158 11		Bushing, throttle				
13	12 090 14		Lever, choke – upper				
14	230117	2	Spring, linkage				
15	12 079 04		Linkage, throttle				
16	12 079 08		Linkage, choke – upper				
17	25 158 08		Bushing, linkage				
18	12 126 15		Bracket, choke mount				
19	M-0545010		Screw, hex. flange M5x0.8x10				

Kohler Engine CH14PS-1838
Obtain Parts From Kohler



Exhaust (Model 73449 Only)

Ref. No.	Part No.	Qty.	Description
1	25 072 04 12 755 82	2	Stud M8x1.25x33 Gasket Set

Ref. No.	Part No.	Qty.	Description

Kohler Engine CH14PS-1838
Obtain Parts From Kohler

