



Count on it.

Parts Catalog

TimeCutter® ZD420 Riding Mower

Model No. 74433—Serial No. 290000001 and Up



Ordering Replacement Parts

To order replacement parts, please supply the part number, the quantity, and the description of each part desired.

Understanding Reference Numbers

Each identified part in an illustration has a reference number. The reference number for a part also appears in the parts list, along with other information about the part.

This catalog uses two special reference number formats, one to indicate parts in a service assembly and another to indicate the quantity of a given part in an illustration.

Service Assembly Reference Numbers

Parts in service assemblies have reference numbers in the form a:b. The a represents the reference number of the entire service assembly and the b represents a sequential number unique to each part within the service assembly.

For example, a wheel assembly might be identified by reference number 6, the tire by 6:1, the valve by 6:2, and the wheel by 6:3. When you order the assembly identified by reference number 6, you receive all parts identified by reference numbers 6:1, 6:2, and 6:3. However, you may also order any part individually. Reference numbers of this type appear in illustration and in parts lists.

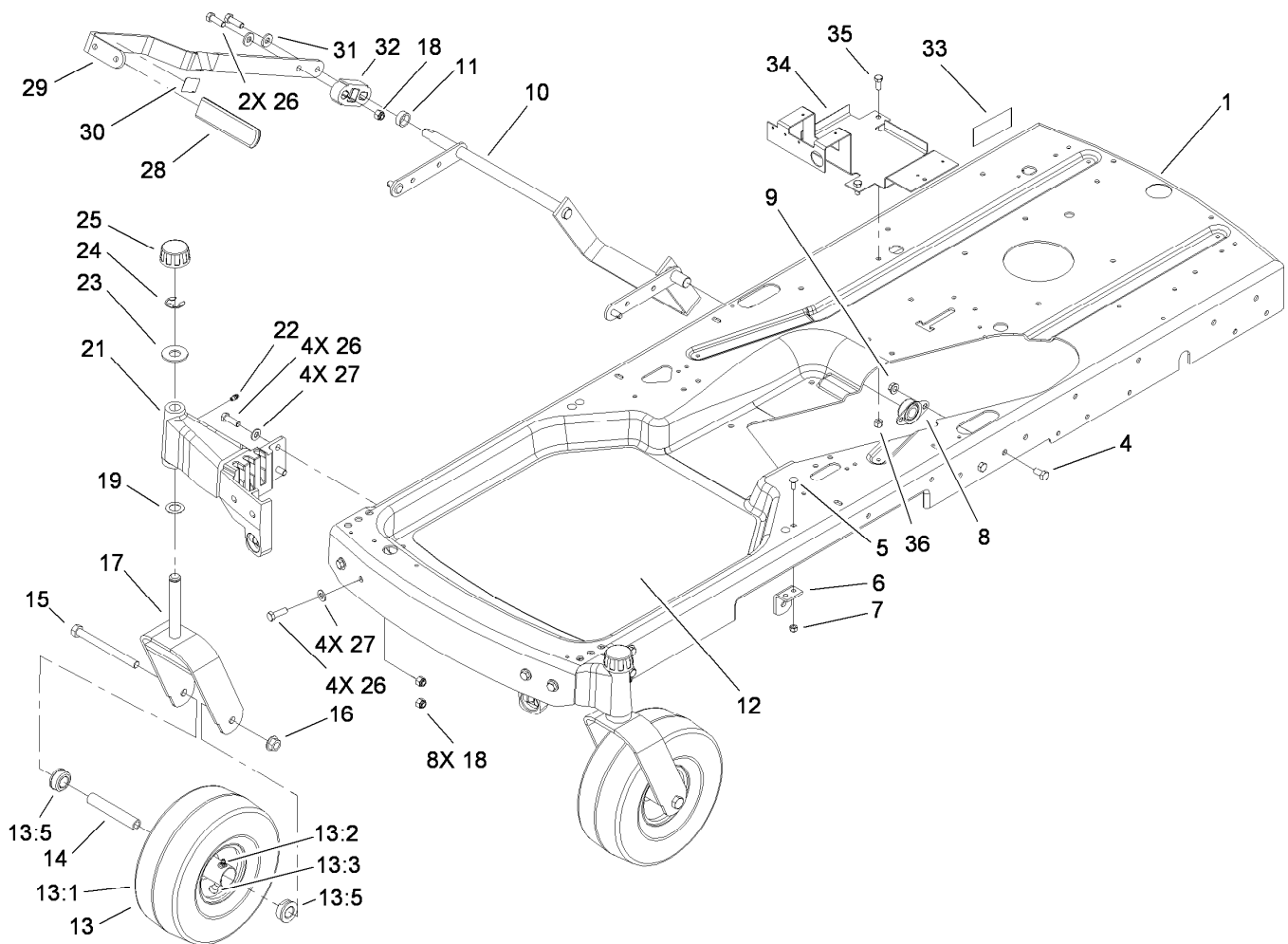
Reference Numbers Indicating Quantity

In an illustration, if a reference number indicates more than one part, the reference number has the form nX y. The n represents the quantity of the part, the X is the multiplication symbol, and the y represents the reference number.

For example, in an illustration, the reference number 2X 37 means that two of the parts identified by reference number 37 are indicated.

Contents

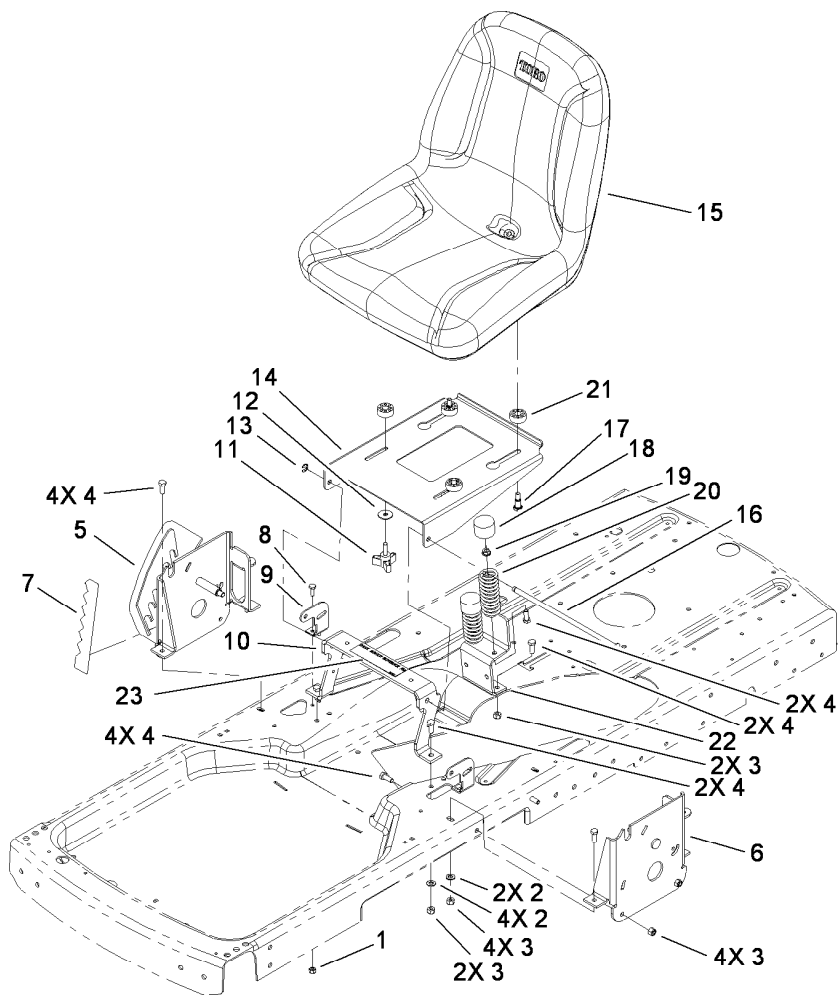
Frame Assembly	4
Seat Assembly	5
Control Assembly	6
Drive Assembly	7
LH Hydro Transaxle Assembly No. 112-4760	8
RH Hydro Transaxle Assembly No. 112-4761	10
Engine, Muffler and Clutch Assembly	12
Styling Assembly	13
Bagging Assembly	14
42 Inch Top Deck Assembly	15
42 Inch Bottom Deck Assembly	16
Spindle Assembly No. 107-9161	17
Electrical Assembly	18
Cylinder Assembly Briggs and Stratton Model 31P777-0133-E1	19
Cylinder Head Assembly Briggs and Stratton Model 31P777-0133-E1	20
Crankshaft Assembly Briggs and Stratton Model 31P777-0133-E1	21
Crankcase Assembly Briggs and Stratton Model 31P777-0133-E1	22
Carburetor Assembly (Nikki) Briggs and Stratton Model 31P777-0133-E1	23
Governor Assembly Briggs and Stratton Model 31P777-0133-E1	24
Blower Housing Assembly Briggs and Stratton Model 31P777-0133-E1	25
Starter Assembly Briggs and Stratton Model 31P777-0133-E1	26
Gasket Set Briggs and Stratton Model 31P777-0133-E1	27
Carburetor Overhaul Kit (Nikki) Briggs and Stratton Model 31P777-0133-E1	28
Attachments and Accessories	29



Frame Assembly

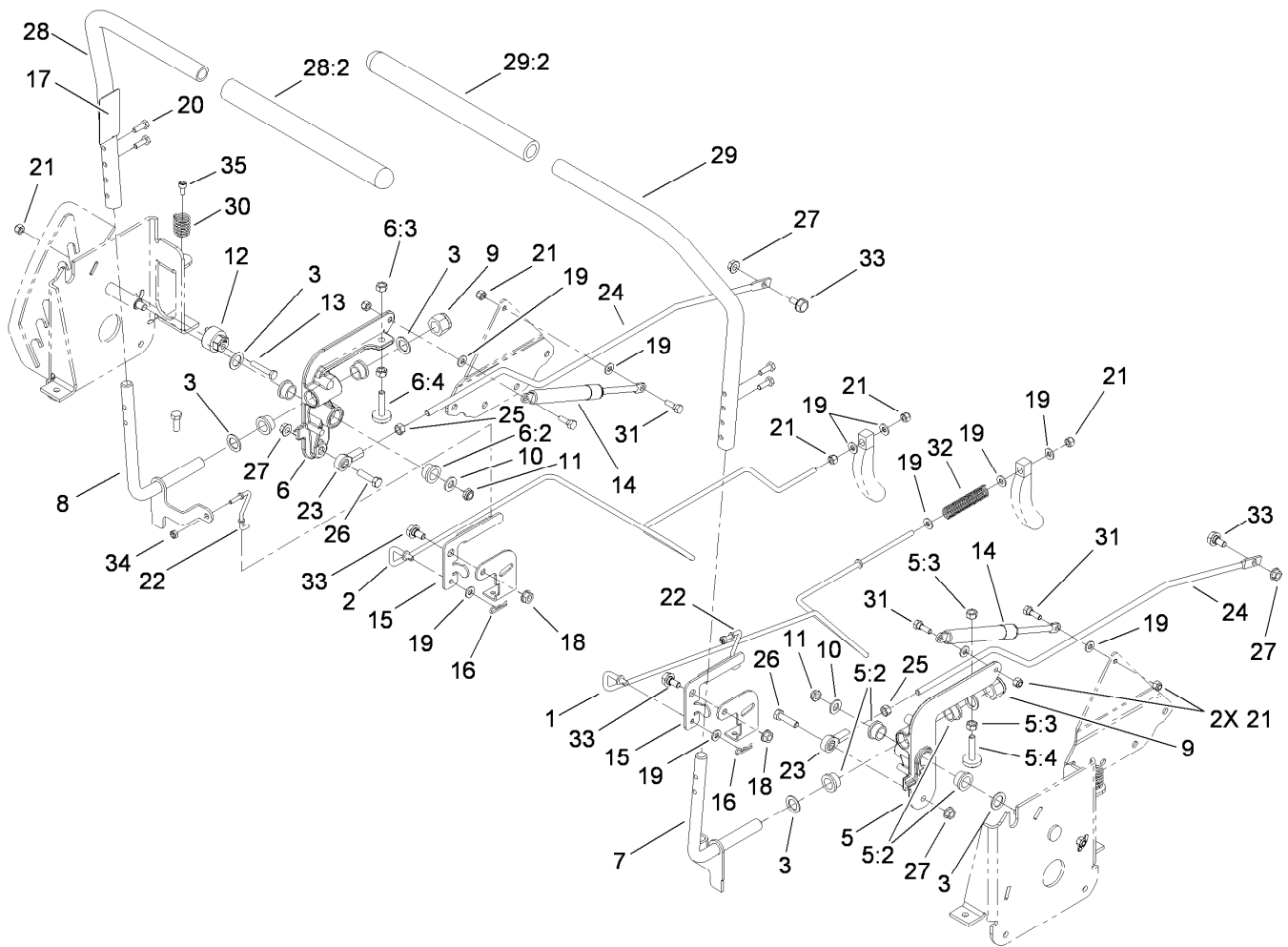
Ref.	Part Number	Qty.	Description	Ref.	Part Number	Qty.	Description
1	107-8999-01	1	Frame	18	3296-39	9	Nut-Lock, NI
4	323-4	4	Screw-HH	19	3-6498	2	Washer-Thrust
5	3229-1	4	Bolt-CARR	20	105-6986-01	1	Caster-LH ●
6	105-3439	2	Bracket-Lift	21	105-6985-01	1	Caster-RH
7	3296-42	4	Nut-Lock, NI	22	302-5	2	Fitting-Grease
8	1-633102	2	Bearing-Flange, Side	23	28-2480	2	Washer-Plain
9	3290-357	4	Nut-HHF, Whiz	24	32151-103	2	Ring-Retaining, EXT
10	114-3601-03	1	Lift Arm ASM	25	61-9780	2	Cap-Hub
11	106-2222	1	Spacer	26	323-18	10	Screw-HH
12	105-3460	1	Pad-Antiskid	27	3256-24	8	Washer-Flat
13	105-3471	2	Front Wheel And Tire ASM	28	105-3450	1	Grip-Lever, Lift
13:1	105-1943	1	Tire	29	108-2317-03	1	Lever-Lift
13:2	302-5	1	Fitting-Grease	30	106-8743	1	Decal-HOC
13:3	232-27	1	Stem-Valve	31	98-5975	2	Washer-Belleville
13:5	114-1640	2	Bushing-Flange	32	106-2211	1	Block-Lift
13:99	93-4244	1	Tube-Inner (W/Valve) ●	33	106-7043	1	Decal-Transport
14	104-3667	2	Bushing-Spanner	34	114-3665-03	1	Holder-Battery
15	325-22	2	Screw-HH	35	322-3	2	Screw-HH
16	32128-23	2	Nut-HF	36	3296-29	2	Nut-Lock, NI
17	110-6581-01	2	Caster Fork ASM				

● Not illustrated



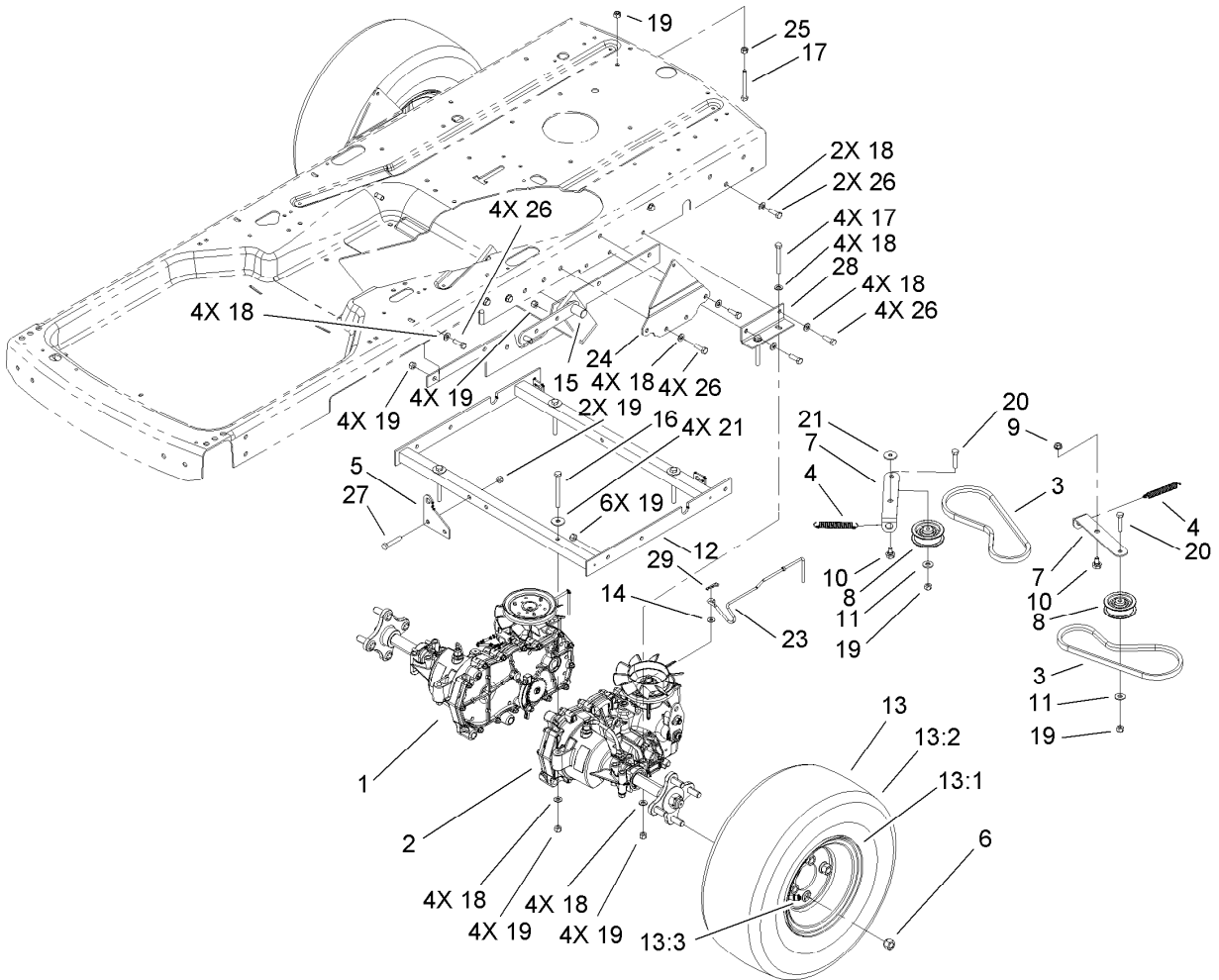
Seat Assembly

Ref.	Part Number	Qty.	Description
1	3296-42	4	Nut-Lock, NI
2	3256-23	6	Washer-Plain
3	3296-29	12	Nut-Lock, NI
4	322-4	14	Screw-HH
5	106-2158-03	1	RH Plate ASM
6	106-2159-03	1	LH Plate ASM
7	106-2223	1	Decal-HOC
8	321-4	4	Screw-HH
9	106-2180	2	Bracket-Bellcrank
10	114-3664-03	1	Brace-Seat
11	106-2240	2	Knob
12	5-4460	2	Washer-Pivot
13	105-7004	1	E-Ring
14	114-9436-03	1	Bracket-Seat
15	108-2329	1	Seat
16	105-6955	1	Pin-Pivot
17	613529	2	Screw-Shoulder
18	701178	2	Cap-Protector
19	32128-25	2	Nut-HF
20	92-7054	2	Spring-Compression
21	107-4902	4	Spacer-Nylon
22	114-9418-03	1	Bracket-Stop, Seat
23	106-8717	1	Decal-Service, CE



Control Assembly

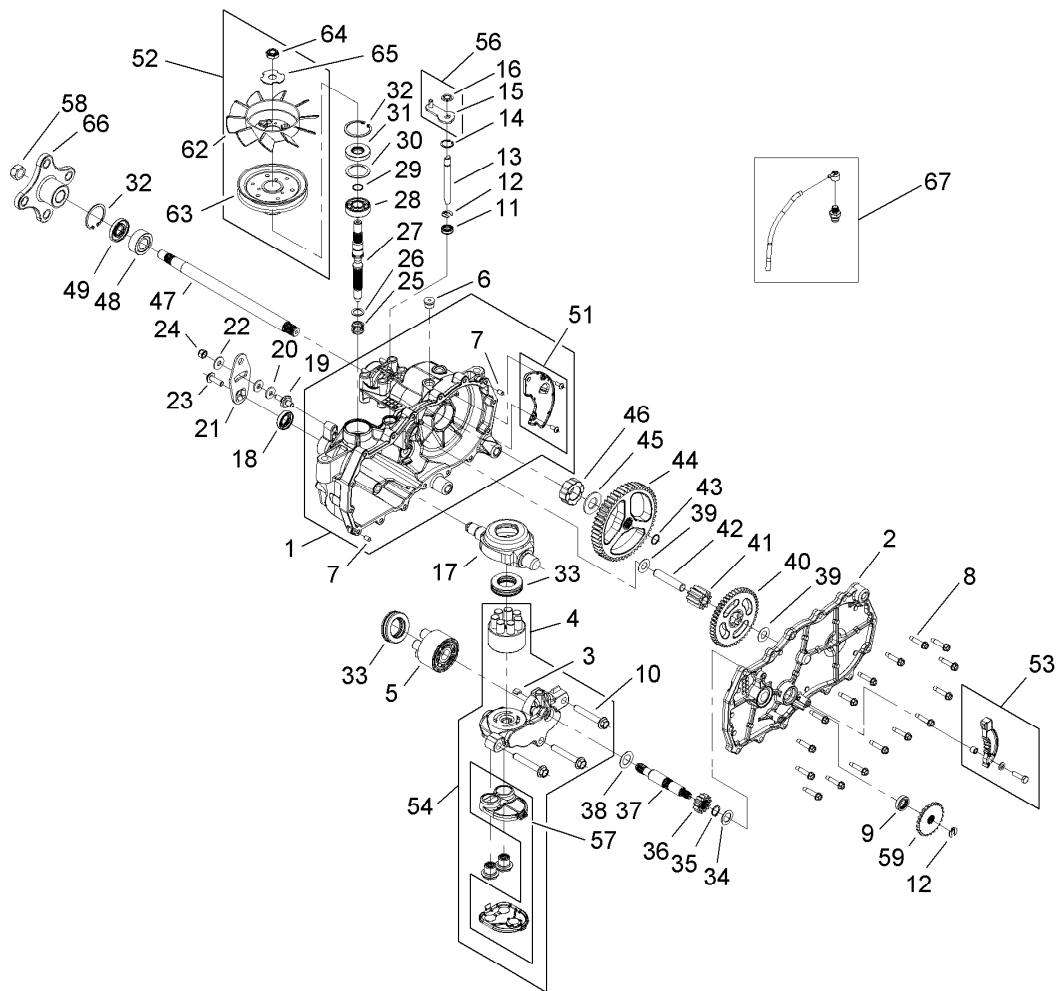
Ref.	Part Number	Qty.	Description	Ref.	Part Number	Qty.	Description
1	108-8792	1	Rod-Brake, LH	17	106-8742	2	Decal
2	110-1041	1	Rod-Brake, RH	18	32128-25	2	Nut-HF
3	105-3481	6	Washer-Thrust	19	3256-22	11	Washer-Flat
5	110-1869	1	LH Activator Arm ASM	20	321-4	4	Screw-HH
5:2	105-3455	4	Bushing	21	3296-42	9	Nut-Lock, NI
5:3	3217-6	2	Nut-Hex	22	106-2179	2	Link-Brake
5:4	105-3486	1	Stop-Adjustment	23	1-543017	2	Balljoint-RH
6	110-1870	1	RH Activator Arm ASM	24	105-7048	2	Rod-Hydro
6:2	105-3455	4	Bushing	25	3219-2	2	Nut-Hex
6:3	3217-6	2	Nut-Hex	26	322-6	2	Screw-HH
6:4	105-3486	1	Stop-Adjustment	27	32128-20	4	Nut-HF
7	105-3488	1	LH Pivot Shaft ASM	28	108-8746	1	RH Control Handle ASM
8	105-3487	1	RH Pivot Shaft ASM	28:2	1-633257	1	Grip-Control, Motion
9	3296-53	2	Nut-Lock, NI	29	108-8747	1	LH Control Handle ASM
10	3256-24	2	Washer-Flat	29:2	1-633257	1	Grip-Control, Motion
11	3296-59	2	Nut-Lock, NI	30	105-3469	2	Spring-Compression
12	107-4874	2	Eccentric	31	106-2214	4	Bolt-Shoulder
13	321-9	2	Screw-HH	32	105-3465	1	Spring-Compression
14	103-2913	2	Damper-Control, Motion	33	37-8771	4	Bolt-Shoulder, HF
15	106-2181	2	Bellcrank	34	3296-2	2	Nut-Lock, NI
16	1-806003	2	Pin-Cotter	35	3274-52	2	Screw-HSH



Drive Assembly

Ref.	Part Number	Qty.	Description	Ref.	Part Number	Qty.	Description
1	112-4761	1	Transaxle-Hydro, RH	14	3256-1	2	Washer-Flat
2	112-4760	1	Transaxle-Hydro, LH	15	107-8970-03	1	Brace-Frame, Left Side
3	106-2174	2	V-Belt	16	322-20	4	Screw-HH
4	95-3805	2	Spring	17	322-13	5	Screw-HH
5	105-7049	1	Bracket-Spring	18	3256-23	26	Washer-Plain
6	242-50	8	Nut-Lug	19	3296-29	27	Nut-Lock, NI
7	105-7047	2	Arm-Idler	20	322-7	2	Screw-HH
8	106-2176	2	Pulley-Idler	21	5-4460	5	Washer-Pivot
9	32128-25	1	Nut-HF	22	107-2464	1	Arm-Bypass, RH ●
10	37-8771	2	Bolt-Shoulder, HF	23	107-2463	1	Arm-Bypass, LH
11	3256-3	2	Washer-Flat	24	112-4754-03	2	Anchor-Damper
12	108-8733-03	1	Hydro Frame ASM	25	3217-6	1	Nut-Hex
13	106-7004	2	Wheel And Tire ASM	26	322-5	14	Screw-HH
13:1	242-76	1	Rim	27	322-9	2	Screw-HH
13:2	106-7006	1	Tire	28	105-7039-03	2	Support-Hydro
13:3	232-27	1	Stem-Valve	29	1-806003	2	Pin-Cotter
13:99	107-2491	1	Tube-Tire ●				

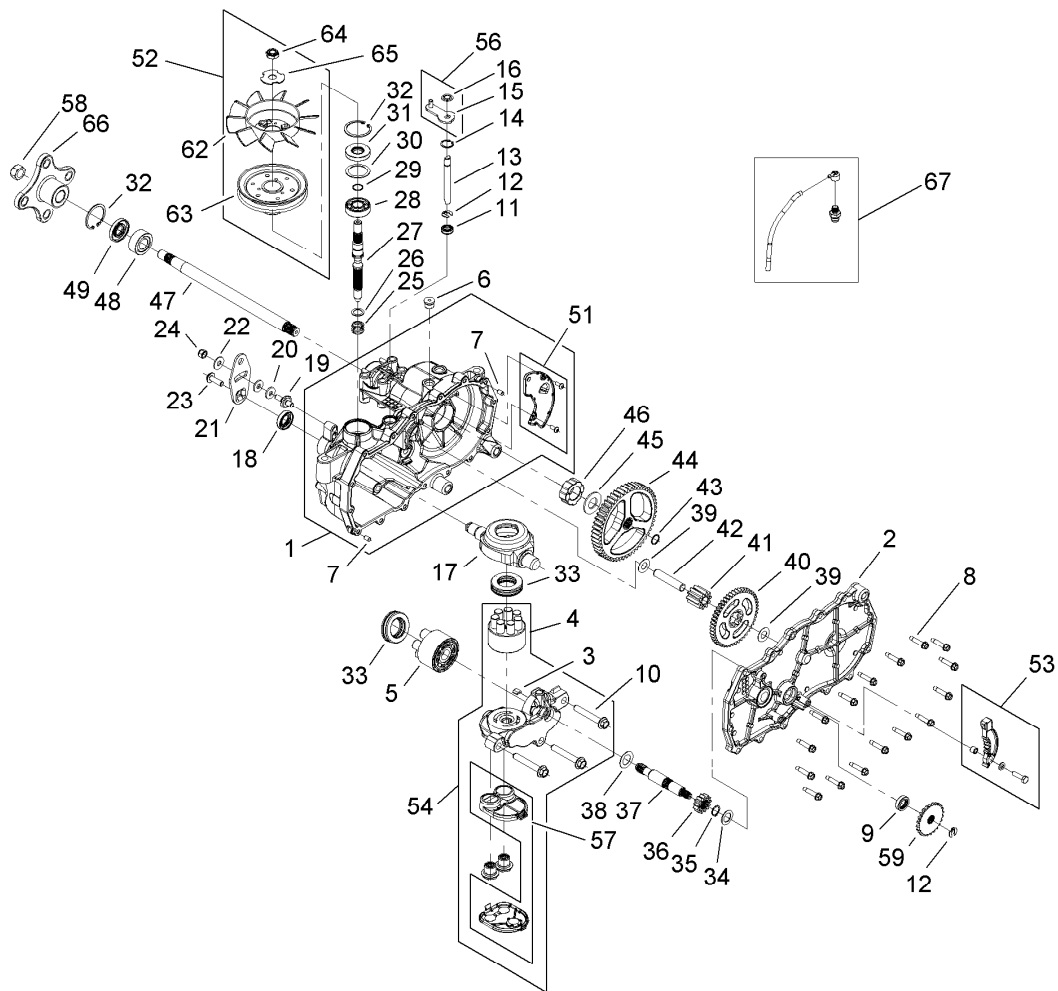
● Not illustrated



LH Hydro Transaxle Assembly No. 112-4760

Ref.	Part Number	Qty.	Description	Ref.	Part Number	Qty.	Description
1	106-8695	1	Main Housing ASM	26	94-1937	1	Washer-Thrust
2	106-8696	1	Side ASM	27	104-5306	1	Shaft-Input
3	110-8560	1	Plate-Bypass	28	104-5311	1	Bearing-Ball
4	110-8561	1	Pump Block ASM	29	104-5307	1	Ring-Retaining
5	103-2666	1	Cylinder Block Kit	30	104-5308	1	Spacer
6	104-2189	1	Plug-Thread, Straight	31	104-5310	1	Seal-Lip
7	104-2170	2	Pin	32	104-5309	2	Ring-Retaining
8	104-5305	16	Screw-HHF	33	94-6922	2	Bearing-Thrust
9	112-9851	1	Brake Seal Kit	34	104-5339	1	Washer-Flat
10	94-6926	3	Bolt	35	104-5340	1	Ring-Retaining
11	106-8676	1	Seal-Lip	36	104-5316	1	Gear-Pinion, 13T
12	106-8677	2	Ring-Retaining, External	37	106-8683	1	Shaft-Motor
13	106-8678	1	Rod-Bypass	38	104-5360	1	Washer
14	106-8679	1	Ring-Retaining, Internal	39	94-1933	2	Washer
15	107-2490	1	Arm-Bypass	40	104-5317	1	Gear-10T/48T
16	106-8681	1	Ring-Retaining, External	41	104-5318	1	Gear-Jackshaft, 10T
17	104-5304	1	Swashplate-Trunnion	42	104-5329	1	Pin-Jackshaft
18	104-5313	1	Seal-Lip	43	112-9854	1	Ring-Spiral, Retaining
19	104-2116	1	Stud	44	112-9855	1	Gear-52T, Bull
20	112-9853	1	Puck-Friction	45	112-9856	1	Washer
21	106-8747	1	Arm-Control	46	112-9857	1	Bearing-Sleeve
22	5-4460	1	Washer-Pivot	47	112-9858	1	Shaft-Axle
23	107-2488	1	Screw	48	112-9859	1	Bushing-Axle
24	105-1872	1	Nut	49	112-9860	1	Seal-Lip
25	94-1936	1	Spring-Block	50	106-8686	1	Seal Kit ●

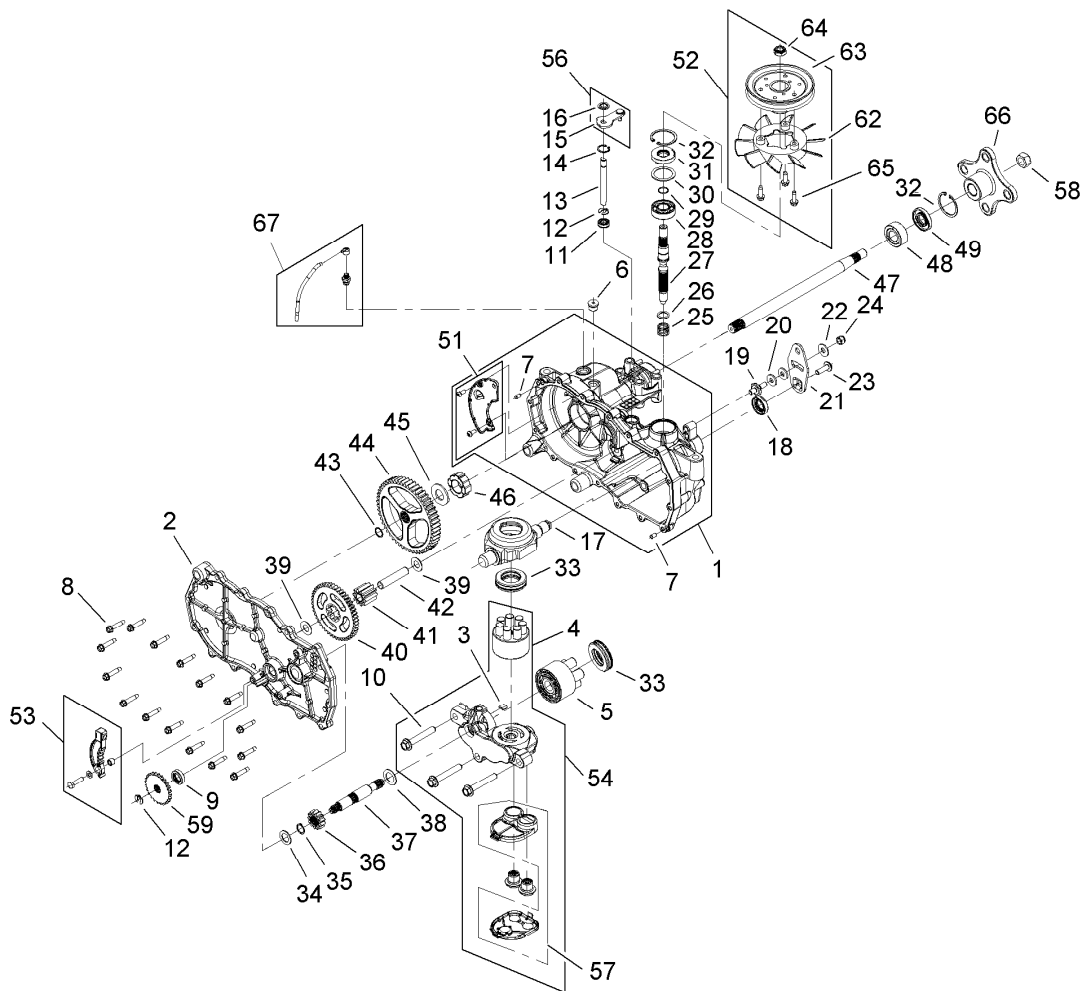
● Not illustrated



LH Hydro Transaxle Assembly No. 112-4760 (continued)

Ref.	Part Number	Qty.	Description	Ref.	Part Number	Qty.	Description
51	106-8697	1	Expansion Plate Kit	60	112-9864	1	Hose ●
52	106-8698	1	Fan Pulley Kit	61	108-8562	1	Pinch-Clamp, Single Ear ●
53	106-8688	1	Brake Arm Kit	62	110-8566	1	Fan-6 Inch, 10 Blade
54	112-9861	1	Center Section Filter Kit	63	104-1754	1	Pulley
55	104-2147	1	Sealant ●	64	105-1875	1	Nut-Lock
56	107-2489	1	Bypass Arm Kit	65	107-9122	1	Washer-Slotted
57	106-8693	1	Filter Kit	66	105-1894	1	Hub ASM
58	110-8563	1	Nut-Lock, HH	67	112-9866	1	Breather Kit
59	106-8694	1	Disc-Brake, Cog				

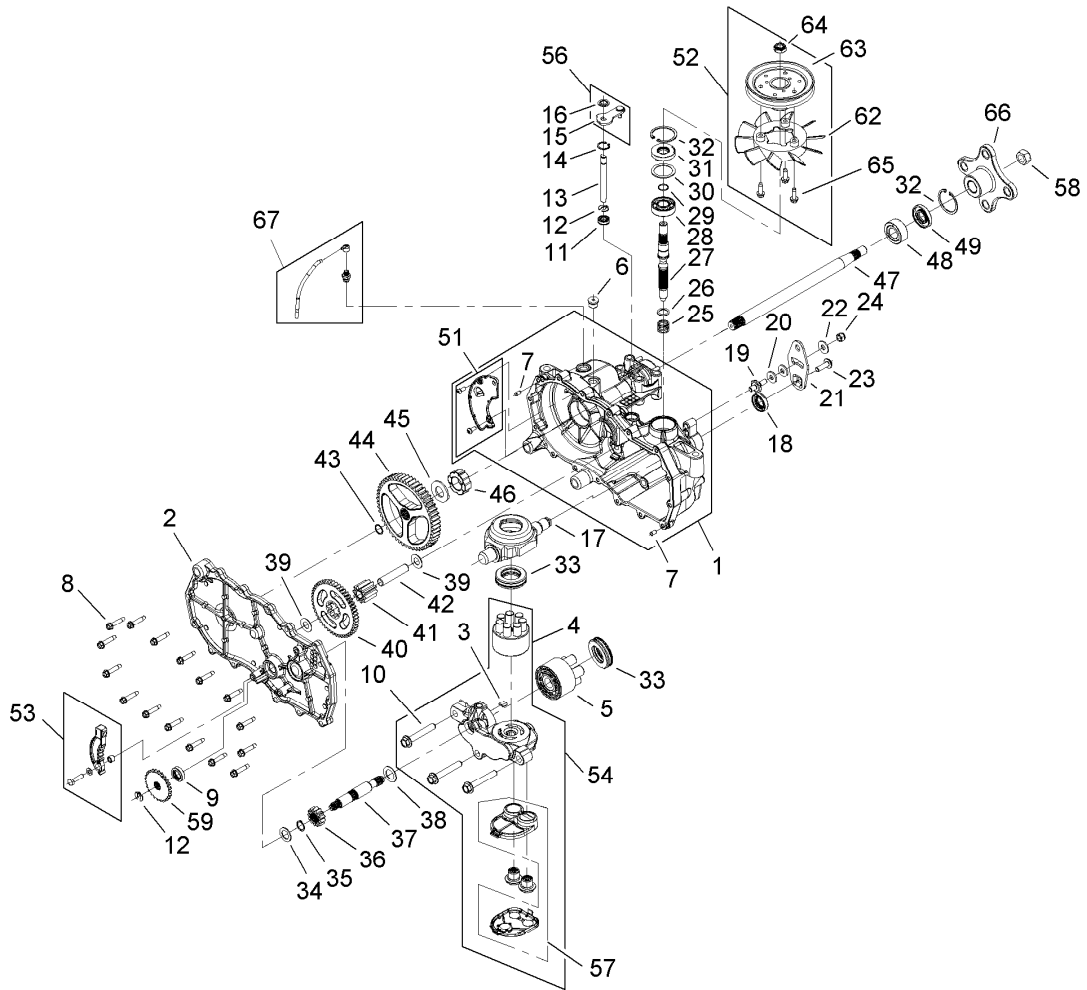
● Not illustrated



RH Hydro Transaxle Assembly No. 112-4761

Ref.	Part Number	Qty.	Description	Ref.	Part Number	Qty.	Description
1	106-8674	1	Main Housing ASM	26	94-1937	1	Washer-Thrust
2	106-8675	1	Side ASM	27	104-5306	1	Shaft-Input
3	110-8560	1	Plate-Bypass	28	104-5311	1	Bearing-Ball
4	110-8561	1	Pump Block ASM	29	104-5307	1	Ring-Retaining
5	103-2666	1	Cylinder Block Kit	30	104-5308	1	Spacer
6	104-2189	1	Plug-Thread, Straight	31	104-5310	1	Seal-Lip
7	104-2170	2	Pin	32	104-5309	2	Ring-Retaining
8	104-5305	16	Screw-HHF	33	94-6922	2	Bearing-Thrust
9	112-9851	1	Brake Seal Kit	34	104-5339	1	Washer-Flat
10	94-6926	3	Bolt	35	104-5340	1	Ring-Retaining
11	106-8676	1	Seal-Lip	36	104-5316	1	Gear-Pinion, 13T
12	106-8677	2	Ring-Retaining, External	37	106-8683	1	Shaft-Motor
13	106-8678	1	Rod-Bypass	38	104-5360	1	Washer
14	106-8679	1	Ring-Retaining, Internal	39	94-1933	1	Washer
15	112-9852	1	Arm-Bypass	40	104-5317	1	Gear-10T/48T
16	106-8681	1	Ring-Retaining, External	41	104-5318	1	Gear-Jackshaft, 10T
17	104-5304	1	Swashplate-Trunnion	42	104-5329	1	Pin-Jackshaft
18	104-5313	1	Seal-Lip	43	112-9854	1	Ring-Spiral, Retaining
19	104-2116	1	Stud	44	112-9855	1	Gear-52T, Bull
20	112-9853	1	Puck-Friction	45	112-9856	1	Washer
21	106-8747	1	Arm-Control	46	112-9857	1	Bearing-Sleeve
22	5-4460	1	Washer-Pivot	47	112-9858	1	Shaft-Axle
23	107-2488	1	Screw	48	112-9859	1	Bushing-Axle
24	105-1872	1	Nut	49	112-9860	1	Seal-Lip
25	94-1936	1	Spring-Block	50	106-8686	1	Seal Kit ●

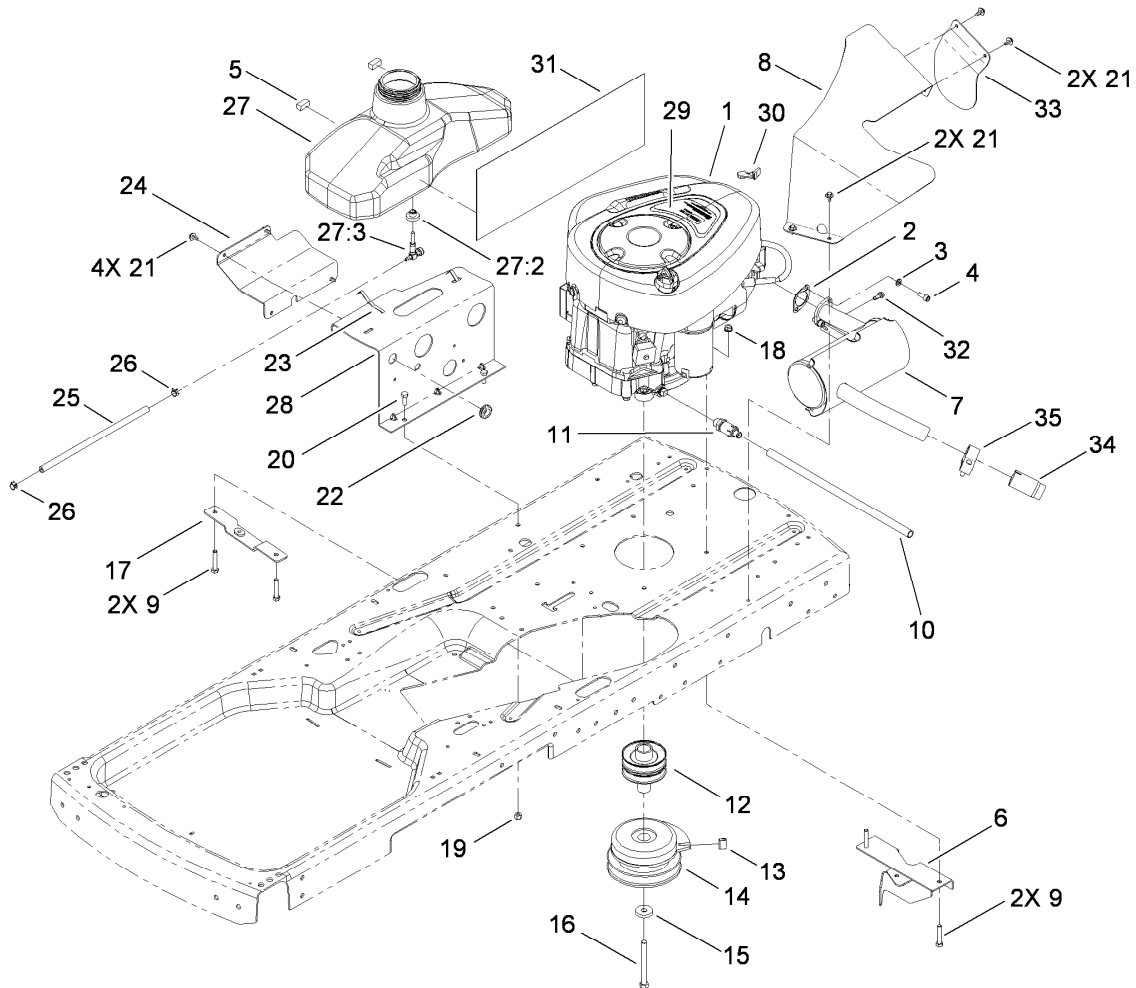
● Not illustrated



RH Hydro Transaxle Assembly No. 112-4761 (continued)

Ref.	Part Number	Qty.	Description	Ref.	Part Number	Qty.	Description
51	106-8687	1	Expansion Plate Kit	60	112-9865	1	Hose ●
52	105-1928	1	Fan Pulley Kit	61	108-8562	1	Pinch-Clamp, Single Ear ●
53	106-8688	1	Brake Arm Kit	62	105-1927	1	Fan
54	112-9862	1	Center Section Filter Kit	63	105-1896	1	Pulley
55	104-2147	1	Sealant ●	64	105-1875	1	Nut-Lock
56	107-2489	1	Bypass Arm Kit	65	104-2120	3	Screw
57	106-8693	1	Filter Kit	66	105-1894	1	Hub ASM
58	105-1895	1	Nut	67	112-9866	1	Breather Kit
59	106-8694	1	Disc-Brake, Cog				

● Not illustrated

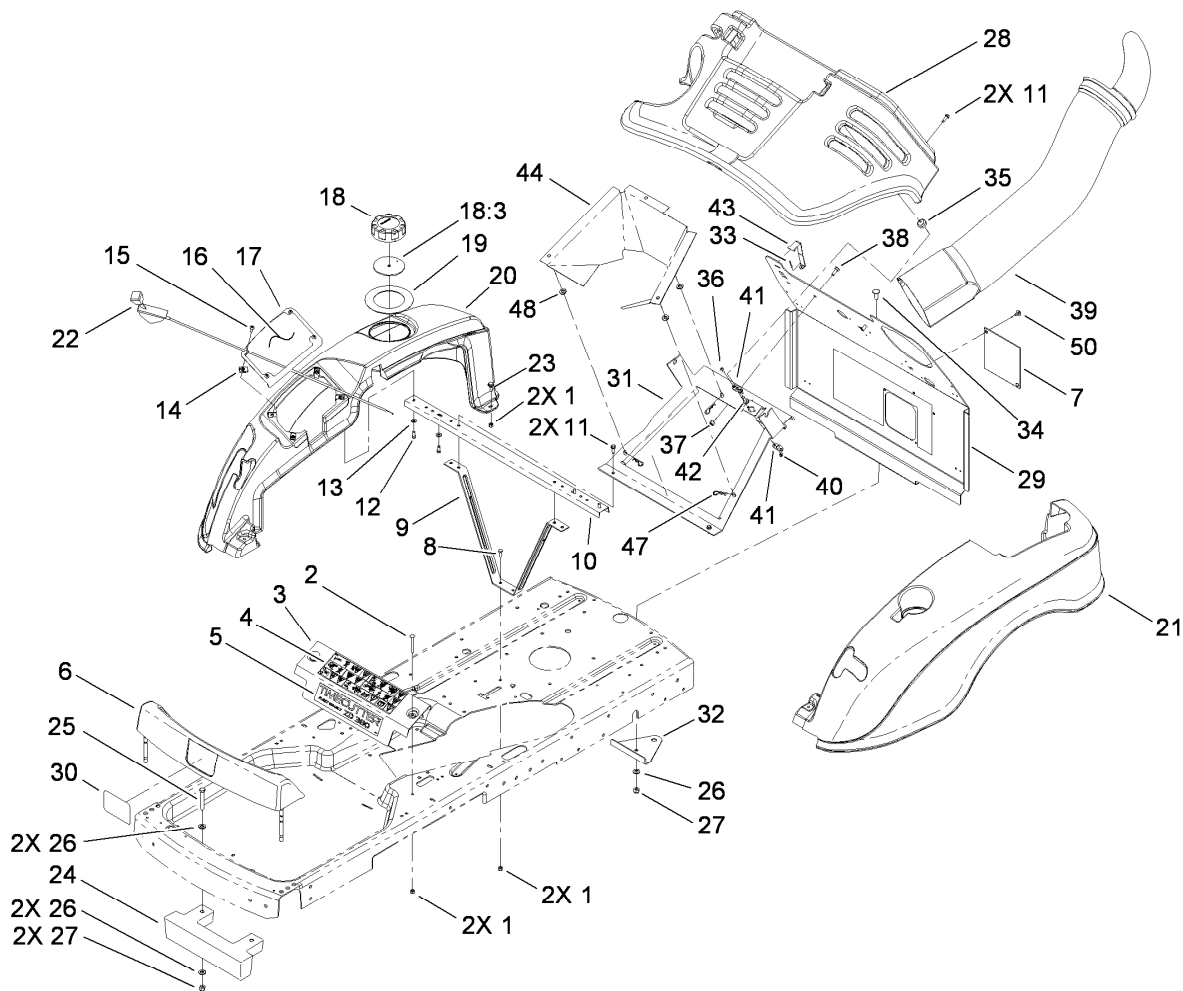


Engine, Muffler and Clutch Assembly

Ref.	Part Number	Qty.	Description	Ref.	Part Number	Qty.	Description
1		1	Engine-B&s, 31P777-0133-B1 ●■	19	3296-29	2	Nut-Lock, NI
2	88-4410	1	Gasket-Exhaust	20	322-4	2	Screw-HH
3	3253-4	2	Washer-Lock	21	46-8560	8	Screw-HHFTF
4	3274-10	2	Screw-HSH	22	237-124	1	Grommet
5	104-2488	2	Foam-Switch, Seat	23	609830	2	Spring
6	107-4873	1	Bracket-Pivot	24	108-2315-03	1	Plate-Support
7	106-7007	1	Muffler	25	109-0297	1	Hose-Fuel
8	112-7564-03	1	Shield-Clipping	26	2412-98	2	Clamp-Hose
9	322-9	4	Screw-HH	27	105-3464	1	Gas Tank ASM
10	106-7022	1	Tube-Drain, Oil	27:2	46-6560	1	Bushing
11	92-6877	1	Valve-Drain, Oil	27:3	110-6565	1	Valve-Fuel
12	105-3472	1	Pulley-Engine	28	108-2314-03	1	Plate-Tank
13	98-5023	1	Bumper	29	112-4775	1	Decal-Engine
14	104-3334	1	Clutch-Electric	30	88-4490	1	Reducer-Throttle, Rpm
15	112843	1	Washer	31	112-4776	1	Foil-Shield, Heat
16	3212-16	1	Screw-HH	32	32144-44	1	Screw-HWH, Thread Roll
17	106-2156	1	Plate-Mount, Idler	33	114-3608-03	1	Shield-Deflector, Heat
18	32128-25	4	Nut-HF	34	103-1513	1	Arrester-Spark
				35	103-1514	1	Clamp-Muffler

● Not serviced separately

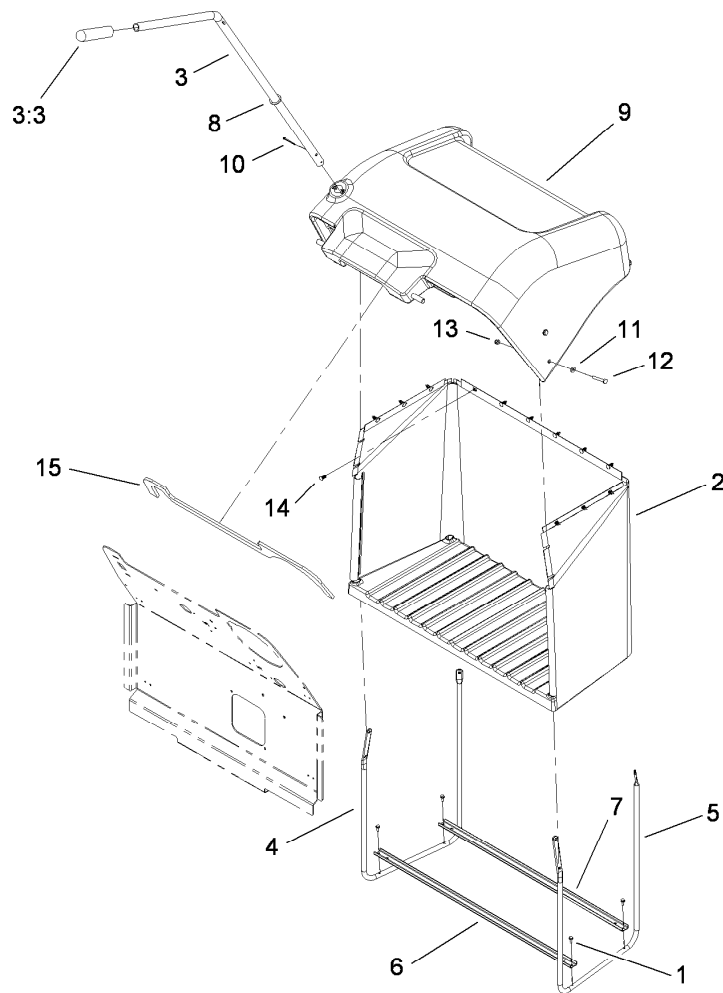
■ Obtain parts from www.briggsandstratton.com



Styling Assembly

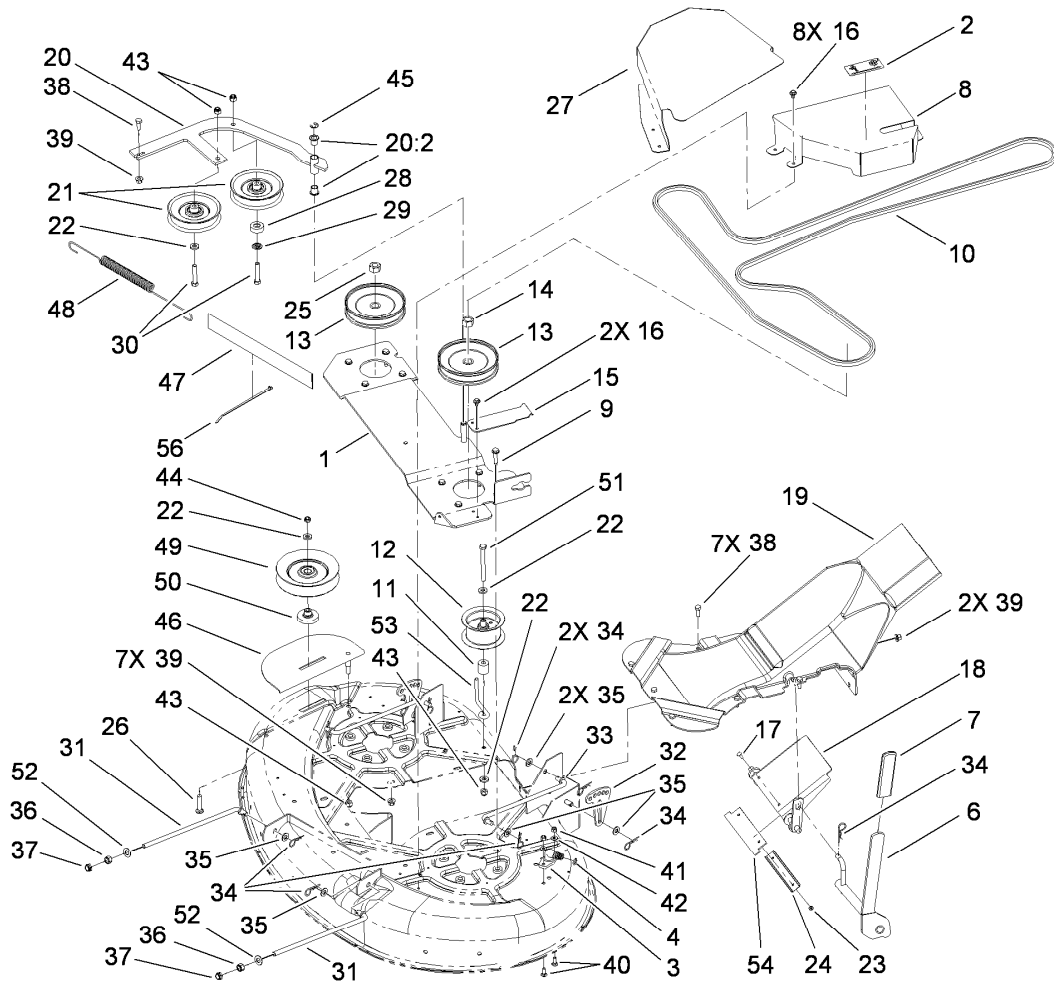
Ref.	Part Number	Qty.	Description
1	3296-42	6	Nut-Lock, NI
2	3229-7	2	Screw-CARR
3	106-2164-03	1	Bracket-Support, Front
4	110-6567	1	Decal-Danger
5	108-8765	1	Decal
6	105-6965	1	Footrest ASM
7	114-3699	1	Access Door ASM
8	321-4	2	Screw-HH
9	106-6994-03	1	Brace ASM
10	108-2313-03	1	Channel-Cross
11	32144-44	4	Screw-HWH, Thread Roll
12	46-8090	4	Screw-Plastite
13	3256-22	4	Washer-Flat
14	107069	4	Clip
15	3258-166	4	Screw-PRH
16	106-2224	1	Decal-Control
17	106-2167-03	1	Panel-Control
18	88-3980	1	Gas Cap ASM
18:3	88-4010	1	Gasket-Cap, Gas
19	106-7042	1	Seal-Rubber
20	106-2161	1	Cover-Side, RH
21	108-8824	1	Cover-Side, LH
22	104-3626	1	Cable-Throttle
23	11-9030	2	Screw-Shoulder

Ref.	Part Number	Qty.	Description
24	105-6972-03	1	Weight-Bagger
25	323-12	2	Screw-HH
26	3256-24	5	Washer-Flat
27	3296-39	3	Nut-Lock, NI
28	110-3647	1	Cover-Engine
29	114-3657-03	1	Shield-Heat, Bag
30	105-6971	1	Decal
31	112-7565-03	1	Offset Hinge ASM
32	114-3658-03	1	Hitch-Trailer
33	3272-6	1	Pin-Cotter
34	3231-22	1	Screw-CARR
35	108-2305	1	Grommet
36	3274-39	2	Screw-HSBH
37	3296-29	4	Nut-Lock, NI
38	322-3	4	Screw-HH
39	110-3626	1	Tube-Discharge
40	3296-12	2	Nut-Lock, NI
41	107-9199	2	Plate
42	107-9198	1	Pin-Hood
43	114-3603	1	Tab-Switch
44	112-7555-03	1	Duct-Fan, Engine
47	3290-467	3	Pin-Hair
48	62-1230	3	Washer-Rubber
50	46-8560	2	Screw-HHFTF



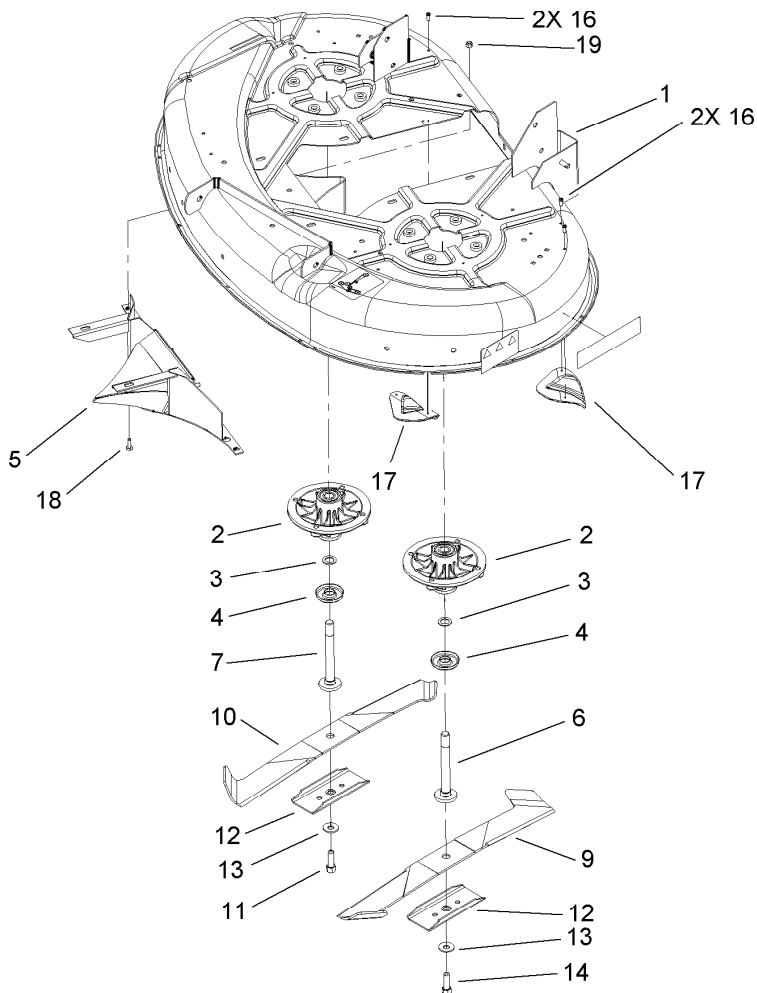
Bagging Assembly

<i>Ref.</i>	<i>Part Number</i>	<i>Qty.</i>	<i>Description</i>
1	32144-1	4	Screw-Taptite
2	112-6686	1	Grass Bag ASM
3	114-9437	1	Lift Handle ASM
3:3	110-1037	1	Grip-Handle
4	112-6684-03	1	Frame-Bag, Right
5	112-6683-03	1	Frame-Bag, Left
6	112-6688-03	1	Support-Base, Front
7	112-6689-03	1	Support-Base, Rear
8	1-303352	1	Washer-Spindle
9	114-3652	1	Cover-Catcher, Grass
10	3272-12	1	Pin-Cotter
11	3256-1	6	Washer-Flat
12	321-53	6	Screw-HH
13	3296-73	6	Nut-Lock, NI
14	114-4899	12	Rivet-Push
15	114-3660	1	Seal-Bag, Grass



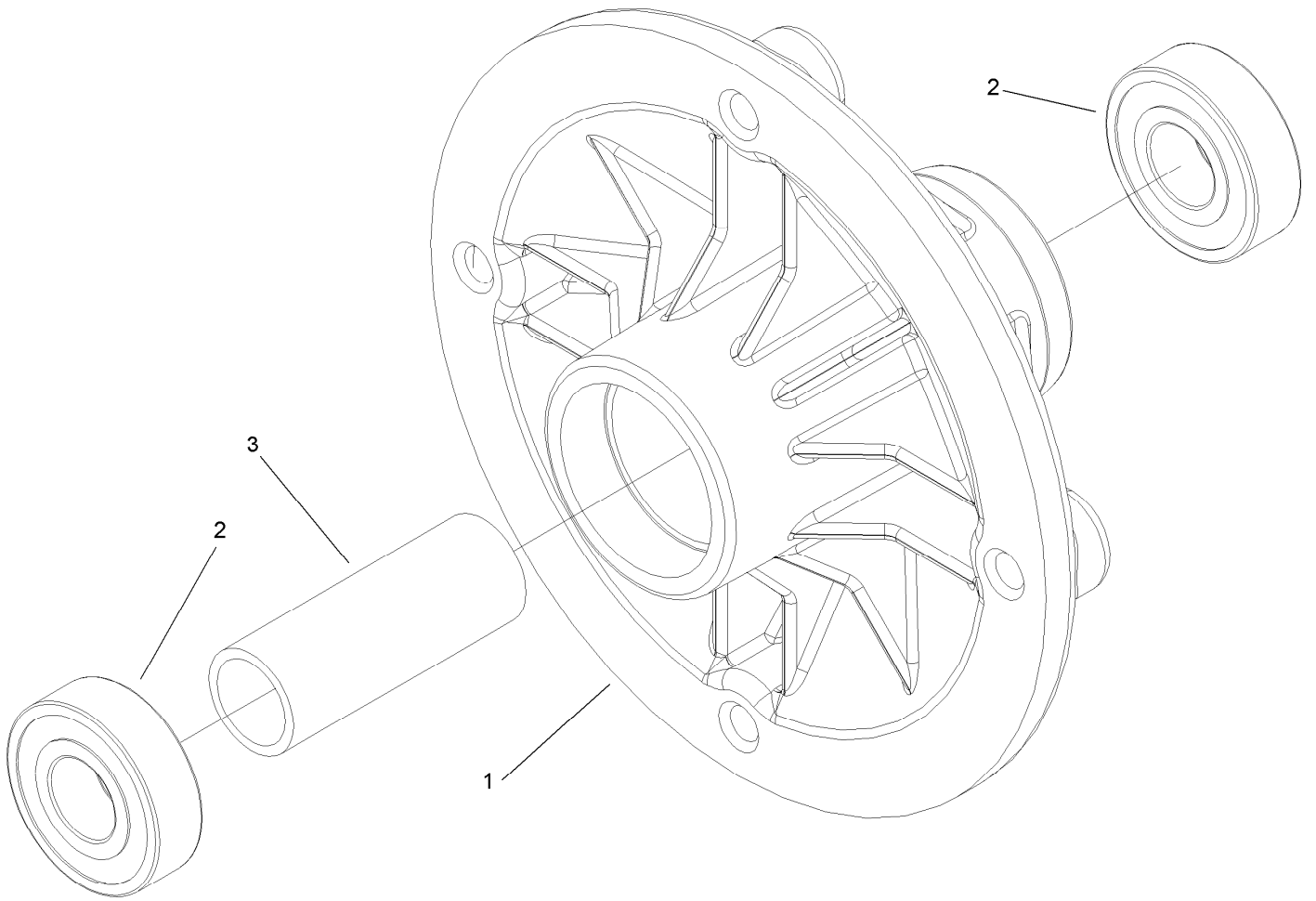
42 Inch Top Deck Assembly

Ref.	Part Number	Qty.	Description	Ref.	Part Number	Qty.	Description
1	112-6737-03	1	Stiffener ASM	29	108-8808	1	Washer-Shoulder
2	108-8769	1	Decal-Bag On Demand	30	323-10	2	Screw-HH
3	95-2747	1	Fitting-Washout	31	105-3437	2	Rod-Hanger
4	46-6290	1	O-Ring	32	88-5570-03	2	Link-Adjusting, HOC
6	110-8811-03	1	Control Lever ASM	33	108-8834	2	Rod-Lift, Deck
7	105-3450	1	Grip-Lever, Lift	34	9335054	11	Pin-Hair
8	112-3481-03	1	Cover-Belt, LH	35	3256-24	8	Washer-Flat
9	32144-57	8	Screw	36	3219-4	2	Nut-Hex
10	108-9459	1	Belt-Aa	37	3296-38	2	Nut-Lock, NI
11	61-2220	1	Spacer	38	322-4	8	Screw-HH
12	107280	1	Pulley-Idler	39	3296-58	10	Nut-Lock, NI
13	88-5330	2	Pulley	40	3229-1	2	Bolt-CARR
14	3219-6	1	Nut-Hex	41	3296-42	2	Nut-Lock, NI
15	112-6675	1	Spring-Detent	42	3256-1	2	Washer-Flat
16	46-8560	10	Screw-HHFTF	43	3296-39	4	Nut-Lock, NI
17	3229-34	2	Screw-CARR	44	3296-59	1	Nut-Lock, NI
18	112-3428-03	1	38 Inch Door ASM	45	32120-47	1	Ring-Retaining, External
19	108-8865	1	Adapter-Discharge	46	110-3625-03	1	Idler Bracket ASM
20	110-3681	1	Idler Arm W/Bushings ASM	47	74-3280	1	Guard-Splash
20:2	256-219	2	Bushing	48	112-4763	1	Spring-Arm, Idler
21	94-2447	2	Pulley-Idler	49	1-633166	1	Pulley-Idler
22	65-9130	4	Washer	50	108-8802	1	Idler Bushing And Spacer ASM
23	3296-12	2	Nut-Lock, NI	51	323-42	1	Screw-HH
24	110-8575	1	Plate-Seal, Door	52	3256-25	2	Washer-Flat
25	3219-16	1	Nut-Hex	53	112-4787	1	Guide-Belt, Idler
26	3231-5	1	Screw-CARR	54	114-3600	1	Seal-Door, Recycle
27	112-3480-03	1	Cover-Belt, RH	56	614249	1	Tie-Cable
28	108-8807	1	Slider				



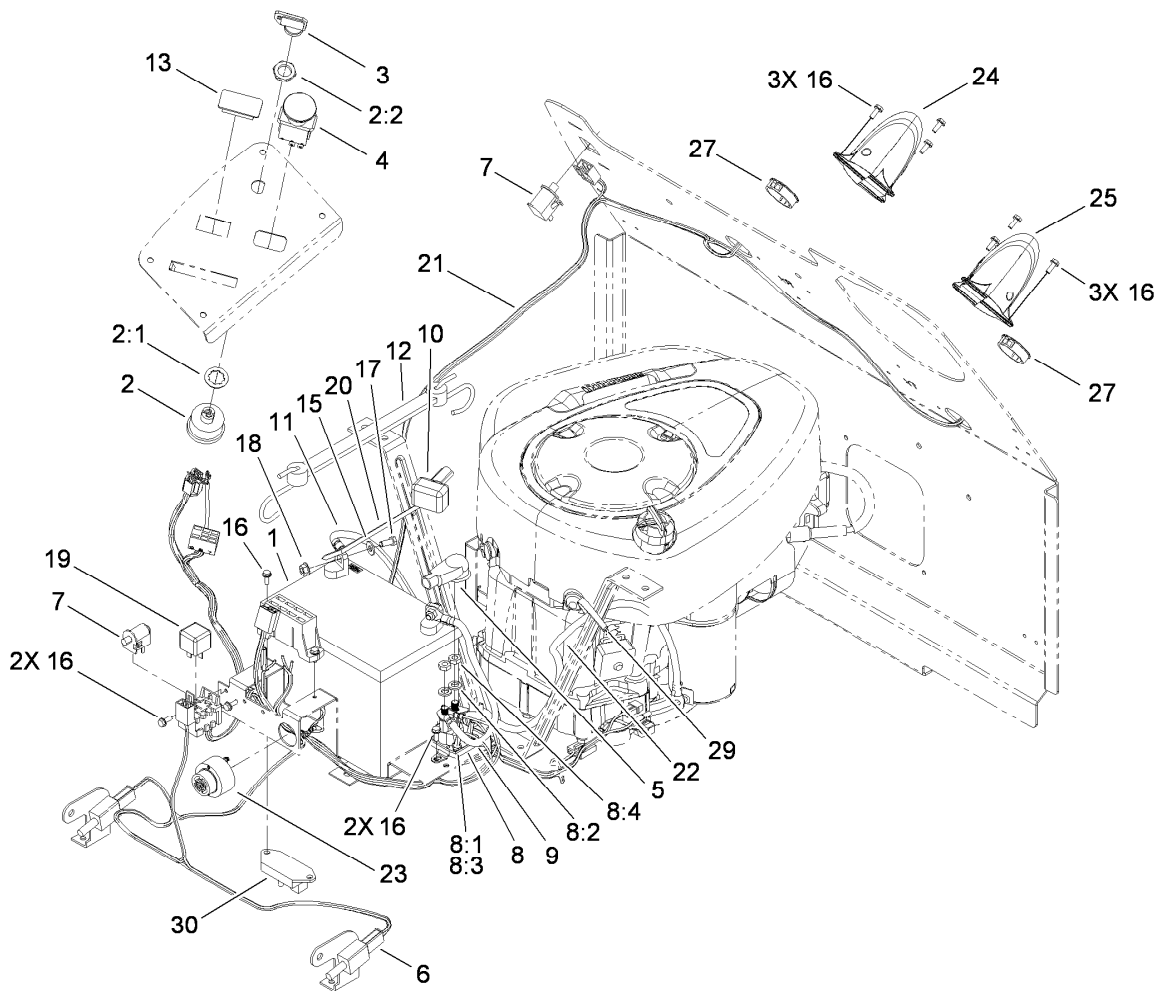
42 Inch Bottom Deck Assembly

<i>Ref.</i>	<i>Part Number</i>	<i>Qty.</i>	<i>Description</i>
1	110-8555	1	42 Inch Deck ASM
2	107-9161	2	Spindle ASM
3	80-4380	2	Spacer
4	80-4360	2	Shield-Bearing
5	112-4794-03	1	42 Inch Rear Baffle ASM
6	80-4341	1	Shaft-Spindle
7	108-8801	1	Shaft-Spindle
9	107-8959-03	1	Blade-LH, 21.60 Inch
10	107-8958-03	1	Blade-RH, 21.60 Inch
11	108-8823	1	Screw-HH
12	106-2248-03	2	Stiffener-Blade
13	3290-465	2	Washer-Belleville
14	26-0671	1	Screw-HH
16	32144-111	4	Screw-PPH
17	76-2160	2	Plate-Kicker
18	321-4	3	Screw-HH
19	3296-42	3	Nut-Lock, NI



Spindle Assembly No. 107-9161

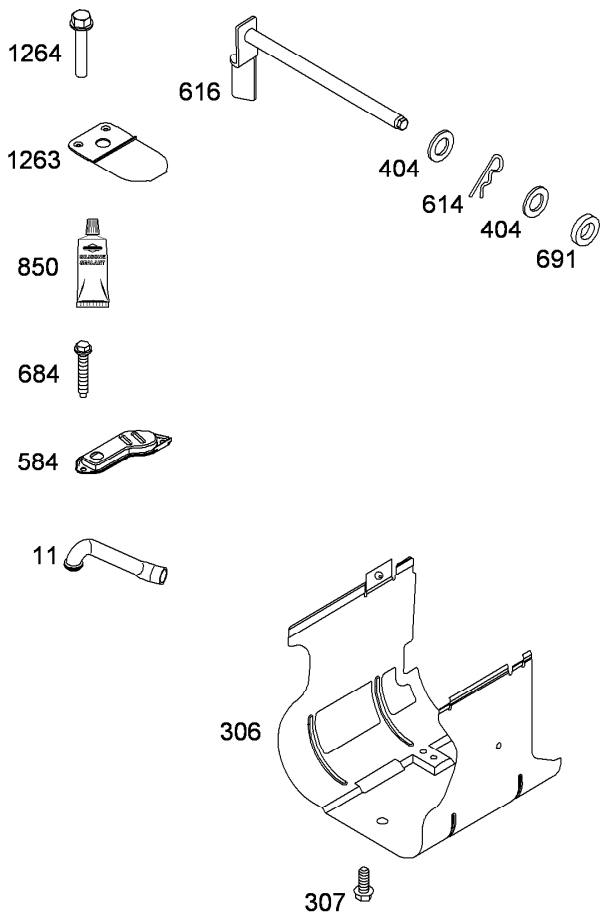
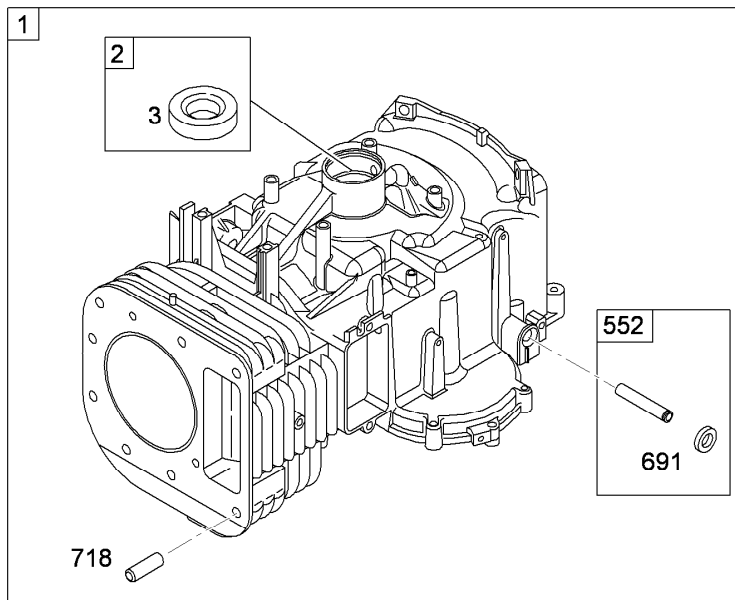
<i>Ref.</i>	<i>Part Number</i>	<i>Qty.</i>	<i>Description</i>
1	88-4510	1	Housing-Spindle
2	136-5441	2	Bearing-Ball
3	62-3661	1	Spacer



Electrical Assembly

<i>Ref.</i>	<i>Part Number</i>	<i>Qty.</i>	<i>Description</i>
1	104-2493	1	Battery
2	88-9830	1	Key Switch ASM
2:1	3254-5	1	Washer-Lock
2:2	218-461	1	Nut-HH
3	63-8360	1	Key-Ignition
4	95-7489	1	Switch-PTO
5	28-8080	1	Boot-Terminal
6	106-2216	2	Switch
7	82-2190	2	Switch-Bail
8	1-513075	1	Switch-Solenoid
8:1	3253-17	2	Washer-Lock
8:2	3253-4	2	Washer-Lock
8:3	3219-14	2	Nut-Hex
8:4	3220-2	2	Nut-Jam
9	100-3540	1	Cable-Battery, Positive
10	93-3190	1	Boot-Insulator, Terminal
11	95-7654	1	Cable-Negative, Black

<i>Ref.</i>	<i>Part Number</i>	<i>Qty.</i>	<i>Description</i>
12	104-2466	1	Holddown-Battery
13	99-7420	1	Plug-Hole
15	3256-22	2	Washer-Flat
16	32144-1	13	Screw-Taptite
17	321-4	2	Screw-HH
18	32128-33	3	Nut-HF
19	98-7249	1	Relay
20	614249	1	Tie-Cable
21	112-7561	1	Harness-Wire
22	92-6989	1	Wire-21 Inch
23	103-0205	1	Alarm-Tone, Dual
24	112-9890	1	Bag Sensor ASM
25	110-8018	1	Bag Sensor ASM
27	110-8589	2	Bushing-Harness, Wire
29	105-1853	1	Clamp-Hose
30	100-6170	1	Module-Delay



48 Short Block

1058 Operator Manual

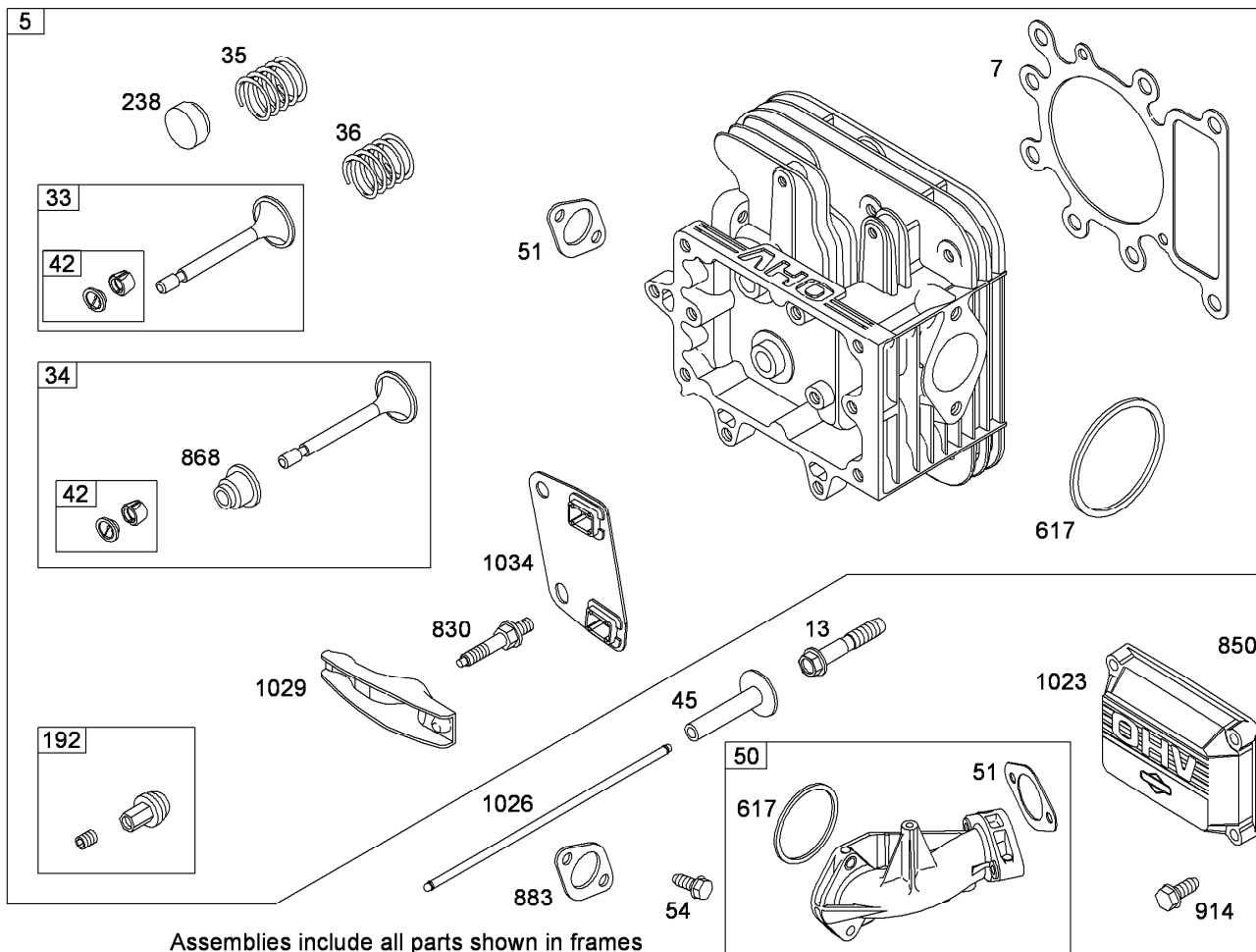
Assemblies include all parts shown in frames

Cylinder Assembly Briggs and Stratton Model 31P777-0133-E1

Ref.	Part Number	Qty.	Description
1	793987	1	Cylinder Asm ●
2	399265	1	Bushing And Seal Kit (Magneto Side) ●
3	391086s	1	Seal-Oil (Magneto Side) ●■
11	794683	1	Tube-Breather ●
48	697762	1	Short Block ASM ●
306	697107	1	Shield-Cylinder ●
307	691003	1	Screw (Cylinder Shield) ●
337	691043	1	Spark Plug ●
383	89838s	1	Wrench-Spark Plug ●
404	691691	1	Washer (Governor Crank) ●
552	697144	1	Bushing-Crank, Governor ●
584	794682	1	Cover-Passage, Breather ●
614	691620	1	Pin-Cotter ●
616	692012	1	Crank-Governor ●
635	691909	1	Boot-Spark Plug ●
684	697157	1	Screw (Breather Passage Cover) ●
691	692407	1	Seal-Shaft, Governor ●■
718	690959	1	Pin-Locating ●
850	100100	1	Sealant-Liquid ●
1058	MS3788	1	Manual-Operator ●
1263	697124	1	Reed-Breather ●
1264	697104	1	Screw (Breather Reed) ●

● Obtain parts from www.briggsandstratton.com

■ Included in Engine Gasket Set (Ref. No. 358)



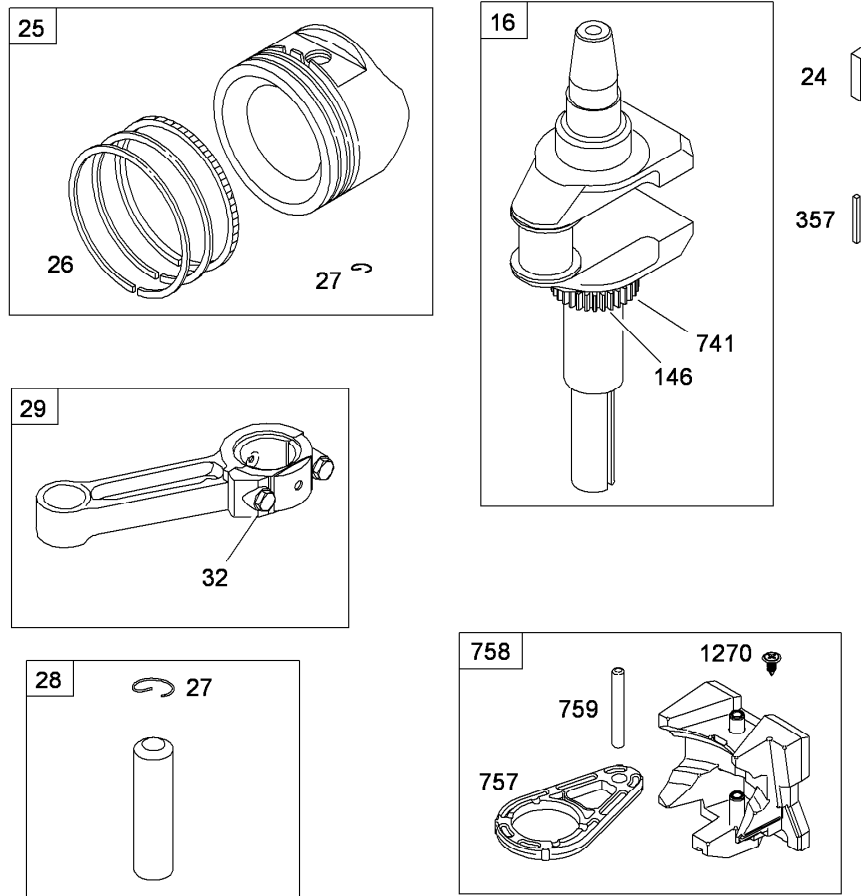
Assemblies include all parts shown in frames

Cylinder Head Assembly Briggs and Stratton Model 31P777-0133-E1

Ref.	Part Number	Qty.	Description	Ref.	Part Number	Qty.	Description
5	793989	1	Head-Cylinder ●	238	691843	1	Cap-Valve ●
7	699168	1	Gasket-Head, Cylinder ●■	617	692138	1	Seal-O Ring (Intake Manifold) ●◆■
13	793988	1	Screw (Cylinder Head Gasket) ●	830	691095	1	Stud-Arm, Rocker ●
33	791934	1	Valve-Exhaust ●	850	100100	1	Sealant-Liquid ●
34	791935	1	Valve-Intake ●	868	690968	1	Seal-Valve ●◆■
35	691279	1	Spring-Valve (Intake) ●	883	692236	1	Gasket-Exhaust ●
36	691279	1	Spring-Valve (Exhaust) ●	914	691108	1	Screw (Rocker Cover) ●
42	499586	1	Keeper-Valve ●	1023	791079	1	Cover-Rocker ●
45	690564	1	Tappet-Valve ●	1026	692003	1	Rod-Push (Intake) ●
50	690193	1	Manifold-Intake ●	1026	692011	1	Rod-Push (Exhaust) ●
51	692137	1	Gasket-Intake ●◆■▲	1029	691751	1	Arm-Rocker ●
54	691148	1	Screw (Intake Manifold) ●	1034	690822	1	Guide-Rod, Push ●
192	691986	1	Adjustor-Arm, Rocker ●				

● Obtain parts from www.briggsandstratton.com
▲ Included in Valve Gasket Set (Ref. No. 1095)

■ Included in Engine Gasket Set (Ref. No. 358)
◆ Included in Carburetor Overhaul Kit (Ref. No. 121)



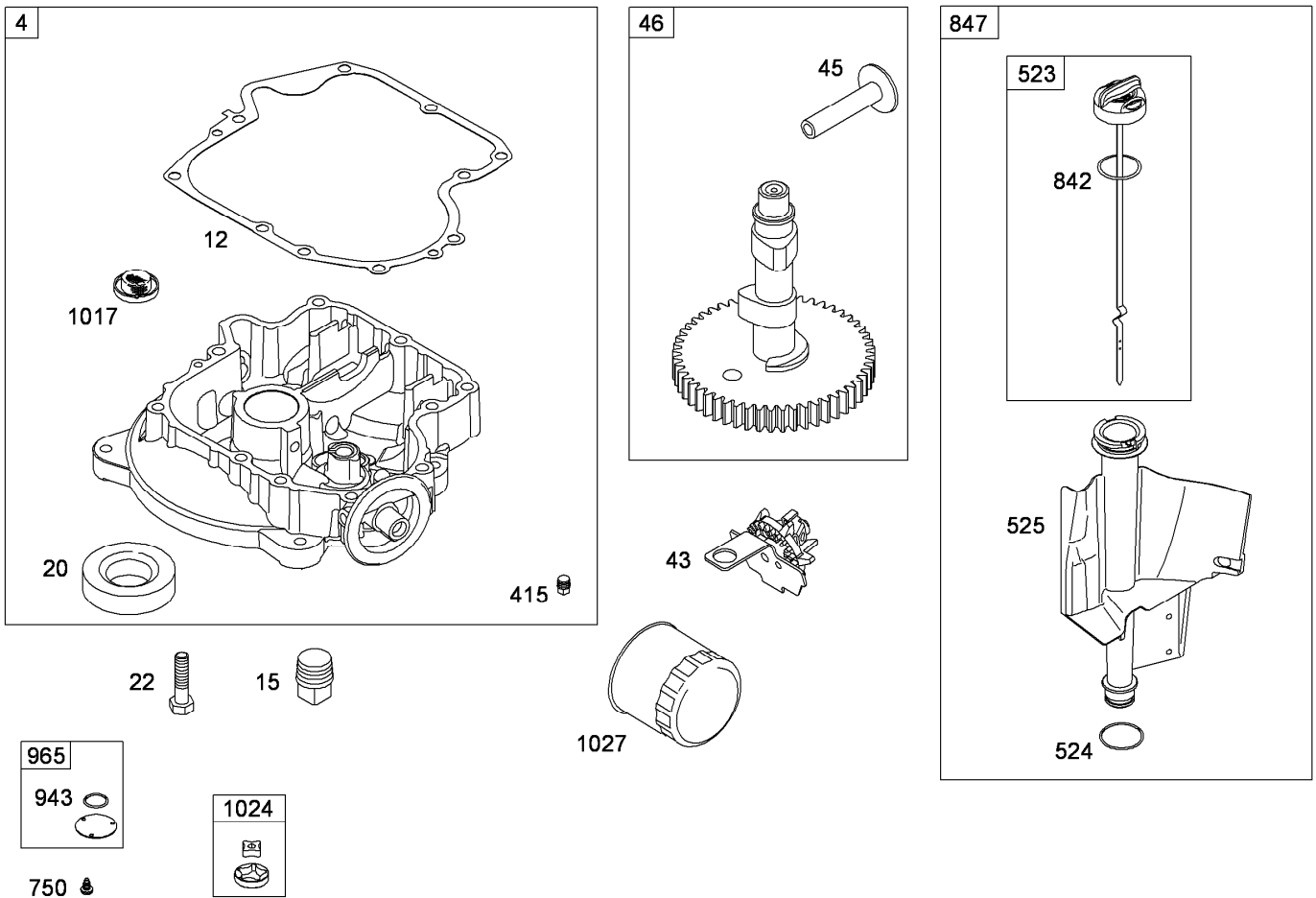
Assemblies include all parts shown in frames

Crankshaft Assembly

Briggs and Stratton Model 31P777-0133-E1

Ref.	Part Number	Qty.	Description
16	697127	1	Crankshaft ●
24	222698s	1	Key-Flywheel ●
25	791937	1	Piston Asm (Standard) ●
25	793019	1	Piston Asm (.020 Oversize) ●
26	791936	1	Ring Set (Standard) ●
26	792649	1	Ring Set (.020 Oversize) ●
27	698469	1	Lock-Pin, Piston ●
28	697099	1	Pin-Piston (Standard) ●
29	794122	1	Rod-Connecting (Standard) ●
32	791118	1	Screw (Connecting Rod) ●
146	691639	1	Key-Timing ●
357	691483	1	Key pulley , Drive ●
741	697128	1	Gear-Timing ●
757	793242	1	Link-Counterweight ●
758	697134	1	Counterweight ●
759	697392	1	Pin-Counterweight ●
1270	793243	1	Plug-Counterweight, A V S ●

● Obtain parts from www.briggsandstratton.com



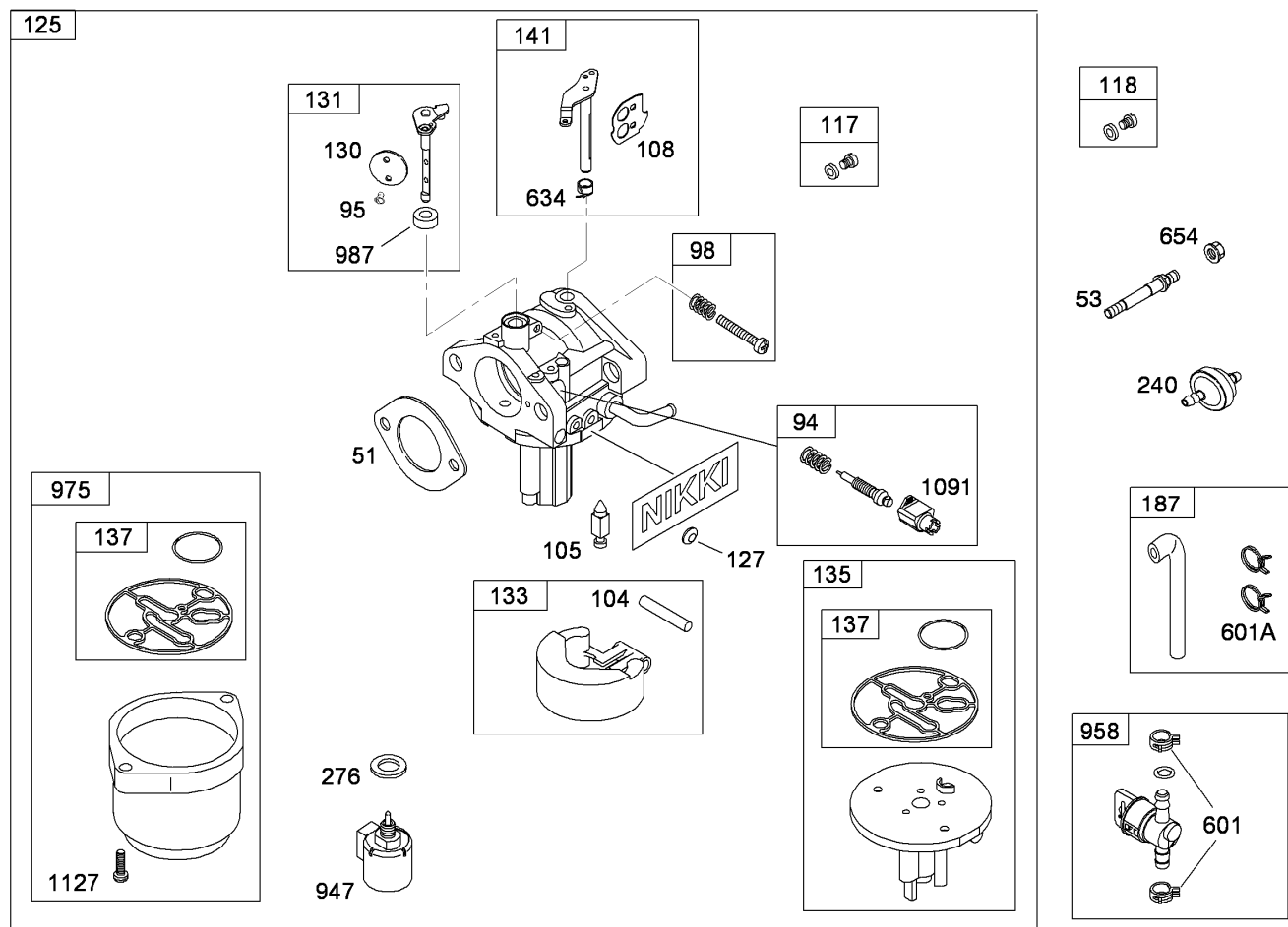
Assemblies include all parts shown in frames

Crankcase Assembly Briggs and Stratton Model 31P777-0133-E1

Ref.	Part Number	Qty.	Description
4	697188	1	Sump-Engine ●
12	697110	1	Gasket-Crankcase ●■
15	690946	1	Plug-Drain, Oil ●
20	791892	1	Seal-Oil (PTO Side) ●■
22	692125	1	Screw (Engine Sump) ●
43	691968	1	Slinger-Governor, Oil ●
45	690564	1	Tappet-Valve ●
46	793880	1	Camshaft ●
415	690283	1	Plug-Oil ●
523	699908	1	Dipstick ●
524	691032	1	Seal-O Ring (Dipstick Tube) ●■
525	697184	1	Tube-Dipstick ●
750	790832	1	Screw (Oil Pump Cover) ●
842	691031	1	Seal-O Ring (Dipstick) ●■
847	790442	1	Dipstick And Tube ASM ●
943	690589	1	Seal-O Ring (Oil Pump Cover) ●■
965	499613	1	Cover-Pump, Oil ●
1017	690770	1	Screen-Pump, Oil ●
1024	499054	1	Pump-Oil ●
1027	492932s	1	Filter-Oil ●

● Obtain parts from www.briggsandstratton.com

■ Included in Engine Gasket Set (Ref. No. 358)



Assemblies include all parts shown in frames

Carburetor Assembly (Nikki) Briggs and Stratton Model 31P777-0133-E1

Ref.	Part Number	Qty.	Description	Ref.	Part Number	Qty.	Description
51	692137	1	Gasket-Intake ● □ ■ ◆ ▲	137	698781	1	Gasket-Bowl, Float ● ○
53	690227	1	Stud (Carburetor) ●	141	698778	1	Choke Shaft Kit ●
94	695425	1	Idle Mixture Kit ●	187	791805	1	Line-Fuel (Cut To Required Length) ●
95	690718	1	Screw (Throttle Valve) ● ○	240	394358s	1	Filter-Fuel ●
98	695408	1	Idle Speed Kit ●	276	695410	1	Washer-Sealing ●
104	694918	1	Pin-Hinge, Float ● ○	601	691038	1	Clamp-Hose ●
105	696136	1	Valve-Float, Needle ● ○	601A	791850	1	Clamp-Hose ●
108	695419	1	Valve-Choke ●	634	698779	1	Spring And Seal Asm ● ○
117	699732	1	Jet-Main (Standard) ●	654	690958	1	Nut (Carburetor) ●
118	792358	1	Jet-Main (High Altitude) ●	947	699915	1	Solenoid, Fuel ●
125	792171	1	Carburetor ●	958	698183	1	Valve shut Off, Fuel ●
127	690727	1	Plug-Welch ● ○	975	699502	1	Bowl-Float ●
130	699500	1	Valve-Throttle ●	987	698777	1	Seal-Shaft, Throttle ● ○
131	699501	1	Throttle Shaft Kit ●	1091	691333	1	Cap-Limiter ●
133	694914	1	Carburetor Float ASM ●	1127	695407	1	Screw (Float Bowl) ●
135	792022	1	Tube-Transfer, Fuel ●				

● Obtain parts from www.briggsandstratton.com

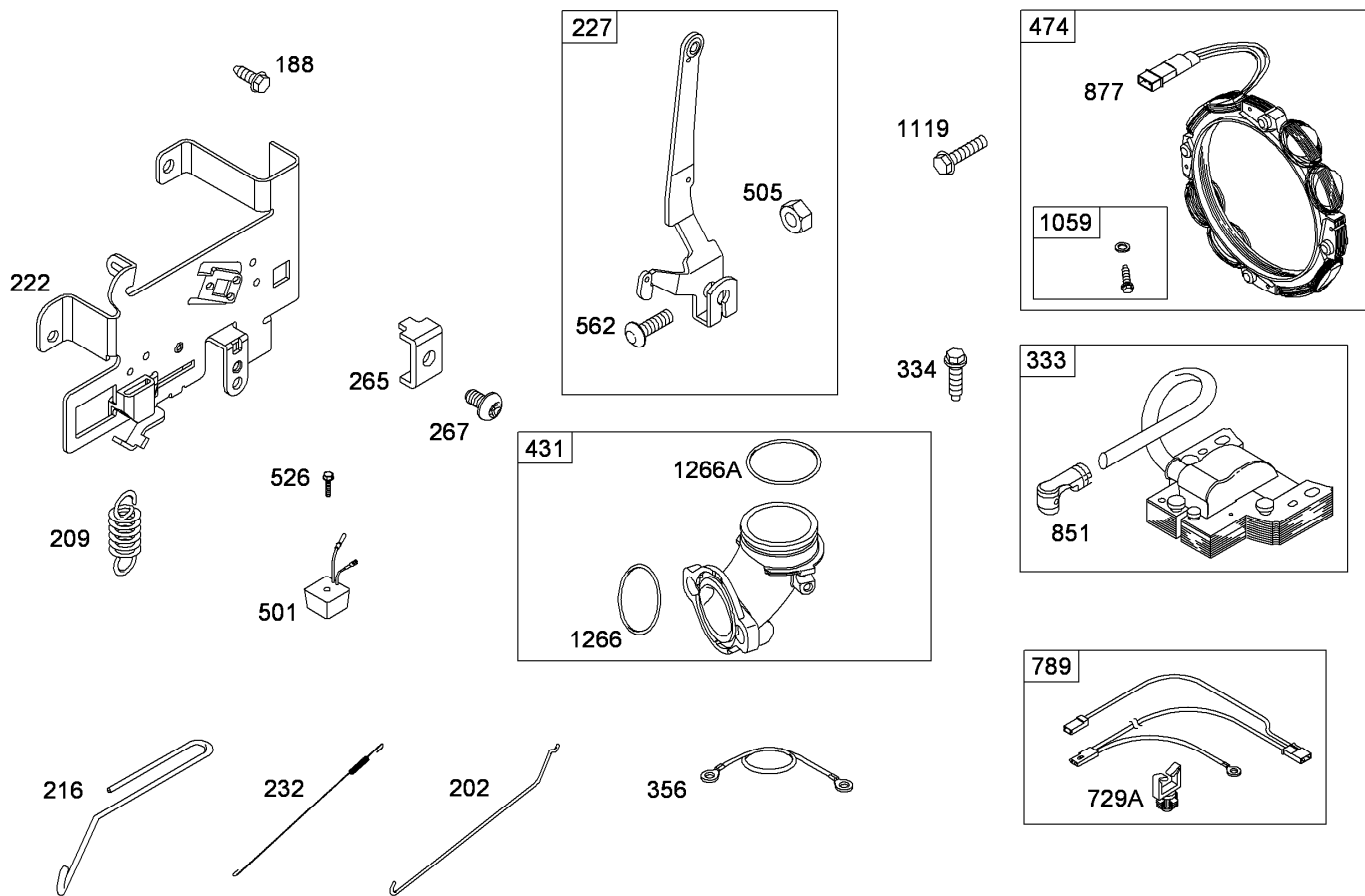
▲ Included in Valve Gasket Set (Ref. No. 1095)

□ Included in Carburetor Overhaul Kit (Ref. No. 121)

○ Included in Carburetor Overhaul Kit (Ref. No. 121, 121A)

■ Included in Engine Gasket Set (Ref. No. 358)

◆ Included in Carburetor Gasket Set (Ref. No. 977)



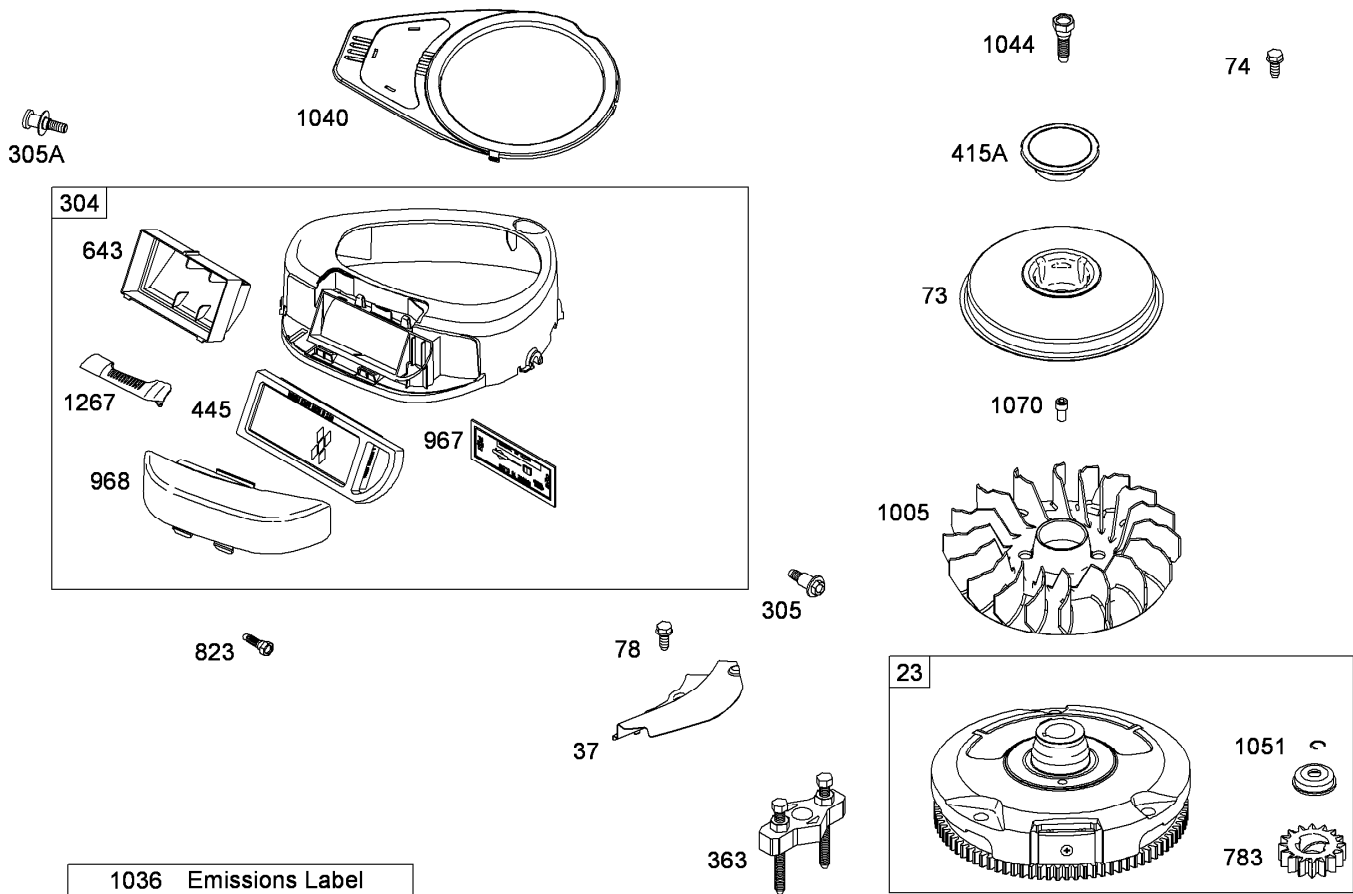
Assemblies include all parts shown in frames

Governor Assembly Briggs and Stratton Model 31P777-0133-E1

Ref.	Part Number	Qty.	Description	Ref.	Part Number	Qty.	Description
188	691693	1	Screw (Control Bracket) ●	505	691251	1	Nut (Governor Control Lever) ●
202	691841	1	Link-Governor, Mechanical ●	526	697348	1	Screw (Regulator) ●
209	692208	1	Spring-Governor ●	562	691119	1	Bolt (Governor Control Lever) ●
216	691840	1	Link-Choke ●	729A	694123	1	Clip wire ●
222	694042	1	Bracket-Control ●	789	692037	1	Wiring-Harness ●
227	691374	1	Lever-Control, Governor ●	851	493880s	1	Terminal-Spark Plug ●
232	691842	1	Spring-Link, Governor ●	877	399916	1	Connector-Wire, Alternator ●
265	691024	1	Clamp-Casing ●	1059	698516	1	Screw And Washer Kit ●
267	794904	1	Screw (Casing Clamp) ●	1119	691183	1	Screw (Alternator) ●
333	492341	1	Armature-Magneto ●	1266	691917	1	Seal-O Ring (Intake Elbow) ●▲■
334	691061	1	Screw (Magneto Armature) ●	1266A	697123	1	Seal-O Ring (Intake Elbow) ●▲■
356	697089	1	Stop-Wire ●				
431	697122	1	Elbow-Intake ●				
474	696458	1	Alternator ●				
501	691185	1	Regulator ●				

● Obtain parts from www.briggsandstratton.com
▲ Included in Carburetor Overhaul Kit (Ref. No. 121)

■ Included in Engine Gasket Set (Ref. No. 358)



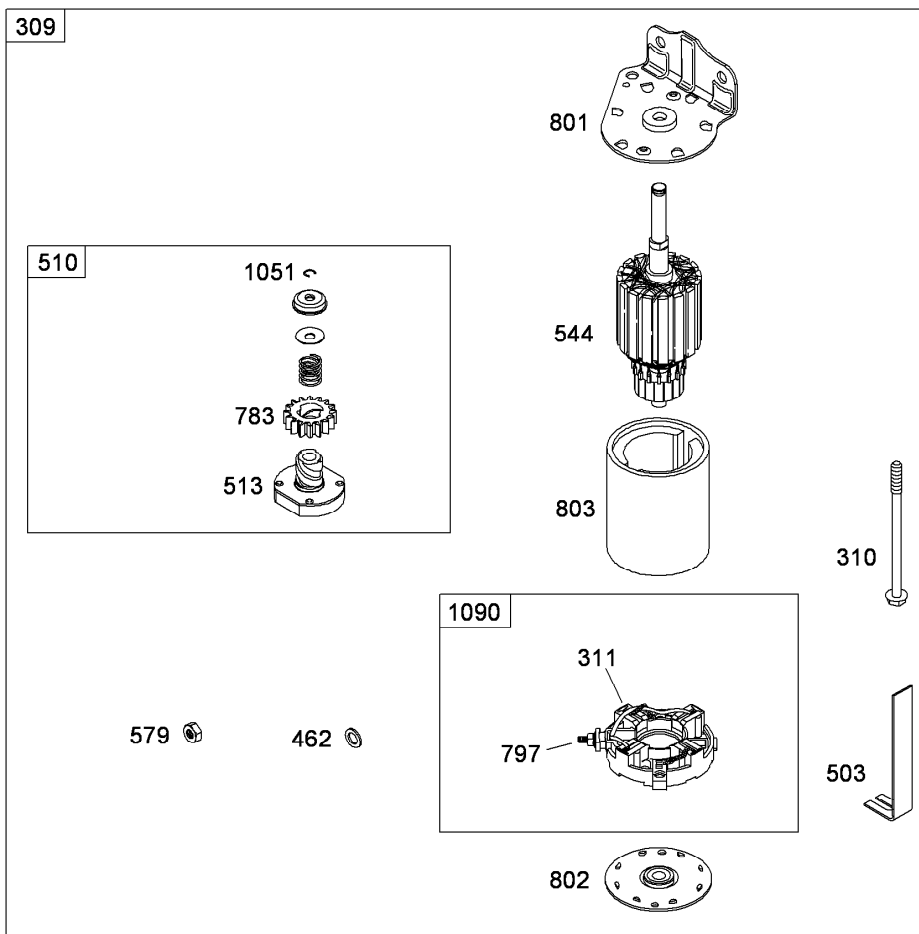
Assemblies include all parts shown in frames

Blower Housing Assembly Briggs and Stratton Model 31P777-0133-E1

Ref.	Part Number	Qty.	Description
23	693556	1	Flywheel ■
37	697352	1	Guard-Flywheel ■
73	794437	1	Screen-Rotating ■
74	697897	1	Screw (Rotating Screen) ■
78	691003	1	Screw (Flywheel Guard) ■
304	699829	1	Housing-Blower ■
305	697102	1	Screw (Blower Housing) ■
305A	793376	1	Screw (Blower Housing) ■
363	19203	1	Puller-Flywheel ■
415A	794129	1	Plug ■
445	698083	1	Filter-Cartridge, Air Cleaner ■
643	698401	1	Retainer-Filter, Air ■
783	693713	1	Gear-Pinion ■
823	698941	1	Screw (Muffler Adapter) ■
967	697015	1	Filter-Cleaner, Pre ■
968	699986	1	Cover-Air Cleaner ■
1005	794438	1	Fan-Flywheel ■
1036		1	Label-Emissions ■●
1040	699852	1	Plate-Trim ■
1044	698139	1	Screw (Crankshaft Extension) ■
1051	691265	1	Ring-Retaining ■
1070	690363	1	Screw (Flywheel Fan) ■
1267	697419	1	Latch-Housing, Blower ■

● Not serviced separately

■ Obtain parts from www.briggsandstratton.com



Assemblies include all parts shown in frames

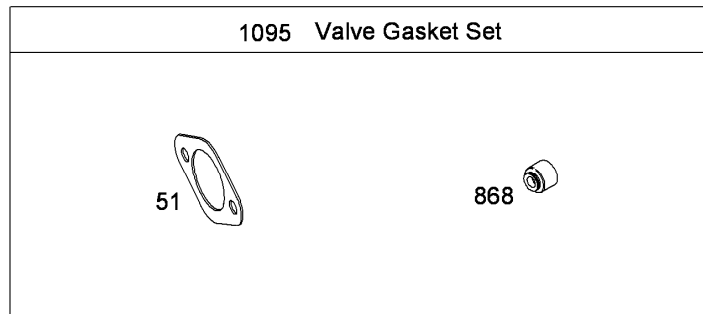
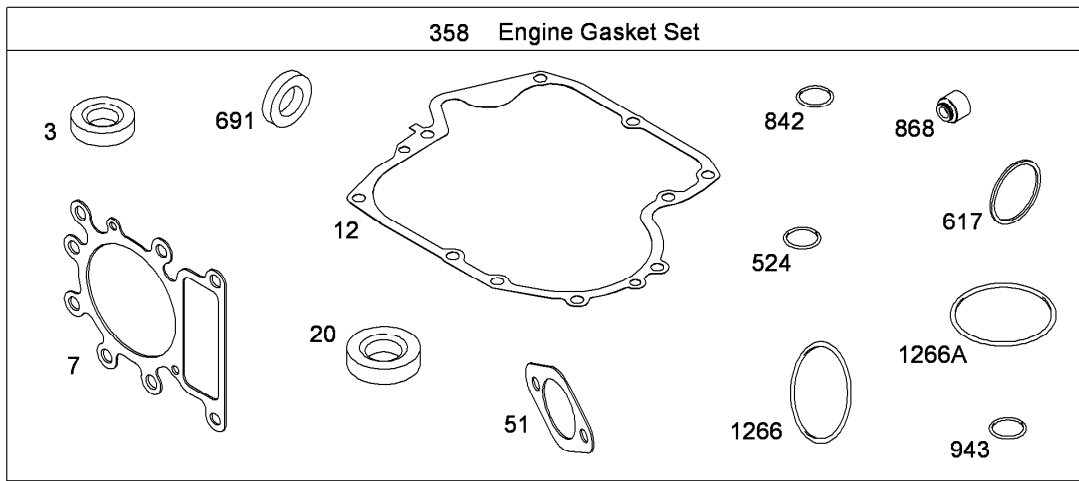
Starter Assembly

Briggs and Stratton Model 31P777-0133-E1

Ref.	Part Number	Qty.	Description
309	693551	1	Motor-Starter ■
310	690323	1	Bolt (Starter Motor) ■
311	497608	1	Brush Set ■
462	691261	1	Washer (Brush Retainer) ■
503	691532	1	Strap-Starter ■
510	693699	1	Drive-Starter ■
513	692024	1	Clutch-Drive ■
544		1	Armature-Starter (For Service Order 693551) ■●
579	691029	1	Nut (Brush Retainer) ■
697	690372	1	Screw (Drive Cap) ■
729	691224	1	Clip-Wire ■
783	693713	1	Gear-Pinion ■
797	693167	1	Nut (Brush Retainer) ■
801	691283	1	Cap-Drive ■
802	691286	1	Cap-End ■
803		1	Housing-Starter (For Service Order 693551) ■●
1051	691265	1	Ring-Retaining ■
1090	691293	1	Retainer-Brush ■

● Not serviced separately

■ Obtain parts from www.briggsandstratton.com



Assemblies include all parts shown in frames

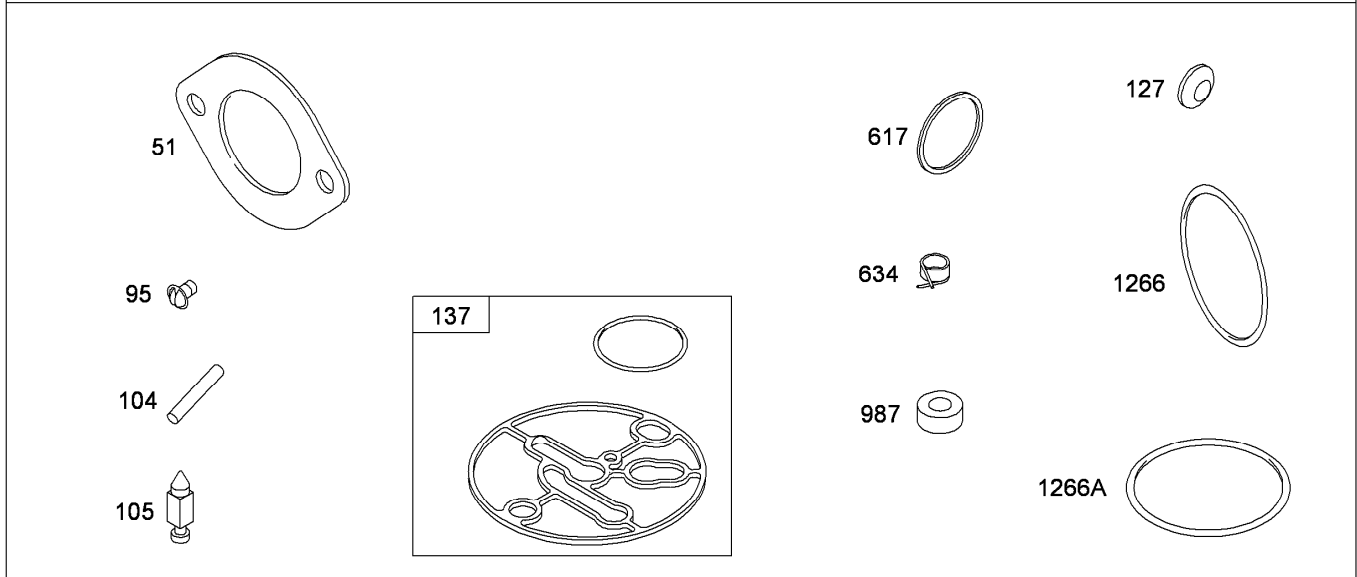
Gasket Set Briggs and Stratton Model 31P777-0133-E1

Ref.	Part Number	Qty.	Description
3	391086s	1	Seal-Oil (Magneto Side) ●■
7	699168	1	Gasket-Head, Cylinder ●■
12	697110	1	Gasket-Crankcase ●■
20	791892	1	Seal-Oil (PTO Side) ●■
51	692137	1	Gasket-Intake ●◆■▲
358	794150	1	Engine Gasket Set ●
524	691032	1	Seal-O Ring ●■
617	692138	1	Seal-O Ring (Intake Manifold) ●◆■
691	692407	1	Seal-Shaft, Governor ●■
842	691031	1	Seal-O Ring (Dipstick Tube) ●■
868	690968	1	Seal-Valve ●◆■
943	690589	1	Seal-O Ring (Oil Pump Cover) ●■
1095	691581	1	Valve Gasket Set ●
1266	691917	1	Seal-O Ring (Intake Elbow) ●◆■
1266A	697123	1	Seal-O Ring (Intake Elbow) ●◆■

● Obtain parts from www.briggsandstratton.com
▲ Included in Valve Gasket Set (Ref. No. 1095)

■ Included in Engine Gasket Set (Ref. No. 358)
◆ Included in Carburetor Overhaul Kit (Ref. No. 121)

121 Carburetor Overhaul Kit



Assemblies include all parts shown in frames

Carburetor Overhaul Kit (Nikki) Briggs and Stratton Model 31P777-0133-E1

Ref.	Part Number	Qty.	Description
51	692137	1	Gasket-Intake ●◆■▲
95	690718	1	Screw (Throttle Valve) ●□
104	694918	1	Pin-Hinge, Float ●□
105	696136	1	Valve-Float, Needle ●□
121	699521	1	Carburetor Overhaul Kit ●
127	690727	1	Plug-Welch ●□
137	698781	1	Gasket-Bowl, Float ●□
617	692138	1	Seal-O Ring (Intake Manifold) ●◆■
634	698779	1	Spring And Seal Asm ●□
987	698777	1	Seal-Shaft, Throttle ●□
1266	691917	1	Seal-O Ring (Intake Elbow) ●◆■
1266A	697123	1	Seal-O Ring (Intake Elbow) ●◆■

● Obtain parts from www.briggsandstratton.com

▲ Included in Valve Gasket Set (Ref. No. 1095)

□ Included in Carburetor Overhaul Kit (Ref. No. 121, 121A)

■ Included in Engine Gasket Set (Ref. No. 358)

◆ Included in Carburetor Overhaul Kit (Ref. No. 121)

Attachments and Accessories

For 74433 TimeCutter ZD420 Riding Mower

Product Name	Model/Part
Rework Kit, 74433 Serial #260000101-143	114-3610
Rework Kit, 74433 Serial #270000101-337	114-3612
Rear Deflector Kit	74435
48 Inch Snow Blade CE Completion Kit	74436

Notes:

Notes:



Count on it.