



Count on it.

Parts Catalog

**GeoLink® Precision Spray
System Finishing Kit**

**Serial Number 315000001 and After Multi
Pro® 1750 Turf Sprayer**

Model No. 41674—Serial No. 400000000 and Up



Ordering Replacement Parts

To order replacement parts, please supply the part number, the quantity, and the description of each part desired.

Understanding Reference Numbers

Each identified part in an illustration has a reference number. The reference number for a part also appears in the parts list, along with other information about the part.

This catalog uses two special reference number formats, one to indicate parts in a service assembly and another to indicate the quantity of a given part in an illustration.

Service Assembly Reference Numbers

Parts in service assemblies have reference numbers in the form a:b. The a represents the reference number of the entire service assembly and the b represents a sequential number unique to each part within the service assembly.

For example, a wheel assembly might be identified by reference number 6, the tire by 6:1, the valve by 6:2, and the wheel by 6:3. When you order the assembly identified by reference number 6, you receive all parts identified by reference numbers 6:1, 6:2, and 6:3. However, you may also order any part individually. Reference numbers of this type appear in illustration and in parts lists.

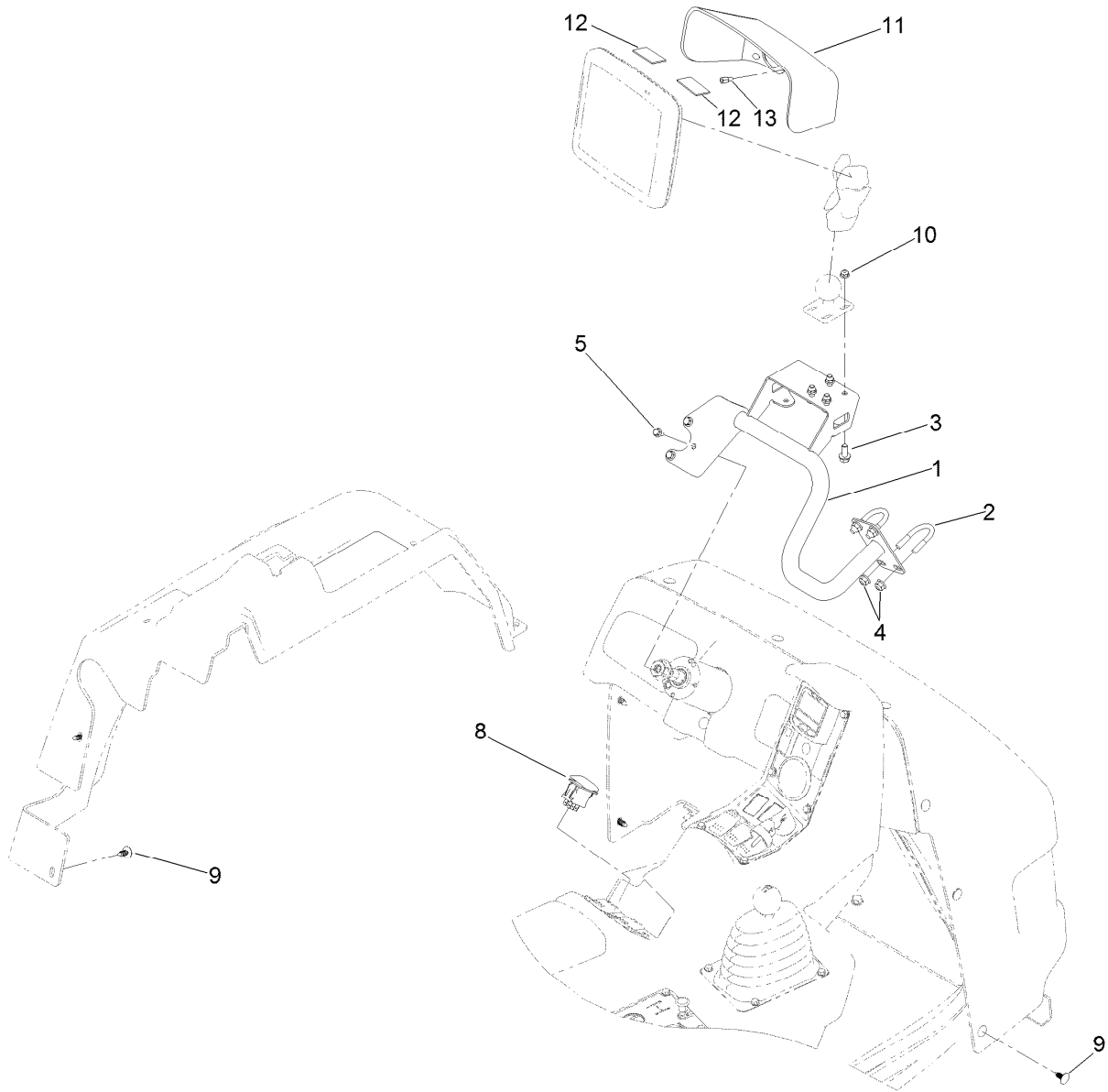
Reference Numbers Indicating Quantity

In an illustration, if a reference number indicates more than one part, the reference number has the form nX y. The n represents the quantity of the part, the X is the multiplication symbol, and the y represents the reference number.

For example, in an illustration, the reference number 2X 37 means that two of the parts identified by reference number 37 are indicated.

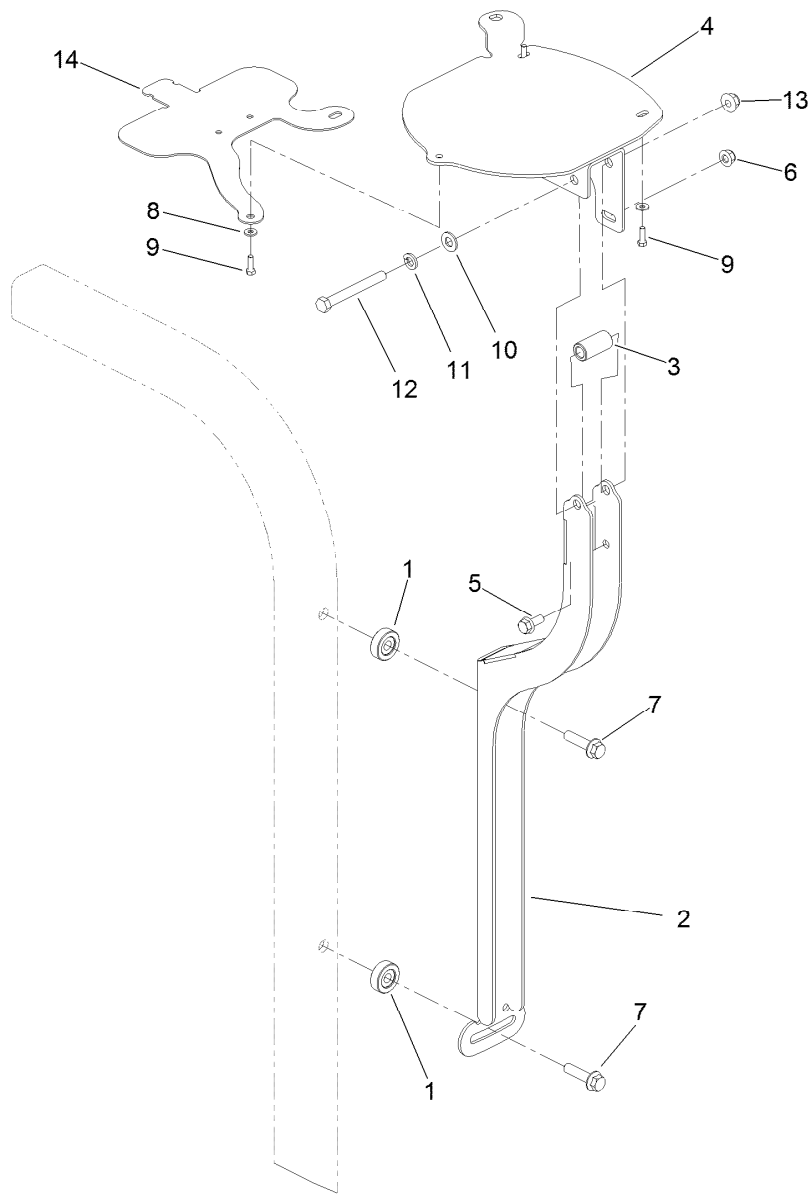
Contents

| | |
|---|----|
| Monitor Mount and Display Cover Assembly | 4 |
| Receiver Mount and Antenna Bracket Assembly | 5 |
| Flowmeter Mount and Hose Assembly | 6 |
| Hose Assembly No. 136-0467 | 7 |
| GPS Valve Mount and Hose Assembly | 8 |
| GPS Valve Mount Assembly | 9 |
| Section Valve Manifold Assembly | 10 |
| On/Off Manifold Valve Kit No. 127-9803 | 11 |
| Bypass Valve Assembly No. 127-9805 | 12 |
| Center Boom Assembly | 13 |
| Double Turret Body Assembly No. 108-3727 | 14 |
| Electrical Assembly | 15 |



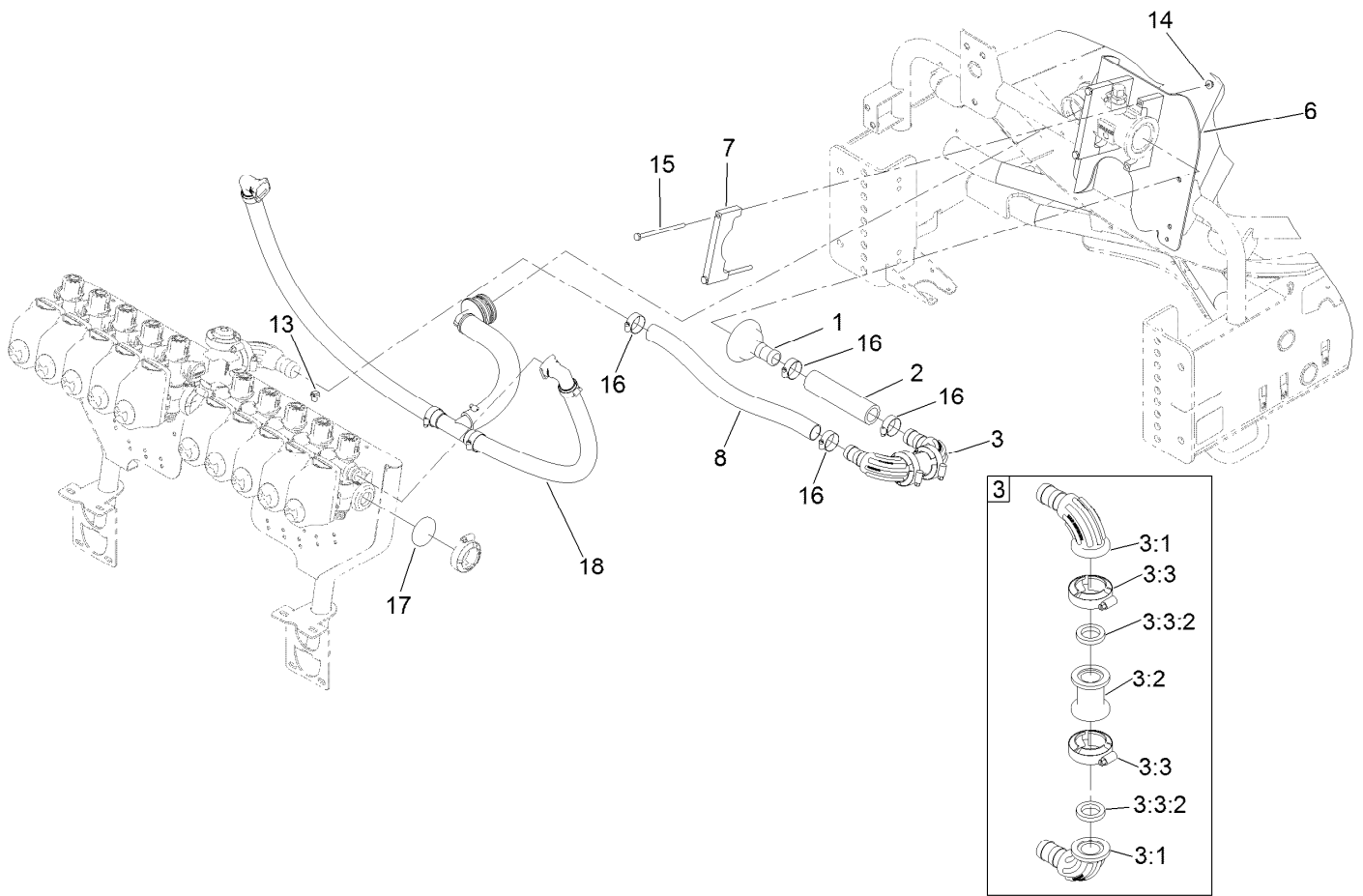
Monitor Mount and Display Cover Assembly

| <i>Ref.</i> | <i>Part Number</i> | <i>Qty.</i> | <i>Description</i> |
|-------------|--------------------|-------------|--------------------|
| 1 | 133-2844-03 | 1 | Mount-Monitor |
| 2 | 60-9350 | 2 | U-Bolt |
| 3 | 3234-5 | 4 | Screw-HHF |
| 4 | 104-8300 | 4 | Nut-HF, NI |
| 5 | 33103-012 | 3 | Screw-HHF |
| 8 | 99-7420 | 1 | Plug-Hole |
| 9 | 117-2382 | 14 | Plug-Plastic |
| 10 | 104-7201 | 4 | Nut-HF |
| 11 | 136-0453 | 1 | Cover-Display |
| 12 | 132-4328 | 2 | Strip-Adhesive |
| 13 | 131-3796 | 1 | Nut-Standoff |



Receiver Mount and Antenna Bracket Assembly

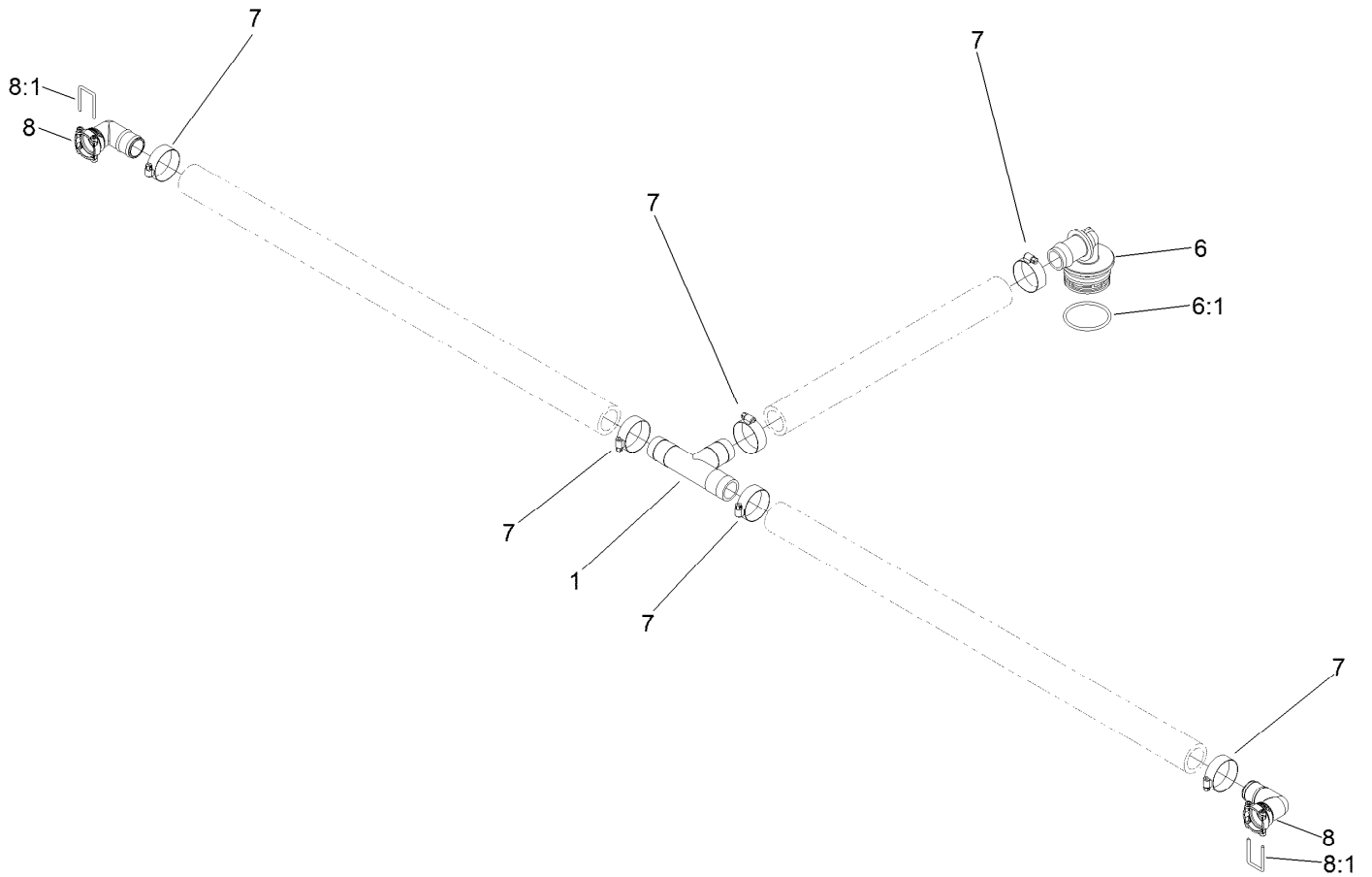
| <i>Ref.</i> | <i>Part Number</i> | <i>Qty.</i> | <i>Description</i> |
|-------------|--------------------|-------------|------------------------|
| 1 | 133-2896 | 2 | Spacer-Standoff |
| 2 | 133-2891-03 | 1 | Mount-Receiver |
| 3 | 110-3726 | 1 | Spacer |
| 4 | 133-2895-03 | 1 | Plate-Receiver |
| 5 | 3234-47 | 1 | Screw-HHF |
| 6 | 104-8300 | 1 | Nut-HF, NI |
| 7 | 114-4681 | 2 | Screw-HHF |
| 8 | 3256-14 | 3 | Washer-Flat |
| 9 | 60-6910 | 3 | Screw-HH |
| 10 | 3256-24 | 1 | Washer-Flat |
| 11 | 3253-21 | 1 | Washer-Lock |
| 12 | 323-20 | 1 | Screw-HH |
| 13 | 104-8301 | 1 | Nut-HF, NI |
| 14 | 140-1388-03 | 1 | Bracket-Mount, Antenna |



Flowmeter Mount and Hose Assembly

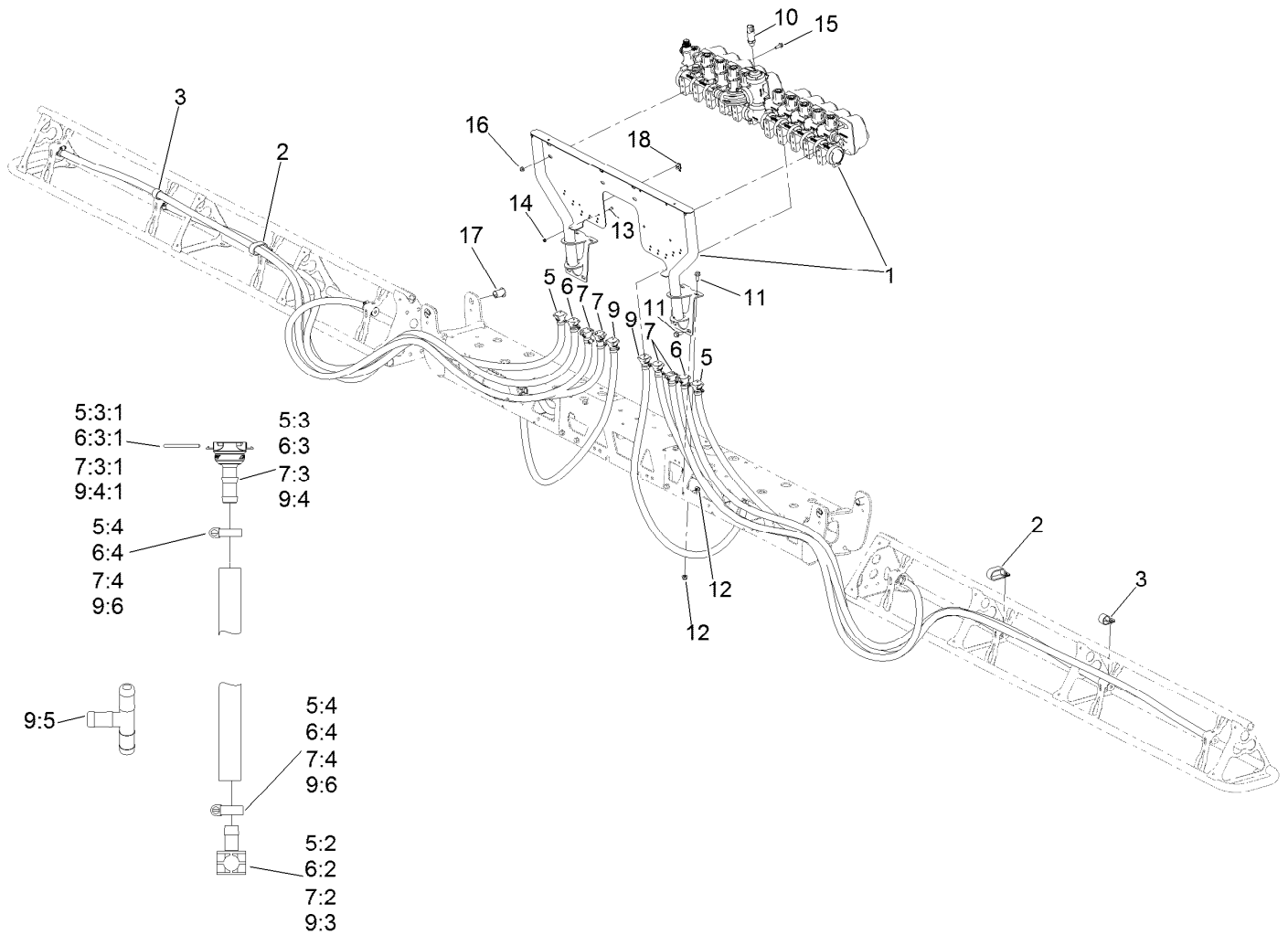
| Ref. | Part Number | Qty. | Description | Ref. | Part Number | Qty. | Description |
|-------|-------------|------|----------------------|------|-------------|------|----------------------------|
| 1 | 107-8704 | 1 | Hosebarb | 13 | 32180-030 | 1 | Clip-Tie |
| 2 | 133-2774 | 1 | Hose-Supply | 14 | 104-7201 | 4 | Nut-HF |
| 3 | 138-0646 | 1 | Manifold-Connection | 15 | 321-38 | 4 | Screw-HH |
| 3:1 | 131-0241 | 2 | Fitting-Elbow, Sweep | 16 | 2412-34 | 4 | Clamp-Hose |
| 3:2 | 127-9814 | 1 | Fitting-Adapter | 17 | 127-9815 | 1 | Fitting-Cap |
| 3:3 | 127-9829 | 2 | Clamp/Gasket Kit | 18 | 136-0467 | 1 | Hose Assembly |
| 3:3:2 | 127-1145 | 1 | Gasket-Flange | 99 | 127-9811 | 1 | Fitting-Cap, Female ● |
| 6 | 133-2818-03 | 1 | Mount-Flowmeter | 99 | 131-5838 | 1 | Shutoff Bypass Valve ASM ● |
| 7 | 132-7605 | 4 | Clamp-Flowmeter | 99:1 | 133-0398 | 1 | Pin-Fork ● |
| 8 | 132-4311 | 1 | Hose-Agitation | | | | |

● Not illustrated



Hose Assembly No. 136-0467

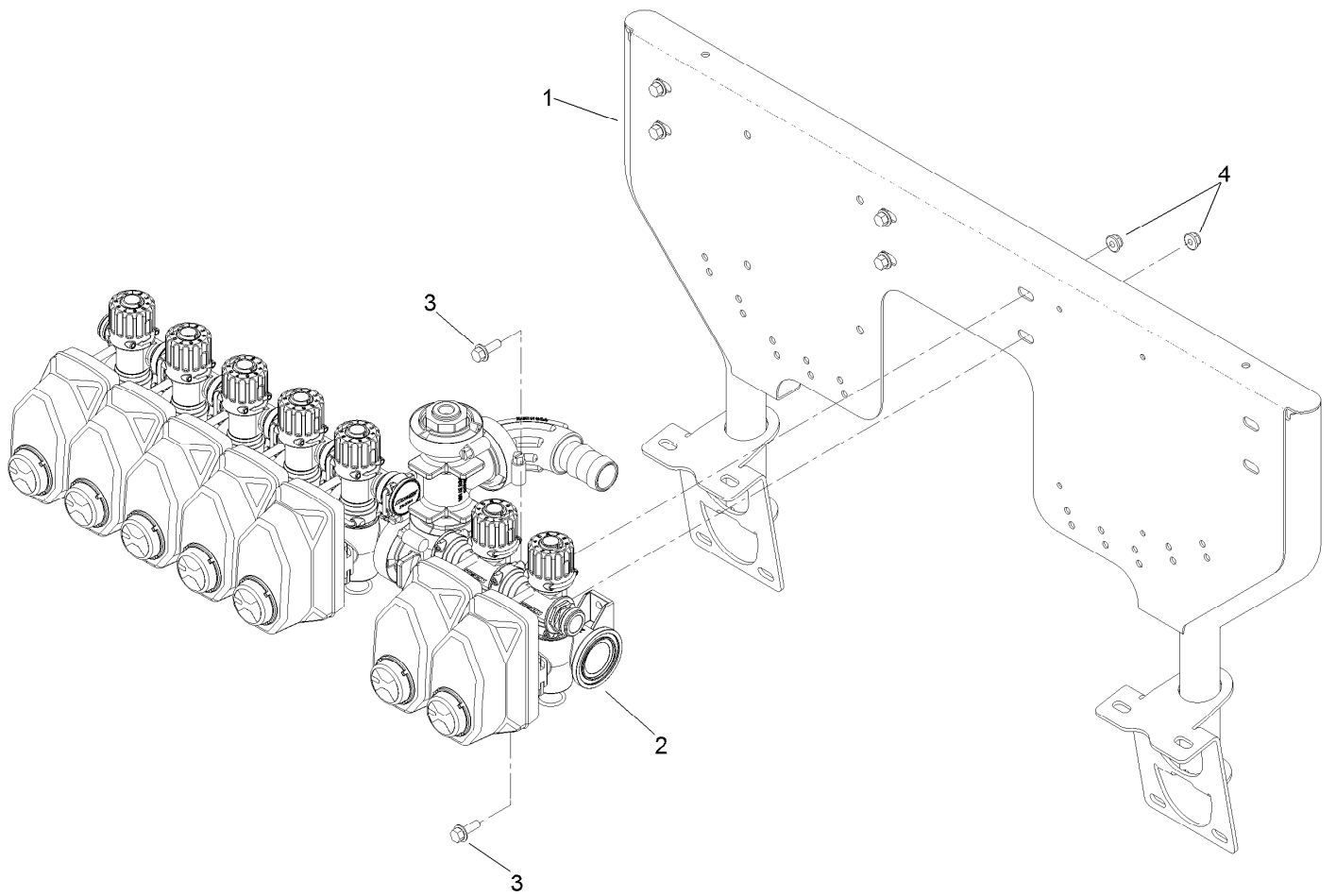
| <i>Ref.</i> | <i>Part Number</i> | <i>Qty.</i> | <i>Description</i> |
|-------------|--------------------|-------------|-------------------------|
| 1 | 117-7866 | 1 | Tee-Hosebarb |
| 6 | 106-4933 | 1 | Hosebarb ASM |
| 6:1 | 100-8637 | 1 | O-Ring |
| 7 | 2412-34 | 6 | Clamp-Hose |
| 8 | 131-0213 | 2 | 90 DEG Barb Fitting Kit |
| 8:1 | 133-0398 | 1 | Pin-Fork |



GPS Valve Mount and Hose Assembly

| Ref. | Part Number | Qty. | Description | Ref. | Part Number | Qty. | Description |
|-------|-------------|------|-------------------------------|-------|-------------|------|-------------------------------|
| 1 | | 1 | GPS Valve Mount ASM ● | 7:4 | 2412-36 | 2 | Clamp-Hose |
| 2 | 2412-137 | 2 | Clamp-R, Double | 9 | 131-7292 | 2 | Hose Nozzle ASM |
| 3 | 2412-39 | 2 | Clamp-R | 9:3 | 130-7265 | 2 | Shank-Nozzle, Single |
| 5 | 131-7288 | 2 | Hose Nozzle ASM | 9:4 | 139-3088 | 1 | Kit-Fitting, Qc 1/2" STR Barb |
| 5:2 | 130-7265 | 1 | Shank-Nozzle, Single | 9:4:1 | 133-0398 | 1 | Pin-Fork |
| 5:3 | 139-3088 | 1 | Kit-Fitting, Qc 1/2" STR Barb | 9:5 | 131-3736 | 1 | Fitting-Tee, Barb |
| 5:3:1 | 133-0398 | 1 | Pin-Fork | 9:6 | 2412-36 | 6 | Clamp-Hose |
| 5:4 | 2412-36 | 2 | Clamp-Hose | 10 | 130-8202 | 1 | Transducer-Pressure |
| 6 | 131-7289 | 2 | Hose Nozzle ASM | 11 | 3234-47 | 8 | Screw-HHF |
| 6:2 | 130-7265 | 1 | Shank-Nozzle, Single | 12 | 104-8300 | 8 | Nut-HF, NI |
| 6:3 | 139-3088 | 1 | Kit-Fitting, Qc 1/2" STR Barb | 13 | 60-6500 | 3 | Screw-HH |
| 6:3:1 | 133-0398 | 1 | Pin-Fork | 14 | 127-2018 | 3 | Nut-HHF |
| 6:4 | 2412-36 | 2 | Clamp-Hose | 15 | 3234-4 | 2 | Screw-HHF |
| 7 | 131-7290 | 4 | Hose Nozzle ASM | 16 | 104-7201 | 2 | Nut-HF |
| 7:2 | 130-7265 | 1 | Shank-Nozzle, Single | 17 | 100-8541 | 4 | Bushing-A Arm |
| 7:3 | 139-3088 | 1 | Kit-Fitting, Qc 1/2" STR Barb | 18 | 32180-161 | 3 | Clip-Connector |
| 7:3:1 | 133-0398 | 1 | Pin-Fork | | | | |

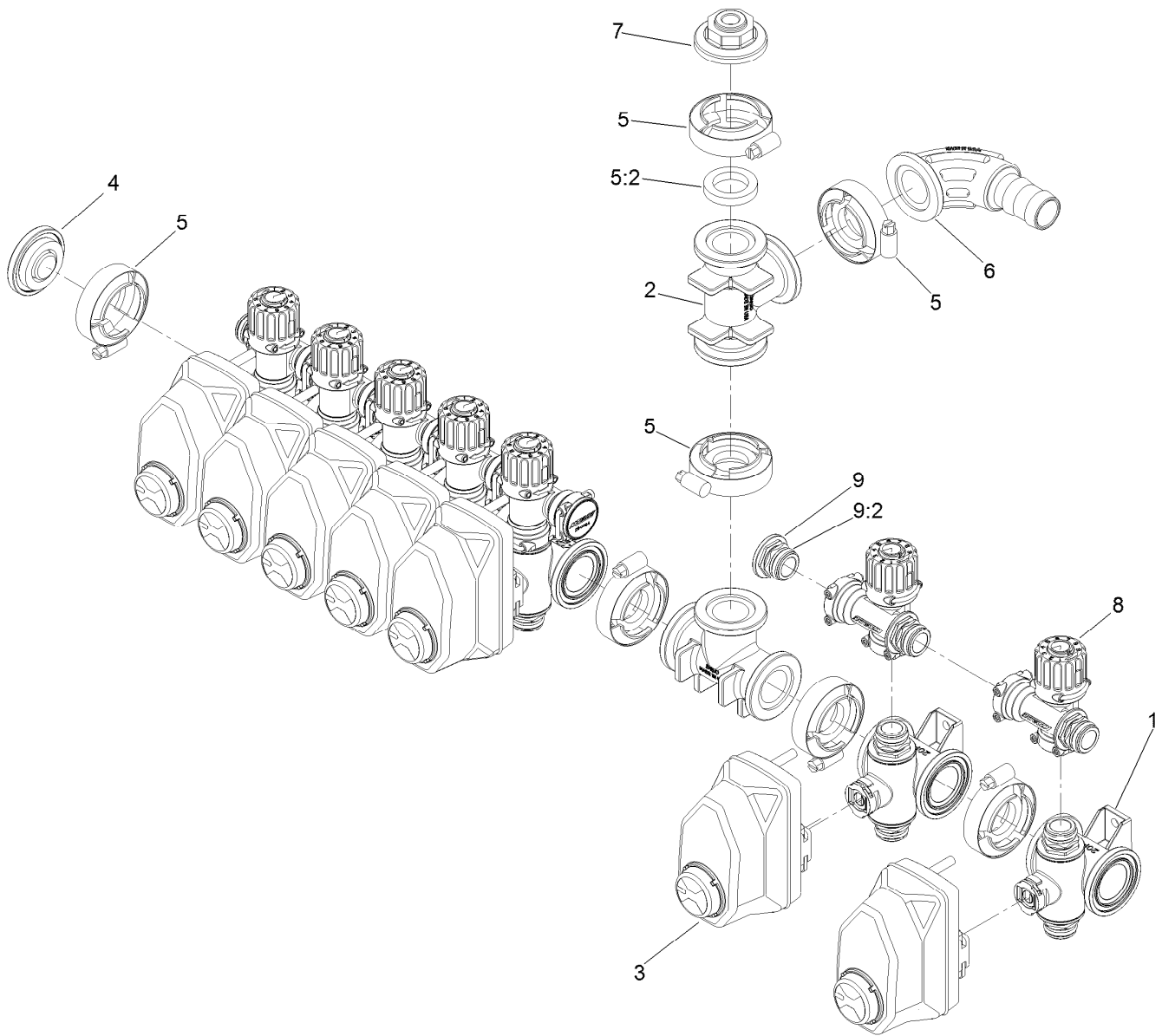
● Not serviced separately



GPS Valve Mount Assembly

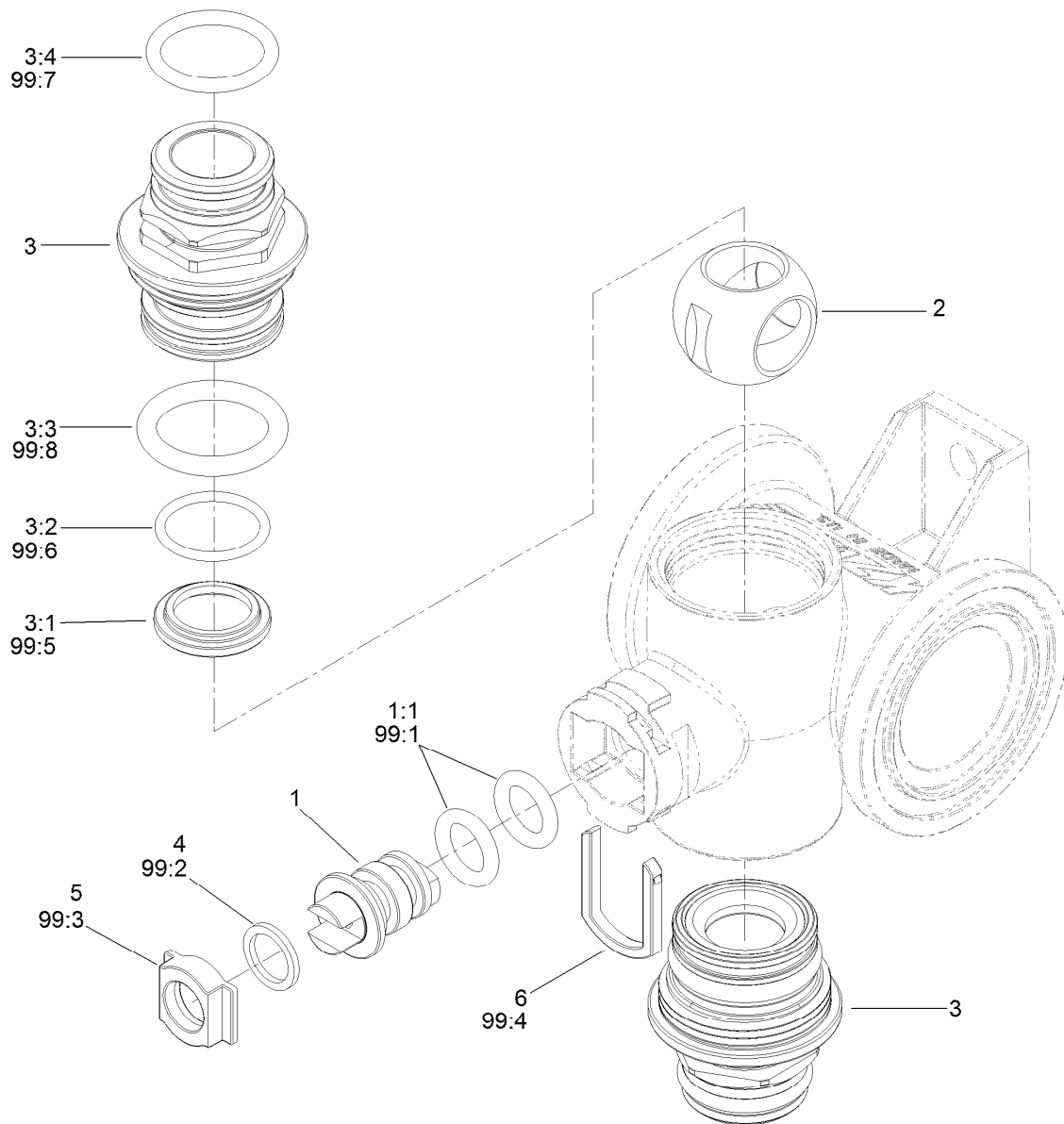
| <i>Ref.</i> | <i>Part Number</i> | <i>Qty.</i> | <i>Description</i> |
|-------------|--------------------|-------------|-----------------------------|
| 1 | 131-3753-03 | 1 | Mount-Valve, GPS |
| 2 | | 1 | Manifold-Valves, Sections ● |
| 3 | 3234-4 | 6 | Screw-HHF |
| 4 | 104-7201 | 6 | Nut-HF |

● Not serviced separately



Section Valve Manifold Assembly

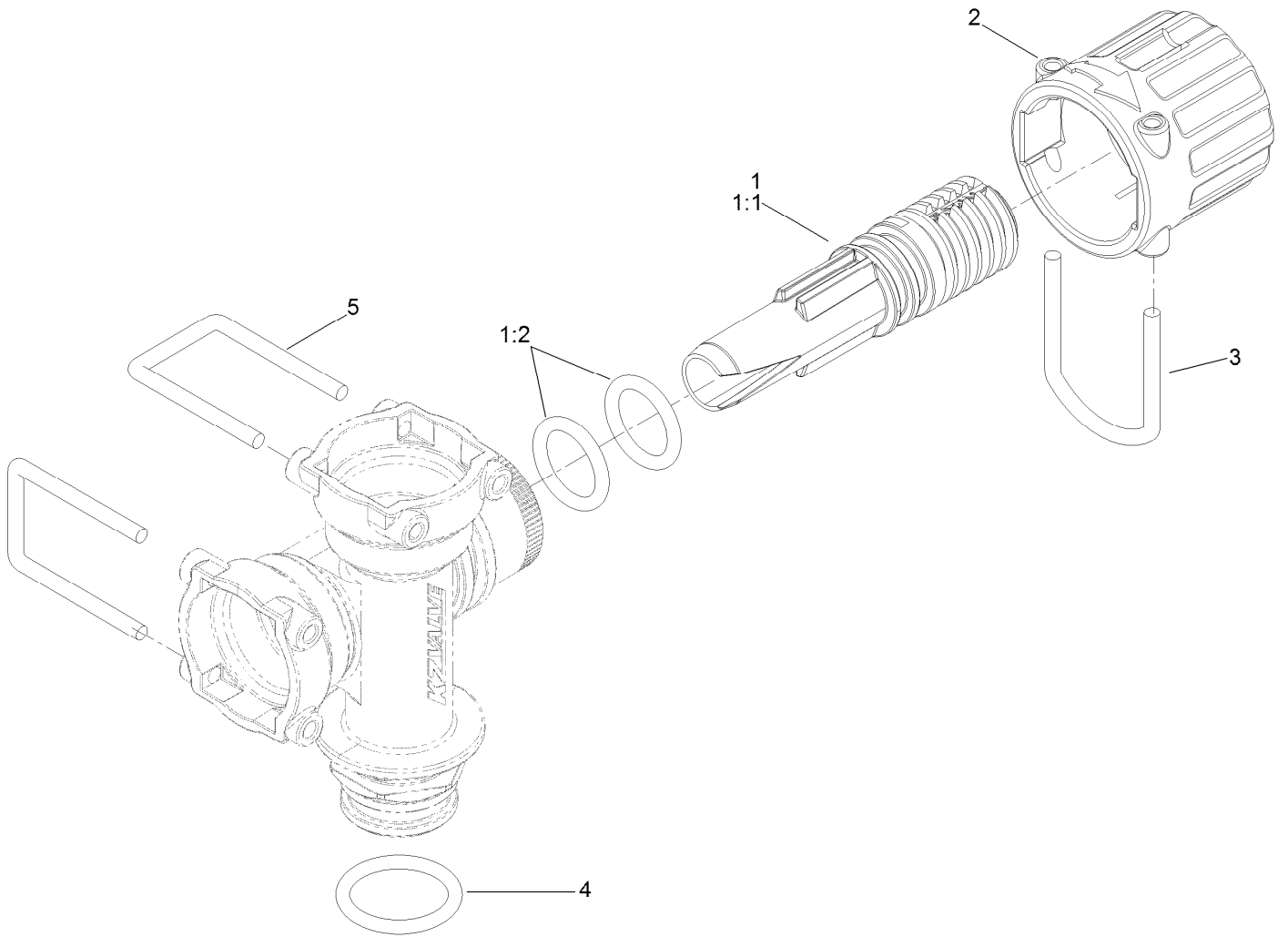
| <i>Ref.</i> | <i>Part Number</i> | <i>Qty.</i> | <i>Description</i> |
|-------------|--------------------|-------------|---------------------------|
| 1 | 127-9803 | 7 | On/Off Manifold Valve Kit |
| 2 | 127-9834 | 2 | Fitting-Tee |
| 3 | 131-3723 | 7 | Actuator On/Off Kit |
| 4 | 127-9815 | 1 | Fitting-Cap |
| 5 | 127-9829 | 11 | Clamp/Gasket Kit |
| 5:2 | 127-1145 | 1 | Gasket-Flange |
| 6 | 131-0241 | 1 | Fitting-Elbow, Sweep |
| 7 | 127-1185 | 1 | Fitting-Cap, Port |
| 8 | 127-9805 | 7 | Bypass Valve ASM |
| 9 | 127-9810 | 2 | Male Cap Fitting Kit |
| 9:2 | 127-1187 | 1 | O-Ring, Endcap |



On/Off Manifold Valve Kit No. 127-9803

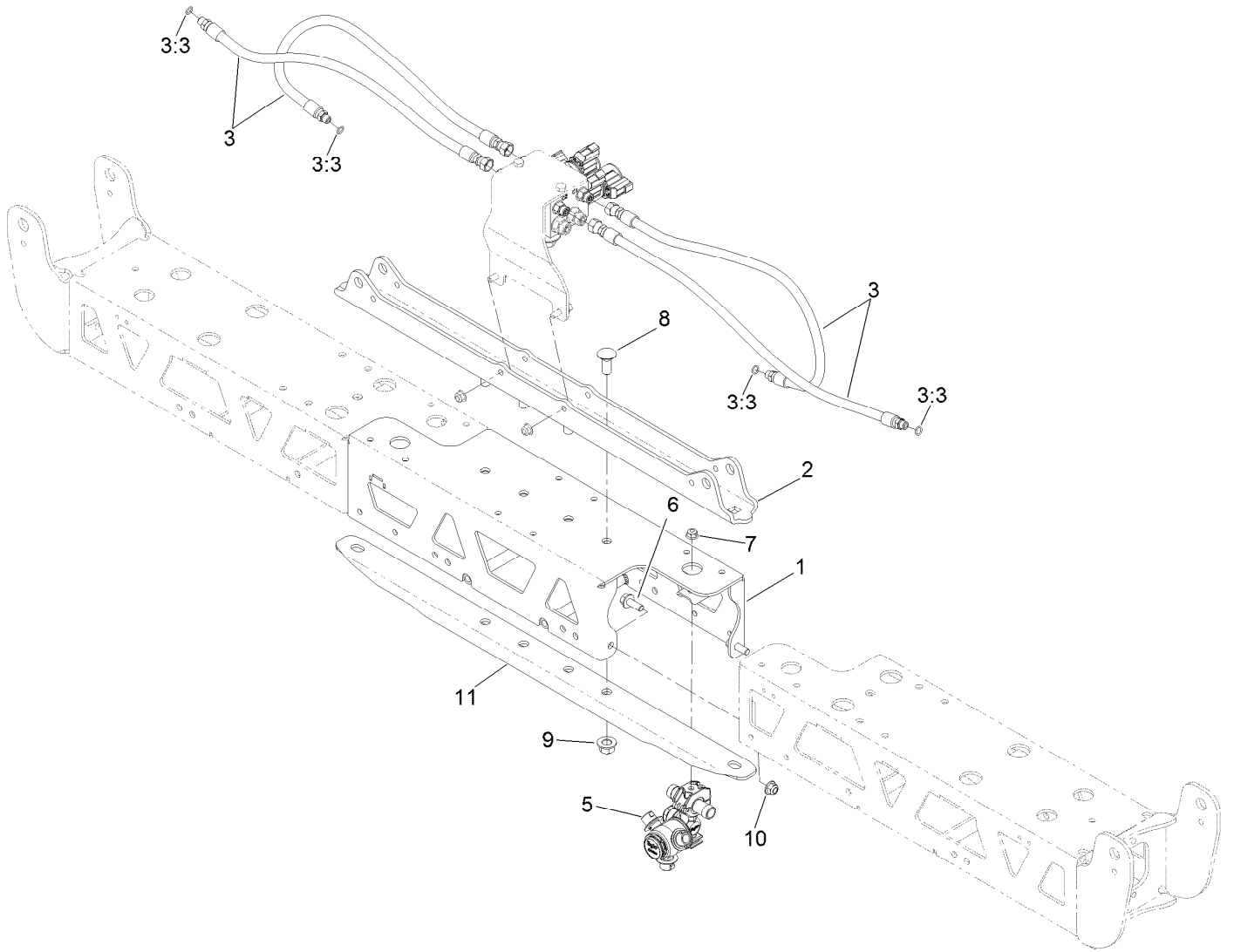
| <i>Ref.</i> | <i>Part Number</i> | <i>Qty.</i> | <i>Description</i> | <i>Ref.</i> | <i>Part Number</i> | <i>Qty.</i> | <i>Description</i> |
|-------------|--------------------|-------------|---------------------|-------------|--------------------|-------------|---------------------|
| 1 | 130-8248 | 1 | Valve Stem Kit | 6 | 127-1190 | 1 | Fork-Stem, Valve |
| 1:1 | 127-1197 | 2 | O-Ring-Stem | 99 | 130-7304 | 1 | Valve Repair Kit ● |
| 2 | 127-1194 | 1 | Ball-Valve, 3Way | 99:1 | 127-1197 | 2 | O-Ring-Stem |
| 3 | 130-7317 | 2 | Endcap Kit | 99:2 | 127-1196 | 2 | Washer-Stem, Valve |
| 3:1 | 127-1192 | 1 | Seat-Ball | 99:3 | 127-1195 | 1 | Seat-Stem, Valve |
| 3:2 | 127-1188 | 1 | O-Ring, Seat (Ball) | 99:4 | 127-1190 | 1 | Fork-Stem, Valve |
| 3:3 | 127-1189 | 1 | O-Ring, Endcap | 99:5 | 127-1192 | 2 | Seat-Ball |
| 3:4 | 127-1187 | 1 | O-Ring, Endcap | 99:6 | 127-1188 | 2 | O-Ring, Seat (Ball) |
| 4 | 127-1196 | 1 | Washer-Stem, Valve | 99:7 | 127-1187 | 2 | O-Ring, Endcap |
| 5 | 127-1195 | 1 | Seat-Stem, Valve | 99:8 | 127-1189 | 2 | O-Ring, Endcap |

● Not illustrated



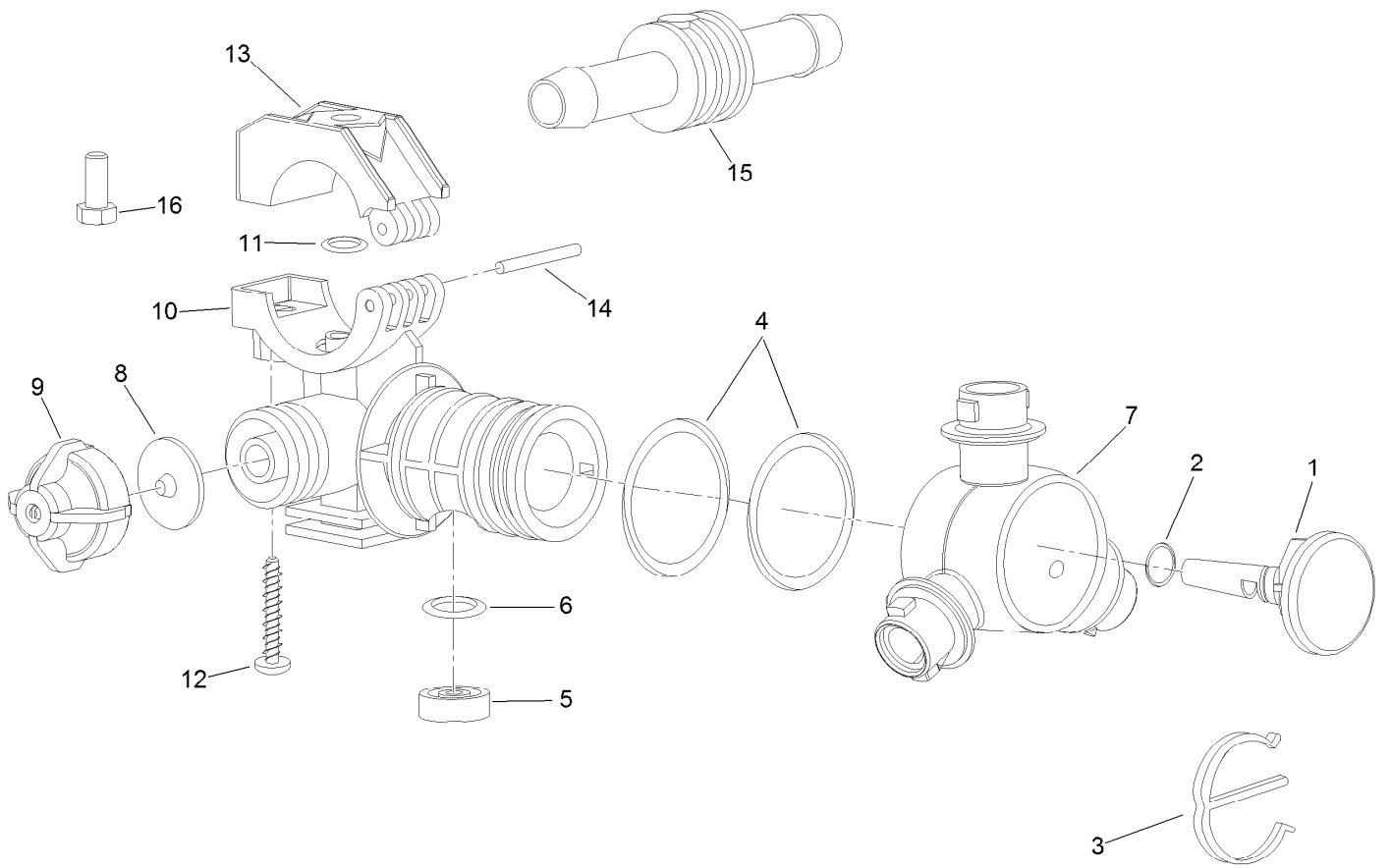
Bypass Valve Assembly No. 127-9805

| <i>Ref.</i> | <i>Part Number</i> | <i>Qty.</i> | <i>Description</i> |
|-------------|--------------------|-------------|---------------------|
| 1 | 131-0298 | 1 | Bypass Needle Kit |
| 1:1 | 127-1182 | 1 | Needle-Bypass |
| 1:2 | 127-1181 | 2 | Oring-Bypass Needle |
| 2 | 127-1180 | 1 | Knob-Bypass |
| 3 | 127-1179 | 1 | Fork-Bypass Knob |
| 4 | 127-1187 | 1 | O-Ring, Endcap |
| 5 | 133-0398 | 2 | Pin-Fork |



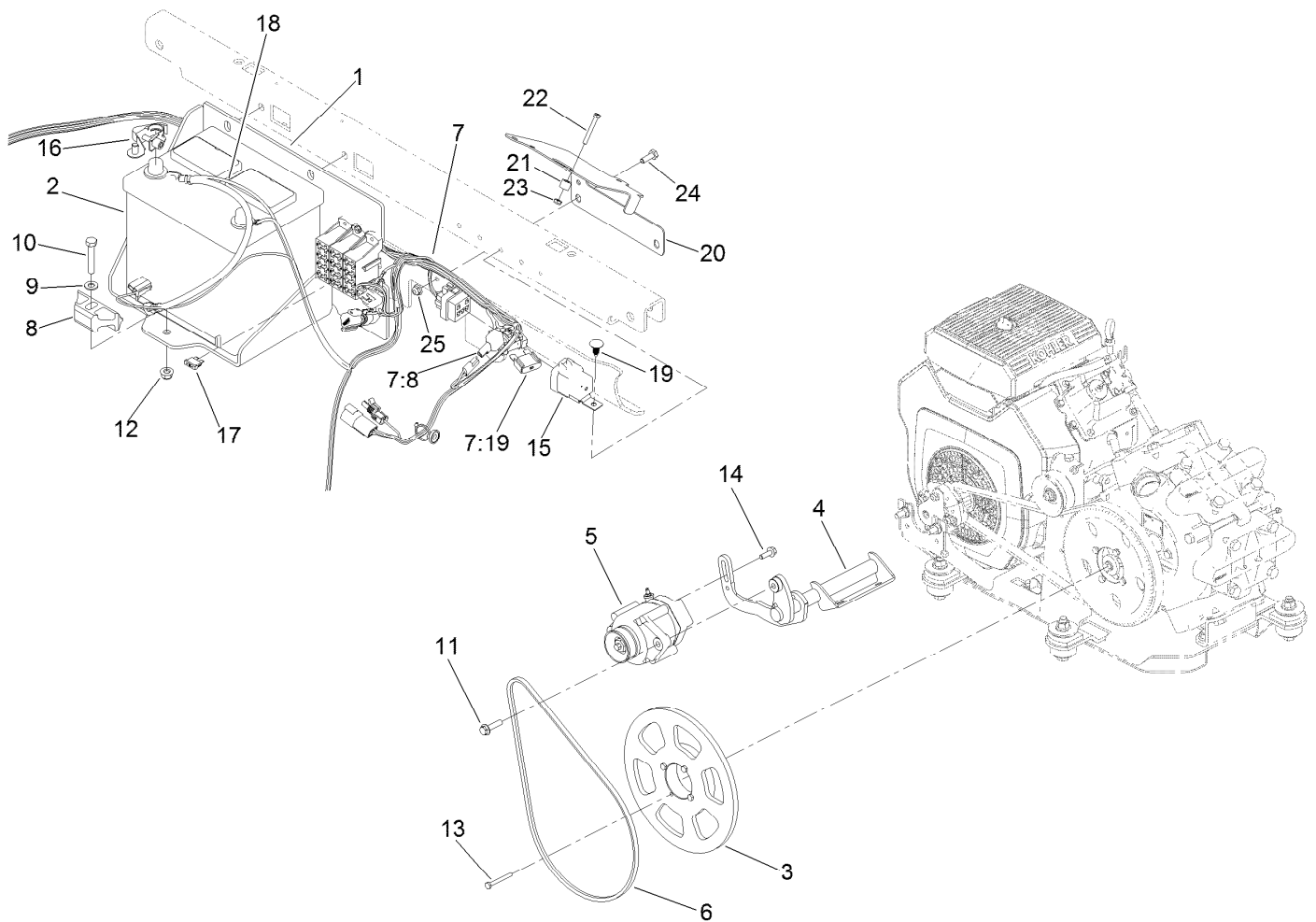
Center Boom Assembly

| <i>Ref.</i> | <i>Part Number</i> | <i>Qty.</i> | <i>Description</i> |
|-------------|--------------------|-------------|------------------------|
| 1 | 133-0412-03 | 1 | Center-Center, Boom |
| 2 | 131-0275-03 | 1 | Plate-Mount |
| 3 | 131-0276 | 4 | Hose ASM |
| 3:3 | 237-78 | 1 | O-Ring |
| 5 | 108-3727 | 1 | Double Turret Body ASM |
| 6 | 3234-42 | 4 | Screw-HHF |
| 7 | 104-8300 | 1 | Nut-HF, NI |
| 8 | 110-5067 | 4 | Screw-CARR |
| 9 | 99-5107 | 4 | Nut-Lock |
| 10 | 104-8301 | 4 | Nut-HF, NI |
| 11 | 131-0285-03 | 1 | Stiffener-Channel |



Double Turret Body Assembly No. 108-3727

| <i>Ref.</i> | <i>Part Number</i> | <i>Qty.</i> | <i>Description</i> | <i>Ref.</i> | <i>Part Number</i> | <i>Qty.</i> | <i>Description</i> |
|-------------|--------------------|-------------|--------------------|-------------|--------------------|-------------|--------------------|
| 1 | 95-9200 | 1 | Plug | 9 | 95-9193 | 1 | Cap-Diaphragm |
| 2 | 95-9198 | 1 | O-Ring | 10 | 95-9192 | 1 | Body-Split Eyelet |
| 3 | 95-9197 | 1 | E-Clip | 11 | 95-9191 | 1 | O-Ring |
| 4 | 95-9199 | 2 | O-Ring | 12 | 99-0811 | 1 | Screw-Clamp |
| 5 | 108-3264 | 1 | Seal-Viton | 13 | 99-0812 | 1 | Clamp-Upper |
| 6 | 108-3265 | 1 | O-Ring-Viton | 14 | 99-0814 | 1 | Pin-Pivot |
| 7 | 95-9196 | 1 | Turret | 15 | 95-9202 | 1 | Shank-Hose |
| 8 | 41003 | 1 | Diaphragm | 16 | 322-3 | 1 | Screw-HH |



Electrical Assembly

| <i>Ref.</i> | <i>Part Number</i> | <i>Qty.</i> | <i>Description</i> | <i>Ref.</i> | <i>Part Number</i> | <i>Qty.</i> | <i>Description</i> |
|-------------|--------------------|-------------|--------------------|-------------|--------------------|-------------|-------------------------|
| 1 | 136-2264-03 | 1 | Bracket-Battery | 13 | 100-5858 | 4 | Screw-HH |
| 2 | 106-5187 | 1 | Battery-Dry | 14 | 33104-025 | 1 | Screw-HHF |
| 3 | 133-2804 | 1 | Pulley | 15 | 99-7430 | 1 | Relay-Mini |
| 4 | 136-0483-03 | 1 | Mount-Alternator | 16 | 119-9674 | 1 | Terminal-Clamp, Quick |
| 5 | 133-2851 | 1 | Alternator | 17 | 109355 | 1 | Fuse-Blade, 15 Amp |
| 6 | 133-2763 | 1 | Belt-Alternator | 18 | 122-0838 | 1 | Cable-Battery, Positive |
| 7 | 122-0794 | 1 | Harness-Wire | 19 | 117-2382 | 1 | Plug-Plastic |
| 7:8 | 100-4918 | 1 | Diode | 20 | 140-1394-03 | 1 | Bracket-Modem |
| 7:19 | 94-8002 | 1 | Fuse-Blade, 50 Amp | 21 | 138-9250 | 2 | Spacer |
| 8 | 138-6335 | 1 | Retainer-Battery | 22 | 32105-5 | 2 | Screw |
| 9 | 3256-23 | 1 | Washer-Plain | 23 | 3296-27 | 2 | Nut-Lock, NI |
| 10 | 322-9 | 1 | Screw-HH | 24 | 321-4 | 1 | Screw-HH |
| 11 | 3234-18 | 1 | Screw-HHF | 25 | 104-7201 | 1 | Nut-HF |
| 12 | 104-8300 | 1 | Nut-HF, NI | | | | |



Count on it.