



Count on it.

Parts Catalog

Pro Force®

Debris Blower

Model No. 44553—Serial No. 405700000 and Up



Ordering Replacement Parts

To order replacement parts, please supply the part number, the quantity, and the description of each part desired.

Understanding Reference Numbers

Each identified part in an illustration has a reference number. The reference number for a part also appears in the parts list, along with other information about the part.

This catalog uses two special reference number formats, one to indicate parts in a service assembly and another to indicate the quantity of a given part in an illustration.

Service Assembly Reference Numbers

Parts in service assemblies have reference numbers in the form a:b. The a represents the reference number of the entire service assembly and the b represents a sequential number unique to each part within the service assembly.

For example, a wheel assembly might be identified by reference number 6, the tire by 6:1, the valve by 6:2, and the wheel by 6:3. When you order the assembly identified by reference number 6, you receive all parts identified by reference numbers 6:1, 6:2, and 6:3. However, you may also order any part individually. Reference numbers of this type appear in illustration and in parts lists.

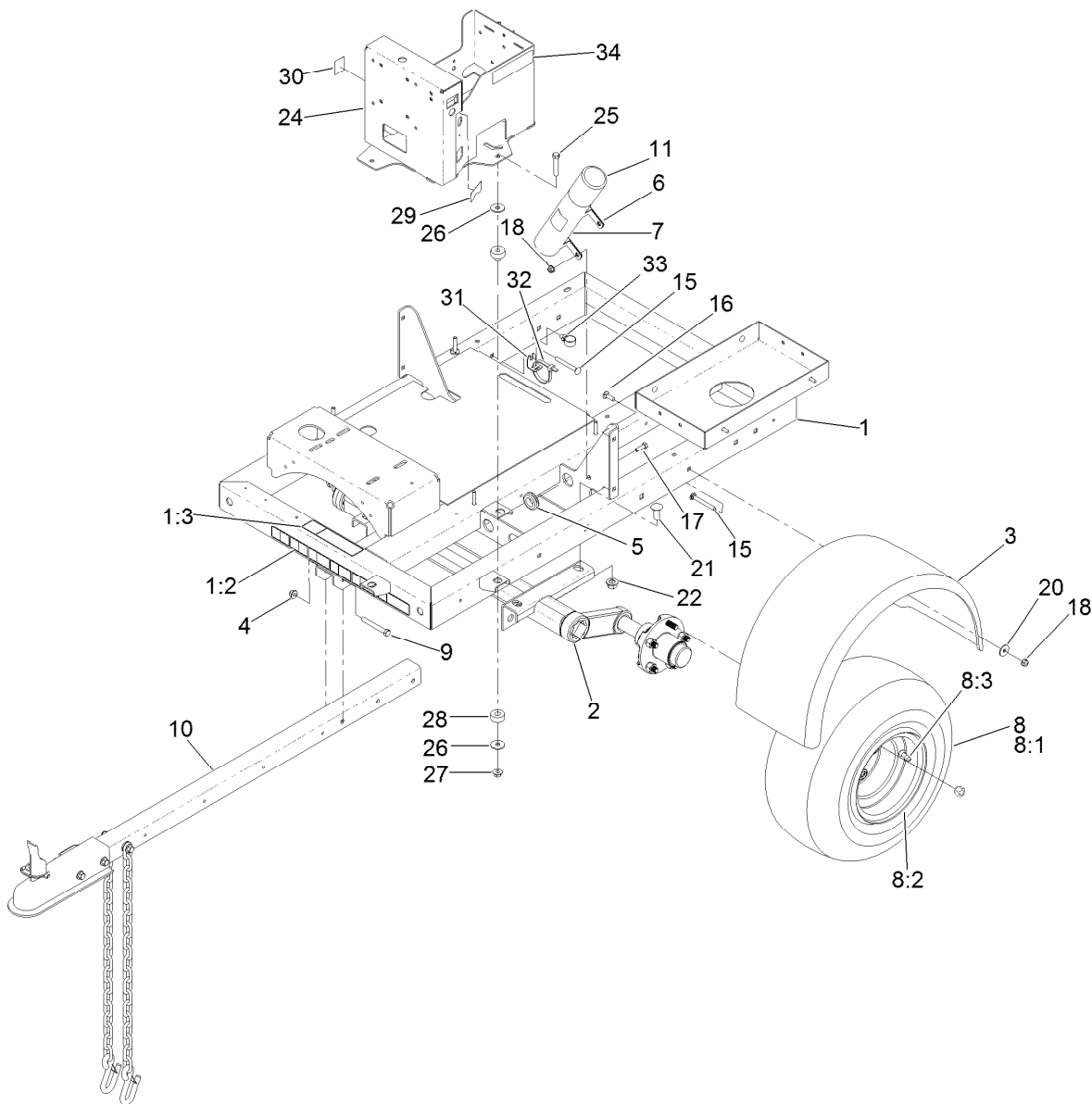
Reference Numbers Indicating Quantity

In an illustration, if a reference number indicates more than one part, the reference number has the form nX y. The n represents the quantity of the part, the X is the multiplication symbol, and the y represents the reference number.

For example, in an illustration, the reference number 2X 37 means that two of the parts identified by reference number 37 are indicated.

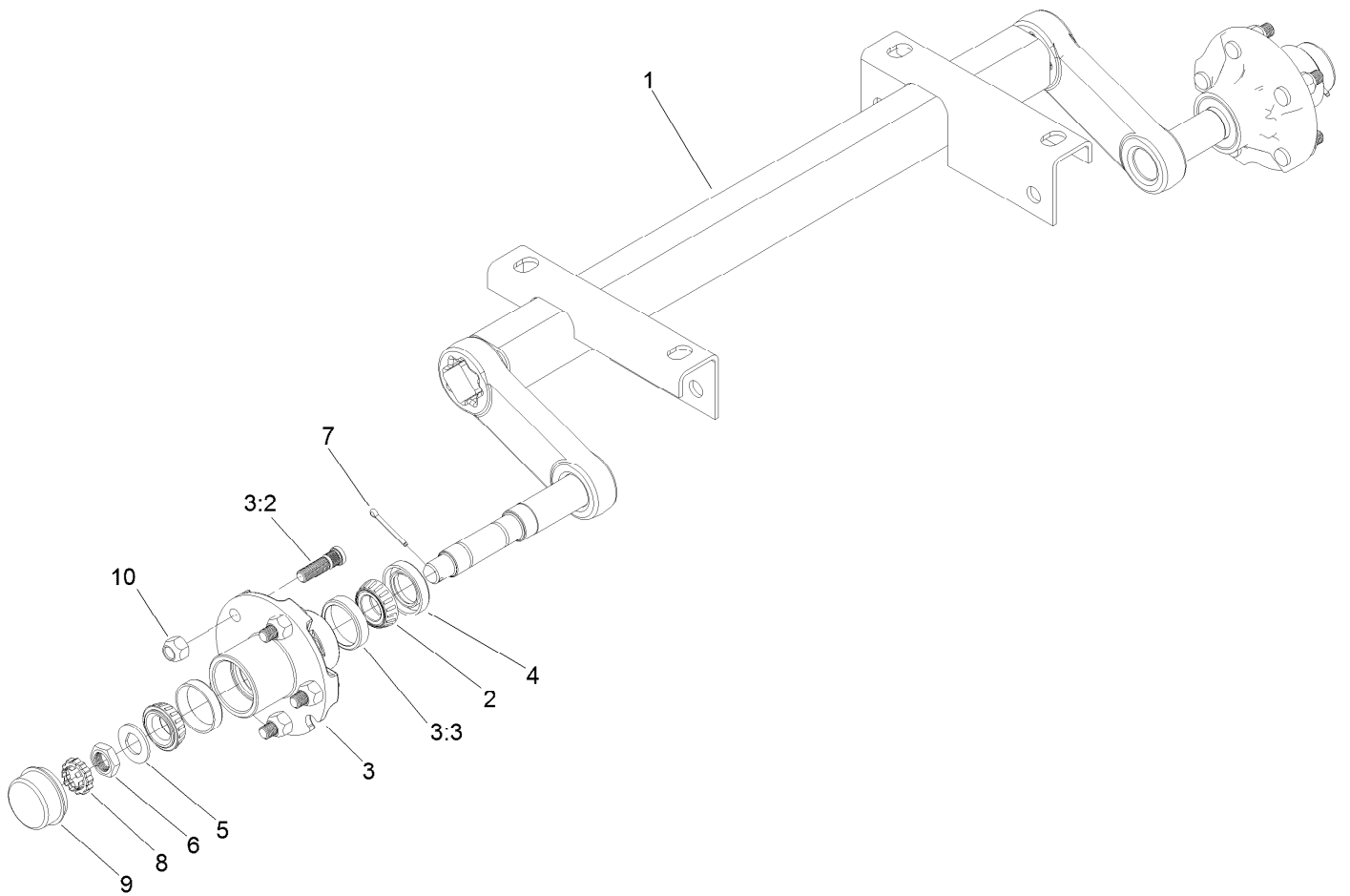
Contents

| | |
|---|----|
| Frame Assembly..... | 4 |
| Axle Assembly No. 119-2966..... | 5 |
| Hitch Assembly No. 119-3005..... | 6 |
| Turbine Mounting Assembly..... | 7 |
| Turbine Assembly No. 125-4260..... | 8 |
| Nozzle Drive Assembly..... | 9 |
| Battery and Drive Shaft Assembly..... | 10 |
| Engine, Muffler and Fuel Tank Assembly..... | 11 |
| Fuel Tank Assembly No. 115-9048..... | 12 |
| Fuel Delivery Assembly..... | 13 |
| Electrical System Assembly..... | 14 |
| Wire Harness Assembly No. 122-1747..... | 15 |
| Tail Light Assembly..... | 16 |
| Attachments and Accessories..... | 17 |



Frame Assembly

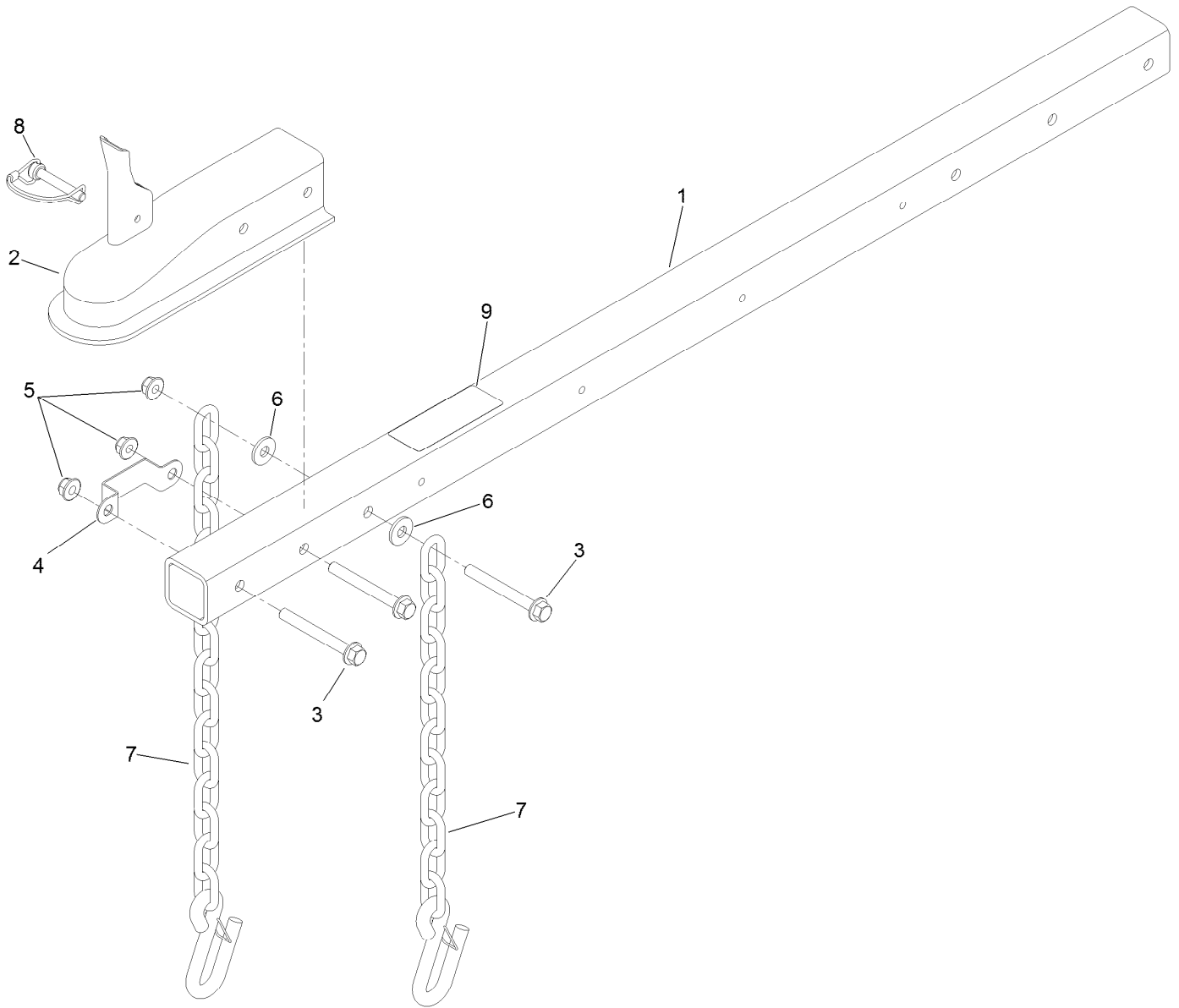
| Ref. | Part Number | Qty. | Description | Ref. | Part Number | Qty. | Description |
|------|-------------|------|-------------------------------|------|-------------|------|-------------------------------|
| 1 | 130-8510 | 1 | Frame ASM | 16 | 3230-2 | 4 | Bolt-CARR |
| 1:2 | 115-5105 | 1 | Decal-Warning | 17 | 322-5 | 2 | Screw-HH |
| 1:3 | 115-5113 | 1 | Decal-Protection, Eye And Ear | 18 | 104-8300 | 10 | Nut-HF, NI |
| 2 | 119-2966 | 1 | Axle ASM | 20 | 3256-82 | 8 | Washer-Flat |
| 3 | 112-6852 | 2 | Fender | 21 | 3233-26 | 4 | Screw-CARR, Short Neck |
| 4 | 104-8301 | 2 | Nut-HF, NI | 22 | 99-5107 | 4 | Nut-Lock |
| 5 | 1-543286 | 2 | Grommet | 24 | 125-6055-01 | 1 | Tower-Control, Wa |
| 6 | 2412-133 | 2 | Clamp-R | 25 | 323-10 | 3 | Screw-HH |
| 7 | 104-7050 | 1 | Tube-Manual | 26 | 93-8806 | 6 | Washer-Hardened |
| 8 | 119-3013 | 2 | Wheel And Tire ASM | 27 | 32128-19 | 3 | Nut-HF |
| 8:1 | 119-3009 | 1 | Tire | 28 | 121-2870 | 3 | Mount-2 Piece |
| 8:2 | 119-3010 | 1 | Rim | 29 | 119-6165 | 1 | Decal-Ignition |
| 8:3 | 232-27 | 1 | Stem-Valve | 30 | 131-6766 | 1 | Decal-Fuses |
| 9 | 323-14 | 2 | Screw-HH | 31 | 131-6703 | 1 | Bracket-Hold Down, Electrical |
| 10 | 119-3005 | 1 | Hitch ASM | 32 | 3334-945 | 1 | Tie-Cable |
| 11 | 104-7048 | 1 | Cap-Housing | 33 | 32180-030 | 1 | Clip-Tie |
| 15 | 3230-9 | 4 | Screw-CARR | 34 | 133-8062 | 1 | Decal-Arrestor, Spark |



Axle Assembly No. 119-2966

| Ref. | Part Number | Qty. | Description |
|------|-------------|------|-----------------------|
| 1 | | 1 | Axle-Torsion ● |
| 2 | 254-94 | 4 | Bearing-Cone, Tapered |
| 3 | 119-3016 | 1 | Hub ASM |
| 3:2 | 114-3918 | 5 | Stud-Wheel |
| 3:3 | 254-72 | 2 | Bearing-Cup, Tapered |
| 4 | 112-1690 | 2 | Seal-Oil |
| 5 | 117-8259 | 2 | Washer-Spindle |
| 6 | 117-8260 | 2 | Nut |
| 7 | 3272-18 | 2 | Pin-Cotter |
| 8 | 93-0307 | 2 | Nut-Lock, Retainer |
| 9 | 241-119 | 2 | Cap-Dust |
| 10 | 242-50 | 10 | Nut-Lug |

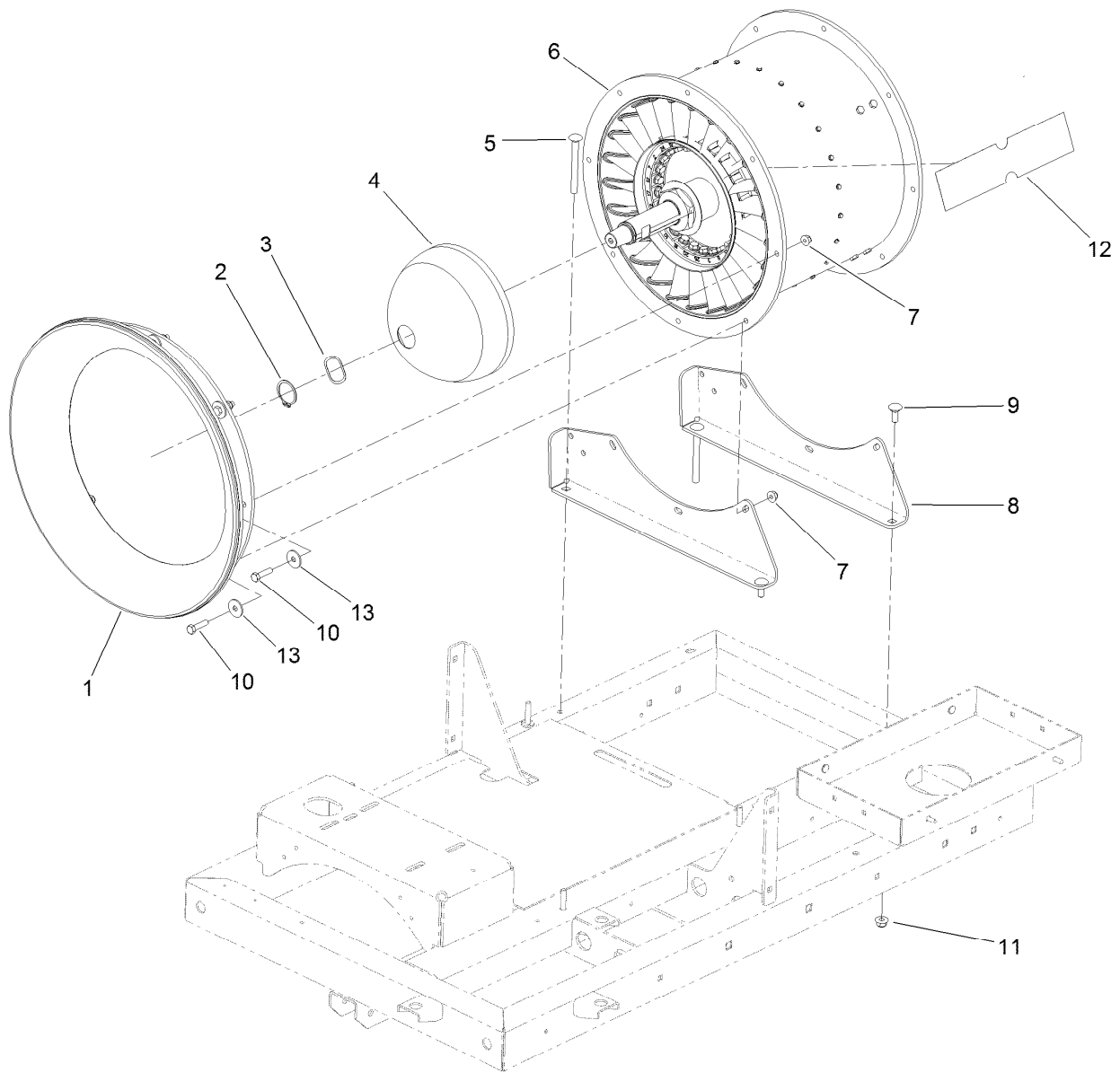
● Not serviced separately



Hitch Assembly No. 119-3005

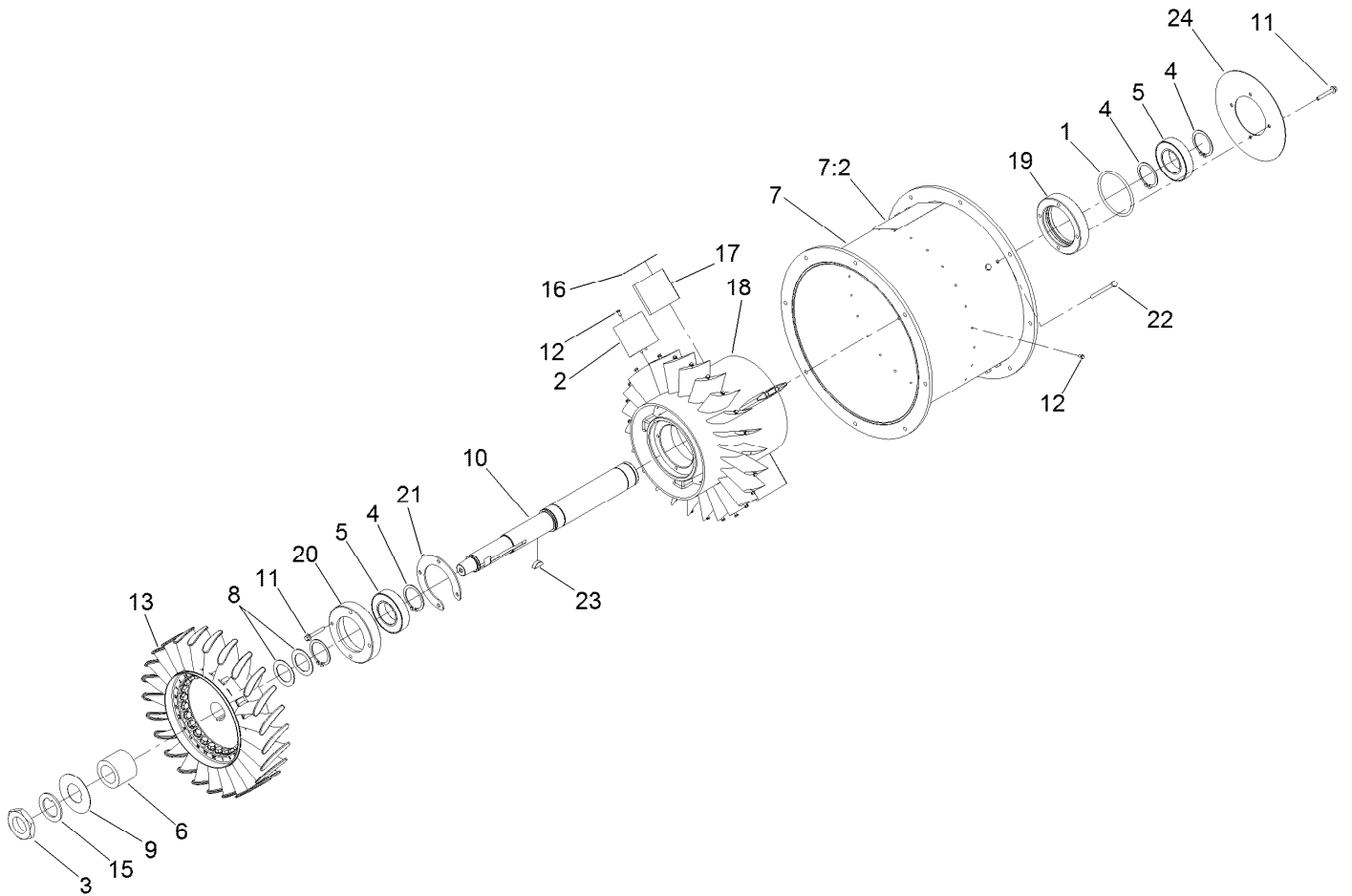
| Ref. | Part Number | Qty. | Description |
|------|-------------|------|-----------------------|
| 1 | | 1 | Tube-Hitch ● |
| 2 | 117-8371 | 1 | Receiver-Hitch, Ball |
| 3 | 3234-41 | 3 | Screw-HHF |
| 4 | 119-3006 | 1 | Hook-Light |
| 5 | 104-8301 | 3 | Nut-HF, NI |
| 6 | 80-6990 | 2 | Washer-Hardened |
| 7 | 119-3045 | 2 | Chain-Safety, Trailer |
| 8 | 105-9245 | 1 | Pin-Lock |
| 9 | 119-6162 | 1 | Decal-Tire |

● Not serviced separately



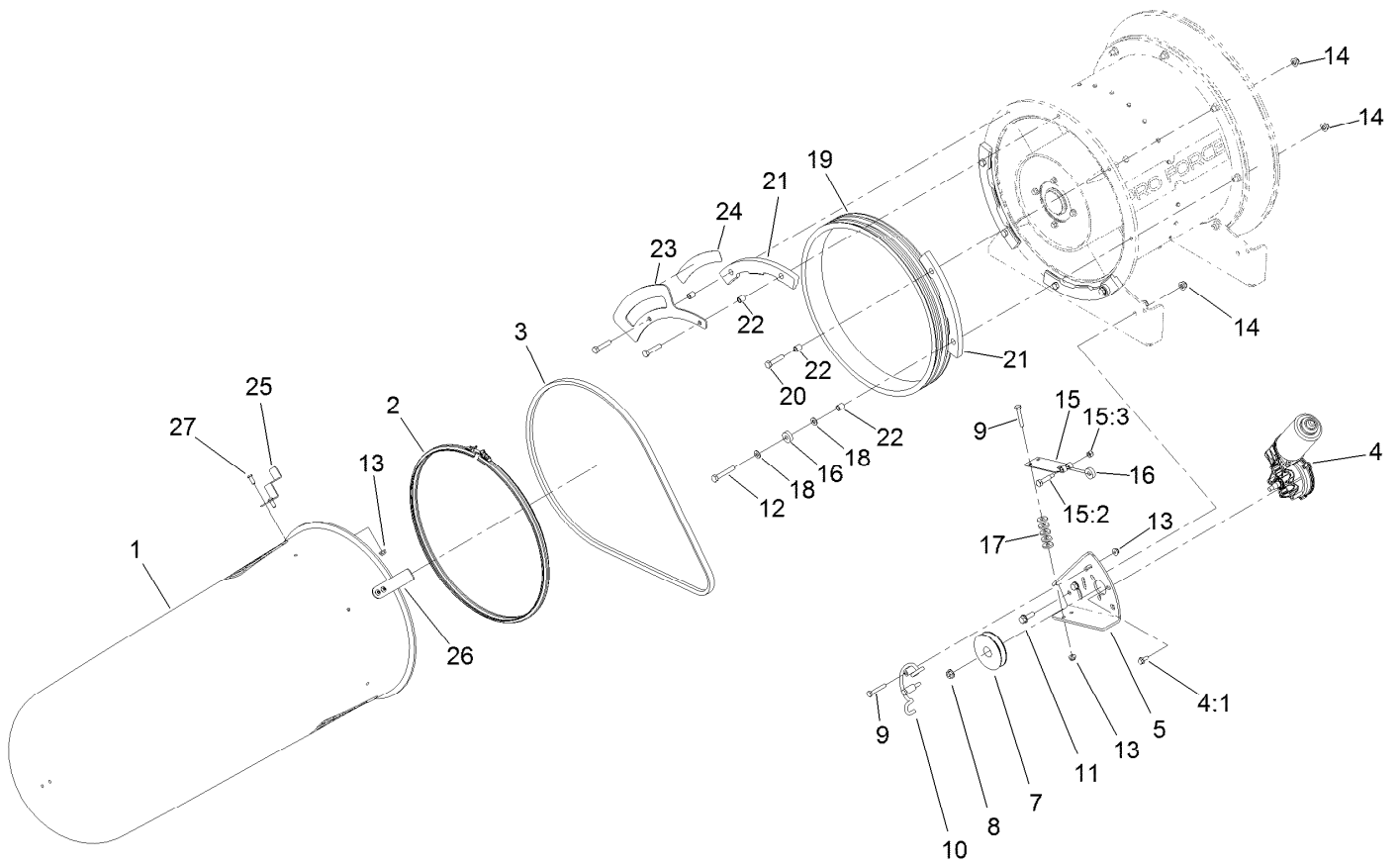
Turbine Mounting Assembly

| Ref. | Part Number | Qty. | Description |
|-------------|--------------------|-------------|--------------------|
| 1 | 117-8329 | 1 | Bell-Inlet |
| 2 | 112-1952 | 1 | Ring-Snap, EXT |
| 3 | 93-4632 | 1 | Washer-Wavey |
| 4 | 131-9440 | 1 | Cap-Front |
| 5 | 3231-24 | 2 | Screw-CARR |
| 6 | 125-4260 | 1 | Turbine ASM |
| 7 | 104-8300 | 8 | Nut-HF, NI |
| 8 | 112-6851-01 | 2 | Mount-Fan |
| 9 | 3231-22 | 2 | Screw-CARR |
| 10 | 322-6 | 8 | Screw-HH |
| 11 | 104-8301 | 4 | Nut-HF, NI |
| 12 | 115-5102 | 2 | Decal |
| 13 | 5-4460 | 8 | Washer-Pivot |



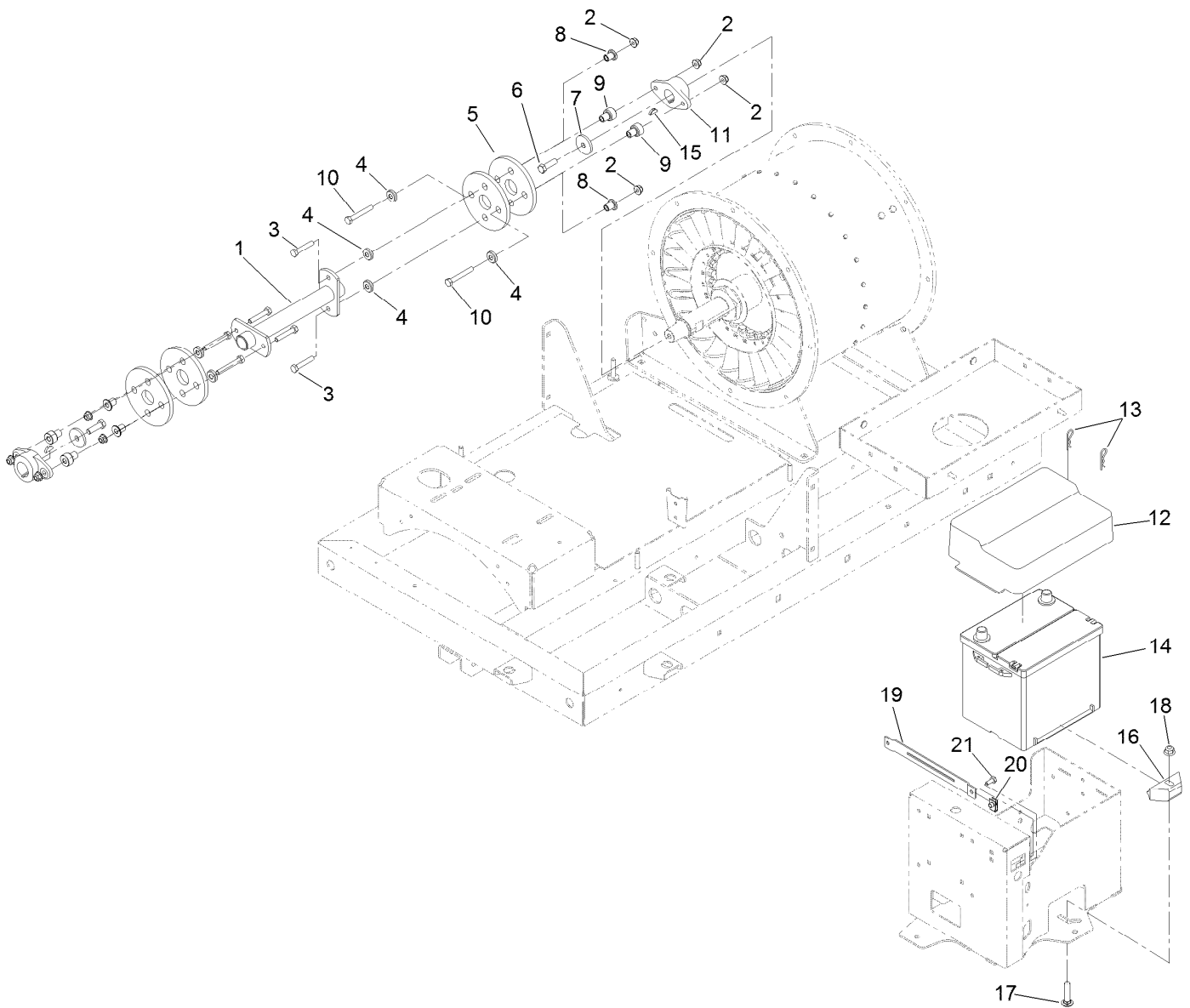
Turbine Assembly No. 125-4260

| <i>Ref.</i> | <i>Part Number</i> | <i>Qty.</i> | <i>Description</i> | <i>Ref.</i> | <i>Part Number</i> | <i>Qty.</i> | <i>Description</i> |
|-------------|--------------------|-------------|--------------------|-------------|--------------------|-------------|--------------------|
| 1 | 92-9533 | 1 | O-Ring | 12 | 117-8303 | 24 | Screw-HHF |
| 2 | 112-1871 | 24 | Vane-Stator | 13 | 117-8356 | 1 | Rotor |
| 3 | 112-1899 | 1 | Nut | 15 | 119-6202 | 1 | Washer-Tab |
| 4 | 112-1951 | 4 | Ring-Snap, EXT | 16 | 119-6207 | 2 | Spacer-Fin |
| 5 | 112-6764 | 2 | Bearing-Ball | 17 | 119-6444 | 4 | Mount-Fin |
| 6 | 114-2164 | 1 | Spacer | 18 | 120-5920 | 1 | Inner Housing |
| 7 | 115-5128 | 1 | Housing ASM | 19 | 120-6042 | 1 | End-Oring |
| 7:2 | 115-5106 | 2 | Decal-Danger | 20 | 120-6061 | 1 | Bearing-Cap |
| 8 | 115-5131 | 2 | Washer | 21 | 120-6063 | 1 | End-Cap |
| 9 | 115-9005 | 1 | Washer-Tab | 22 | 321-19 | 8 | Screw-HH |
| 10 | 115-9075 | 1 | Shaft-Fan | 23 | 3257-42 | 1 | Key-Woodruff |
| 11 | 125-4287 | 8 | Screw-HHF | 24 | 130-0871-03 | 1 | Plate-Center |



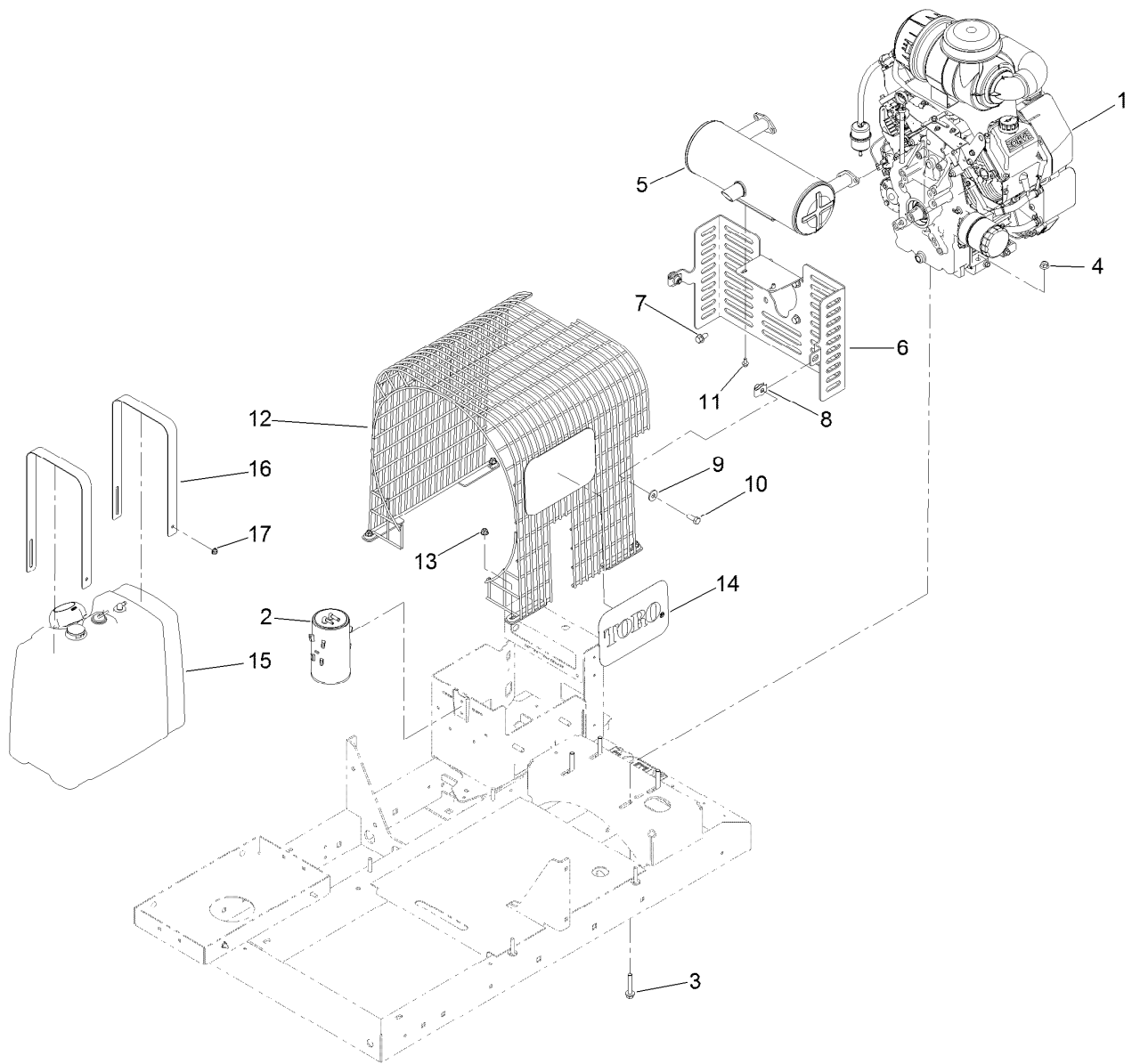
Nozzle Drive Assembly

| <i>Ref.</i> | <i>Part Number</i> | <i>Qty.</i> | <i>Description</i> | <i>Ref.</i> | <i>Part Number</i> | <i>Qty.</i> | <i>Description</i> |
|-------------|--------------------|-------------|--------------------|-------------|--------------------|-------------|-----------------------|
| 1 | 119-6287 | 1 | Nozzle | 15:2 | 36-2250 | 1 | Bolt-Shoulder |
| 2 | 112-6899 | 1 | Clamp-Nozzle | 15:3 | 3296-42 | 1 | Nut-Lock, NI |
| 3 | 112-1853 | 1 | Belt-V | 16 | 251-259 | 3 | Bearing-Ball |
| 4 | 130-8551 | 1 | Motor-Reversible | 17 | 88-7200 | 10 | Washer-Flat |
| 4:1 | 114-8414 | 3 | Screw-HHF | 18 | 3256-74 | 4 | Washer-Flat |
| 5 | 115-5149-01 | 1 | Bracket-Motor | 19 | 112-1874 | 1 | Pulley-Nozzle |
| 7 | 115-5147 | 1 | Pulley | 20 | 322-7 | 6 | Screw-HH |
| 8 | 98-0668 | 1 | Nut | 21 | 114-9868 | 4 | Guide-Nozzle |
| 9 | 321-37 | 4 | Screw-HH | 22 | 93-6859 | 8 | Spacer |
| 10 | 112-6924 | 1 | Guard-Belt, Drive | 23 | 140-2221-03 | 1 | Gauge-Rotation |
| 11 | 3234-29 | 2 | Screw-HHF | 24 | 140-2247 | 1 | Decal-Position, Chute |
| 12 | 322-10 | 2 | Screw-HH | 25 | 140-2220-07 | 1 | Indicator |
| 13 | 104-7201 | 8 | Nut-HF | 26 | 140-2220-01 | 1 | Indicator |
| 14 | 104-8300 | 10 | Nut-HF, NI | 27 | 119-6906 | 4 | Screw-HSBH |
| 15 | 110-9650 | 1 | Leaf Spring ASM | | | | |



Battery and Drive Shaft Assembly

| <i>Ref.</i> | <i>Part Number</i> | <i>Qty.</i> | <i>Description</i> | <i>Ref.</i> | <i>Part Number</i> | <i>Qty.</i> | <i>Description</i> |
|-------------|--------------------|-------------|-------------------------|-------------|--------------------|-------------|--------------------|
| 1 | 115-5124-03 | 1 | Shaft-Drive | 12 | 130-8569 | 1 | Cover-Battery |
| 2 | 104-8300 | 8 | Nut-HF, NI | 13 | 3290-467 | 2 | Pin-Hair |
| 3 | 322-39 | 4 | Screw-HH | 14 | 106-5187 | 1 | Battery-Dry |
| 4 | 131-6761 | 8 | Washer | 15 | 3257-5 | 2 | Key-Woodruff |
| 5 | 115-5129 | 4 | Coupling-Rubber | 16 | 138-6335 | 1 | Retainer-Battery |
| 6 | 323-7 | 2 | Screw-HH | 17 | 3231-5 | 1 | Screw-CARR |
| 7 | 114-2120 | 2 | Washer | 18 | 104-8301 | 1 | Nut-HF, NI |
| 8 | 131-6763 | 4 | Spacer-Coupling, Rubber | 19 | 130-0932-01 | 1 | Bracket-Cover |
| 9 | 131-6762 | 4 | Spacer-Coupling, Rubber | 20 | 107069 | 2 | Clip |
| 10 | 322-32 | 4 | Screw-HH | 21 | 321-4 | 2 | Screw-HH |
| 11 | 114-2122 | 2 | Hub-Engine | | | | |

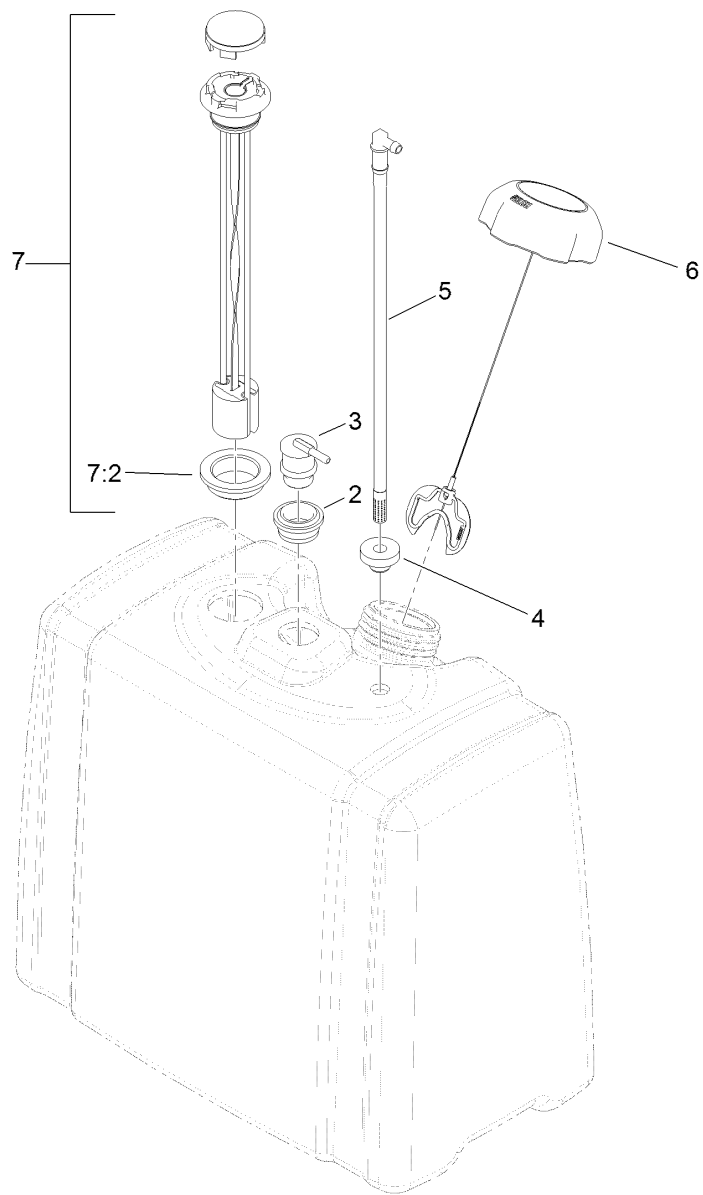


Engine, Muffler and Fuel Tank Assembly

| Ref. | Part Number | Qty. | Description | Ref. | Part Number | Qty. | Description |
|------|-------------|------|----------------------------------|------|-------------|------|-----------------------|
| 1 | | 1 | Engine-Kohler, Ch740-3331 ● ■ | 9 | 80-6990 | 2 | Washer-Hardened |
| 2 | 127-8685 | 1 | Canister-Carbon | 10 | 323-6 | 2 | Screw-HH |
| 3 | 66-9302 | 4 | Screw-HHF, Whiz | 11 | 33103-012 | 2 | Screw-HHF |
| 4 | 104-8301 | 4 | Nut-HF, NI | 12 | 112-6876 | 1 | Grill-Top |
| 5 | 112-6862 | 1 | Muffler | 13 | 104-8300 | 4 | Nut-HF, NI |
| 6 | 119-6171-03 | 1 | Mount-Muffler | 14 | 92-1242 | 2 | Decal |
| 7 | 110-1718 | 4 | Screw-HHF | 15 | 115-9048 | 1 | Fuel Tank ASM |
| 8 | 105-4886 | 2 | Nut-Tinnerman | 16 | 119-6285 | 2 | Strap-Hold Down, Tank |
| | | | | 17 | 104-7201 | 4 | Nut-HF |

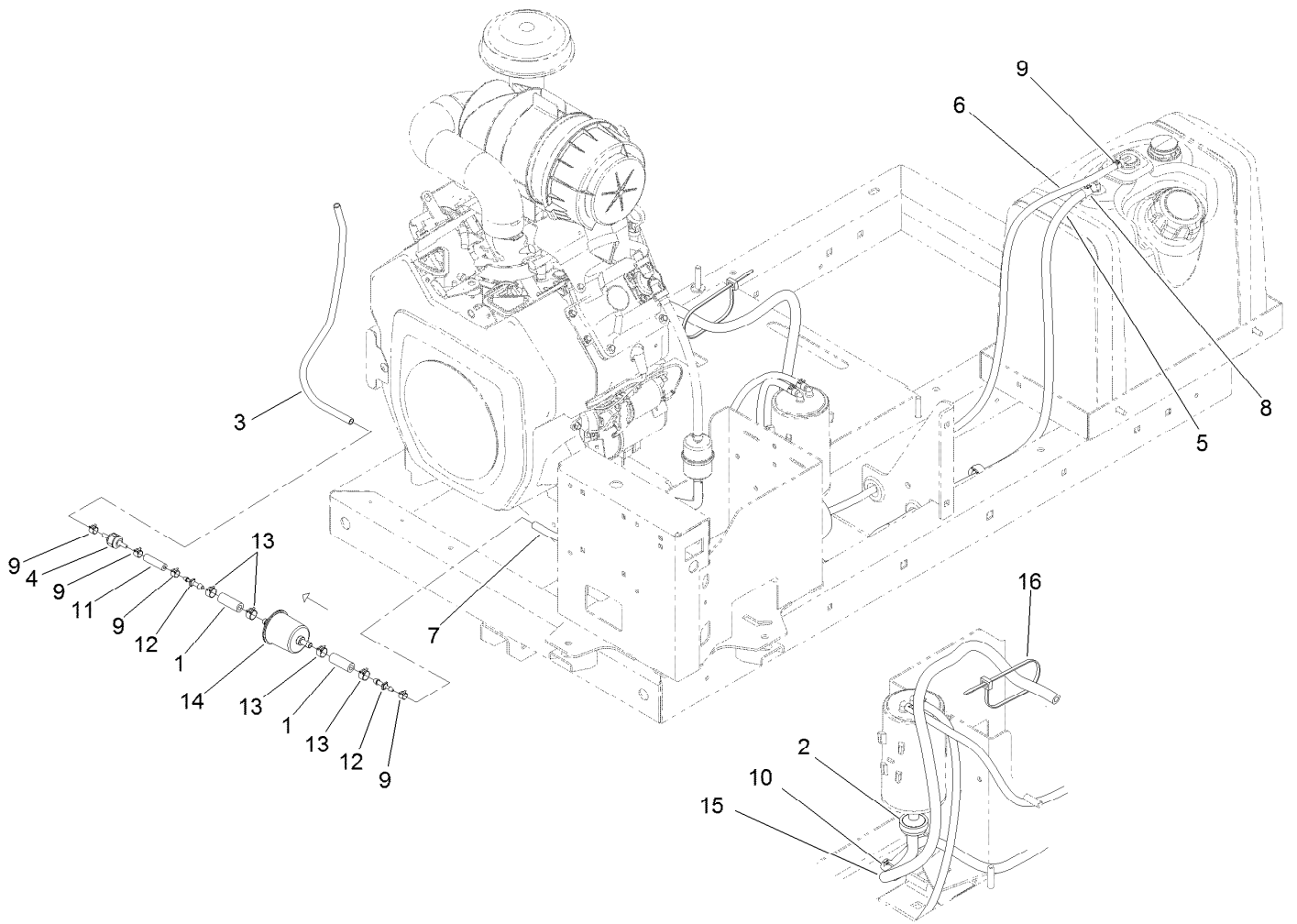
● Not serviced separately

■ Obtain parts from www.kohlerplus.com



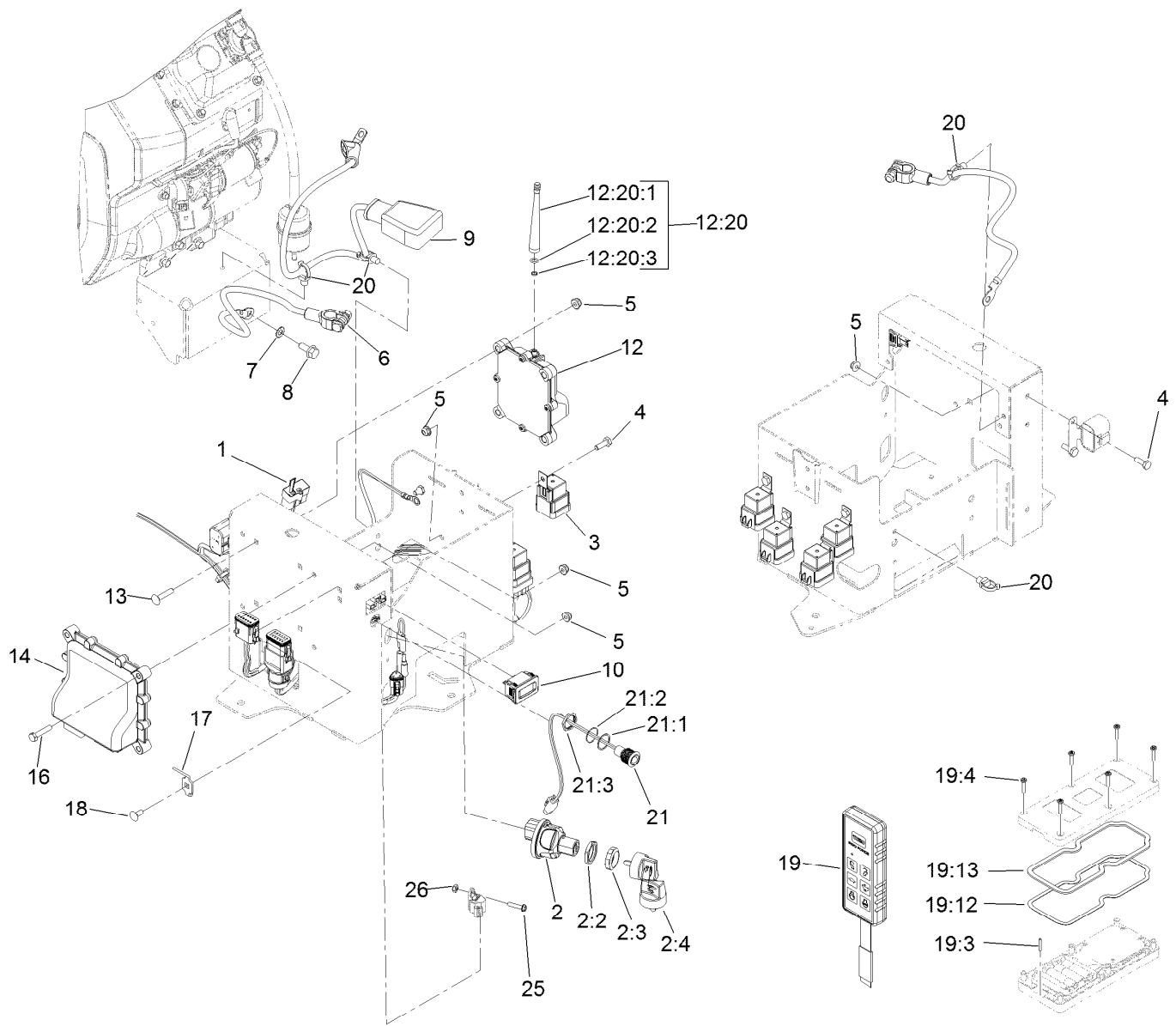
Fuel Tank Assembly No. 115-9048

| <i>Ref.</i> | <i>Part Number</i> | <i>Qty.</i> | <i>Description</i> |
|-------------|--------------------|-------------|--------------------|
| 2 | 114-0284 | 1 | Grommet |
| 3 | 114-0285 | 1 | Valve-Rollover |
| 4 | 46-6560 | 1 | Bushing |
| 5 | 115-9044 | 1 | Pipe-Stand |
| 6 | 137-4127 | 1 | Cap-Fuel |
| 7 | 119-0509 | 1 | Gauge ASM |
| 7:2 | 119-0508 | 1 | Seal |



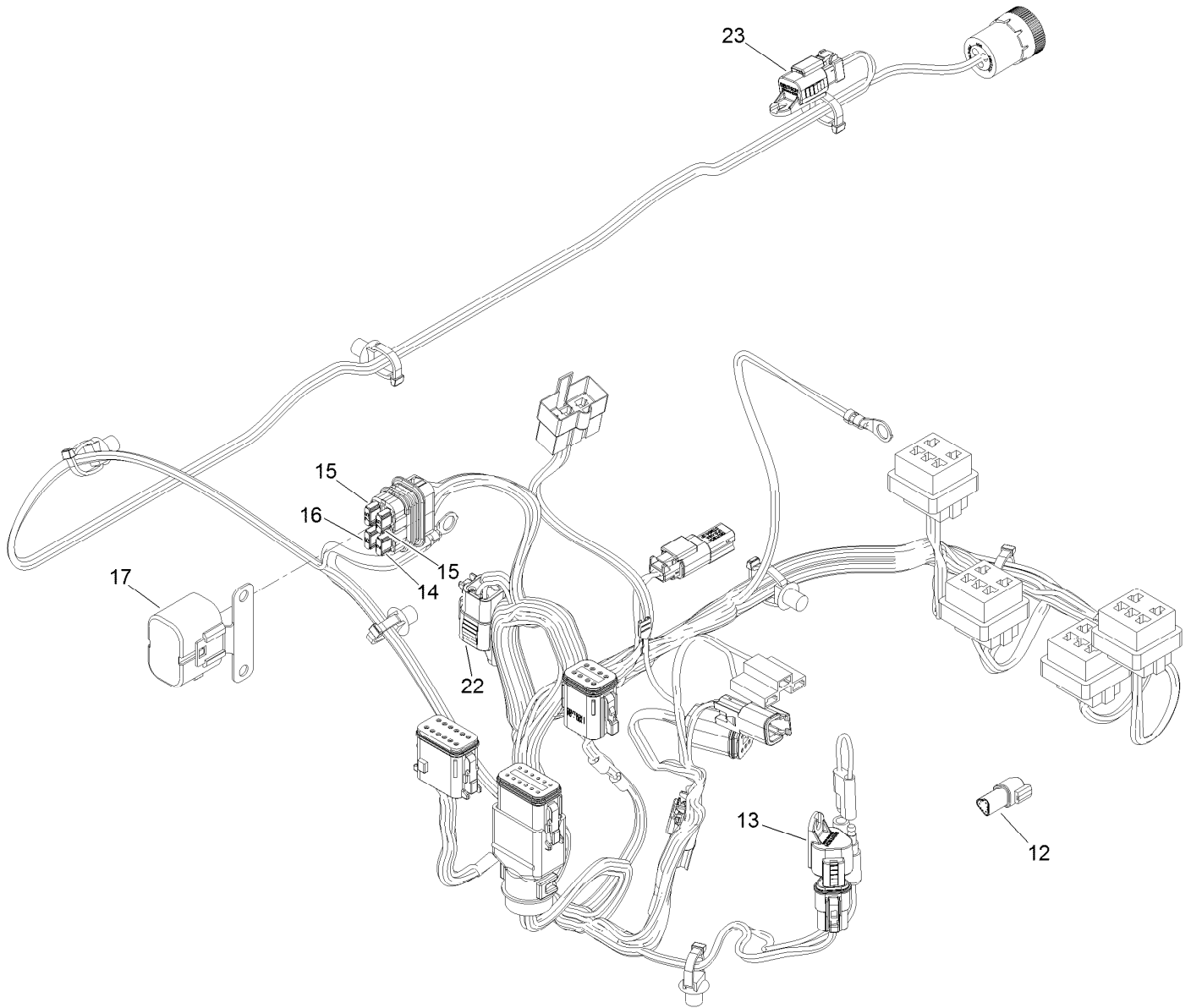
Fuel Delivery Assembly

| <i>Ref.</i> | <i>Part Number</i> | <i>Qty.</i> | <i>Description</i> | <i>Ref.</i> | <i>Part Number</i> | <i>Qty.</i> | <i>Description</i> |
|-------------|--------------------|-------------|---------------------|-------------|--------------------|-------------|--------------------|
| 1 | 106-5317 | 3 | Hose-Fuel | 9 | 2412-80 | 5 | Clamp-Hose |
| 2 | 115-7854 | 1 | Filter-Fuel, Inline | 10 | 32180-030 | 6 | Clip-Tie |
| 3 | 119-8150 | 1 | Hose-Fuel | 11 | 119-8561 | 1 | Hose-Fuel |
| 4 | 133-8499 | 1 | Valve-Check, Vacuum | 12 | 106-8150 | 2 | Fitting-Straight |
| 5 | 107-9298 | 1 | Hose-Fuel | 13 | 92-2379 | 4 | Clamp-Hose |
| 6 | 119-6073 | 1 | Hose-Fuel | 14 | 120-2235 | 1 | Filter-Fuel |
| 7 | 110-3254 | 1 | Hose-Fuel | 15 | 110-4109 | 1 | Hose-Fuel |
| 8 | 2412-98 | 2 | Clamp-Hose | 16 | 3290-378 | 1 | Tie-Cable |



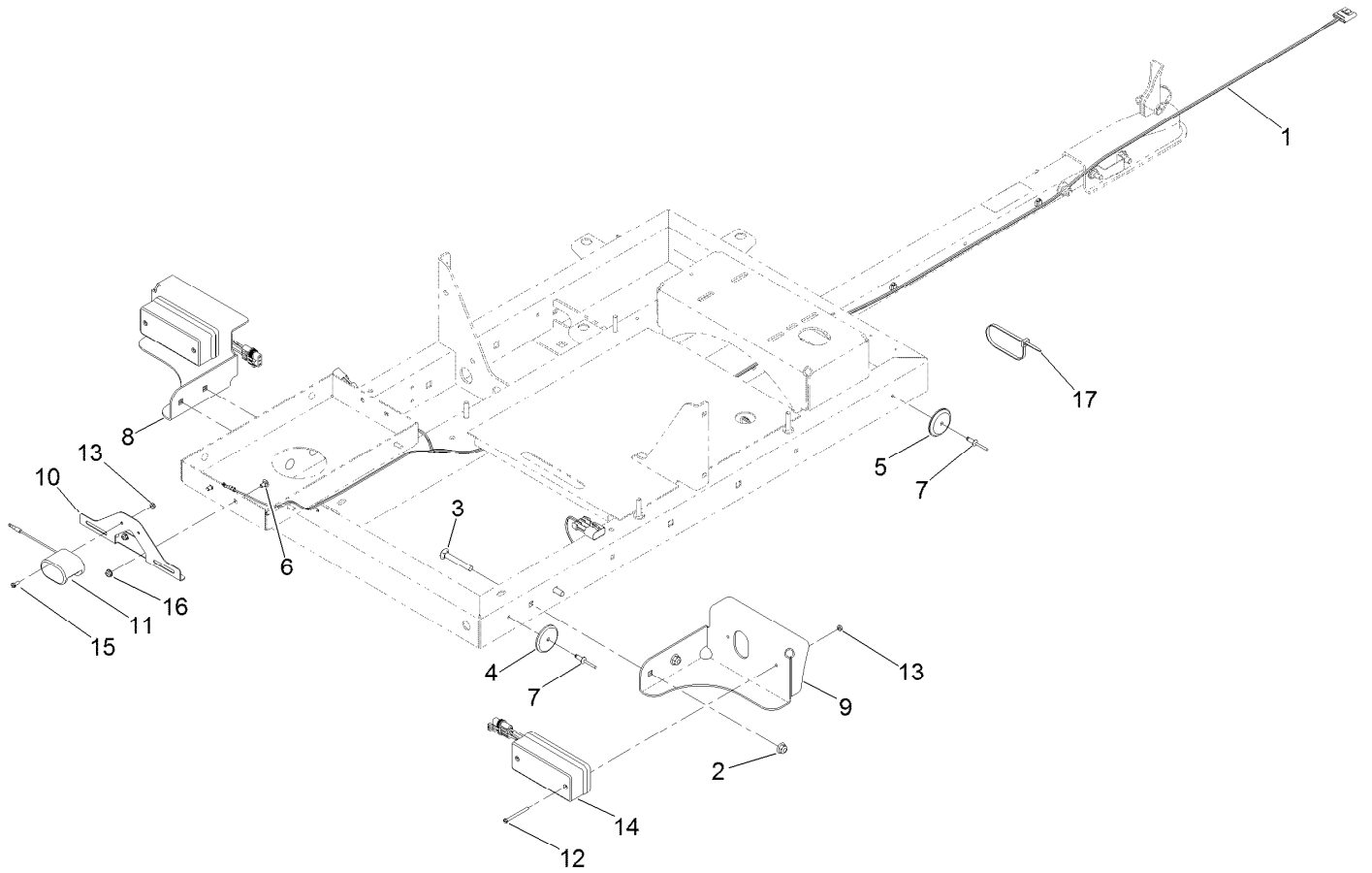
Electrical System Assembly

| Ref. | Part Number | Qty. | Description | Ref. | Part Number | Qty. | Description |
|---------|-------------|------|--------------------------------------|-------|-------------|------|----------------------------|
| 1 | 122-1747 | 1 | Harness-Wire, Proforce Blower Rf2Can | 13 | 3229-3 | 4 | Screw-CARR |
| 2 | 121-5159 | 1 | Ignition Switch ASM | 14 | 125-1360 | 1 | Controller |
| 2:2 | 121-5160 | 1 | Nut-Hex | 16 | 321-8 | 4 | Screw-HH |
| 2:3 | 121-5161 | 1 | Nut-Face | 17 | 121-2761 | 1 | Mount-Transmitter |
| 2:4 | 121-5162 | 1 | Set-Key, Ignition | 18 | 3229-11 | 1 | Screw-CARR |
| 3 | 99-7430 | 4 | Relay-Mini | 19 | 125-1270 | 1 | Remote ASM |
| 4 | 321-4 | 6 | Screw-HH | 19:3 | 121-2906 | 1 | Pin-Lanyard |
| 5 | 104-7201 | 15 | Nut-HF | 19:4 | 121-2908 | 6 | Screw-PPH |
| 6 | 125-5966 | 1 | Cable-Battery, Negative | 19:12 | 125-1294 | 1 | Backer-Gasket |
| 7 | 3255-8 | 1 | Washer-Lock | 19:13 | 125-1295 | 1 | Gasket (HH-Small) |
| 8 | 33104-020 | 1 | Screw-HHF | 20 | 32180-030 | 3 | Clip-Tie |
| 9 | 122-0629 | 1 | Cable-Battery, Positive | 21 | 122-0630 | 1 | Red LED Indicator Lamp ASM |
| 10 | 120-2244 | 1 | Hourmeter | 21:1 | 122-0634 | 1 | Gasket-LED |
| 12 | 132-9600 | 1 | Controller | 21:2 | 122-0633 | 1 | Washer-Locking |
| 12:20 | 140-6605 | 1 | Antenna Service Kit | 21:3 | 122-0632 | 1 | Nut-Fixing |
| 12:20:1 | 125-1567 | 1 | Antenna | 25 | 106-9169 | 1 | Screw-HWH |
| 12:20:2 | 127-2323 | 1 | O-Ring | 26 | 3296-12 | 1 | Nut-Lock, NI |
| 12:20:3 | 127-2506 | 1 | Spacer | | | | |



Wire Harness Assembly No. 122-1747

| <i>Ref.</i> | <i>Part Number</i> | <i>Qty.</i> | <i>Description</i> |
|-------------|--------------------|-------------|--------------------------|
| 12 | 32180-043 | 2 | Resistor-120 Ohm |
| 13 | 32180-089 | 1 | Cap-Plug, 3 Way |
| 14 | 121-8861 | 1 | Fuse-Mini Blade, 2 Amp |
| 15 | 121-8865 | 2 | Fuse-Mini Blade, 7.5 Amp |
| 16 | 121-8867 | 1 | Fuse-Mini Blade, 15 Amp |
| 17 | 32180-179 | 1 | Cover-Bussman |
| 22 | 32180-156 | 1 | Cap-Plug, 6 Way |
| 23 | 32180-091 | 1 | Cap-Dust, 2 Way |



Tail Light Assembly

| <i>Ref.</i> | <i>Part Number</i> | <i>Qty.</i> | <i>Description</i> | <i>Ref.</i> | <i>Part Number</i> | <i>Qty.</i> | <i>Description</i> |
|-------------|--------------------|-------------|--------------------------|-------------|--------------------|-------------|------------------------|
| 1 | 119-1792 | 1 | Harness-Wire | 10 | 119-6072-03 | 1 | Bracket-Plate, License |
| 2 | 104-8301 | 4 | Nut-HF, NI | 11 | 119-3041 | 1 | Lamp-License |
| 3 | 3231-9 | 4 | Screw-CARR | 12 | 32105-14 | 4 | Screw-SHH |
| 4 | 74-2390 | 2 | Reflector-Red | 13 | 3296-12 | 6 | Nut-Lock, NI |
| 5 | 104-6962 | 2 | Reflector-Amber | 14 | 119-3046 | 2 | Tail-Light |
| 6 | 3229-10 | 2 | Screw-CARR | 15 | 32105-8 | 2 | Screw-SHH |
| 7 | 3290-412 | 4 | Rivet-Blind | 16 | 104-7201 | 2 | Nut-HF |
| 8 | 119-3003-03 | 1 | Bracket-Light Mount (LH) | 17 | 3290-379 | 1 | Tie-Cable |
| 9 | 119-3004-03 | 1 | Bracket-Light Mount (RH) | | | | |

Attachments and Accessories

For 44553 Pro Force Debris Blower

| Product Name | Model/Part |
|---|-------------------|
| Tapered Nozzle Kit..... | 119-6280 |
| Rectangular Nozzle Kit | 119-6281 |
| 10 Gallon Kit, Pro Force Debris Blower..... | 130-4371 |
| Alignment Tool Asm | 137-6616 |
| Chute Position Indicator Kit..... | 140-2257 |
| Spark Arrestor Screen | 94-8157 |

Notes:

Notes:



Count on it.