



Wheel Horse[®] 60" Side Discharge Mower

Model No. 78395 – 200000001 and Up

Parts Catalog

Ordering Replacement Parts

To order replacement parts, please supply: the part number, the quantity, and the description of each part desired.

Understanding Reference Numbers

Each identified part in an illustration has a reference number. The reference number for a part also appears in the parts list, along with other information about the part.

This catalog uses two special reference number formats, one to indicate parts in a service assembly and another to indicate the quantity of a given part in an illustration.

Service Assembly Reference Numbers

Parts in service assemblies have reference numbers in the form **a:b**. The **a** represents the reference number of the entire service assembly and the **b** represents a sequential number unique to each part within the service assembly.

For example, a wheel assembly might be identified by reference number **6**, the tire by **6:1**, the valve by **6:2**, and the wheel by **6:3**. When you order the assembly identified by reference number **6**, you receive all parts identified by reference numbers **6:1**, **6:2**, and **6:3**. However, you may also order any part individually.

Reference numbers of this type appear in illustrations and in part lists.

Reference Numbers Indicating Quantity

In an illustration, if a reference number indicates more than one part, the reference number has the form **nX y**. The **n** represents the quantity of the part, the **X** is the multiplication symbol, and the **y** represents the reference number.

For example, in an illustration, the reference number **2X 37** means that two of the parts identified by reference number **37** are indicated.

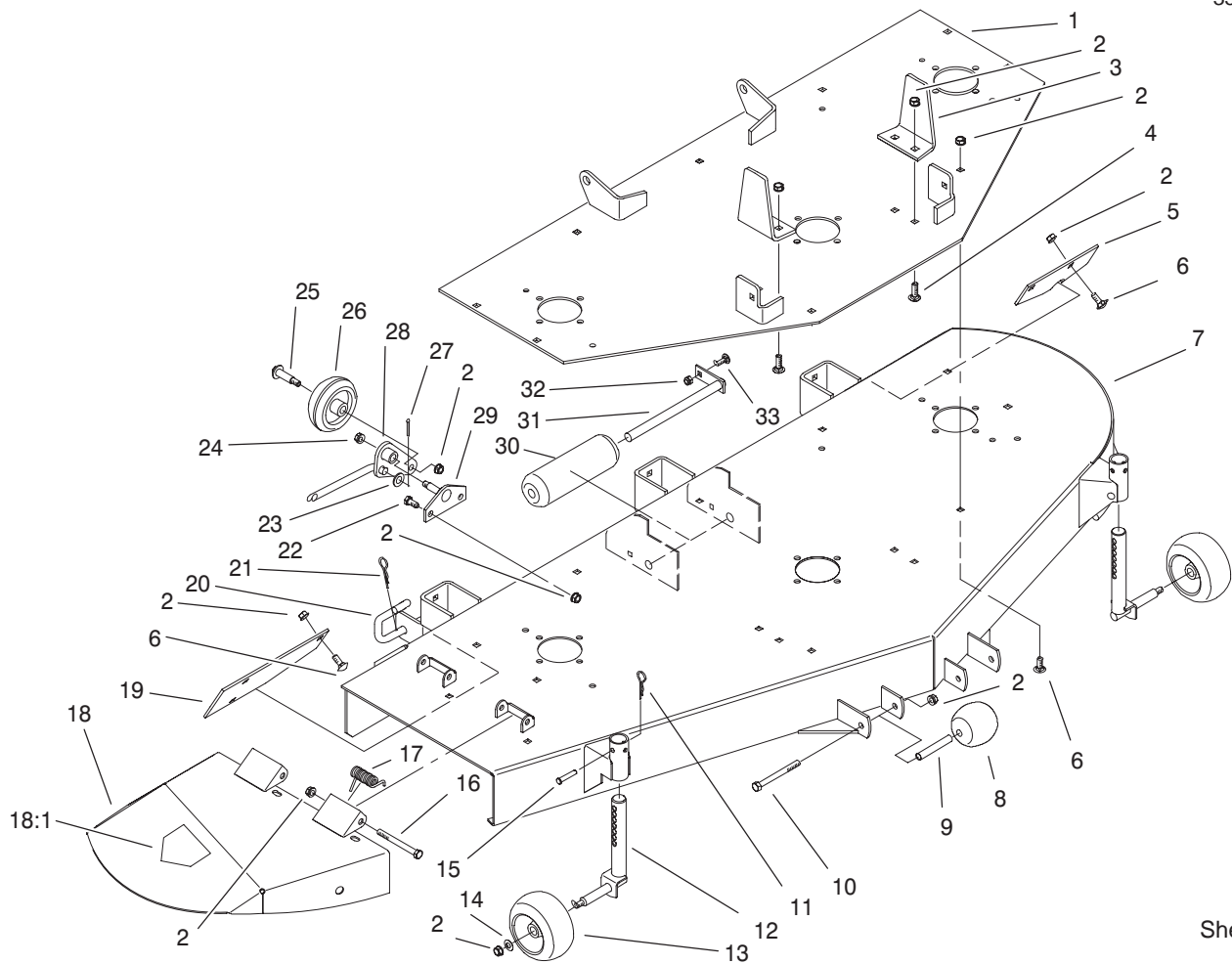
Contents

Description	Page	Description	Page
Reinforcement Plate Assembly	3	Pulley Box Assembly	6
Spindle and Blade Assembly	4	Decal Assembly	7
Deck Suspension Assembly	5		

Part Description Abbreviations

Part descriptions in this catalog may include the following abbreviations.

Abbreviation	Meaning	Abbreviation	Meaning
AR	as required	INC	incorporated
ASM	assembly	LH	left hand
CARR	carriage	NI	nylon insert
DEG	degrees	PPH	Phillips pan head
FH	flat head	PTH	Phillips truss head
GA	gauge	PTO	power take off
HF	hex flange	RH	right hand
HH	hex head	SFH	slotted fillister head
HHF	hex head flange	SHH	slotted hex head
HLH	hex lag head	SQH	square head
HJ	hex jam	SHWH	slotted hex washer head
HOC	height-of-cut	SPH	slotted pan head
HS	hex socket	SRH	slotted round head
HSBH	hex socket button head	STD	standard
HSFH	hex socket flat head	TAP	self tapping
HSH	hex socket head	TTH	Torx truss head
HWH	hex washer head	WH	wing head
HWHTF	hex washer head thread forming		

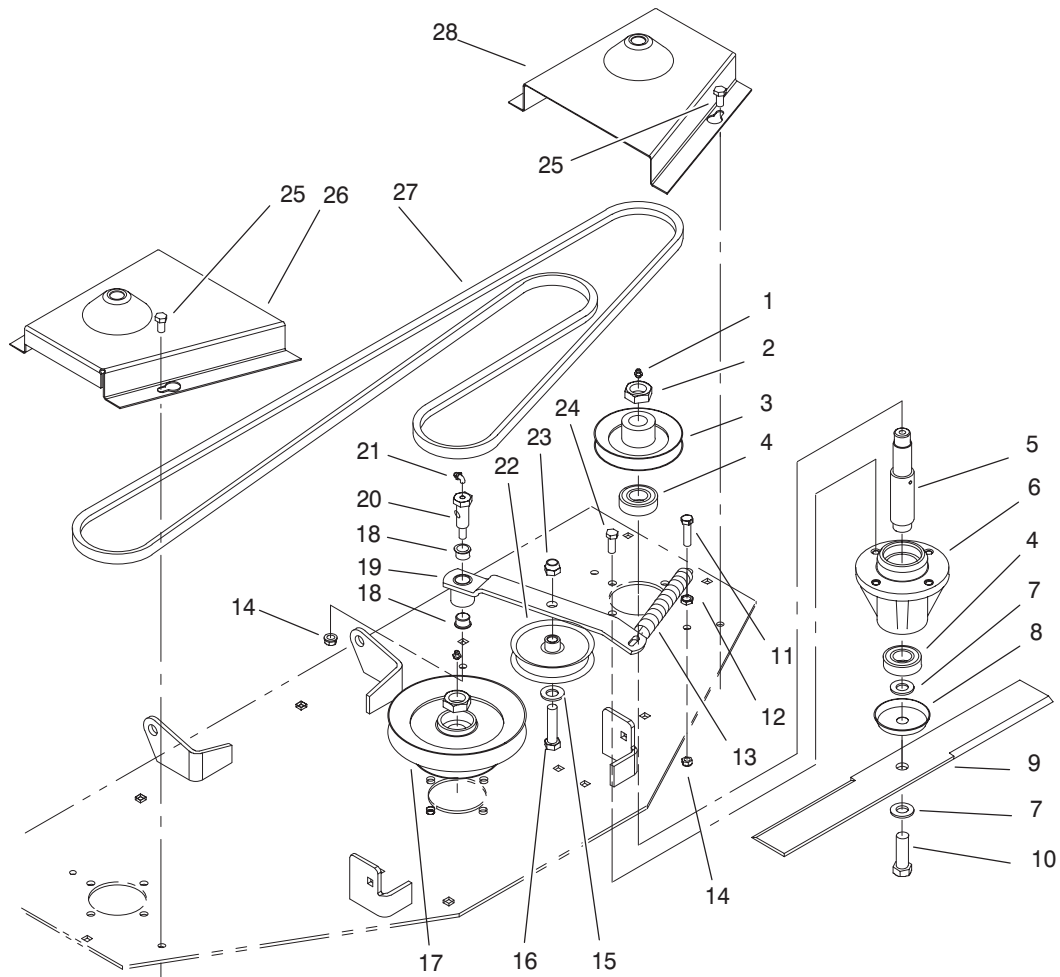


Sheet No.:2

Reinforcement Plate Assembly

Ref. No.	Part No.	Qty.	Description
1	94-2369-01	1	Plate
2	3296-39	24	Nut-Lock, NI
3	94-7642-01	2	Bracket-Guide
4	3231-25	4	Screw-CARR
5	79-1230-03	1	Plate-Wear LH
6	3231-2	11	Screw-CARR
7	94-2424-01	1	Deck
8	29-4820	2	Roller
9	94-2500	2	Tube - Wheel Spacer
10	323-16	2	Screw-HH
11	3290-467	2	Pin-Hair
12	94-2364	2	Gage Wheel Support
13	68-2730	2	Wheel-Gage
14	3256-24	2	Washer-Flat
15	94-3829	2	Pin-Clevis
16	323-42	2	Screw-HH
17	40-6230	2	Spring
18	92-6508	1	Chute/Decal ASM
18:1	93-1122	1	Decal-Danger
19	79-1240-03	1	Plate-Wear RH
20	94-7806	1	Rod - Wheel Pivot
21	9335064	1	Pin-Hair
22	323-6	2	Screw-HH
23	3256-26	1	Washer-Flat
24	102809	1	Locknut-Flange
25	56-6591	1	Bolt-Wheel

Ref. No.	Part No.	Qty.	Description
26	701756	1	Wheel-Gage
27	3272-12	1	Pin-Cotter
28	94-7594	1	Pivot Arm
29	94-7597	1	Pivot Plate
30	113349	1	Roller-Anti Scalp
31	113603	1	Roller Shaft
32	3296-29	1	Nut-Lock, NI
33	3230-1	1	Screw-CARR

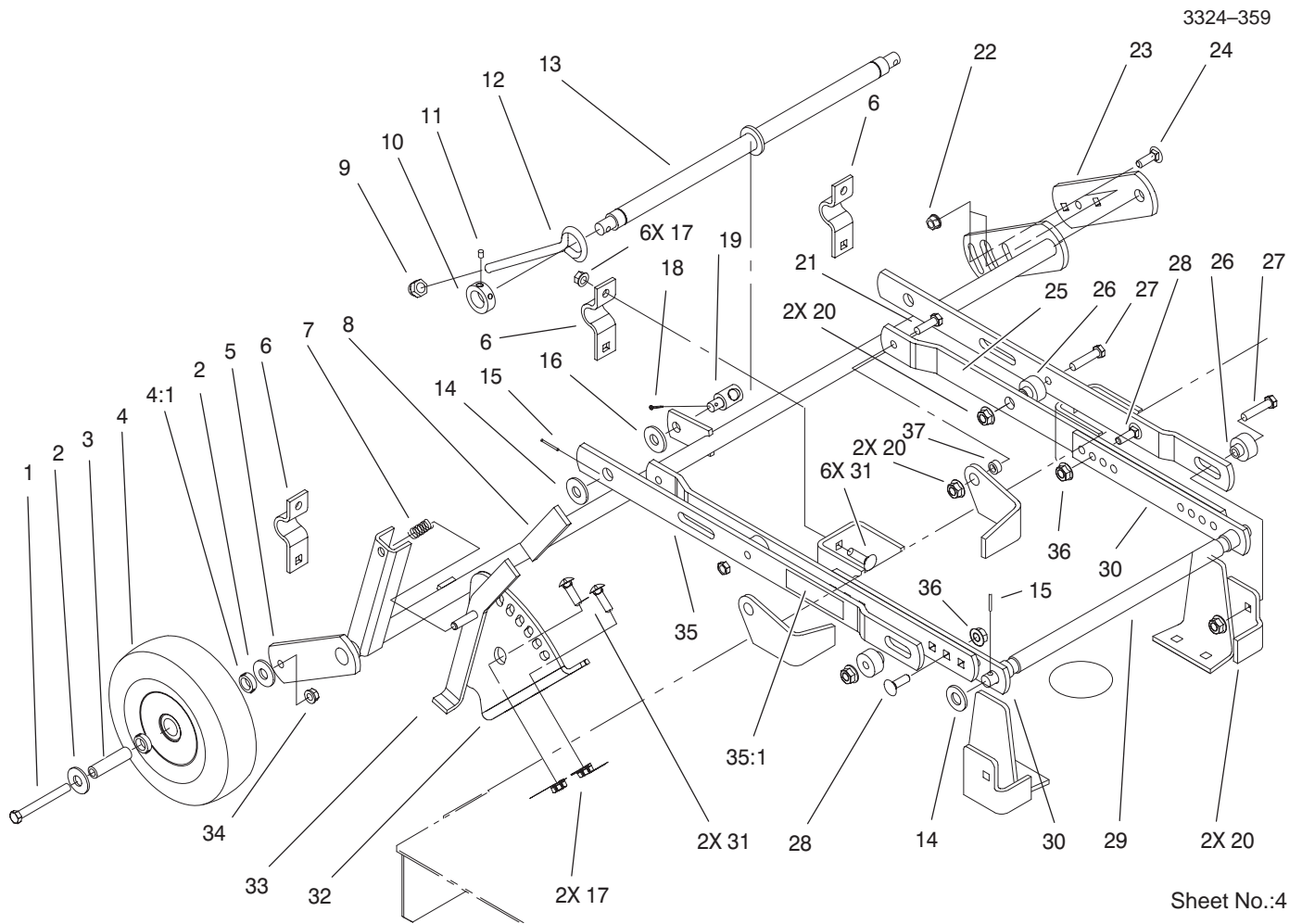


Sheet No.: 3

Spindle and Blade Assembly

Ref. No.	Part No.	Qty.	Description
1	302-2	3	Fitting-Grease
2	3296-60	3	Nut-Lock NI
3	94-7442	2	Pulley
4	113514	6	Bearing
5	94-2315	3	Shaft - Spindle
6	94-2314	3	Housing - Spindle
7	920260	6	Washer-Special
8	113512	3	Cup-Spindle
9	112947	3	Blade
10	327-6	3	Screw-HH
11	323-8	1	Screw-HH
12	3218-3	1	Nut-Jam
13	100071	1	Spring-Extension
14	3296-39	2	Nut-Lock, NI
15	3256-26	1	Washer-Flat
16	325-9	1	Screw-HH
17	104-0579	1	Pulley - Double
18	109859	2	Bushing
19	94-2319-03	1	Idler Arm
20	120060	1	Bolt-Shoulder
21	302-40	1	Fitting-Grease
22	114144	1	Pulley-Idler
23	3296-23	1	Nut-Lock, NI
24	3235-22	12	Screw-HH
25	9267154	4	Screw
26	94-2320-01	1	Cover-Belt, RH,

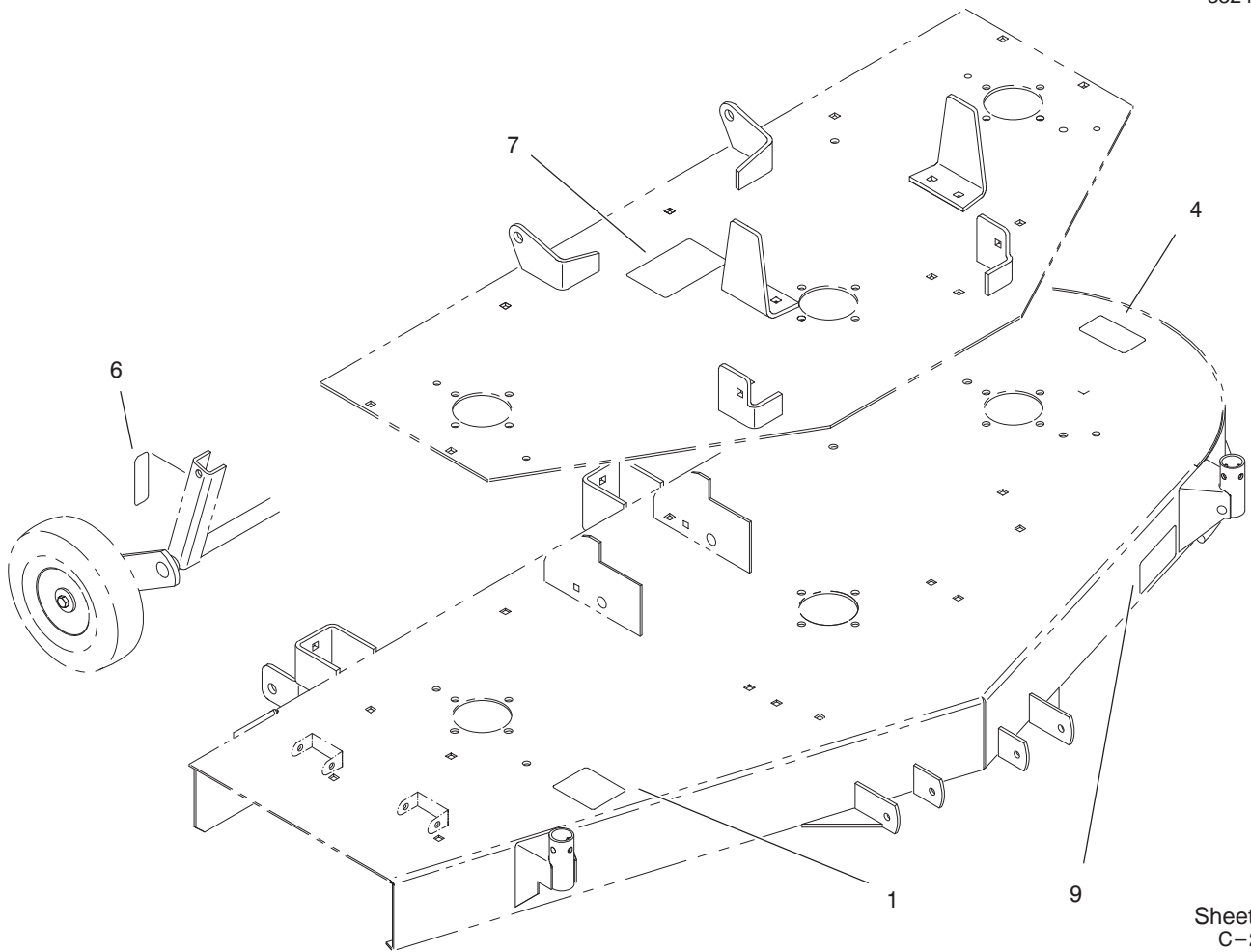
Ref. No.	Part No.	Qty.	Description
27	95-4229	1	Belt - V Deck
28	95-4241-01	1	Cover-Belt, LH,



Deck Suspension Assembly

Ref. No.	Part No.	Qty.	Description
1	323-15	2	Screw-HH
2	3256-24	4	Washer-Flat
3	109901	2	Spacer
4	114275	2	Assy-Gauge Wheel
4:1	114276	2	Bearing-Ball
5	94-7584-01	1	Wheel Support
6	94-7426-03	3	Clamp
7	101853	1	Spring-Compression
8	102597	1	Grip
9	3296-23	1	Nut-Lock, NI
10	94-7953	1	Collar
11	3245-2	2	Screw-Set, HSH
12	94-7954	1	Rod-Level Adjustment
13	94-7943-01	1	Shaft-Leveler
14	3256-69	4	Washer-Flat
15	933216	4	Pin-Roll, Spirol
16	3256-26	1	Washer-Flat
17	3296-39	8	Nut-Lock, NI
18	3272-12	1	Pin-Cotter
19	94-7802	1	Trunnion
20	102809	6	Locknut-Flange
21	323-7	2	Screw-HH
22	32128-43	2	Nut - Flange
23	94-7580-01	1	Support-Gage Wheel
24	3231-2	2	Screw-CARR
25	94-7801-01	2	Draftbar

Ref. No.	Part No.	Qty.	Description
26	115706	4	Spacer
27	323-9	4	Screw-HH
28	3231-38	4	Screw-CARR
29	94-2130-01	1	Shaft-Draftbar
30	94-7804-01	2	Draftbar-Adjustment
31	3231-25	8	Screw-CARR
32	94-2321-01	1	Quadrant-Deck
33	94-2046-01	1	HOC Lever
34	32146-2	2	Nut-Lock, NI
35	98-5041	1	Leveler ASM-LH
35	98-5043	1	Leveler ASM-RH
35:1	98-3478	2	Decal - Warning
36	32152-2	4	Nut-Conelock
37	114127	2	Spacer



Sheet No.:6
C-2714

Decal Assembly

Ref. No.	Part No.	Qty.	Description
1	98-3481	1	Decal - Belt Routing
4	92-7108	2	Decal-Danger
6	111655	1	Decal-HOC
7	98-3480	1	Decal - Belt Routing
9	93-7282	1	Decal-wheel Adjustment

Ref. No.	Part No.	Qty.	Description

