



## 924 Power Shift Snowthrower

Model No. 38079—200000001 and Up

Model No. 38547—200000001 and Up

### Parts Catalog

---

#### Ordering Replacement Parts

To order replacement parts, please supply: the part number, the quantity, and the description of each part desired.

#### Understanding Reference Numbers

Each identified part in an illustration has a reference number. The reference number for a part also appears in the parts list, along with other information about the part.

This catalog uses two special reference number formats, one to indicate parts in a service assembly and another to indicate the quantity of a given part in an illustration.

#### Service Assembly Reference Numbers

Parts in service assemblies have reference numbers in the form **a:b**. The **a** represents the reference number of the entire service assembly and the **b** represents a sequential number unique to each part within the service assembly.

For example, a wheel assembly might be identified by reference number **6**, the tire by **6:1**, the valve by **6:2**, and the wheel by **6:3**. When you order the assembly identified by reference number **6**, you receive all parts identified by reference numbers **6:1**, **6:2**, and **6:3**. However, you may also order any part individually.

Reference numbers of this type appear in illustrations and in part lists.

#### Reference Numbers Indicating Quantity

In an illustration, if a reference number indicates more than one part, the reference number has the form **nX y**. The **n** represents the quantity of the part, the **X** is the multiplication symbol, and the **y** represents the reference number.

For example, in an illustration, the reference number **2X 37** means that two of the parts identified by reference number **37** are indicated.

## Contents

Description	Page	Description	Page
Housing and Engine Frame Assembly .....	3	Carburetor .....	15
Auger Gearcase Assembly .....	5	Engine Assembly	
Engine and Transmission Assembly .....	6	OHSK 90-221413A (Only on 38547) .....	16
Traction Gearcase Assembly .....	7	Engine Assembly	
Power Shift Control Assembly .....	9	OHSK 90-221412A (Only on 38079) .....	20
Handle and Control Assembly .....	10	Electric Starter .....	24
Headlamp Assembly .....	12	Recoil Starter (Optional) .....	25
Lower Traction Assembly .....	13	Recoil Starter .....	26

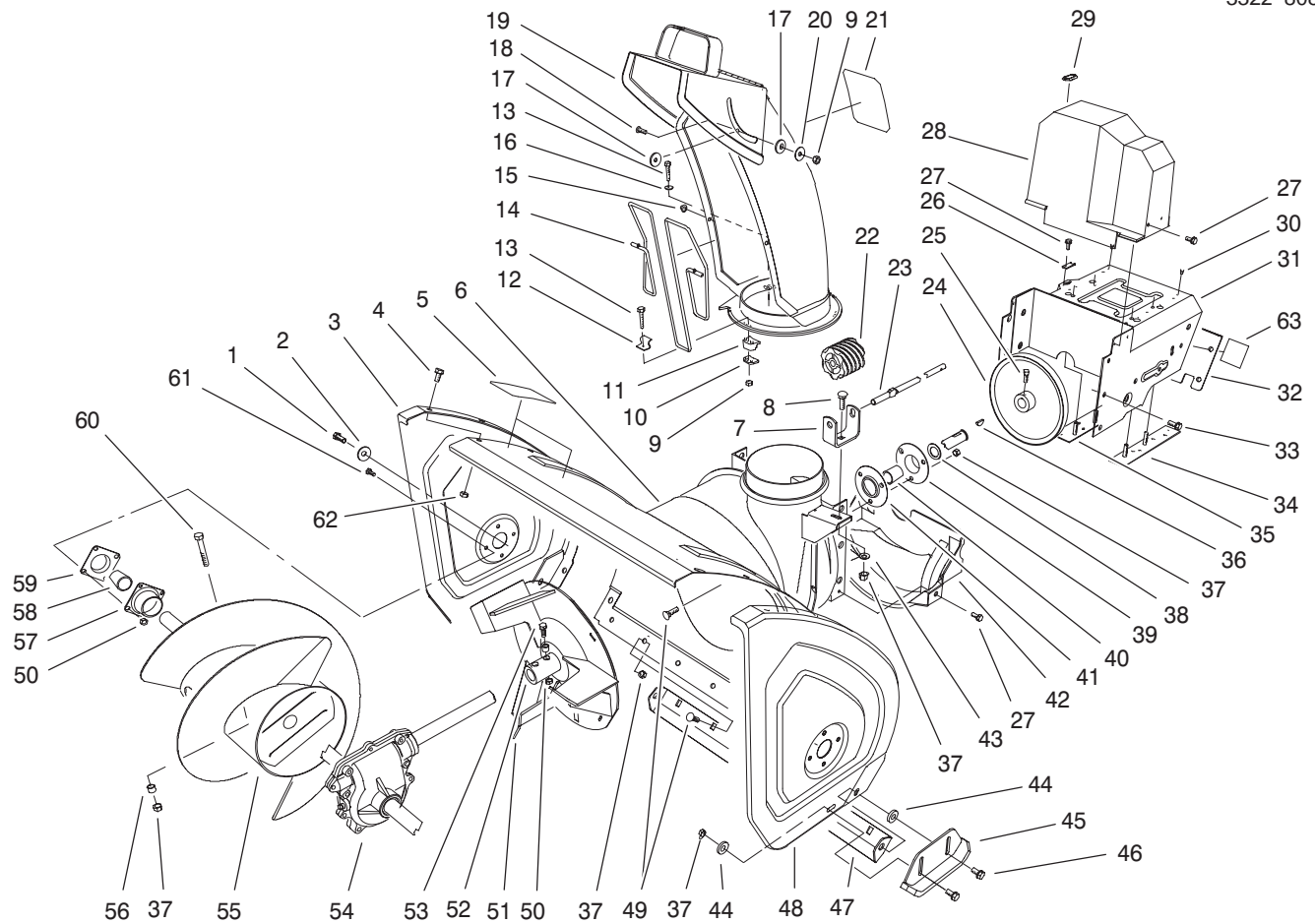
## Accessories

Description	Model / Part No.	Description	Model / Part No.
Snow Cab .....	68-9500	230 Vac Electric Starter Kit	
Weight Kit		(model 38079 only) .....	38041
(Required with Snow Cab 68-9500) ....	74-1190	Tire Chain Kit .....	56-2700
Light Kit (model 38079 only) .....	66-7941	Differential Kit (model 38079 only) .....	38038
Drift Breaker .....	66-7960		

## Part Description Abbreviations

Part descriptions in this catalog may include the following abbreviations.

Abbreviation	Meaning	Abbreviation	Meaning
AR .....	as required	INC .....	incorporated
ASM .....	assembly	LH .....	left hand
CARR .....	carriage	NI .....	nylon insert
DEG .....	degrees	PPH .....	Phillips pan head
FH .....	flat head	PTH .....	Phillips truss head
GA .....	gauge	PTO .....	power take off
HF .....	hex flange	RH .....	right hand
HH .....	hex head	SFH .....	slotted fillister head
HHF .....	hex head flange	SHH .....	slotted hex head
HLH .....	hex lag head	SQH .....	square head
HJ .....	hex jam	SHWH .....	slotted hex washer head
HOC .....	height-of-cut	SPH .....	slotted pan head
HS .....	hex socket	SRH .....	slotted round head
HSBH .....	hex socket button head	STD .....	standard
HSFH .....	hex socket flat head	TAP .....	self tapping
HSH .....	hex socket head	TTH .....	Torx truss head
HWH .....	hex washer head	WH .....	wing head
HWHTF .....	hex washer head thread forming		



Sheet No.:2

## Housing and Engine Frame Assembly

Ref. No.	Part No.	Qty.	Description
1	323-4	2	Screw-HH
2	3-0750	2	Washer
3	66-7821-01	1	Plate-Side, RH
4	3234-28	12	Screw-HHF
6	95-2664	1	Auger Housing ASM (only on: 38079)
6	95-2663	1	Auger Housing ASM (only on: 38547)
6:2	94-2568	1	Decal-Warning, Auger (only on: 38079)
6:2	53-7670	1	Decal-Warning, Auger (only on: 38547)
7	63-2180	1	Bracket-Worm, Chute
8	3230-2	1	Screw-CARR
9	3296-2	4	Nut-Lock
10	63-2670	3	Plate-Retainer, Chute
11	62-1430	3	Retainer-Chute
12	63-3130	1	Clip-Guard, Chute
13	3274-13	3	Screw-HSH
14	63-3020	1	Guard-Chute
15	3290-326	2	Nut-Push
16	3256-14	1	Washer-Flat
17	63-2900	2	Washer-Plastic
18	32122-32	1	Screw
19	95-2661	1	Chute (only on: 38547)

Ref. No.	Part No.	Qty.	Description
19	95-2662	1	Chute (only on: 38079)
19:2	94-8079	1	Decal-Danger (only on: 38547)
19:2	94-2558	1	Decal - Danger Discharge (only on: 38079)
20	3256-61	1	Washer-Flat
22	62-0820	1	Gear-Worm
23	62-1720	1	Rod-Chute, Lower
24	62-1300	1	Pulley-Impeller
25	3242-4	2	Screw-SQH Set
26	63-2300	1	Retainer-Cable
27	32144-4	5	Screw-HH
28	63-2080	1	Cover-Belt, Upper
29	63-3290	1	Cover-Cable
30	3269-23	4	Rivet-Pop
31	100-5450	1	Engine Frame ASM (only on: 38547)
31	100-5451	1	Engine Frame ASM (only on: 38079)
31:2	66-6860	1	Decal-Warning (only on: 38547)
31:2	94-2575	1	Decal-Adjustment (only on: 38079)
32	62-1440-01	1	Cover-Frame, Engine



Sheet No.:2

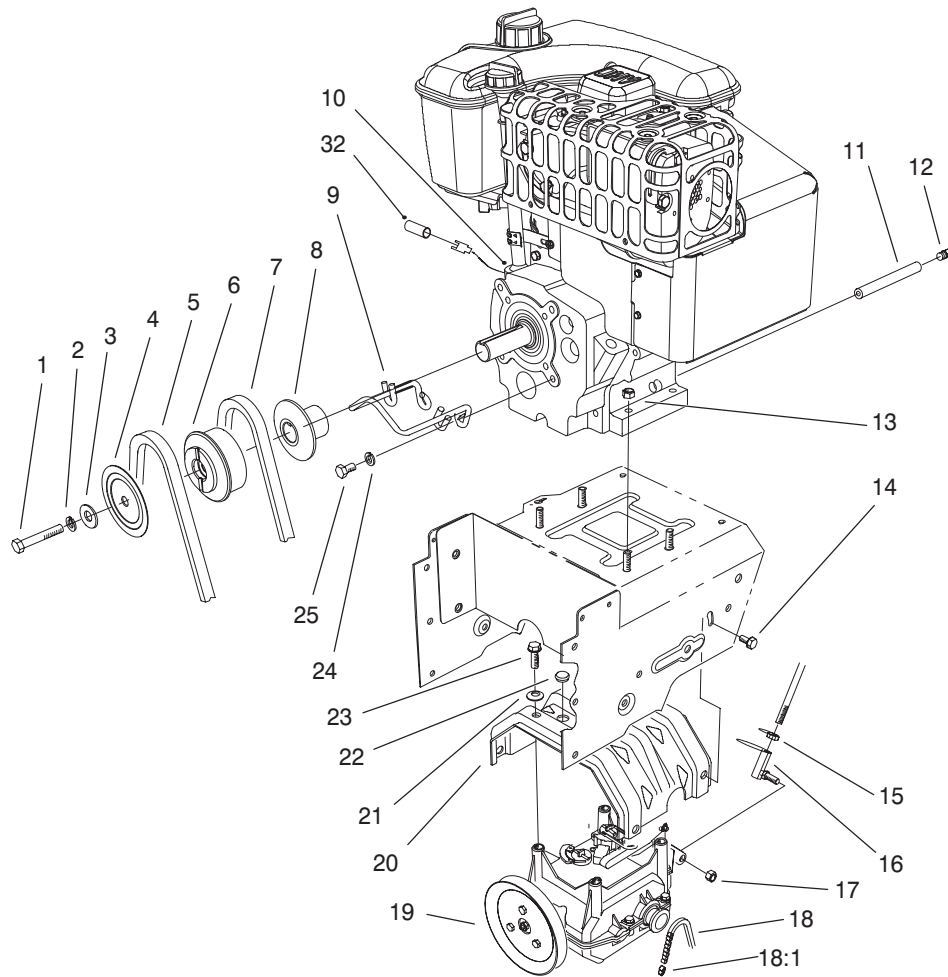
## Housing and Engine Frame Assembly (Continued)

Ref. No.	Part No.	Qty.	Description
33	32144-14	6	Screw-HWH
34	68-4110	1	LH Frame Plate ASM
35	68-4100	1	RH Frame Plate ASM
36	3257-23	1	Key-Woodruff
37	3296-29	14	Nut-Lock
38	252-80	1	Bearing-Thrust
39	26-6110	1	Flange-Cup, Bearing
40	63-3450	1	Bearing-Ball
41	26-6120	1	Flange-Cup, Bearing
42	68-8410	1	Cover-Belt, Lower
43	3256-23	1	Washer-Flat
44	52-2861	4	Washer
45	74-1440-01	2	Skid ASM
46	3234-5	4	Screw-HHF
47	66-7762-01	1	Scraper Blade ASM
48	66-7831-01	1	Plate-Side, LH
49	3230-23	9	Screw-CARR
50	3296-42	10	Nut-Lock
51	66-7910-03	1	Blade Impeller ASM
52	66-8010	2	Spacer-Hub, Impeller
53	321-44	2	Screw-HHF
54	74-1560	1	Auger Gearcase ASM
55	68-7450-03	1	Auger ASM, RH
*55	68-7460-03	1	Auger ASM, LH
56	25-5090	2	Spacer-Hub, Auger
57	20-0990	2	Bearing-Flange, Front

Ref. No.	Part No.	Qty.	Description
58	20-0980	2	Bearing
59	20-1000	2	Bearing-Flange, Rear
60	322-12	2	Screw-HH
61	321-3	8	Screw-HH
62	3296-47	12	Nut-Lock Ni
63	68-9390	1	Decal (only on: 38547)

\* Not illustrated





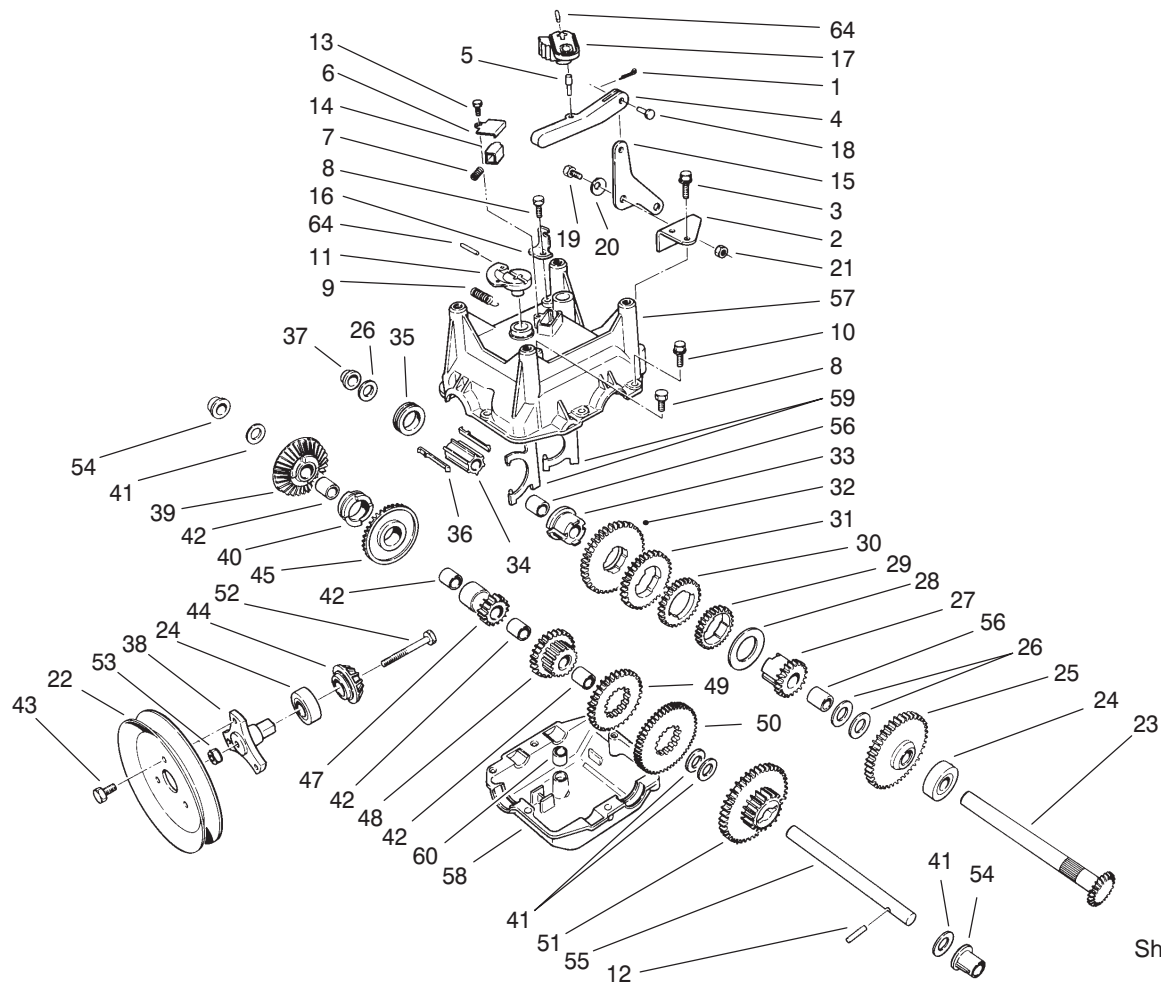
Sheet No.:3

## Engine and Transmission Assembly

Ref. No.	Part No.	Qty.	Description
1	3212-8	1	Screw-HH
2	3253-6	1	Washer-Lock/Sp
3	3256-41	1	Washer-Flat
4	62-0940	1	Sheave-Half, Impeller
5	63-2961	1	Belt-Impeller
6	62-0930	1	Pulley-Engine, Center
7	63-2951	1	Belt-Traction
8	62-0920	1	Sheave-Half, Traction
9	100-3432	1	Guide-Belt
10		1	Engine-9hp Tecumseh Ohsk90-221412a (only on: 38079)
10		1	Engine-9hp Tecumseh Ohsk90-221413a (only on: 38547)
*10:2	99-9300	1	Cord-Extention (only on: 38547)
11	289-34	1	Nipple-Pipe
12	288-2	1	Cap-Pipe
13	32128-20	4	Nut-HF
14	3234-7	4	Screw-HHF
15	3220-3	1	Nut-Jam
16	78-2920	1	Ball-Joint
17	3296-6	1	Nut-Lock Ni
18	63-2940	1	Chain
18:1	2710-15	1	Link-Offset

Ref. No.	Part No.	Qty.	Description
19	66-8030	1	Traction Gearcase ASM
20	63-2990-03	1	Transmission Frame ASM
21	3290-461	4	Washer-Spring
22	95-7947	2	Cap-Plug
23	11-0590	4	Screw-Thread Forming
24	3253-4	2	Washer-Lock/Sp
25	3210-3	2	Screw-HH
26	3256-41	2	Washer-Flat
27	2710-15	1	Link-Offset
32	94-2782	1	Cap-Wire, Lite

\* Not illustrated

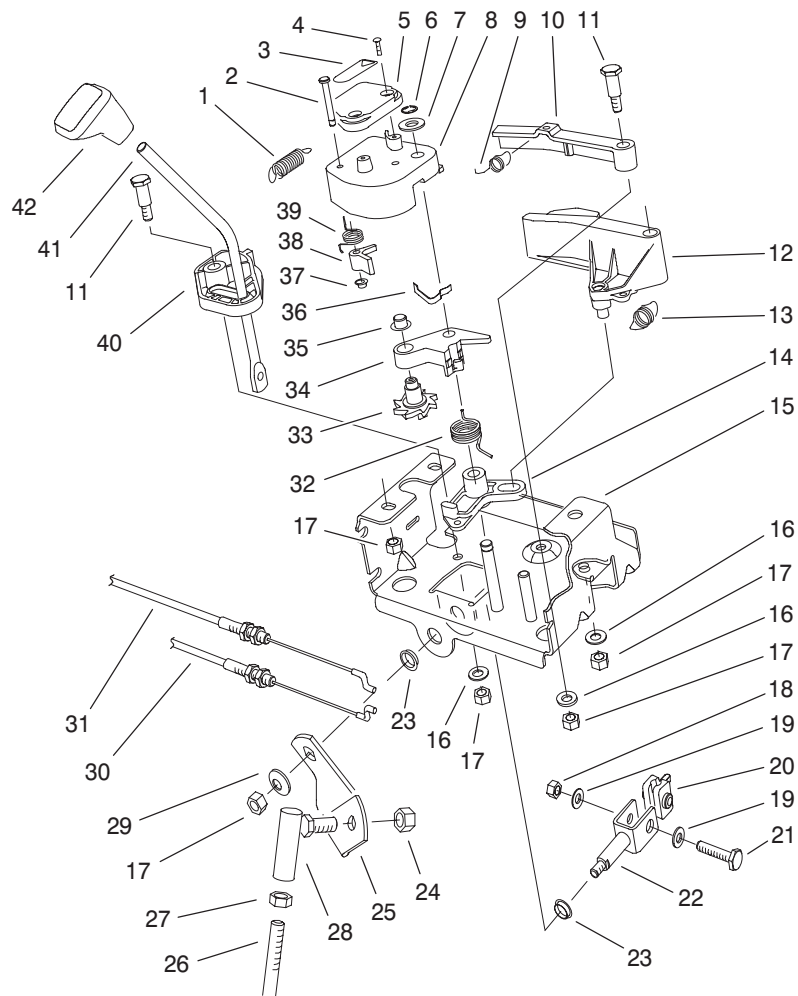


Sheet No.:A2  
C-2850

## Traction Gearcase Assembly No. 66-8030

Ref. No.	Part No.	Qty.	Description	Ref. No.	Part No.	Qty.	Description
1	3272-1	1	Pin-Cotter	27	62-0340	1	Gear-Sleeve, 19 T
2	62-1190	1	Bracket-Bellcrank	28	63-2280	1	Washer-Thrust
3	32104-95	2	Screw-HWH	29	62-0250	1	Gear, 29 T
4	62-0860	1	Link-Shift, Gear	30	62-0200	1	Gear, 27 T
5	63-2190	1	Pin-Link, Gear Shift	31	62-0220	1	Gear, 34 T
6	62-1690	1	Cover-Detent	32	62-0240	1	Gear, 45 T
7	63-2890	1	Spring-Detent	33	62-0320	1	Sleeve-Gear
8	32144-4	2	Screw-HH	34	68-4320	1	Sleeve-Shift
9	63-2920	1	Spring-Extension	35	62-0430	1	Collar-Shift
10	32144-86	6	Screw-HH	36	62-0310	2	Key
11	62-0880	1	Lever	37	62-1180	1	Bushing-Flange, Output
12	32121-106	1	Pin-Spring	38	62-0380	1	Hub-Pulley
13	32104-71	1	Screw-HWH	39	67-5860	1	Gear-Bevel, Rev, 36 T
14	62-1020	1	Button-Detent	40	67-5880	1	Collar-Shift
15	63-2600	1	Bellcrank	41	257-10	4	Washer-Thrust
16	62-1740	1	Bracket-Cable, F/R	42	62-1160	4	Bushing
17	62-0870	1	Lever-Shift, Gear	43	12-3270	3	Screw
18	283-3	1	Pin-Clevis	44	62-0350	1	Pinion-Bevel
19	63-3410	1	Screw-Shoulder	45	67-5870	1	Gear-Bevel, 36 T
20	3290-477	1	Washer-Curved	47	62-0500	1	Gear-Bevel, 15 T
21	3296-42	1	Nut-Lock	48	68-4310	1	Gear, 26 T
22	62-1310	1	Traction-Sheave, Half	49	62-0210	1	Gear, 33 T
23	62-1080	1	Shaft-Output	50	62-0260	1	Gear, 51 T
24	38-7820	2	Bearing-Ball	51	62-0360	1	Gear, 19/41 T
25	62-0370	1	Gear, 41 T	52	321-15	1	Screw-HH
26	252-59	3	Bearing-Thrust				

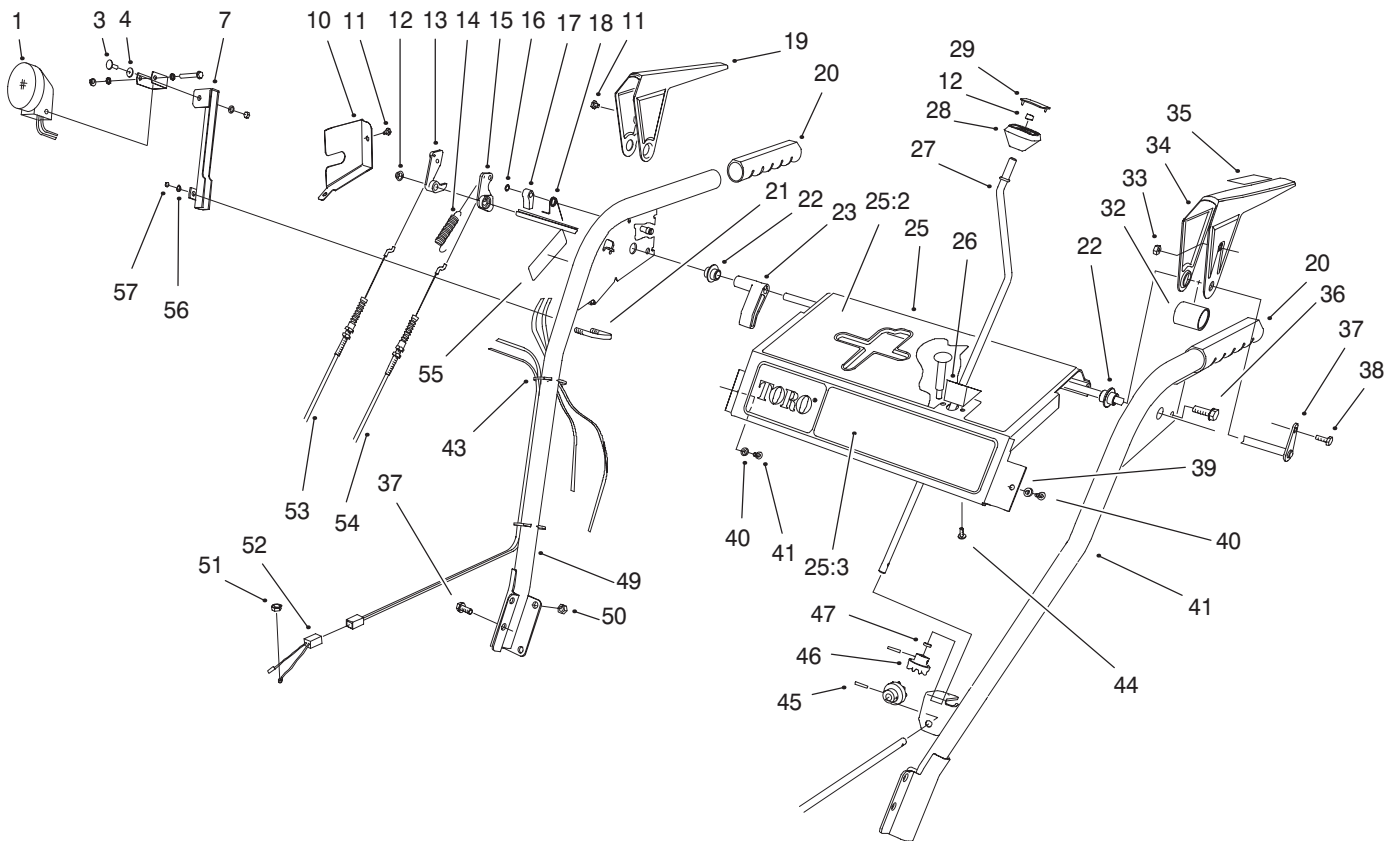




Sheet No.:4

## Power Shift Control Assembly

Ref. No.	Part No.	Qty.	Description	Ref. No.	Part No.	Qty.	Description
1	63-2220	1	Spring-Extension	26	63-2830	1	Rod-Bent Shift, Lower
2	63-2610	1	Pin-Tang	27	3220-3	1	Nut-Jam
3	63-2480	1	Decal-Number 2	28	78-2920	1	Ball-Joint
4	94-6961	2	Screw	29	3290-456	1	Washer-Belleville
5	62-1140	1	Cover-Latch	30	63-2210	1	Cable-Gearbox
6	32120-46	1	Ring-Retaining	31	63-2200	1	Cable-Arm, Latch
7	257-9	1	Washer-Thrust	32	63-2270	1	Spring-Torsion
8	62-1100	1	Lever Latch	33	62-0170	1	Wheel-Index
9	63-2240	1	Spring-Extension	34	62-1110	1	Lever-Wheel, Index
10	62-1700	1	Lever-Lockout	35	3290-320	1	Retainer-Push On
11	63-2650	2	Screw-Shoulder	36	62-1710	1	Spring-Flat
12	62-1130	1	Lever-Reverse	37	3290-422	1	Nut-Push
13	63-2230	1	Spring-Extension	38	62-0180	1	Tang-Index
14	62-1120	1	Lever-Reverse, Switch	39	62-1650	1	Spring-Torsion
15	63-2150-03	1	Control Frame ASM	40	62-1470	1	Base-Lockout
16	3256-23	3	Washer-Flat	41	67-9240	1	Rod-Shift
17	3296-29	7	Nut-Lock	42	62-1290	1	Knob-Shift
18	3296-42	1	Nut-Lock				
19	3256-1	2	Washer-Flat				
20	67-9250	1	Retainer-Rod, Shift				
21	321-9	1	Screw-HH				
22	66-7730	1	Clevis ASM				
23	256-296	2	Bushing				
24	3296-6	1	Nut-Lock Ni				
25	63-2630	1	Bracket-Shift				



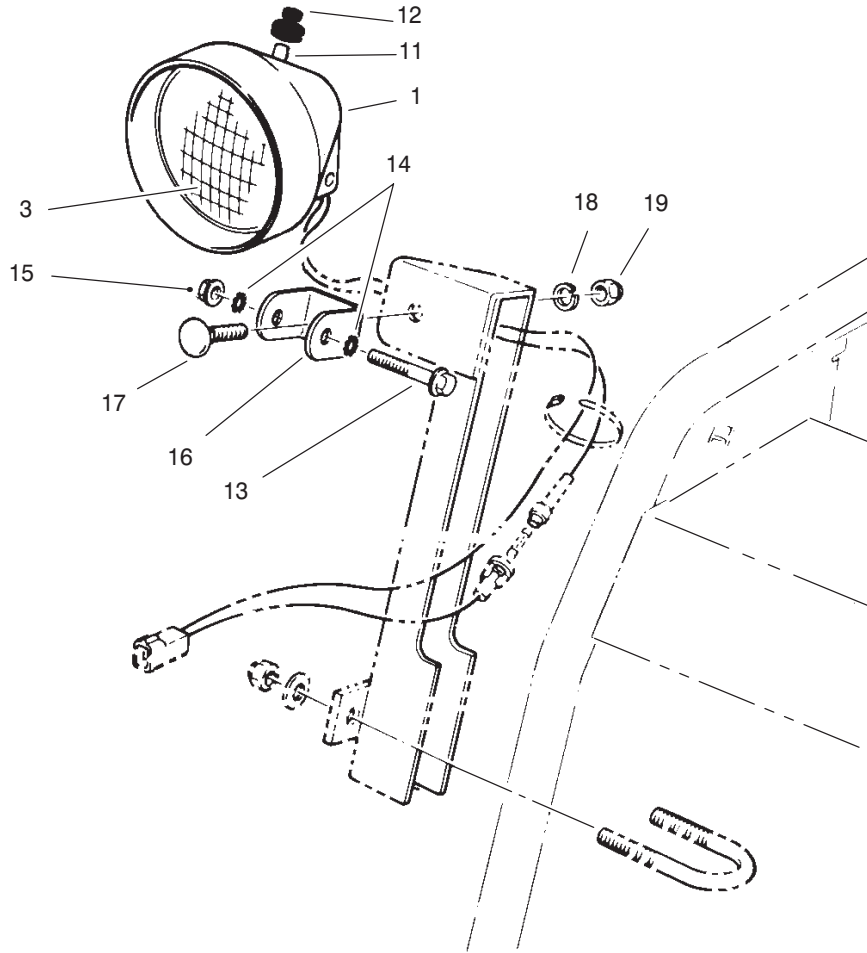
Sheet No.:5

## Handle and Control Assembly

Ref. No.	Part No.	Qty.	Description
1		1	Headlamp ASM (only on: 38079)
3	3231-2	1	Screw-CARR (only on: 38079)
4	3256-26	1	Washer-Flat (only on: 38079)
7	68-7110-03	1	Mount-Light (only on: 38079)
10	63-2170-03	1	Cover-Lock, Lever
11	2210-250	3	Screw-HH
12	3290-320	2	Retainer-Push On
13	62-0300	1	Tang-Locking
14	88-0810	1	Spring-Extension
15	62-0290	1	Cam-Release
16	32151-66	1	E-Ring-Retainer
17	62-0280	1	Latch-Locking
18	63-2910	1	Spring-Torsion
19	62-1050-03	1	Lever-Traction, RH
20	66-7850	2	Grip-Handle
21	68-7140	1	U-Bolt (only on: 38079)
22	62-1070	2	Bushing-Lever
23	62-1640	1	Lever-Trip
25	100-3574	1	Control Panel ASM (only on: 38547)

Ref. No.	Part No.	Qty.	Description
25	100-3575	1	Control Panel ASM (only on: 38079)
25:2	99-3229	1	Decal-Control (only on: 38079)
25:2	99-3230	1	Decal-Top, Panel (only on: 38547)
25:3	100-3438	1	Decal-Front Panel (924) (only on: 38079)
25:3	100-3335	1	Decal-Front Panel (only on: 38547)
26	62-1490	1	Plate-Guide
27	63-2160	1	Crank-Rod, Chute
28	62-1320	1	Knob-Control, Chute
29	62-1520	1	Cover-Knob
32	63-3380	1	Spacer-Lever, Traction
33	3296-2	1	Nut-Lock
34	62-1060-03	1	Lever-Traction, LH
35	63-3050	1	Decal-Lever (only on: 38547)
36	32144-14	6	Screw-HWH
37	63-2030	1	Cross Rod ASM
38	3290-359	1	Screw-HWH
39	3256-14	2	Washer-Flat
40	32104-76	2	Screw-Acorn Slot
41	66-8091-03	1	LH Handle ASM



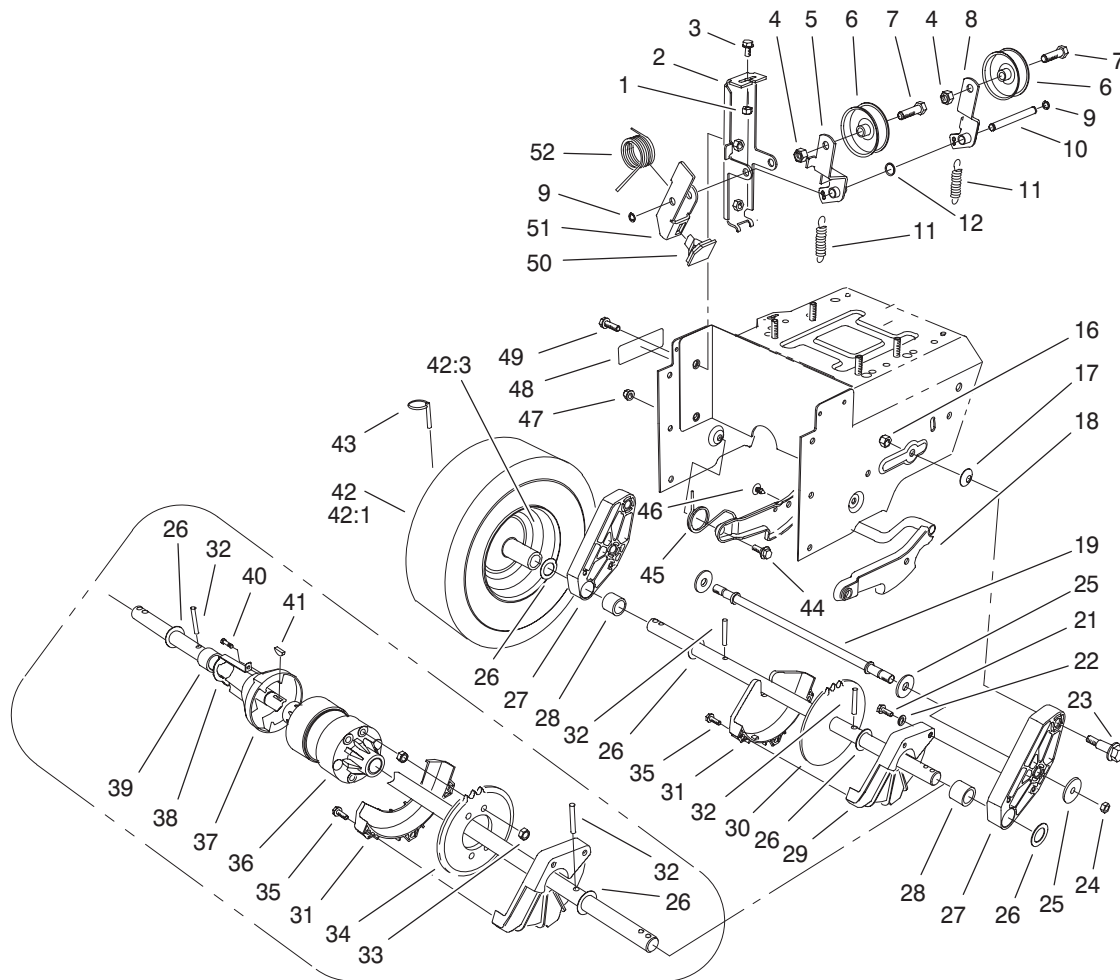


Sheet No.:A3  
C-2851

### Headlamp Assembly No. 54-9871 (only on: 38079)

Ref. No.	Part No.	Qty.	Description
1	218-552	1	Bucket-Headlamp (only on: 38079)
3	218-16	1	Beam-Sealed (only on: 38079)
11	218-553	1	Switch ASM (only on: 38079)
12	92-6033	1	Boot-Switch (only on: 38079)
13	322-13	1	Screw-HH (only on: 38079)
14	3255-8	2	Washer-Lock/Ext (only on: 38079)
15	32128-35	1	Nut-Hex, Flange (only on: 38079)
16	218-556	1	Bracket (only on: 38079)
17	3231-22	1	Screw-CARR (only on: 38079)
18	3253-21	1	Washer-Lock/Sp (only on: 38079)
19	3217-7	1	Nut-Hex (only on: 38079)

Ref. No.	Part No.	Qty.	Description



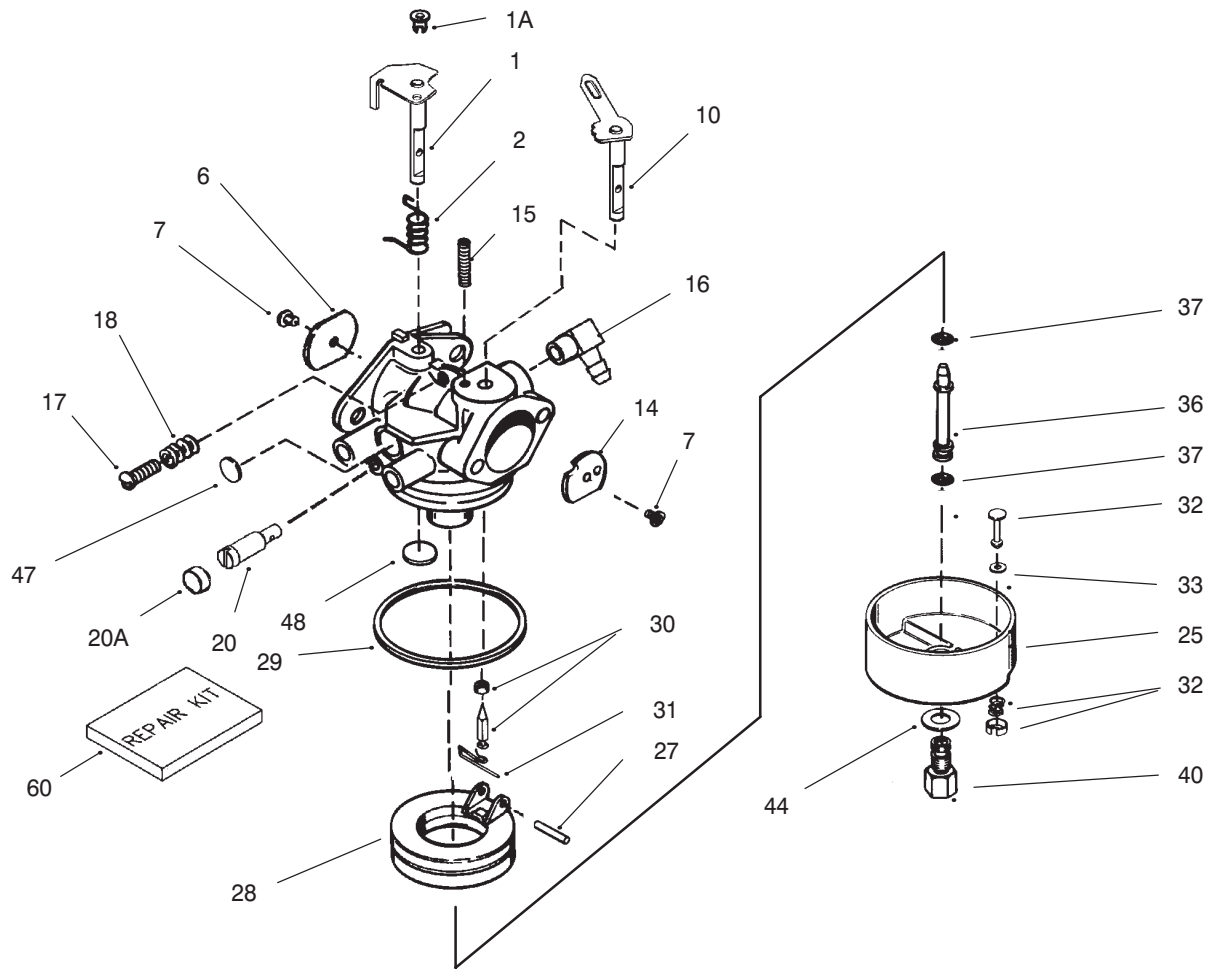
Sheet No.:6

## Lower Traction Assembly

Ref. No.	Part No.	Qty.	Description
1	3296-42	1	Nut-Lock
2	63-2850	1	Idler Arm Bracket ASM
3	3234-13	1	Screw-HHF
4	3296-59	2	Nut-Lock Ni
5	93-8046	1	Impeller Idler Arm ASM
6	3-4244	2	Pulley-Idler
7	323-7	2	Screw-HH
8	93-8045	1	Traction Idler Arm ASM
9	32120-46	2	Ring-Retaining
10	62-0970	1	Pin-Idler
11	63-2870	2	Spring-Extension
12	3256-38	1	Washer-Flat
16	3296-39	2	Nut-Lock Ni
17	3290-461	2	Washer-Spring
18	62-0470-03	1	Latch ASM
19	66-7720	1	Rod-Latch
21	32144-4	2	Screw-HH
22	3256-1	2	Washer-Flat
23	62-1330	2	Bolt-Shoulder
24	3296-23	2	Nut-Lock Ni
25	63-3340	4	Washer-Support
26	252-80	4	Bearing-Thrust
27	66-7740	2	Pivot Arm ASM
28	63-2250	2	Bushing-Axle

Ref. No.	Part No.	Qty.	Description
29	62-1010	1	Guard-Chain, LH
30	63-2111	1	Axle ASM (only on: 38079)
31	62-1000	1	Guard-Chain, RH (only on: 38079)
31	68-9310	1	Guard-Chain (only on: 38547)
32	32121-9	2	Pin-Spring
33	3296-47	6	Nut-Lock Ni (only on: 38547)
34	68-9271	1	27t Sprocket (only on: 38547)
35	94-4496	3	Screw-Pan Hd
36	68-9200	1	Differential Assembly (only on: 38547)
37	68-9250	1	Coupling-Differential (only on: 38547)
38	68-9260	1	Locknut-Spring (only on: 38547)
39	95-7930	1	Spacer (only on: 38547)
40	32144-73	1	Screw-HWH (only on: 38547)
41	3257-41	2	Key-Woodruff (only on: 38547)
42		2	Wheel And Tire ASM





### Carburetor No. 640169

Ref. No.	Part No.	Qty.	Description
1	632777	1	Throttle Shaft & Lever ASM
1A	36288	1	Bushing
2	631970	1	Throttle Return Spring
6	640109	1	Throttle Shutter
7	650506	4	Shutter Screw
10	632778	1	Choke Shaft & Lever ASM
14	631753	1	Choke Shutter
15	630735	1	Choke Positioning Spring
16	632527	1	Fuel Fitting
17	651025	1	Idle Speed Screw
18	630766	1	Tension Spring
20	640027	1	Idle Restrictor Screw
20A	640053	1	Idle Restrictor Screw Cap
25	632594A	1	Float Bowl ASM (Incl. Ref.# 32 & 33)
27	631024	1	Float Shaft
28	632019	1	Float
29	631028	1	Float Bowl O-Ring
30	631021	1	Inlet Needle, Seat, Clip (Incl. Ref.# 31)
31	631022	1	Spring Clip
32	27136A	1	Bowl Drain ASM

Ref. No.	Part No.	Qty.	Description
33	27554	1	Drain Plunger Gasket
36	640013	1	Main Nozzle Tube
37	632547	2	O-Ring, Main Nozzle Tube
40	640170	1	High Speed Bowl Nut
44	27110A	1	Bowl Nut Washer
47	630748	1	Welch Plug, Idle Mixture Well
48	631027	1	Welch Plug, Vent
60	632760	1	Repair Kit

Obtain Parts From Tecumseh



## Engine Assembly OHSK 90-221413A (Only on: 38547)

Ref. No.	Part No.	Qty.	Description	Ref. No.	Part No.	Qty.	Description
1	27251	1	Cylinder (Incl. Ref.# 2, 20, & 72)	89	32589	1	Flywheel Key
2	27652	2	Dowel Pin	90	611093	1	Flywheel (W/Ring Gear)
3	650820	2	Screw	92	650880	1	Lock Washer
14	28277	1	Washer	93	650881	1	Flywheel Nut
14A	651057	1	Washer	100	35135	1	Solid State Ignition
15	30699C	1	Governor Rod (Incl. Ref.#15A & 15B)	101	610118	1	Spark Plug Cover
15A	30700	1	Governor Yoke	102	651024	2	Solid State Mounting Stud
15B	650494	1	Screw	103	651007	2	Screw - Torx
16	37255	1	Governor Lever	110	35187	1	Ground Wire
17	29916	1	Governor Lever Clamp	110A	37047	1	Ground Wire
18	651028	1	Screw - Torx	119	37256	1	Cylinder Head Gasket
19A	36281	1	Extension Spring	120	37258	1	Cylinder Head
20	35319	1	Oil Seal	125	36934	1	Exhaust Valve (Std.)
25	36460	1	Blower Housing Baffle	125	36936	1	Exhaust Valve (1/32)
26	650561	2	Screw	126	36935	1	Intake Valve (Std.)
28	30322	1	Lock Nut	126	36937	1	Intake Valve (1/32)
30	37272	1	Crankshaft	127	650691	6	Washer
35	29826	1	Screw	128	650690	6	Belleville Washer
36	29918	1	Lock Washer	130	650697A	6	Screw
37	29216	1	Lock Nut	135	34645	1	Spark Plug (RN4C)
38	29642	1	Retaining Ring	139	33369	1	Governor Gear Bracket
40	40011	1	Piston, Pin & Ring Set (Std.)	140	650836	1	Screw
40	40012	1	Piston, Pin & Ring Set (.010)	150	33507	2	Valve Spring
41	40009	1	Piston & Pin Ass'y (Std.) (Incl. Ref.#43)	151	33508	2	Valve Spring Keeper
41	40010	1	Piston & Pin Ass'y (.010) (Incl. Ref.#43)	153	35949	1	Push Rod Guide
42	40013	1	Ring Set (Std.)	154	650945	2	Rocker Arm Stud
42	40014	1	Ring Set (.010)	155	35950	2	Rocker Arm
43	27888	2	Piston Pin Retaining Ring	157	650947	2	Jam Nut
45	36897	1	Connecting Rod ASM (Incl. Ref.# 47 & 49)	158	35466	2	Push Rod
47	651033	2	Connecting Rod Bolt	159	35952	1	Rocker Arm Cover Gasket
48	35313	2	Valve Lifter	160	35953A	1	Rocker Arm Cover
49	36896	1	Oil Dipper	161	30063	4	Screw - Torx
50	35682A	1	Camshaft (MCR)	163	650890	2	Lock Washer
60	35316A	1	Blower Housing Extension	169	27896A	2	Valve Cover Gasket
65	30200	1	Screw	170	28423	1	Breather Body
66	30063	1	Screw - Torx	171	28424	1	Breather Element
69	35262A	1	Cylinder Cover Gasket	172	28425	1	Valve Cover
70	37273	1	Cylinder Cover (Incl. Ref.#14,15,38,71,75)	173	35350	1	Breather Tube
71	35377	1	Crankshaft Bushing	174	650128	2	Screw
72	27642	1	Oil Drain Plug	174A	651056	1	Screw
75	35319	1	Oil Seal	180	35954	1	Blower Housing Extension
80	31845	1	Governor Shaft	181	30200	2	Lock Nut
81	30590A	1	Washer	182	650517	2	Screw - Torx
82	35378	1	Governor Gear ASM	183	34583A	1	Choke Bracket
83	30588A	1	Governor Spool	184	33263	1	Carb. To Intake Pipe Gasket
84	29193	1	Retaining Ring	185	37085	1	Intake Pipe
86	650833	7	Screw	186	37261	1	Governor Link
87	650832	1	Screw				

Obtain Parts From Tecumseh



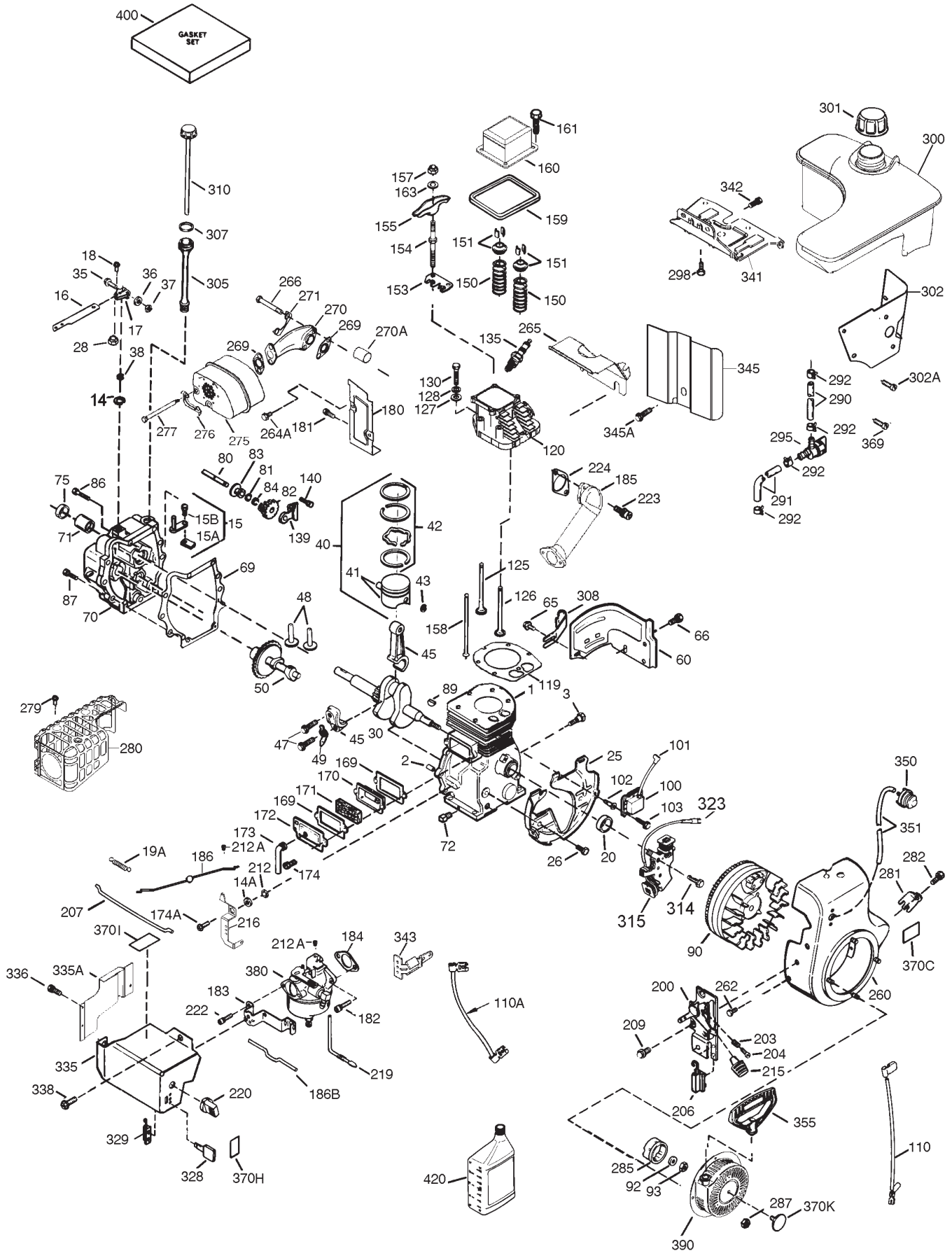
## Engine Assembly

### OHSK 90-221413A (Only on: 38547) (Continued)

Ref. No.	Part No.	Qty.	Description	Ref. No.	Part No.	Qty.	Description
186B	36653	1	Choke Spring	338	650821	4	Screw
200	35702	1	Control Bracket (Incl. Ref.#203, 204 & 206)	341	37093	1	Fuel Tank Bracket
203	31342	1	Compression Spring	342	792028	2	Screw
204	651029	1	Screw - Torx	343	35079	1	Key Switch Bracket
206	610973	1	Terminal	345	37097	1	Heat Baffle
207	37262	1	Throttle Link	345A	650821	1	Screw
209	650821	2	Screw	350	570682A	1	Primer Assembly
212	30773A	1	Bushing	351	32180C	1	Primer Line
212A	36288	2	Bushing	355	590574	1	Starter Handle
215	35440	1	Control Knob	361	650990	2	Screw-Torx
216	37260	1	Bellcrank Lever	362	32450B	1	Extension Cord
219	35689	1	Choke Rod	369	651032	2	Screw
220	35438	1	Choke Knob	370C	36501	1	Primer Decal
222	28820	2	Screw	370H	37226	1	Choke Decal
223	650971	2	Screw - Torx	370I	37119	1	Warning Decal
224	33515A	1	Intake Pipe Gasket	370K	36695	1	Emblem Decal
260	37092A	1	Blower Housing	380	640169	1	Carburetor (Incl. Ref.# 184)
262	29747B	2	Screw - Torx	390	590749	1	Rewind Starter
264A	650738	1	Screw	396	33329E	1	Electric Starter Motor (110 Volt)
265	37086	1	Cylinder Head Cover	400	37257	1	Gasket Set
266	650876	2	Screw	420	730226A	1	SAE 5W30 4-Cycle Engine Oil (Quart)
269	35762	2	Exhaust Gasket				
270	37263	1	Manifold				
270A	35829A	1	Exhaust Port Liner				
271	35293	1	Locking Plate (Manifold)				
275	37264	1	Muffler				
276	35348	1	Locking Plate				
277	650877	2	Screw				
279	651011	4	Screw				
280	37265	1	Heat Shield				
285	35985B	1	Starter Cup				
287	29752	4	Nut & Lock Washer				
290	30962	1	Fuel Line				
291	29774	1	Fuel Line				
292	26460	4	Fuel Line Clamp				
295	35857	1	Fuel Shut-Off Valve				
298	650665	2	Screw				
300	37099	1	Fuel Tank (Incl. 292 & 301)				
301	36246	1	Fuel Cap				
302	37098	1	Fuel Tank Extension				
302A	650821	3	Screw				
305	35574	1	Oil Fill Tube				
307	35499	1	O-Ring				
308	35539	1	Fill Tube Clip				
310	35700	1	Dipstick				
314	650873	2	Screw				
315	611111	1	Alternator Coil (18 Watt) (Incl. Ref.# 323)				
323	611118	2	Terminal				
328	35062	2	Ignition Keys				
329	610973	1	Terminal				
335	37096	1	Carburetor Cover				
335A	37087	1	Carburetor Cover				
336	650821	3	Screw				

Obtain Parts From Tecumseh

# Engine Assembly OHSK 90-221412A (Only on: 38079)

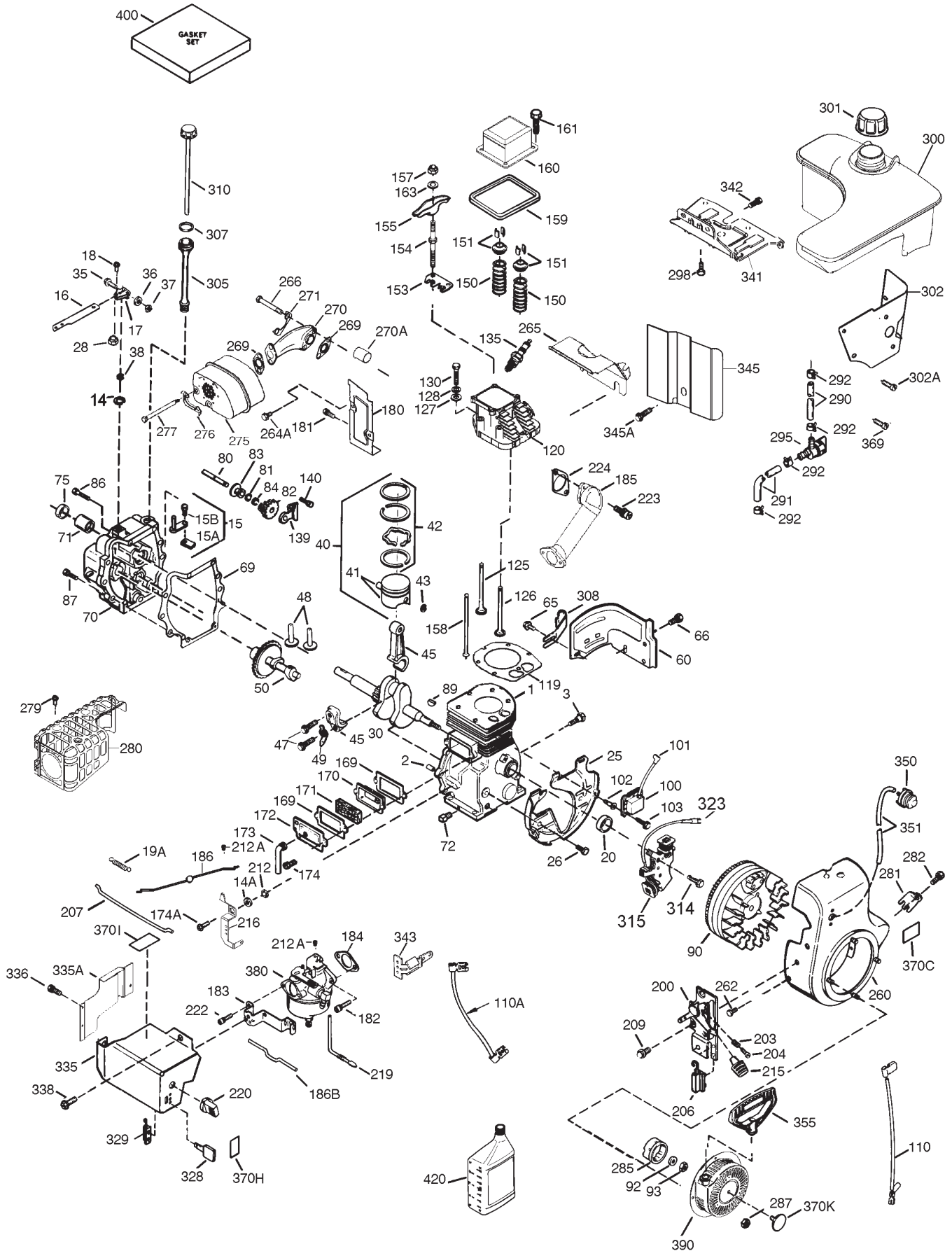


## Engine Assembly OHSK 90-221412A (Only on: 38079)

Ref. No.	Part No.	Qty.	Description	Ref. No.	Part No.	Qty.	Description
1	37251	1	Cylinder (Incl. Ref.# 2, 20 & 72)	86	650833	7	Screw
2	27652	2	Dowel Pin	87	650832	1	Screw
3	650820	2	Screw	89	32589	1	Flywheel Key
14	28277	1	Washer	90	611093	1	Flywheel (W/Ring Gear)
14A	651057	1	Washer	92	650880	1	Lock Washer
15	30699C	1	Governor Rod Ass'y (Incl. Ref.#15A & 15B)	93	650881	1	Flywheel Nut
15A	30700	1	Governor Yoke	100	35135	1	Solid State Ignition
15B	650494	1	Screw	101	610118	1	Spark Plug Cover
16	37255	1	Governor Lever	102	651024	2	Solid State Mounting Stud
17	29916	1	Governor Lever Clamp	103	651007	2	Screw - Torx
18	651028	1	Screw - Torx	110	35187	1	Ground Wire
19A	36281	1	Extension Spring	110A	37047	1	Ground Wire
20	35319	1	Oil Seal	119	37256	1	Cylinder Head Gasket
25	36460	1	Blower Housing Baffle	120	37258	1	Cylinder Head
26	650561	2	Screw	125	36934	1	Exhaust Valve (Std.)
28	30322	1	Lock Nut	125	36936	1	Exhaust Valve (1/32)
30	37272	1	Crankshaft	126	36935	1	Intake Valve (Std.)
35	29826	1	Screw	126	36937	1	Intake Valve (1/32)
36	29918	1	Lock Washer	127	650691	6	Washer
37	29216	1	Lock Nut	128	650690	6	Belleville Washer
38	29642	1	Retaining Ring	130	650697A	6	Screw
40	40011	1	Piston, Pin & Ring Set (Std.)	135	34645	1	Spark Plug (RN4C)
40	40012	1	Piston, Pin & Ring Set (.010)	139	33369	1	Governor Gear Bracket
41	40009	1	Piston & Pin Ass'y (Std.) (Incl. Ref.#43)	140	650836	1	Screw
41	40010	1	Piston & Pin Ass'y (.010) (Incl. Ref.#43)	150	33507	2	Valve Spring
42	40013	1	Ring Set (Std.)	151	33508	2	Valve Spring Keeper
42	40014	1	Ring Set (.010)	153	35949	1	Push Rod Guide
43	27888	2	Piston Pin Retaining Ring	154	650945	2	Rocker Arm Stud
45	36897	1	Connecting Rod ASM (Incl. Ref.# 47 & 49)	155	35950	2	Rocker Arm
47	651033	2	Connecting Rod Bolt	157	650947	2	Jam Nut
48	35313	2	Valve Lifter	158	35466	2	Push Rod
49	36896	1	Oil Dipper	159	35952	1	Rocker Arm Cover Gasket
50	35682A	1	Camshaft (MCR)	160	35953A	1	Rocker Arm Cover
60	35316A	1	Blower Housing Extension	161	30063	4	Screw - Torx
65	30200	1	Screw	163	650890	2	Lock Washer
66	30063	1	Screw - Torx	169	27896A	2	Valve Cover Gasket
69	35262A	1	Cylinder Cover Gasket	170	28423	1	Breather Body
70	37273	1	Cylinder Cover (Incl. Ref.#14,15,38,71,75)	171	28424	1	Breather Element
71	35377	1	Crankshaft Bushing	172	28425	1	Valve Cover
72	27642	1	Oil Drain Plug	173	35350	1	Breather Tube
75	35319	1	Oil Seal	174	650128	2	Screw
80	31845	1	Governor Shaft	174A	651056	1	Screw
81	30590A	1	Washer	180	35954	1	Blower Housing Extension
82	35378	1	Governor Gear ASM	181	30200	2	Lock Nut
83	30588A	1	Governor Spool	182	650517	2	Screw-Torx
84	29193	1	Retaining Ring	183	34583A	1	Choke Bracket
				184	33263	1	Carb. To Intake Pipe Gasket
				185	37085	1	Intake Pipe
				186	37261	1	Governor Link

Obtain Parts From Tecumseh

# Engine Assembly OHSK 90-221412A (Only on: 38079) (Continued)



## Engine Assembly

### OHSK 90-221412A (Only on: 38079) (Continued)

Ref. No.	Part No.	Qty.	Description	Ref. No.	Part No.	Qty.	Description
186B	36653	1	Choke Spring	335A	37087	1	Carburetor Cover
200	35702	1	Control Bracket (Incl. Ref.#203, 204 & 206)	336	650821	3	Screw
203	31342	1	Compression Spring	338	650821	4	Screw
204	651029	1	Screw – Torx	341	37093	1	Fuel Tank Bracket
206	610973	1	Terminal	342	792028	2	Screw
207	37262	1	Throttle Link	343	35079	1	Key Switch Bracket
209	650821	2	Screw	345	37097	1	Heat Baffle
212	30773A	1	Bushing	345A	650821	1	Screw
212A	36288	2	Bushing	350	570682A	1	Primer Assembly
215	35440	1	Control Knob	351	32180C	1	Primer Line
216	37260	1	Bellcrank Lever	355	590574	1	Starter Handle
219	35689	1	Choke Rod	370C	36501	1	Primer Decal
220	35438	1	Choke Knob	370H	37226	1	Choke Decal
222	28820	2	Screw	370I	37119	1	Warning Decal
223	650971	2	Screw – Torx	380	640169	1	Carburetor (Incl. Ref.# 184)
224	33515A	1	Intake Pipe Gasket	390	590749	1	Rewind Starter
260	37092A	1	Blower Housing	400	37257	1	Gasket Set
262	29747B	2	Screw – Torx	420	730226A	1	SAE 5W30 4-Cycle Engine Oil (Quart)
264A	650738	1	Screw				
265	37086	1	Cylinder Head Cover				
266	650876	2	Screw				
269	35762	2	Exhaust Gasket				
270	37263	1	Manifold				
270A	35829A	1	Exhaust Port Liner				
271	35293	1	Locking Plate (Manifold)				
275	37264	1	Muffler				
276	36348	1	Locking Plate				
277	650877	2	Screw				
279	651011	4	Screw				
280	37106	1	Heat Shield				
281	33013	1	Starter Bubbler Cover				
282	650760	1	Screw				
285	35985B	1	Starter Cup				
287	29752	4	Nut & Lock Washer				
290	30962	1	Fuel Line				
291	29774	1	Fuel Line				
292	26460	4	Fuel Line Clamp				
295	35857	1	Fuel Shut-Off Valve				
298	650665	2	Screw				
300	37099	1	Fuel Tank (Incl. Ref.# 292 & 301)				
301	36246	1	Fuel Cap				
302	37098	1	Fuel Tank Extension				
302A	650821	3	Screw				
305	35574	1	Oil Fill Tube				
307	35499	1	O-Ring				
308	35539	1	Fill Tube Clip				
310	35700	1	Dipstick				
314	650873	2	Screw				
315	611111	1	Alternator Coil (18 Watt) (Incl. Ref.# 323)				
323	611118	1	Terminal				
328	35062	2	Ignition Keys				
329	610973	1	Terminal				
335	37096	1	Carburetor Cover				

Obtain Parts From Tecumseh









