



824 Power Shift Snowthrower

Model No. 38543—200000001 and Up

Parts Catalog

Ordering Replacement Parts

To order replacement parts, please supply: the part number, the quantity, and the description of each part desired.

Understanding Reference Numbers

Each identified part in an illustration has a reference number. The reference number for a part also appears in the parts list, along with other information about the part.

This catalog uses two special reference number formats, one to indicate parts in a service assembly and another to indicate the quantity of a given part in an illustration.

Service Assembly Reference Numbers

Parts in service assemblies have reference numbers in the form **a:b**. The **a** represents the reference number of the entire service assembly and the **b** represents a sequential number unique to each part within the service assembly.

For example, a wheel assembly might be identified by reference number **6**, the tire by **6:1**, the valve by **6:2**, and the wheel by **6:3**. When you order the assembly identified by reference number **6**, you receive all parts identified by reference numbers **6:1**, **6:2**, and **6:3**. However, you may also order any part individually.

Reference numbers of this type appear in illustrations and in part lists.

Reference Numbers Indicating Quantity

In an illustration, if a reference number indicates more than one part, the reference number has the form **nX y**. The **n** represents the quantity of the part, the **X** is the multiplication symbol, and the **y** represents the reference number.

For example, in an illustration, the reference number **2X 37** means that two of the parts identified by reference number **37** are indicated.

Contents

Description	Page	Description	Page
Housing and Engine Frame Assembly	3	Handle and Control Assembly	10
Auger Gearcase Assembly No. 74-1560	5	Lower Traction Assembly	11
Engine and Transmission Assembly	6	Engine Assembly	12
Traction Gearcase Assembly No. 66-8030	7	Carburetor No. 640052	16
Power Shift Control Assembly	9	Recoil Starter No. 590749	17

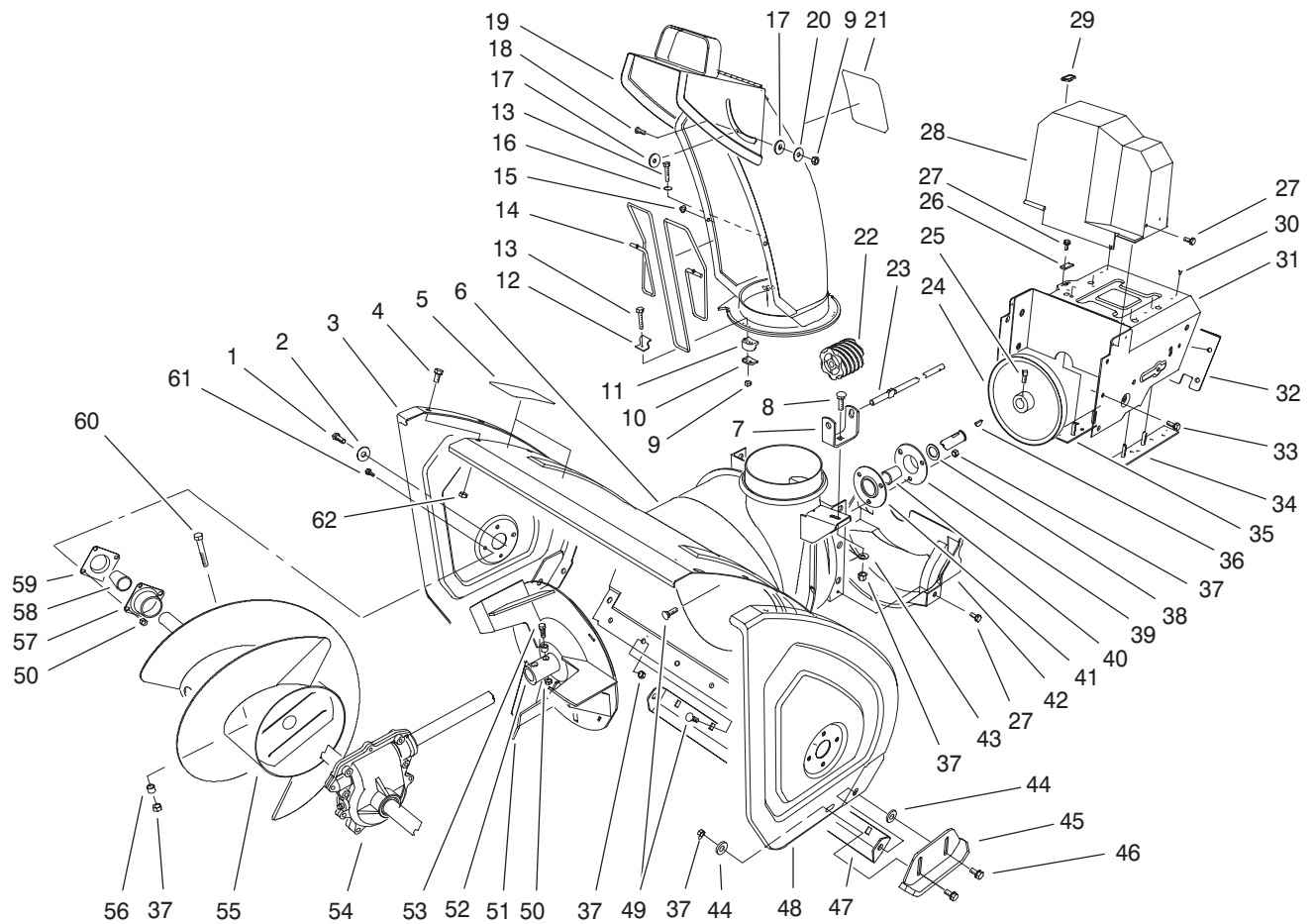
Accessories

Description	Model / Part No.	Description	Model / Part No.
110 Vac Electric Starter Kit (UL listed & CSA approved for Canada only	38039	Light Kit	66-7941
Snow Cab	68-9500	Tire Chain Kit	56-2700
Drift Breaker	66-7960	Differential Kit	38038
Weight Kit (Required with Snow Cab 68-9500)	74-1190	230 Volt Electric Start Kit	38041

Part Description Abbreviations

Part descriptions in this catalog may include the following abbreviations.

Abbreviation	Meaning	Abbreviation	Meaning
AR	as required	INC	incorporated
ASM	assembly	LH	left hand
CARR	carriage	NI	nylon insert
DEG	degrees	PPH	Phillips pan head
FH	flat head	PTH	Phillips truss head
GA	gauge	PTO	power take off
HF	hex flange	RH	right hand
HH	hex head	SFH	slotted fillister head
HHF	hex head flange	SHH	slotted hex head
HLH	hex lag head	SQH	square head
HJ	hex jam	SHWH	slotted hex washer head
HOC	height-of-cut	SPH	slotted pan head
HS	hex socket	SRH	slotted round head
HSBH	hex socket button head	STD	standard
HSFH	hex socket flat head	TAP	self tapping
HSH	hex socket head	TTH	Torx truss head
HWH	hex washer head	WH	wing head
HWHTF	hex washer head thread forming		

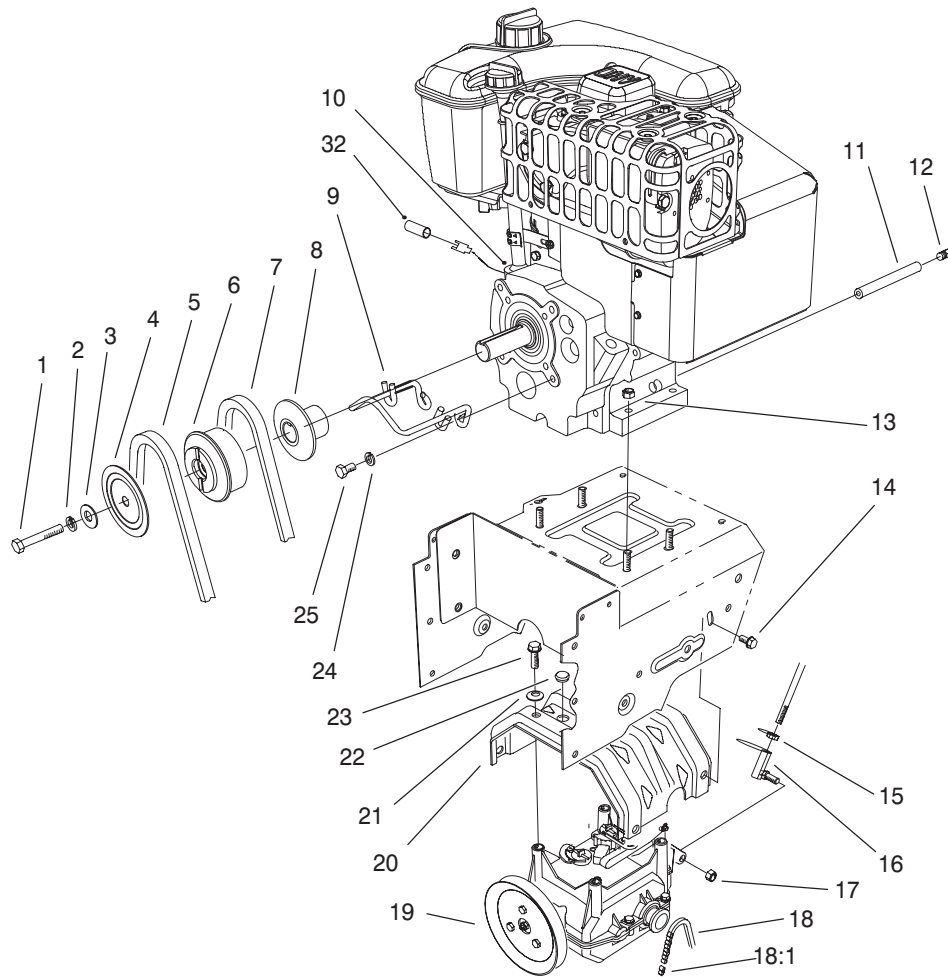


Sheet No.:2

Housing and Engine Frame Assembly

Ref. No.	Part No.	Qty.	Description
1	323-4	2	Screw-HH
2	3-0750	2	Washer
3	66-7821-01	1	Plate-Side, RH
4	3234-28	12	Screw-HHF
6	95-2664	1	Auger Housing ASM
6:2	94-2568	1	Decal-Warning, Auger
7	63-2180	1	Bracket-Worm, Chute
8	3230-2	1	Screw-CARR
9	3296-2	4	Nut-Lock
10	63-2670	3	Plate-Retainer, Chute
11	62-1430	3	Retainer-Chute
12	63-3130	1	Clip-Guard, Chute
13	3274-13	3	Screw-HSH
14	63-3020	1	Guard-Chute
15	3290-326	2	Nut-Push
16	3256-14	1	Washer-Flat
17	63-2900	2	Washer-Plastic
18	32122-32	1	Screw
19	95-2662	1	Chute
19:2	94-2558	1	Decal - Danger Discharge
20	3256-61	1	Washer-Flat
22	62-0820	1	Gear-Worm
23	62-1720	1	Rod-Chute, Lower
24	62-1300	1	Pulley-Impeller
25	3242-4	2	Screw-SQH Set

Ref. No.	Part No.	Qty.	Description
26	63-2300	1	Retainer-Cable
27	32144-4	5	Screw-HH
28	63-2080	1	Cover-Belt, Upper
29	63-3290	1	Cover-Cable
30	3269-23	4	Rivet-Pop
31	100-5451	1	Engine Frame ASM
31:2	94-2575	1	Decal-Adjustment
32	62-1440-01	1	Cover-Frame, Engine
33	32144-14	6	Screw-HWH
34	68-4110	1	LH Frame Plate ASM
35	68-4100	1	RH Frame Plate ASM
36	3257-23	1	Key-Woodruff
37	3296-29	14	Nut-Lock
38	252-80	1	Bearing-Thrust
39	26-6110	1	Flange-Cup, Bearing
40	63-3450	1	Bearing-Ball
41	26-6120	1	Flange-Cup, Bearing
42	68-8410	1	Cover-Belt, Lower
43	3256-23	1	Washer-Flat
44	52-2861	4	Washer
45	74-1440-01	2	Skid ASM
46	3234-5	4	Screw-HHF
47	66-7762-01	1	Scraper Blade ASM
48	66-7831-01	1	Plate-Side, LH
49	3230-23	9	Screw-CARR
50	3296-42	10	Nut-Lock

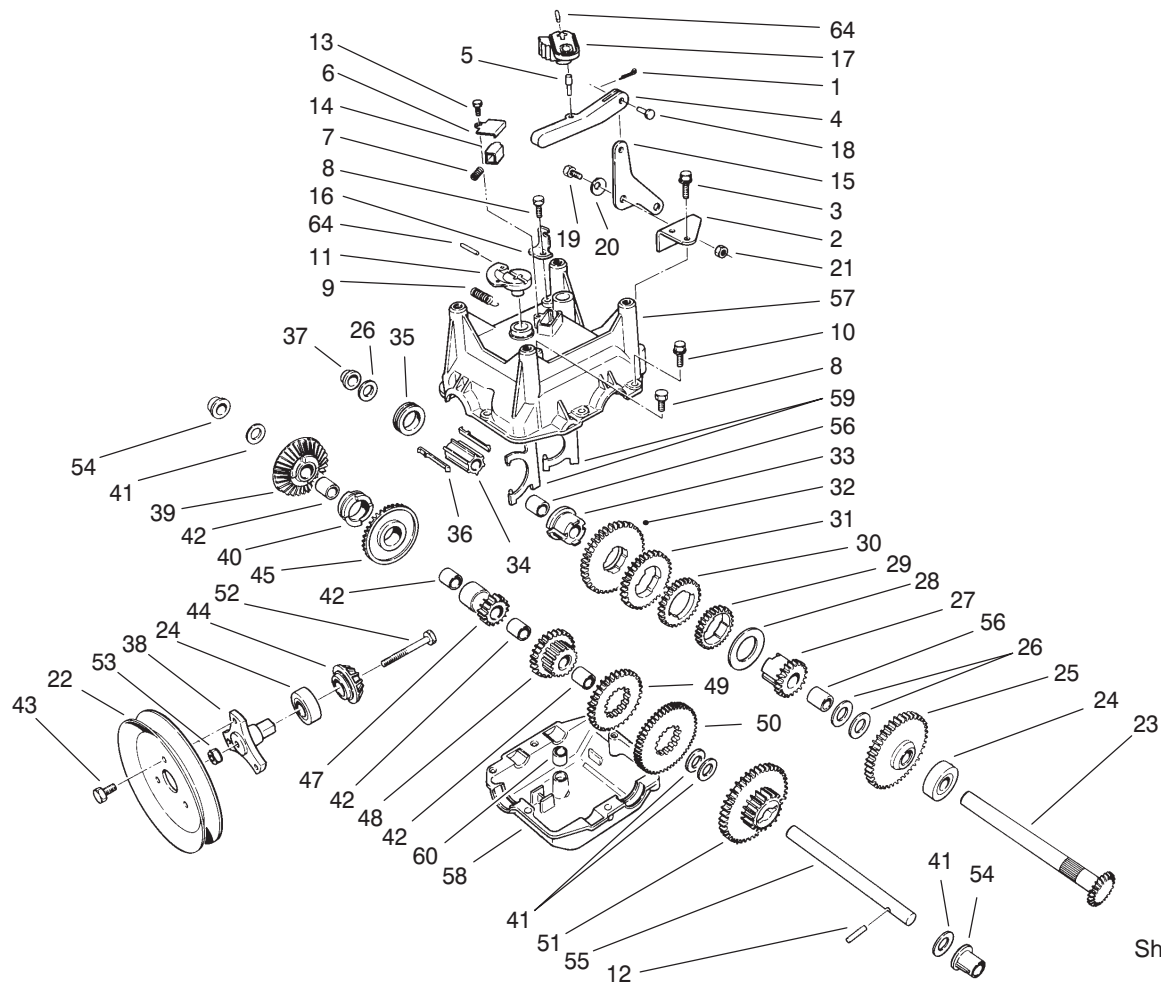


Sheet No.:3

Engine and Transmission Assembly

Ref. No.	Part No.	Qty.	Description
1	3212-8	1	Screw-HH
2	3253-6	1	Washer-Lock/Sp
3	3256-41	1	Washer-Flat
4	62-0940	1	Sheave-Half, Impeller
5	63-2961	1	Belt-Impeller
6	62-0930	1	Pulley-Engine, Center
7	63-2951	1	Belt-Traction
8	62-0920	1	Sheave-Half, Traction
9	100-3432	1	Guide-Belt
10		1	Engine-8hp, Tecumseh Hmsk80-155645v
11	289-34	1	Nipple-Pipe
12	288-2	1	Cap-Pipe
13	32128-20	4	Nut-HF
14	3234-7	4	Screw-HHF
15	3220-3	1	Nut-Jam
16	78-2920	1	Ball-Joint
17	3296-6	1	Nut-Lock Ni
18	63-2940	1	Chain
18:1	2710-15	1	Link-Offset
19	66-8030	1	Traction Gearcase ASM
20	63-2990-03	1	Transmission Frame ASM
21	3290-461	4	Washer-Spring

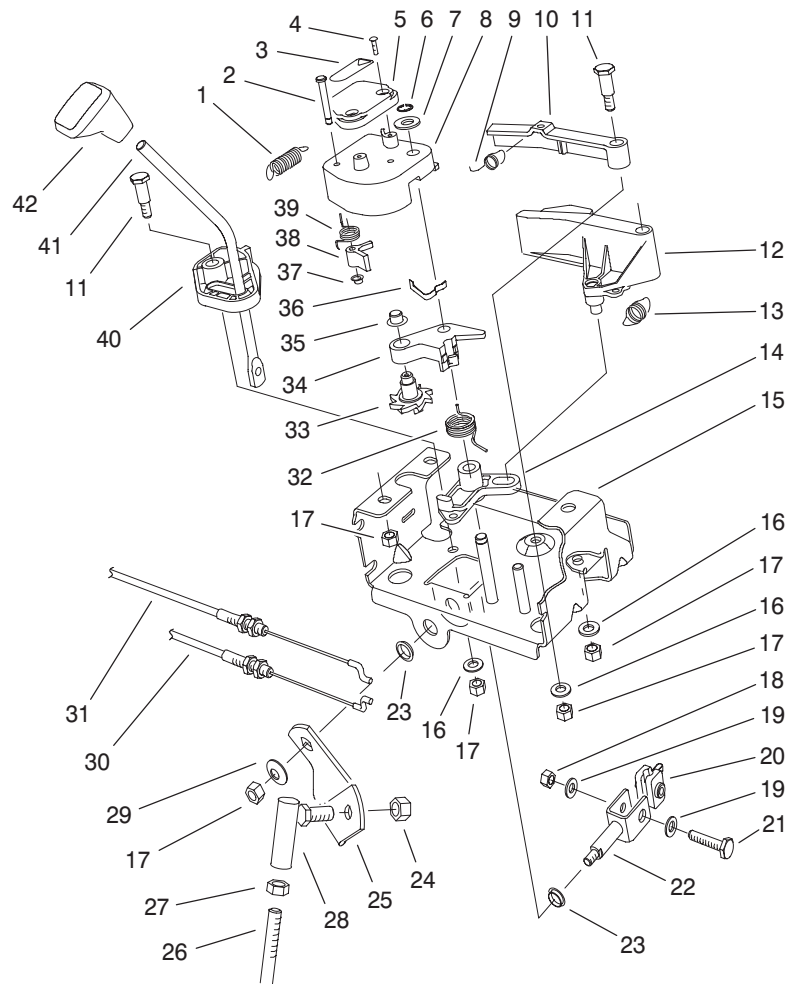
Ref. No.	Part No.	Qty.	Description
22	95-7947	2	Cap-Plug
23	11-0590	4	Screw-Thread Forming
24	3253-4	2	Washer-Lock/Sp
25	3210-3	2	Screw-HH
26	3256-41	2	Washer-Flat
27	2710-15	1	Link-Offset
32	94-2782	1	Cap-Wire, Lite



Sheet No.:A2
C-2850

Traction Gearcase Assembly No. 66-8030

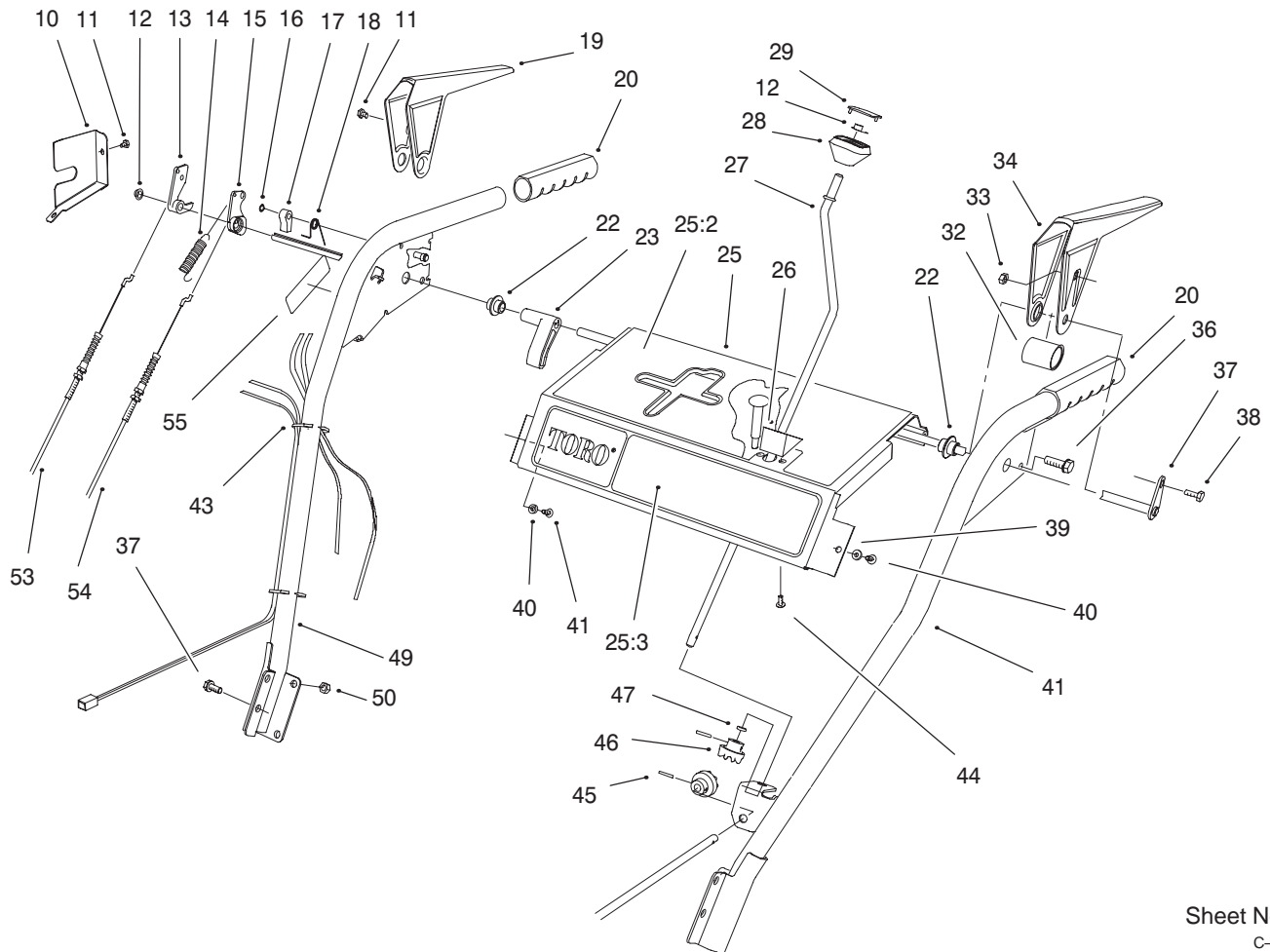
Ref. No.	Part No.	Qty.	Description	Ref. No.	Part No.	Qty.	Description
1	3272-1	1	Pin-Cotter	27	62-0340	1	Gear-Sleeve, 19 T
2	62-1190	1	Bracket-Bellcrank	28	63-2280	1	Washer-Thrust
3	32104-95	2	Screw-HWH	29	62-0250	1	Gear, 29 T
4	62-0860	1	Link-Shift, Gear	30	62-0200	1	Gear, 27 T
5	63-2190	1	Pin-Link, Gear Shift	31	62-0220	1	Gear, 34 T
6	62-1690	1	Cover-Detent	32	62-0240	1	Gear, 45 T
7	63-2890	1	Spring-Detent	33	62-0320	1	Sleeve-Gear
8	32144-4	2	Screw-HH	34	68-4320	1	Sleeve-Shift
9	63-2920	1	Spring-Extension	35	62-0430	1	Collar-Shift
10	32144-86	6	Screw-HH	36	62-0310	2	Key
11	62-0880	1	Lever	37	62-1180	1	Bushing-Flange, Output
12	32121-106	1	Pin-Spring	38	62-0380	1	Hub-Pulley
13	32104-71	1	Screw-HWH	39	67-5860	1	Gear-Bevel, Rev, 36 T
14	62-1020	1	Button-Detent	40	67-5880	1	Collar-Shift
15	63-2600	1	Bellcrank	41	257-10	4	Washer-Thrust
16	62-1740	1	Bracket-Cable, F/R	42	62-1160	4	Bushing
17	62-0870	1	Lever-Shift, Gear	43	12-3270	3	Screw
18	283-3	1	Pin-Clevis	44	62-0350	1	Pinion-Bevel
19	63-3410	1	Screw-Shoulder	45	67-5870	1	Gear-Bevel, 36 T
20	3290-477	1	Washer-Curved	47	62-0500	1	Gear-Bevel, 15 T
21	3296-42	1	Nut-Lock	48	68-4310	1	Gear, 26 T
22	62-1310	1	Traction-Sheave, Half	49	62-0210	1	Gear, 33 T
23	62-1080	1	Shaft-Output	50	62-0260	1	Gear, 51 T
24	38-7820	2	Bearing-Ball	51	62-0360	1	Gear, 19/41 T
25	62-0370	1	Gear, 41 T	52	321-15	1	Screw-HH
26	252-59	3	Bearing-Thrust				



Sheet No.:4

Power Shift Control Assembly

Ref. No.	Part No.	Qty.	Description	Ref. No.	Part No.	Qty.	Description
1	63-2220	1	Spring-Extension	26	63-2830	1	Rod-Bent Shift, Lower
2	63-2610	1	Pin-Tang	27	3220-3	1	Nut-Jam
3	63-2480	1	Decal-Number 2	28	78-2920	1	Ball-Joint
4	94-6961	2	Screw	29	3290-456	1	Washer-Belleville
5	62-1140	1	Cover-Latch	30	63-2210	1	Cable-Gearbox
6	32120-46	1	Ring-Retaining	31	63-2200	1	Cable-Arm, Latch
7	257-9	1	Washer-Thrust	32	63-2270	1	Spring-Torsion
8	62-1100	1	Lever Latch	33	62-0170	1	Wheel-Index
9	63-2240	1	Spring-Extension	34	62-1110	1	Lever-Wheel, Index
10	62-1700	1	Lever-Lockout	35	3290-320	1	Retainer-Push On
11	63-2650	2	Screw-Shoulder	36	62-1710	1	Spring-Flat
12	62-1130	1	Lever-Reverse	37	3290-422	1	Nut-Push
13	63-2230	1	Spring-Extension	38	62-0180	1	Tang-Index
14	62-1120	1	Lever-Reverse, Switch	39	62-1650	1	Spring-Torsion
15	63-2150-03	1	Control Frame ASM	40	62-1470	1	Base-Lockout
16	3256-23	3	Washer-Flat	41	67-9240	1	Rod-Shift
17	3296-29	7	Nut-Lock	42	62-1290	1	Knob-Shift
18	3296-42	1	Nut-Lock				
19	3256-1	2	Washer-Flat				
20	67-9250	1	Retainer-Rod, Shift				
21	321-9	1	Screw-HH				
22	66-7730	1	Clevis ASM				
23	256-296	2	Bushing				
24	3296-6	1	Nut-Lock Ni				
25	63-2630	1	Bracket-Shift				



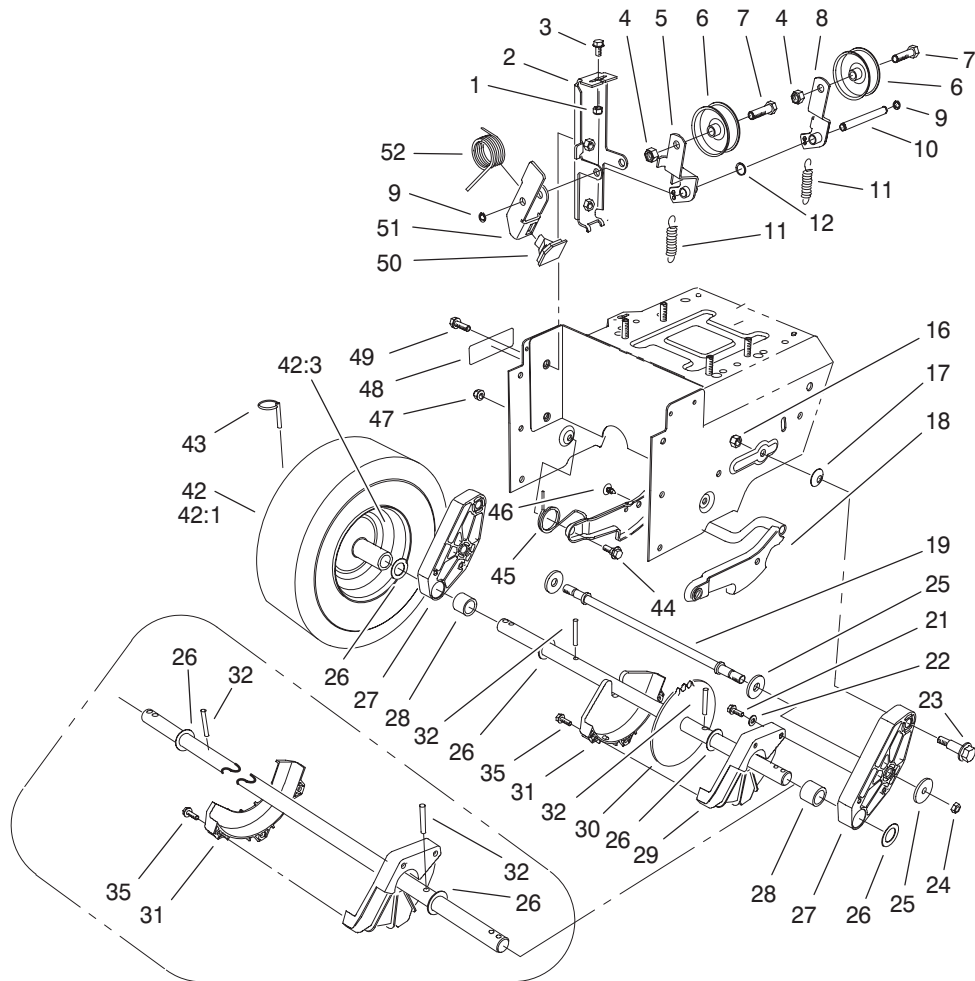
Sheet No.:5

C-2855

Handle and Control Assembly

Ref. No.	Part No.	Qty.	Description
10	63-2170-03	1	Cover-Lock, Lever
11	2210-250	3	Screw-HH
12	3290-320	2	Retainer-Push On
13	62-0300	1	Tang-Locking
14	88-0810	1	Spring-Extension
15	62-0290	1	Cam-Release
16	32151-66	1	E-Ring-Retainer
17	62-0280	1	Latch-Locking
18	63-2910	1	Spring-Torsion
19	62-1050-03	1	Lever-Traction, RH
20	66-7850	2	Grip-Handle
22	62-1070	2	Bushing-Lever
23	62-1640	1	Lever-Trip
25	99-5969	1	Control Panel/Decal ASM (38543)
25:2	99-3229	1	Decal-Control
25:3	63-2510	1	Decal-Front Panel (824)
26	62-1490	1	Plate-Guide
27	63-2160	1	Crank-Rod, Chute
28	62-1320	1	Knob-Control, Chute
29	62-1520	1	Cover-Knob
32	63-3380	1	Spacer-Lever, Traction
33	3296-2	1	Nut-Lock
34	62-1060-03	1	Lever-Traction, LH

Ref. No.	Part No.	Qty.	Description
36	32144-14	6	Screw-HWH
37	63-2030	1	Cross Rod ASM
38	3290-359	1	Screw-HWH
39	3256-14	2	Washer-Flat
40	32104-76	2	Screw-Acorn Slot
41	66-8091-03	1	LH Handle ASM
43	3290-378	2	Tie-Cable
44	94-6961	2	Screw
45	32121-50	2	Pin-Spring
46	62-1460	2	Gear-Universal
47	62-1230	1	Washer-Rubber
49	100-3598	1	Handle ASM
49:2	94-2575	1	Decal-Adjustment
50	3296-47	4	Nut-Lock Ni
53	63-2700	1	Cable-Impeller
54	63-2710	1	Cable-Traction



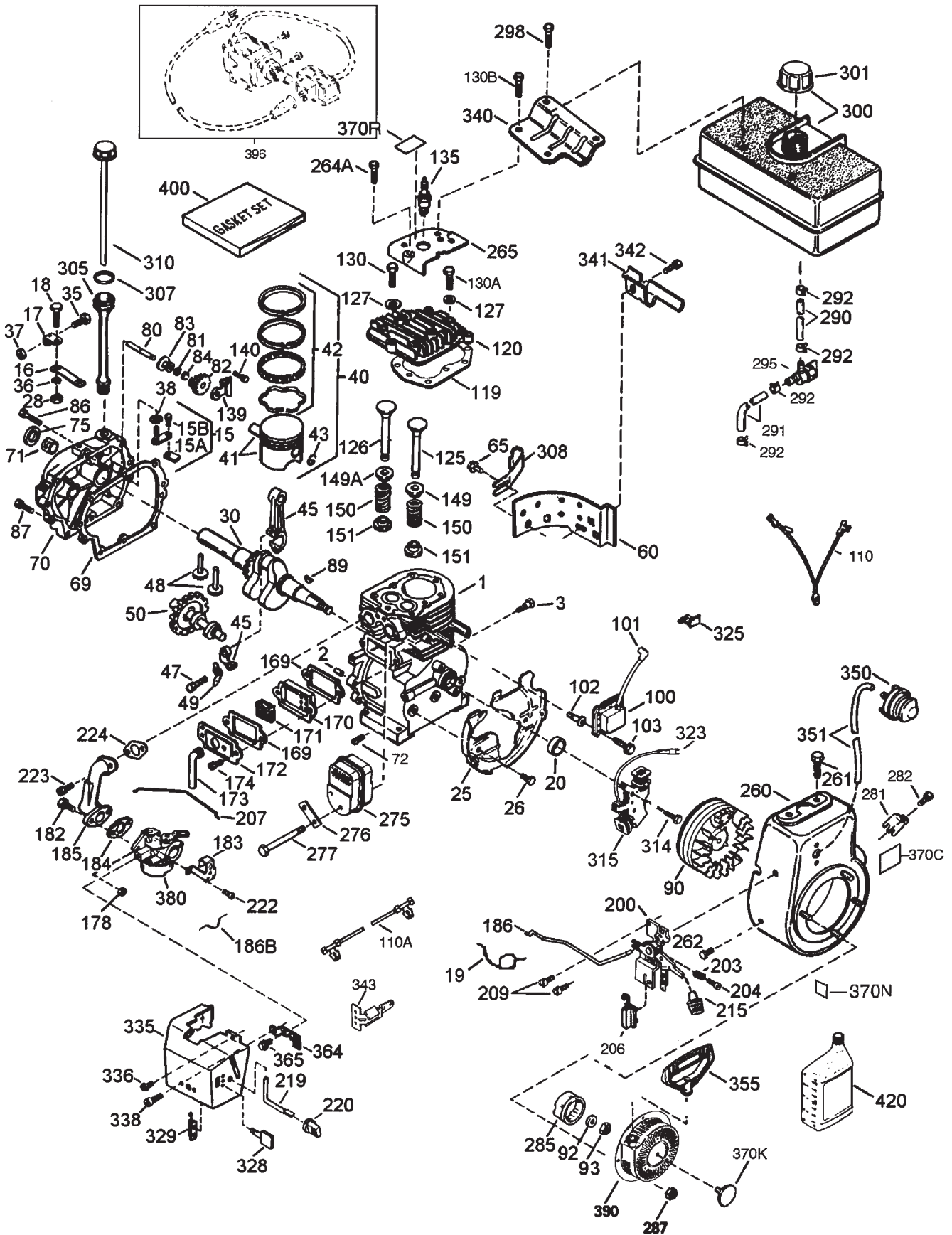
Sheet No.:6
C-2856

Lower Traction Assembly

Ref. No.	Part No.	Qty.	Description	Ref. No.	Part No.	Qty.	Description
1	3296-42	1	Nut-Lock	29	62-1010	1	Guard-Chain, LH
2	63-2850	1	Idler Arm Bracket ASM	30	63-2111	1	Axle ASM
3	3234-13	1	Screw-HHF	31	62-1000	1	Guard-Chain, RH
4	3296-59	2	Nut-Lock Ni	32	32121-9	2	Pin-Spring
5	93-8046	1	Impeller Idler Arm ASM	35	94-4496	3	Screw-Pan Hd
6	3-4244	2	Pulley-Idler	42		2	Wheel And Tire ASM
7	323-7	2	Screw-HH	42:1	231-120	1	Tire
8	93-8045	1	Traction Idler Arm ASM	*42:2	232-46	1	Tube
9	32120-46	2	Ring-Retaining	42:3	241-128	1	Wheel
10	62-0970	1	Pin-Idler	43	3290-243	2	Pin-Lynch
11	63-2870	2	Spring-Extension	44	5-2490	2	Screw-Shoulder
12	3256-38	1	Washer-Flat	45	63-2740	1	Spring-Latch, Torsion
16	3296-39	2	Nut-Lock Ni	46	3290-476	1	Fastener-Panel
17	3290-461	2	Washer-Spring	47	3296-47	2	Nut-Lock Ni
18	62-0470-03	1	Latch ASM	49	3234-7	2	Screw-HHF
19	66-7720	1	Rod-Latch	50	66-8060	1	Pad-Brake
21	32144-4	2	Screw-HH	51	63-2810	1	Arm-Brake
22	3256-1	2	Washer-Flat	52	63-2880	1	Spring-torsion
23	62-1330	2	Bolt-Shoulder				
24	3296-23	2	Nut-Lock Ni				
25	63-3340	4	Washer-Support				
26	252-80	4	Bearing-Thrust				
27	66-7740	2	Pivot Arm ASM				
28	63-2250	2	Bushing-Axle				

* Not illustrated

Engine Tecumseh HMSK80-155645V

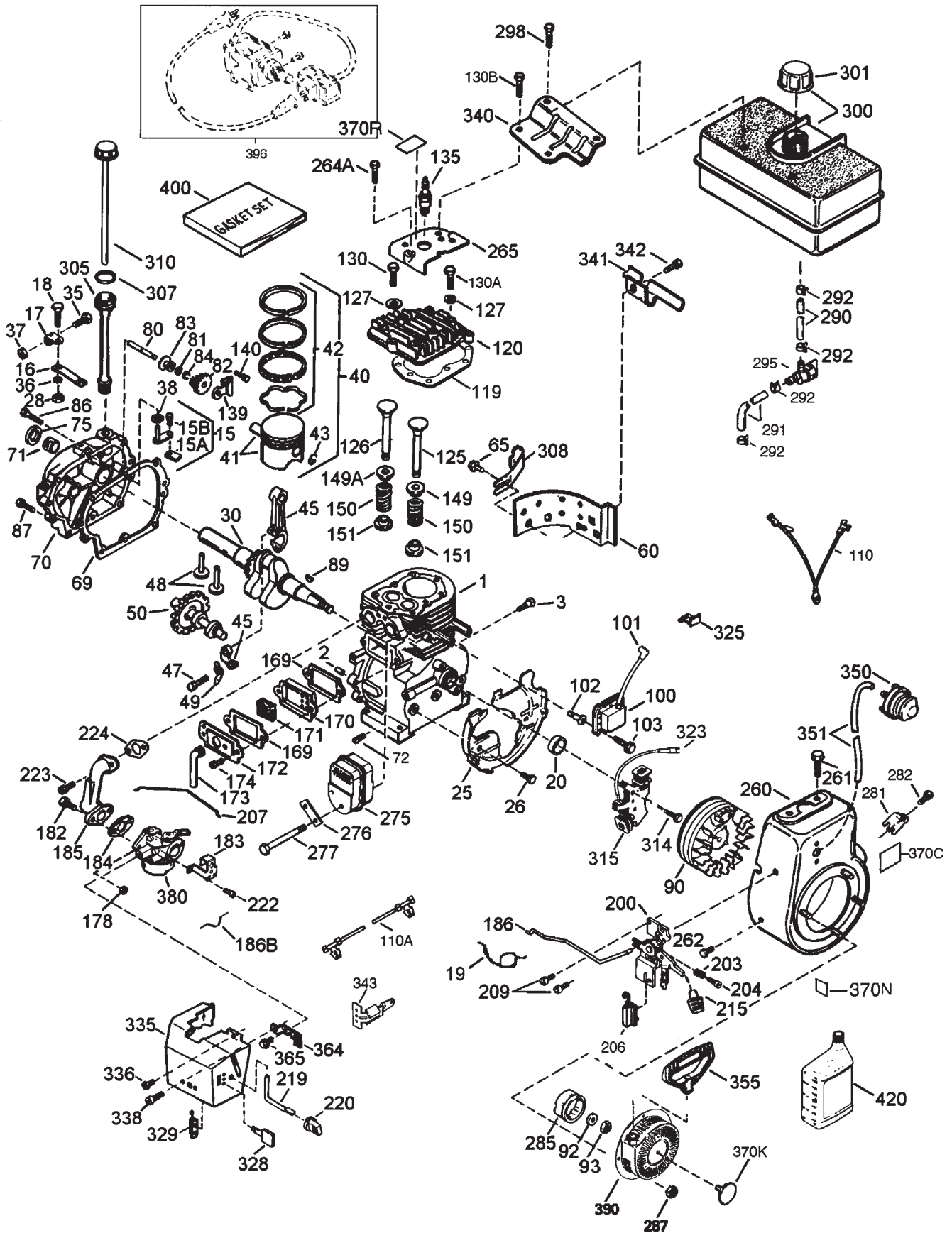


Engine Tecumseh HMSK80-155645V

Ref. No.	Part No.	Qty.	Description	Ref. No.	Part No.	Qty.	Description
1	35385	1	Cylinder Asm (Incl. Ref. #2, 20, & 72)	90	611093	1	Flywheel (W/Ring Gear)
2	27652	2	Dowel Pin	92	650880	1	Lock Washer
3	650820	2	Screw	93	650881	1	Flywheel Nut
15	30699C	1	Governor (Incl. Ref. #15A & 15B)	100	35135	1	Solid State Ignition
15A	30700	1	Governor Yoke	101	610118	1	Spark Plug Cover
15B	650494	1	Screw	102	651024	2	Solid State Mounting Stud
16	33454	1	Governor Lever	103	651007	2	Screw, Torx T-15
17	29916	1	Governor Lever Clamp	110	35187	1	Ground Wire
18	651028	1	Screw	110A	37047	1	Ground Wire
19	34663	1	Spring-Speed Control	*119	36448	1	Cylinder Head Gasket
20	35319	1	Oil Seal	120	36449	1	Cylinder Head
25	36460	1	Blower Housing Baffle	125	27878A	1	Exhaust Valve (Std.) (Incl. Ref. #151)
26	650561	2	Screw	125	27880A	1	Exhaust valve (1/32" OS) (Incl. Ref. #151)
28	30322	1	Lock Nut	126	34035	1	Intake Valve (Std.) (Incl. Ref. #151)
30	35571A	1	Crankshaft	126	34036	1	Intake Valve (1/32" OS) (Incl. Ref. #151)
35	29826	1	Screw	127	650691	2	Washer
36	29918	1	Lock Washer	130	6021A	7	Screw
37	29216	1	Lock Nut	130A	650727	2	Screw
38	29642	1	Retaining Ring	130B	651055	2	Screw
40	40011	1	Piston, Pin & Ring Set (Std.)	135	35395	1	Resistor Spark Plug (RJ19LM)
40	40012	1	Piston, Pin & Ring Set (.010" OS)	139	33369	1	Governor Gear Bracket
41	40009	1	Piston & Pin Asm (Std.) (Incl. Ref. #43)	140	650836	2	Screw
41	40010	1	Piston & Pin Asm (.010" OS) (Incl. Ref. #43)	149	27882	1	Valve Spring Cap
42	40013	1	Ring Set (Std.)	149A	35862	1	Valve Spring Cap
42	40014	1	Ring Set (.010" OS)	150	27881	2	Valve Spring
43	27888	2	Piston Pin	151	32581	2	Valve Spring Keeper
45	36897	1	Connecting Rod Asm (Incl. Ref. #47, & 49)	*169	27896A	2	Valve Cover Gasket
47	651033	2	Connecting Rod Bolt	170	28423	1	Breather Body
48	34034	2	Valve Lifter	171	28424	1	Breather Element
49	36896	1	Oil Dipper	172	28425	1	Valve Cover
50	35375	1	Camshaft (MCR)	173	35350	1	Breather Tube
60	33273A	1	Blower Housing Extension	174	650128	2	Screw
65	650128	1	Screw	178	29752	2	Nut & Lock Washer
*69	35262A	1	Cylinder Cover Gasket	182	30088A	2	Screw
70	35376	1	Cylinder Cover (Incl. Ref. #71, 75, & 80)	183	34587A	1	Choke Bracket
71	35377	1	Crankshaft Bushing	*184	33263	1	Carburetor To Intake Pipe Gasket
72	27642	1	Oil Drain Plug	185	33877	1	Intake Pipe
75	35319	1	Oil Seal	186	34667	1	Governor Link
80	31845	1	Governor shaft	186B	36652	1	Spring-Choke
81	30590A	1	Washer				
82	35378	1	Governor Gear Asm (Incl. Ref. #81)				
83	30588A	1	Governor Spool				
84	29193	1	Retaining Ring				
86	650833	7	Screw				
87	650832	1	Screw				
89	32589	1	Flywheel Key				

Obtain parts from Tecumseh

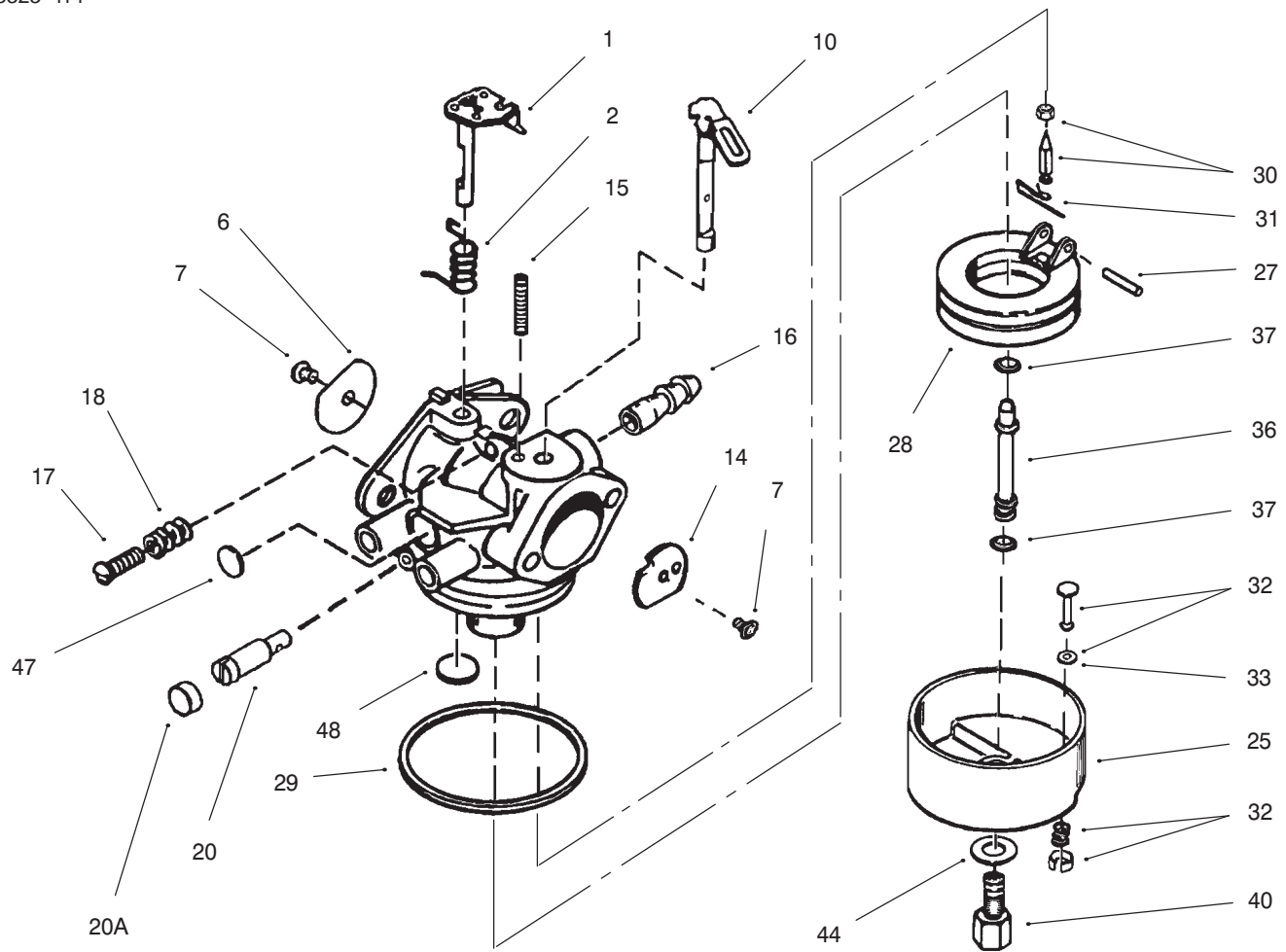
Engine Tecumseh HMSK80-155645V (Continued)



Engine Tecumseh HMSK80-155645V (Continued)

Ref. No.	Part No.	Qty.	Description	Ref. No.	Part No.	Qty.	Description
200	34677	1	Control Bracket (Incl. Ref.#19, 203, 204 & 206)	380	640052	1	Carburetor (Incl. Ref. #184)
203	31342	1	Compression Spring	390	590749	1	Rewind Starter
204	651029	1	Screw	396	37000	1	Electric Starter Motor, 120 Volt (Optional)
206	610973	1	Terminal	400	36450A	1	Gasket Set
207	33878	1	Throttle Link	420	730226	1	SAE 5W30 4-Cyc. Eng. Oil
209	650821	2	Screw				
215	35440	1	Control Knob				
219	34586	1	Choke rod				
220	35438	1	Choke Knob				
222	28820	2	Screw				
223	650378	2	Screw, Torx T-30				
*224	27915A	1	Intake Pipe Gasket				
260	35447A	1	Blower Housing				
261	650788	2	Screw				
262	29747B	2	Screw, Torx T-40				
264A	650802	1	Screw				
265	33272B	1	Cylinder Head Cover				
275	35056	1	Muffler				
276	31588	1	Locking Plate				
277	651002	2	Screw				
281	33013	1	Starter bubble Cover				
282	650760	1	Screw				
285	35985B	1	Starter Cup				
287	29752	4	Nut & Lock Washer				
290	29774	1	Fuel Line				
291	30705	1	Fuel Line				
292	26460	4	Fuel Line Clamp				
295	35857	1	Fuel shut-Off Valve				
298	650665	2	Screw				
300	34156A	1	Fuel Tank (Incl. Ref. #292 & 301)				
301	36246	1	Fuel Cap				
305	35554	1	Oil fill Tube				
307	35499	1	"O" Ring				
308	35540	1	Fill Tube Clip				
310	36205	1	Dipstick				
314	650873	1	Screw				
315	611111	1	Alternator Coil (18 Watt) (Incl. Ref. #323)				
323	611118	1	Terminal				
325	29443	1	Wire Clip				
328	35062	2	Ignition Key				
329	610973	1	Terminal				
335	35057A	1	Carburetor Cover				
336	650765	1	Screw				
338	28942	2	Screw				
340	34154	1	Fuel Tank Bracket				
341	34155	1	Fuel Tank Bracket				
342	650561	1	Screw				
343	35079	1	Key Switch Bracket				
350	570682A	1	Primer Bulb				
351	32180C	1	Primer Line				
355	590574	1	Starter Handle				
364	33377	1	Carburetor Cover Bracket				
365	650767	2	Screw				
370K	36695	1	Identification Decal				

Obtain parts from Tecumseh



Carburetor No. 640052

Ref. No.	Part No.	Qty.	Description
1	631776A	1	Shaft/Lever – Throttle
2	631970	1	Spring–Throttle Return
6	631778	1	Shutter–Throttle
7	650506	2	Screw–Shutter
10	632112	1	Shaft/Lever–Choke
14	632174	1	Shutter–Choke
15	630735	1	Spring–Choke Positioning
16	632164	1	Fitting–Fuel Inlet
17	650417	1	Screw–Idle Regulating
18	630766	1	Spring–Tension
20	640016	1	Screw–Idle Adjustment
20A	640053	1	Idle Restrictor Screw Cap
21	640053	1	Cap–Screw Idler Adj.
25	631951	1	Float Bowl Assembly (Incl. Ref. #32 & 33)
27	631024	1	Shaft–Float
28	632019	1	Float–Carburetor
29	631028	1	Gasket–Bowl to Body
30	631021	1	Inlet Needle, Seat & Clip Asm (Incl. Ref. #31)
31	631022	1	Clip – Inlet Needle
32	27136A	1	Drain Assembly (Incl. Ref. #33)

Ref. No.	Part No.	Qty.	Description
33	27554	1	Gasket–Bowl Drain
36	640005	1	Main Nozzle Tube
37	632547	2	O–Ring–Main Nozzle Tube
40	640055	1	High Speed Bowl Nut
44	27110	1	Gasket – Bowl to Body
47	630748	1	Plug – Welch
48	631027	1	Plug – Welch

Obtain Parts From Tecumseh

