



ProCore™ 880 Aerator

Model No. 09702 – 200000001 and Up

Model No. 09702TE – 200000001 and Up

Parts Catalog

Ordering Replacement Parts

To order replacement parts, please supply: the part number, the quantity, and the description of each part desired.

Understanding Reference Numbers

Each identified part in an illustration has a reference number. The reference number for a part also appears in the parts list, along with other information about the part.

This catalog uses two special reference number formats, one to indicate parts in a service assembly and another to indicate the quantity of a given part in an illustration.

Service Assembly Reference Numbers

Parts in service assemblies have reference numbers in the form **a:b**. The **a** represents the reference number of the entire service assembly and the **b** represents a sequential number unique to each part within the service assembly.

For example, a wheel assembly might be identified by reference number **6**, the tire by **6:1**, the valve by **6:2**, and the wheel by **6:3**. When you order the assembly identified by reference number **6**, you receive all parts identified by reference numbers **6:1**, **6:2**, and **6:3**. However, you may also order any part individually.

Reference numbers of this type appear in illustrations and in part lists.

Reference Numbers Indicating Quantity

In an illustration, if a reference number indicates more than one part, the reference number has the form **nX y**. The **n** represents the quantity of the part, the **X** is the multiplication symbol, and the **y** represents the reference number.

For example, in an illustration, the reference number **2X 37** means that two of the parts identified by reference number **37** are indicated.

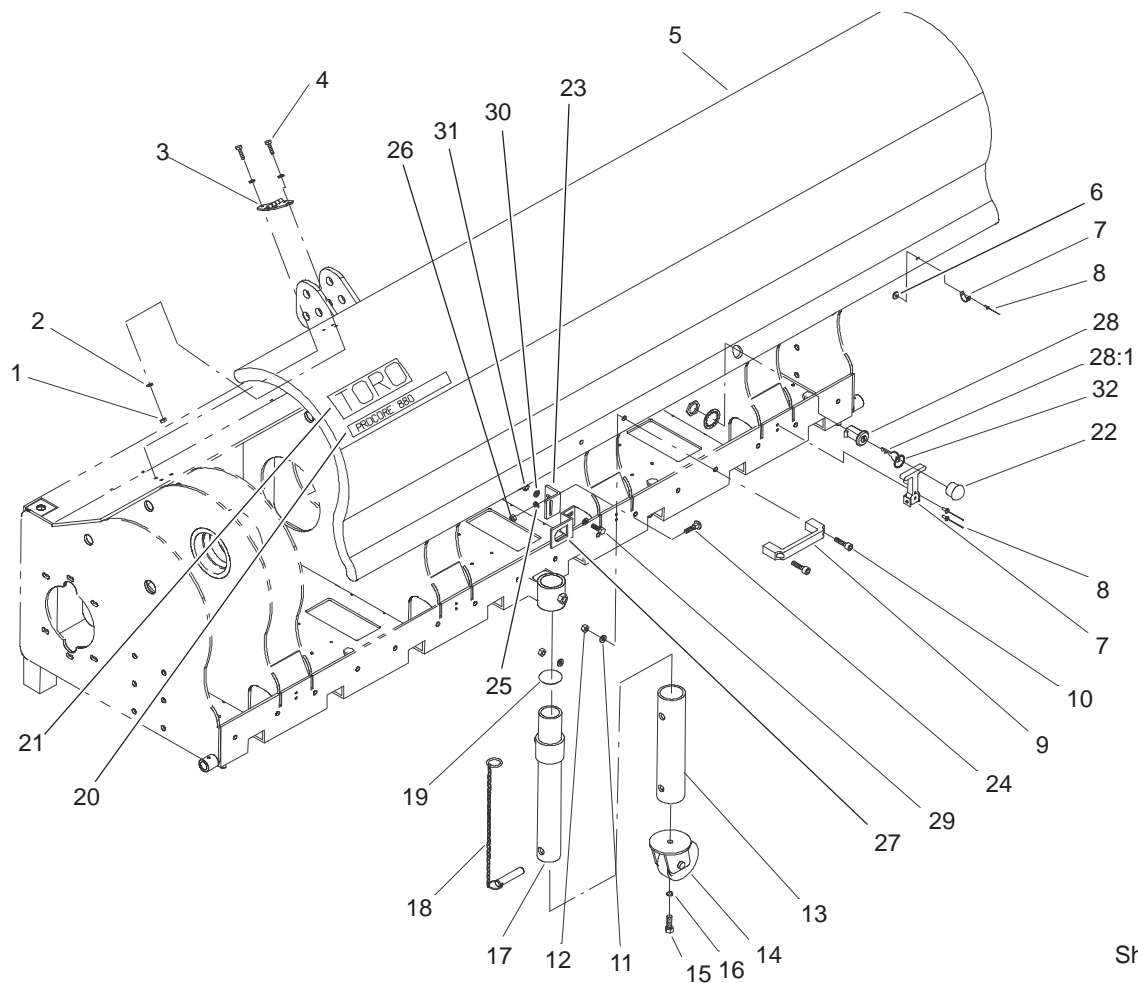
Contents

Description	Page	Description	Page
Hood Assembly	3	Gear Box Assembly No. 100–5381	10
Roller Leg Assembly	4	Tine Arm Assembly	11
Decals	5	Rotalink Assembly	12
Roller Assembly	6	Crankshaft Assembly	13
3 Point Linkage Assembly	7	Idler Assembly	14
PTO Assembly No. 104–0932	8	Turf Guards	15
Drive Shaft Assembly	9		

Part Description Abbreviations

Part descriptions in this catalog may include the following abbreviations.

Abbreviation	Meaning	Abbreviation	Meaning
AR	as required	INC	incorporated
ASM	assembly	LH	left hand
CARR	carriage	NI	nylon insert
DEG	degrees	PPH	Phillips pan head
FH	flat head	PTH	Phillips truss head
GA	gauge	PTO	power take off
HF	hex flange	RH	right hand
HH	hex head	SFH	slotted fillister head
HHF	hex head flange	SHH	slotted hex head
HLH	hex lag head	SQH	square head
HJ	hex jam	SHWH	slotted hex washer head
HOC	height-of-cut	SPH	slotted pan head
HS	hex socket	SRH	slotted round head
HSBH	hex socket button head	STD	standard
HSFH	hex socket flat head	TAP	self tapping
HSH	hex socket head	TTH	Torx truss head
HWH	hex washer head	WH	wing head
HWHTF	hex washer head thread forming		

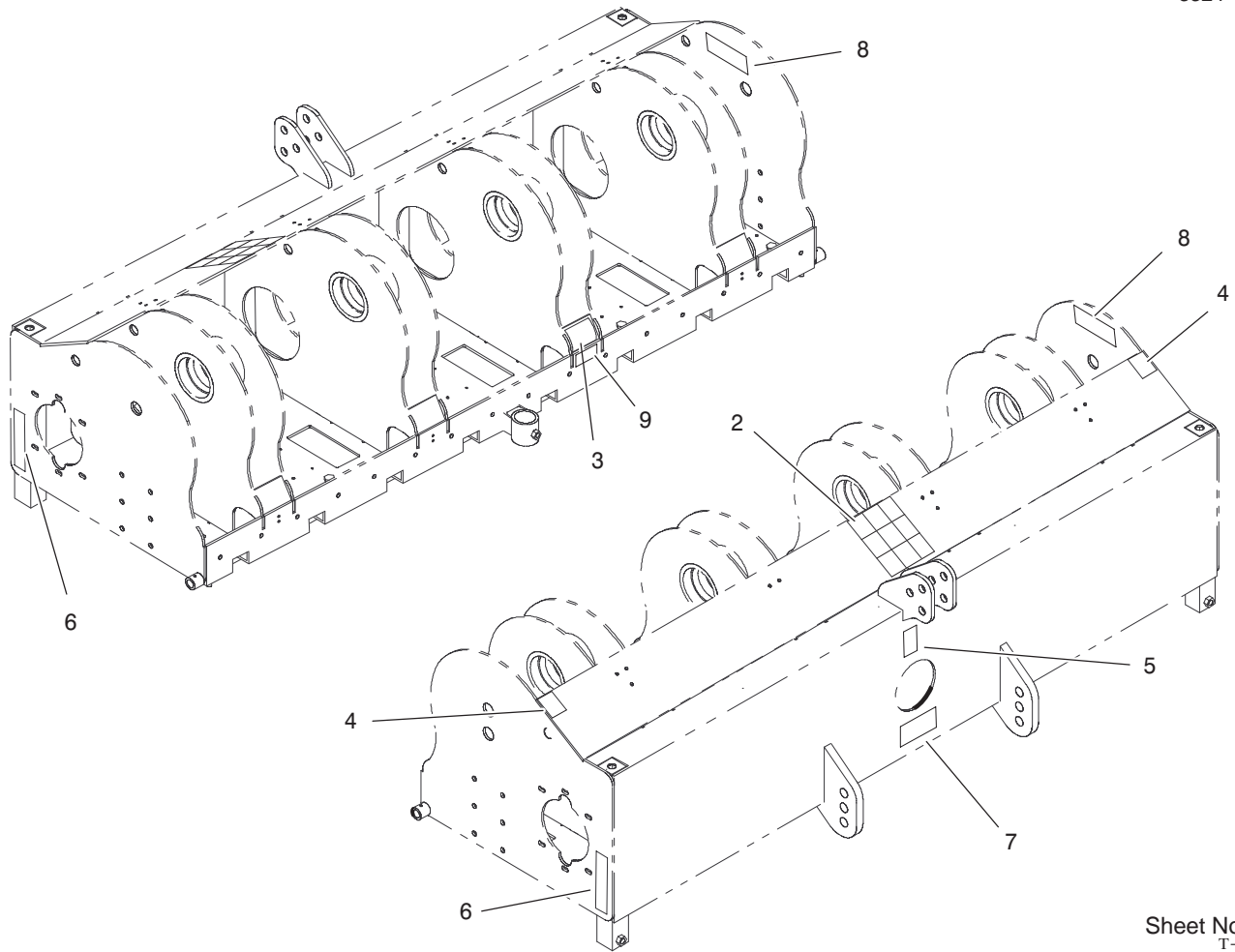


Sheet No.:2

Hood Assembly

Ref. No.	Part No.	Qty.	Description
1	33023-00	12	Nut-Lock NI
2	33093-00	36	Washer-Flat
3	100-5352	4	Hinge-Hood
4	33113-020	24	Screw-HH
5	100-5447	1	Hood
6	3269-10	4	Washer-Back
7	59-9740	2	Flex Draw Latch ASM
8	3269-24	8	Rivet
9	100-5353	1	Handle-Hood
10	100-7601	2	Screw-HSH
11	33094-00	2	Washer-Flat
12	33024-00	2	Nut-Lock, NI
13	100-7550	1	Tube-Castor, Outer
14	100-5370	1	Wheel-Caster
15	33116-045	1	Screw-HH
16	3253-7	1	Washer-Lock/Sp
17	100-5369	1	Tube-Castor, Inner
18	100-7551	1	Pin ASM
19	100-7563	1	Cap-Plastic
20	100-3618	1	Decal-Procore 880
21	92-1242	1	Decal - Toro
22	104-1453	1	Plug-Rubber (only on: 09702)
23	100-3637	1	Bracket-Ce (only on: 09702te)

Ref. No.	Part No.	Qty.	Description
24	33124-020	2	Screw-CARR (only on: 09702te)
25	33094-00	2	Washer-Flat (only on: 09702te)
26	33024-00	2	Nut-Lock, NI (only on: 09702te)
27	98-9316	1	Latch - Hood (only on: 09702te)
28	98-9315	1	Latch - Locking (only on: 09702te)
28:1	99-8350	2	Key - Latch, Locking (only on: 09702te)
29	33113-030	2	Screw-HH (only on: 09702te)
30	33093-00	4	Washer-Flat (only on: 09702te)
31	33023-00	2	Nut-Lock NI (only on: 09702te)
32	98-9321	1	Ring-Key (only on: 09702te)

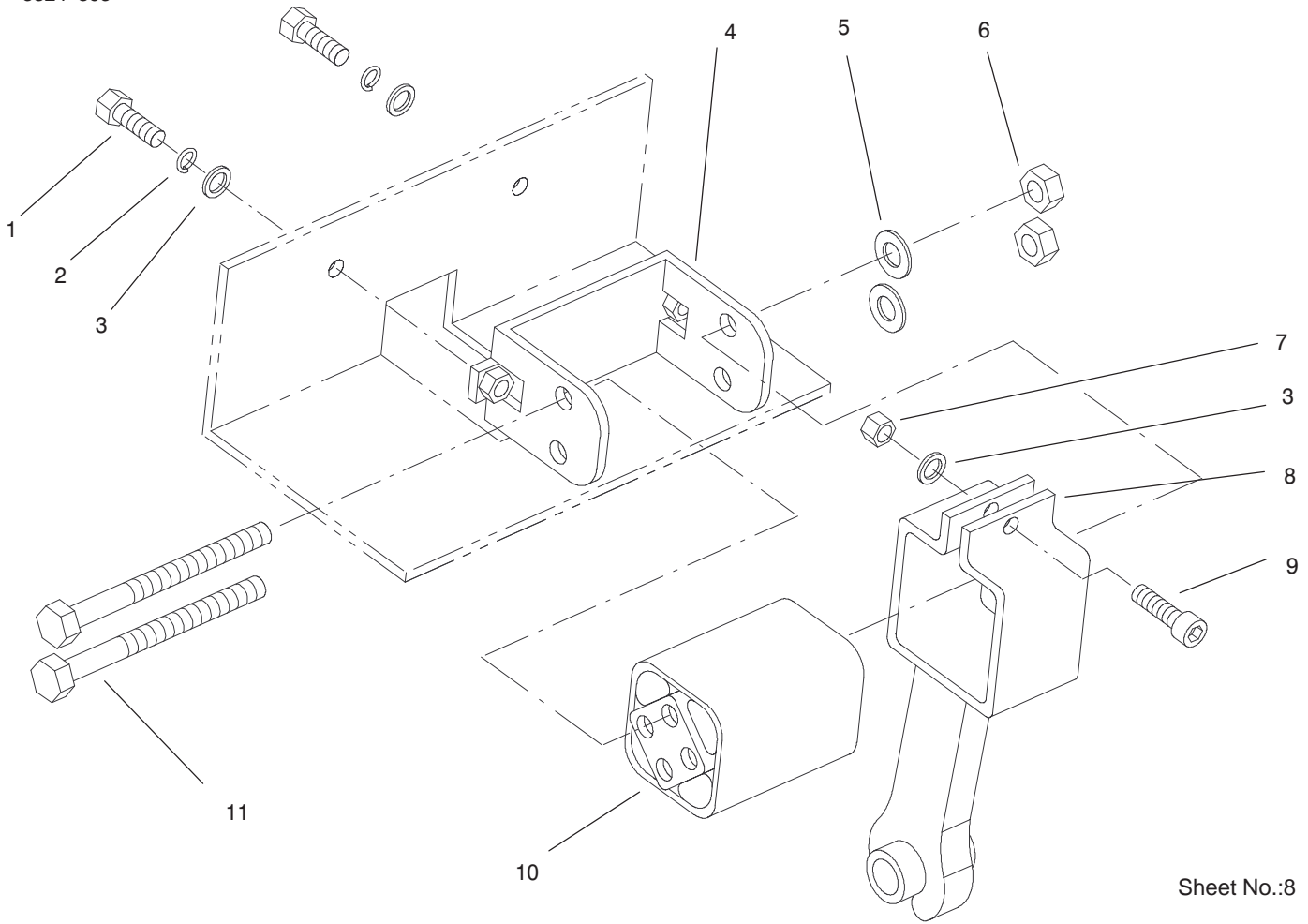


Sheet No.:A1
T-3457

Decals

Ref. No.	Part No.	Qty.	Description
2	100-3615	1	Decal-Warning
3	100-3614	1	Decal-Warning
4	100-5444	2	Decal-Depth Adjustment
5	100-5443	1	Decal-540 Rpm
6	100-5442	2	Decal-Depth Gauge
7	100-3613	1	Decal-Warning
8	93-9879	2	Decal - Warning
9	100-3612	1	Decal-Warning

Ref. No.	Part No.	Qty.	Description

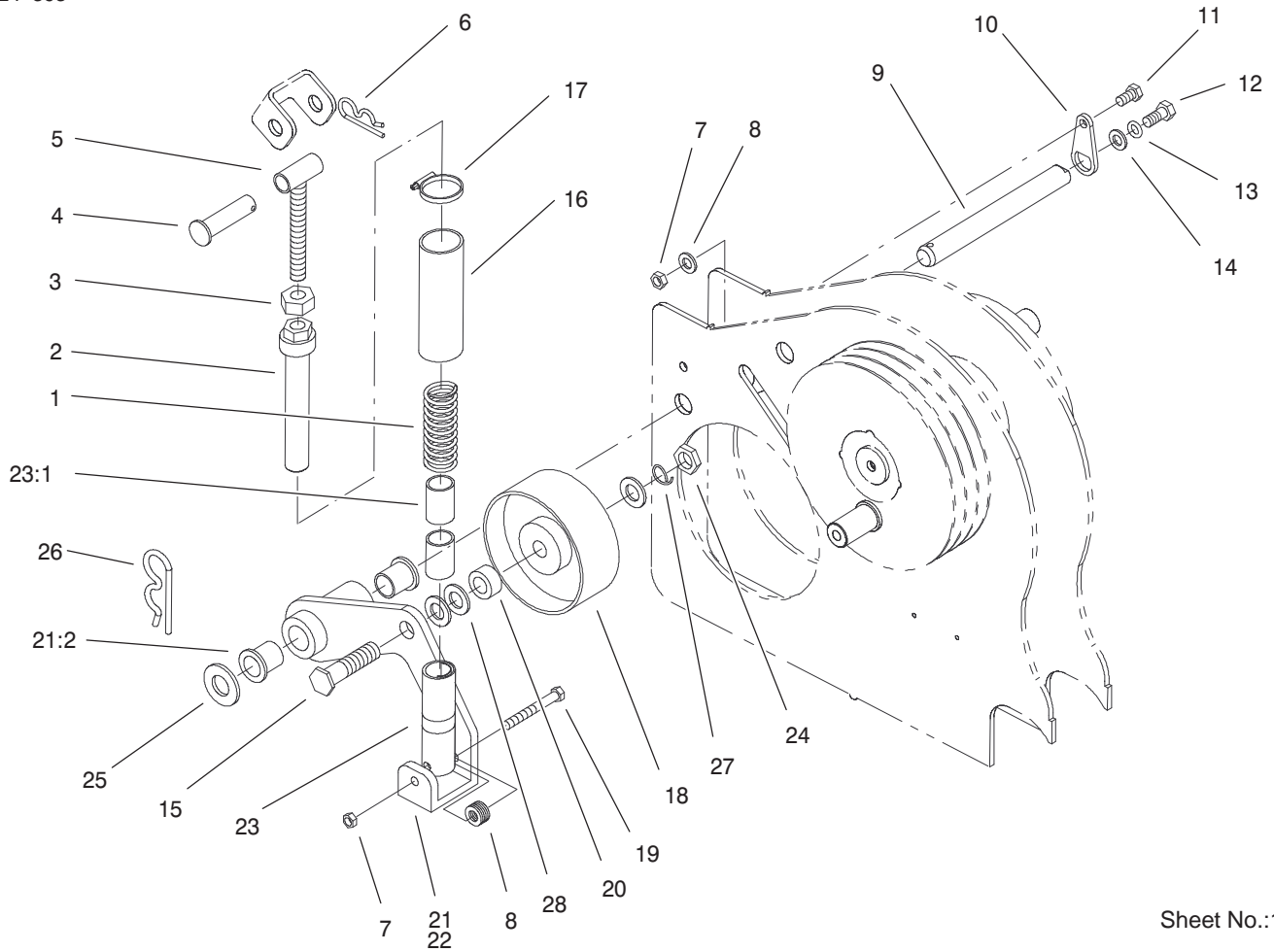


Sheet No.:8

Rotalink Assembly

Ref. No.	Part No.	Qty.	Description
1	33115-025	16	Screw-HH
2	48-9590	16	Washer-Lock
3	33095-00	24	Washer-Flat
4	100-5393-03	8	Bracket-Rotalink
5	33096-00	16	Washer-Flat
6	33026-00	16	Nut-Lock, NI
7	33025-00	8	Nut-Lock, NI
8	100-7642-03	8	Rotalink Arm ASM
9	100-7602	8	Screw-HSH
10	100-5395	8	Element-Rotalink
11	33116-140	16	Screw-HH

Ref. No.	Part No.	Qty.	Description



Sheet No.:10

Idler Assembly

Ref. No.	Part No.	Qty.	Description
1	100-5426	4	Spring-Compression
2	100-7561	4	Tube-Idler
3	33016-00	4	Nut-Hex
4	100-5435	4	Pin-Idler
5	100-7560	4	T-Bolt, Idler
6	3290-343	4	Pin-Hair
7	33025-00	8	Nut-Lock, NI
8	33095-00	24	Washer-Flat
9	100-5433	4	Shaft-Idler
10	100-7559	4	Tab-Shaft Lock
11	33115-025	4	Screw-HH
12	33116-025	4	Screw-HH
13	43-5940	4	Lockwasher-Sprg
14	33096-00	4	Washer-Flat
15	100-7587	4	Bolt-Special
16	100-7633	4	Tube-Rubber
17	100-7632	4	Clamp-Hose
18	100-7631	4	Pulley-Idler
19	33115-080	4	Screw-HH
20	100-7584	4	Spacer-Idler
21	100-5429	2	RH Idler Arm ASM
21:2	94-8949	2	Bushing - Flange
*22	100-5432	2	LH Idler Arm ASM
22:2	94-8949	2	Bushing - Flange
23	100-7639	4	Guide Tube ASM
23:1	100-7629	2	Bushing-Sleeve

Ref. No.	Part No.	Qty.	Description
24	3218-7	4	Nut-Jam
25	100-7605	4	Washer-Flat
26	100-5431	4	Hairpin
27	3253-9	4	Washer-Lock/Sp
28	33099-00	12	Washer-Flat

* Not illustrated

