



## Light Kit

for Greensmaster® 3200, 3200D, and 3250D

Model No. 04551

### Installation Instructions

## Preparing Traction Unit

! **CAUTION** !

**POTENTIAL HAZARD**

- If you leave the key in the ignition switch, someone could start the engine.

**WHAT CAN HAPPEN**

- Accidental starting of the engine could seriously injure you or other bystanders.

**HOW TO AVOID THE HAZARD**

- Remove the key from the ignition switch and pull the wire(s) off the spark plug(s) before you service or make adjustments to the machine. Also push the wire(s) aside so it does not accidentally contact the spark plug(s).

1. Disconnect negative (-) battery cable from battery.
2. Remove (3) screws securing console shroud and remove shroud (Fig. 1).

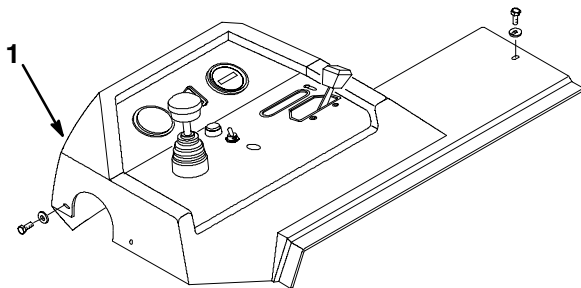


Figure 1

1. Console shroud

3. At location shown in figure 2, cut decal to expose hole in control panel.

4. Mount ON/OFF switch to control panel with (2) hex nuts and a lock washer (Fig. 2).

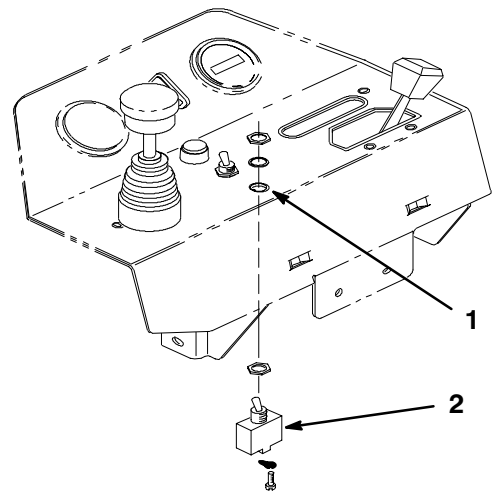


Figure 2

1. Hole location
2. On/off switch

### Greensmaster 3200 and 3200D Only:

5. Under control panel, locate orange and black wires from traction unit wire harness. Remove clear protective sheathing covering terminal end of orange wire.
6. Connect orange wire to either of the (2) terminals on ON/OFF switch.

### Greensmaster 3250 Only:

7. Under control panel, locate gray/black and black wires from traction unit wire harness. Remove clear protective sheathing covering terminal end of gray/black wire.

8. Connect gray/black wire to either of the (2) terminals on ON/OFF switch.

**Note:** If mounting lights on a ROPS, use steps 1 thru 7. If mounting lights on front of traction unit frame, proceed to step 1.

## ROPS Installation

**Note:** Use longer light kit harness (120") for mounting lights on ROPS.

1. Loosely mount a lamp to tab on each side of ROPS with a lockwasher and hex nut (Fig. 3).

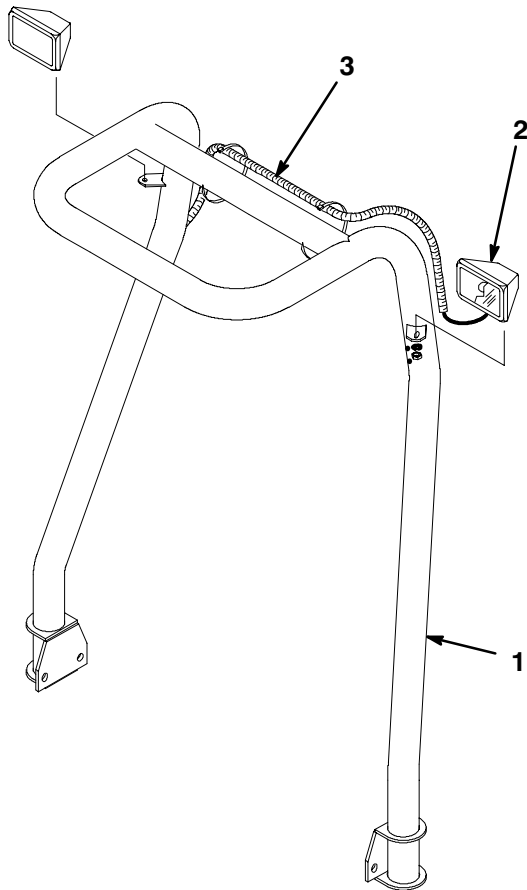


Figure 3

1. ROPS
2. Lamp
3. Harness (long)

2. Plug end of ROPS light kit harness into left lamp connector.
3. Route harness across top of ROPS and plug next connector into right lamp connector. Secure harness to ROPS with cable ties as required.

4. Insert loose end of harness into hole in top of ROPS tube and pull it out bottom.
5. Route harness under traction unit frame to underside of control panel.
6. Connect orange/white wire from light kit wire harness to remaining terminal on ON/OFF switch.
7. Connect black wire from traction unit harness to black wire from light kit harness. Secure harness with cable ties as required. Proceed to step 10.

## Frame Installation

1. Measure 1.50 inches rearward from center of reel motor storage tube (Fig. 4). Mark and drill a .281" diameter hole through one wall of frame tube.

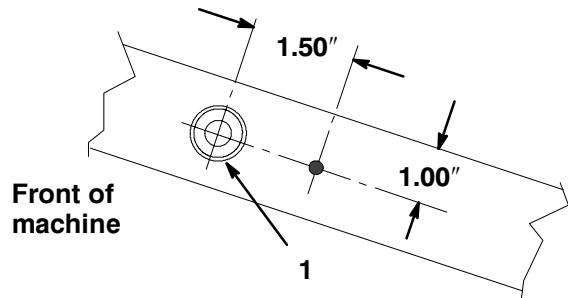


Figure 4

1. Reel motor storage tube

2. Position light bracket on frame, aligning front of bracket with drilled hole in frame (Fig. 5). Using bracket as a template, locate, mark, and drill another .281" diameter hole through one wall of frame tube.

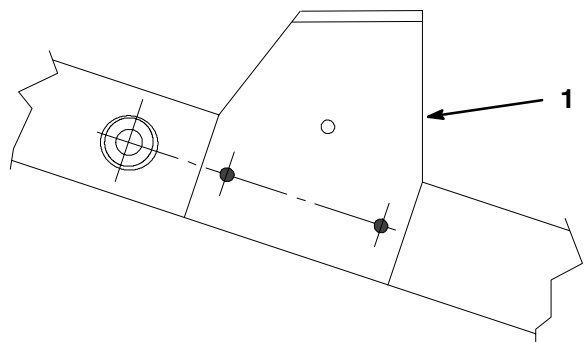


Figure 5

1. Light bracket

3. Mount the light brackets to the frame with (2) 5/16-18 x .62" long self tapping screws (Fig. 6).

4. Loosely mount a light to each bracket with a lockwasher and nut.

**Note:** Use shorter light kit harness for mounting lights on frame.

5. On shorter light kit harness, locate end with an orange/white and black wires.
6. Connect orange/white wire from light kit wire harness to remaining terminal on ON/OFF switch.
7. Connect black wire traction unit harness to black wire from light kit harness.
8. Route harness forward, under wheel shield, and around front frame member (Fig. 6).

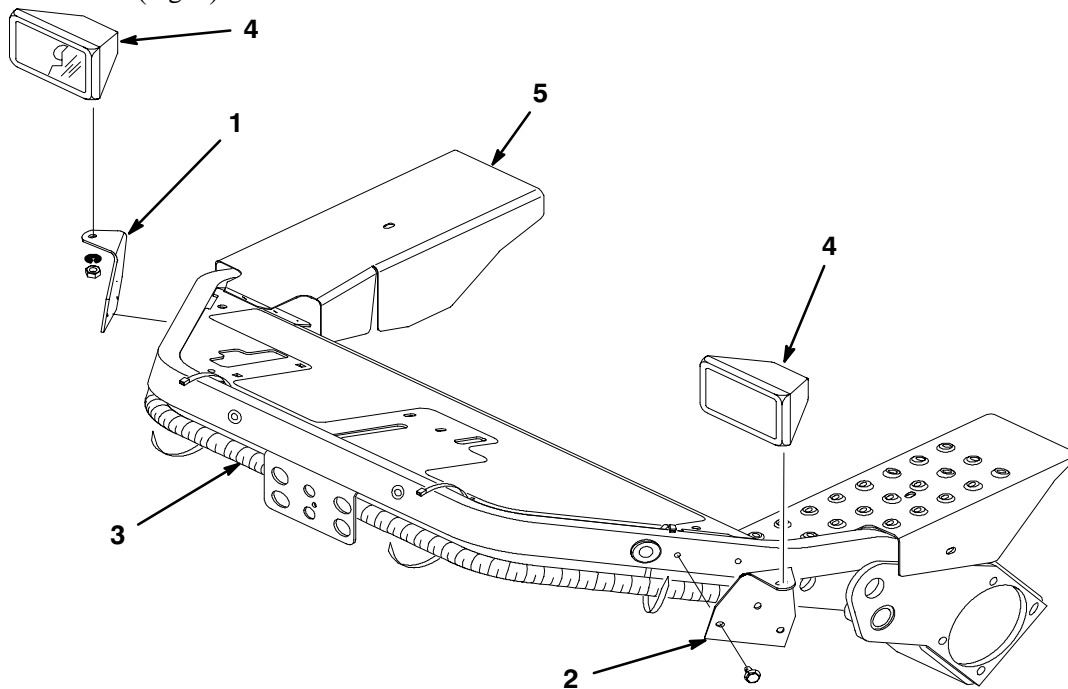
9. Plug light kit harness connectors into right and left lamps connectors. Secure harness to frame with cable ties as required.

10. Re-install console shroud (Fig. 1).

11. Install a 15 amp (max.) fuse into open receptacle in traction unit fuse block.

12. Connect negative (-) battery cable to battery.

13. Switch on lights. Aim lights as desired and tighten mounting nuts.



**Figure 6**

1. R.H. light bracket
2. L.H. light bracket

3. Harness (short)

4. Light

5. Wheel shield

