



Count on it.

Parts Catalog

Workman® GTX

Utility Vehicle with Bench Seat

Model No. 07152—Serial No. 400000000 and Up



Ordering Replacement Parts

To order replacement parts, please supply the part number, the quantity, and the description of each part desired.

Understanding Reference Numbers

Each identified part in an illustration has a reference number. The reference number for a part also appears in the parts list, along with other information about the part.

This catalog uses two special reference number formats, one to indicate parts in a service assembly and another to indicate the quantity of a given part in an illustration.

Service Assembly Reference Numbers

Parts in service assemblies have reference numbers in the form a:b. The a represents the reference number of the entire service assembly and the b represents a sequential number unique to each part within the service assembly.

For example, a wheel assembly might be identified by reference number 6, the tire by 6:1, the valve by 6:2, and the wheel by 6:3. When you order the assembly identified by reference number 6, you receive all parts identified by reference numbers 6:1, 6:2, and 6:3. However, you may also order any part individually. Reference numbers of this type appear in illustration and in parts lists.

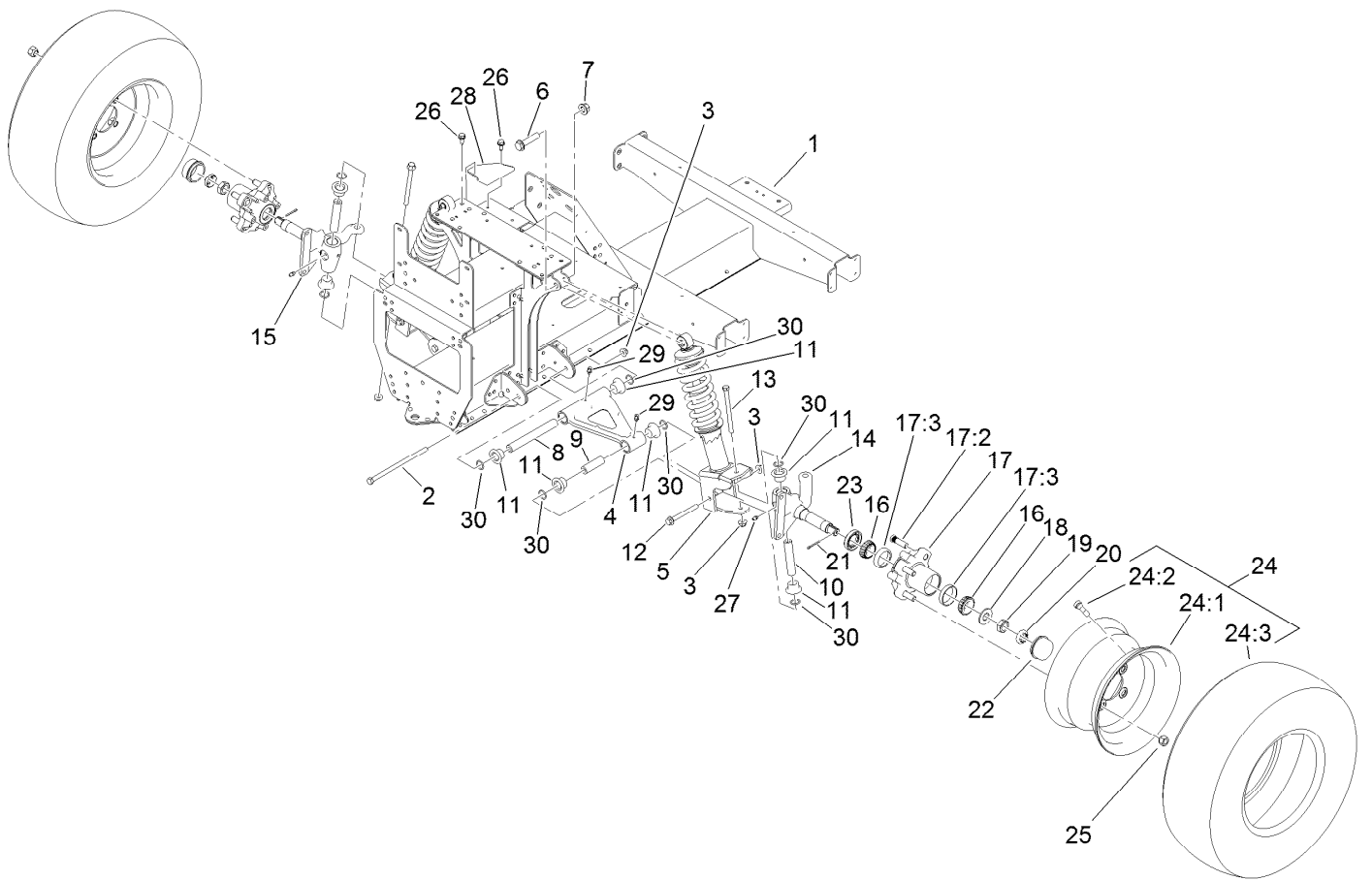
Reference Numbers Indicating Quantity

In an illustration, if a reference number indicates more than one part, the reference number has the form nX y. The n represents the quantity of the part, the X is the multiplication symbol, and the y represents the reference number.

For example, in an illustration, the reference number 2X 37 means that two of the parts identified by reference number 37 are indicated.

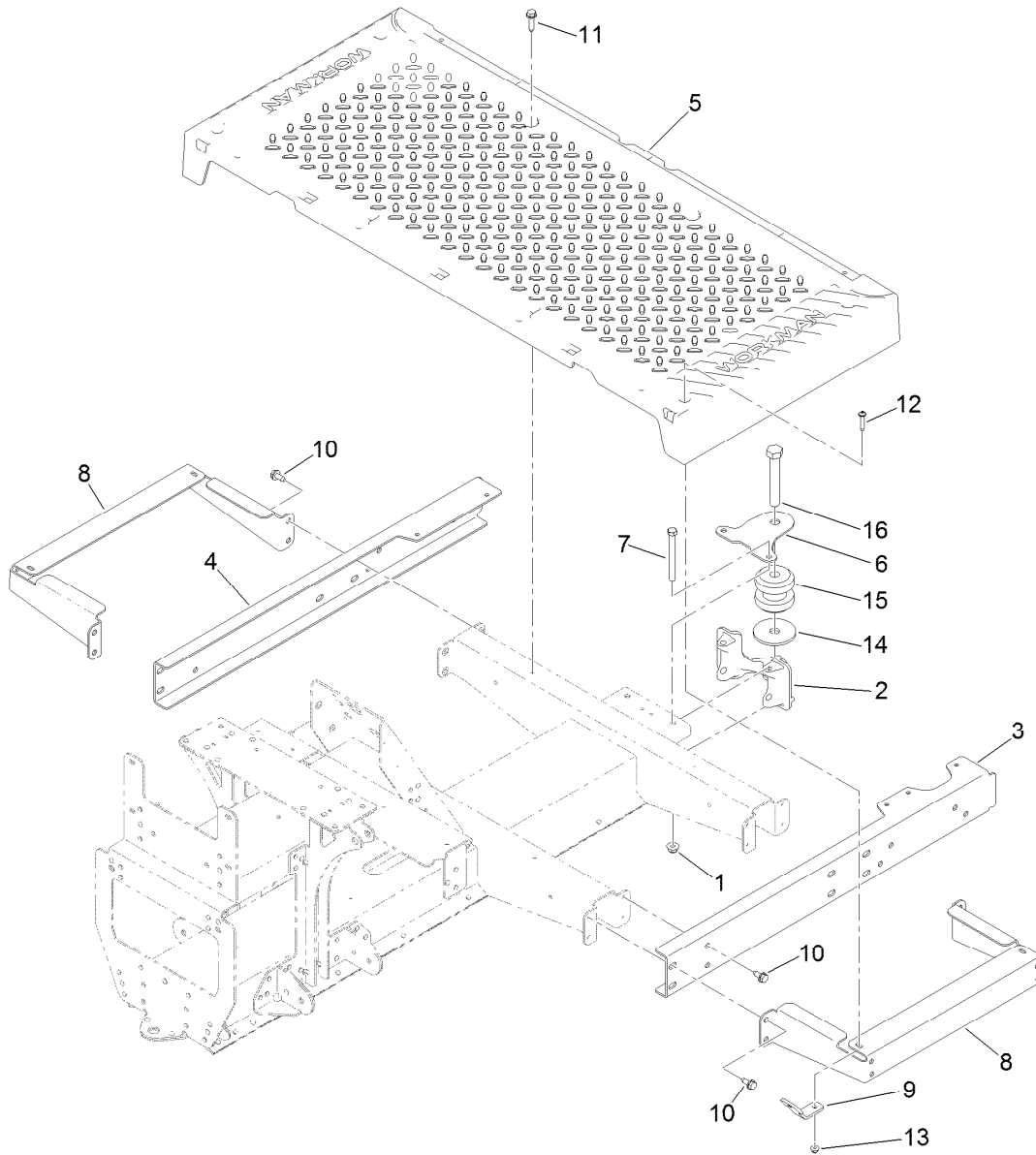
Contents

Front Frame and Suspension Assembly	4
Floor Plate and Rear Suspension Mount Assembly	5
Rear Frame and Suspension Assembly	6
Frame Mount and Rear Shock/Spring Assembly	7
Brake Assembly	8
Master Cylinder Assembly No. 104-6782	9
Brake Caliper Assembly No. 127-7424	10
Steering Assembly	11
Pedal and Control Assembly	12
Hood and Fender Assembly	13
Dash Assembly	14
Seatbase Assembly	15
Cargo Bed Assembly	16
Cargo Bed and Tailgate Assembly No. 131-8592	17
Engine Assembly	18
Starter Generator Assembly No. 131-8444	20
Secondary Clutch Assembly No. 119-6011	21
Engine Assembly No. 131-8502	22
Air Cleaner Assembly No. 99-7120	26
Primary Clutch Assembly No. 131-8500	27
Transaxle Assembly No. 131-3486	28
Rear Wheel and Transaxle Assembly	30
Battery and Cable Assembly	31
Electrical Assembly	32
Fuel System Assembly	33
Fuel Tank Assembly No. 127-7849	34
Attachments and Accessories	35



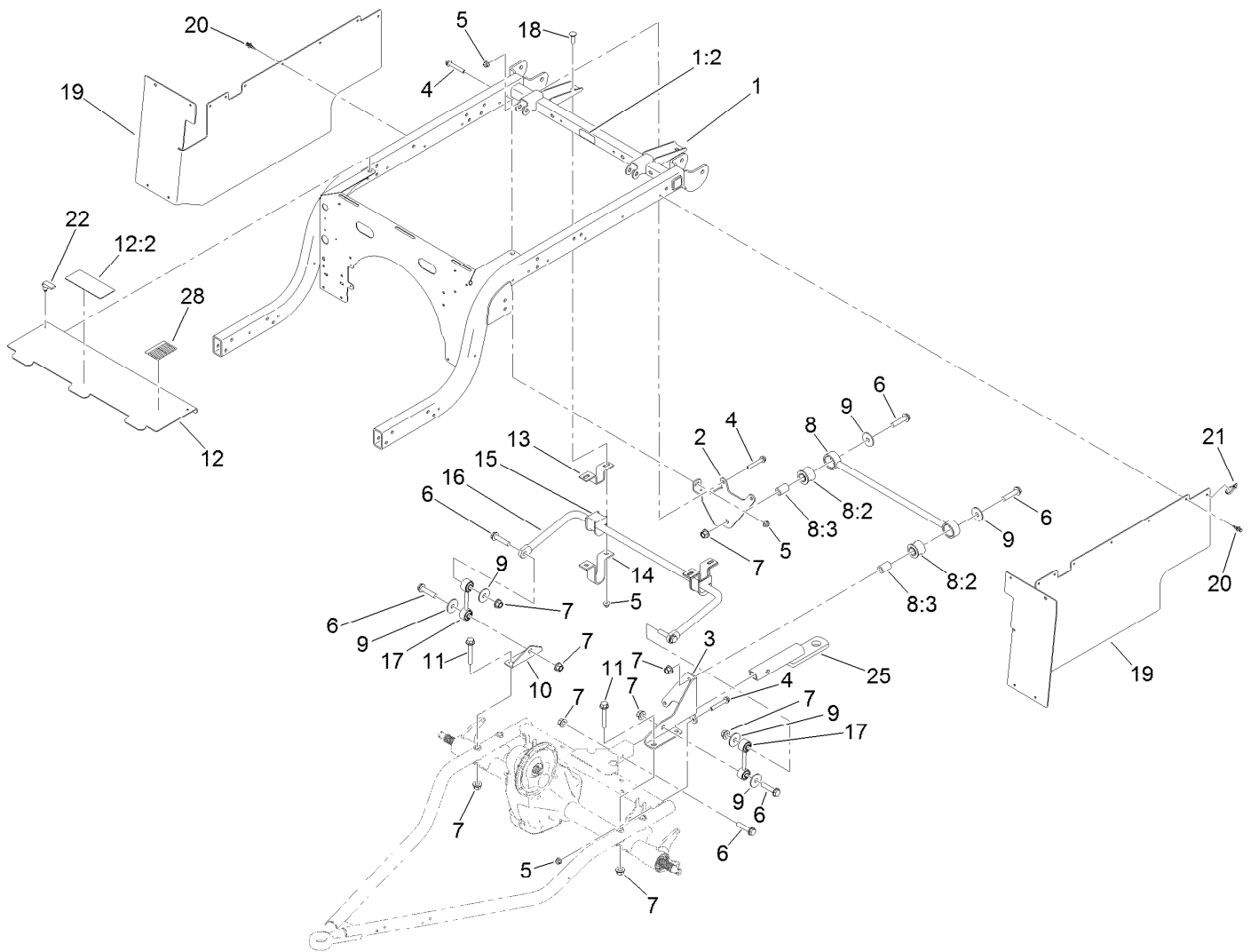
Front Frame and Suspension Assembly

Ref.	Part Number	Qty.	Description	Ref.	Part Number	Qty.	Description
1	127-7718-03	1	Frame-Front	17:3	254-72	2	Bearing-Cup, Tapered
2	131-8572	2	Screw-HF	18	93-0309	2	Washer-Tab
3	104-8301	6	Nut-HF, NI	19	3220-7	2	Nut-Jam
4	131-8345	2	A-Arm	20	93-0307	2	Nut-Lock, Retainer
5	127-8776	2	Strut ASM	21	3272-12	2	Pin-Cotter
6	3234-46	2	Screw-HHF	22	241-119	2	Cap-Dust
7	99-5107	2	Nut-Lock	23	112-1690	2	Seal-Oil
8	131-8581	2	Sleeve-Control Arm, Inner	24	131-8319	2	Tire/Wheel ASM
9	131-8583	2	Sleeve-Control Arm, Outer	24:1	131-8317	1	Wheel
10	131-8582	2	Sleeve-Kingpin	24:2	232-27	1	Stem-Valve
11	133-0643	12	Bushing-Flange, O-Ring	24:3	131-8318	1	Tire
12	116-4701	2	Screw-HHF	25	242-50	8	Nut-Lug
13	131-8571	2	Screw-HF	26	32144-70	2	Screw-HWHTF
14	127-8825-03	1	Spindle-LH	27	302-5	2	Fitting-Grease
15	127-8826-03	1	Spindle-RH	28	131-8339-03	1	Reinforcement-Tower
16	254-94	4	Bearing-Cone, Tapered	29	302-40	4	Fitting-Grease, 90 DEG
17	127-8851	2	Front Hub ASM	30	237-54	12	O-Ring
17:2	10-6830	4	Stud-Type, Drive				



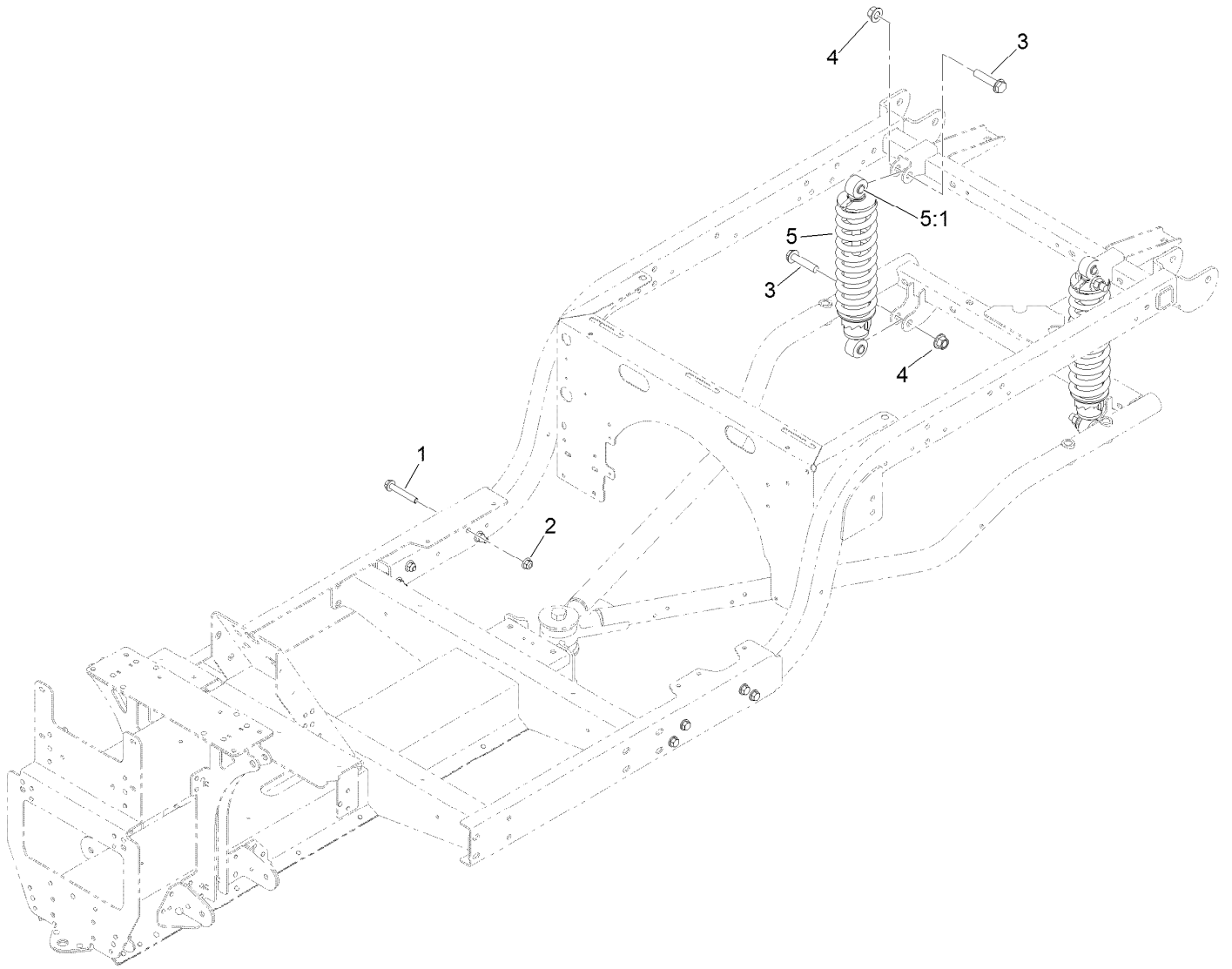
Floor Plate and Rear Suspension Mount Assembly

<i>Ref.</i>	<i>Part Number</i>	<i>Qty.</i>	<i>Description</i>	<i>Ref.</i>	<i>Part Number</i>	<i>Qty.</i>	<i>Description</i>
1	104-8301	2	Nut-HF, NI	9	127-7832	2	Bracket-Angle
2	131-8466	1	Mount-Suspension, Rear	10	32144-70	16	Screw-HWHTF
3	127-7820-03	1	Channel-Frame, Front (LH)	11	32144-49	4	Screw-HWHTF
4	127-7821-03	1	Channel-Frame, Front (RH)	12	132-6777	4	Screw-TTH
5	127-7829	1	Plate-Floor	13	104-7201	4	Nut-HF
6	131-8597	1	Plate-Gimbal, Upper	14	110-4549	1	Washer-Snubbing
7	323-42	2	Screw-HH	15	131-8480	1	Isolator
8	127-7837-03	2	Bracket-Support, Floor Plate	16	104-5877	1	Screw-HH



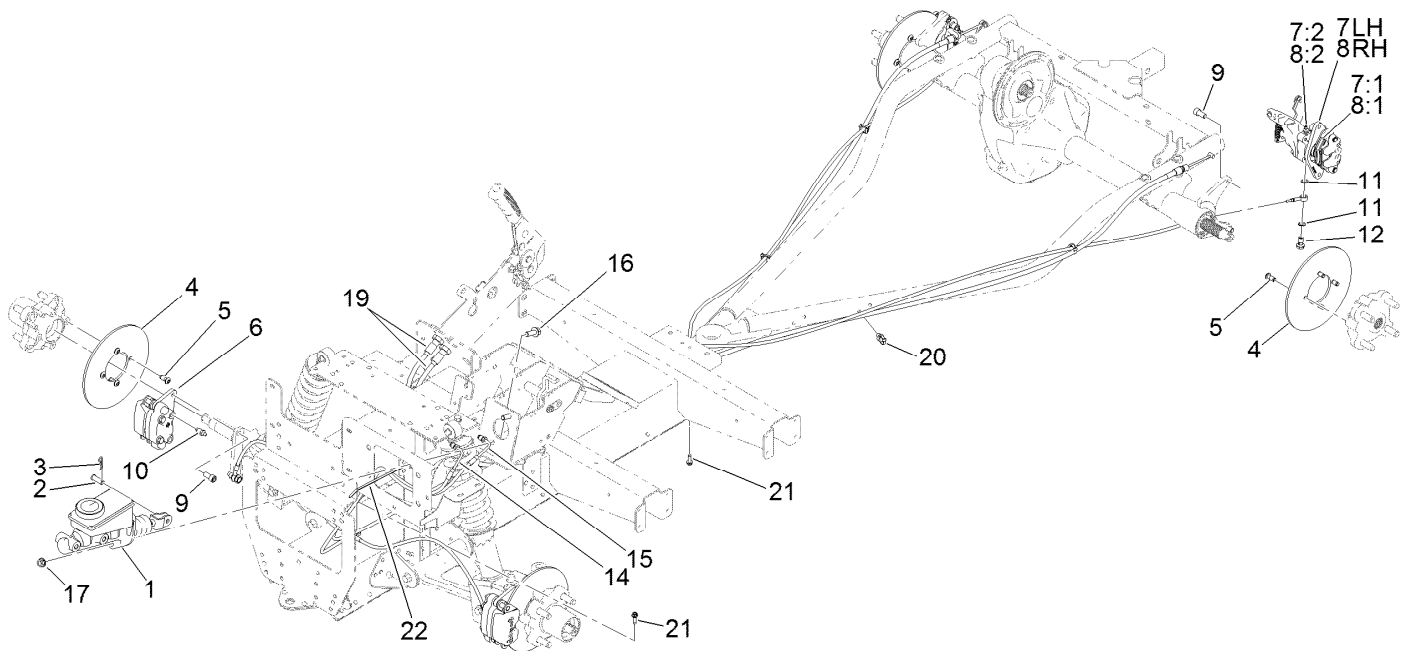
Rear Frame and Suspension Assembly

<i>Ref.</i>	<i>Part Number</i>	<i>Qty.</i>	<i>Description</i>	<i>Ref.</i>	<i>Part Number</i>	<i>Qty.</i>	<i>Description</i>
1	131-8594	1	Rear Frame ASM	12	131-8595	1	Panel-Cover
1:2	115-2047	1	Decal-Surface, Hot	12:2	99-7345	1	Decal-Warning
2	127-7412-03	1	Bracket-Bar, Stabilizer	13	87-3890-03	2	Bracket-Bar, Sway
3	127-7411-03	1	Bracket-Bar, Stabilizer	14	87-4010-03	2	Clamp-Bar, Sway
4	3234-39	5	Screw-HHF	15	87-3910	2	Bushing-Rubber
5	104-8301	9	Nut-HF, NI	16	131-8310-03	1	Bar-Sway, Anti
6	3234-46	7	Screw-HHF	17	131-8394	2	Link-Bar, Sway
7	99-5107	11	Nut-Lock	18	3231-25	4	Bolt-CARR
8	109-5013	1	Panhard Rod ASM	19	131-8346	2	Panel-Side
8:2	109-5009	2	Bushing-Suspension, Rubber	20	125-9622	20	Rivet-Blind
8:3	109-5010	2	Spacer	21	3290-378	2	Tie-Cable
9	86-1990	6	Washer-Thrust	22	74-5950	2	Latch-Swell
10	131-8315	1	Bracket-Link, Sway Bar	25	132-8590-03	1	Bar-Draw, Class 1
11	3234-40	4	Screw-HF	28	133-7148	1	Decal-Service



Frame Mount and Rear Shock/Spring Assembly

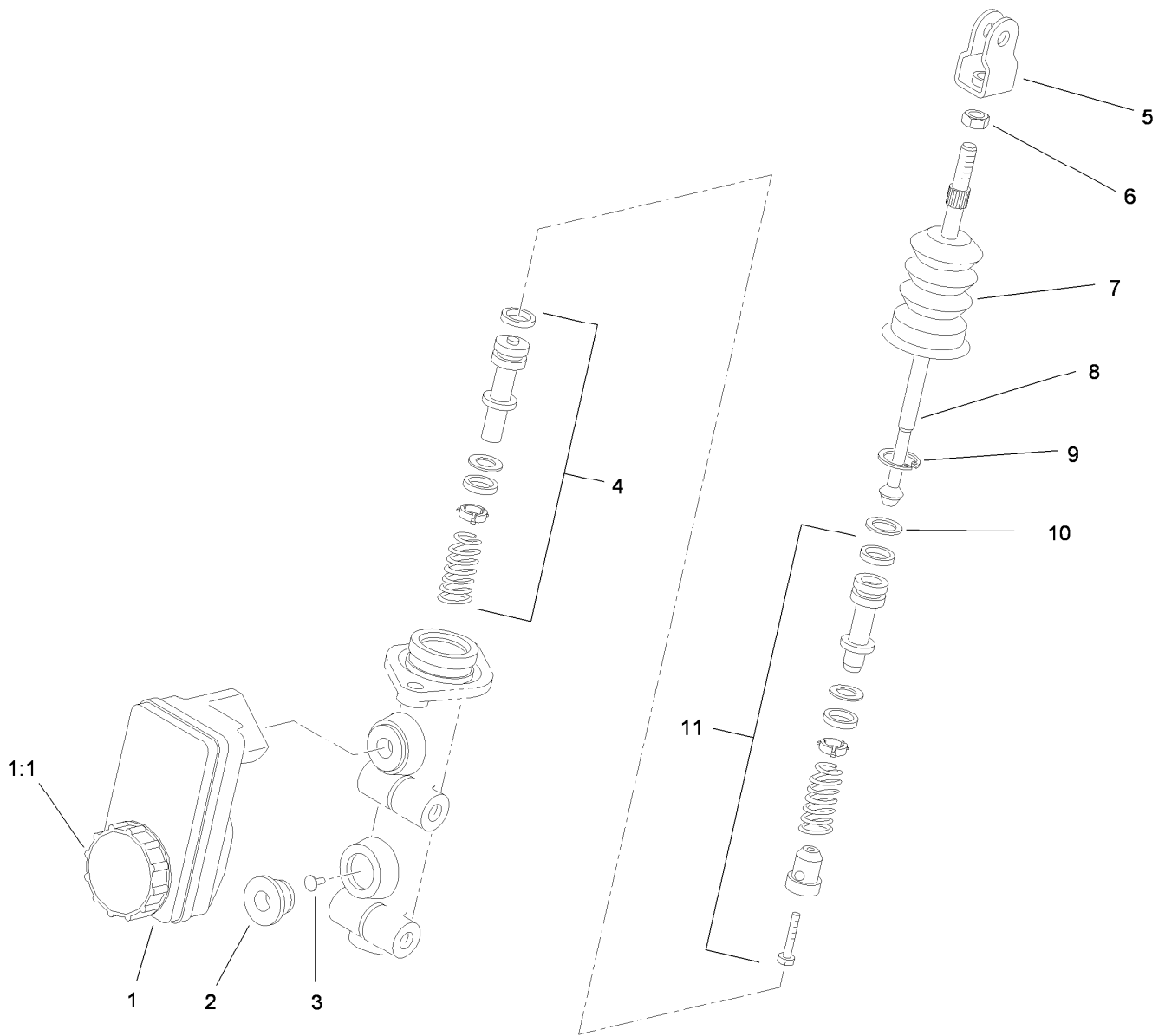
<i>Ref.</i>	<i>Part Number</i>	<i>Qty.</i>	<i>Description</i>
1	3234-39	8	Screw-HHF
2	104-8301	8	Nut-HF, NI
3	3234-46	4	Screw-HHF
4	99-5107	4	Nut-Lock
5	131-3455	2	Shock/Spring ASM
5:1	131-8574	2	Isolator-Shock



Brake Assembly

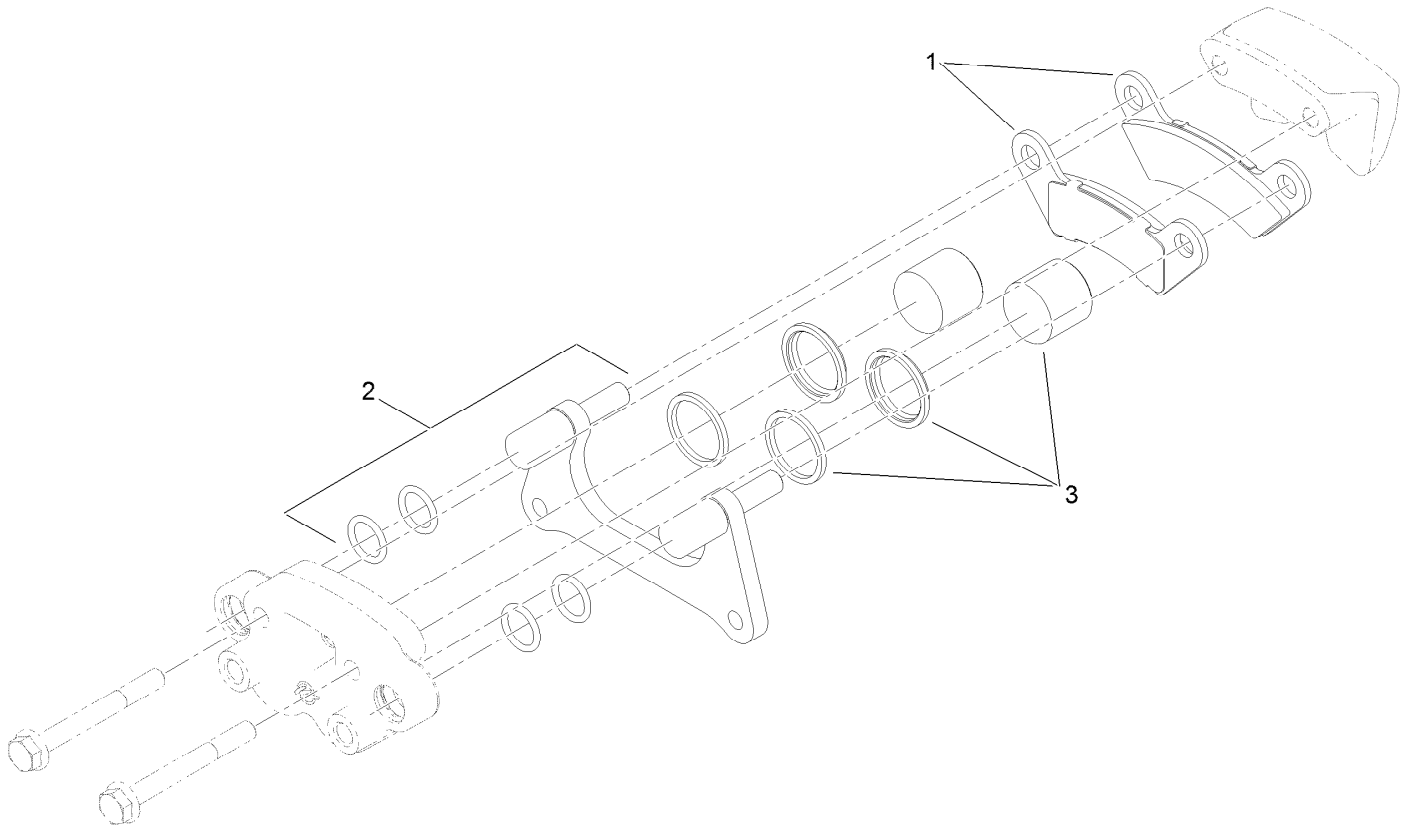
Ref.	Part Number	Qty.	Description	Ref.	Part Number	Qty.	Description
1	104-6782	1	Master Cylinder ASM	8:3	136-6328	2	Spring-Rattle, Anti ●
2	283-2	1	Pin-Clevis	9	131-8573	8	Screw-HSH
3	1-806003	1	Pin-Cotter	10	119-9509	2	Screw-Bleed
4	136-6295	4	Rotor-Brake	11	115-2341	8	Washer-Banjo
5	121-9671	16	Screw-HSBH	12	120-4875	4	Bolt-Flange, Banjo
6	127-7424	2	Brake Caliper ASM	14	127-7781	1	Brake Line-Front
7	131-8313	1	Caliper-Rear, LH	15	127-7782	1	Brake Line-Rear
7:1	131-8518	1	Pad Kit (Set Of 4)	16	3234-11	2	Screw-HHF
7:2	119-9509	1	Screw-Bleed	17	3290-357	2	Nut-HHF, Whiz
7:3	136-6328	2	Spring-Rattle, Anti ●	19	131-8406	2	Cable-Park Brake
8	131-8314	1	Caliper-Rear, RH	20	32180-030	4	Clip-Tie
8:1	131-8518	1	Pad Kit (Set Of 4)	21	49-2040	2	Screw-HWHTF
8:2	119-9509	1	Screw-Bleed	22	3290-378	1	Tie-Cable

● Not illustrated



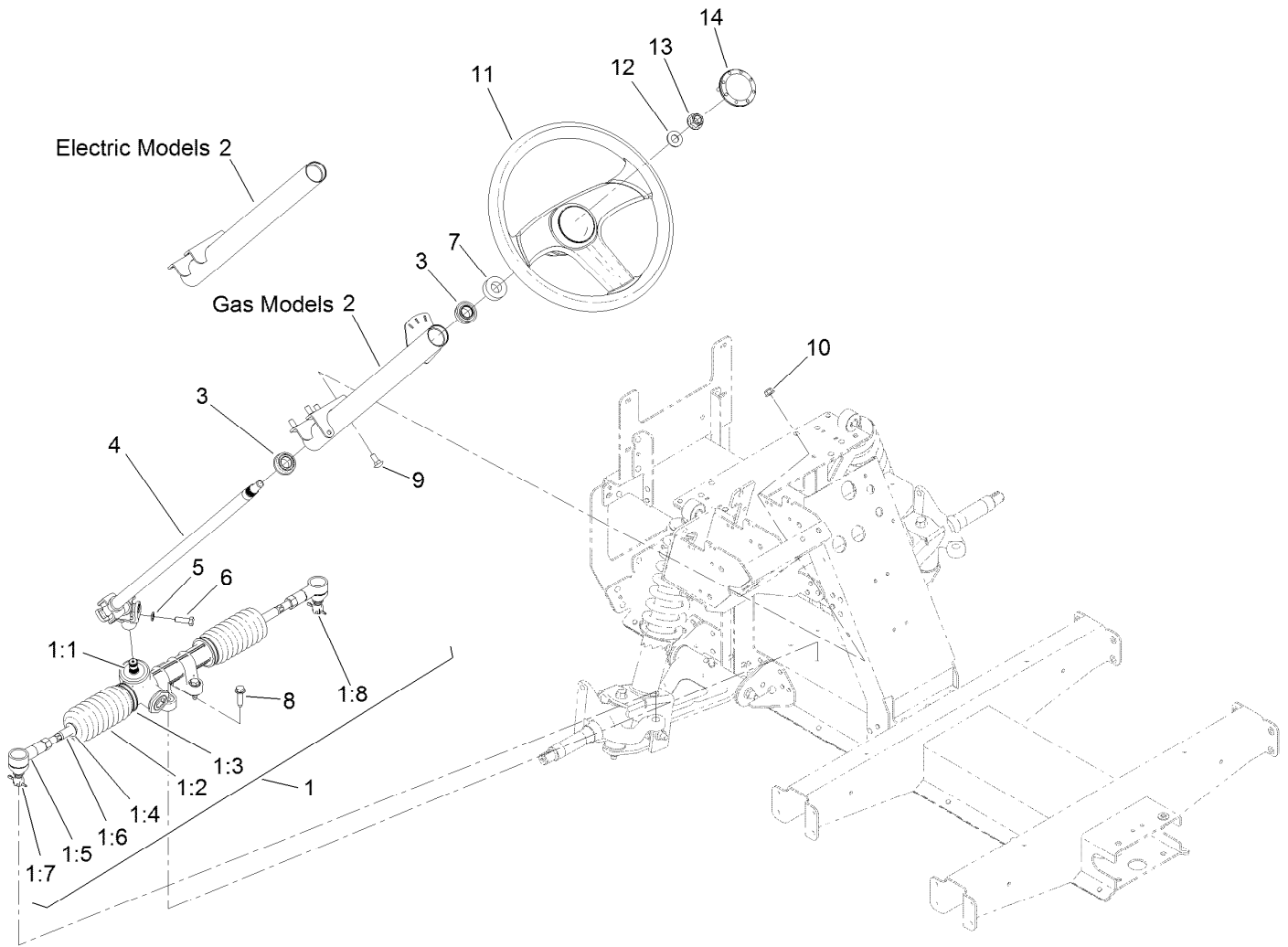
Master Cylinder Assembly No. 104-6782

Ref.	Part Number	Qty.	Description
1	104-6845	1	Reservoir ASM
1:1	92-4112	1	Cap ASM
2	93-8971	2	Seal-Port, Flange
3	92-4103	1	Pin-Stop
4	92-4102	1	Secondary Piston ASM
5	92-4110	1	Clevis
6	21-0360	1	Nut-Hex
7	94-5209	1	Cover-Dust
8	94-5210	1	Rod-Push
9	92-4109	1	Ring-Snap
10	92-4108	1	Retainer-Washer
11	92-4101	1	Primary Piston ASM



Brake Caliper Assembly No. 127-7424

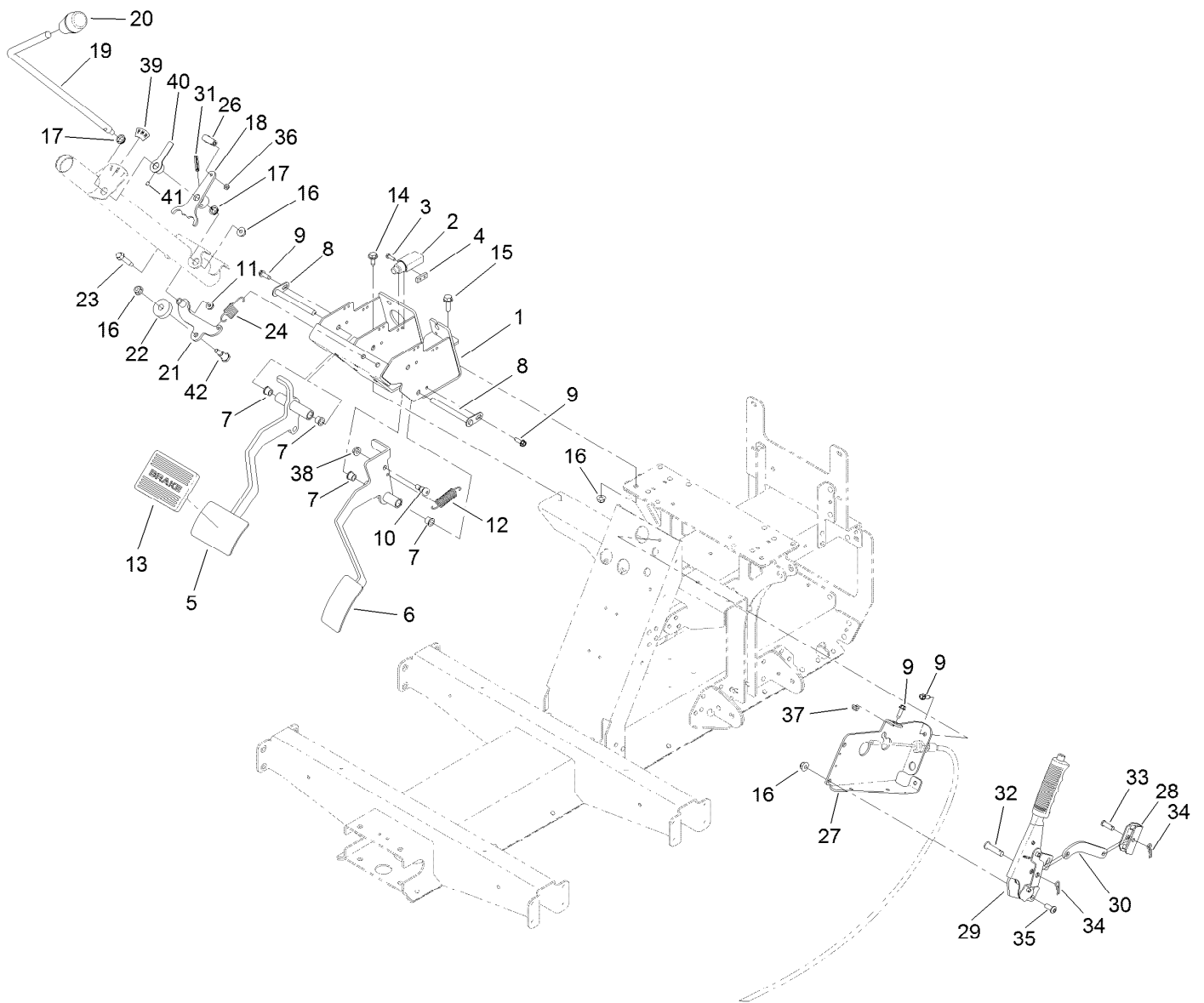
<i>Ref.</i>	<i>Part Number</i>	<i>Qty.</i>	<i>Description</i>
1	119-9510	1	Pads-Brake
2	119-9511	1	Bracket Kit
3	133-0614	1	Piston Kit



Steering Assembly

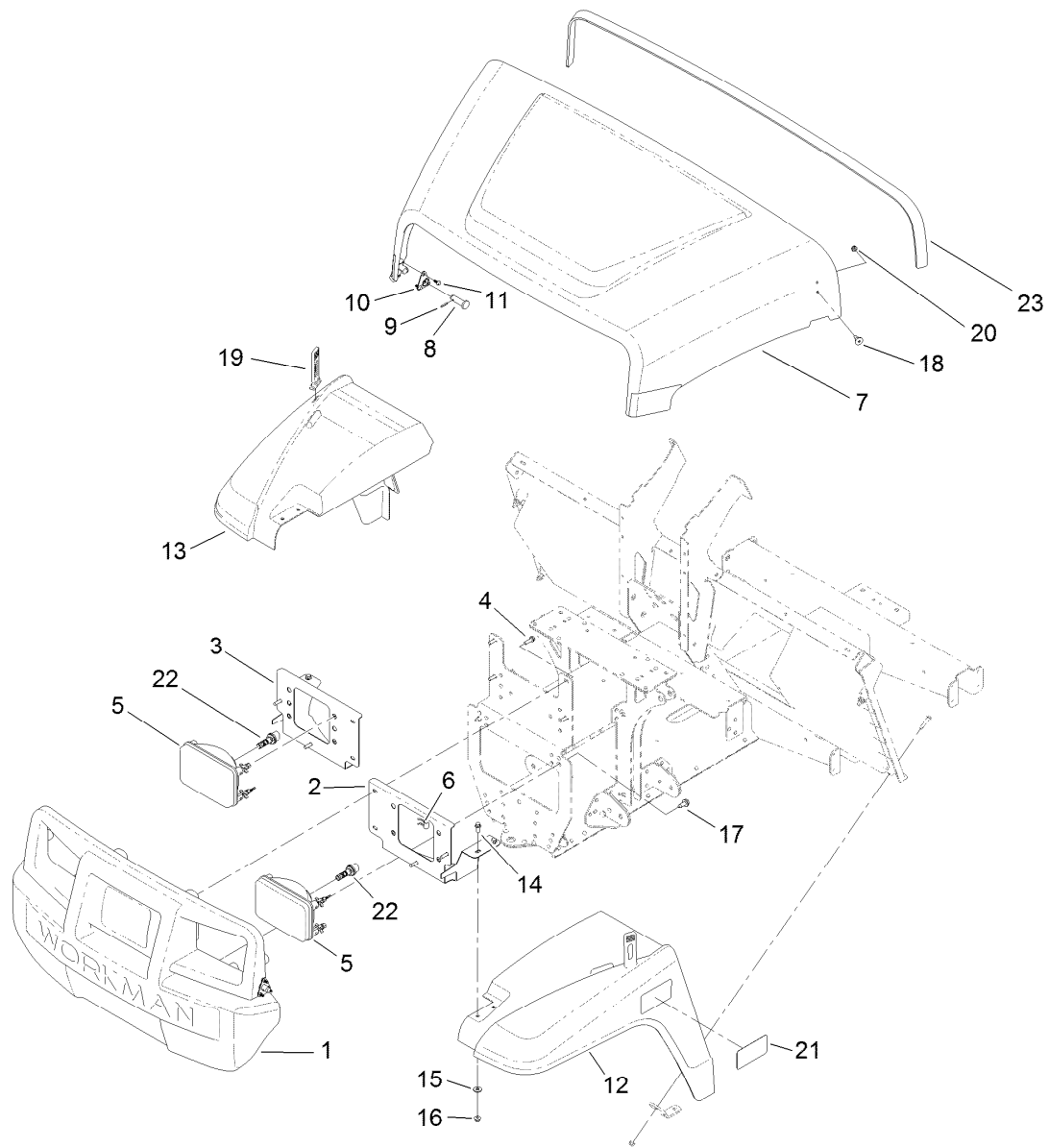
Ref.	Part Number	Qty.	Description
1	127-8797	1	Steering Rack ASM
1:1	133-0607	1	Seal-Shaft
1:2	133-0606	2	Bellows
1:3	133-0605	2	Clamp-Bellows, Inner
1:4	133-0604	2	Clamp-Bellows, Outer
1:5	133-0602	2	End-Rod, Track
1:6	133-0601	2	Rod-Tie, Track
1:7	3272-42	2	Pin-Cotter
1:8	137-9891	2	Nut-Slotted, Ball Joint
2	127-8799-03	1	Steering Column ASM
3	112-3262	2	Bearing

Ref.	Part Number	Qty.	Description
4	127-8804	1	Shaft-Steering
5	3253-4	1	Washer-Lock
6	116-3515	1	Screw-HH, Special
7	21-9260	1	Cover-Dust
8	32144-49	4	Screw-HWHTF
9	3230-1	4	Bolt-CARR
10	104-8300	4	Nut-HF, NI
11	131-0957	1	Wheel-Steering
12	3256-26	1	Washer-Flat
13	99-5107	1	Nut-Lock
14	131-3630	1	Cap-Wheel, Steering



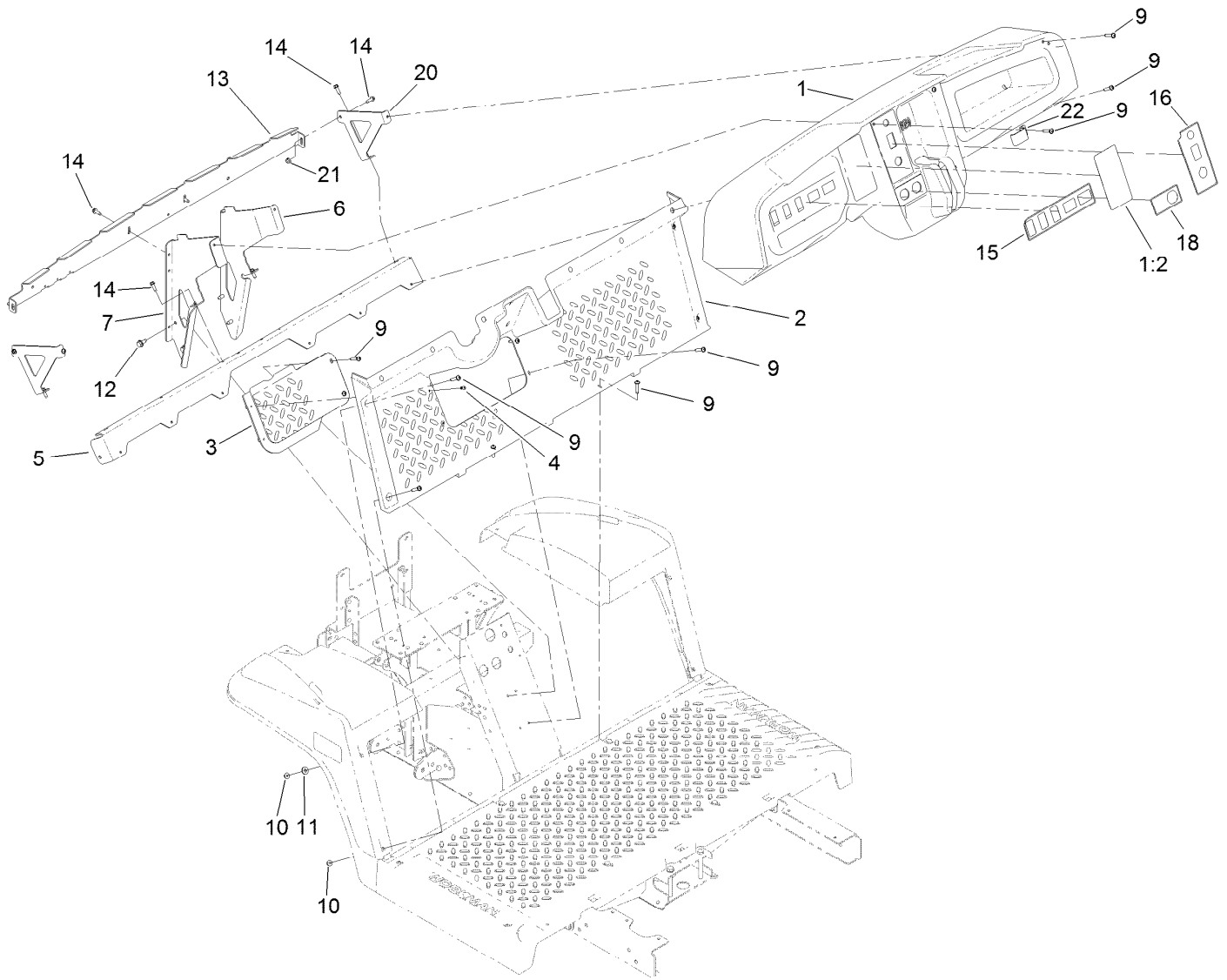
Pedal and Control Assembly

Ref.	Part Number	Qty.	Description	Ref.	Part Number	Qty.	Description
1	127-8817-03	1	Mount-Pedal	22	133-7212	1	Bushing-Detent, Shift
2	99-7407	1	Switch	23	116-6876	1	Screw-Shoulder
3	3290-134	2	Screw	24	131-8419	1	Spring-Extension
4	1-633181	1	Plate-Tapped	26	2411-38	1	Joint-Ball
5	127-8818-03	1	Pedal-Brake	27	127-8834-03	1	Mount-Brake, Park
6	127-8819-03	1	Pedal-Accelerator	28	87-3480	1	Bracket-Equalizer, Cable
7	256-116	4	Bushing-Flange	29	131-8320	1	Lever-Brake, Park
8	131-8459	2	Shaft-Pivot	30	127-8836-03	1	Link-Brake, Park
9	49-2040	5	Screw-HWHTF	31	32121-9	1	Pin-Roll, Slotted
10	1-809056	1	Screw-HSH	32	283-10	1	Pin-Clevis
11	32128-33	1	Nut-HF	33	1-808280	1	Pin-Clevis
12	67-1450	1	Spring-Idler	34	1-806003	2	Pin-Cotter
13	7-3900	1	Pad-Brake	35	3274-55	2	Screw-HSBH
14	32144-70	2	Screw-HWHTF	36	3296-27	1	Nut-Lock, NI
15	3234-29	1	Screw-HHF	37	104-7201	1	Nut-HF
16	104-8300	5	Nut-HF, NI	38	32128-20	1	Nut-HF
17	110-3318	2	Bushing-Snap	39	131-8463	1	Decal-Shift
18	127-8833	1	Arm-Shift	40	131-8462-01	1	Indicator-Shift
19	127-8830	1	Shaft-Shifter	41	3245-20	1	Screw-HSH
20	131-8473	1	Knob-Tapered	42	613529	1	Screw-Shoulder
21	133-7214	1	Arm-Detent				



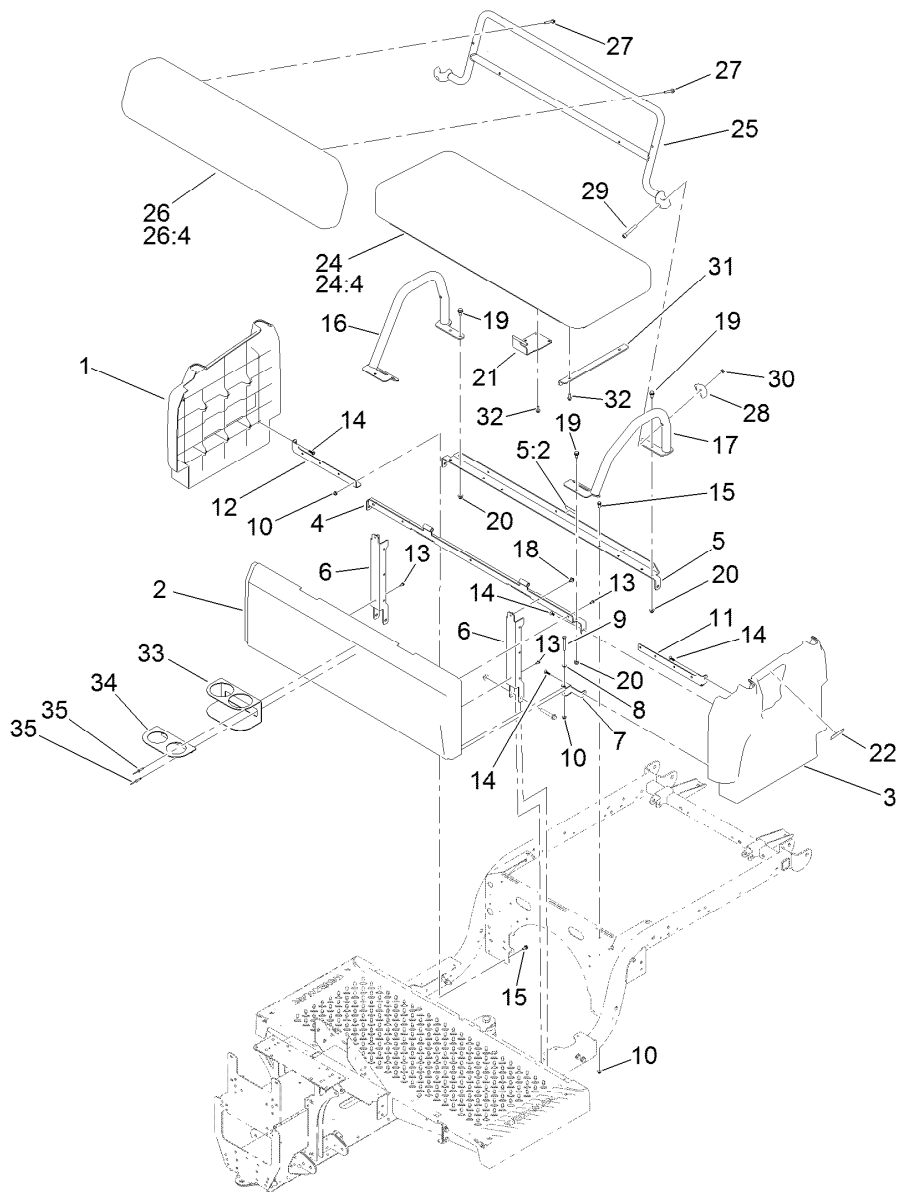
Hood and Fender Assembly

<i>Ref.</i>	<i>Part Number</i>	<i>Qty.</i>	<i>Description</i>	<i>Ref.</i>	<i>Part Number</i>	<i>Qty.</i>	<i>Description</i>
1	132-8530	1	Bumper	13	127-7772	1	Fender-Front, RH
2	131-8455-03	1	Bracket-Headlight, LH	14	3234-33	4	Screw-HHF
3	131-8456-03	1	Bracket-Headlight, RH	15	3256-2	4	Washer-Flat
4	46-8091	8	Screw-HWH	16	104-7201	4	Nut-HF
5	136-6318	2	Housing-Headlight, 12V	17	32144-70	2	Screw-HWHTF
6	115-2408	6	Clip-Speed	18	125-1122	2	Screw
7	136-6281	1	Hood	19	131-8402	2	Strap-Down, Hold
8	117-5094	2	Pin-Clevis	20	3296-56	2	Nut-Lock, NI
9	32121-50	2	Pin-Spring	21	131-8515	2	Decal-Fender
10	112-3308	2	Retainer-Pin	22	133-0574	2	Bulb-LED
11	121-9605	6	Screw-HWH	23	133-7210	1	Seal-Trim, Hood
12	127-7771	1	Fender-Front, LH				



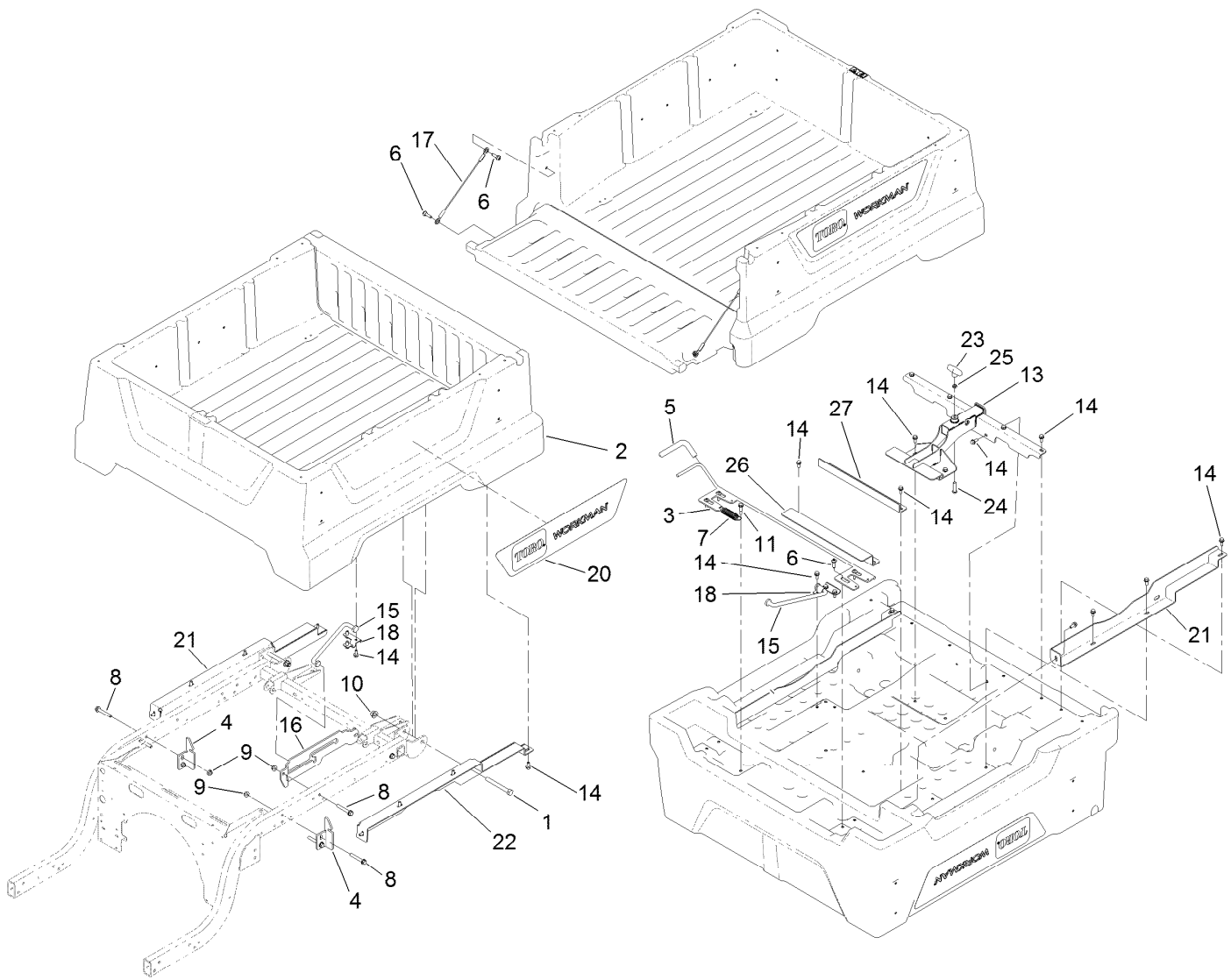
Dash Assembly

Ref.	Part Number	Qty.	Description	Ref.	Part Number	Qty.	Description
1	131-8593	1	Dash	11	3256-2	2	Washer-Flat
1:2	131-8414	1	Decal-Danger	12	32144-70	4	Screw-HWHTF
2	127-7846	1	Footboard	13	131-8568-03	1	Reinforcement-Dash
3	127-7847	1	Cover-Footboard	14	49-2040	8	Screw-HWHTF
4	107-7461	2	Screw-Plastite	15	131-8492	1	Decal-Dashboard
5	127-7831-03	1	Angle	16	131-8413	1	Decal-Panel, Control
6	131-8336-03	1	Bracket-Dash, RH	18	131-8493	1	Decal-USB
7	131-8335-03	1	Bracket-Dash, LH	20	131-8569-03	2	Bracket-Dash, Side
9	132-6777	20	Screw-TTH	21	104-7201	2	Nut-HF
10	104-7201	4	Nut-HF	22	133-7111-03	1	Bracket-Mount, Radio



Seatbase Assembly

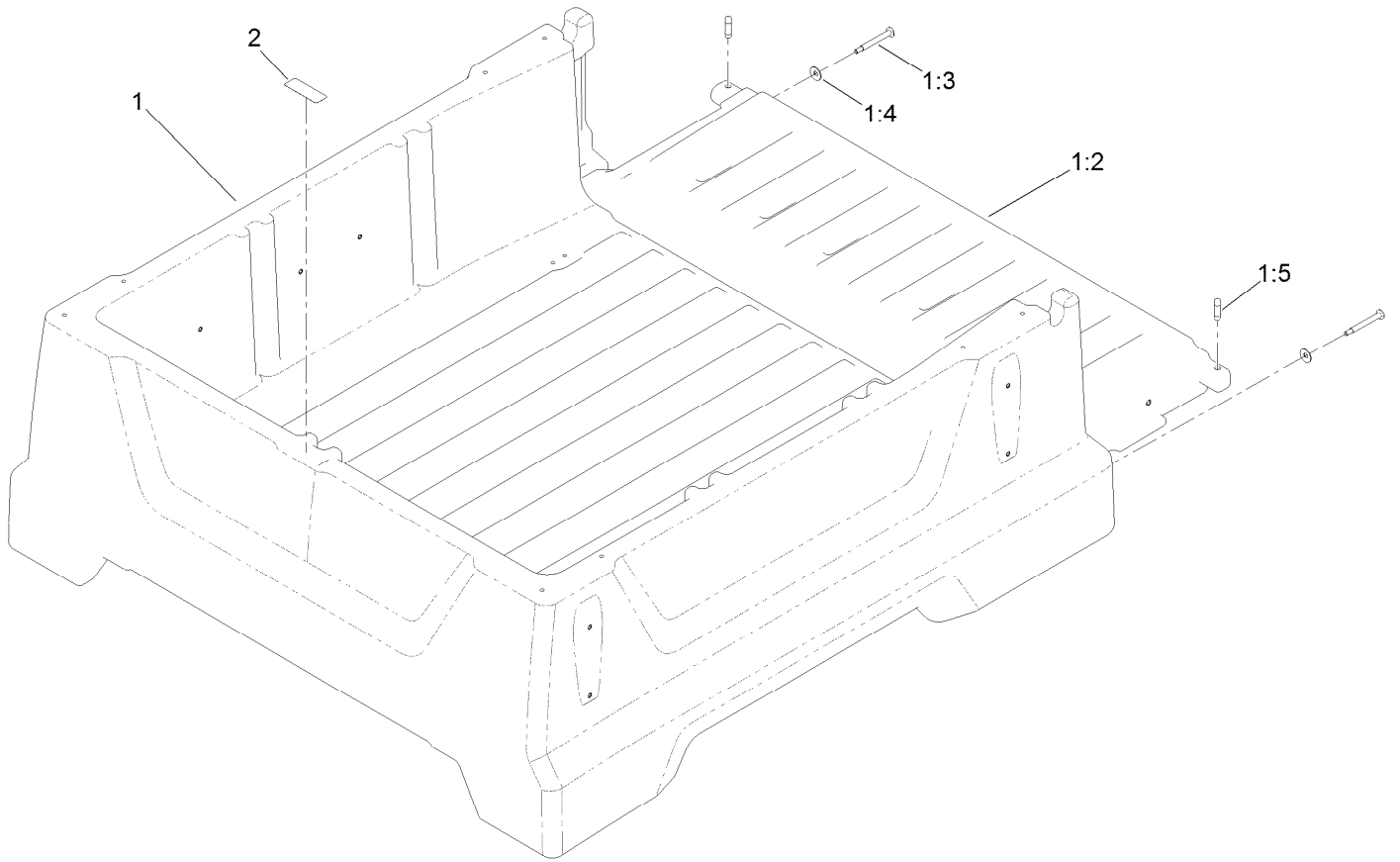
Ref.	Part Number	Qty.	Description	Ref.	Part Number	Qty.	Description
1	127-7805	1	Side-Base, Seat (RH)	20	104-8300	6	Nut-HF, NI
2	133-7188	1	Panel-Base, Seat	21	133-7167-03	2	Bracket-Hinge, Seat
3	127-7807	1	Side-Base, Seat (LH)	22	131-8410	1	Decal-Danger, Fuel
4	133-7345-03	1	Support-Seat	24	133-7185	1	Bench Seat Bottom Cushion ASM
5	137-6991	1	Seat Support ASM	24:4	133-7121	1	Cover-Cushion, Bottom
5:2	120-9570	1	Decal-Warning	25	133-3079-05	1	Back Rest
6	127-7841-03	2	Channel-Support, Seat	26	133-3084	1	Bench Seat Back Rest ASM
7	127-7844-03	2	Clamp-Plate, Floor	26:4	133-7120	1	Cover-Rest, Back
8	3256-22	2	Washer-Flat	27	32105-18	6	Screw-HHF
9	321-18	2	Screw-HH	28	132-8586-05	2	Casting-Mount, Bench Seat (Back)
10	104-7201	8	Nut-HF	29	131-8591	2	Screw-HSH
11	127-7842-03	1	Bracket-Support, Side (LH)	30	3296-59	2	Nut-Lock, NI
12	127-7843-03	1	Bracket-Support, Side (RH)	31	133-7186-03	2	Bracket-Support, Bench Seat
13	112-6349	5	Screw-HWH				Seat
14	120-2349	8	Screw	32	3234-4	8	Screw-HHF
15	3234-33	6	Screw-HHF	33	133-7122-05	1	Bracket-Holder, Cup
16	131-8352-05	1	Restraint-Hip, RH	34	133-7133-05	1	Bracket-Divider, Cup Holder
17	131-8353-05	1	Restraint-Hip, LH	35	133-7130	4	Rivet-Pop
18	46-6810	2	Screw And Washer ASM				
19	32144-70	6	Screw-HWHTF				



Cargo Bed Assembly

Ref.	Part Number	Qty.	Description
1	325-18	2	Screw-HH
2	131-8592	1	Cargo Bed And Tailgate ASM
3	132-8524	1	Latch
4	127-7428-03	2	Striker-Latch, Bed
5	132-8515	1	Grip-Handle
6	119-2267	8	Screw-Shoulder, BHTF
7	106-5598	1	Spring-Extension
8	3234-39	6	Screw-HHF
9	104-8301	6	Nut-HF, NI
10	99-5107	2	Nut-Lock
11	116-8607	1	Screw-Shoulder
13	132-8523-03	1	Attachment-Quick, Class 1

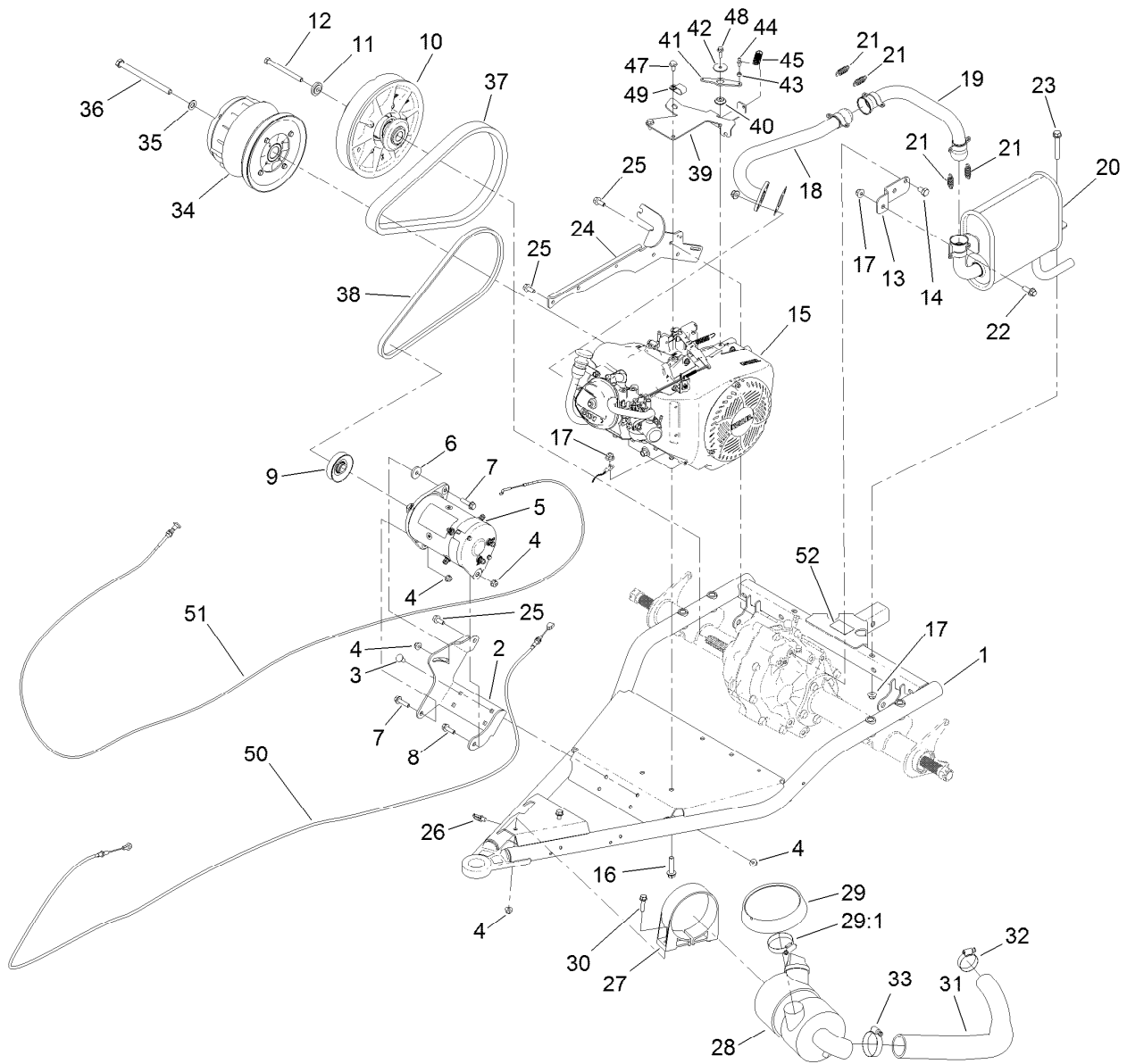
Ref.	Part Number	Qty.	Description
14	3234-5	25	Screw-HHF
15	132-8517	1	Rod-Prop
16	132-8518	1	Bracket-Rod, Prop
17	121-6343	2	Lanyard-Tailgate
18	132-0839	1	Bracket-U, Prop Rod
20	132-8538	2	Decal-Workman
21	133-3042-03	1	Support-Cargo Bed, RH
22	133-3043-03	1	Support-Cargo Bed, LH
23	133-3056	1	Handle-T
24	95-3857	1	Screw-HSBH
25	3218-3	1	Nut-Jam
26	133-3099-03	1	Brace-Bed, Extended
27	132-8526-03	1	Brace-Middle, Bed



Cargo Bed and Tailgate Assembly No. 131-8592

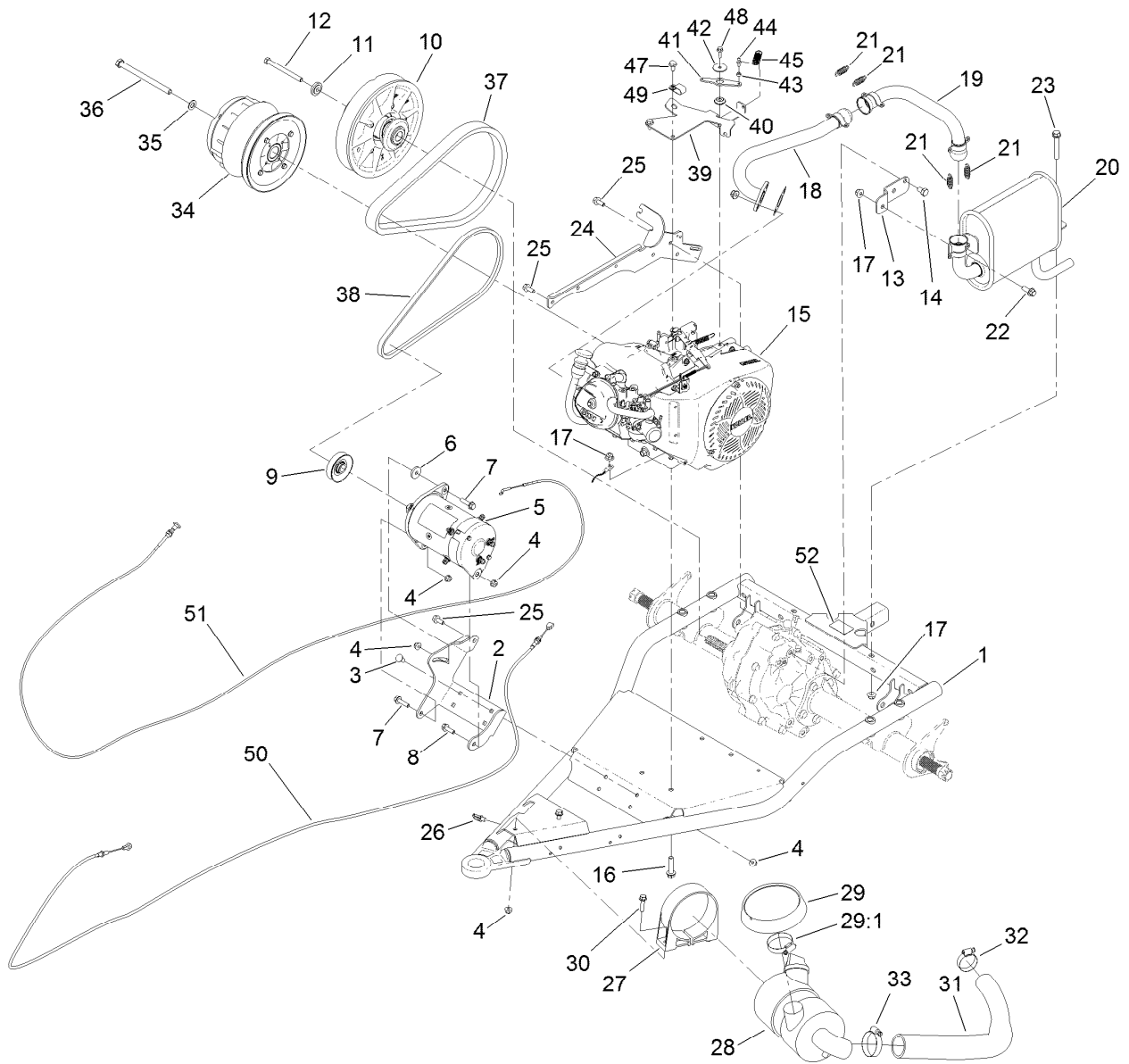
<i>Ref.</i>	<i>Part Number</i>	<i>Qty.</i>	<i>Description</i>
1		1	Cargo Bed And Tailgate ASM ●
1:2	132-0841	1	Tailgate
1:3	133-7100	2	Screw-Shoulder, Bh (Torx)
1:4	3290-456	2	Washer-Belleville
1:5	133-7146	2	Plug-Tailgate, Anti-Rattle
2	115-7739	1	Decal-No Riders

● Not serviced separately



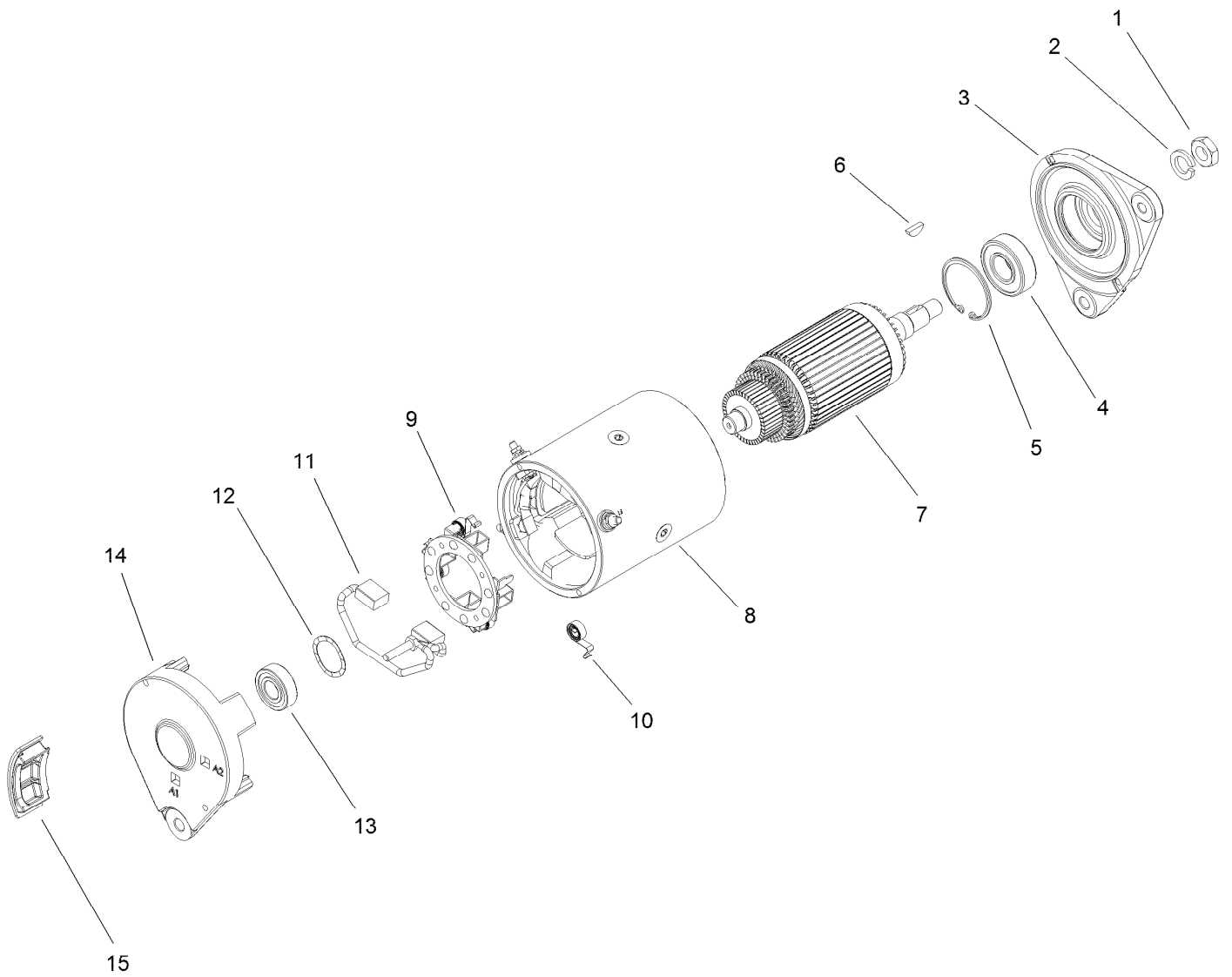
Engine Assembly

Ref.	Part Number	Qty.	Description	Ref.	Part Number	Qty.	Description
1	131-8520-03	1	Arm-Swing	22	3234-42	1	Screw-HHF
2	131-8503-03	1	Bracket-Starter/Generator	23	3234-39	1	Screw-HHF
3	3230-23	4	Screw-CARR	24	131-8501-03	1	Bar-Spanner
4	104-8300	9	Nut-HF, NI	25	95-4184	6	Screw-HHF
5	131-8444	1	Starter/Generator ASM	26	32180-030	1	Clip-Tie
6	65-8270	1	Washer	27	95-5806	1	Bracket-Mounting, Air Cleaner
7	119-4036	2	Screw-HHF	28	99-7120	1	Air Cleaner ASM
8	3234-29	1	Screw-HHF	29	120-4848	1	Hood-Inlet, Air
9	121-6277	1	Pulley-Drive	29:1	2412-130	1	Clamp-Hose
10	119-6011	1	Secondary Clutch ASM	30	3234-36	2	Screw-HHF
11	104-6563	1	Washer-Stepped	31	131-8489	1	Hose-Intake, Air
12	119-0723	1	Screw-HH, Lock	32	2412-111	1	Clamp
13	131-8329	1	Bracket-Muffler	33	2412-92	1	Clamp-Hose
14	70-8470	2	Screw-HH	34	131-8500	1	Primary Clutch ASM
15	131-8502	1	Engine-Kohler, Ch440	35	3256-25	1	Washer-Flat
16	3234-19	4	Screw-HHF	36	131-8521	1	Screw-HH
17	104-8301	6	Nut-HF, NI	37	131-8567	1	Belt-Variable
18	131-8510	1	Manifold-Exhaust	38	94-8803	1	V-Belt, Impeller
19	131-8332	1	Pipe-Intermediate	39	131-8505	1	Bracket-Throttle
20	131-8334	1	Muffler	40	131-8524	1	Bushing-Flange
21	104-6478	4	Spring-Extension				



Engine Assembly (continued)

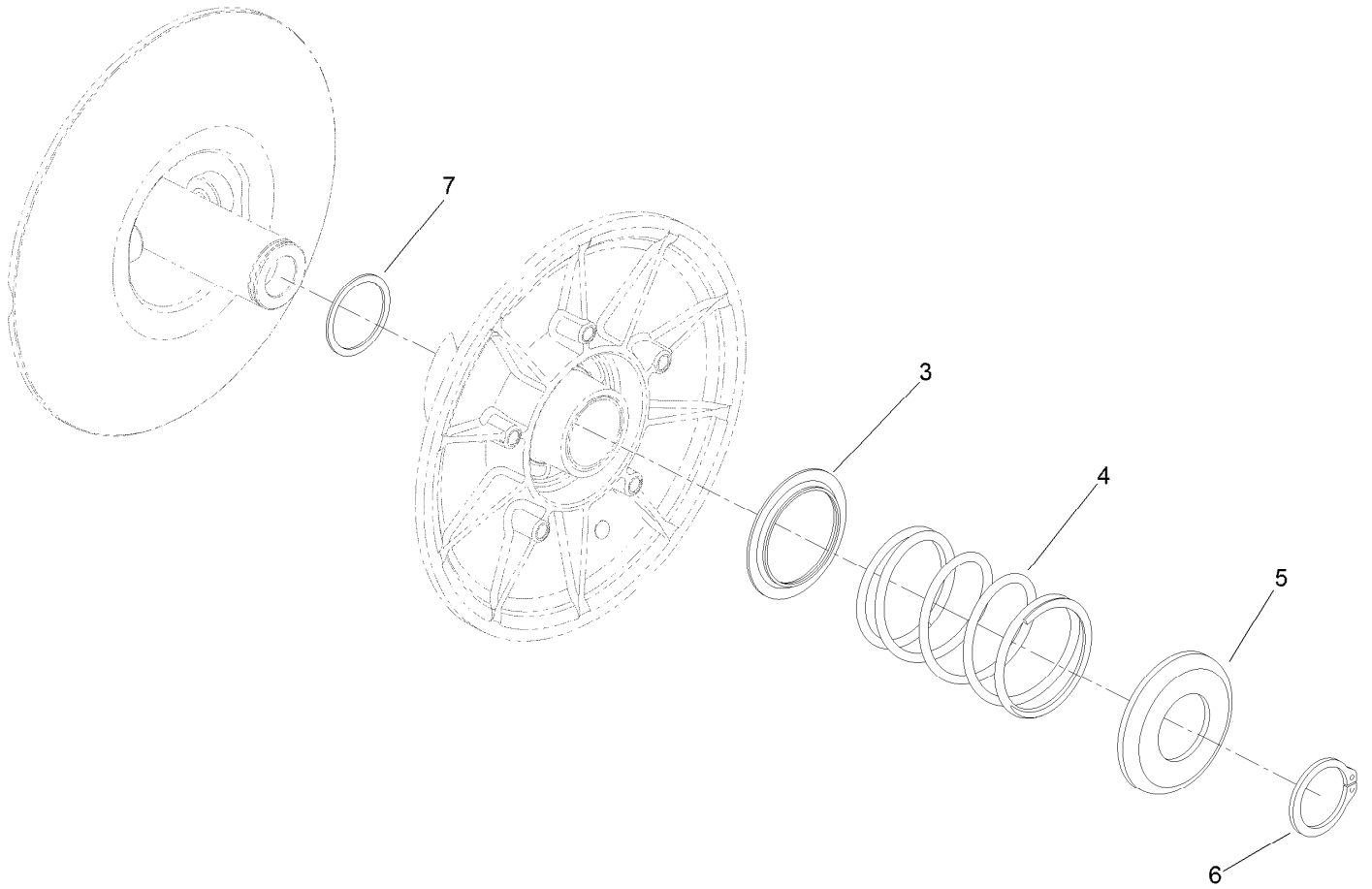
<i>Ref.</i>	<i>Part Number</i>	<i>Qty.</i>	<i>Description</i>	<i>Ref.</i>	<i>Part Number</i>	<i>Qty.</i>	<i>Description</i>
41	131-8504	1	Lever-Throttle	48	33103-020	1	Screw-HHF
42	3256-55	1	Washer-Flat	49	2412-105	1	Clamp-Tube, Double
43	110-2619	1	Keeper-Spring	50	127-8860	1	Cable-Accelerator
44	99-7847	1	Ball-Stud	51	131-8540	1	Cable-Choke
45	71-5470	1	Spring-Brake	52	131-8598	1	Decal-Rating, Hitch
47	33104-016	2	Screw-HHF				



Starter Generator Assembly No. 131-8444

Ref.	Part Number	Qty.	Description
1	119-9651	1	Nut
2	119-9652	1	Washer-Lock
3	133-0599	1	Head-Drive End
4	119-9655	1	Bearing
5	119-9656	1	Ring-Retaining
6	119-9657	1	Key-Woodruff
7	119-9658	1	Armature ASM
8		1	Frame And Field Assembly ●
9	119-9661	1	Brush Box ASM
10	119-9660	4	Spring-Brush
11	119-9659	1	Brush Lead And Terminal Service Kit
12	119-9662	1	Washer-Wave
13	119-9663	1	Bearing
14		1	Head-End, Cummutator ●
15	133-0600	4	Plug-Rubber

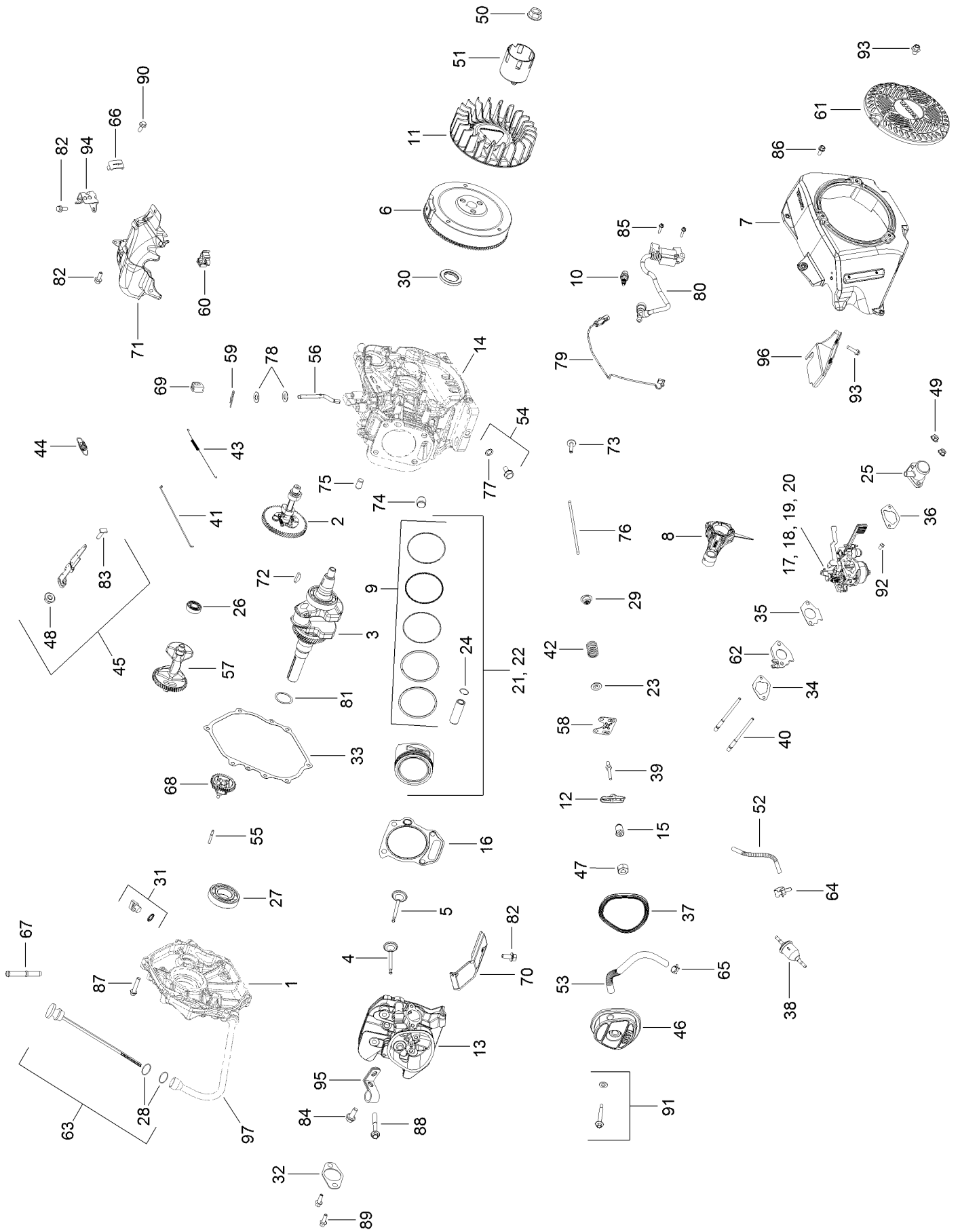
● Not serviced separately



Secondary Clutch Assembly No. 119-6011

<i>Ref.</i>	<i>Part Number</i>	<i>Qty.</i>	<i>Description</i>
3	119-0809	1	Cup-Spring Retainer, Inner
4	119-9360	1	Spring-Compression, Black/Almond
5	119-0810	1	Cup-Spring Retainer, Outer
6	119-0811	1	Ring-Retaining
7	119-6018	1	Shim-Thrust

Engine Assembly No. 131-8502



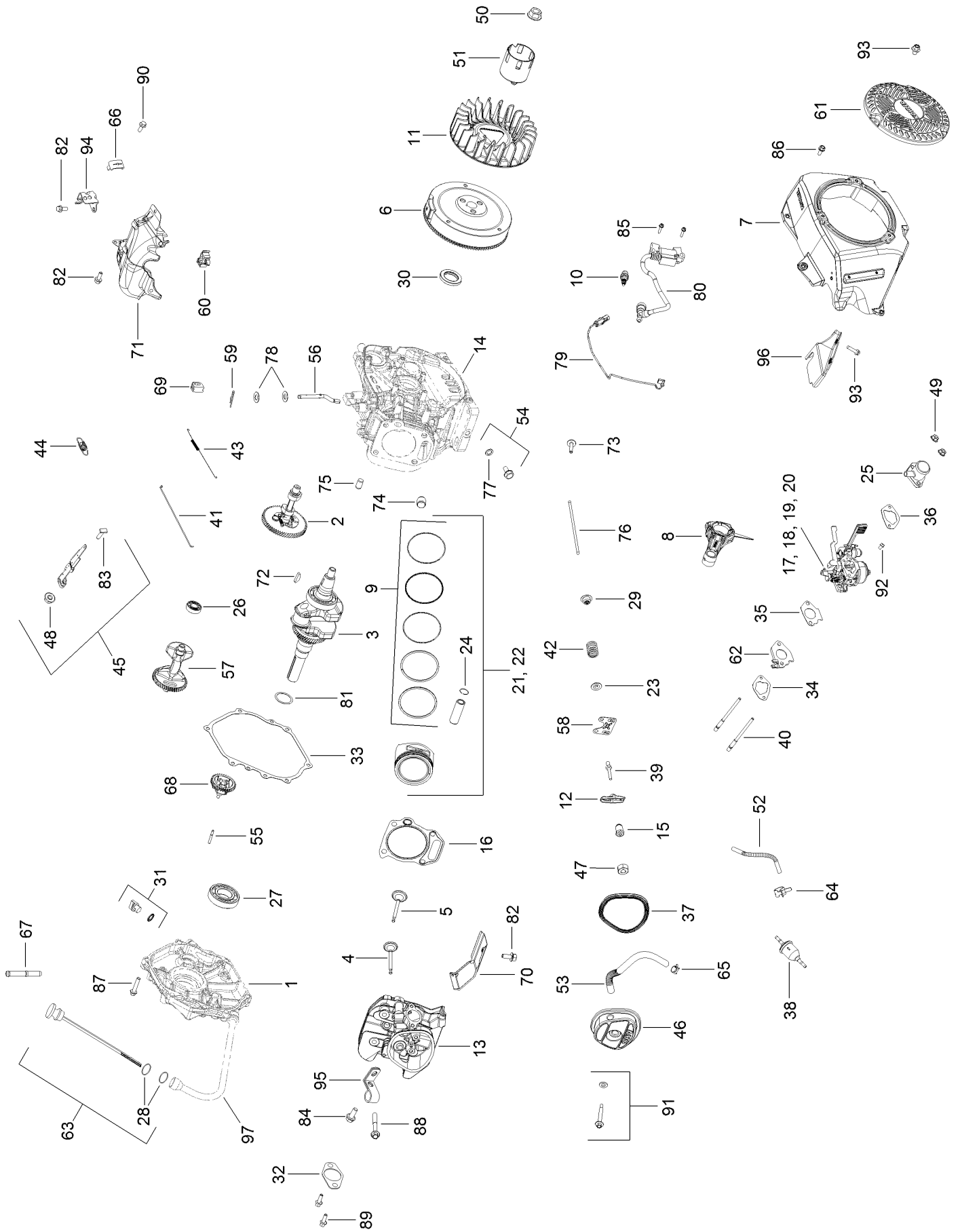
Engine Assembly No. 131-8502 (continued)

Ref.	Part Number	Qty.	Description	Ref.	Part Number	Qty.	Description
1		1	Plate-Closure ■	19:1:1		1	Gasket (Insulator To Head) ●■
2	136-4908	1	Camshaft ASM	19:1:2	136-4925	1	Gasket (Carb To Insulator) ●
3	136-4909	1	Crankshaft ASM	19:1:3	136-4926	1	Gasket-Cleaner, Air ●
4	136-4910	1	Valve-Exhaust	19:2		1	Needle/Float ASM ●■
5	136-4911	1	Valve-Intake	19:3		1	Pin-Hinge ●■
6	136-4914	1	Flywheel	19:4		1	O-Ring (Bowl Screw) ●■
7	136-4915	1	Blower Housing Kit	19:5		2	O-Ring (Idle Jet) ●■
8	136-4928	1	Connecting Rod ASM	19:6		1	O-Ring (Sediment Bowl) ●■
9	136-4937	1	Ring Set	19:7		1	O-Ring ●■
10	130-8380	1	Spark Plug	20	133-7277	1	Carburetor-Complete
11	136-4949	1	Fan-Flywheel	20:1		1	Carburetor Asm ●■
12	136-4953	2	Arm-Rocker	20:2	136-4924	1	Intake Gasket Kit ●
13	136-4961	1	Cylinder Head Kit	20:2:1		1	Gasket (Insulator To Head) ●■
13:1		1	Head-Cylinder ●■	20:2:2	136-4925	1	Gasket (Carb To Insulator) ●
13:2	136-4929	2	Stud-Intake ●	20:2:3	136-4926	1	Gasket-Cleaner, Air ●
14		1	Crankcase ■	21	136-4977	1	Piston W/Ring Set (STD)
15	136-4907	2	Pivot-Arm, Rocker	21:1		1	Piston (STD) ●■
16	136-4975	1	Head Gasket Kit	21:2	136-4937	1	Ring Set ●
16:1		1	Gasket-Head ●■	21:3	136-4913	2	Retainer-Piston ●
16:2	136-4924	1	Intake Gasket Kit ●	21:4		1	Wrist Pin ●■
16:2:1		1	Gasket (Insulator To Head) ●■	22	136-4978	1	Piston Kit (0.25 Os)
16:2:2	136-4925	1	Gasket (Carb To Insulator) ●	22:1		1	Piston (0.25 Os) ●■
16:2:3	136-4926	1	Gasket-Cleaner, Air ●	22:2		1	Ring Set (0.25 Os) ●■
16:3	136-4922	1	Gasket-Muffler ●	22:3	136-4913	2	Retainer-Piston ●
17	133-7275	1	High Altitude Kit (4000 To 8000 Ft)	22:4		1	Pin-Wrist ●■
17:1		1	Jet-Main (4000 To 8000 Ft) ●■	23	136-4912	2	Retainer-Spring, Valve
17:2	136-4974	1	Carburetor Repair Kit ●	24	136-4913	1	Retainer-Piston
17:2:1	136-4924	1	Intake Gasket Kit ●	25	136-4916	1	Adapter-Inlet, Air
17:2:1:1		1	Gasket (Insulator To Head) ●■	26	136-4917	2	Bearing-Shaft, Balance
17:2:1:2	136-4925	1	Gasket (Carb To Insulator) ●	27	136-4918	2	Bearing-Crankshaft
17:2:1:3	136-4926	1	Gasket-Cleaner, Air ●	28	136-4947	2	O-Ring (Dipstick Cap)
17:2:2		1	Needle/Float ASM ●■	29	136-4919	2	Seal-Stem, Valve
17:2:3		1	Pin-Hinge ●■	30	136-4920	2	Seal-Crankshaft
17:2:4		1	O-Ring (Bowl Screw) ●■	31	136-4952	1	Oil Fill Cap ASM
17:2:5		2	O-Ring (Idle Jet) ●■	31:1		1	Oil Fill Cap ●■
17:2:6		1	O-Ring (Sediment Bowl) ●■	31:2		1	Gasket ●■
17:2:7		1	O-Ring ●■	32	136-4922	1	Gasket-Muffler
18	133-7276	1	High Altitude Kit (8000 Ft Plus)	33	136-4923	1	Gasket-Plate, Closure
18:1		1	Jet-Main (8000 Ft Plus) ●■	34	136-4924	1	Intake Gasket Kit
18:2	136-4974	1	Carburetor Repair Kit ●	34:1		1	Gasket (Insulator To Head) ●■
18:2:1	136-4924	1	Intake Gasket Kit ●	34:2	136-4925	1	Gasket (Carb To Insulator) ●
18:2:1:1		1	Gasket (Insulator To Head) ●■	34:3	136-4926	1	Gasket-Cleaner, Air ●
18:2:1:2	136-4925	1	Gasket (Carb To Insulator) ●	35	136-4925	1	Gasket (Carb To Insulator)
18:2:1:3	136-4926	1	Gasket-Cleaner, Air ●	36	136-4926	1	Gasket-Cleaner, Air
18:2:2		1	Needle/Float ASM ●■	37	136-4927	1	Gasket-Cover, Valve
18:2:3		1	Pin-Hinge ●■	38	131-8588	1	Filter-Fuel (75 Micron Gravy Feed)
18:2:4		1	O-Ring (Bowl Screw) ●■	39	136-4900	2	Stud-Arm, Rocker
18:2:5		2	O-Ring (Idle Jet) ●■	40	136-4929	2	Stud-Intake
18:2:6		1	O-Ring (Sediment Bowl) ●■	41	136-4930	1	Linkage-Governor
18:2:7		1	O-Ring ●■	42	136-4931	2	Spring-Valve
19	136-4974	1	Carburetor Repair Kit	43	136-4932	1	Spring-Linkage
19:1	136-4924	1	Intake Gasket Kit ●	44	136-4933	1	Spring-Governor
				45	136-4934	1	Governor Lever Kit
				45:1		1	Lever-Governor ●■

● Not illustrated

■ Not serviced separately

Engine Assembly No. 131-8502 (continued)

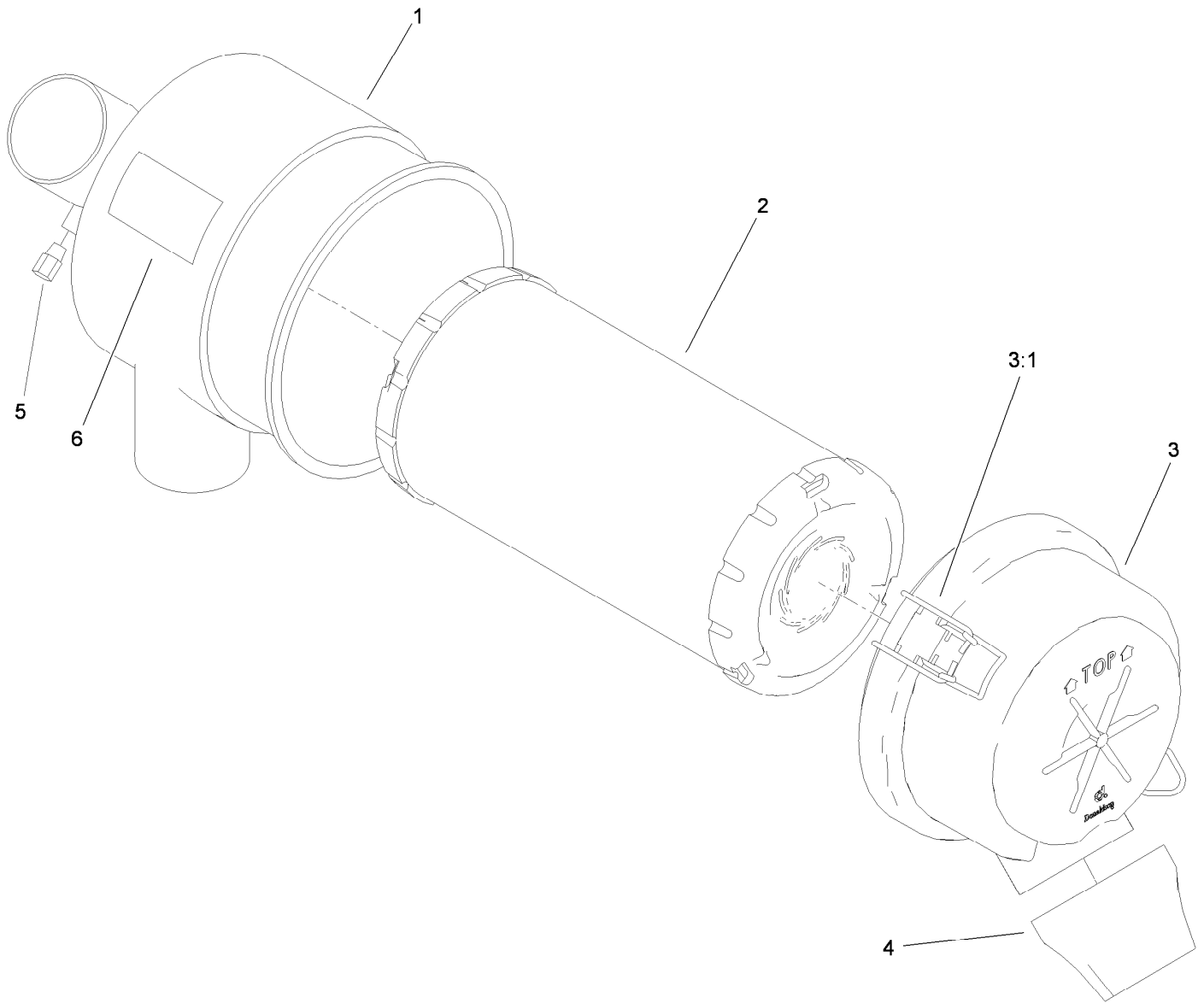


Engine Assembly No. 131-8502 (continued)

<i>Ref.</i>	<i>Part Number</i>	<i>Qty.</i>	<i>Description</i>	<i>Ref.</i>	<i>Part Number</i>	<i>Qty.</i>	<i>Description</i>
47	136-4901	2	Nut-HJ	70	136-4959	1	Shield-Head, Cylinder
48	136-4902	1	Nut-HF	71	136-4960	1	Shield-Heat, Upper
49	136-4903	2	Nut-HF, Lock	72	136-4906	1	Key-Flywheel
50	136-4936	1	Nut-Flywheel	73	136-4963	2	Lifter-Valve
51	136-4938	1	Cup-Drive, Starter	74	136-4964	2	Pin-Dowel, Cylinder Head
52	136-4939	1	Hose-Fuel	75	136-4965	2	Pin-Dowel
53	136-4962	1	Hose-Breather	76	136-4966	2	Rod-Push
54	136-4942	2	Drain Plug Kit	77	136-4967	2	Washer-Plug, Drain
54:1		1	Plug-Drain ●■	78	136-4968	2	Washer-Flat
54:2	136-4967	1	Washer-Plug, Drain ●	79	136-4969	1	Lead (Ground To Kill)
55	136-4943	1	Shaft-Gear, Governor	80	136-4970	1	Module-Ignition
56	136-4944	1	Shaft-Cross, Governor	81	136-4971	1	Shim Kit
57	136-4945	1	Shaft-Balance	82	136-4979	5	Screw-HF
58	136-4946	1	Plate-Guide, Pushrod	83	136-4980	1	Screw-Rect Head
59	136-4904	1	Clip-Shaft, Governor	84	136-4991	1	Screw-HF
60	136-4948	1	Clip-Harness, Wire	85	136-4981	2	Screw
61	136-4950	1	Screen-Housing, Blower	86	136-4982	5	Screw
62	136-4951	1	Insulator Kit	87	136-4983	7	Screw-Plate, Closure
62:1		1	Insulator ●■	88	136-4984	4	Screw-CYL HD, HF
62:2	136-4924	1	Intake Gasket Kit ●	89	136-4985	2	Screw
62:2:1		1	Gasket (Insulator To Head) ●■	90	136-4986	1	Screw-Hex, Phillips
62:2:2	136-4925	1	Gasket (Carb To Insulator) ●	91	136-4988	1	Screw (Valve Cover Seal ASM)
62:2:3	136-4926	1	Gasket-Cleaner, Air ●	91:1		1	Screw-Cover, Valve ●■
63	136-4921	1	Dipstick ASM	91:2		1	Gasket-Screw, Valve Cover ●■
63:1		1	Dipstick ●■	92	136-4989	1	Screw-Drain, Bowl
63:2		2	O-Ring (Dipstick Cap) ●■	93	136-4987	5	Screw-HF
64	136-4905	2	Clamp-Line, Fuel	94	136-4940	1	Remote Choke Bracket ASM
65	136-4990	1	Clamp-Hose	95	136-4941	1	Bracket-Tube, Dipstick
66	136-4954	1	Clamp-Cable	96	136-4958	1	Flywheel Finger Guard ASM
67	136-4955	1	Fitting-Pump, Pulse	97		1	Tube-Dipstick ■
68	136-4956	1	Governor ASM				
69	136-4957	1	Grommet-Crankcase				

● Not illustrated

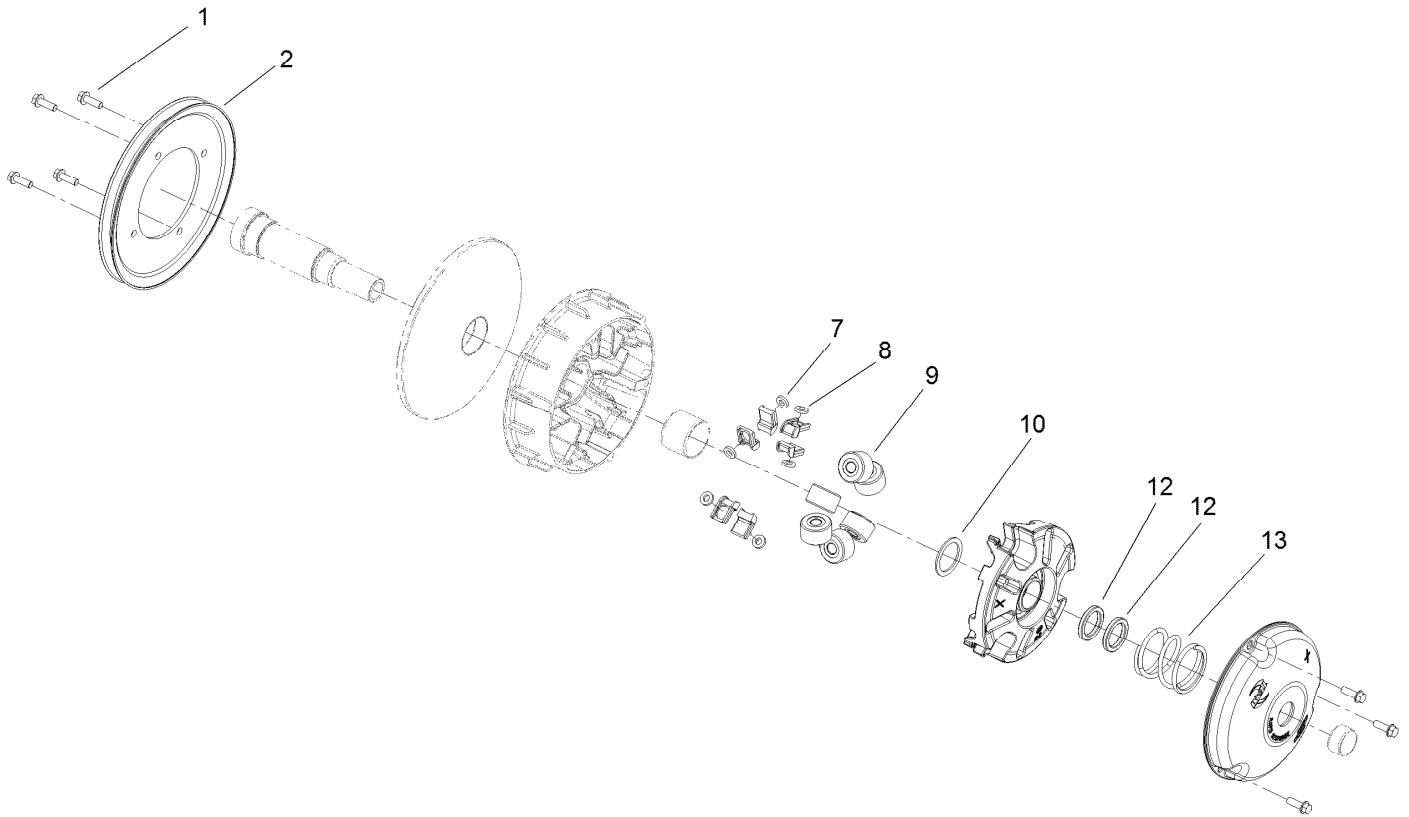
■ Not serviced separately



Air Cleaner Assembly No. 99-7120

Ref.	Part Number	Qty.	Description
1		1	Body ●
2	108-3811	1	Filter-Air
3	94-3652	1	Cover ASM
3:1	1-643283	2	Latch-Cleaner, Air
4	87-9400	1	Valve-Vacuator
5		1	Plug ●
6		1	Marking ●

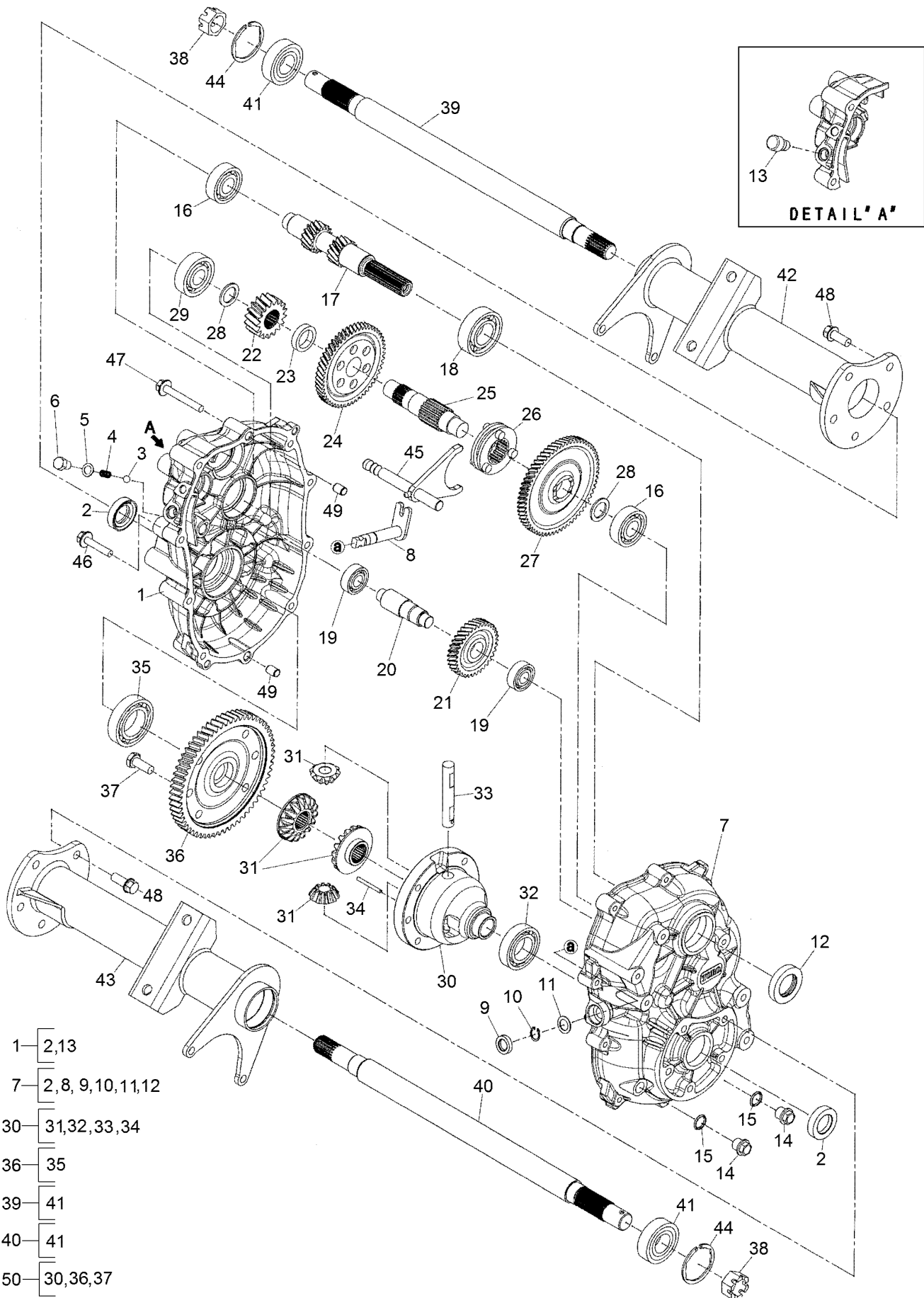
● Not serviced separately



Primary Clutch Assembly No. 131-8500

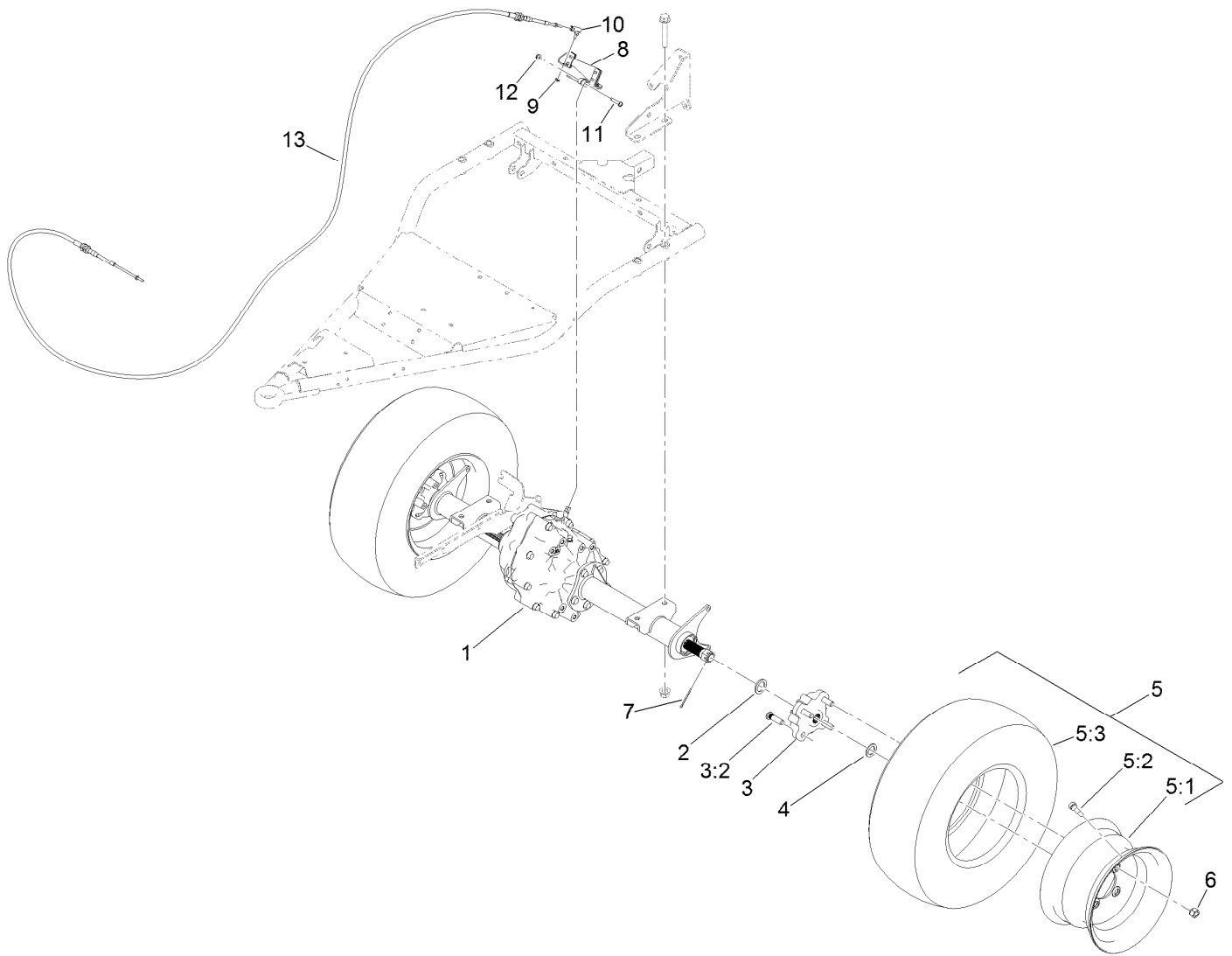
<i>Ref.</i>	<i>Part Number</i>	<i>Qty.</i>	<i>Description</i>
1	49-2040	7	Screw-HWHTF
2	119-0813	1	Pulley-Primary
7	127-8689	6	Button-Primary, Torque
8	127-8690	6	Plug-Button, Torque
9	119-0804	6	Weight-Roller
10	119-0812	1	Shim-Spider
12	119-0807	2	Shim-Limiter
13	119-9532	1	Spring-Red/White

Transaxle Assembly No. 131-3486



Transaxle Assembly No. 131-3486 (continued)

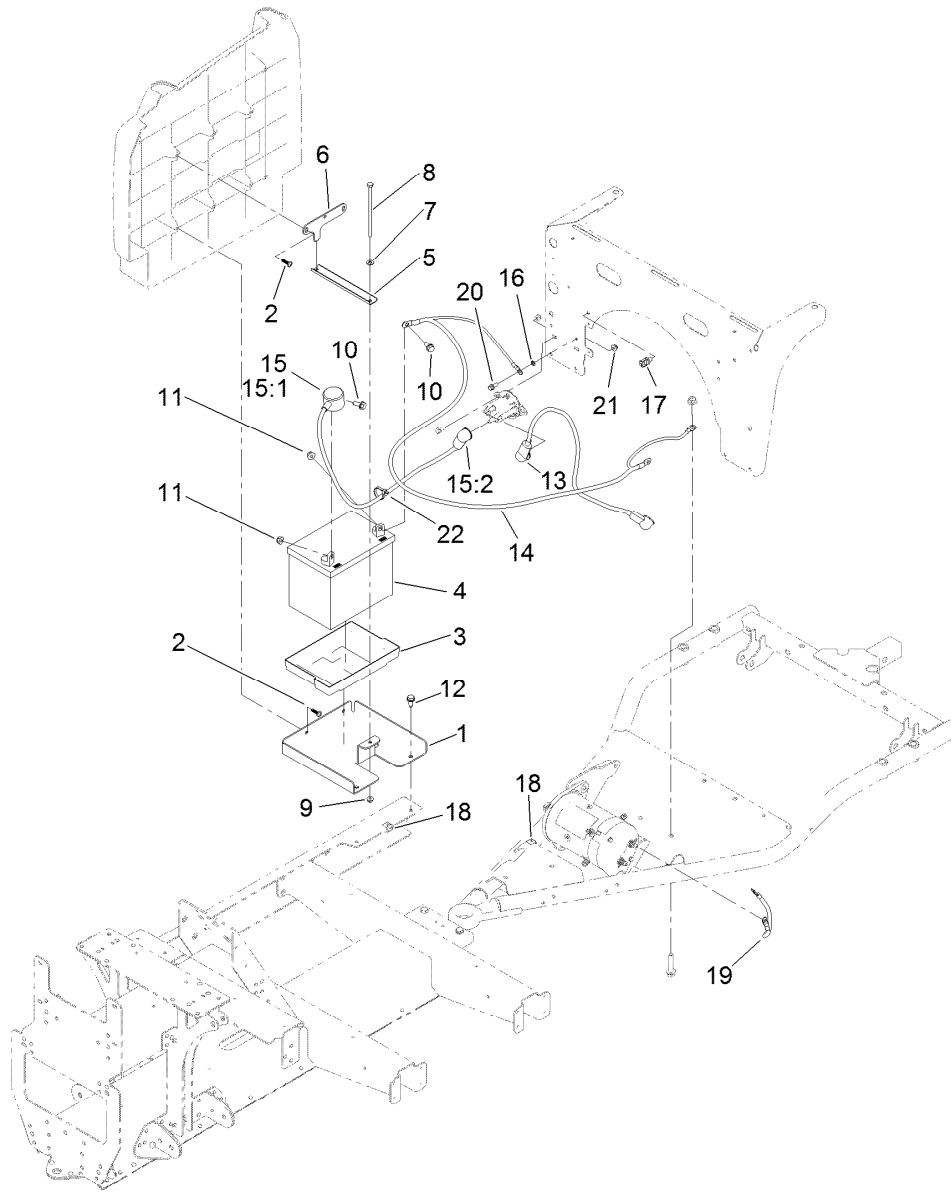
<i>Ref.</i>	<i>Part Number</i>	<i>Qty.</i>	<i>Description</i>	<i>Ref.</i>	<i>Part Number</i>	<i>Qty.</i>	<i>Description</i>
1	133-2400	1	Case-LH	26	133-2419	1	Clutch-Pin
2	133-2401	2	Seal-Oil	27	133-2420	1	Gear
3	104-1660	1	Ball-Steel	28	133-2421	2	Spacer
4	104-1661	1	Spring	29	133-2422	1	Bearing-Ball
5	104-1662	1	Gasket	30	133-2423	1	Case-Differential
6	104-1663	1	Bolt	31	133-2424	1	Set-Gear, Differential
7	133-2402	1	Case-RH	32	133-2425	1	Bearing-Ball
8	133-2403	1	Shaft-Select	33	104-1644	1	Shaft-Differential
9	133-2446	1	Seal-Oil	34	104-1645	1	Pin
10	133-2404	1	Ring-Snap	35	133-2426	1	Bearing-Ball
11	133-2405	1	Spacer	36	133-2427	1	Gear
12	104-1607	1	Seal-Oil	37	104-1649	6	Bolt
13	133-2406	1	Breather-Air	38	133-2428	2	Nut-Castle
14	133-2407	2	Plug-Drain, Oil	39	133-2429	1	Shaft-Axle, LH
15	133-2408	2	Gasket	40	133-2430	1	Shaft-Axle, RH
16	133-2409	2	Bearing-Ball	41	133-2431	2	Bearing-Ball
17	133-2410	1	Shaft-Input	42	133-2432	1	Case-Axle, LH
18	133-2411	1	Bearing-Ball	43	133-2433	1	Case-Axle, RH
19	133-2412	2	Bearing-Ball	44	133-2434	2	Ring-Snap
20	133-2413	1	Shaft-Counter	45	133-2435	1	Shaft-Shift
21	133-2414	1	Gear	46	133-2436	1	Bolt-Flange
22	133-2415	1	Gear	47	133-2437	9	Bolt-Flange
23	133-2416	1	Collar	48	133-2438	10	Bolt-Flange
24	133-2417	1	Gear	49	133-2439	2	Pipe-Knock
25	133-2418	1	Shaft-Center	50	133-2440	1	Differential ASM



Rear Wheel and Transaxle Assembly

Ref.	Part Number	Qty.	Description
1	131-3486	1	Transaxle
2	131-8570	2	Spacer-Hardened
3	127-8848	2	Rear Hub ASM
3:2	10-6830	4	Stud-Type, Drive
4	3-7898	2	Washer-Thrust
5	131-8319	2	Tire/Wheel ASM
5:1	131-8317	1	Wheel
5:2	232-27	1	Stem-Valve
5:3	131-8318	1	Tire

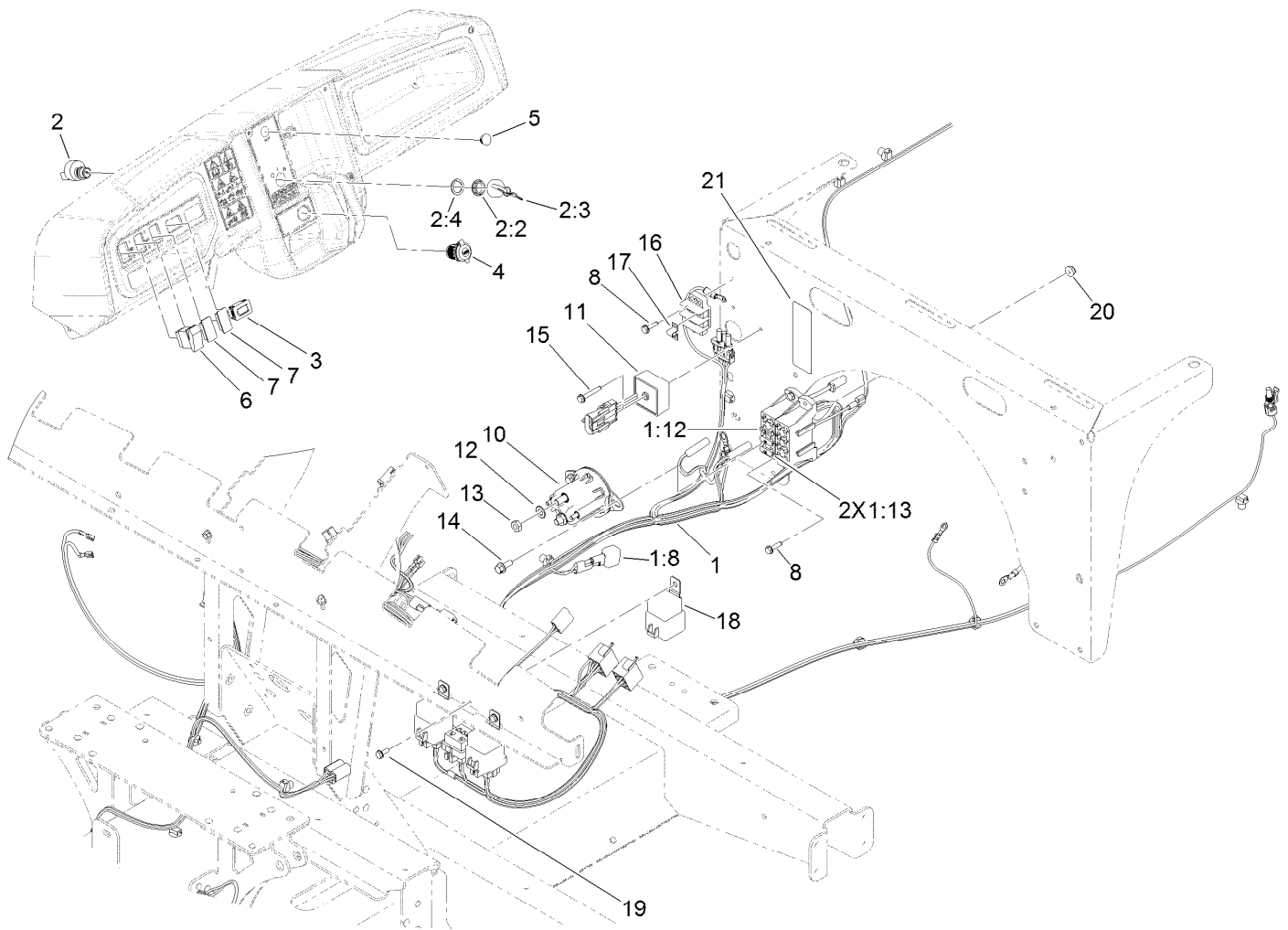
Ref.	Part Number	Qty.	Description
6	242-50	8	Nut-Lug
7	1-806800	2	Pin-Cotter
8	133-7260-03	1	Arm-Shift
9	3296-27	1	Nut-Lock, NI
10	2411-38	1	Joint-Ball
11	132-6777	1	Screw-TTH
12	104-7201	1	Nut-HF
13	127-8897	1	Cable-Shift



Battery and Cable Assembly

<i>Ref.</i>	<i>Part Number</i>	<i>Qty.</i>	<i>Description</i>	<i>Ref.</i>	<i>Part Number</i>	<i>Qty.</i>	<i>Description</i>
1	127-7810-03	1	Base-Battery	15	109-7621	1	Positive Battery Cable ASM
2	120-2349	4	Screw	15:1	1-543393	1	Insulator-Solenoid
3	106948	1	Tray-Battery	15:2	109-2407	1	Insulator-Battery
4	104-8162	1	Battery	16	3255-7	1	Washer-Lock/EXT
5	127-7816-03	1	Channel-Clamp, Battery	17	32180-030	1	Clip-Tie
6	127-7814-03	1	Plate-Clamp, Battery	18	32180-082	3	Clip-Edge W/Tie, Perpendicular
7	3256-22	1	Washer-Flat	19	99-7403	1	Cable-Negative
8	321-47	1	Screw-HH	20	3234-33	1	Screw-HHF
9	104-7201	1	Nut-HF	21	104-7201	1	Nut-HF
10	3234-5	2	Screw-HHF	22	3290-378	1	Tie-Cable
11	104-8300	2	Nut-HF, NI	99	107-0392	1	Protection-Terminal, Aerosol ●
12	32144-70	2	Screw-HWHTF				
13	122-0639	1	Cable-Battery, Positive				
14	122-0638	1	Cable-Battery, Negative				

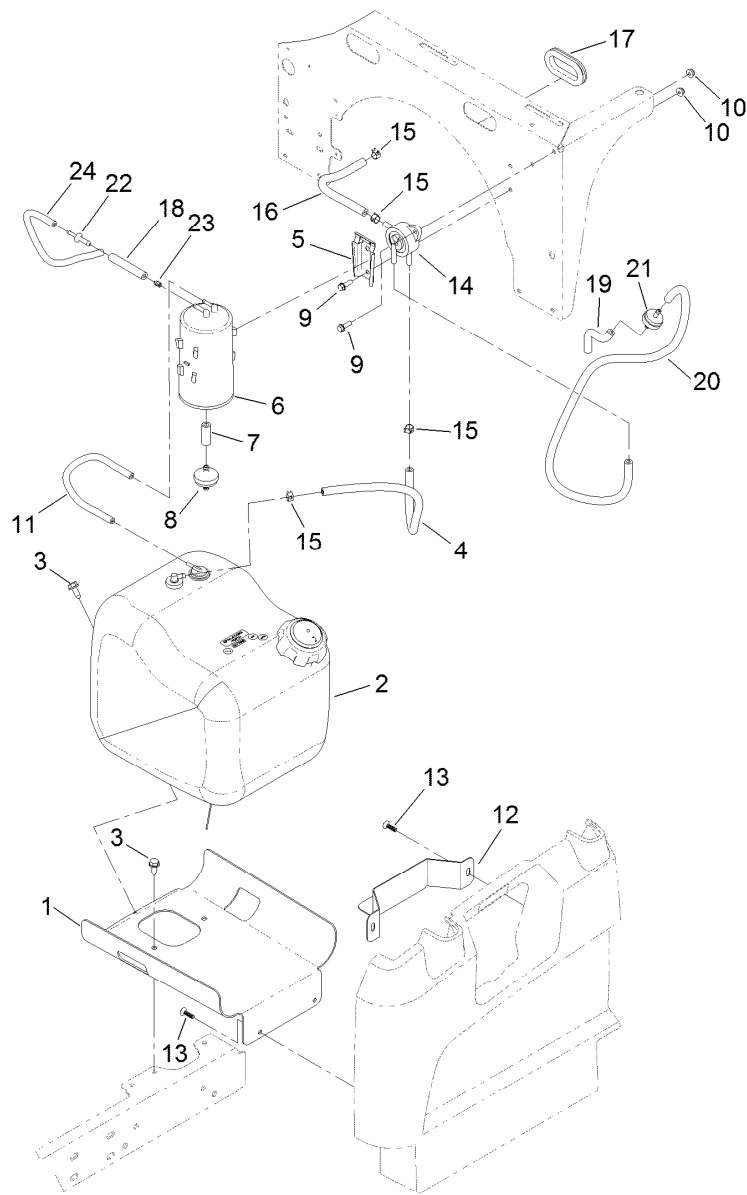
● Not illustrated



Electrical Assembly

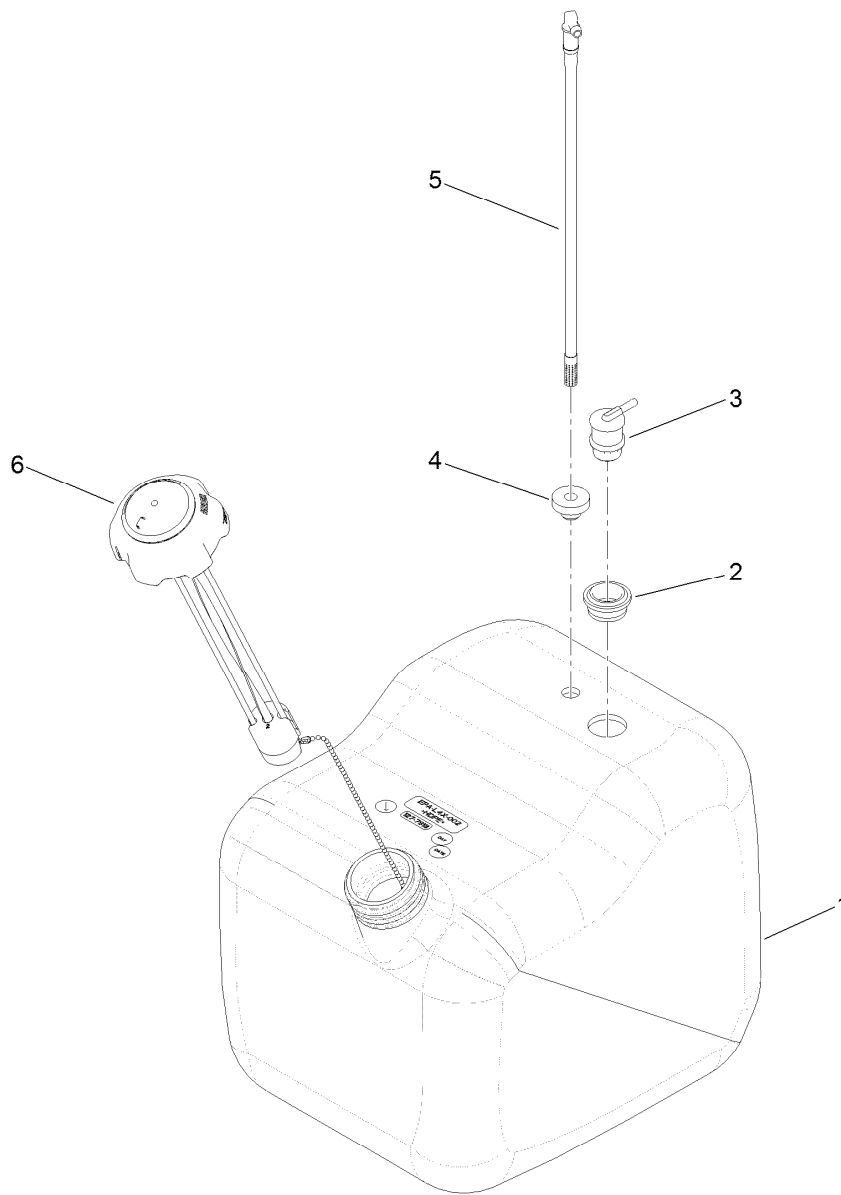
Ref.	Part Number	Qty.	Description	Ref.	Part Number	Qty.	Description
1	122-0225	1	Harness-Wire	7	99-7420	2	Plug-Hole
1:8	100-4918	3	Diode	8	100-4351	4	Screw-HWH
1:12	109355	1	Fuse-Blade, 15 Amp	10	114-3315	1	Solenoid
1:13	218-578	2	Fuse-Blade, 10 Amp	11	119-9492	1	Regulator-Voltage
1:14	32160-093	1	Connector-Mp280, 2M ●	12	3255-8	2	Washer-Lock
1:23	32180-056	1	Cap ●	13	3220-2	2	Nut-Jam
2	122-1145	1	Ignition Switch ASM	14	3234-33	2	Screw-HHF
2:2	108-8660	1	Nut-Mounting	15	100-4352	1	Screw-HWH
2:3	106-5270	1	Ignition Key Set	16	42862	1	Block-Terminal, Ground
2:4	108-8659	1	Washer-Backup	17	42863	1	Strip-Jumper
3	120-2244	1	Hourmeter	18	99-7430	3	Relay-Mini
4	131-8388	1	Socket-USB	19	32144-1	3	Screw-Taptite
5	94-5627	1	Plug	20	104-7201	2	Nut-HF
6	95-8999	1	Switch	21	131-8552	1	Decal-Fuse Block, 12V

● Not illustrated



Fuel System Assembly

<i>Ref.</i>	<i>Part Number</i>	<i>Qty.</i>	<i>Description</i>	<i>Ref.</i>	<i>Part Number</i>	<i>Qty.</i>	<i>Description</i>
1	127-7739-03	1	Mount-Tank, Fuel	13	120-2349	4	Screw
2	127-7849	1	Fuel Tank ASM	14	131-8526	1	Pump-Fuel
3	32144-70	3	Screw-HWHTF	15	2412-98	4	Clamp-Hose
4	114-4428	1	Hose-Fuel	16	109-0282	1	Hose-Fuel
5	114-0292	1	Bracket-Canister, Carbon	17	240-12	1	Grommet-Rubber
6	127-8685	1	Canister-Carbon	18	114-3765	1	Hose-Fuel
7	106-5317	1	Hose-Fuel	19	109-0678	1	Hose-Fuel
8	115-7854	1	Filter-Fuel, Inline	20	109-3491	1	Hose-Fuel
9	32105-15	4	Screw-HWH	21	56-6360	1	Filter-Fuel
10	104-7201	4	Nut-HF	22	117-5399	1	Adaptor-Orifice
11	115-4735	1	Hose-Fuel	23	120-2038	1	Cartridge-Valve, Check
12	127-7845-03	1	Bracket-Tank, Fuel	24	110-8181	1	Hose-Fuel



Fuel Tank Assembly No. 127-7849

Ref.	Part Number	Qty.	Description
1	127-7818	1	Tank-Fuel
2	114-0284	1	Grommet
3	114-0285	1	Valve-Rollover
4	46-6560	1	Bushing
5	115-9044	1	Pipe-Stand
6	131-8357	1	Cap-Gauge

Attachments and Accessories

For 07152 Workman GTX Utility Vehicle with Bench Seat

Product Name	Model/Part
Hose Reel Mounting Kit	07027
Trash Can Mounting Kit	07028
Walk Spreader Mounting Kit	07029
Bed Rack Kit	07031
ROPS Kit	07032
Crated Finishing Kit	07045
Cargo Bed Kit	07046
Bench Seat Base Kit	07047
Bucket Seat Base Kit	07048
Extension Kit	07049
Multi-passenger Kit	07133
Bucket Seat Base Kit (2016)	07134
Bench Seat Base Kit (2016)	07135
Canopy Kit	07140
Canopy Kit, Multi-passenger Workman GTX Utility Vehicle	07141
Cab Kit	07142
12V Electric Lift Kit	07144
Brush Guard Kit	07145
Front Hitch Kit, Workman GTX Series Utility Vehicles with Brush Guard	07146
Front Hitch Kit, Workman GTX or MDX Series Utility Vehicles without Brush Guard	07147
Steel Flat Bed Kit	07148
Extended Bed Kit	07149
Storage Box Kit	07156
Ball Picker Mounting Bracket Kit	07157
6in L-Track Kit	07158
2in L-Track Kit	07159
12V Electric Bed Lift Kit	07167
Aggressive Tire Kit	07423
Tire-20 8.00-10	116-7333
Power Point Kit	131-8550
Brake and Signal Light Kit	132-8579
Horn Kit	133-3016
Reverse Alarm Kit	133-3018
Parking Brake Alarm Kit	133-3019
Class 1 Draw Bar Kit	133-3095
Spark Arrestor Screen Kit	133-7109
Mount-Ball	133-7116
Road Light and Homologation Kit	133-7128
Front Spring Kit	133-7145
Canopy Mount Kit, Workman GTX Utility Vehicle with Extended Flatbed	133-7160
Cab Mount Kit, Workman GTX Utility Vehicle with Extended Flatbed	133-7198
Service Hood ASM	133-7209
Seat Hinge Kit	133-7346
MVP Kit 400 Hour	136-6280
Small Bedrack Mount Grip Kit	136-6311
Large Bedrack Mount Grip Kit	136-6312

Attachments and Accessories (continued)

Wireless Hourmeter Kit..... 136-6323
Optional Rear Tire GTX-K500..... 137-2785
Plate-Skid 137-2886-03

Notes:

Notes:

Notes:



Count on it.