



PART NO. 68-608-3521

**INSTALLATION
INSTRUCTIONS**
**TRACTOR REMOTE HYDRAULICS KIT
Aerator 686**

1. Slowly open knob on hand pump to relieve hydraulic pressure in system.

2. Disconnect hydraulic hose from front fitting on lift cylinder.

Note: Hand pump and hydraulic hose may be removed from aerator, if desired or hose may be plugged for future use.

3. Remove hydraulic fitting and vent fitting from lift cylinder

4. If fittings removed from lift cylinder were O-ring type fittings, replace them with (2) 90° hydraulic fittings

and O-rings. Fittings to be positioned so they point forward.

5. If fittings removed from lift cylinder were not O-ring type fittings, replace them with (2) 90° hydraulic pipe fittings. Fittings to be positioned so they point forward.

6. Connect new hydraulic hoses to new fittings on cylinder.

7. Route hoses forward to tractor connections.

8. Connect hoses to tractor hydraulic fittings, using appropriate couplers included in kit.

9. Check connections for leaks.

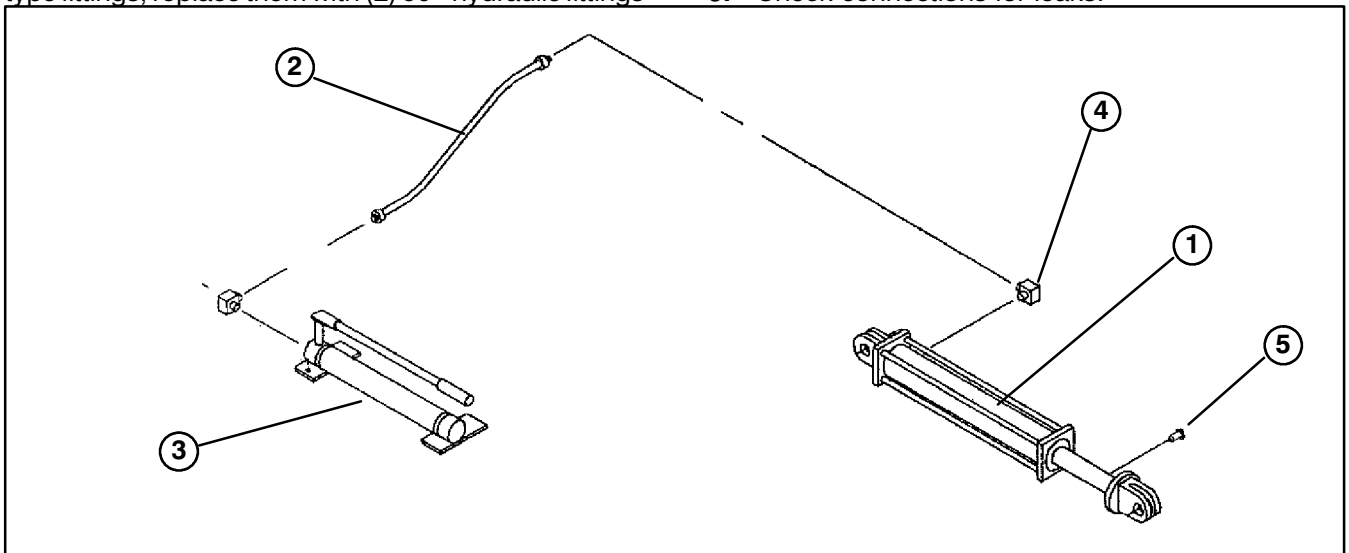


Figure 1

1. Lift cylinder
2. Hand pump
3. Hydraulic hose
4. Hydraulic fitting
5. Vent fitting