



**314-8 GT-CLASSIC**  
**GARDEN TRACTOR**

**Model No. 73448 - 8900001 & UP**

---

**Parts Catalog**

## ORDERING REPLACEMENT PARTS

To order replacement parts, please supply: the part number, the quantity, and the description of each part desired.

## Contents

| Description                             | Page | Description                                    | Page |
|---|------|--|------|
| Hood Assembly .....                     | 1    | Hoodstand Electrical Housing & Wire Harness .. | 18   |
| Frame Axle and Steering System .....    | 2    | Transmission 8-Speed 8 Pinion .....            | 19   |
| Hoodstand, Console .....                | 3    | Transmission 8-Speed 8 Pinion (Continued) .... | 20   |
| Footrest & Hoodstand Side Covers .....  | 4    | Crankshaft .....                               | 21   |
| Gauges, Warning Lights & Controls ..... | 5    | Crankcase .....                                | 22   |
| Manual Lift System .....                | 6    | Oil Pan / Lubrication .....                    | 23   |
| Clutch .....                            | 7    | Cylinder Head / Valve & Breather .....         | 24   |
| Brake .....                             | 8    | Ignition / Electrical .....                    | 25   |
| Fender, Seat & Tail Lights .....        | 9    | Blower Housing & Baffles .....                 | 26   |
| PTO Clutch, Cover And Belt Guides ..... | 10   | Starter .....                                  | 27   |
| PTO Clutch System .....                 | 11   | Carburetor & Fuel Pump .....                   | 28   |
| Engine Assembly .....                   | 12   | Engine Controls .....                          | 29   |
| Transmission Assembly .....             | 13   | Air Intake / Filtration .....                  | 30   |
| Wheel Assemblies .....                  | 14   | Exhaust .....                                  | 31   |
| Hitch Assembly .....                    | 15   | Wire Harness & Cable Routing .....             | 32   |
| Battery Assembly .....                  | 16   | Electric Schematic .....                       | 33   |
| Fuel Tank Assembly .....                | 17   |  |      |

## Part Description Abbreviations

Part descriptions in this catalog may include the following abbreviations.

| Abbreviation | Meaning                | Abbreviation | Meaning                           |
|--------------|------------------------|--------------|-----------------------------------|
| AR .....     | as required            | HWHTF .....  | hex washer head<br>thread forming |
| ASM .....    | assembly               | INC .....    | incorporated                      |
| CARR .....   | carriage               | LH .....     | left hand                         |
| DEG .....    | degrees                | PH .....     | pan head                          |
| FH .....     | flat head              | PPH .....    | Phillips pan head                 |
| GA .....     | gauge                  | PTO .....    | power take off                    |
| HF .....     | hex flange             | RH .....     | right hand                        |
| HFV .....    | hex flange washer      | SFH .....    | slotted fillister head            |
| HH .....     | hex head               | SH .....     | square head                       |
| HHF .....    | hex head flange        | SHWH .....   | slotted hex washer head           |
| HHST .....   | hex head self tapping  | SPH .....    | slotted pan head                  |
| HJ .....     | hex jam                | STD .....    | standard                          |
| HOC .....    | height-of-cut          | TAP .....    | self tapping                      |
| HS .....     | hex socket             | TH .....     | truss head                        |
| HSBH .....   | hex socket button head | TTH .....    | Torx truss head                   |
| HSFH .....   | hex socket flat head   | WH .....     | wing head                         |
| HSH .....    | hex socket head        |              |                                   |
| HWH .....    | hex washer head        |              |                                   |

# Important Format Explanations

This catalog uses special formats to convey information in illustrations and parts lists. Specifically, one format is used in conjunction with service assemblies and another with quantities associated with reference numbers.

## Service Assemblies

Parts within service assemblies have reference numbers in the form  $X:Y$ .  $X$  is the reference number of the service assembly and  $Y$  is a sequential number unique to each part within the service assembly.

For example, a wheel assembly might be identified by reference number 6, the tire by 6:1, the valve by 6:2, and the wheel by 6:3. When you order the assembly identified by reference number 6, you receive all parts identified by reference numbers 6:1, 6:2, and 6:3. However, you may also order any part individually.

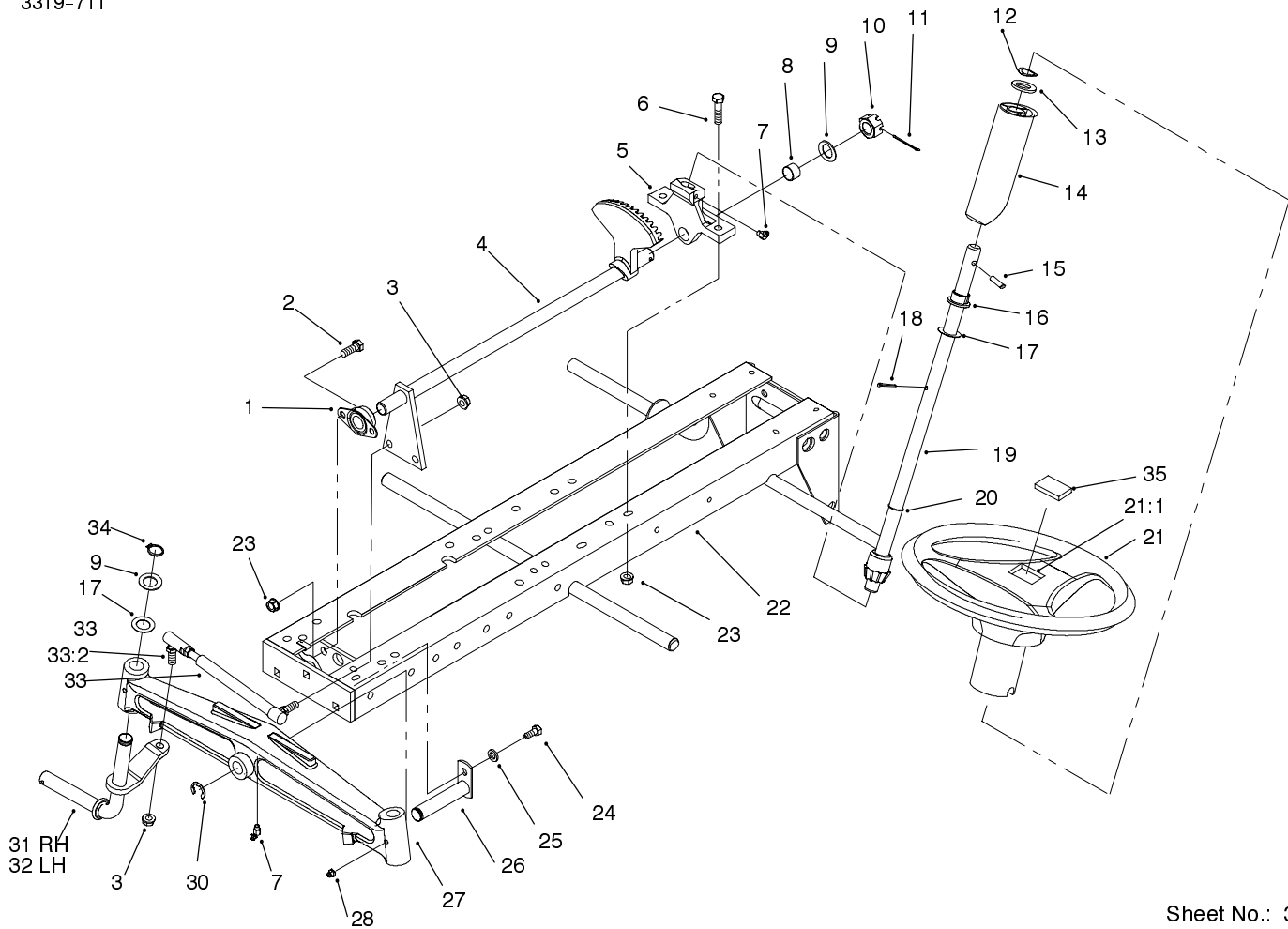
Reference numbers of this type appear in part lists and as callouts in illustrations.

## **Reference Numbers with Quantities**

Illustrations may have a quantity in parentheses next to a reference number, in the form  $X (Y)$ .  $X$  is the reference number.  $Y$  in parentheses is the quantity of the part identified by the reference number.

For example, the illustration callout 4 (2) indicates that two parts are used in that instance.



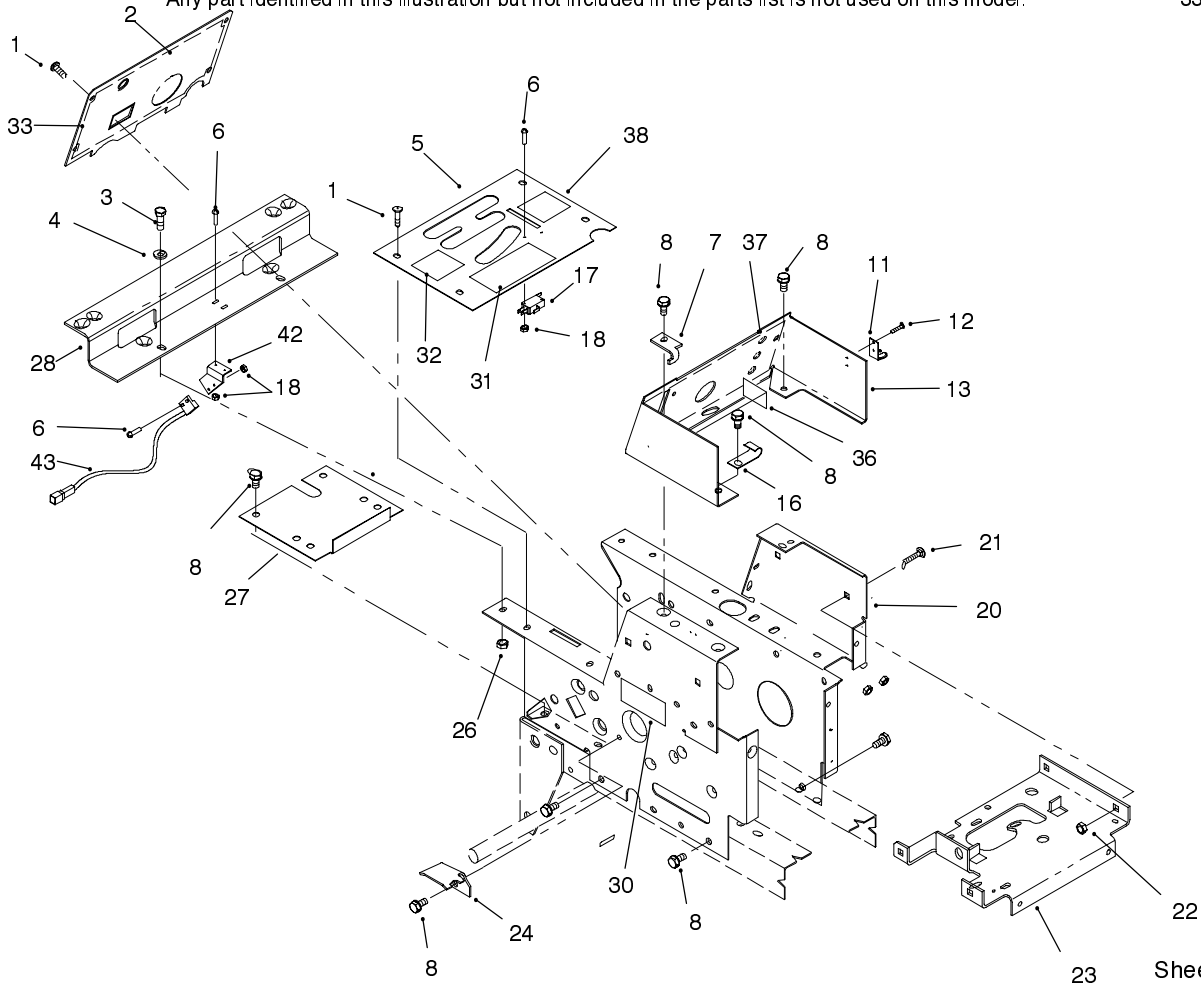


Sheet No.: 3

## Frame Axle and Steering System

| Ref. No. | Part No.   | Qty. | Description      |
|----------|------------|------|------------------|
| 1        | 6472       | 1    | Bearing-Pillow   |
| 2        | 323-6      | 2    | Screw-HH         |
| 3        | 3296-6     | 4    | Nut-Lock         |
| 4        | 78-2880-03 | 1    | Shaft-Steering   |
| 5        | 88-2710-03 | 1    | Support-Steering |
| 6        | 323-8      | 2    | Screw-HH         |
| 7        | 302-11     | 2    | Fitting-Grease   |
| 8        | 6397       | 1    | Bushing          |
| 9        | 1278       | 3    | Washer-Shim      |
| 10       | 32136-5    | 1    | Nut-Hex Slot     |
| 11       | 3272-19    | 1    | Pin-Cotter       |
| 12       | 7896       | 1    | Washer-Bowed     |
| 13       | 109262     | 2    | Washer           |
| 14       | 113443     | 1    | Tube-Shaft       |
| 15       | 32121-111  | 1    | Pin-Spiral       |
| 16       | 109189     | 1    | Bearing-Flange   |
| 17       | 5210       | 14   | Washer-Shim      |
| 18       | 3272-21    | 1    | Pin-Cotter       |
| 19       | 92-4987    | 1    | Shaft-Steering   |
| 20       | 237-69     | 1    | O-Ring           |
| 21       | 98-1473    | 1    | Wheel-Steering   |
| 22       | 94-6673-01 | 1    | Frame            |
| 23       | 3296-39    | 4    | Nut-Lock         |
| 24       | 322-1      | 1    | Screw-HH         |
| 25       | 3253-4     | 1    | Washer-Lock      |
| 26       | 6216       | 1    | Pin-Pivot        |

| Ref. No. | Part No.   | Qty. | Description    |
|----------|------------|------|----------------|
| 27       | 5638-01    | 1    | Axle-Front     |
| 28       | 302-5      | 2    | Fitting-Grease |
| 30       | 5618       | 1    | Ring-Retaining |
| 31       | 113382-01  | 1    | Spindle-RH     |
| 32       | 113381-01  | 1    | Spindle-LH     |
| 33       | 78-2900-01 | 2    | Rod ASM-Tie    |
| 34       | 32120-93   | 2    | Ring-Retaining |
| 35       | 98-1459    | 1    | Decal-Urethane |
| 9        | 505-144    | A/R  | Oil-Engine     |



Sheet No.: 4

## Hoodstand, Console

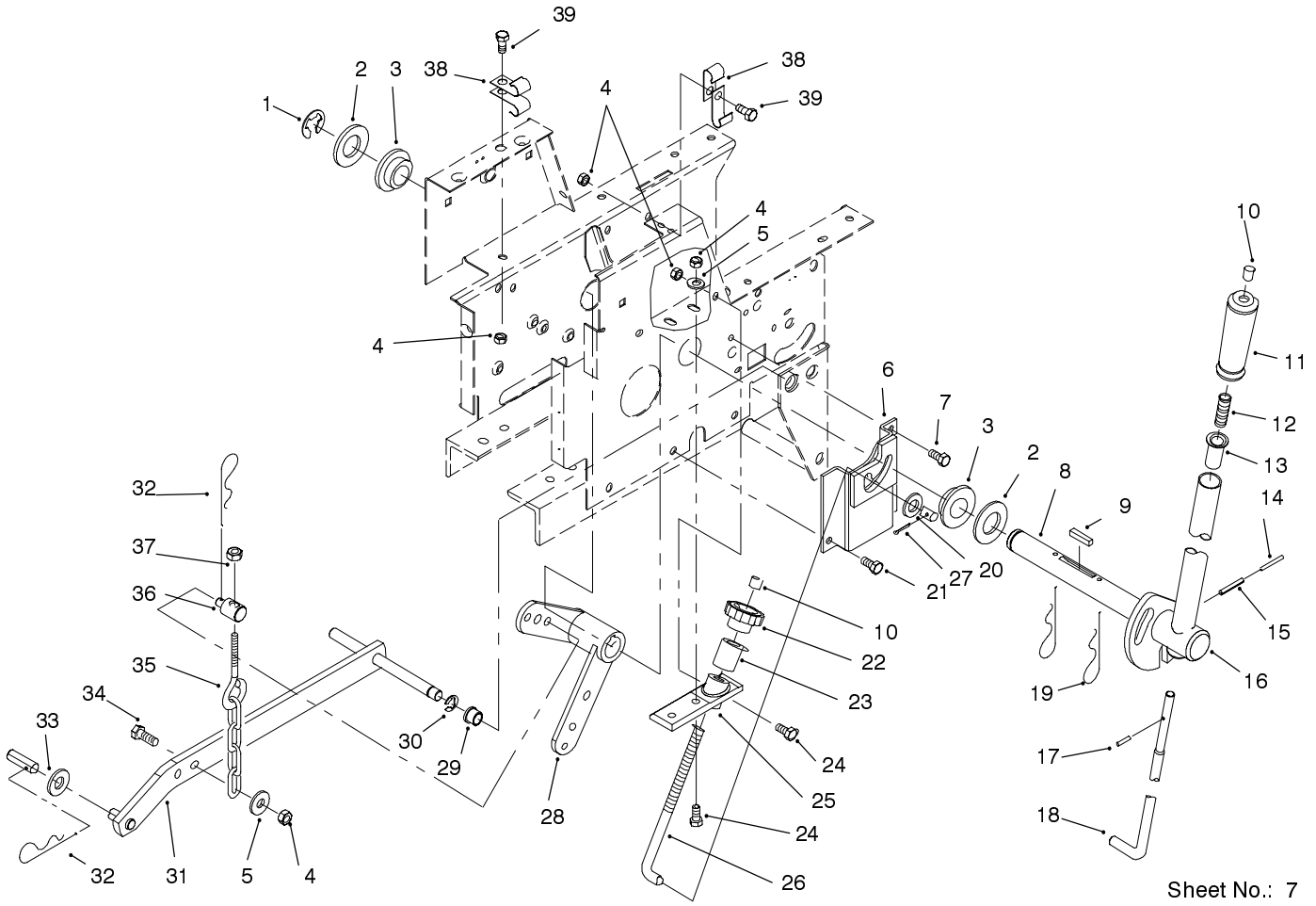
| Ref. No. | Part No.   | Qty. | Description       |
|----------|------------|------|-------------------|
| 1        | 9108372    | 8    | Screw-Phcr        |
| 2        | 95-7675-03 | 1    | Plate-Hoodstand   |
| 3        | 322-5      | 2    | Screw-HH          |
| 4        | 3256-23    | 2    | Washer-Flat       |
| 5        | 111386-03  | 1    | Plate-Shift       |
| 6        | 9109484    | 6    | Screw-Phcr        |
| 7        | 112415     | 1    | Stop-PTO          |
| 8        | 9266944    | 11   | Screw-HH          |
| 11       | 117343     | 2    | Latch-Hood        |
| 12       | 117432     | 4    | Poprivet          |
| 13       | 95-7670-03 | 1    | Console           |
| 16       | 111392     | 1    | J-Clip            |
| 17       | 111332     | 1    | Switch-Interlock  |
| 18       | 9157324    | 6    | Nut-Lock          |
| 19       | 107069     | 4    | Nut-Panel         |
| 20       | 95-7676-03 | 1    | Hoodstand         |
| 21       | 117371     | 4    | Screw-CARR        |
| 22       | 9151126    | 4    | Nut               |
| 23       | 78-3010-03 | 1    | Support-Battery   |
| 24       | 88-2170-03 | 1    | Bracket-Support   |
| 26       | 3296-29    | 2    | Nut-Lock          |
| 27       | 106250-03  | 1    | Cover-Dust        |
| 28       | 95-7665-03 | 1    | Bracket-Fender    |
| 30       | 92-9829    | 2    | Decal-314 8 Speed |
| 31       | 92-8946    | 1    | Decal-Danger      |
| 32       | 111534     | 1    | Decal-Pattern     |

| Ref. No. | Part No. | Qty. | Description    |
|----------|----------|------|----------------|
| 33       | 98-0675  | 1    | Decal-Dash     |
| 36       | 111926   | 1    | Decal-Electric |
| 37       | 98-0676  | 1    | Decal-Console  |
| 38       | 111510   | 1    | Decal-Brake    |
| 39       | 116397   | 2    | Relay          |
| 40       | 3234-33  | 2    | Screw-HFW      |
| 41       | 3296-42  | 2    | Nut-Lock       |
| 42       | 95-7666  | 1    | Bracket-Switch |
| 43       | 95-7669  | 1    | Switch-Reed    |
| *44      | 3290-378 | 2    | Tie-Cable      |

\* Not Illustrated





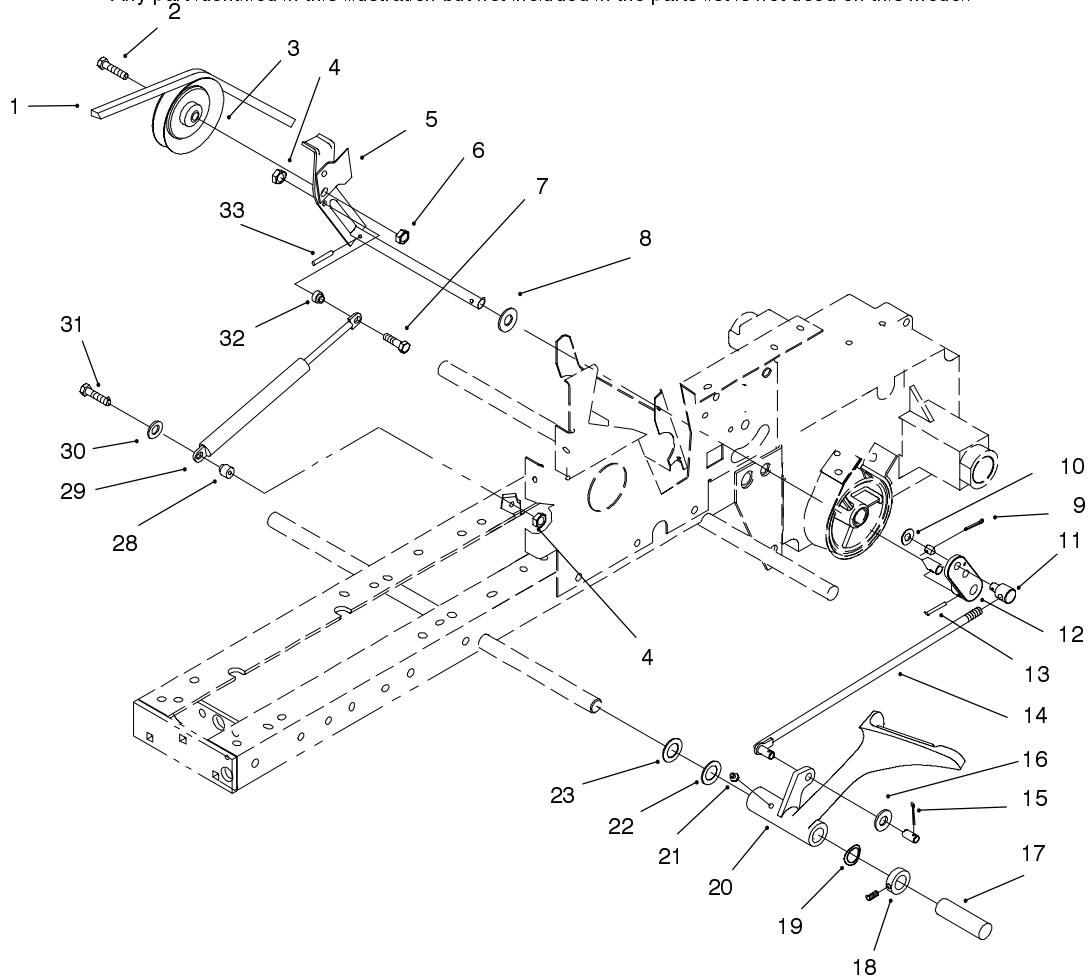


Sheet No.: 7

## Manual Lift System

| Ref. No. | Part No.  | Qty. | Description        |
|----------|-----------|------|--------------------|
| 1        | 32151-91  | 1    | Ring-Retaining     |
| 2        | 3256-62   | 2    | Washer-Flat        |
| 3        | 106269    | 2    | Bearing-Flange     |
| 4        | 3296-29   | 6    | Nut-Lock           |
| 5        | 3256-23   | 3    | Washer-Flat        |
| 6        | 106411-03 | 1    | Bracket-Lift Lever |
| 7        | 9266944   | 1    | Screw-HH           |
| 8        | 108565    | 1    | Shaft-Lift Lever   |
| 9        | 1121      | 1    | Key-Square         |
| 10       | 105316    | 2    | Cap-Rod            |
| 11       | 92-6710   | 1    | Grip-Handle        |
| 12       | 3624      | 1    | Spring-Compression |
| 13       | 8130      | 1    | Retainer-Spring    |
| 14       | 32121-103 | 1    | Pin-Spring         |
| 15       | 32121-25  | 1    | Pin-Spring         |
| 16       | 108563-03 | 1    | Lever-Lift         |
| 17       | 933148    | 1    | Pin-Spirol         |
| 18       | 106257    | 1    | Rod-Latch          |
| 19       | 9335074   | 2    | Hairpin            |
| 20       | 3256-5    | 1    | Washer-Flat        |
| 21       | 9266964   | 2    | Screw-HH           |
| 22       | 5280      | 1    | Knob-Control       |
| 23       | 106258-03 | 1    | Sleeve             |
| 24       | 322-5     | 3    | Screw-HH           |
| 25       | 106345-03 | 1    | Casting-Lift Lever |
| 26       | 110653    | 1    | Rod-Control        |

| Ref. No. | Part No.  | Qty. | Description     |
|----------|-----------|------|-----------------|
| 27       | 3272-10   | 1    | Pin-Cotter      |
| 28       | 78-1550   | 1    | Lever-Lift      |
| 29       | 6229      | 1    | Bushing-Flanged |
| 30       | 32120-47  | 1    | Ring-Retaining  |
| 31       | 113445-03 | 1    | Bar-Lift        |
| 32       | 9335054   | 2    | Hairpin         |
| 33       | 3256-26   | 1    | Washer-Flat     |
| 34       | 322-6     | 1    | Screw-HH        |
| 35       | 106522    | 1    | Chain-Lift      |
| 36       | 6739      | 1    | Trunnion        |
| 37       | 3296-39   | 1    | Nut-Lock        |
| 38       | 8830      | 4    | Retainer-"J"    |
| 39       | 322-2     | 2    | Screw-HH        |



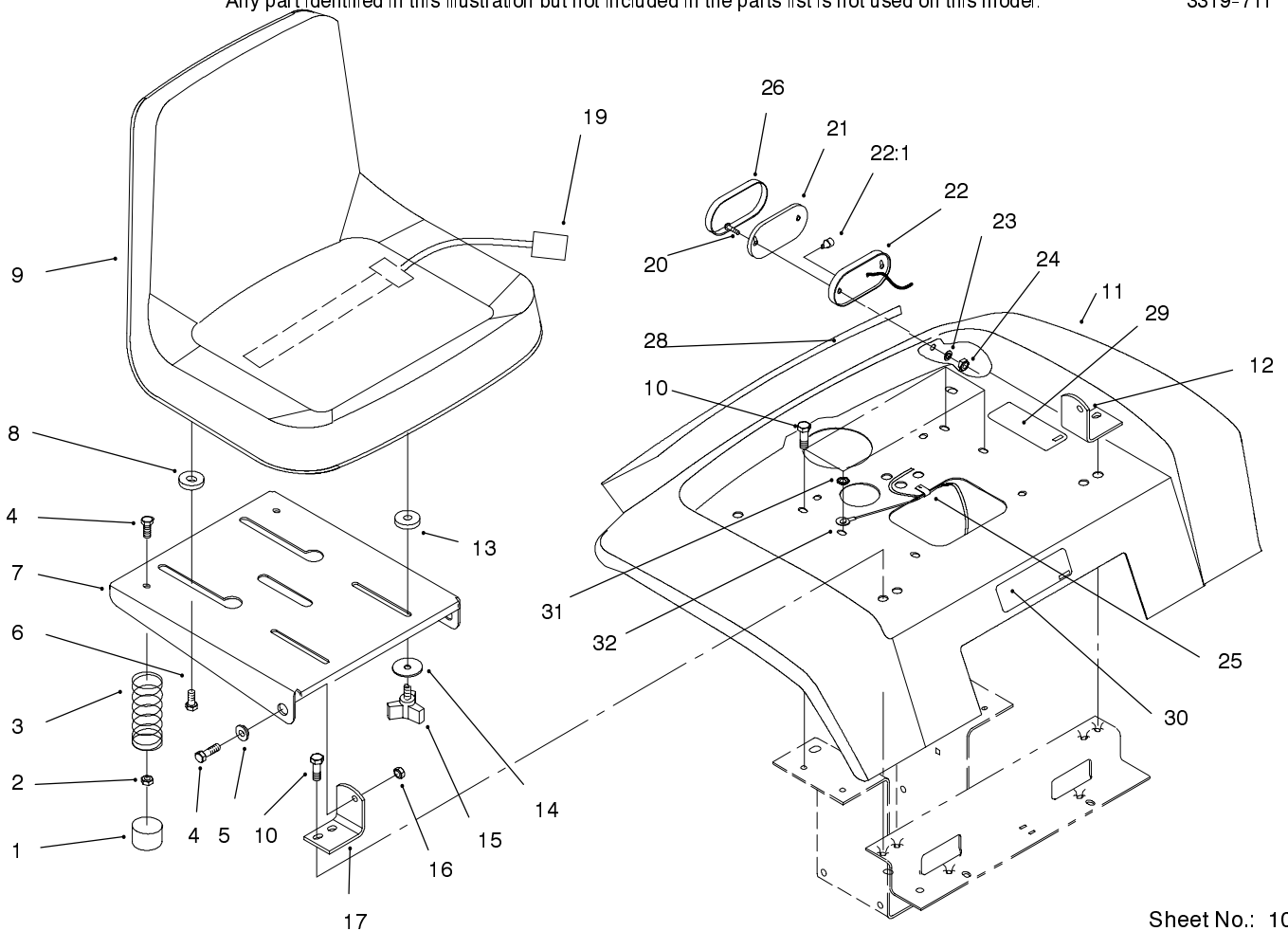
Sheet No.: 8

## Clutch

| Ref. No. | Part No.   | Qty. | Description        |
|----------|------------|------|--------------------|
| 1        | 93-9808    | 1    | Belt-V             |
| 2        | 106193     | 1    | Screw-Spec HH      |
| 3        | 95-7668    | 1    | Pulley-V           |
| 4        | 3296-42    | 2    | Nut-Lock           |
| 5        | 78-2970-03 | 1    | Arm-Idler          |
| 6        | 32146-2    | 1    | Nut-Hex Lock       |
| 7        | 321-31     | 1    | Screw-HH           |
| 8        | 3765       | 1    | Washer-Flat        |
| 9        | 3272-6     | 1    | Pin-Cotter         |
| 10       | 3256-24    | 1    | Washer-Flat        |
| 11       | 101161     | 1    | Trunnion           |
| 12       | 105896-03  | 1    | Arm-Clutch         |
| 13       | 933190     | 1    | Pin                |
| 14       | 103347     | 1    | Rod-Clutch         |
| 15       | 3272-10    | 1    | Pin-Cotter         |
| 16       | 920248     | 1    | Washer-Nylon       |
| 17       | 94-6683    | 1    | Sleeve-Protective  |
| 18       | 111383     | 1    | Collar w/Set Screw |
| 19       | 7896       | 1    | Washer-Bowed       |
| 20       | 94-3703-01 | 1    | Pedal-Clutch       |
| 21       | 302-5      | 1    | Fitting-Grease     |
| 22       | 1278       | 1    | Washer-Shim        |
| 23       | 9202254    | 1    | Washer-Flat        |
| 28       | 78-3250    | 1    | Spacer-Shoulder    |
| 29       | 78-3240    | 1    | Spring-Gas         |
| 30       | 3256-22    | 1    | Washer-Flat        |

| Ref. No. | Part No. | Qty. | Description     |
|----------|----------|------|-----------------|
| 31       | 321-9    | 1    | Screw-HH        |
| 32       | 78-3260  | 1    | Spacer-Shoulder |
| 33       | 933267   | 1    | Pin             |





Sheet No.: 10

## Fender, Seat & Tail Lights

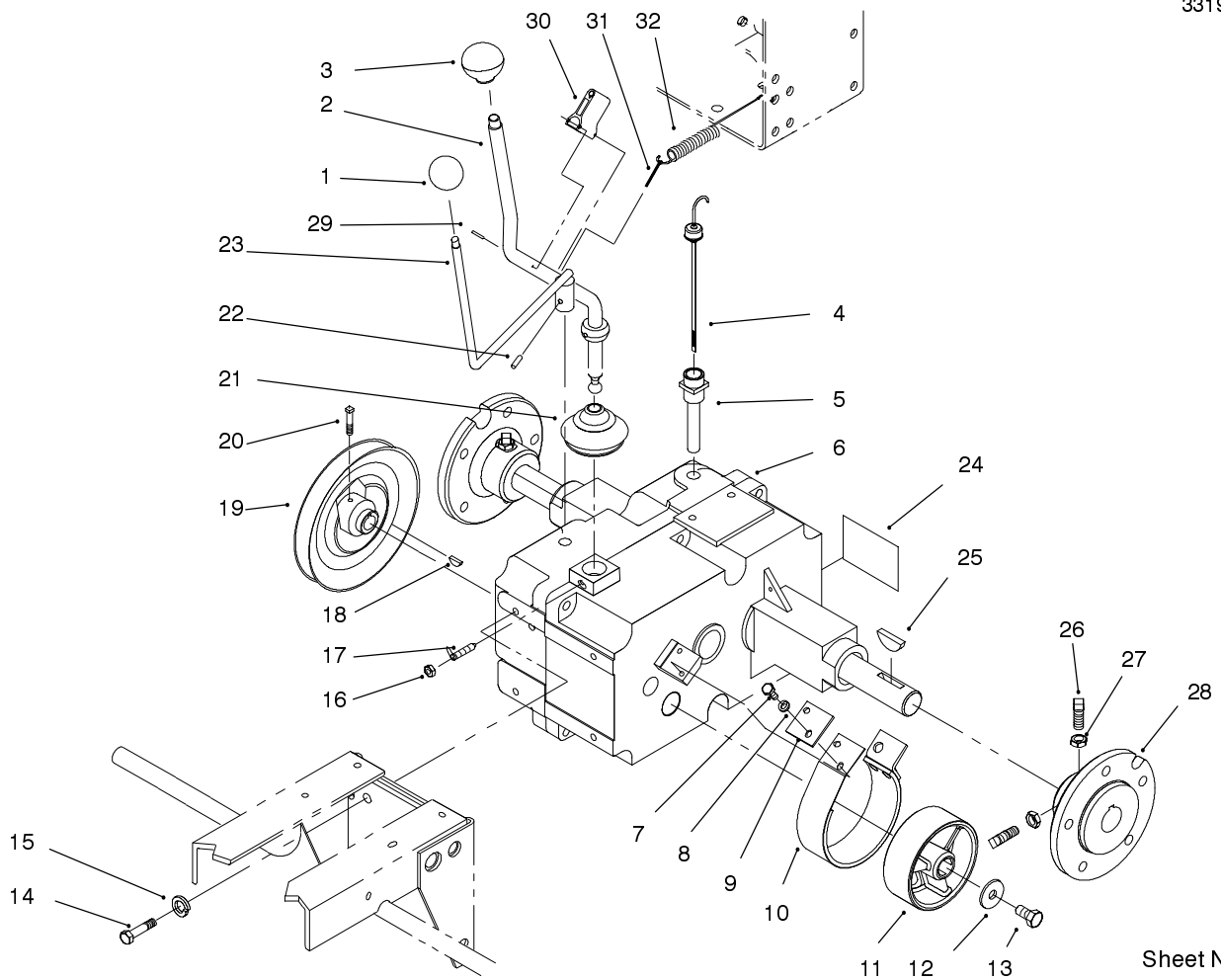
| Ref. No. | Part No.   | Qty. | Description        |
|----------|------------|------|--------------------|
| 1        | 701178     | 2    | Cap-Protector      |
| 2        | 3296-58    | 2    | Nut-Flange         |
| 3        | 92-7054    | 2    | Spring-Compression |
| 4        | 322-4      | 4    | Screw-HH           |
| 5        | 105503     | 2    | Bushing            |
| 6        | 92-6986    | 2    | Bolt-Shoulder      |
| 7        | 92-6972-03 | 1    | Support-Seat       |
| 8        | 92-6750    | 2    | Spacer-Nylon       |
| 9        | 92-6511    | 1    | Seat               |
| 10       | 9266944    | 8    | Screw-HH           |
| 11       | 94-3722-01 | 1    | Fender             |
| 12       | 79-0970-03 | 1    | Bracket-Pivot LH   |
| 13       | 109989     | 2    | Spacer             |
| 14       | 94-2869    | 2    | Washer-Flat        |
| 15       | 700806     | 2    | Knob               |
| 16       | 3296-29    | 2    | Nut-Lock           |
| 17       | 79-0950-03 | 1    | Bracket-Pivot RH   |
| 19       | 38-1420    | 1    | Switch-Seat        |
| 20       | 3250-31    | 4    | Screw-Phcr         |
| 22       | 105202     | 2    | Base-Light         |
| 23       | 3254-1     | 4    | Washer-Lock        |
| 24       | 3296-27    | 4    | Nut-Lock           |
| 25       | 3023       | 1    | Clip               |
| 26       | 112564     | 2    | Lens-Light         |
| 28       | 92-9827    | 1    | Decal-Fender       |
| 30       | 76-1340    | 1    | Decal-USA          |

| Ref. No. | Part No. | Qty. | Description  |
|----------|----------|------|--------------|
| 31       | 3255-8   | 1    | Washer-Lock  |
| 32       | 95-7651  | 1    | Harness-Wire |







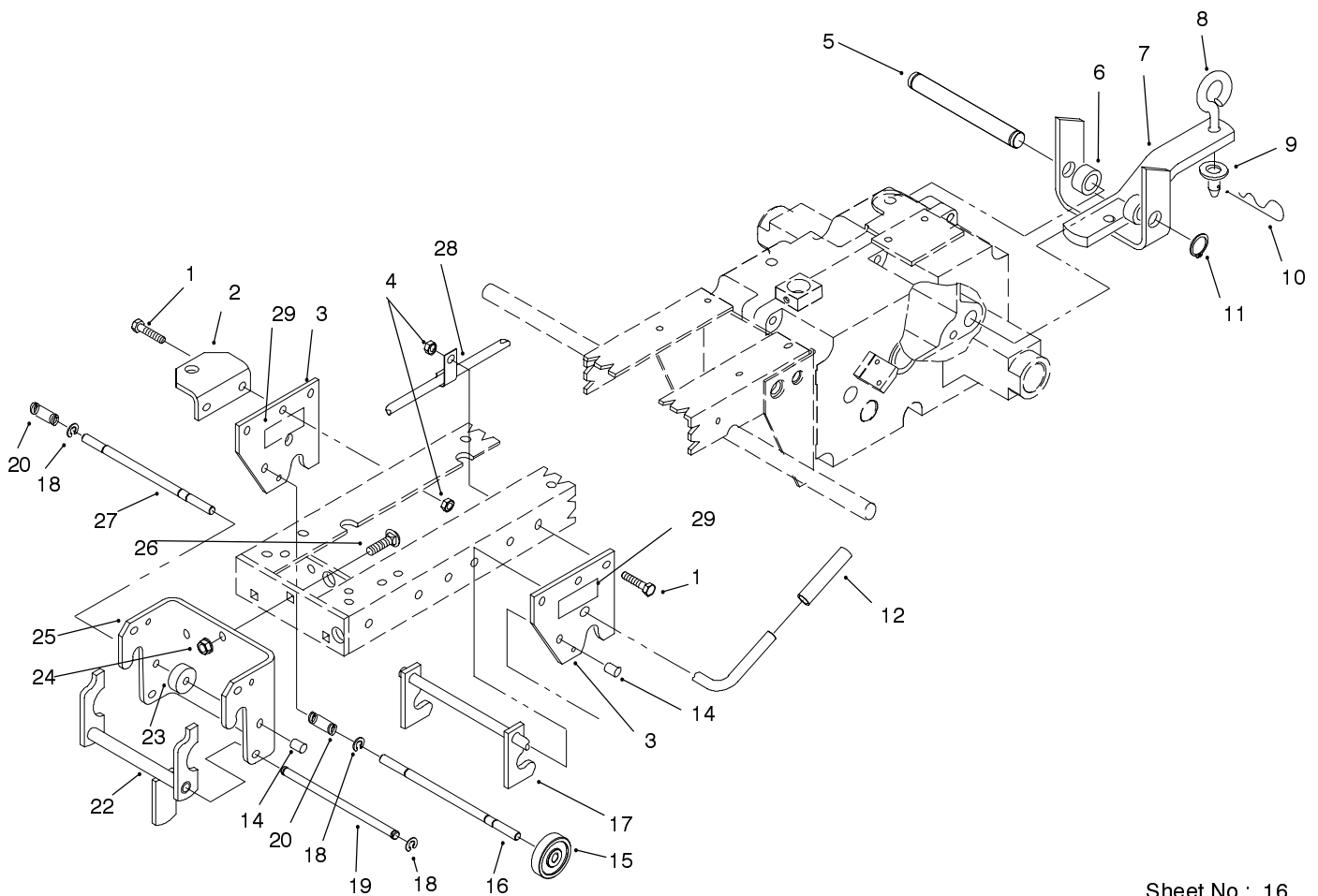


Sheet No.: 14

## Transmission Assembly

| Ref. No. | Part No.   | Qty. | Description         | Ref. No. | Part No.  | Qty. | Description      |
|----------|------------|------|---------------------|----------|-----------|------|------------------|
| 1        | 83-2710    | 1    | Knob                | 27       | 3218-3    | 4    | Nut-HJ           |
| 2        | 95-7684    | 1    | Rod ASM-Shift       | 28       | 105763-03 | 2    | Hub-Wheel        |
| 3        | 108758     | 1    | Knob                | 29       | 32121-97  | 2    | Pin-Roll         |
| 4        | 101847-03  | 1    | Dipstick            | 30       | 95-7683   | 1    | Clip ASM-Magnet  |
| 5        | 102703     | 1    | Tube-Fill           | 31       | 3272-36   | 1    | Pin-Cotter       |
| 6        | 94-6671    | 1    | ASM-8 Spd           | 32       | 110769    | 1    | Spring-Extension |
| 7        | 321-3      | 2    | Screw-HH            |          |           |      |                  |
| 8        | 3253-3     | 2    | Washer-Lock         |          |           |      |                  |
| 9        | 94-6696-03 | 1    | Plate-Band          |          |           |      |                  |
| 10       | 9593       | 1    | Band-Brake          |          |           |      |                  |
| 11       | 106719     | 1    | Drum-Brake          |          |           |      |                  |
| 12       | 2844       | 1    | Washer-Flat         |          |           |      |                  |
| 13       | 110234     | 1    | Screw               |          |           |      |                  |
| 14       | 323-5      | 4    | Screw-HH            |          |           |      |                  |
| 15       | 3253-21    | 4    | Washer-Lock         |          |           |      |                  |
| 16       | 3217-5     | 1    | Nut-Hex             |          |           |      |                  |
| 17       | 1239       | 1    | Screw-Hshset        |          |           |      |                  |
| 18       | 937221     | 1    | Key-Woodruff        |          |           |      |                  |
| 19       | 106165     | 1    | Pulley-Transmission |          |           |      |                  |
| 20       | 3242-2     | 1    | Screw Set-SH        |          |           |      |                  |
| 21       | 3577       | 1    | Cover-Dust          |          |           |      |                  |
| 22       | 933184     | 1    | Pin-Spirol          |          |           |      |                  |
| 23       | 110727     | 1    | Rod-Shift           |          |           |      |                  |
| 24       | 94-1834    | 1    | Decal-Unidrive      |          |           |      |                  |
| 25       | 937108     | 2    | Key-Woodruff        |          |           |      |                  |
| 26       | 3243-5     | 4    | Screw-Set           |          |           |      |                  |





Sheet No.: 16

## Hitch Assembly

| Ref. No. | Part No.  | Qty. | Description        |
|----------|-----------|------|--------------------|
| 1        | 323-44    | 6    | Screw-HH           |
| 2        | 102870-01 | 1    | Bracket-Support    |
| 3        | 102644-01 | 2    | Plate-Hitch        |
| 4        | 108881    | 6    | Nut-Hex            |
| 5        | 105269    | 1    | Pin-Hitch          |
| 6        | 9791204   | 2    | Spacer             |
| 7        | 1644-01   | 1    | Hitch ASM          |
| 8        | 106634    | 1    | Pin-Attachment     |
| 9        | 3256-26   | 1    | Washer-Flat        |
| 10       | 9335054   | 1    | Hairpin            |
| 11       | 5618      | 2    | Ring-Retaining     |
| 12       | 9038      | 1    | Grip               |
| 14       | 105316    | 2    | Cap-Rod            |
| 15       | 101017    | 1    | Lock-Hitch         |
| 16       | 83-6520   | 1    | Rod-Lock           |
| 17       | 117930    | 1    | Latch ASM-Mid      |
| 18       | 105797    | 8    | Ring-Retaining     |
| 19       | 101750    | 1    | Rod-Pivot          |
| 20       | 8616      | 2    | Spring-Compression |
| 22       | 93-1613   | 1    | Latch-Front        |
| 23       | 101707    | 1    | Lock-Attachment    |
| 24       | 3296-39   | 3    | Nut-Lock           |
| 25       | 101711-01 | 1    | Plate-Hitch        |
| 26       | 3231-25   | 3    | Screw-CARR         |
| 27       | 101751    | 1    | Rod-Lock           |

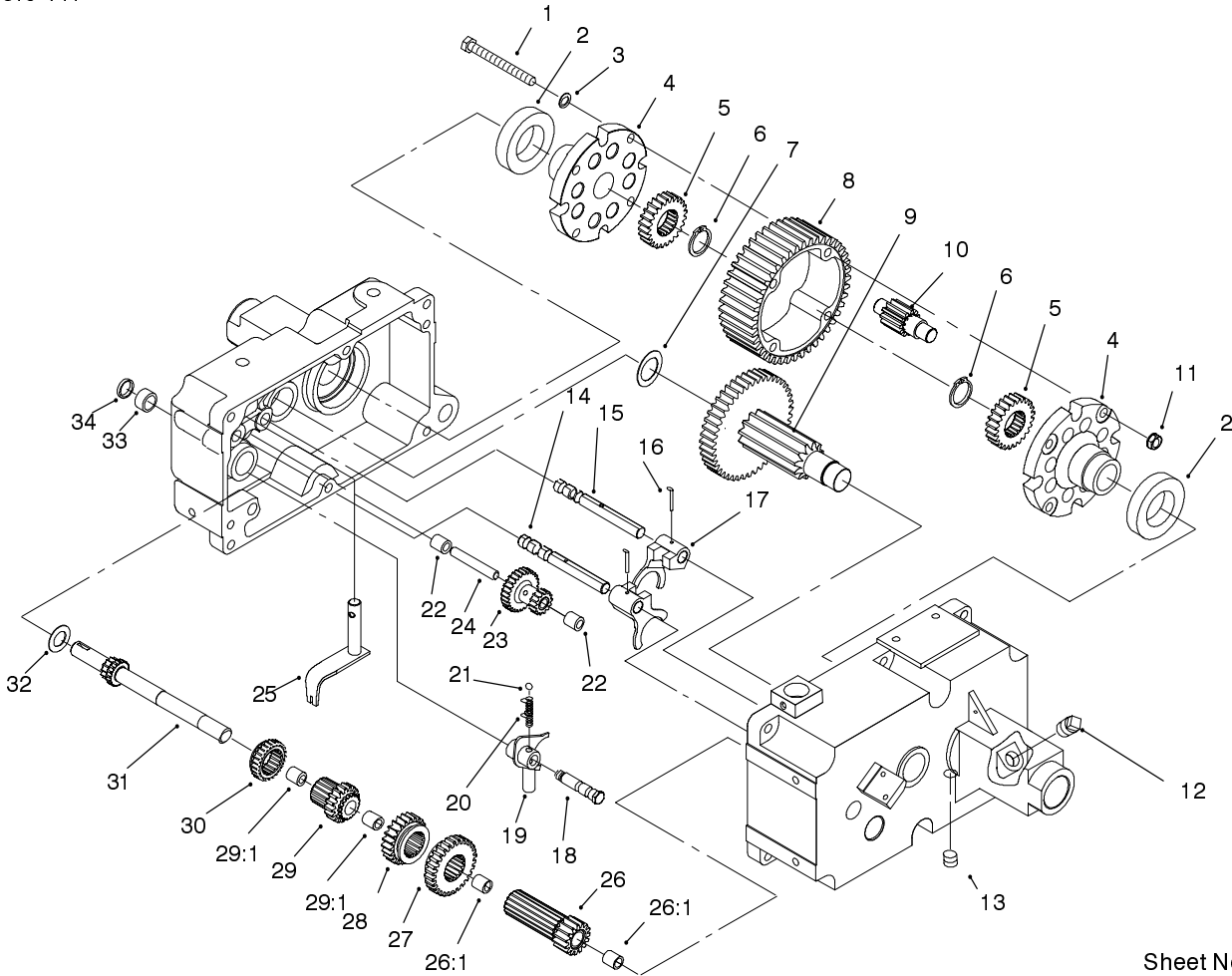
| Ref. No. | Part No. | Qty. | Description          |
|----------|----------|------|----------------------|
| 28       | 8830     | 1    | Retainer-"J"         |
| 29       | 92-8747  | 2    | Decal-Attach A Matic |











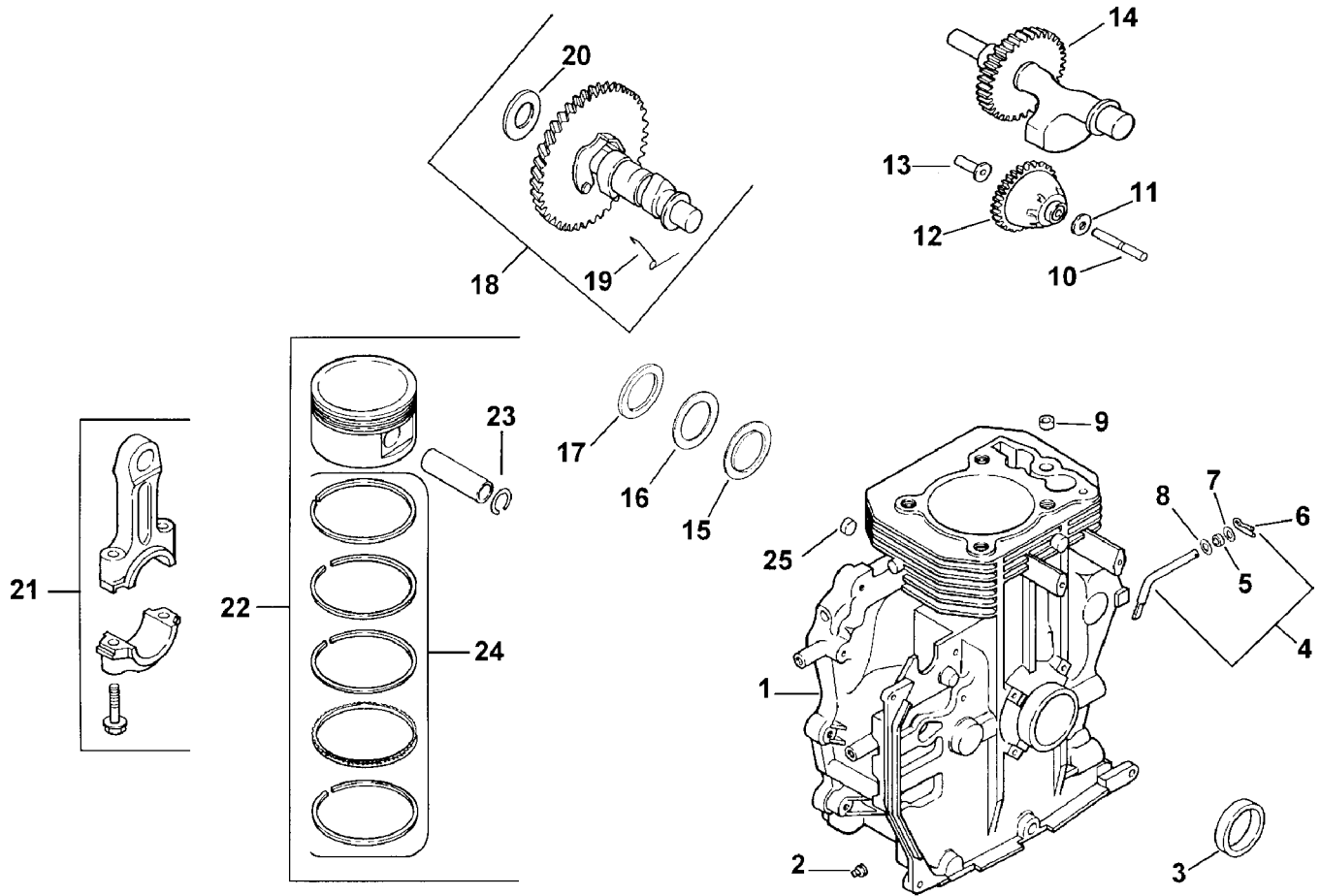
Sheet No.: 102

### Transmission 8-Speed 8 Pinion (Continued)

| Ref. No. | Part No. | Qty. | Description       |
|----------|----------|------|-------------------|
| 1        | 911423   | 4    | Screw-HH          |
| 2        | 111199   | 2    | Bearing-Ball      |
| 3        | 107374   | 4    | Washer-Flat       |
| 4        | 111196   | 2    | Cap-End           |
| 5        | 101889   | 2    | Gear-Axle         |
| 6        | 105876   | 2    | Ring-Retaining    |
| 7        | 9547     | 1    | Washer-Thrust     |
| 8        | 105061   | 1    | Gear-Differential |
| 9        | 102974   | 1    | Gear-ASM          |
| 10       | 101623   | 8    | Gear-Pinion       |
| 11       | 108881   | 4    | Nut-Hex           |
| 12       | 281-2    | 1    | Plug-Pipe         |
| 13       | 281-10   | 1    | Plug-Pipe         |
| 14       | 5615     | 1    | Rail-Shift        |
| 15       | 5616     | 1    | Rail-Shift        |
| 16       | 933156   | 2    | Pin-Spirol        |
| 17       | 3503     | 2    | Fork-Shift        |
| 18       | 7213     | 1    | Screw-Detent      |
| 19       | 116636   | 1    | Fork ASM          |
| 20       | 106030   | 1    | Spring-Stop       |
| 21       | 3517     | 1    | Ball-Detent       |
| 22       | 7207     | 2    | Bearing-Needle    |
| 23       | 7206     | 1    | Gear-Reduction    |
| 24       | 7208     | 1    | Shaft-Gear        |
| 25       | 7214     | 1    | Lever-Shift       |
| 26       | 111099   | 1    | Gear              |

| Ref. No. | Part No. | Qty. | Description          |
|----------|----------|------|----------------------|
| 26       | 5175     | 1    | Gear ASM             |
| 26:1     | 1518     | 2    | Bearing-Needle       |
| 27       | 5174     | 1    | Gear-Low And Reverse |
| 28       | 5173     | 1    | Gear-Hi And 2nd      |
| 29       | 111096   | 1    | Gear                 |
| 29:1     | 7204     | 1    | Gear ASM             |
| 29:1     | 1518     | 2    | Bearing-Needle       |
| 30       | 7205     | 1    | Gear-Sliding         |
| 31       | 7201     | 1    | Shaft-Input          |
| 32       | 7418     | 1    | Washer-Thrust        |
| 33       | 1542     | 1    | Bearing-Needle       |
| 34       | 100442   | 1    | Seal-Oil             |



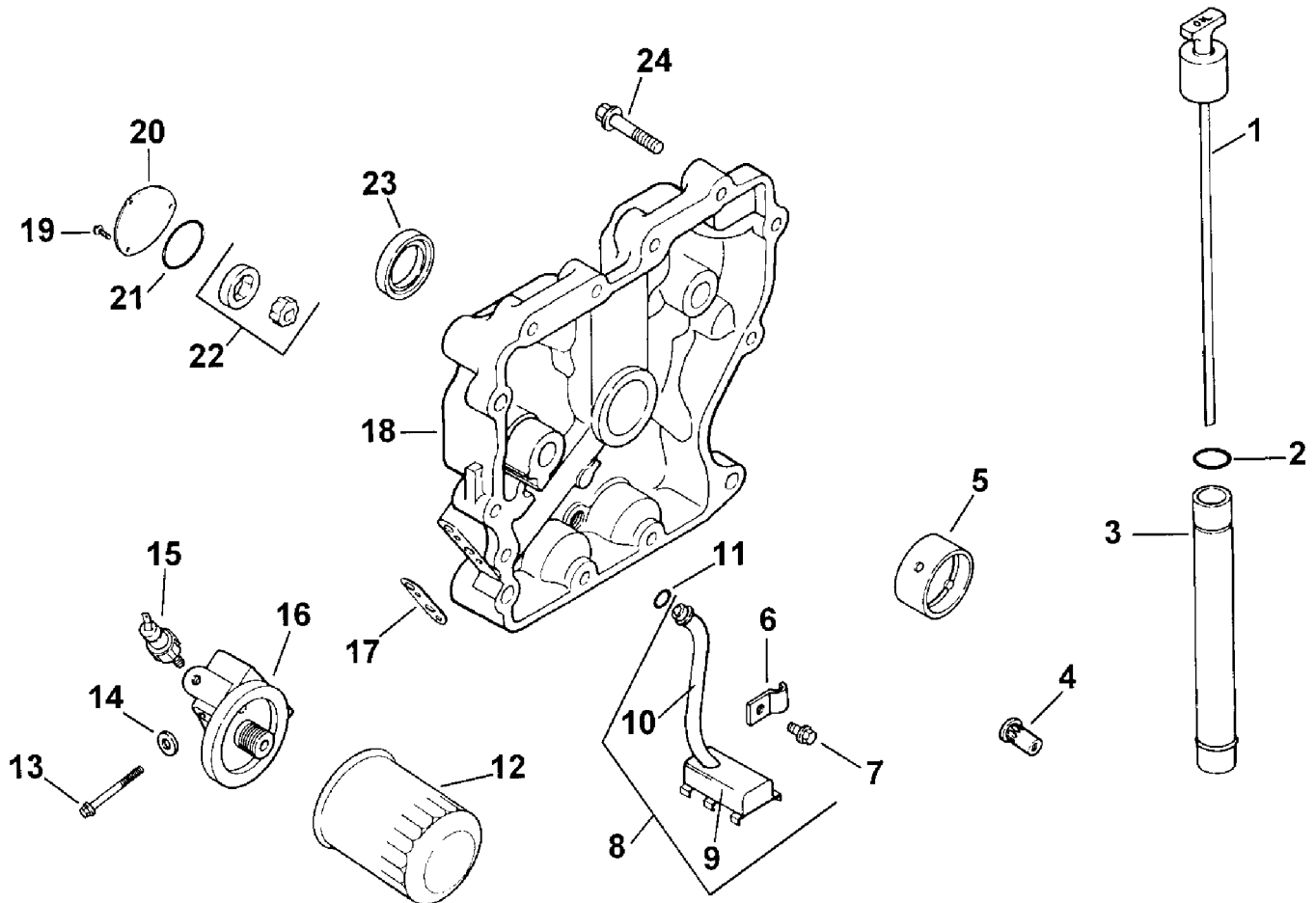


## Crankcase

| Ref. No. | Part No.  | Qty. | Description                                 |
|----------|-----------|------|---|
| 1        |           | 1    | Short Block                                 |
| 2        | X-75-10   | 2    | Plug, solid sq. hd. 3/8                     |
| 3        | 12 032 03 |      | Seal, crankshaft                            |
| 4        | 12 755 64 | 6    | Kit, governor cross shaft<br>(Includes # 6) |
| 5        | 12 032 01 |      | Seal, governor cross shaft                  |
| 6        | 12 154 05 |      | Clip, hitch pin                             |
| 7        | X-25-102  |      | Washer, plain 1/4                           |
| 8        | M-0631015 |      | Washer, plain 6 mm                          |
| 9        | 12 380 17 | 4    | Dowel, locating                             |
| 10       | 12 144 02 |      | Shaft, governor gear                        |
| 11       | M-0631005 |      | Washer, plain 6 mm                          |
| 12       | 12 043 05 |      | Gear, governor                              |
| 13       | 12 380 01 |      | Pin, governor regulating                    |
| 14       | 12 144 26 |      | Shaft, balance                              |
| 15       | 24 030 08 |      | Bearing, thrust                             |
| 16       | 52 114 04 |      | Washer, thrust                              |
| 17       | 24 422 04 |      | Shim, thrust                                |
| 18       | 12 755 50 |      | Kit, camshaft (Includes                     |
| 19       | 12 089 31 |      | Spring, actuating                           |
| 20       | 12 422 08 |      | Shim, camshaft (A.R.)<br>blue               |
|          | 12 422 09 |      | Shim, camshaft (A.R.)                       |

| Ref. No. | Part No.  | Qty. | Description                                  |
|----------|-----------|------|--|
|          |           |      | red  |
|          | 12 422 10 |      | Shim, camshaft (A.R.)<br>yellow              |
|          | 12 422 11 |      | Shim, camshaft (A.R.)<br>green               |
|          | 12 422 12 |      | Shim, camshaft (A.R.)<br>gray                |
|          | 12 422 13 |      | Shim, camshaft (A.R.)<br>black               |
|          | 12 422 07 |      | Shim, camshaft (A.R.)<br>white               |
| 21       | 12 067 05 | 1    | Connecting Rod (Std.)                        |
|          | 12 067 06 |      | Connecting Rod (.25)                         |
| 22       | 12 874 01 |      | Piston w/Ring Set<br>(Std.) (Includes 23,24) |
|          | 12 874 02 |      | Piston w/Ring Set (.25)                      |
|          | 12 874 03 |      | Piston w/Ring Set (.50)                      |
| 23       | 12 018 02 |      | Retainer, piston pin                         |
| 24       | 12 108 01 |      | Ring Set (Std.)                              |
|          | 12 108 02 |      | Ring Set (.25)                               |
|          | 12 108 03 |      | Ring Set (.50)                               |
| 25       | 52 139 09 |      | Plug, cup                                    |

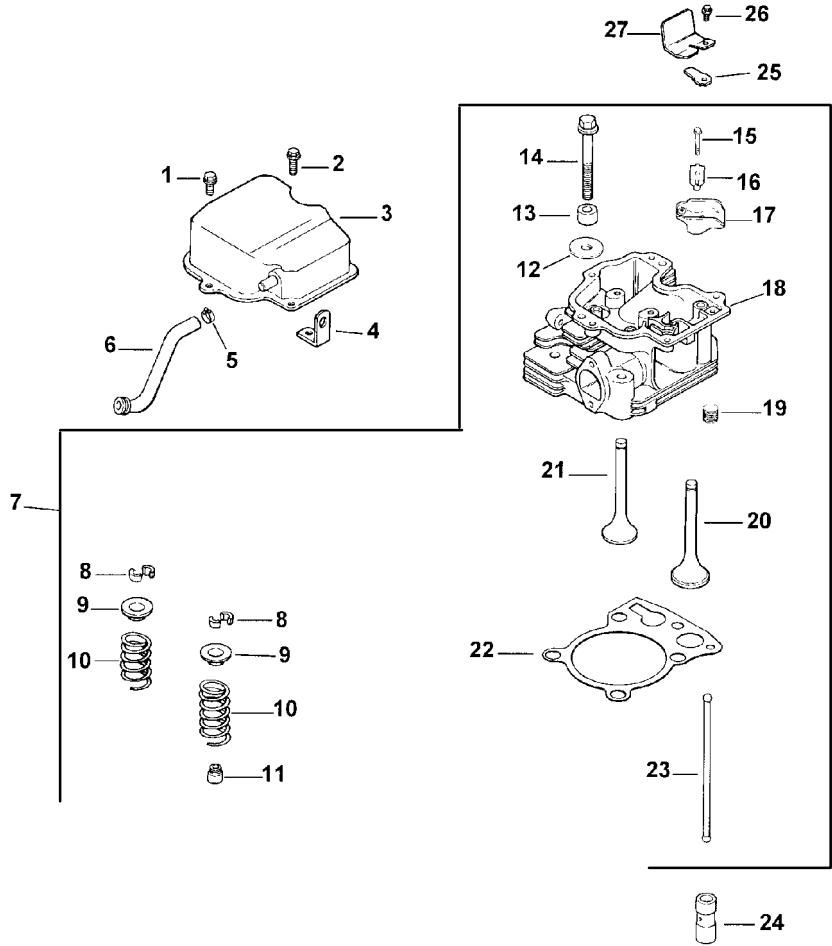
Kohler Engine CH14S 1838  
Obtain Parts From Kohler



## Oil Pan / Lubrication

| Ref. No. | Part No.  | Qty. | Description                                | Ref. No. | Part No.  | Qty. | Description                                 |
|----------|-----------|------|--|----------|-----------|------|---|
| 1        | 47 038 26 |      | Dipstick                                   | 20       | 12 096 21 |      | Cover, oil pump                             |
| 2        | 41 153 01 |      | O-Ring, oil fill tube                      | 21       | 12 153 05 |      | O-Ring, oil pump cover                      |
| 3        | 24 123 11 |      | Tube, oil fill                             | 22       | 12 393 01 |      | Pump, oil                                   |
| 4        | 25 462 09 |      | Valve, oil pressure relief                 | 23       | 12 032 03 |      | Seal, oil (P.T.O. end)                      |
| 5        | 12 030 05 |      | Bearing, crankshaft                        | 24       | 24 086 16 | 11   | Screw, hex. flange<br>M8x1.25x45            |
| 6        | 52 154 01 |      | Clip                                       | 24       | 24 086 17 |      | Screw, hex. flange<br>M8x1.25x45            |
| 7        | M-0545016 |      | Screw ,hex.flange<br>M5x0.8x16             | 25       | 113 05    |      | <b>Not Illustrated</b><br>Decal, oil sentry |
| 8        | 12 755 73 |      | Kit, oil pick-up<br>(Includes 9,10)        |          |           |      |   |
| 9        | 25 381 01 |      | Pick-up, oil screen                        |          |           |      |   |
| 10       | 12 123 21 |      | Tubing, oil pick-up                        |          |           |      |   |
| 11       | 12 153 04 |      | O-Ring, oil pick-up                        |          |           |      |   |
| 12       | 52 050 02 |      | Filter, oil                                |          |           |      |   |
| 13       | M-0651060 | 2    | Screw, hex. flange<br>M6x1.0x60            |          |           |      |   |
| 14       | X-25-12   | 2    | Washer, plain 1/4                          |          |           |      |   |
| 15       | 25 029 24 |      | Swutch, oil pressure                       |          |           |      |   |
| 16       | 12 029 01 |      | Adapter, oil filter                        |          |           |      |   |
| 17       | 12 041 07 |      | Gasket, oil filter<br>adapter              |          |           |      |   |
| 18       | 1200936   |      | Plate, closure Asm<br>(Includes 4,5,19-22) |          |           |      |   |
| 19       | M-0545016 | 3    | Screw, hex. flange<br>M5x0.8x16            |          |           |      |   |

Kohler Engine MS14S 1838  
Obtain Parts From Kohler

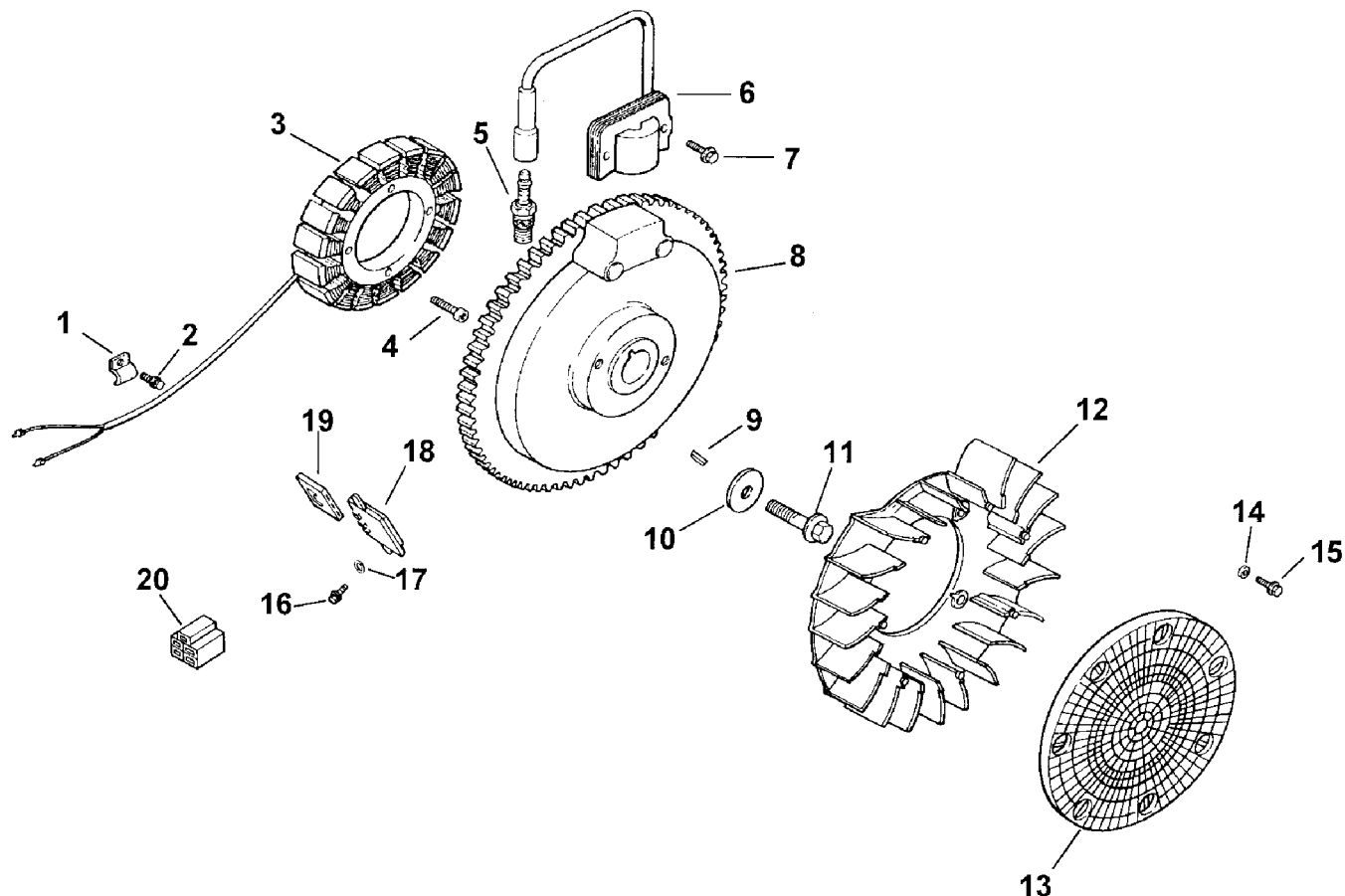


## Cylinder Head / Valve & Breather

| Ref. No. | Part No.  | Qty. | Description   |
|----------|-----------|------|---|
| 1        | M-0645020 | 4    | Screw, hex. flange<br>M6x1.0x20                     |
| 2        | M-0645025 |      | Screw, hex. flange<br>M6x1.0x25                     |
| 3        | 12 096 07 |      | Cover, valve w/nipple                               |
| 4        | 12 445 05 |      | Strap, lifting (PTO side)                           |
| 5        | X-426-9   |      | Clamp, hose   |
| 6        | 12 326 09 |      | Hose, breather                                      |
| 7        | 12 041 01 |      | Kit, cylinder head<br>(Includes 8-23,               |
|          | 12 041 02 | 2    | carburetor gasket ,<br>air cleaner, base<br>gasket, |
|          | 12 041 03 |      | & exhaust manifold<br>gasket)                       |
| 8        | 12 755 03 | 2    | Kit, retainer                                       |
| 9        | 12 173 01 | 2    | Cap, valve spring                                   |
| 10       | 12 089 01 | 2    | Spring, valve                                       |
| 11       | 24 032 05 | 2    | Seal, valve stem                                    |
| 12       | 12 468 05 |      | Washer, plain 13/32                                 |
| 13       | 12 112 13 |      | Spacer, head bolt<br>exhaust port                   |
| 14       | 12 086 15 | 5    | Screw, hex. flange<br>M10x1.5x81                    |
| 15       | M-0640034 | 2    | Screw, hex. flange<br>M6x1.0x34                     |

| Ref. No. | Part No.  | Qty. | Description                                       |
|----------|-----------|------|---|
| 16       | 12 599 03 | 2    | Pivot, rocker arm                                 |
| 17       | 25 186 01 | 2    | Arm, rocker                                       |
| 18       | 12 318 19 |      | Head, cylinder                                    |
| 19       | X-75-23   |      | Plug, allen hd. 1/8 pipe                          |
| 20       | 12 017 01 |      | Valve, intake (Std.)                              |
| 21       | 12 016 01 |      | Valve, exhaust (Std.)                             |
| 22       | 12 041 08 |      | Gasket, cylinder head                             |
| 23       | 12 411 01 | 2    | Rod, push   |
| 24       | 12 351 02 | 2    | Lifter, valve                                     |
| 25       | 12 402 02 |      | Reed, breather                                    |
| 26       | M-0545010 |      | Screw, hex. flange<br>M5x0.8x10                   |
| 27       | 12 018 03 |      | Retainer, breather reed<br><b>Not Illustrated</b> |
|          | 12 017 02 |      | Valve, intake (.25)                               |
|          | 12 016 02 |      | Valve, exhaust (.25)                              |

Kohler Engine CH14S 1838  
Obtain Parts From Kohler

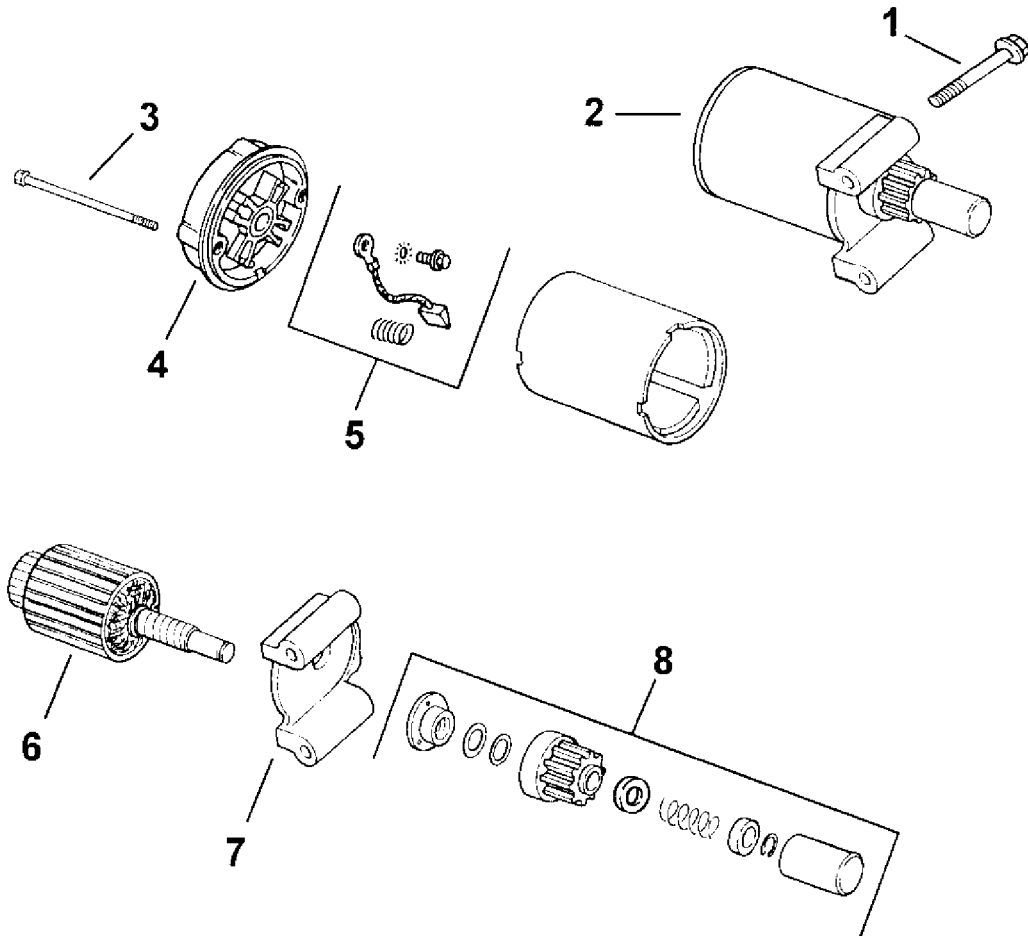


## Ignition / Electrical

| Ref. No. | Part No.  | Qty.      | Description   |
|----------|-----------|-----------|---|
| 1        | X-728-1   | 2         | Clip  |
| 2        | M-0545010 | (2)       | Screw, hex. flange<br>M5x0.8x10   |
| 3        | 24 126 71 |           | Kit, 15 amp stator<br>(Includes<br>Bracket).  |
| 4        | M-0548025 | 2         | Screw, hex. cap<br>M5x0.8x25  |
| 5        | 12 132 02 |           | Spark Plug  |
| 6        | 12 584 04 |           | Module, ignition  |
| 7        | M-0545020 | 2         | Screw, hex. flange<br>M5x0.8x20   |
| 8        | 12 025 15 |           | Flywheel  |
| 9        | X-42-15   |           | Key   |
| 10       | 12 468 03 |           | Washer, plain 3/8   |
| 11       | 12 086 14 |           | Screw, hex. flange<br>M10x1.5x46  |
| 12       | 12 157 03 |           | Fan   |
| 13       | 24 162 03 |           | Screen, grass   |
| 14       | 12 112 01 | 4         | Spacer, fan   |
| 15       | M-0639016 | 4         | Screw, hex. flange<br>M6x1.0x16   |
| 16       | M-0639016 | 2         | Screw, hex. flange<br>M6x1.0x16   |
| 17       | X-22-11   |           | Washer, lock 1/4"   |
| 18       | 41 403 09 |           | Rectifier-regulator   |
| 19       | Connector |           | 236602  |
| 20       | Connector | 48 155 01 | NOT ILLUSTRATED   |
|          |           | 25 518 29 | Lead, black (6" - 18<br>gauge - insulated grip<br>barrel eyelet terminals)  |
|          |           | 12 518 01 | Lead, white, ground<br>to kill (19" - 18 gauge -<br>insulated push on tab,<br>uninsulated push on<br>tab terminals) |
|          |           | 25 518 05 | Lead, black,<br>rectifier-regulator<br>(5" - 14 gauge -<br>uninsulated push on<br>tab terminals)                    |
|          |           | 24 126 71 | Bracket, stator wire  |

Kohler Engine MS14S 1838  
Obtain Parts From Kohler



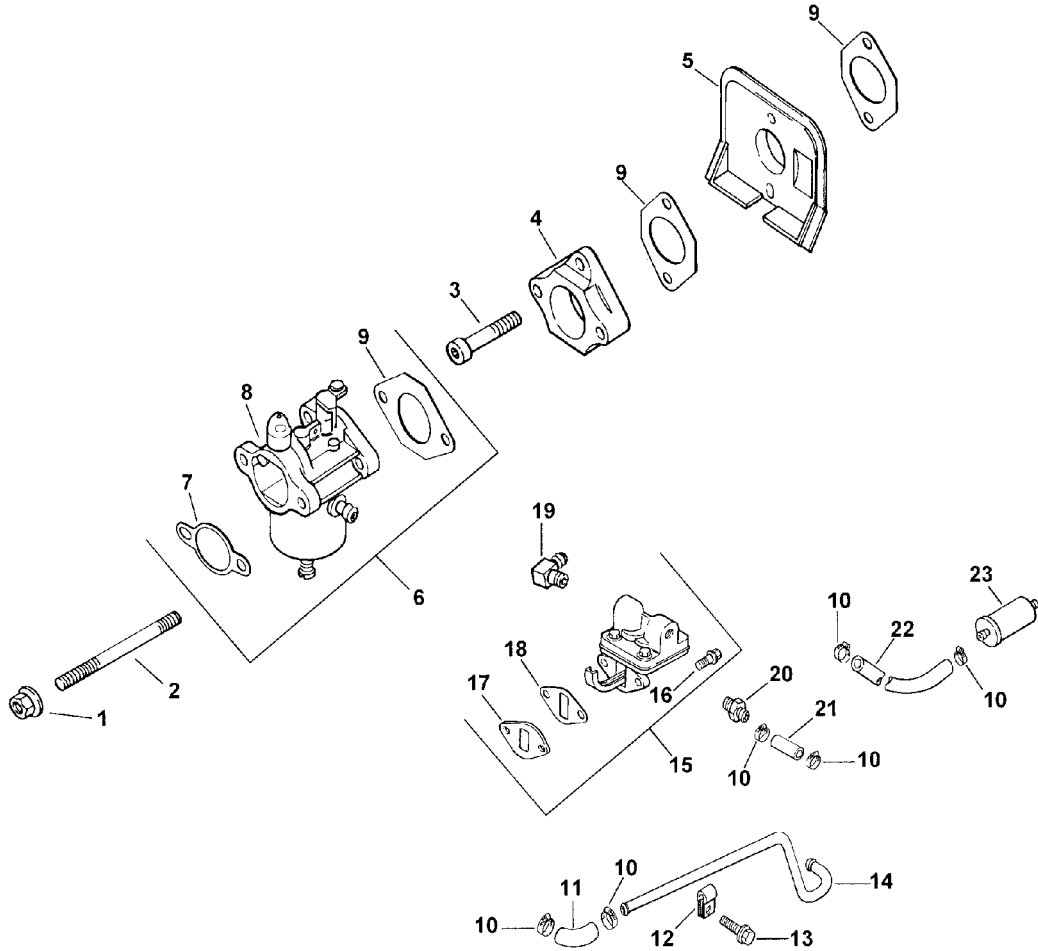


### Starter

| Ref. No. | Part No.  | Qty. | Description                        |
|----------|-----------|------|------------------------------------|
| 1        | M-0839070 | 2    | Screw, hex. flange<br>M8x1.25x70   |
| 2        | 12 098 12 |      | Starter assembly<br>(Includes 3-8) |
| 3        | 12 086 25 | 2    | Screw, hex. flange<br>1/4-20x4-5/8 |
| 4        | 12 227 10 |      | Cap, commutator end                |
| 5        | 82 755 28 |      | Kit, brush & spring                |
| 6        | 45 170 03 |      | Armature                           |
| 7        | 12 227 05 |      | Cap, drive end                     |
| 8        | 12 755 53 |      | Kit, drive                         |

| Ref. No. | Part No. | Qty. | Description |
|----------|----------|------|-------------|
|          |          |      |             |
|          |          |      |             |
|          |          |      |             |
|          |          |      |             |
|          |          |      |             |
|          |          |      |             |
|          |          |      |             |
|          |          |      |             |
|          |          |      |             |
|          |          |      |             |

Kohler Engine MS14S 1838  
Obtain Parts From Kohler

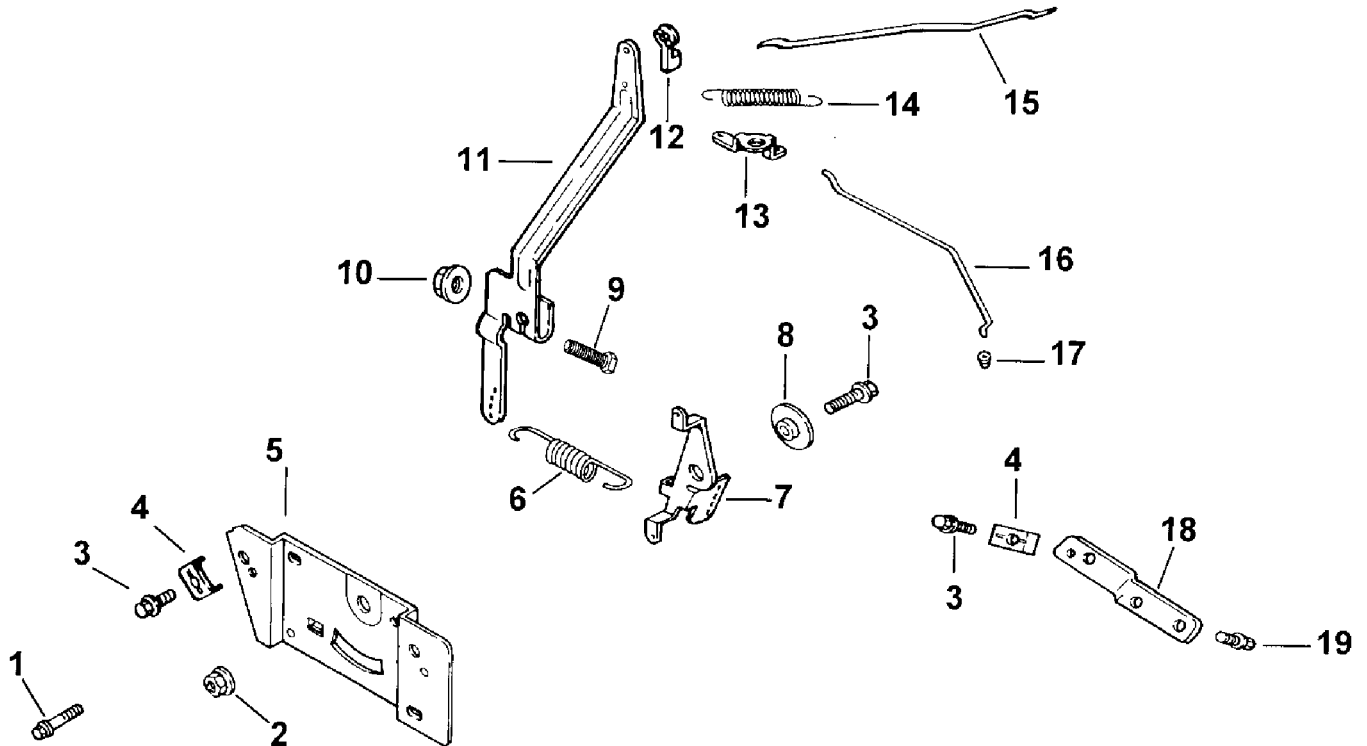


## Carburetor & Fuel Pump

| Ref. No. | Part No.  | Qty. | Description   |
|----------|-----------|------|---|
| 1        | M-0641060 | 2    | Nut, hex. flange M6x1.0   |
| 2        | M-0629085 | 2    | Stud M6x1.0x85  |
| 3        | M-0644035 | 2    | Screw, hex. socket cap M6x1.0x35  |
| 4        | 12 029 04 |      | Adapter, carburetor   |
| 5        | 12 265 04 |      | Deflector, heat   |
| 6        | 12 853 60 | 1    | Kit, carburetor w/gaskets (Incl. 7-90)  |
| 7        | 12 041 02 |      | Gasket, air cleaner   |
| 8        | 12 053 60 |      | Carburetor assembly (For information only not available separately) (Service with parts listed under "Not Illustrated") |
| 9        | 12 041 01 | 3    | Gasket, carburetor  |
| 10       | X-426-9   | 6    | Clamp, hose   |
| 11       | 12 353 07 |      | Line, fuel  |
| 12       | 12 154 01 |      | Clip, tube  |
| 13       | M-0545010 |      | Screw, hex. flange M5x0.8x10  |
| 14       | 12 353 11 |      | Line, fuel - metal  |
| 15       | 12 559 01 |      | Kit, fuel pump (Includes 16-18)   |
| 16       | M-0645020 | 2    | Screw, hex. flange M6x1.0x20  |
| 17       | 12 112 05 |      | Spacer  |
| 18       | 25 041 09 | (2)  | Gasket, fuel pump   |

| Ref. No.               | Part No.  | Qty. | Description                    |
|------------------------|-----------|------|--------------------------------|
| 19                     | 25 155 02 |      | Connector, 90_ hose            |
| 20                     | X-380-1   |      | Connector, straight hose       |
| 21                     | 12 353 01 |      | Line, fuel 1-1/4"              |
| 22                     | 25 353 02 |      | Line, fuel 3"                  |
| 23                     | 25 050 02 |      | Filter, fuel                   |
| <b>NOT ILLUSTRATED</b> |           |      |                                |
|                        | 12 368 05 |      | Needle, idle fuel adjusting    |
|                        | 12 089 09 | 2    | Spring, idle adjusting         |
|                        | 12 086 04 |      | Screw, idle speed adjusting    |
|                        | 12 146 03 |      | Plate, throttle                |
|                        | 25 086 27 | 2    | Screw, throttle plate          |
|                        | 12 144 09 |      | Shaft, throttle w/lever & seal |
|                        | 12 337 04 |      | Jet, main                      |
|                        | 12 757 08 |      | Kit, choke repair              |
|                        | 12 146 12 |      | Plate, choke                   |
|                        | 12 173 06 |      | Cap, choke lever               |
|                        | 25 086 27 | 2    | Screw, choke plate             |
|                        | 12 757 02 |      | Kit, float                     |
|                        | 12 041 05 |      | Gasket, bowl                   |
|                        | 12 104 01 |      | Bowl, fuel                     |
|                        | 12 086 05 |      | Screw, fuel bowl retainer      |
|                        | 12 041 06 |      | Gasket, bowl retainer screw    |
|                        | 12 757 03 |      | Kit, carburetor repair         |

Kohler Engine MS14S 1838  
 Obtain Parts From Kohler



## Engine Controls

| Ref. No. | Part No.   | Qty. | Description                      | Ref. No. | Part No. | Qty. | Description |
|----------|------------|------|----------------------------------|----------|----------|------|-------------|
| 1        | M-0664020  | 2    | Screw, lobed socket<br>M6x1.0x20 |          |          |      |             |
| 2        | M-0541050  |      | Nut, hex. flange<br>M5x0.8       |          |          |      |             |
| 3        | M-0545016  | 4    | Screw, hex. flange<br>M5x0.8x16  |          |          |      |             |
| 4        | 12 237 01  | 3    | Clamp, cable                     |          |          |      |             |
| 5        | 12 146 05  |      | Plate, control                   |          |          |      |             |
| 6        | 12 089 17  |      | Spring, governor                 |          |          |      |             |
| 7        | 12 090 13  |      | Lever, throttle control          |          |          |      |             |
| 8        | 12 112 07  |      | Spacer, throttle control         |          |          |      |             |
| 9        | SM-0642025 |      | Screw, hex. flange<br>M6x1.0x25  |          |          |      |             |
| 10       | M-0641060  |      | Nut, hex. flange<br>M6x1.0       |          |          |      |             |
| 11       | 12 090 19  |      | Lever, governor                  |          |          |      |             |
| 12       | 25 158 11  |      | Bushing, throttle                |          |          |      |             |
| 13       | 12 090 14  |      | Lever, choke - upper             |          |          |      |             |
| 14       | 230117     | 2    | Spring, linkage                  |          |          |      |             |
| 15       | 12 079 04  |      | Linkage, throttle                |          |          |      |             |
| 16       | 12 079 08  |      | Linkage, choke - upper           |          |          |      |             |
| 17       | 25 158 08  |      | Bushing, linkage                 |          |          |      |             |
| 18       | 12 126 15  |      | Bracket, choke mount             |          |          |      |             |
| 19       | M-0545010  |      | Screw, hex. flange<br>M5x0.8x10  |          |          |      |             |

Kohler Engine MS14S 1838  
Obtain Parts From Kohler





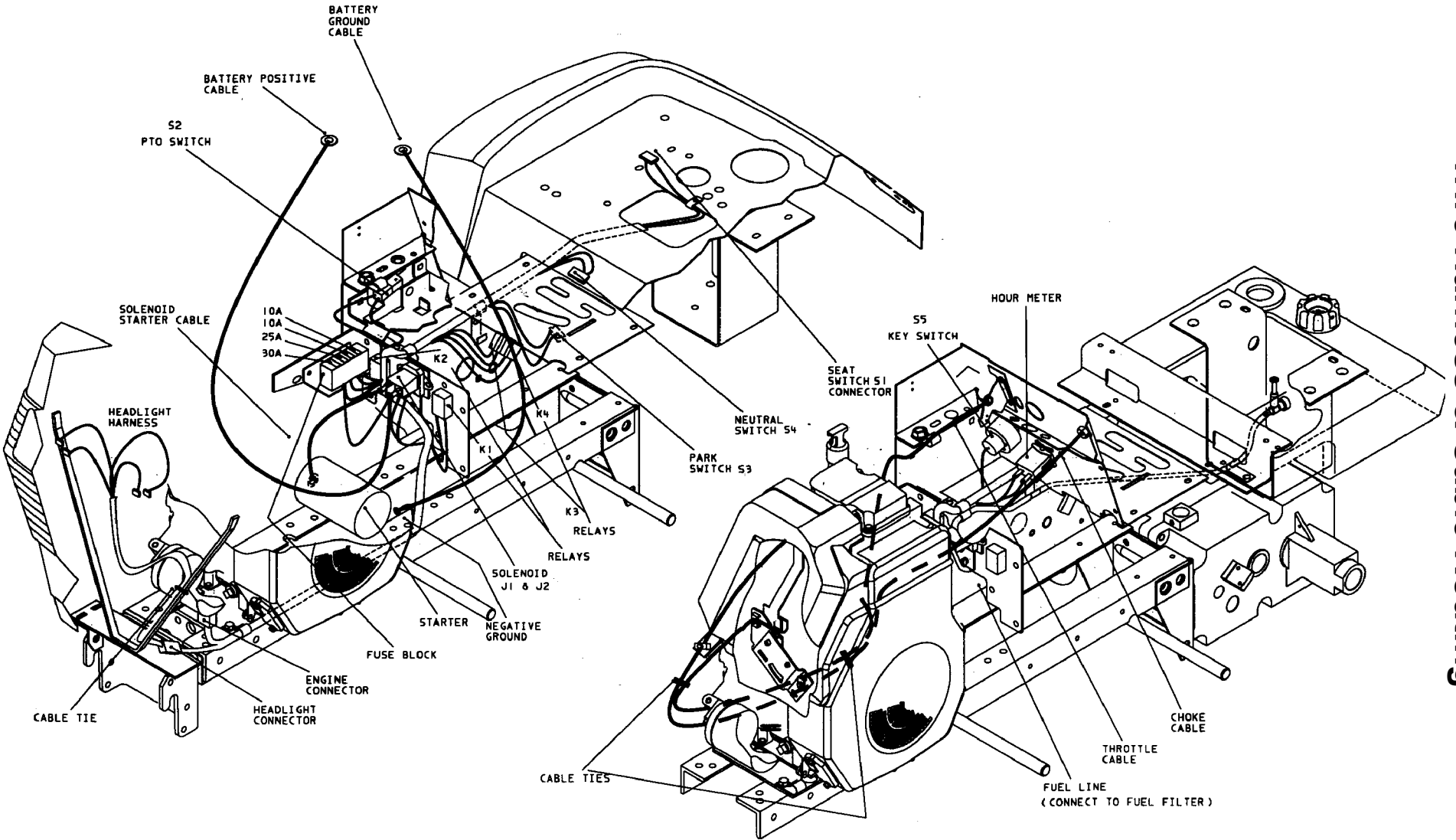
## Exhaust

| Ref. No. | Part No.               | Qty. | Description                   |
|----------|------------------------|------|-------------------------------|
| 1        | 25 072 04<br>12 755 82 | 2    | Stud M8x1.25x33<br>Gasket Set |

| Ref. No. | Part No. | Qty. | Description |
|----------|----------|------|-------------|
|          |          |      |             |

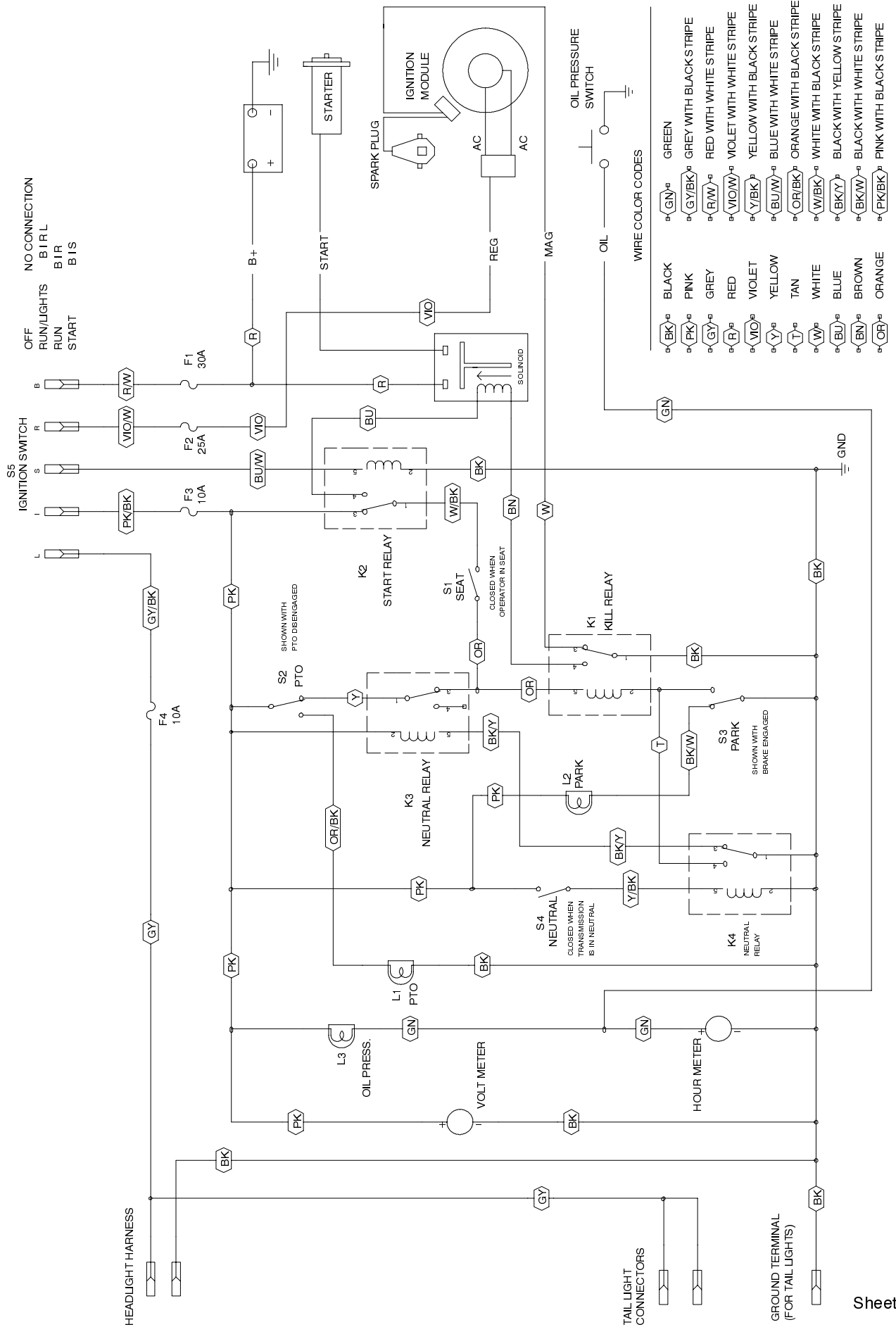
Kohler Engine MS14S 1838  
Obtain Parts From Kohler

Wire Harness & Cable Routing



312-8 WIRE HARNESS, CABLE, AND TUBE ROUTING  
SINGLE CYLINDER

# Electric Schematic



# Toro Part Number Index

| Part No.  | Page No. | Ref. No. | Qty. | Description          |
|-----------|----------|----------|------|----------------------|
| 24 085 16 | 12       | 2        | 1    | Screw-HHF            |
| 1121      | 6        | 9        | 1    | Key-Square           |
| 1239      | 13       | 17       | 1    | Screw-Hshset         |
| 1243      | 19       | 21       | 1    | Plug-Cup             |
| 1278      | 2        | 9        | 3    | Washer-Shim          |
| 1278      | 7        | 22       | 1    | Washer-Shim          |
| 1278      | 14       | 14       | 4    | Washer-Shim          |
| 1518      | 20       | 26:1     | 2    | Bearing-Needle       |
| 1518      | 20       | 29:1     | 2    | Bearing-Needle       |
| 1523      | 19       | 13       | 1    | Bearing-Needle       |
| 1529      | 19       | 25       | 1    | Bearing-Needle       |
| 1532      | 19       | 3        | 2    | Bearing-Needle       |
| 1542      | 20       | 33       | 1    | Bearing-Needle       |
| 2844      | 13       | 12       | 1    | Washer-Flat          |
| 3023      | 9        | 25       | 1    | Clip                 |
| 3503      | 20       | 17       | 2    | Fork-Shift           |
| 3517      | 19       | 22       | 2    | Ball-Detent          |
| 3517      | 20       | 21       | 1    | Ball-Detent          |
| 3527      | 19       | 15       | 1    | Gear-Cluster         |
| 3577      | 13       | 21       | 1    | Cover-Dust           |
| 3624      | 6        | 12       | 1    | Spring-Compression   |
| 3765      | 7        | 8        | 1    | Washer-Flat          |
| 3765      | 11       | 8        | 1    | Washer-Flat          |
| 3909      | 19       | 17       | 1    | Pin                  |
| 3912      | 19       | 8        | 1    | Gasket-Transmission  |
| 3915      | 19       | 7        | 2    | Pin-Dowel            |
| 4204      | 19       | 16       | 1    | Gear-Idler           |
| 5108      | 14       | 3:3      | 2    | Valve-Tire Tubeless  |
| 5108      | 14       | 10:3     | 2    | Valve-Tire Tubeless  |
| 5173      | 20       | 28       | 1    | Gear-Hi And 2nd      |
| 5174      | 20       | 27       | 1    | Gear-Low And Reverse |
| 5175      | 20       | 26       | 1    | Gear ASM             |
| 5210      | 2        | 17       | 14   | Washer-Shim          |
| 5210      | 14       | 15       | 2    | Washer-Shim          |
| 5280      | 6        | 22       | 1    | Knob-Control         |
| 5614      | 19       | 24       | 1    | Pin-Shift            |
| 5615      | 20       | 14       | 1    | Rail-Shift           |
| 5616      | 20       | 15       | 1    | Rail-Shift           |
| 5618      | 2        | 30       | 1    | Ring-Retaining       |
| 5618      | 15       | 11       | 2    | Ring-Retaining       |
| 5666      | 11       | 4        | 2    | Bushing-Flanged      |
| 5979      | 1        | 17       | 2    | Bushing              |
| 6216      | 2        | 26       | 1    | Pin-Pivot            |
| 6229      | 6        | 29       | 1    | Bushing-Flanged      |
| 6397      | 2        | 8        | 1    | Bushing              |
| 6472      | 2        | 1        | 1    | Bearing-Pillow       |
| 6658      | 10       | 13       | 1    | Race-Bearing         |
| 6659      | 10       | 12       | 2    | Retainer-Plate       |
| 6662      | 10       | 16       | 1    | Bearing-Needle       |
| 6663      | 10       | 15       | 1    | Seal-Oil             |
| 6739      | 6        | 36       | 1    | Trunnion             |
| 6820      | 8        | 8        | 1    | Grip                 |
| 7201      | 20       | 31       | 1    | Shaft-Input          |
| 7204      | 20       | 29       | 1    | Gear ASM             |
| 7205      | 20       | 30       | 1    | Gear-Sliding         |
| 7206      | 20       | 23       | 1    | Gear-Reduction       |
| 7207      | 20       | 22       | 2    | Bearing-Needle       |
| 7208      | 20       | 24       | 1    | Shaft-Gear           |
| 7213      | 20       | 18       | 1    | Screw-Detent         |
| 7214      | 20       | 25       | 1    | Lever-Shift          |
| 7269      | 19       | 18       | 1    | Gear Cluster ASM     |
| 7418      | 20       | 32       | 1    | Washer-Thrust        |

\*Not Illustrated

# Toro Part Number Index (cont.)

| Part No. | Page No. | Ref. No. | Qty. | Description         |
|----------|----------|----------|------|---------------------|
| 7456     | 4        | 10       | 4    | Clamp               |
| 7466     | 10       | 9        | 1    | Pulley-Engine       |
| 7879     | 8        | 1        | 2    | Bushing-Flanged     |
| 7896     | 2        | 12       | 1    | Washer-Bowed        |
| 7896     | 7        | 19       | 1    | Washer-Bowed        |
| 8130     | 6        | 13       | 1    | Retainer-Spring     |
| 8616     | 15       | 20       | 2    | Spring-Compression  |
| 8830     | 6        | 38       | 4    | Retainer-"J"        |
| 8830     | 12       | 16       | 1    | Retainer-"J"        |
| 8830     | 15       | 28       | 1    | Retainer-"J"        |
| 8830     | 17       | 11       | 1    | Retainer-"J"        |
| 9038     | 15       | 12       | 1    | Grip                |
| 9416     | 19       | 4        | 2    | Bearing-Needle      |
| 9547     | 20       | 7        | 1    | Washer-Thrust       |
| 9593     | 13       | 10       | 1    | Band-Brake          |
| 100441   | 19       | 11       | 1    | Seal-Oil            |
| 100442   | 20       | 34       | 1    | Seal-Oil            |
| 100443   | 19       | 1        | 4    | Seal-Oil            |
| 101017   | 15       | 15       | 1    | Lock-Hitch          |
| 101161   | 7        | 11       | 1    | Trunnion            |
| 101623   | 20       | 10       | 8    | Gear-Pinion         |
| 101625   | 4        | 9        | 1    | Pinion Shaft        |
| 101626   | 4        | 9        | 1    | Gear-44t            |
| 101707   | 15       | 23       | 1    | Lock-Attachment     |
| 101750   | 15       | 19       | 1    | Rod-Pivot           |
| 101751   | 15       | 27       | 1    | Rod-Lock            |
| 101850   | 1        | 15       | 1    | Rod-Stop            |
| 101889   | 20       | 5        | 2    | Gear-Axle           |
| 102025   | 8        | 10       | 1    | Spacer              |
| 102703   | 13       | 5        | 1    | Tube-Fill           |
| 102872   | 10       | 2        | 1    | Shaft-PTO           |
| 102881   | 1        | 3        | 2    | Headlamp            |
| 102974   | 20       | 9        | 1    | Gear-ASM            |
| 103125   | 11       | 7        | 1    | Spring-Extension    |
| 103347   | 7        | 14       | 1    | Rod-Clutch          |
| 103628   | 8        | 6        | 1    | Spring-Extension    |
| 104047   | 17       | 1:3      | 1    | Bushing             |
| 104048   | 17       | 1:2      | 1    | Valve ASM           |
| 104859   | 11       | 18       | 1    | Spacer-Flanged      |
| 104962   | 16       | 5        | 1    | Battery             |
| 105061   | 20       | 8        | 1    | Gear-Differential   |
| 105202   | 9        | 22       | 2    | Base-Light          |
| 105269   | 15       | 5        | 1    | Pin-Hitch           |
| 105316   | 6        | 10       | 2    | Cap-Rod             |
| 105316   | 15       | 14       | 2    | Cap-Rod             |
| 105453   | 10       | 10       | 1    | Ket                 |
| 105503   | 9        | 5        | 2    | Bushing             |
| 105797   | 1        | 18       | 2    | Ring-Retaining      |
| 105797   | 15       | 18       | 8    | Ring-Retaining      |
| 105875   | 19       | 2        | 2    | Axle-Rear           |
| 105876   | 20       | 6        | 2    | Ring-Retaining      |
| 105900   | 8        | 13       | 1    | Rod-Brake           |
| 106030   | 19       | 23       | 1    | Spring-Stop         |
| 106030   | 20       | 20       | 1    | Spring-Stop         |
| 106165   | 13       | 19       | 1    | Pulley-Transmission |
| 106193   | 7        | 2        | 1    | Screw-Spec HH       |
| 106234   | 17       | 1        | 1    | Tank ASM-Fuel       |
| 106235   | 17       | 1:1      | 1    | Tank                |
| 106257   | 6        | 18       | 1    | Rod-Latch           |
| 106269   | 6        | 3        | 2    | Bearing-Flange      |
| 106417   | 8        | 16       | 1    | Rod-Pivot           |
| 106522   | 6        | 35       | 1    | Chain-Lift          |

\*Not Illustrated

# Toro Part Number Index (cont.)

| Part No. | Page No. | Ref. No. | Qty. | Description        |
|----------|----------|----------|------|--------------------|
| 106634   | 15       | 8        | 1    | Pin-Attachment     |
| 106695   | 10       | 20       | 1    | Ring-Retaining     |
| 106719   | 13       | 11       | 1    | Drum-Brake         |
| 106948   | 16       | 8        | 1    | Tray-Battery       |
| 107069   | 3        | 19       | 4    | Nut-Panel          |
| 107069   | 4        | 5        | 6    | Nut-Panel          |
| 107374   | 20       | 3        | 4    | Washer-Flat        |
| 107677   | 8        | 12       | 1    | Spring-Extension   |
| 108457   | 4        | 14       | 1    | Nut-Push           |
| 108565   | 6        | 8        | 1    | Shaft-Lift Lever   |
| 108758   | 13       | 3        | 1    | Knob               |
| 108881   | 15       | 4        | 6    | Nut-Hex            |
| 108881   | 20       | 11       | 4    | Nut-Hex            |
| 109189   | 2        | 16       | 1    | Bearing-Flange     |
| 109262   | 2        | 13       | 2    | Washer             |
| 109459   | 1        | 5        | 2    | Clamp-Headlight    |
| 109494   | 1        | 2        | 1    | Bezel-Headlight    |
| 109495   | 1        | 1        | 1    | Bezel-Headlight    |
| 109500   | 14       | 10:6     | 2    | Fitting-Grease     |
| 109530   | 5        | 20       | 1    | Nut                |
| 109842   | 10       | 5        | 1    | Bearing-Ball       |
| 109989   | 9        | 13       | 2    | Spacer             |
| 110234   | 13       | 13       | 1    | Screw              |
| 110513   | 14       | 10:2     | 4    | Bearing-Wheel      |
| 110653   | 6        | 26       | 1    | Rod-Control        |
| 110656   | 11       | 12       | 1    | Trunnion           |
| 110669   | 11       | 11       | 1    | Plate-PTO          |
| 110727   | 13       | 23       | 1    | Rod-Shift          |
| 110769   | 13       | 32       | 1    | Spring-Extension   |
| 111052   | 11       | 24       | 1    | Rod-Clutch         |
| 111096   | 20       | 29       | 1    | Gear               |
| 111099   | 20       | 26       | 1    | Gear               |
| 111196   | 20       | 4        | 2    | Cap-End            |
| 111199   | 20       | 2        | 2    | Bearing-Ball       |
| 111314   | 10       | 27       | 1    | Lock Pin ASM       |
| 111332   | 3        | 17       | 1    | Switch-Interlock   |
| 111332   | 18       | 4        | 1    | Switch-Interlock   |
| 111383   | 7        | 18       | 1    | Collar w/Set Screw |
| 111383   | 8        | 20       | 1    | Collar w/Set Screw |
| 111392   | 3        | 16       | 1    | J-Clip             |
| 111510   | 3        | 38       | 1    | Decal-Brake        |
| 111516   | 14       | 3:1      | 2    | Wheel              |
| 111534   | 3        | 32       | 1    | Decal-Pattern      |
| 111757   | 1        | 7        | 1    | Edging             |
| 111926   | 3        | 36       | 1    | Decal-Electric     |
| 112358   | 1        | 28       | 1    | Hood & Grill       |
| 112415   | 3        | 7        | 1    | Stop-PTO           |
| 112564   | 9        | 26       | 2    | Lens-Light         |
| 112841   | 11       | 25       | 1    | Cap                |
| 113010   | 16       | 10       | 1    | Hold Down          |
| 113107   | 10       | 26       | 1    | Clevis             |
| 113108   | 10       | 1        | 1    | Rod-Housing        |
| 113443   | 2        | 14       | 1    | Tube-Shaft         |
| 113969   | 16       | 9        | 2    | Hook-Retainer      |
| 114720   | 16       | 7        | 1    | Tube-Battery Drain |
| 115411   | 18       | 2        | 1    | Bracket-Switch     |
| 116000   | 4        | 8        | 6    | Screw-CARR         |
| 116397   | 3        | 39       | 2    | Relay              |
| 116397   | 18       | 17       | 2    | Relay              |
| 116636   | 20       | 19       | 1    | Fork ASM           |
| 116744   | 14       | 3:2      | 2    | Tire               |
| 116745   | 1        | 19       | 1    | Rod-Pivot          |

\*Not Illustrated

# Toro Part Number Index (cont.)

| Part No. | Page No. | Ref. No. | Qty. | Description   |
|----------|----------|----------|------|---------------|
| 116746   | 1        | 20       | 1    | Bracket-Grill |
| 116747   | 1        | 13       | 1    | Bracket-Grill |
| 117127   | 14       | 10:4     | 2    | Tire          |
| 117343   | 3        | 11       | 2    | Latch-Hood    |
| 117344   | 1        | 10       | 2    | Handle-Latch  |
| 117371   | 3        | 21       | 4    | Screw-CARR    |
| 117432   | 1        | 9        | 4    | Poprivet      |
| 117432   | 3        | 12       | 4    | Poprivet      |
| 117930   | 15       | 17       | 1    | Latch ASM-Mid |
| 700806   | 9        | 15       | 2    | Knob          |
| 700919   | 5        | 21       | 1    | Nut           |
| 701178   | 9        | 1        | 2    | Cap-Protector |
| 911423   | 20       | 1        | 4    | Screw-HH      |
| 920248   | 7        | 16       | 1    | Washer-Nylon  |
| 920248   | 8        | 4        | 2    | Washer-Nylon  |
| 933148   | 6        | 17       | 1    | Pin-Spirol    |
| 933156   | 20       | 16       | 2    | Pin-Spirol    |
| 933184   | 13       | 22       | 1    | Pin-Spirol    |
| 933190   | 7        | 13       | 1    | Pin           |
| 933267   | 7        | 33       | 1    | Pin           |
| 933274   | 10       | 25       | 1    | Pin-Spirol    |
| 937108   | 13       | 25       | 2    | Key-Woodruff  |
| 937221   | 13       | 18       | 1    | Key-Woodruff  |
| 9080026  | 10       | 14       | 4    | Screw-HH      |
| 9103312  | 12       | 13       | 4    | Screw         |
| 9107922  | 5        | 7        | 2    | Screw-Phcr    |
| 9107944  | 18       | 8        | 2    | Screw-Phcr    |
| 9108372  | 3        | 1        | 8    | Screw-Phcr    |
| 9108372  | 4        | 7        | 2    | Screw-Phcr    |
| 9109484  | 3        | 6        | 6    | Screw-Phcr    |
| 9109484  | 18       | 5        | 2    | Screw-Phcr    |
| 9151126  | 3        | 22       | 4    | Nut           |
| 9157324  | 3        | 18       | 6    | Nut-Lock      |
| 9157324  | 18       | 1        | 2    | Nut-Lock      |
| 9157404  | 5        | 1        | 2    | Nut           |
| 9157404  | 18       | 12       | 2    | Nut           |
| 9202254  | 7        | 23       | 1    | Washer-Flat   |
| 9266714  | 1        | 6        | 2    | Screw-HWHTF   |
| 9266714  | 18       | 6        | 1    | Screw-HWHTF   |
| 9266944  | 3        | 8        | 11   | Screw-HH      |
| 9266944  | 4        | 15       | 1    | Screw-HH      |
| 9266944  | 6        | 7        | 1    | Screw-HH      |
| 9266944  | 8        | 17       | 1    | Screw-HH      |
| 9266944  | 9        | 10       | 8    | Screw-HH      |
| 9266944  | 18       | 20       | 5    | Screw-HH      |
| 9266964  | 6        | 21       | 2    | Screw-HH      |
| 9266974  | 17       | 8        | 2    | Screw-HH      |
| 9335054  | 6        | 32       | 2    | Hairpin       |
| 9335054  | 8        | 3        | 2    | Hairpin       |
| 9335054  | 11       | 9        | 1    | Hairpin       |
| 9335054  | 15       | 10       | 1    | Hairpin       |
| 9335064  | 10       | 23       | 1    | Hairpin       |
| 9335074  | 6        | 19       | 2    | Hairpin       |
| 9791204  | 15       | 6        | 2    | Spacer        |
| 28-2480  | 14       | 13       | 2    | Washer-Flat   |
| 28-8080  | 16       | 2        | 1    | Boot-Terminal |
| 38-1420  | 9        | 19       | 1    | Switch-Seat   |
| 55-3570  | 17       | 7        | 1    | Cap-Fuel      |
| 61-9780  | 14       | 12       | 2    | Hubcap        |
| 62-7770  | 5        | 10       | 1    | Key-Ignition  |
| 66-0120  | 5        | 6        | 1    | Knob          |
| 76-1340  | 9        | 30       | 1    | Decal-USA     |

\*Not Illustrated

# Toro Part Number Index (cont.)

| Part No.   | Page No. | Ref. No. | Qty. | Description          |
|------------|----------|----------|------|----------------------|
| 78-0080    | 5        | 12:3     | 1    | Bracket-Mounting     |
| 78-1550    | 6        | 28       | 1    | Lever-Lift           |
| 78-2880-03 | 2        | 4        | 1    | Shaft-Steering       |
| 78-2900-01 | 2        | 33       | 2    | Rod ASM-Tie          |
| 78-2970-03 | 7        | 5        | 1    | Arm-Idler            |
| 78-3010-03 | 3        | 23       | 1    | Support-Battery      |
| 78-3020-03 | 18       | 22       | 1    | Plate-Front          |
| 78-3240    | 7        | 29       | 1    | Spring-Gas           |
| 78-3250    | 7        | 28       | 1    | Spacer-Shoulder      |
| 78-3260    | 7        | 32       | 1    | Spacer-Shoulder      |
| 79-0060    | 5        | 12       | 1    | Voltmeter            |
| 79-0950-03 | 9        | 17       | 1    | Bracket-Pivot RH     |
| 79-0970-03 | 9        | 12       | 1    | Bracket-Pivot LH     |
| 79-4990-03 | 17       | 19       | 1    | Bracket-Support      |
| 83-2710    | 13       | 1        | 1    | Knob                 |
| 83-2720    | 14       | 2        | 10   | Bolt-Lug             |
| 83-2890    | 19       | 12       | 1    | Bearing-Needle       |
| 83-3530    | 19       | 19       | 1    | Shaft-Cluster        |
| 83-6520    | 15       | 16       | 1    | Rod-Lock             |
| 88-2170-03 | 3        | 24       | 1    | Bracket-Support      |
| 88-2710-03 | 2        | 5        | 1    | Support-Steering     |
| 92-4987    | 2        | 19       | 1    | Shaft-Steering       |
| 92-6511    | 9        | 9        | 1    | Seat                 |
| 92-6710    | 6        | 11       | 1    | Grip-Handle          |
| 92-6716    | 12       | 19       | 1    | Gasket-Exhaust       |
| 92-6750    | 9        | 8        | 2    | Spacer-Nylon         |
| 92-6780    | 12       | 18       | 2    | Nut-HHF              |
| 92-6785    | 5        | 14       | 1    | Switch-Ignition      |
| 92-6849    | 8        | 23       | 1    | Rod-Brake            |
| 92-6972-03 | 9        | 7        | 1    | Support-Seat         |
| 92-6986    | 9        | 6        | 2    | Bolt-Shoulder        |
| 92-7054    | 9        | 3        | 2    | Spring-Compression   |
| 92-8747    | 15       | 29       | 2    | Decal-Attach A Matic |
| 92-8946    | 3        | 31       | 1    | Decal-Danger         |
| 92-9514    | 17       | 20       | 1    | Line-Fuel            |
| 92-9824    | 1        | 27       | 1    | Decal-Hood           |
| 92-9825    | 1        | 25       | 1    | Decal-Hood           |
| 92-9826    | 1        | 24       | 1    | Decal-Hood           |
| 92-9827    | 9        | 28       | 1    | Decal-Fender         |
| 92-9829    | 3        | 30       | 2    | Decal-314 8 Speed    |
| 92-9845    | 18       | 15       | 1    | Solenoid             |
| 93-1613    | 15       | 22       | 1    | Latch-Front          |
| 93-9800    | 14       | 10       | 2    | ASM-Wheel & Tire     |
| 93-9801    | 14       | 10:1     | 2    | ASM-Wheel w/Zerk     |
| 93-9808    | 7        | 1        | 1    | Belt-V               |
| 94-1834    | 13       | 24       | 1    | Decal-Unidrive       |
| 94-2869    | 9        | 14       | 2    | Washer-Flat          |
| 94-3521-01 | 4        | 17       | 1    | Footrest-RH          |
| 94-3522-01 | 4        | 9        | 1    | Footrest-LH          |
| 94-3701    | 11       | 2        | 1    | Rod-PTO Control      |
| 94-3703-01 | 7        | 20       | 1    | Pedal-Clutch         |
| 94-3704    | 10       | 21       | 1    | Cover-PTO/Belt       |
| 94-3706-01 | 8        | 18       | 1    | Pedal-Brake          |
| 94-3710    | 4        | 1        | 1    | Mat-Foot             |
| 94-3712    | 4        | 2        | 1    | Mat-Foot             |
| 94-3722-01 | 9        | 11       | 1    | Fender               |
| 94-3726-03 | 10       | 18       | 1    | Bracket-Cover        |
| 94-3727    | 11       | 1        | 1    | Knob-PTO             |
| 94-3735    | 10       | 22       | 2    | Nut-Wing             |
| 94-3736    | 1        | 23       | 1    | Plate-Logo           |
| 94-3738    | 12       | 12       | 1    | Shield-Heat          |
| 94-4208    | 5        | 11       | 1    | Hourmeter            |

\*Not Illustrated

# Toro Part Number Index (cont.)

| Part No.   | Page No. | Ref. No. | Qty. | Description         |
|------------|----------|----------|------|---------------------|
| 94-6650    | 10       | 8        | 1    | Plate-Clutch        |
| 94-6652    | 11       | 20       | 1    | Brake ASM           |
| 94-6671    | 13       | 6        | 1    | ASM-8 Spd           |
| 94-6673-01 | 2        | 22       | 1    | Frame               |
| 94-6683    | 7        | 17       | 1    | Sleeve-Protective   |
| 94-6683    | 8        | 21       | 1    | Sleeve-Protective   |
| 94-6692-03 | 17       | 18       | 1    | Bracket-Support     |
| 94-6693-03 | 17       | 12       | 1    | Bracket-Support     |
| 94-6696-03 | 13       | 9        | 1    | Plate-Band          |
| 95-5143-01 | 19       | 9        | 1    | Case-Trans          |
| 95-7651    | 9        | 32       | 1    | Harness-Wire        |
| 95-7651    | 18       | 9        | 1    | Harness-Wire        |
| 95-7652    | 5        | 8        | 3    | Light-Indicator     |
| 95-7653    | 18       | 23       | 1    | Cable-10"lg         |
| 95-7654    | 16       | 1        | 1    | Cable-20.5"lg       |
| 95-7655    | 16       | 6        | 1    | Cable-15"lg         |
| 95-7655    | 18       | 28       | 1    | Cable-15"lg         |
| 95-7656    | 5        | 9        | 1    | Control-Choke       |
| 95-7657    | 5        | 17       | 1    | Control-Throttle    |
| 95-7662    | 12       | 1        | 1    | Muffler             |
| 95-7665-03 | 3        | 28       | 1    | Bracket-Fender      |
| 95-7666    | 3        | 42       | 1    | Bracket-Switch      |
| 95-7668    | 7        | 3        | 1    | Pulley-V            |
| 95-7669    | 3        | 43       | 1    | Switch-Reed         |
| 95-7670-03 | 3        | 13       | 1    | Console             |
| 95-7675-03 | 3        | 2        | 1    | Plate-Hoodstand     |
| 95-7676-03 | 3        | 20       | 1    | Hoodstand           |
| 95-7679    | 1        | 4        | 1    | Harness-Headlight   |
| 95-7681    | 12       | 10       | 1    | Engine-14 Hp        |
| 95-7683    | 13       | 30       | 1    | Clip ASM-Magnet     |
| 95-7684    | 13       | 2        | 1    | Rod ASM-Shift       |
| 95-7695-01 | 4        | 19       | 1    | Guard-Belt          |
| 98-0675    | 3        | 33       | 1    | Decal-Dash          |
| 98-0676    | 3        | 37       | 1    | Decal-Console       |
| 98-0750    | 1        | 26       | 1    | Decal-Danger        |
| 98-1447    | 4        | 18       | 1    | Decal-Certification |
| 98-1459    | 2        | 35       | 1    | Decal-Urethane      |
| 98-1473    | 2        | 21       | 1    | Wheel-Steering      |
| 98-1700    | 11       | 26       | 1    | Wire-Guide          |
| 98-1730-03 | 12       | 17       | 1    | Bracket-Engine Mntg |
| 98-1731-03 | 12       | 24       | 1    | Bracket-Engine Mntg |
| 98-1742-03 | 11       | 13       | 1    | Bracket-Engine      |
| 101711-01  | 15       | 25       | 1    | Plate-Hitch         |
| 101847-03  | 13       | 4        | 1    | Dipstick            |
| 102644-01  | 15       | 3        | 2    | Plate-Hitch         |
| 102870-01  | 15       | 2        | 1    | Bracket-Support     |
| 103478-01  | 10       | 7        | 1    | Housing-Clutch      |
| 103543-03  | 8        | 5        | 1    | Bellcrank-Brake     |
| 105763-03  | 13       | 28       | 2    | Hub-Wheel           |
| 105896-03  | 7        | 12       | 1    | Arm-Clutch          |
| 106250-03  | 3        | 27       | 1    | Cover-Dust          |
| 106258-03  | 6        | 23       | 1    | Sleeve              |
| 106345-03  | 6        | 25       | 1    | Casting-Lift Lever  |
| 106352-01  | 4        | 13       | 1    | Guard-Belt          |
| 106411-03  | 6        | 6        | 1    | Bracket-Lift Lever  |
| 106451-03  | 8        | 9        | 1    | Lever-Parking Brake |
| 108563-03  | 6        | 16       | 1    | Lever-Lift          |
| 109554-03  | 18       | 18       | 1    | Bracket-Guard       |
| 111200-01  | 19       | 6        | 1    | Case-Trans          |
| 111386-03  | 3        | 5        | 1    | Plate-Shift         |
| 113381-01  | 2        | 32       | 1    | Spindle-LH          |
| 113382-01  | 2        | 31       | 1    | Spindle-RH          |

\*Not Illustrated

# Toro Part Number Index (cont.)

| Part No.  | Page No. | Ref. No. | Qty. | Description    |
|-----------|----------|----------|------|----------------|
| 113445-03 | 6        | 31       | 1    | Bar-Lift       |
| 113935-01 | 4        | 6        | 1    | Cover-Side     |
| 117331-03 | 18       | 11       | 1    | Bracket-Holder |
| 120590-03 | 5        | 2        | 1    | Plate-Stop     |
| 1644-01   | 15       | 7        | 1    | Hitch ASM      |
| 237-69    | 2        | 20       | 1    | O-Ring         |
| 2412-98   | 17       | 21       | 2    | Clamp-Hose     |
| 281-2     | 20       | 12       | 1    | Plug-Pipe      |
| 281-10    | 20       | 13       | 1    | Plug-Pipe      |
| 288-4     | 12       | 23       | 1    | Cap-Pipe       |
| 289-45    | 12       | 22       | 1    | Nipple-Pipe    |
| 289-51    | 12       | 20       | 1    | Nipple-Pipe    |
| 2811-16   | 12       | 21       | 1    | Elbow-90 DEG   |
| 302-5     | 2        | 28       | 2    | Fitting-Grease |
| 302-5     | 7        | 21       | 1    | Fitting-Grease |
| 302-5     | 8        | 19       | 1    | Fitting-Grease |
| 302-11    | 2        | 7        | 2    | Fitting-Grease |
| 321-3     | 13       | 7        | 2    | Screw-HH       |
| 321-4     | 16       | 3        | 2    | Screw-HH       |
| 321-9     | 7        | 31       | 1    | Screw-HH       |
| 321-31    | 7        | 7        | 1    | Screw-HH       |
| 322-1     | 2        | 24       | 1    | Screw-HH       |
| 322-2     | 6        | 39       | 2    | Screw-HH       |
| 322-2     | 17       | 15       | 2    | Screw-HH       |
| 322-3     | 17       | 17       | 4    | Screw-HH       |
| 322-4     | 9        | 4        | 4    | Screw-HH       |
| 322-5     | 3        | 3        | 2    | Screw-HH       |
| 322-5     | 6        | 24       | 3    | Screw-HH       |
| 322-6     | 6        | 34       | 1    | Screw-HH       |
| 323-5     | 13       | 14       | 4    | Screw-HH       |
| 323-6     | 2        | 2        | 2    | Screw-HH       |
| 323-6     | 10       | 19       | 1    | Screw-HH       |
| 323-6     | 11       | 10       | 1    | Screw-HH       |
| 323-6     | 12       | 7        | 8    | Screw-HH       |
| 323-8     | 2        | 6        | 2    | Screw-HH       |
| 323-9     | 8        | 14       | 1    | Screw-HH       |
| 323-11    | 19       | 14       | 5    | Screw          |
| 323-16    | 19       | 10       | 1    | Screw-HH       |
| 323-44    | 15       | 1        | 6    | Screw-HH       |
| 324-5     | 11       | 16       | 1    | Screw-HH       |
| 324-7     | 11       | 27       | 2    | Screw-HH       |
| 3217-5    | 13       | 16       | 1    | Nut-Hex        |
| 3217-27   | 5        | 12:1     | 1    | Nut-HH         |
| 3218-1    | 11       | 23       | 2    | Nut-Hex Jam    |
| 3218-3    | 13       | 27       | 4    | Nut-HJ         |
| 3229-25   | 1        | 14       | 4    | Screw-CARR     |
| 3229-25   | 11       | 19       | 2    | Screw-CARR     |
| 3230-1    | 4        | 12       | 1    | Bolt-CARR      |
| 3231-25   | 15       | 26       | 3    | Screw-CARR     |
| 3234-33   | 3        | 40       | 2    | Screw-HFW      |
| 3234-33   | 18       | 24       | 6    | Screw-HFW      |
| 3235-22   | 17       | 10       | 2    | Screw-HH       |
| 3242-2    | 13       | 20       | 1    | Screw Set-SH   |
| 3243-5    | 13       | 26       | 4    | Screw-Set      |
| 3246-2    | 10       | 11       | 2    | Screw-HSH      |
| 3250-31   | 9        | 20       | 4    | Screw-Phcr     |
| 3253-3    | 11       | 22       | 2    | Washer-Lock    |
| 3253-3    | 13       | 8        | 2    | Washer-Lock    |
| 3253-4    | 2        | 25       | 1    | Washer-Lock    |
| 3253-4    | 12       | 3        | 1    | Washer-Lock    |
| 3253-4    | 17       | 14       | 2    | Washer-Lock    |
| 3253-6    | 11       | 15       | 3    | Washer-Lock    |

\*Not Illustrated

# Toro Part Number Index (cont.)

| Part No. | Page No. | Ref. No. | Qty. | Description    |
|----------|----------|----------|------|----------------|
| 3253-21  | 13       | 15       | 4    | Washer-Lock    |
| 3254-1   | 9        | 23       | 4    | Washer-Lock    |
| 3255-8   | 9        | 31       | 1    | Washer-Lock    |
| 3255-9   | 12       | 15       | 4    | Washer-Lock    |
| 3255-25  | 5        | 12:2     | 1    | Washer-Lock    |
| 3256-4   | 17       | 9        | 2    | Washer-Flat    |
| 3256-5   | 6        | 20       | 1    | Washer-Flat    |
| 3256-22  | 1        | 12       | 4    | Washer-Flat    |
| 3256-22  | 7        | 30       | 1    | Washer-Flat    |
| 3256-22  | 11       | 21       | 2    | Washer-Flat    |
| 3256-23  | 3        | 4        | 2    | Washer-Flat    |
| 3256-23  | 6        | 5        | 3    | Washer-Flat    |
| 3256-23  | 12       | 4        | 1    | Washer-Flat    |
| 3256-24  | 7        | 10       | 1    | Washer-Flat    |
| 3256-24  | 8        | 11       | 1    | Washer-Flat    |
| 3256-25  | 11       | 14       | 3    | Washer-Flat    |
| 3256-26  | 6        | 33       | 1    | Washer-Flat    |
| 3256-26  | 8        | 2        | 1    | Washer-Flat    |
| 3256-26  | 15       | 9        | 1    | Washer-Flat    |
| 3256-27  | 10       | 24       | 1    | Washer-Flat    |
| 3256-37  | 5        | 19       | 1    | Washer-Flat    |
| 3256-62  | 6        | 2        | 2    | Washer-Flat    |
| 3272-1   | 1        | 16       | 2    | Pin-Cotter     |
| 3272-6   | 7        | 9        | 1    | Pin-Cotter     |
| 3272-10  | 6        | 27       | 1    | Pin-Cotter     |
| 3272-10  | 7        | 15       | 1    | Pin-Cotter     |
| 3272-10  | 8        | 22       | 1    | Pin-Cotter     |
| 3272-10  | 11       | 5        | 3    | Pin-Cotter     |
| 3272-17  | 14       | 7        | 2    | Pin-Cotter     |
| 3272-19  | 2        | 11       | 1    | Pin-Cotter     |
| 3272-21  | 2        | 18       | 1    | Pin-Cotter     |
| 3272-36  | 13       | 31       | 1    | Pin-Cotter     |
| 3290-378 | 1        | 22       | 1    | Tie-Cable      |
| 3290-378 | 3        | 44       | 2    | Tie-Cable      |
| 3290-479 | 4        | 3        | 16   | Fastener-Panel |
| 3296-6   | 2        | 3        | 4    | Nut-Lock       |
| 3296-27  | 9        | 24       | 4    | Nut-Lock       |
| 3296-29  | 3        | 26       | 2    | Nut-Lock       |
| 3296-29  | 4        | 11       | 7    | Nut-Lock       |
| 3296-29  | 6        | 4        | 6    | Nut-Lock       |
| 3296-29  | 9        | 16       | 2    | Nut-Lock       |
| 3296-29  | 17       | 13       | 4    | Nut-Lock       |
| 3296-39  | 2        | 23       | 4    | Nut-Lock       |
| 3296-39  | 6        | 37       | 1    | Nut-Lock       |
| 3296-39  | 8        | 15       | 1    | Nut-Lock       |
| 3296-39  | 12       | 6        | 4    | Nut-Lock       |
| 3296-39  | 15       | 24       | 3    | Nut-Lock       |
| 3296-39  | 19       | 5        | 6    | Nut-Lock       |
| 3296-42  | 1        | 11       | 4    | Nut-Lock       |
| 3296-42  | 3        | 41       | 2    | Nut-Lock       |
| 3296-42  | 7        | 4        | 2    | Nut-Lock       |
| 3296-42  | 16       | 12       | 2    | Nut-Lock       |
| 3296-42  | 18       | 19       | 6    | Nut-Lock       |
| 3296-58  | 9        | 2        | 2    | Nut-Flange     |
| 3296-59  | 11       | 17       | 1    | Nut-Lock       |
| 32103-22 | 16       | 11       | 2    | Nut-Wing       |
| 32120-47 | 6        | 30       | 1    | Ring-Retaining |
| 32120-62 | 10       | 4        | 1    | Ring-Retaining |
| 32120-72 | 10       | 3        | 2    | Ring-Retaining |
| 32120-93 | 2        | 34       | 2    | Ring-Retaining |
| 32121-25 | 6        | 15       | 1    | Pin-Spring     |
| 32121-97 | 13       | 29       | 2    | Pin-Roll       |

\*Not Illustrated

# Toro Part Number Index (cont.)

| <b>Part No.</b> | <b>Page No.</b> | <b>Ref. No.</b> | <b>Qty.</b> | <b>Description</b> |
|-----------------|-----------------|-----------------|-------------|--------------------|
| 32121-103       | 6               | 14              | 1           | Pin-Spring         |
| 32121-111       | 2               | 15              | 1           | Pin-Spiral         |
| 32128-19        | 8               | 7               | 1           | Nut-HF             |
| 32128-40        | 10              | 17              | 1           | Nut-HFW            |
| 32136-5         | 2               | 10              | 1           | Nut-Hex Slot       |
| 32146-2         | 7               | 6               | 1           | Nut-Hex Lock       |
| 32149-2         | 18              | 27              | 2           | Nut-Hex Lock       |
| 32151-11        | 11              | 3               | 1           | Ring-Grip          |
| 32151-91        | 6               | 1               | 1           | Ring-Retaining     |
| 505-144         | 2               | 9               | A/R         | Oil-Engine         |
| 505-144         | 12              | 9               | 2           | Oil-Engine         |
| 505-145         | 13              | 9               | 4           | Lubricant-Gear     |
| 5638-01         | 2               | 27              | 1           | Axle-Front         |