



Reelmaster 5400D 2WD

Traction Unit

Model No. 03543-20000201 and Up

Parts Catalog

Ordering Replacement Parts

To order replacement parts, please supply: the part number, the quantity, and the description of each part desired.

Understanding Reference Numbers

Each identified part in an illustration has a reference number. The reference number for a part also appears in the parts list, along with other information about the part.

This catalog uses two special reference number formats, one to indicate parts in a service assembly and another to indicate the quantity of a given part in an illustration.

Service Assembly Reference Numbers

Parts in service assemblies have reference numbers in the form **a:b**. The **a** represents the reference number of the entire service assembly and the **b** represents a sequential number unique to each part within the service assembly.

For example, a wheel assembly might be identified by reference number **6**, the tire by **6:1**, the valve by **6:2**, and the wheel by **6:3**. When you order the assembly identified by reference number **6**, you receive all parts identified by reference numbers **6:1**, **6:2**, and **6:3**. However, you may also order any part individually.

Reference numbers of this type appear in illustrations and in part lists.

Reference Numbers Indicating Quantity

In an illustration, if a reference number indicates more than one part, the reference number has the form **nX y**. The **n** represents the quantity of the part, the **X** is the multiplication symbol, and the **y** represents the reference number.

For example, in an illustration, the reference number **2X 37** means that two of the parts identified by reference number **37** are indicated.

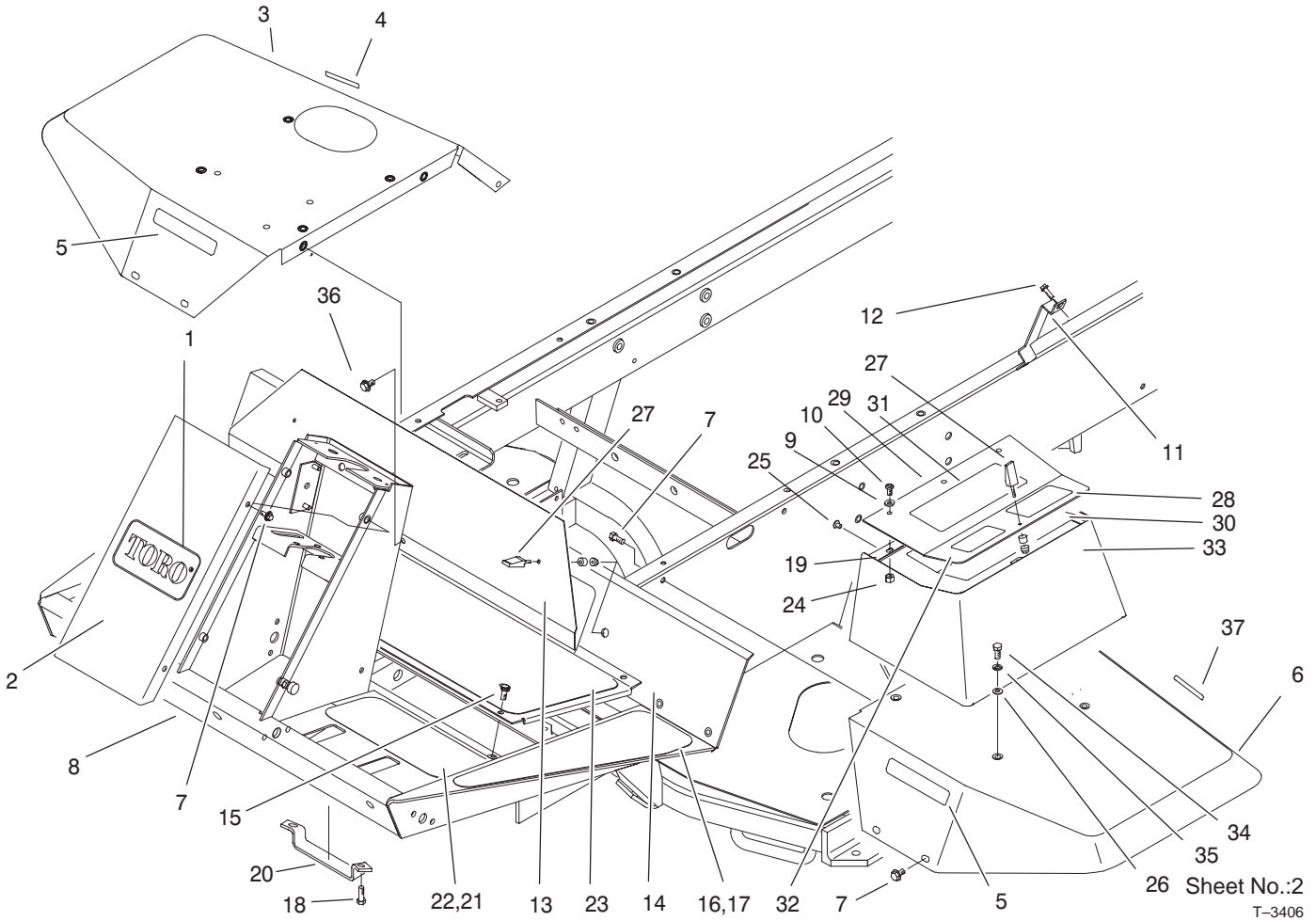
Contents

Description	Page	Description	Page
Frame And Body Assembly	4	Rear Lift Arm Assembly	45
Steering Tower Assembly	5	Rear Axle Support Assembly	46
Steering Valve Assembly No. 75-0600	6	Rear Axle Assembly No. 18-4029-03	47
Traction And Brake Pedal Assembly	7	Hydraulic Cylinder No. 75-1200	48
Seat Frame And Throttle Assembly	8	Axle Assembly No. 99-6981-03	49
Seat Assembly	9	Brake Assembly	51
Seat Suspension Assembly No. 75-3000	10	Hydraulic Schematic	52
Control Console Assembly	11	Electrical Schematic	53
Hydraulic Filter And Reservoir Assembly	13	Electrical Schematic – Turfdefender	54
Fuel Tank Assembly	15	Crankcase Assembly	56
Fuel Tank Assembly No. 99-8351	16	Oil Pan Assembly	57
Front Axle Assembly	17	Cylinder Head Assembly	58
Transmission Support And Transmission Assembly	18	Gear Case and Oil Filter Assembly	59
Transmission Assembly No. 75-0012	19	Filter, Oil Cooler & Pipe Assembly	60
Traction Control Assembly	21	Head Cover Assembly	61
Gear Pump Installation Assembly	22	Dipstick Assembly	62
Gear Pump No. 98-9796	23	Main Bearing Case Assembly	63
Engine Installation Assembly	24	Camshaft Assembly	64
Muffler And Pump Drive Assembly	25	Piston and Crankshaft Assembly	65
Engine Components Assembly	26	Flywheel Assembly	67
Air Cleaner Assembly No. 98-4517	27	Fuel Camshaft Assembly	68
Engine Fan And Clutch Installation Assembly .	29	Engine Stop Lever Assembly	69
Radiator Frame Assembly	30	Stop Solenoid and Fuel Pump Assembly	70
Oil Cooler Assembly	31	Injection Pump Assembly	71
Frame And Body Assembly	32	Injection Pump Assembly No. 98-9643	72
Hydraulic Control Block And Hoses Assembly .	33	Governor Assembly	73
Hydraulic Manifold Assembly No. 98-4579	34	Speed Control Plate Assembly	74
Front Hydraulic Manifold Assembly	35	Nozzle Holder and Glow Plug Assembly	75
Rear Hydraulic Manifold Assembly	36	Nozzle Holder Assembly 98-9468	76
Reel Motors Assembly	37	Alternator and Pulley Assembly	77
Reel Motor Assembly No. 93-1375	38	Alternator Assembly No. 98-9474	78
Carrier Frame Assembly	39	Starter Mount Assembly	79
Hydraulic Cylinder No. 93-9310	40	Starter Assembly No. 98-9705	80
Hydraulic Cylinder Assembly No. 99-6986	41	Water Flange and Thermostat Assembly	81
Front Lift Arms Assembly	42	Water Pump Assembly	82
Rear Lift Arm Installation Assembly	43	Valve and Rocker Arm Assembly	83
Hydraulic Cylinder No. 93-9311	44	Exhaust Manifold and Gasket Assembly	84
		Turbo Charger Assembly	85

Part Description Abbreviations

Part descriptions in this catalog may include the following abbreviations.

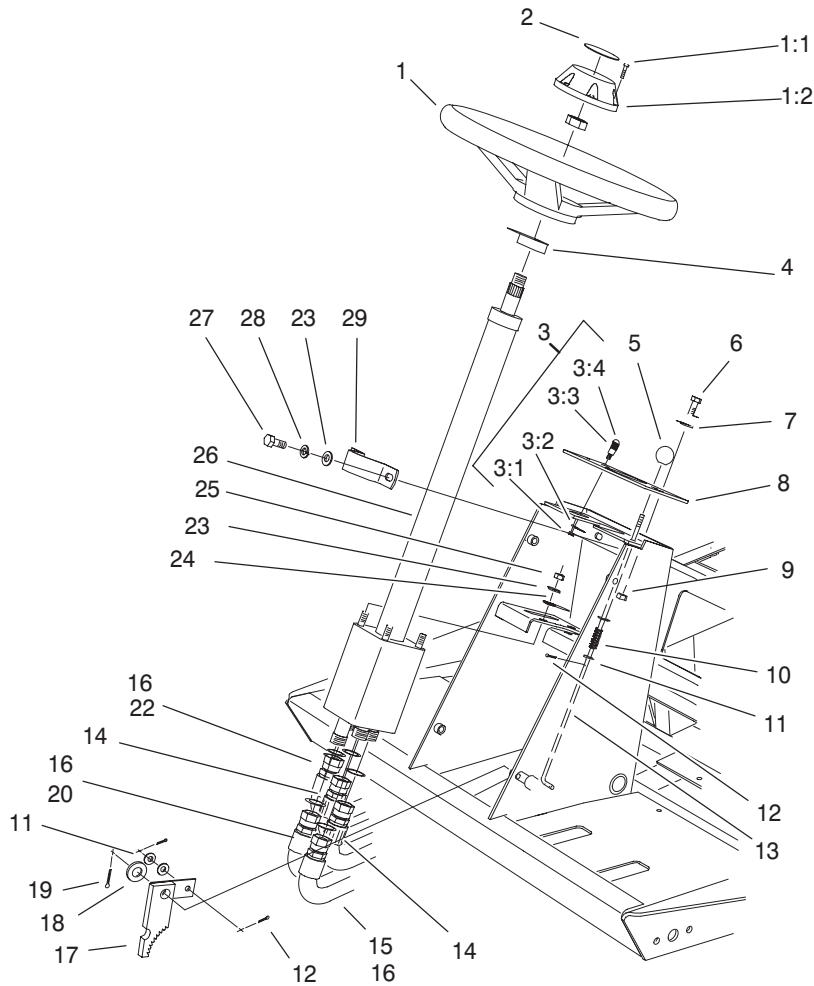
Abbreviation	Meaning	Abbreviation	Meaning
AR	as required	INC	incorporated
ASM	assembly	LH	left hand
CARR	carriage	NI	nylon insert
DEG	degrees	PPH	Phillips pan head
FH	flat head	PTH	Phillips truss head
GA	gauge	PTO	power take off
HF	hex flange	RH	right hand
HH	hex head	SFH	slotted fillister head
HHF	hex head flange	SHH	slotted hex head
HLH	hex lag head	SQH	square head
HJ	hex jam	SHWH	slotted hex washer head
HOC	height-of-cut	SPH	slotted pan head
HS	hex socket	SRH	slotted round head
HSBH	hex socket button head	STD	standard
HSFH	hex socket flat head	TAP	self tapping
HSH	hex socket head	TTH	Torx truss head
HWH	hex washer head	WH	wing head
HWHTF	hex washer head thread forming		



Frame And Body Assembly

Ref. No.	Part No.	Qty.	Description
1	62-5550	1	Decal
2	75-1420-01	1	Cover-Front, Tower
3	93-7579	1	Fender-RH
4	93-6686	1	Decal-Oil, Hydraulic
5	93-6689	2	Decal - No Riders
6	75-3860	1	Fender-LH
7	3234-14	14	Screw-HHF
8	100-3717	1	Frame ASM
9	3256-1	3	Washer-Flat
10	3258-166	3	Screw
11	98-4572	1	Bracket-Clamp, Hose
12	32144-14	2	Screw-HWH
13	75-1390-01	1	Cover-Access, Front
14	75-1410-01	1	Plate-Access, Floor
15	3234-7	1	Screw-HHF
15	75-6840	4	Knob - Knurled
16	75-0650	1	Tread-Footrest, LH
17	75-0640	1	Tread-Footrest, RH
18	322-4	2	Screw-HH
19	75-5780	1	Hinge-Steel
20	93-3626	1	Bracket - Hose
21	75-0620	1	Tread-Foot, LH
22	75-0610	1	Tread-Foot, RH
23	75-0630	1	Tread-Foot, Center
24	32128-33	3	Nut-HF
25	93-8744	3	Pop - Rivet

Ref. No.	Part No.	Qty.	Description
26	52-2900	4	Washer
27	74-5950	3	Latch-Swell
28	93-6698	1	Decal - Towing
29	75-6260-03	1	Cover-Box, Tool
30	95-0832	1	Decal - Service
31	93-8051	1	Decal-Slopes
32	88-6700	1	Decal - Ansi
33	75-5810-03	1	Box-Tool
34	322-3	4	Screw-HH
35	3256-3	4	Washer-Flat
36	3234-5	1	Screw-HHF
37	93-6680	1	Decal - Diesel Only



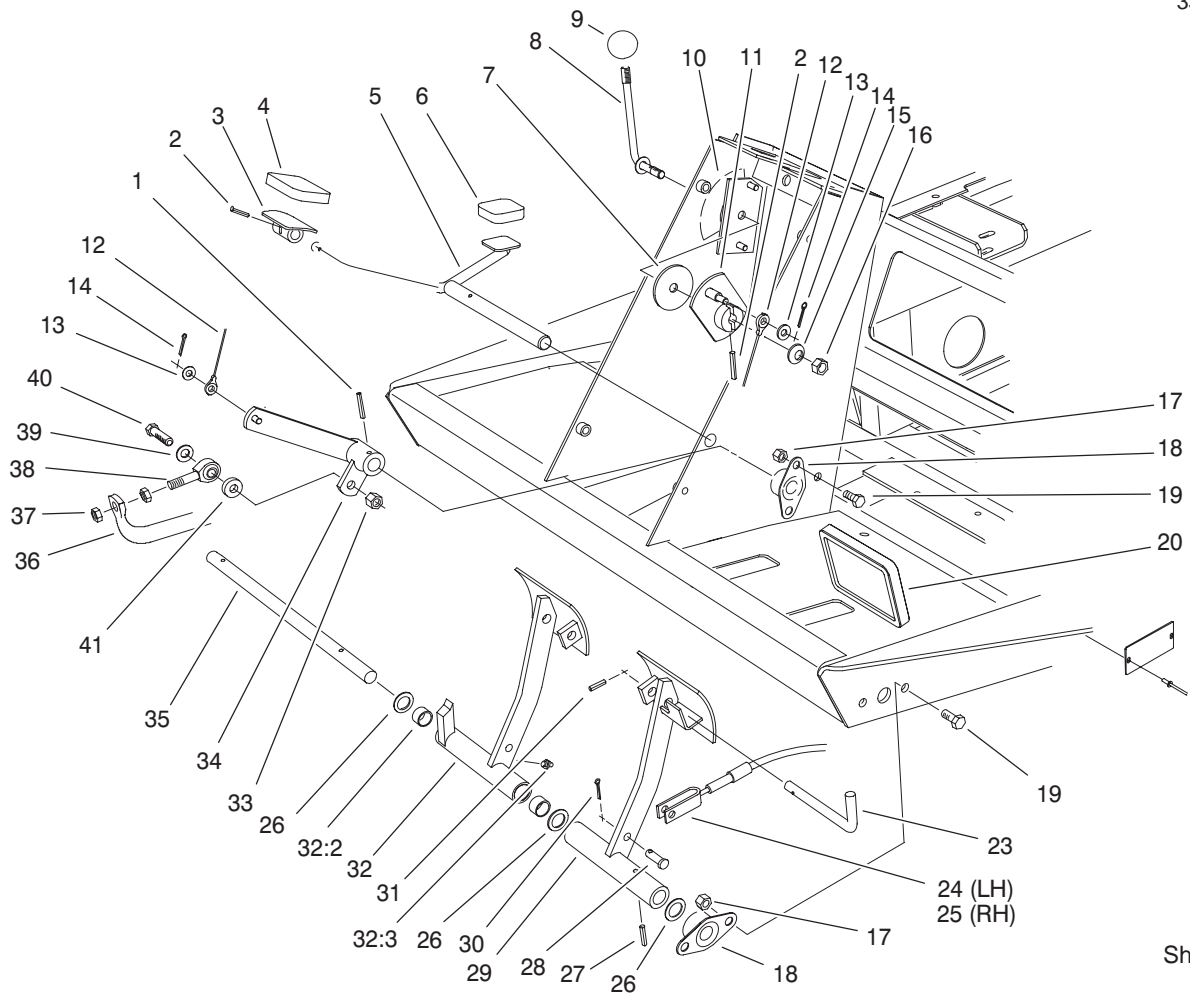
Sheet No.:3
T-3407

Steering Tower Assembly

Ref. No.	Part No.	Qty.	Description
1	75-0560	1	Wheel-Steering
1:1	32144-21	1	Screw
1:2	68-5140	1	Cap-Wheel, Steering
2	68-5370	1	Decal - Toro
3	44-2210	1	Light-Indicator, Red
3:1	218-535	1	Nut-Hex
3:2	218-536	1	Washer-Lock
3:3	93-7480	1	Led-Miniature Bayonet
3:4	218-533	1	Lens
4	21-9260	1	Cover-Dust
5	233-17	1	Knob
6	3258-166	2	Screw
7	3256-1	2	Washer-Flat
8	93-6682	1	Panel - Tower
9	3296-42	2	Nut-Lock
10	95-1821-03	1	Spring - Compression
11	3256-22	4	Washer-Flat
12	3272-5	3	Pin-Cotter
13	75-1490	1	Rod-Brake, Parking
14	75-6230	2	Hose
15	75-6240	1	Hose
16	3290-378	4	Tie-Cable
17	63-7900-03	1	Rack
18	3256-26	1	Washer-Flat
19	3272-10	1	Pin-Cotter

Ref. No.	Part No.	Qty.	Description
20	75-5940	1	Hose
22	75-6250	1	Hose
23	3256-23	6	Washer-Flat
24	3255-8	1	Washer-Lock/Ext
25	3296-20	4	Nut-Lock NI
26	75-0600	1	Unit-Steering, Power
27	32144-26	2	Screw-Flow, Penta
28	3253-4	2	Washer
29	75-2810	1	Bracket-Column, Steering
*99	3290-410	3	Push Mount Tie

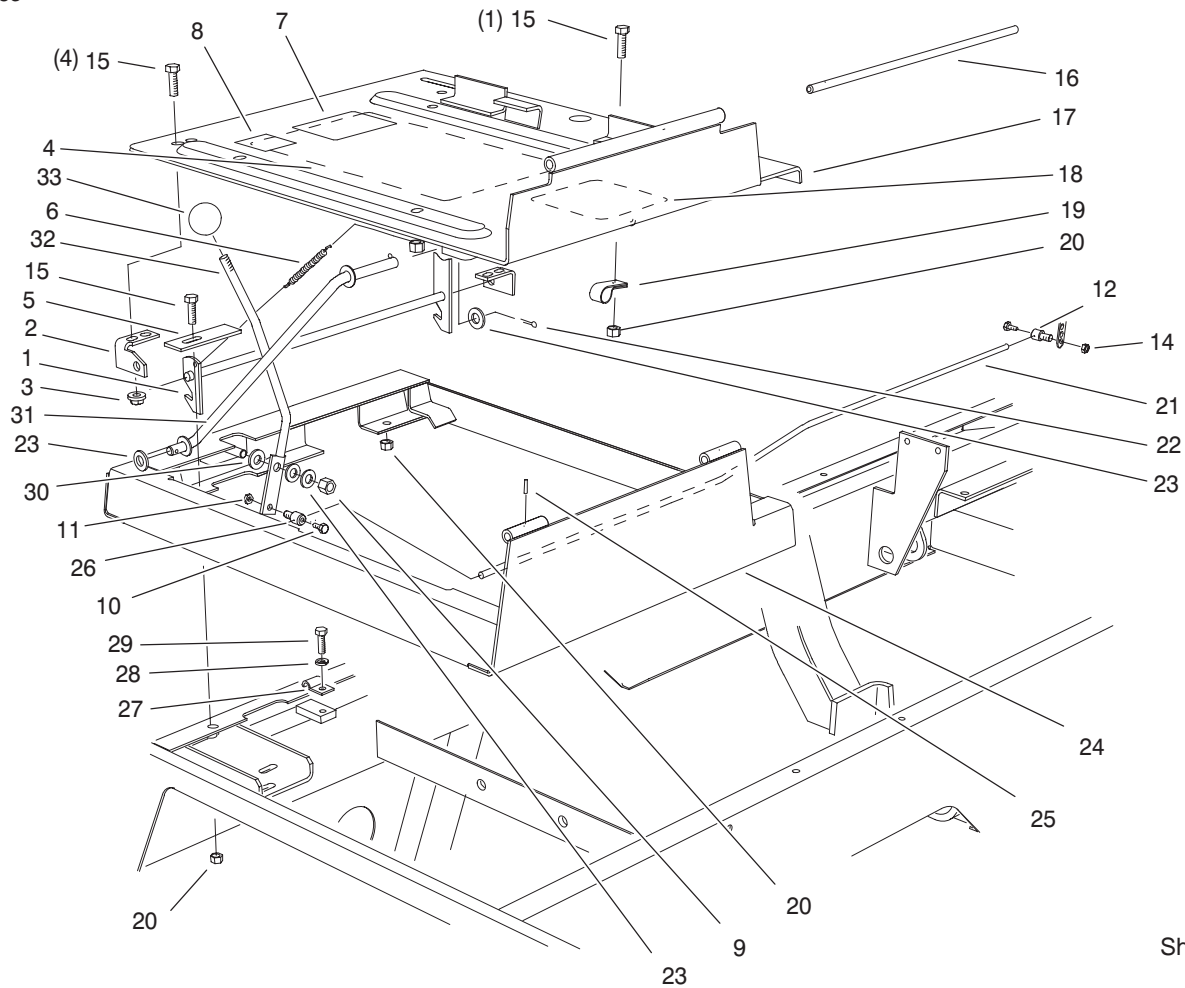
* Not illustrated



Sheet No.:4
T-3408

Traction And Brake Pedal Assembly

Ref. No.	Part No.	Qty.	Description	Ref. No.	Part No.	Qty.	Description
1	32121-6	1	Pin-Roll	28	283-58	4	Pin-Clevis
2	32121-45	2	Pin-Spring	29	75-1440-03	1	Pedal-Brake, LH
3	49-6440-03	1	Pedal-Forward	30	3272-10	4	Pin-Cotter
4	74-9100	1	Pad-Pedal, Forward	31	32121-50	1	Pin-Spring
5	75-2970	1	Pedal-Traction	32	75-1430	1	Pedal-Brake, RH
6	74-9110	1	Pad-Pedal, Reverse	32:2	256-42	2	Bushing
7	75-6550	1	Disc-Friction	32:3	302-5	1	Fitting-Lube
8	75-6490	1	Lever	33	3296-39	1	Nut-Lock, NI
9	233-42	1	Knob	34	75-3270-03	1	Hub-Pivot, Traction
10	93-6699	1	Decal - Fast/Slow	35	75-1470	1	Pin-Pivot, Brake
11	75-6510	1	Bracket-Lever	36	75-2170-03	1	Tube-Control, Pump
12	75-6580	1	Cable - Pedal	37	3220-3	2	Nut-Jam
13	3256-22	2	Washer-Flat	38	2411-36	1	Bearing-End, Rod
14	3272-2	2	Pin-Cotter	39	3256-24	1	Washer-Flat
15	3290-461	1	Washer-Spring	40	323-9	1	Screw-HH
16	3296-59	1	Nut-Lock, NI	41	5-0652	1	Spacer
17	3296-29	8	Nut-Lock, NI				
18	256-236	4	Bearing-Mount, Flange				
19	322-3	8	Screw-HH				
20	93-8742	2	Footpad - Brake				
23	63-7880	1	Pin-Latch, Brake				
24	63-7733	1	LH Brake Cable ASM				
25	63-7732	1	RH Brake Cable ASM				
26	3256-69	3	Washer-Flat				
27	32121-16	1	Pin-Spring				

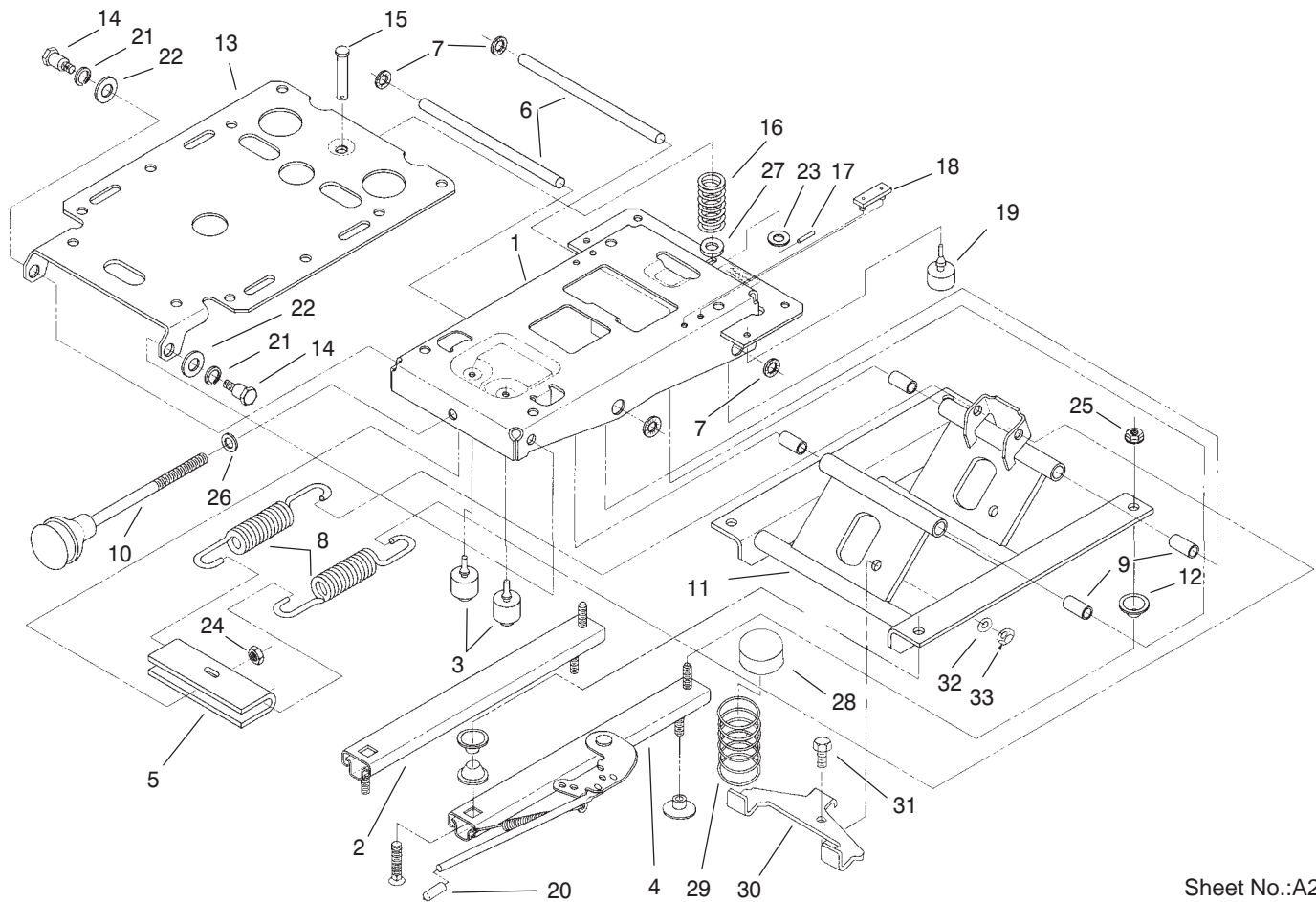


Sheet No.:5
T-3409

Seat Frame And Throttle Assembly

Ref. No.	Part No.	Qty.	Description
1	98-2354-03	1	Latch-Seat
2	98-2353	2	Bracket-Latch, Seat
3	32128-25	4	Nut-Flange
4	98-9342	1	Decal
5	98-9302	1	Plate-Stop, Idler
6	66-4190-03	1	Spring-Idler, Clutch
7	92-5524	1	Decal-Rating, Noise
8	63-9920	1	Decal-Level, Noise
9	3296-39	1	Nut-Lock, NI
10	25-8640	2	Screw-Machine, HH
11	3296-3	1	Nut-Lock NI
12	98-9311	1	Swivel - Throttle
14	3296-20	1	Nut-Lock NI
15	322-3	9	Screw-HH
16	75-3400	1	Shaft-Pivot, Seat
17	98-2350-03	1	Plate-Seat
18	93-8060	1	Decal - Reels
19	2412-93	1	R-Clamp
20	3296-29	6	Nut-Lock, NI
21	98-9303	1	Cable - Throttle
22	3272-10	2	Pin-Cotter
23	3256-24	3	Washer-Flat
24	98-2352-03	1	Frame-Seat
25	32121-38	1	Pin-Roll
26	93-0021	1	Swivel-Cable, Throttle
27	3-6657	1	Clip-Skid

Ref. No.	Part No.	Qty.	Description
28	3253-3	1	Washer-Lock/Sp
29	321-4	1	Screw-HH
30	66-2920	2	Washer-Friction, Throttle
31	75-3680-03	1	Rod-Seat
32	75-3430-03	1	Lever-Throttle
33	233-42	1	Knob



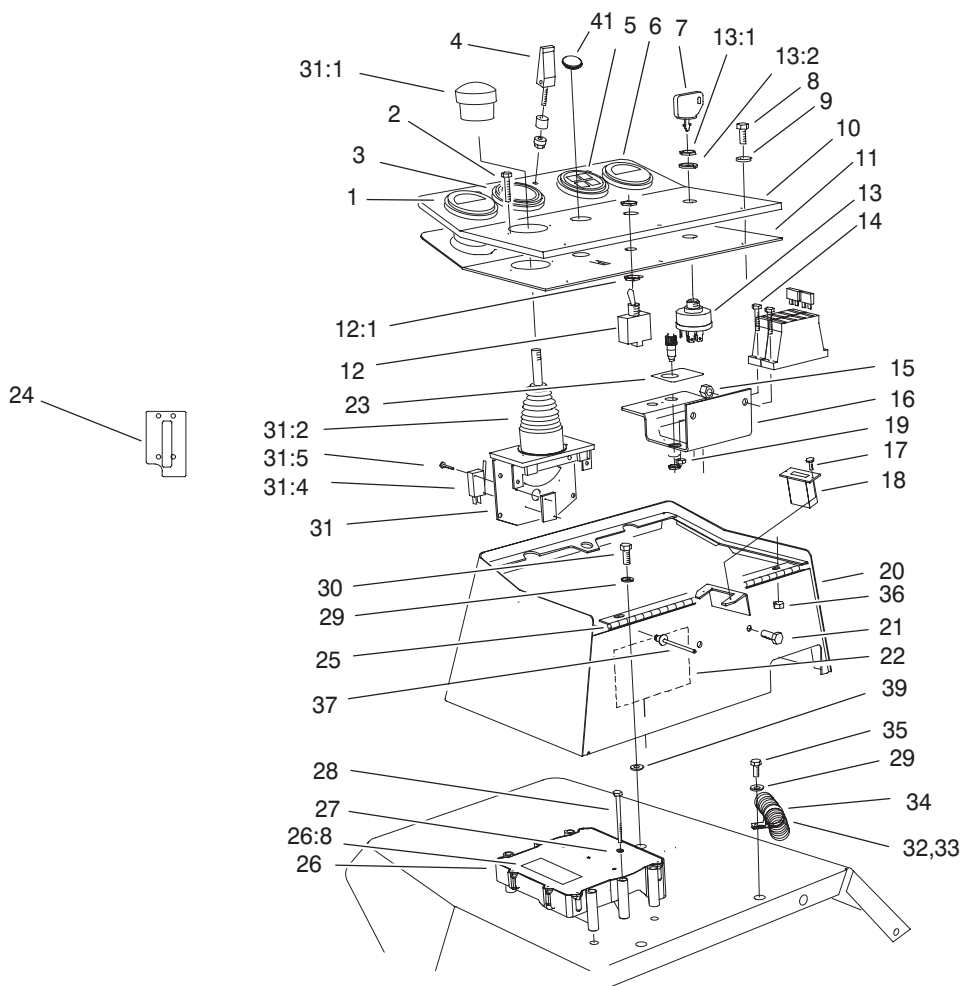
Sheet No.:A2

T-3437

Seat Suspension Assembly No. 75-3000

Ref. No.	Part No.	Qty.	Description
1	75-3480	1	Frame-Upper
2	66-8530	1	Adjuster
3	66-8520	2	Bumper-Downstop
4	82-9060	1	Adjuster w/Handle
5	77-2870	1	Hanger-Spring
6	76-1910	2	Shaft-Pivot
7	66-8560	4	Nut-Push
8	76-1940	2	Spring-Extension
9	76-1920	4	Bearing-Sleeve
10	76-1930	1	Knob-Adjuster, Tension
11	66-8610	1	Frame-Lower
12	66-9290	6	Spacer-Suspension
13	75-3580	1	Plate-Seat
14	75-3510	2	Bolt
15	80-4860	1	Pin - Clevis
16	75-3530	1	Spring
17	75-3540	1	Pin-Roll
18	75-3550	2	Bumper
19	76-2940	2	Bumper
20	75-3570	1	Tip
21	3253-6	2	Washer-Lock/Sp
22	3256-26	2	Washer-Flat
23	3256-24	1	Washer-Flat
24	3296-44	1	Nut-Lock NI
25	32128-26	4	Nut-Flange

Ref. No.	Part No.	Qty.	Description
26	3256-46	1	Washer-Flat
27	3256-5	1	Washer-Flat
28	93-3164	2	Cap
29	93-3163	2	Spring
30	93-3165	1	Bracket
31	322-6	1	Screw-HH
32	3253-33	1	Washer-Lock
33	3217-6	1	Nut-Hex



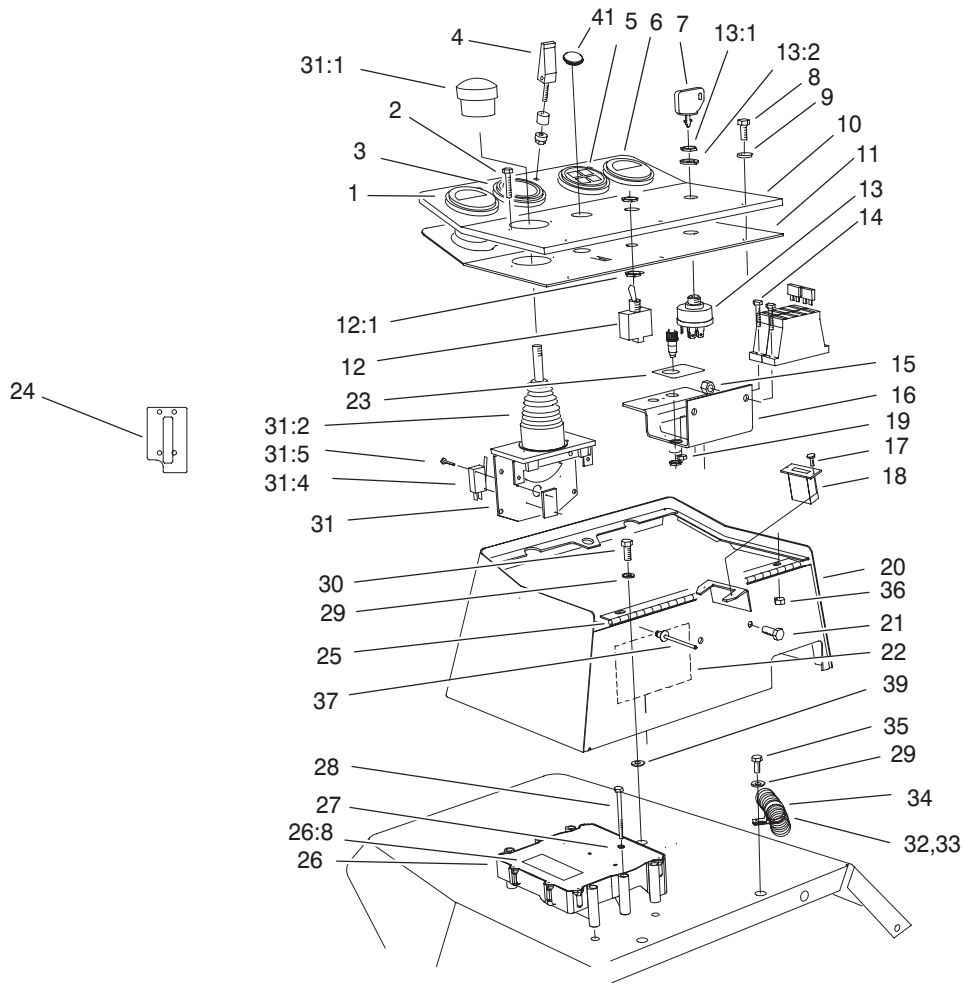
Sheet No.:7

Control Console Assembly

Ref. No.	Part No.	Qty.	Description
1	98-9339	1	Guage – Fuel
2	3273-26	2	Screw-HSH
3	85-4420	1	Speedometer
4	74-5950	1	Latch-Swell
5	98-9306	1	Light – Warning
6	98-9308	1	Gauge – Temperature
7	63-8360	1	Key-Ignition
8	3258-166	3	Screw
9	3256-1	3	Washer-Flat
10	99-8961	1	Panel-Control
11	75-6270-03	1	Cover-Box, Control
12	99-8352	1	Switch – Backlap
12:1	218-498	2	Locknut-Hex
*12:2	218-588	3	Screw
*12:3	218-589	1	Washer
*12:4	3253-19	3	Washer-Lock/Sp
13	27-2360	1	Switch-Key
13:1	218-446	1	Nut-Hex
13:2	218-447	1	Washer-Lock
14	32105-13	4	Screw-Shh
15	3296-42	4	Nut-Lock
16	93-7587	1	Bracket-Fuse Block/Panel
17	32144-18	2	Screw-HH
18	75-6820	1	Hourmeter
19	3296-2	4	Nut-Lock

Ref. No.	Part No.	Qty.	Description
20	75-5740-03	1	Box-Control
21	321-39	2	Screw-HH
22	94-6767	1	Decal – Fuses
23	98-9334	1	Decal – Controller
*24	100-3700	1	Decal-Diagnostic
25	75-5780	1	Hinge-Steel
26	92-5720	1	Controller-Electronic
26:8	93-8053	1	Decal
27	3253-3	2	Washer-Lock/Sp
28	321-15	2	Screw-HH
29	3256-3	3	Washer-Flat
30	322-3	2	Screw-HH
31	98-2195	1	Joystick
31:1	3290-489	1	Knob
31:2	3290-488	1	Boot
*31:3	3290-354	2	Nut-Speed
31:4	218-590	2	Switch
31:5	3290-93	4	Screw-Head, Pan
*31:6	93-3625	1	Spring – Return
32	99-8960	1	Harness-Wire, Main
33	94-6343	1	Decal-I.d., Wire
34	2412-126	1	R-Clamp
35	322-5	1	Screw-HH
36	32128-33	3	Nut-HF
37	93-8744	3	Pop – Rivet
39	52-2900	3	Washer

* Not illustrated

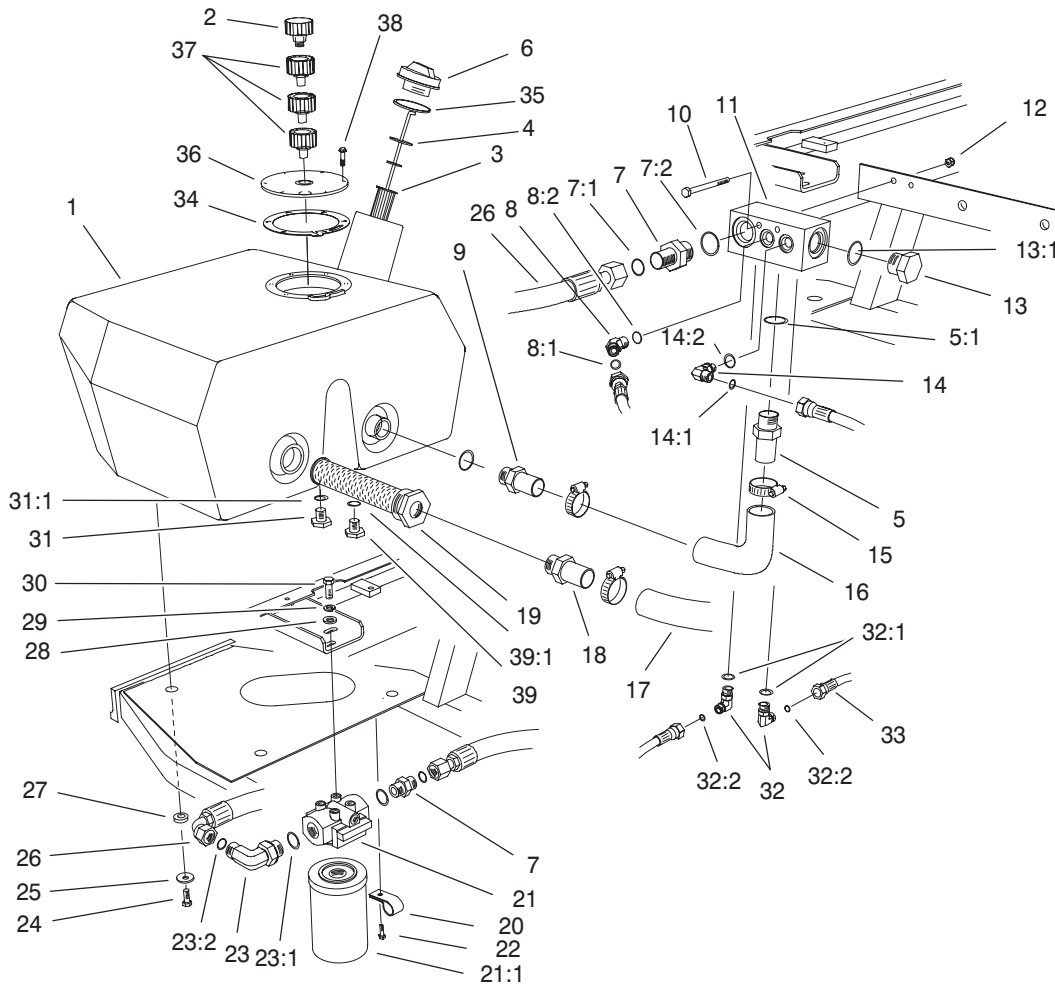


Sheet No.:7

Control Console Assembly (Continued)

Ref. No.	Part No.	Qty.	Description
*40	3290-378	3	Tie-Cable
41	99-1087	1	Plug-Hole, Dash

Ref. No.	Part No.	Qty.	Description

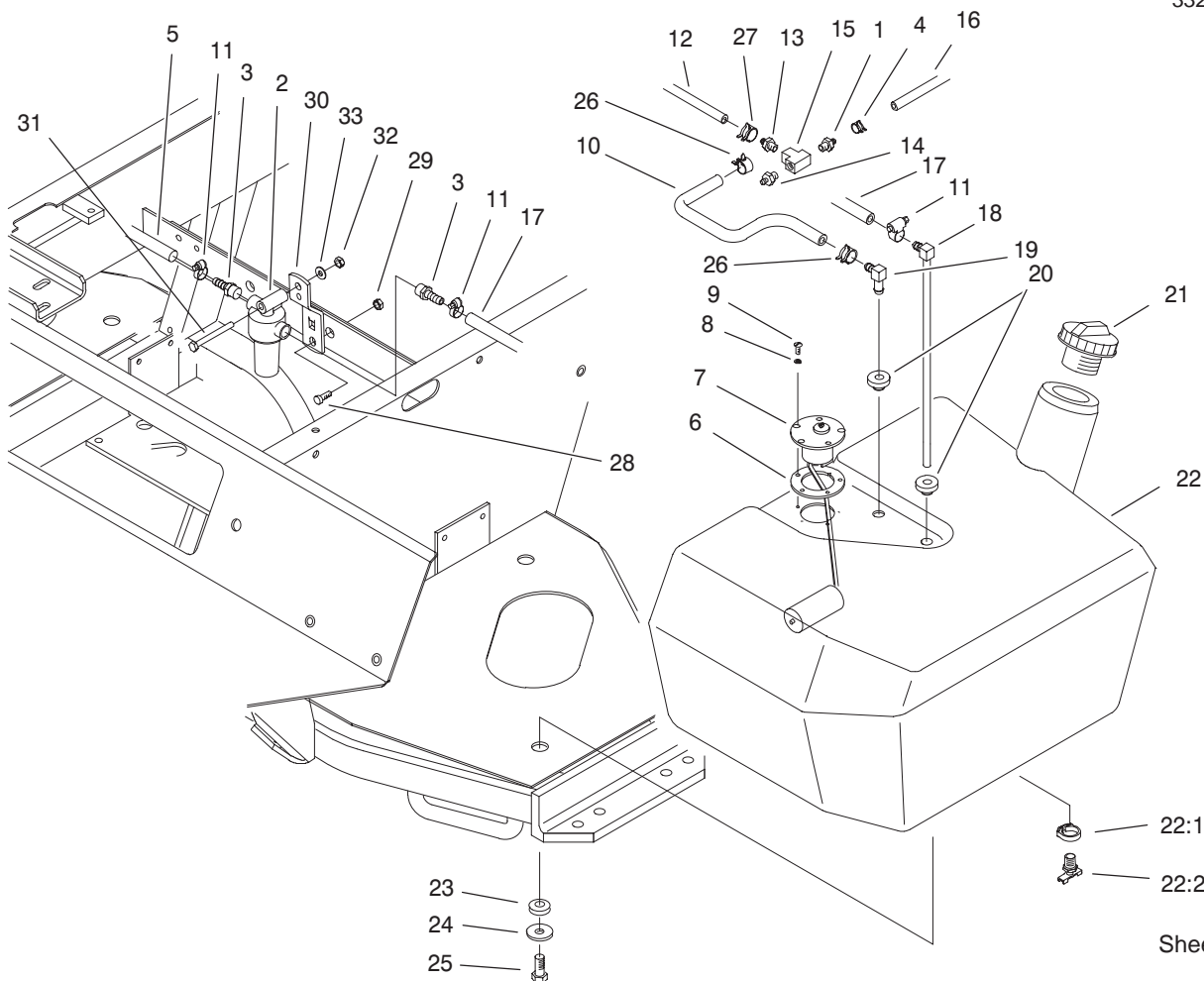


Sheet No.:8

Hydraulic Filter And Reservoir Assembly

Ref. No.	Part No.	Qty.	Description
1	104-0085	1	Tank – Oil
2	68-6150	1	Breather–Air
3	61-2790	1	Filter–Screen
4	94-9411	1	Dipstick
5	354-73	1	Fitting
5:1	237-81	1	O–Ring
6	93-7498	1	Plug–Plastic
7	340-8	2	Adapter
7:1	237-65	2	O–Ring
7:2	237-81	2	O–Ring
8	340-87	1	Fitting–45°
8:1	237-22	1	O–Ring
8:2	237-42	1	O–Ring
9	99-6932	1	Fitting–Barb, Hose
10	321-23	2	Screw–HH
11	92-9098	1	Manifold – Tank
12	3296-42	2	Nut–Lock
13	354-74	1	Fitting
13:1	237-81	1	O–Ring
14	340-77	1	Fitting–90°
14:1	237-22	1	O–Ring
14:2	237-42	1	O–Ring
15	2412-34	3	Clamp–Hose
16	75-5720	1	Hose – Return
17	75-6870	1	Hose–Inlet, Pump
18	353-682	1	Fitting–Hose

Ref. No.	Part No.	Qty.	Description
19	75-0550	1	Suction–Strainer
20	2412-93	2	R–Clamp
21	75-1300	1	Oil Filter ASM
21:1	75-1310	1	Filter Element
22	32144-10	2	Screw–HWH
23	340-139	1	Fitting–90°
23:1	237-81	1	O–Ring
23:2	237-65	1	O–Ring
24	33105-025	3	Screw–HHF
25	63-8410	3	Washer
26	75-6130	1	Hose
27	240-11	3	Grommet–Mount, Tank
28	3256-24	2	Washer–Flat
29	3253-21	2	Washer–Lock
30	323-4	2	Screw–HH
31	353-550	1	Plug–Hydraulic
31:1	237-79	1	O–Ring
32	340-82	2	Adapter
32:1	237-42	1	O–Ring
32:2	237-21	1	O–Ring
33	100-3739	1	Hose Assembly–Drain, Return
34	93-7499	1	Gasket
35	237-101	1	O–Ring
36	93-7588	1	Cover – Tank



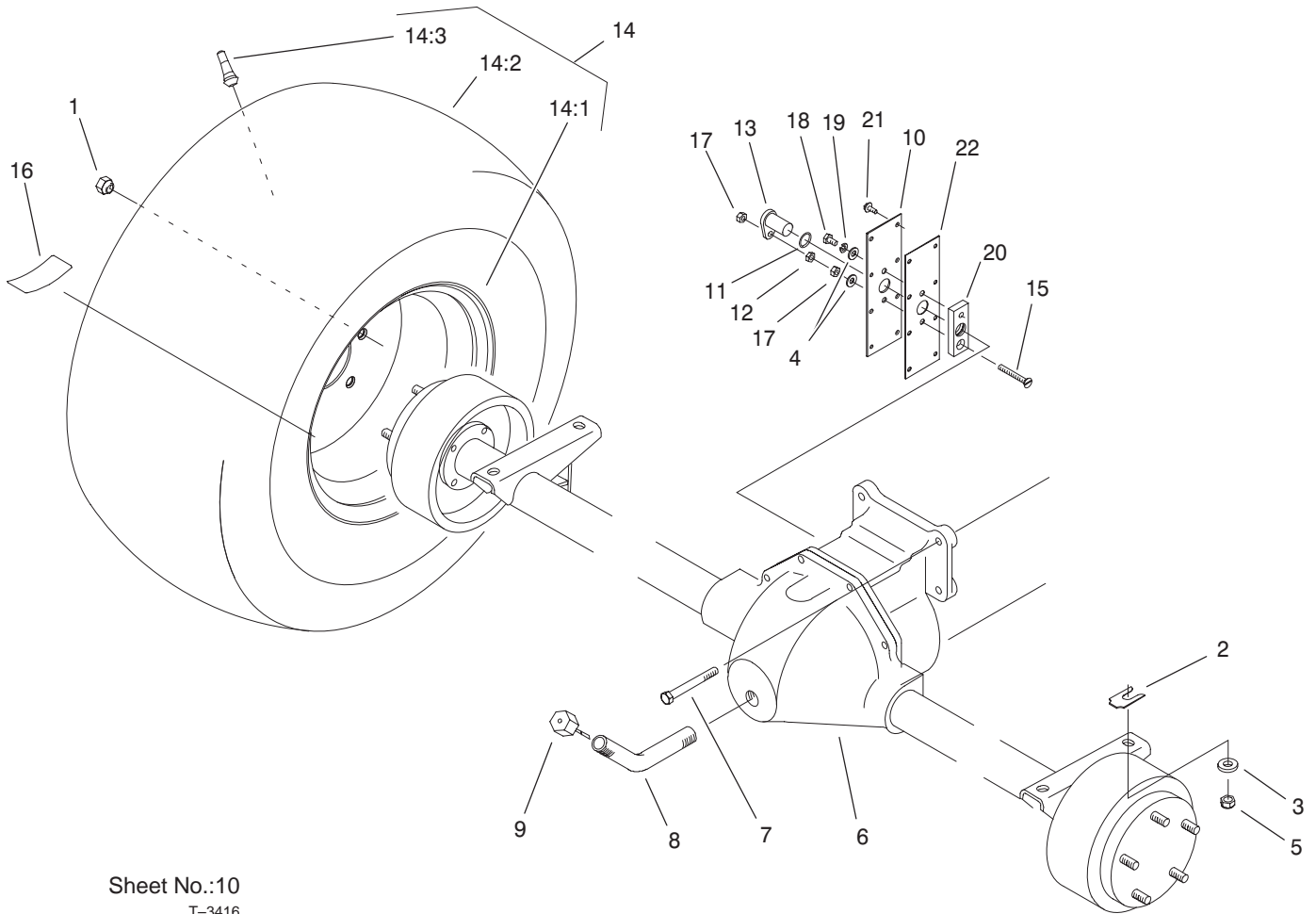
Sheet No.:9
T-3415

Fuel Tank Assembly

Ref. No.	Part No.	Qty.	Description
1	304-73	1	Connector-Hose
2	99-8351	1	Filter - Fuel, Inline
3	353-783	2	Fitting-Pump
4	2412-98	1	Clamp
5	63-7610	1	Hose-Fuel
6	62-7650	1	Gasket
7	63-7640	1	Sender-Fuel
8	3253-15	5	Washer-Lock/Sp
9	32122-24	5	Screw-PTH
10	93-2042	1	Hose - Fuel
11	2412-108	4	Clamp-Worm
12	75-4700	1	Hose-Fuel
13	354-22	1	Fitting-Barb
14	354-21	1	Fitting-Barb
15	354-20	1	Fitting-Tee
16	98-9338	1	Hose - Fuel
17	95-4276	1	Hose - Fuel
18	66-8121	1	Standpipe
19	46-6550	1	Elbow-Connector, 90 DEG
20	46-6560	2	Bushing
21	93-3102	1	Cap-Fuel
22	104-0084	1	Tank - Fuel
22:1	2412-36	1	Clamp-Hose
22:2	304-46	1	Draincock

Ref. No.	Part No.	Qty.	Description
23	240-11	3	Grommet-Mount, Tank
24	63-8410	3	Washer
25	33105-025	3	Screw-HHF
26	92-2379	2	Clamp-Hose
27	2412-146	2	Clamp-Hose
28	322-4	1	Screw-HH
29	3296-29	1	Nut-Lock, NI
30	98-9748	1	Bracket-Support, Filter
31	321-18	1	Screw-HH
32	3296-42	2	Nut-Lock
33	3256-22	1	Washer-Flat
*34	3290-378	1	Tie-Cable

* Not illustrated



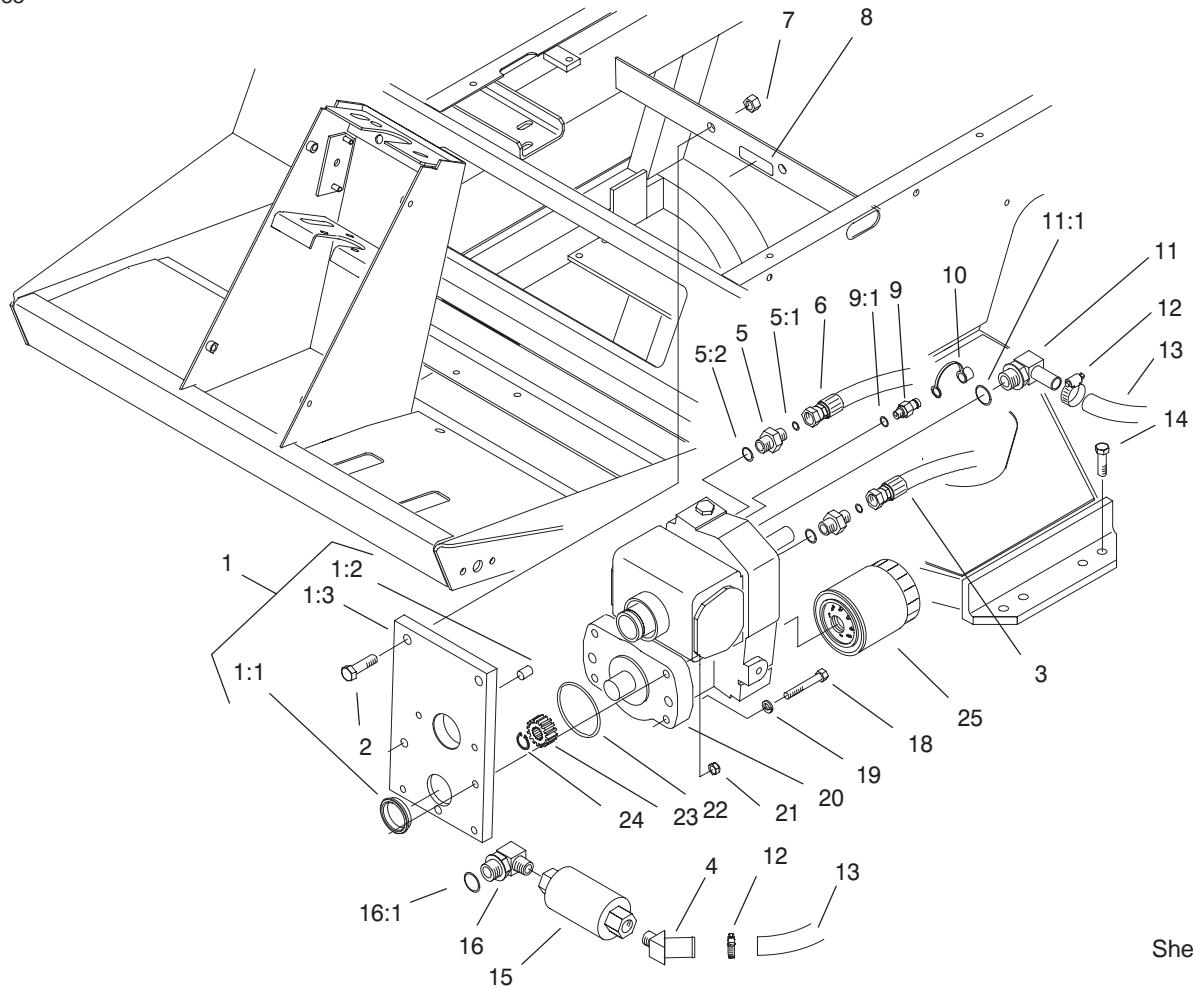
Sheet No.:10
T-3416

Front Axle Assembly

Ref. No.	Part No.	Qty.	Description
1	23-7270	10	Nut-Wheel
2	42-6080	5	Shim-Axle
3	66-6480	4	Washer
4	3256-22	2	Washer-Flat
5	3296-48	4	Nut-Lock NI
6	99-6981-03	1	Drive Axle
7	323-20	2	Screw-HH
8	75-6850	1	Tube-Fill, Oil
9	27-3710	1	Dipstick
10	85-4330	1	Cover-Gear
11	237-181	1	O-Ring
12	3218-1	1	Nut-Jam
13	85-4350	1	Sensor - Geartooth
14		2	Wheel And Tire ASM
14:1	99-6984	1	Wheel ASM
14:2	98-2373	1	Tire
14:3	232-27	1	Stem-Valve
15	32108-9	1	Screw-FH
16	76-8730	2	Decal-Torque, Wheel
17	3296-56	2	Nut-Lock, NI
18	321-2	1	Screw-HH
19	3253-3	1	Washer-Lock/Sp
20	85-4340	1	Plate-Sensor Mounting
21	32144-112	8	Screw-Forming, Thread

Ref. No.	Part No.	Qty.	Description
22	92-5797	1	Gasket - Axle
*23	3290-379	1	Tie-Cable

* Not illustrated

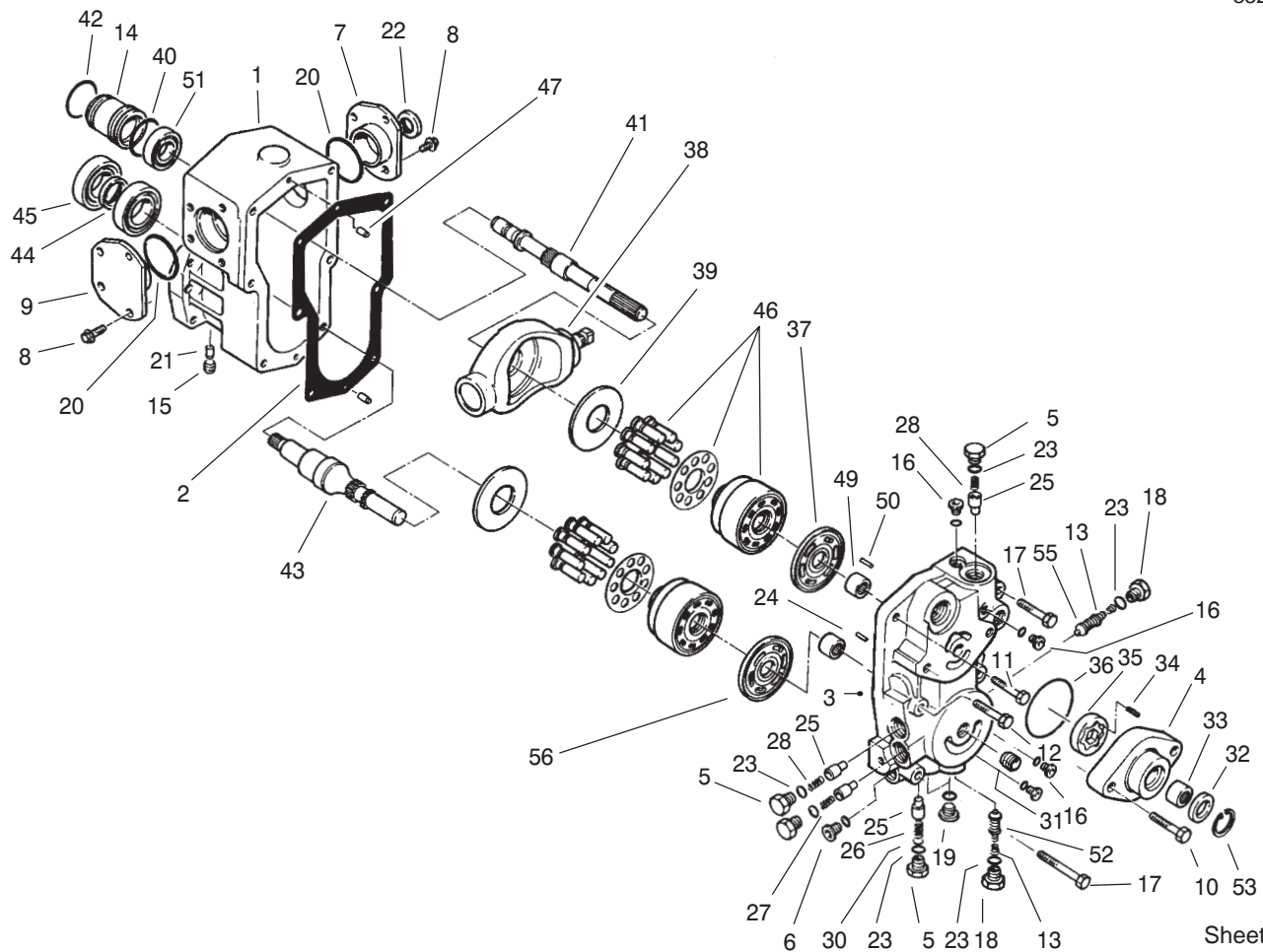


Sheet No.:11
T-3417

Transmission Support And Transmission Assembly

Ref. No.	Part No.	Qty.	Description
1	92-4846	1	Transmission Support ASM
1:1	75-3110	1	Transmission Collar
1:2	92-4808	1	Sleeve-Transmission
1:3	92-4809	1	Transmission Support
2	325-7	2	Screw-HH
3	93-0075	1	Hose ASM
4	354-72	1	Fitting
5	340-3	2	Adapter
5:1	237-22	1	O-Ring
5:2	237-79	1	O-Ring
6	93-0076	1	Hose ASM
7	3296-23	2	Nut-Lock, NI
8	93-6691	1	Decal-Bolt, Eccentric
9	354-77	1	Fitting-Quick
9:1	237-78	1	O-Ring
10	354-79	1	Cap - Fitting, Yellow
11	75-4720	1	Fitting-Line, Suction
11:1	237-81	1	O-Ring
12	2412-129	2	Clamp-Hose
13	75-6350	1	Hose
14	324-7	4	Screw-HH
15	75-6340-03	1	Filter
16	354-75	1	Fitting
16:1	237-81	1	O-Ring
18	323-12	2	Screw-HH

Ref. No.	Part No.	Qty.	Description
19	3253-21	2	Washer-Lock
20	75-0012	1	Transmission
21	3296-39	2	Nut-Lock, NI
22	237-161	1	O-Ring
23	86-7220	1	Gear-Pinion
24	32151-62	1	Ring-Retaining
25	75-1330	1	Element-Filter



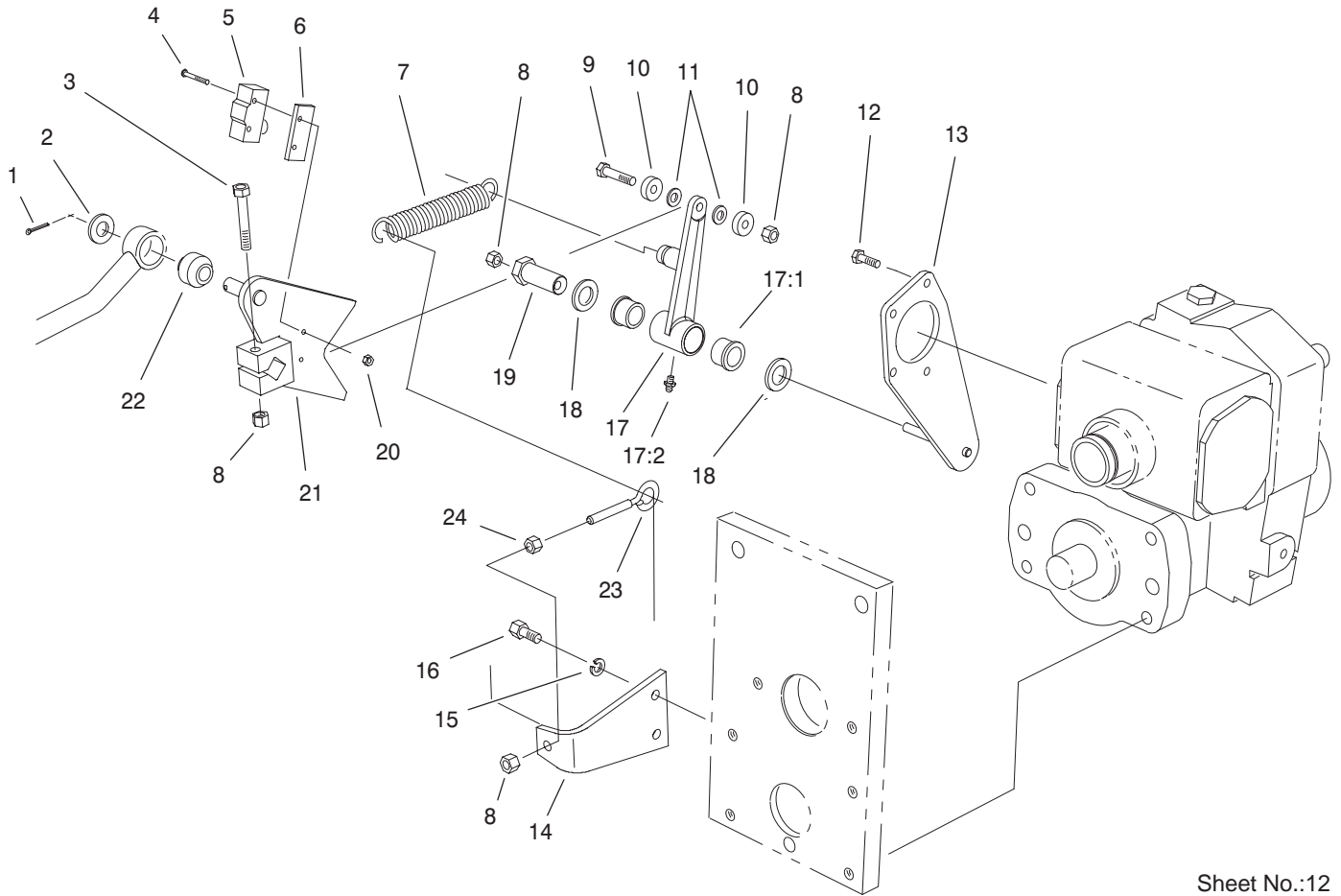
Sheet No.:A4

T-1006

Transmission Assembly No. 75-0012

Ref. No.	Part No.	Qty.	Description
1	75-0020	1	Housing
2	75-0030	1	Gasket-Housing
3	75-0040	1	Section-Center
4	83-4780	1	Housing-Pump, Charge
5	75-0060	4	Plug
6	75-0070	1	Plug
7	86-7520	1	RH Trunnion Cover ASM
8	75-0090	8	Capscrew-HH
9	86-7530	1	LH Trunnion Cover ASM
10	75-0110	2	Capscrew-HH
11	75-0120	1	Capscrew-HH
12	75-0130	3	Capscrew-HH
13	75-0140	1	Spring-Conical
14	75-0150	1	Guide-Seal
15	75-0160	1	Plug-Pipe
16	75-0170	4	Plug-Thread, Straight
17	75-0180	2	Capscrew-HH
18	75-0190	2	Plug-Special
19	75-0200	2	Plug-Thread, Straight
20	75-0210	2	O-Ring
21	75-0220	2	Pin
22	75-0230	1	Seal-Lip
23	75-0240	6	O-Ring

Ref. No.	Part No.	Qty.	Description
24	75-0250	1	Spring
25	75-0260	4	Valve - Relief
26	75-0270	1	Spring
27	75-0280	1	Spring
28	75-0290	2	Spring
30	75-0310	1	Shim
31	75-0320	1	Nipple
32	75-0330	1	Seal-Lip
33	75-0340	1	Bearing-Needle
34	75-0350	1	Pin
35	75-0360	1	Gerotor
36	75-0370	1	O-Ring
37	75-0380	1	Plate-Valve
38	75-0390	1	Plate-Swash
39	75-0400	2	Plate-Thrust
40	75-0410	1	O-Ring
41	86-7540	1	Shaft-Pump
42	75-0430	1	Ring-Retaining
43	75-0440	1	Shaft-Motor
44	75-0450	1	Collar
45	75-0460	2	Bearing-Ball
46	75-0470	2	Kit-Block, Cylinder
47	75-0480	2	Pin
49	75-0500	2	Bearing-Needle
50	75-0510	1	Pin
51	75-0520	1	Bearing-Ball

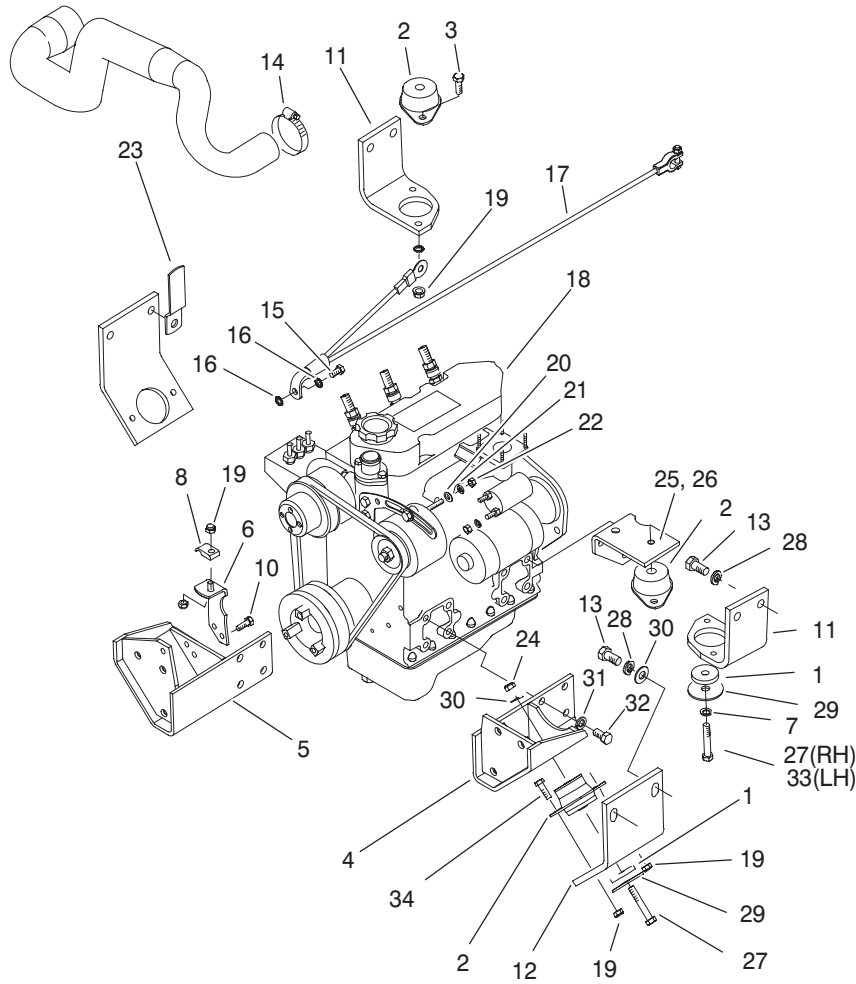


Sheet No.:12
T-3418

Traction Control Assembly

Ref. No.	Part No.	Qty.	Description
1	3272-10	1	Pin-Cotter
2	3256-26	1	Washer-Flat
3	322-10	1	Screw-HH
4	32105-21	2	Screw-HH
5	29-6162	1	Switch-Micro
6	75-4130	1	Plate-Switch
7	76-9430-03	1	Spring-Ext.
8	3296-29	4	Nut-Lock, NI
9	322-7	1	Screw-HH
10	251-307	2	Bearing-Ball
11	75-5470	2	Spacer-Bearing
12	32144-22	4	Screw
13	75-4080-03	1	Plate-Traction
14	85-9900-03	1	Plate-Anchor, Spring
15	3253-4	2	Washer
16	322-3	2	Screw-HH
17	92-2581	1	Neutral Switch Arm ASM
17:1	256-113	2	Bushing-Flange
17:2	302-5	1	Fitting-Lube
18	3-6498	2	Washer-Thrust
19	76-8640	1	Stud - Traction
20	3296-9	2	Nut-Lock NI
21	75-4100-03	1	Control-Pump
22	23-2270	1	Bushing-Rubber

Ref. No.	Part No.	Qty.	Description
23	85-9910	1	Eyebolt
24	3217-6	1	Nut-Hex

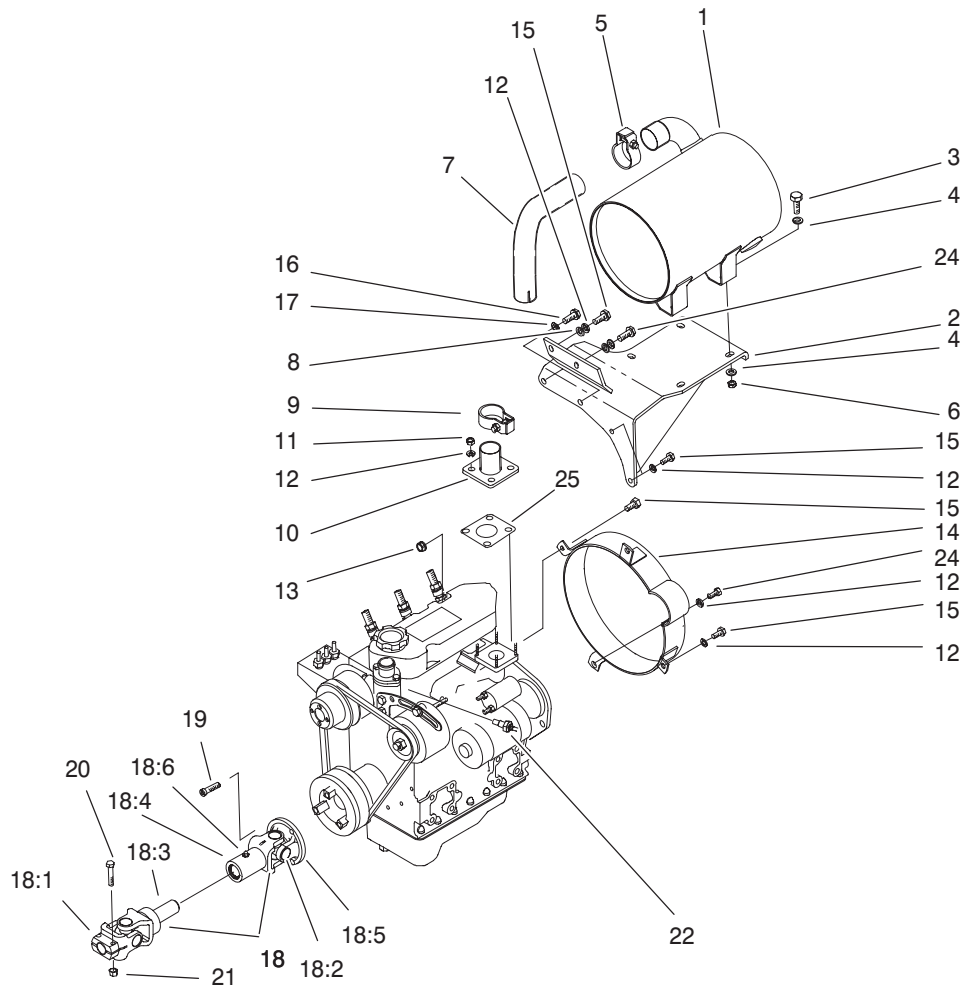


Sheet No.:14
T-3420

Engine Installation Assembly

Ref. No.	Part No.	Qty.	Description
1	83-1050	4	Spacer
2	83-1030	4	Mount-Engine
3	322-6	1	Screw-HH
4	98-4539-03	1	Bracket-Eng Mt, LH
5	98-4543-03	1	Bracket-Eng Mt, RH
6	98-9749	1	Plate - Throttle
7	3253-21	1	Washer-Lock
8	3-6657	1	Clip-Skid
10	322-4	2	Screw-HH
11	98-4513-03	2	Brkt - Engine, Rear
12	93-0095-03	2	Bracket-Engine, Front
13	3213-2	8	Screw-HH
14	2412-92	1	Clamp-Hose
15	98-9322	1	Bolt-HH, Metric
16	3255-9	2	Washer-Lock/Ext
17	98-4598	1	Cable-Battery, Negative
18	99-8981	1	Engine-Kubota, Turbo
19	3296-29	11	Nut-Lock, NI
20	3256-78	1	Washer-Flat
21	43-5930	1	Washer-Spring
22	48-7890	1	Nut
23	98-4594-01	1	Clamp - Retainer
24	32128-36	3	Nut-HF
25	98-4515-03	1	Bracket-Rear Engine, LH

Ref. No.	Part No.	Qty.	Description
26	98-4514-03	1	Bracket-Rear Engine, RH
27	323-12	3	Screw-HH
28	3253-7	8	Washer-Lock/Sp
29	87-5100	4	Washer - Snubbing
30	3256-40	4	Washer-Flat
31	43-0090	14	Bolt/Washer
32	42-9600	14	Lockwasher-Spring, Mid
33	323-10	1	Screw-HH
34	322-5	7	Screw-HH

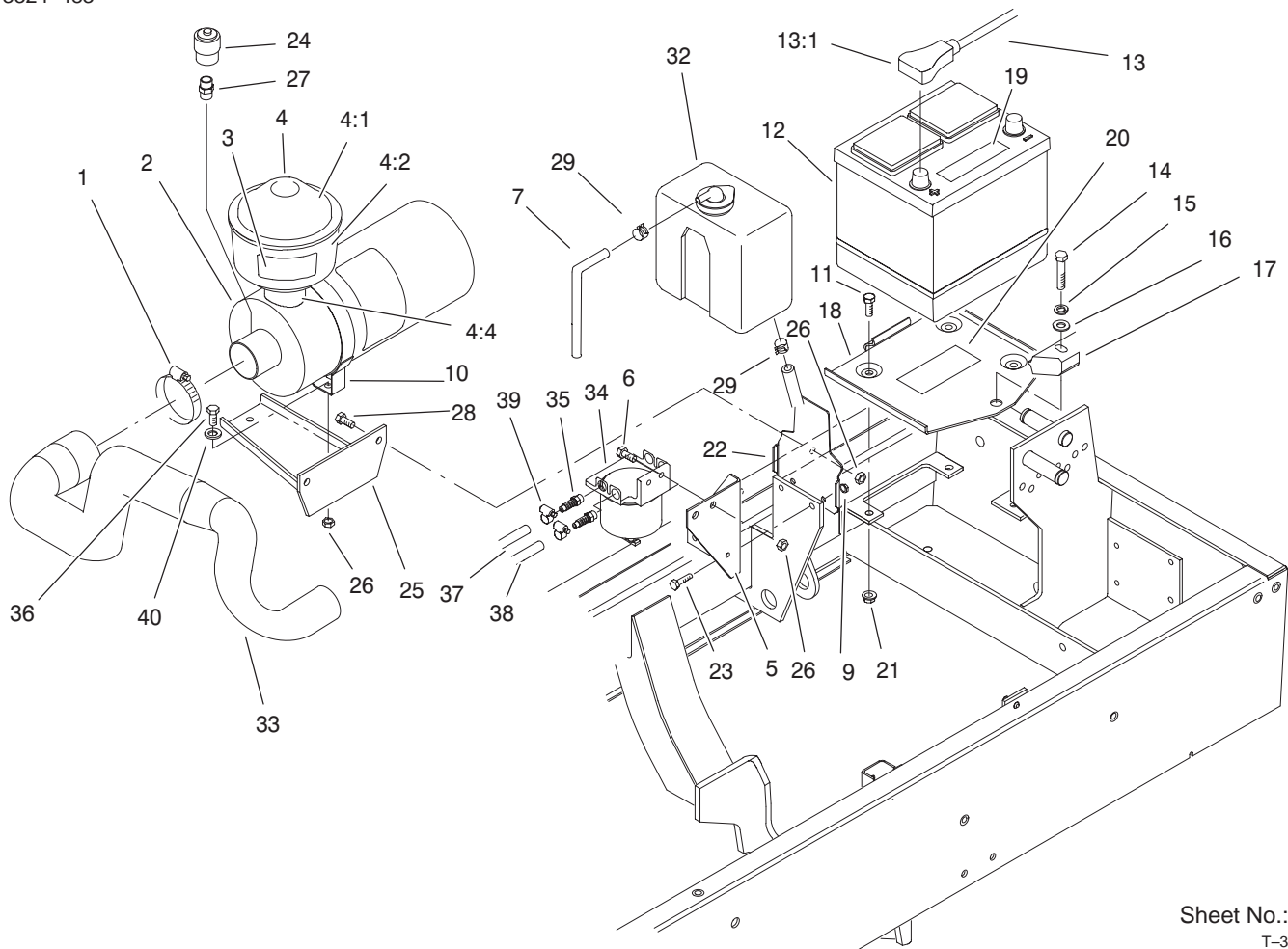


Sheet No.:15
T-3421

Muffler And Pump Drive Assembly

Ref. No.	Part No.	Qty.	Description
1	98-9794	1	Muffler – Exhaust
2	98-4555-03	1	Bracket–Muffler
3	323-7	4	Screw–HH
4	3256-4	8	Washer–Flat
5	98-9310	1	Clamp – Muffler
6	3296-39	4	Nut–Lock, NI
7	98-4524	1	Tube – Exhaust 31 HP
8	33094-00	2	Washer–Flat
9	98-9309	1	Clamp – Muffler
10	98-4527	1	Pipe–Exhaust, Engine
11	33014-00	4	Nut–Hex
12	42-9850	10	Washer–Lock, Spring
13	33024-00	1	Nut–Lock, NI
14	98-4564-03	1	Guard – Flywheel,
15	33114-025	5	Screw–HH
16	43-0090	2	Bolt/Washer
17	42-9600	2	Lockwasher–Spring, Mid
18	98-4593	1	Driveshaft ASM
18:1	98-9768	1	Yoke
18:2	98-9766	2	Kit – Universal Joint
18:3	98-9765	1	Yoke & Shaft
18:4	98-9767	1	Tube – Yoke Series 6
18:5	98-9769	1	Flange – Yoke Series 6

Ref. No.	Part No.	Qty.	Description
18:6	302-5	3	Fitting–Lube
19	98-9322	3	Bolt–HH, Metric
20	322-9	2	Screw–HH
21	3296-29	2	Nut–Lock, NI
22	98-9346	1	Sender – Temperature
24	33114-020	2	Screw–HH
25	98-9611	1	Gasket



Sheet No.:16

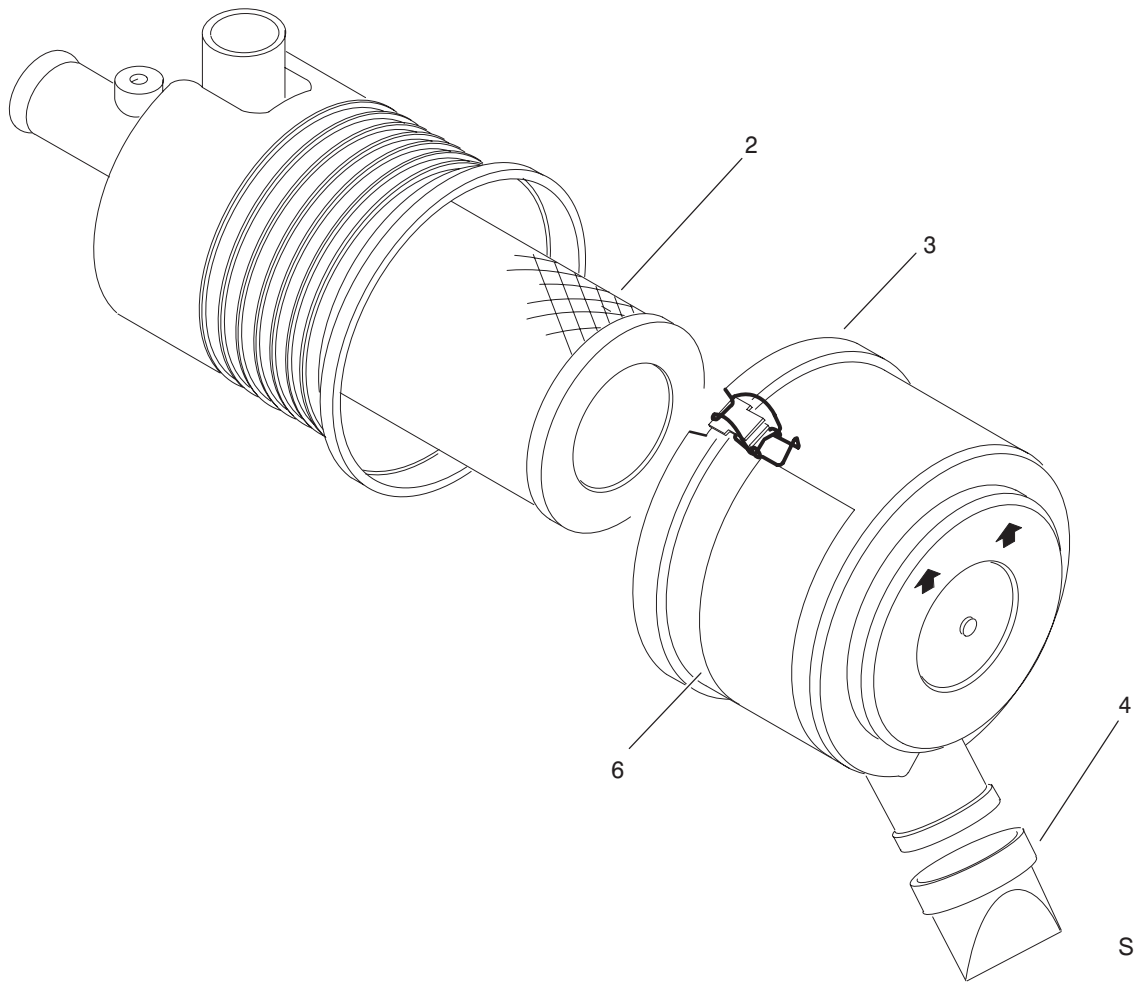
T-3422

Engine Components Assembly

Ref. No.	Part No.	Qty.	Description
1	2412-42	1	Clamp-Hose
2	98-4517	1	Air Cleaner ASM
3	93-6692	1	Decal-Fluid, Starting
4	48-7430	1	Precleaner
4:1	33-1260	1	Cover ASM
4:2	33-1270	1	Bowl-Clear
*4:3	62-6300	1	Sleeve ASM
4:4	94-6873	1	Clamp
5	98-4578-03	1	Bracket-Filter, Fuel
6	3234-29	2	Screw-HHF
7	63-7630	1	Hose
9	32128-33	2	Nut-HF
10	98-4525	1	Bracket-Cleaner, Air
11	322-4	3	Screw-HH
12	66-2750	1	Battery
13	98-4599	1	Cable - Battery Positive
13:1	28-1280	1	Battery Cable Boot
14	323-9	1	Screw-HH
15	3253-21	1	Washer-Lock
16	3256-24	1	Washer-Flat
17	66-2490	1	Retainer-Battery
18	94-7343	1	Base-Battery, ASM
19	93-6668	1	Decal - Battery
20	93-7276	1	Decal - Danger
21	32128-20	3	Nut-HF

Ref. No.	Part No.	Qty.	Description
22	98-4576-03	1	Bracket-Reservoir, Water
23	321-5	2	Screw-HH
24	93-9164	1	Indicator - Mini
25	98-4518-03	1	Bracket-Cleaner, Air
26	3296-29	8	Nut-Lock, NI
27	94-1416	1	Indicator Adapter ASM
28	322-5	2	Screw-HH
29	92-2379	2	Clamp-Hose
*30	3290-378	1	Tie-Cable
*31	3290-379	2	Tie-Cable
32	98-9323	1	Bottle-Overflow, Water
33	98-4509	1	Hose - Air Cleaner
34	98-9305	1	Filter-Water/Fuel
35	353-783	2	Fitting-Pump
36	322-6	2	Screw-HH
37	71-3381	1	Hose-Fuel
38	95-4275	1	Hose - Fuel
39	2412-108	4	Clamp-Worm
40	3256-23	2	Washer-Flat

* Not illustrated

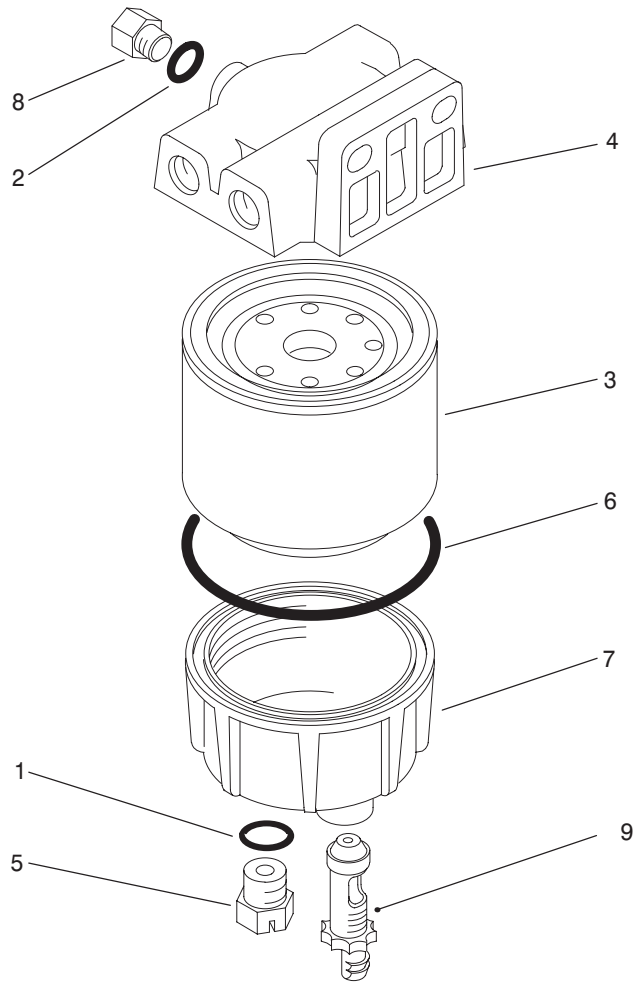


Sheet No.:B1
T-2903

Air Cleaner Assembly No. 98-4517

Ref. No.	Part No.	Qty.	Description
2	98-9763	1	Element ASM
3	98-9771	1	Cover ASM
4	94-1414	1	Valve - Vacuator
6	98-9788	1	Decal - Instruction

Ref. No.	Part No.	Qty.	Description

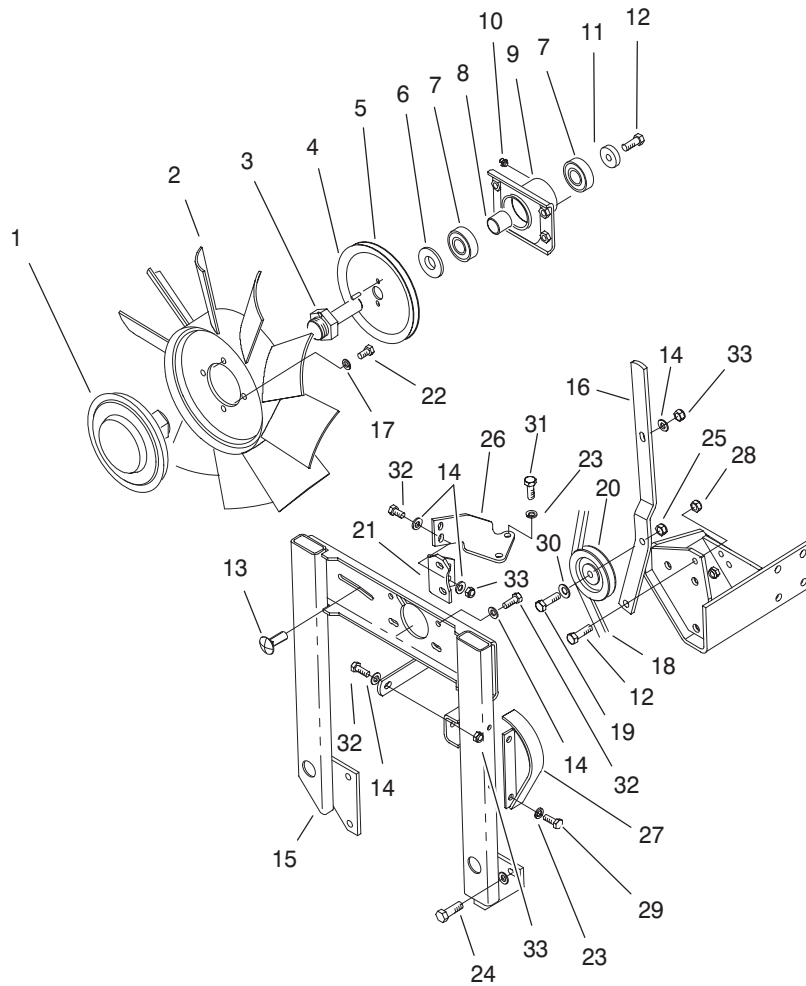


Sheet No.:B2
T-3330

Water/Fuel Separator Assembly No. 98-9305

Ref. No.	Part No.	Qty.	Description
1	98-9772	1	Head - Filter
2	98-9764	1	Element-On, Spin
3	98-9774	1	O-Ring-Base, Filter
4	98-9775	1	Base - Filter
5	98-9773	1	Plug - Base, Filter
6	237-42	1	O-Ring
7	237-78	1	O-Ring
8	98-9776	1	Plug-Filter, Head
9	98-9777	1	Drain Valve ASM

Ref. No.	Part No.	Qty.	Description

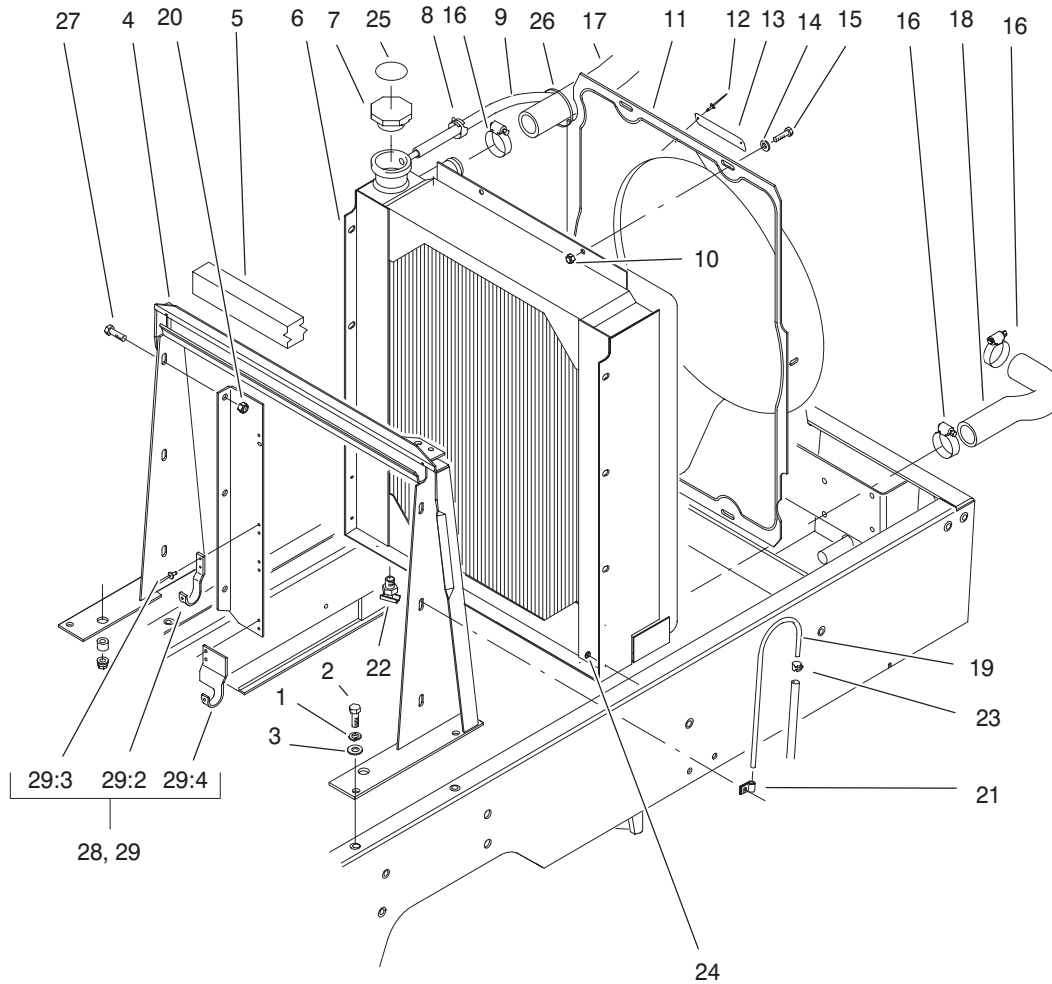


Sheet No.:17
T-3423

Engine Fan And Clutch Installation Assembly

Ref. No.	Part No.	Qty.	Description
1	74-5520	1	Clutch – Fan
2	75-3780	1	Fan-Engine
3	75-6380	1	Shaft – Fan
4	32121-2	2	Pin-Roll
5	98-9743	1	Pulley – Drive, Fan
6	47-0110	1	Spacer-Spindle
7	251-318	2	Bearing
8	75-5310	1	Spacer – Bearing
9	75-4450-03	1	Hub
10	302-2	1	Fitting-Grease
11	67-1630	1	Spacer
12	323-6	2	Screw-HH
13	3230-2	1	Screw-CARR
14	3256-23	9	Washer-Flat
15	98-4530-03	1	Support-Fan
16	98-4575-03	1	Lever-Idler, Fan
17	3253-4	4	Washer
18	98-9744	1	Belt – Fan
19	323-8	1	Screw-HH
20	63-8140	1	Pulley-Idler
21	98-9740	1	Bracket – Fan, Support
22	322-2	4	Screw-HH
23	42-9850	4	Washer-Lock, Spring
24	3234-29	6	Screw-HHF
25	3296-59	1	Nut-Lock, NI

Ref. No.	Part No.	Qty.	Description
26	98-9741	1	Bracket – Mount, Fan
27	98-4561-03	1	Shield-Alternator
28	3296-39	1	Nut-Lock, NI
29	32144-14	2	Screw-HWH
30	3256-24	1	Washer-Flat
31	33114-016	2	Screw-HH
32	322-4	7	Screw-HH
33	3296-29	4	Nut-Lock, NI



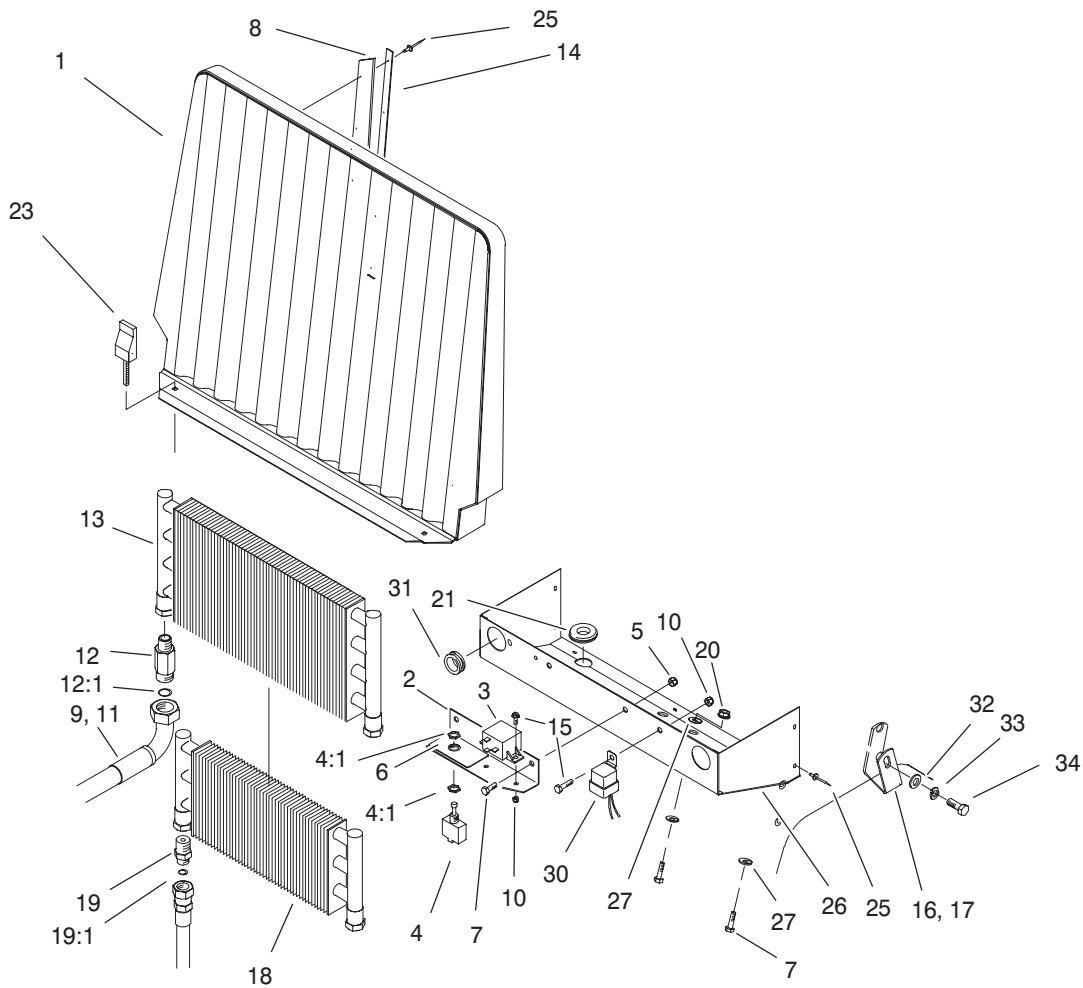
Sheet No.:18
T-3424

Radiator Frame Assembly

Ref. No.	Part No.	Qty.	Description
1	3253-4	4	Washer
2	322-5	4	Screw-HH
3	3256-23	4	Washer-Flat
4	98-9317-03	1	Support-Radiator
5	93-0005	1	Strip-Foam, Radiator Top
6	98-4507	1	Radiator
7	66-3240	1	Cap-Radiator
8	92-2379	1	Clamp-Hose
9	75-2851	1	Hose - Expansion Tank
10	3296-42	4	Nut-Lock
11	98-4571	1	Shroud - Fan
12	3290-271	2	Rivet-Pop
13	98-9335	1	Plate-Warning, Fan
14	3256-22	4	Washer-Flat
15	321-4	4	Screw-HH
16	2412-34	4	Clamp-Hose
17	98-4511	1	Hose-Radiator, Upper
18	98-4508	1	Hose - Rad., Lower
19	66-3180	1	Tube-Vent
20	32128-20	6	Nut-HF
21	2412-103	2	Clamp
22	304-46	1	Draincock
23	2412-98	1	Clamp
24	3269-10	5	Washer-Back

Ref. No.	Part No.	Qty.	Description
25	93-7840	1	Decal-Cap, Radiator
26	3290-379	1	Tie-Cable
27	3234-5	6	Screw-HHF
28	93-0071	1	LH Cooler Mount ASM
*28:2	75-0930	2	Hook - Cooler Mount
*28:3	3269-15	8	Rivet
*28:4	93-0089	2	Bracket - Cooler Mount,LH
29	93-0030	1	RH Cooler Mount ASM
29:2	75-0930	2	Hook - Cooler Mount
29:3	3269-15	8	Rivet
29:4	93-0090	2	Bracket - Cooler Mount,RH

* Not illustrated



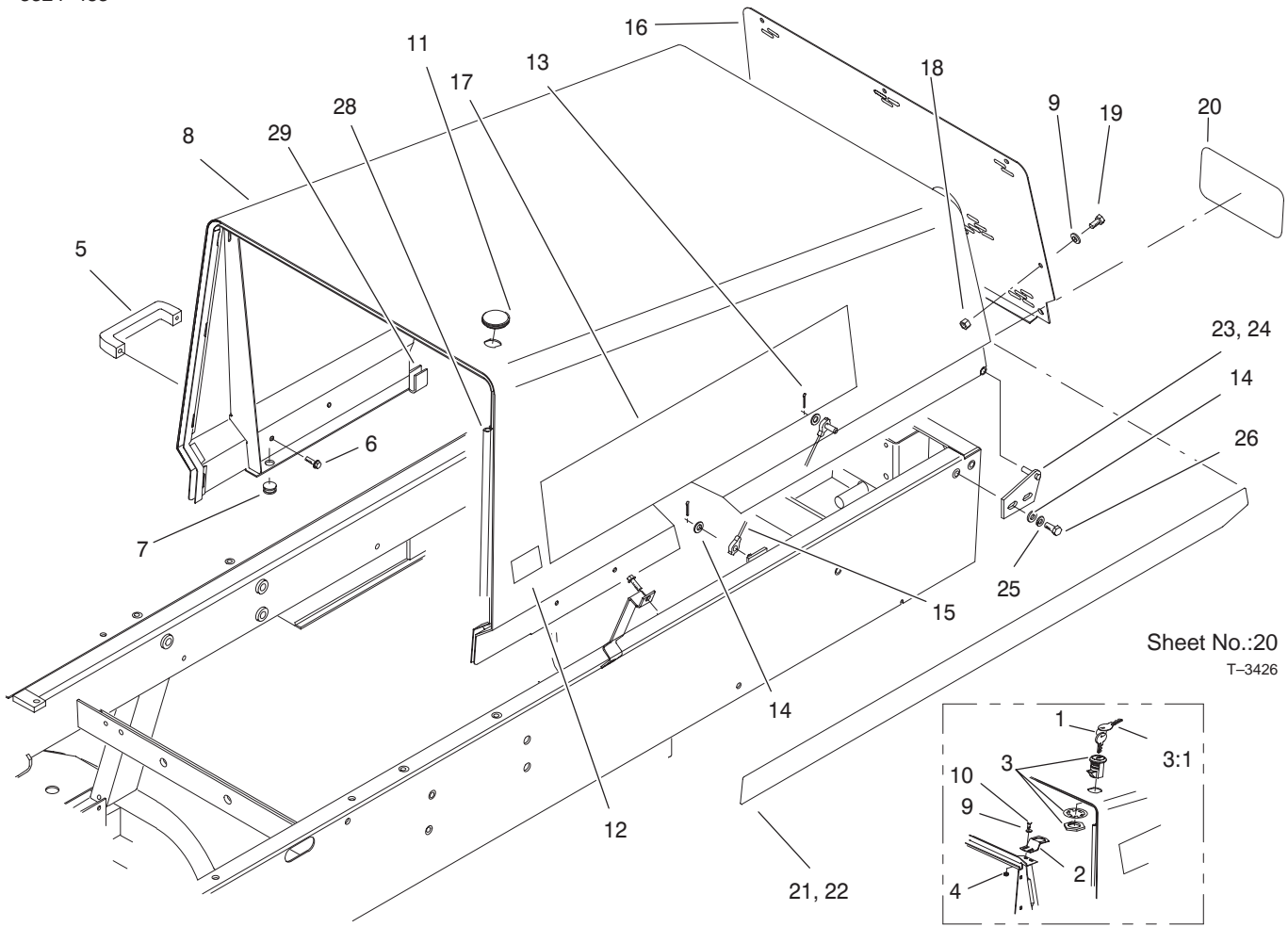
Sheet No.: 19
T-3425

Oil Cooler Assembly

Ref. No.	Part No.	Qty.	Description
1	93-0032-03	1	Housing-Screen, Front
2	75-3390-03	1	Bracket-Backlap
3	66-8800	1	Relay
4	99-8352	1	Switch - Backlap
4:1	218-498	2	Locknut-Hex
*4:2	218-588	3	Screw
*4:3	218-589	1	Washer
*4:4	3253-19	3	Washer-Lock/Sp
5	3296-29	2	Nut-Lock, NI
6	93-6684	1	Decal - Backlap
7	322-2	4	Screw-HH
8	93-3623	2	Strip-Sealing, Radiator
9	93-0077	1	Hose ASM
10	3296-42	3	Nut-Lock
11	93-0078	1	Hose ASM
12	92-4999	2	Fitting
12:1	237-65	1	O-Ring
13	75-1040	1	Cooler-Oil
14	93-3624-03	2	Plate- Retaining
15	321-4	3	Screw-HH
16	98-4591	1	Clamp - Hose, LH
17	98-4592	1	Clamp - Hose, RH
18	24-0760	1	Cooler ASM
19	340-124	2	Adapter

Ref. No.	Part No.	Qty.	Description
19:1	237-22	1	O-Ring
20	32128-20	2	Nut-HF
21	100-3815	2	Grommet-Rubber
23	93-1374	2	Latch - Swell
25	3269-13	15	Rivet-Pop
26	93-0025-03	1	Shield-Radiator
27	3256-2	4	Washer-Flat
30	63-7590	1	Relay
31	240-3	2	Grommet-Rubber
32	3256-26	2	Washer-Flat
33	3253-7	2	Washer-Lock/Sp
34	325-5	2	Screw-HH

* Not illustrated

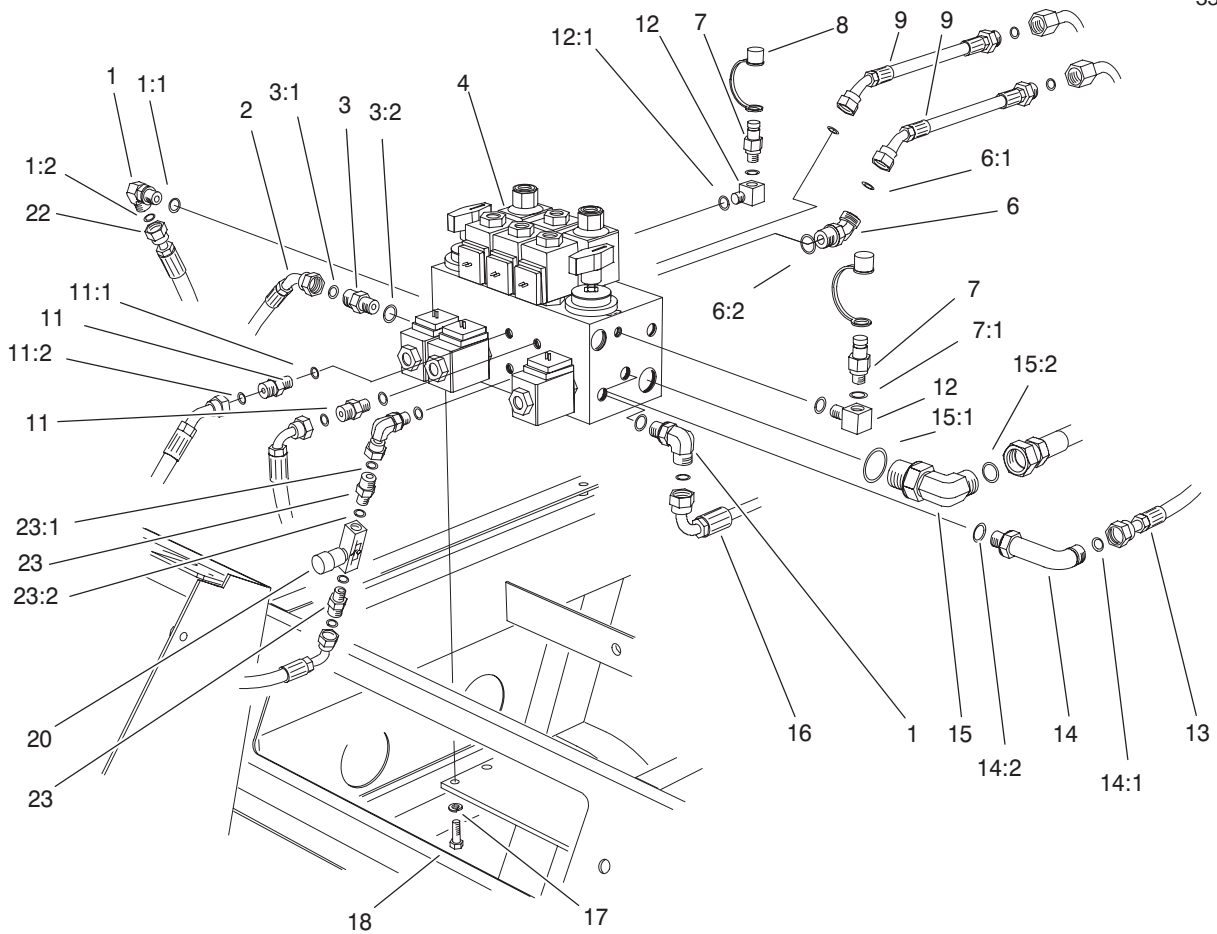


Sheet No.:20
T-3426

Frame And Body Assembly

Ref. No.	Part No.	Qty.	Description
1	98-9321	1	Ring-Key
2	98-9316	1	Latch - Hood
3	98-9315	1	Latch - Locking
3:1	99-8350	2	Key - Latch, Locking
4	3296-16	2	Nut-Lock, NI
5	65-5100	2	Handle-Door
6	46-8091	4	Screw-HWH
7	237-141	2	Grommet-Rubber
8	98-9746	1	Hood & Carton ASM
9	3256-1	9	Washer-Flat
10	321-4	2	Screw-HH
11	98-9314	1	Grommet
12	93-7252	1	Decal-International
13	3272-4	2	Pin-Cotter
14	3256-23	6	Washer-Flat
15	75-0570	1	Cable - Hood
16	98-4573-03	1	Screen - Hood, Rear
17	98-4522	2	Decal - Rm 5400D
18	3296-42	7	Nut-Lock
19	321-39	7	Screw-HH
20	62-7400	1	Decal-Toro
21	92-5751	1	Decal - Hood, LH
22	92-5752	1	Decal - Hood, RH
23	63-6900-01	1	Plate-Hood Hinge, LH
24	63-6890-01	1	Plate-Hood Hinge, RH
25	3253-4	4	Washer

Ref. No.	Part No.	Qty.	Description
26	322-5	4	Screw-HH
28	93-0081	1	Strip-Seal
29	99-8975	1	Strip-Seal



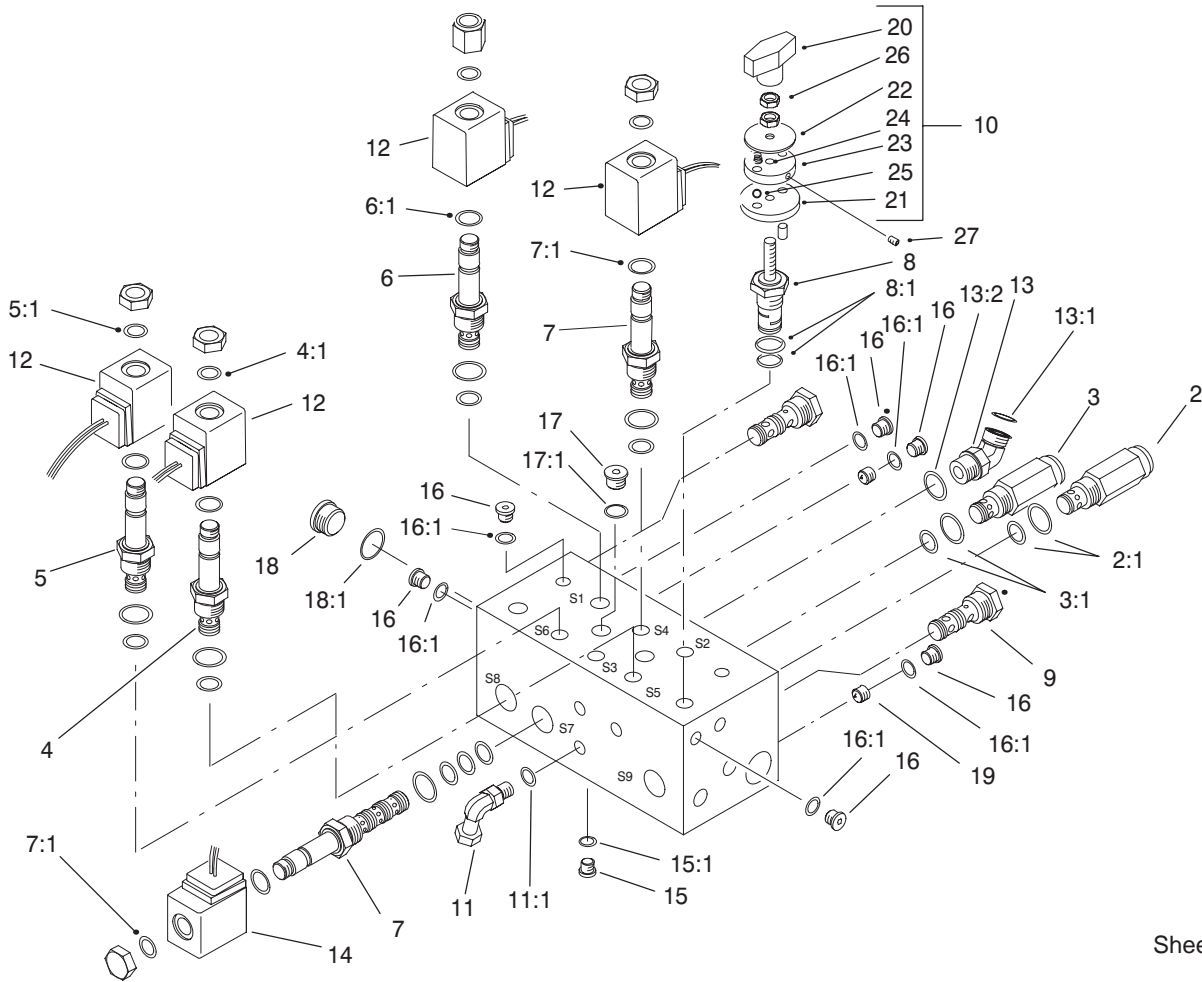
Sheet No.:21
T-3427

Hydraulic Control Block And Hoses Assembly

Ref. No.	Part No.	Qty.	Description
1	340-98	2	Fitting-90°
1:1	237-79	2	O-Ring
1:2	237-30	2	O-Ring
2	100-3879	1	Hose Assembly - Hydraulic
3	340-4	1	Adapter
3:1	237-30	1	O-Ring
3:2	237-79	1	O-Ring
4	98-4579	1	Hydraulic Manifold ASM
6	340-101	1	Fitting
6:1	237-30	1	O-Ring
6:2	237-79	1	O-Ring
7	354-77	2	Fitting-Quick
7:1	237-78	2	O-Ring
8	354-79	2	Cap - Fitting, Yellow
9	86-9190	2	Hose
11	340-92	2	Fitting
11:1	237-78	1	O-Ring
11:2	237-21	1	O-Ring
12	75-6640	2	Fitting - Special
12:1	237-78	2	O-Ring
13	98-9348	1	Hydraulic Hose ASM
14	98-9781	1	Fitting - 90°, Orfs
14:1	237-30	1	O-Ring
14:2	237-79	1	O-Ring

Ref. No.	Part No.	Qty.	Description
15	340-139	1	Fitting-90°
15:1	237-81	1	O-Ring
15:2	237-65	1	O-Ring
16	98-9347	1	Hydraulic Hose ASM
17	3253-4	4	Washer
18	322-3	4	Screw-HH
20	98-9742	1	Valve-Control, Flow
22	100-3878	1	Hose Assembly - Hydraulic
23	340-1	2	Adapter
23:1	237-35	1	O-Ring
23:2	237-42	1	O-Ring
*24	3290-378	1	Tie-Cable

* Not illustrated



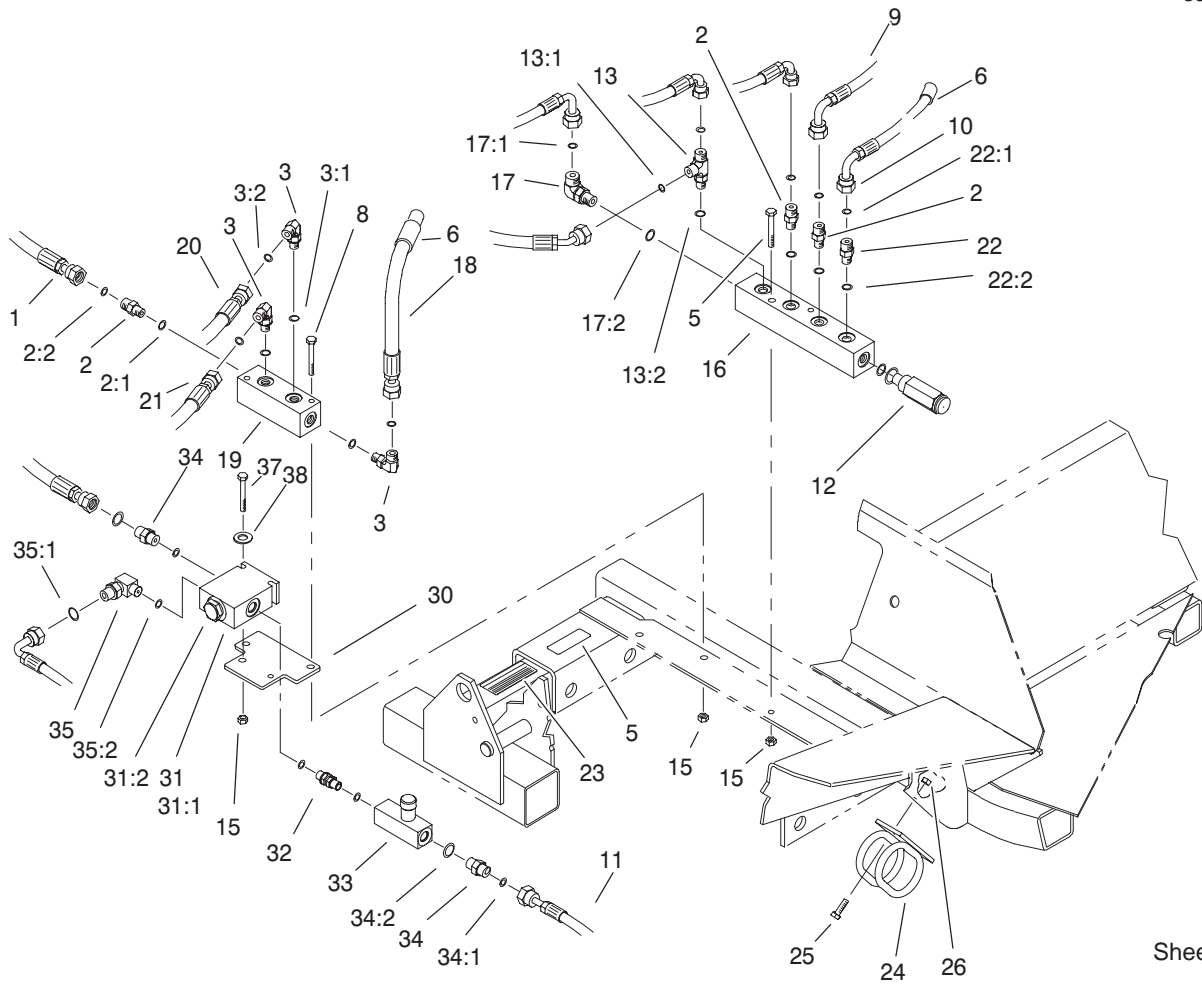
Sheet No.:B3
T-1503-3

Hydraulic Manifold Assembly No. 98-4579

Ref. No.	Part No.	Qty.	Description
2	75-2010	1	Cartridge – Relief Da
2:1	95-5645	1	Seal Kit
3	75-0920	1	Cartridge-Relief
3:1	95-5645	1	Seal Kit
4	94-2685	3	Cartridge – N.c. Spool
4:1	95-5645	1	Seal Kit
5	92-6315	1	Cartridge-N.c. Poppet
5:1	69-4230	1	Kit-Seal
6	88-7020	2	Cartridge-N.o. Spool
6:1	95-5645	1	Seal Kit
7	88-6960	3	Cartridge-4w/2p
7:1	95-5642	1	Seal Kit
8	98-9779	2	Cartridge – Flow
8:1	95-5645	1	Seal Kit
9	69-4120	2	Cartridge-Logic
*9:1	69-4240	1	Kit-Seal
10	94-3660	1	Kit-Detent
11	340-143	1	Elbow – 90° Swivel
12	88-9190	6	Kit-Coil, Solenoid
13	340-101	1	Fitting
13:1	237-30	1	O-Ring
13:2	237-79	1	O-Ring
14	88-9200	3	Solenoid Coil Kit
15	353-991	10	Plug-Hex, Hollow
15:1	237-156	1	O-Ring

Ref. No.	Part No.	Qty.	Description
16	353-990	15	Plug
16:1	237-78	1	O-Ring
17	353-989	1	Plug-Hex, Hollow
17:1	237-42	1	O-Ring
18	354-70	1	Plug-Hex, Hollow
18:1	237-80	1	O-Ring
19	98-9791	2	Plug – Orifice
20	94-5020	1	Knob ASM
21	94-5025	1	Plate – Locating
22	94-5026	1	Plate-Indicator
23	94-5023	1	Plate – Detent
24	94-5027	2	Spring
25	255-13	2	Ball-Steel, Stainless
26	3218-1	2	Nut-Jam
27	3245-36	1	Screw – HSH

* Not illustrated



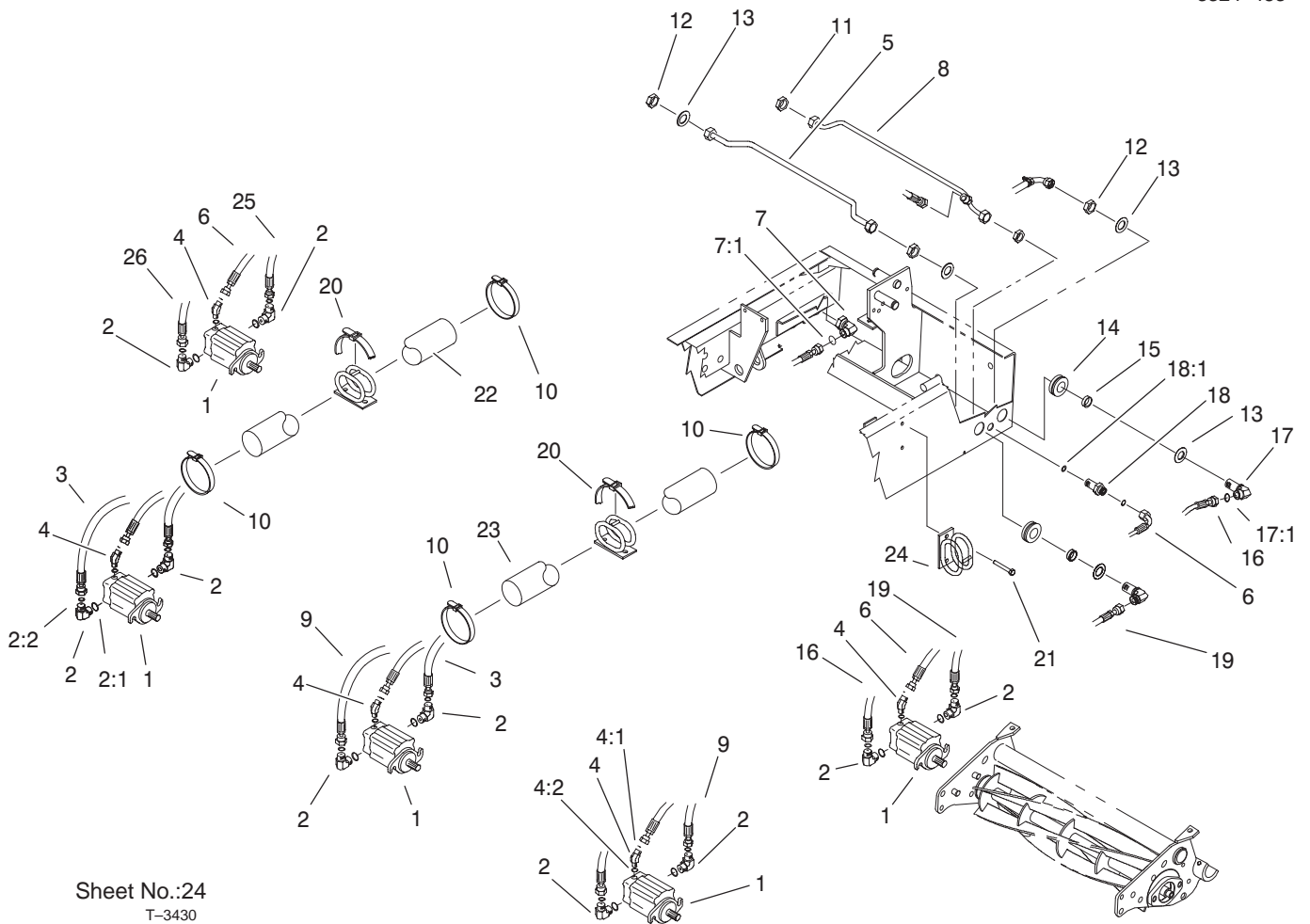
Sheet No.:22
T-3428

Front Hydraulic Manifold Assembly

Ref. No.	Part No.	Qty.	Description
1	98-4584	1	Hydraulic Hose ASM
2	340-92	3	Fitting
2:1	237-78	1	O-Ring
2:2	237-21	1	O-Ring
3	340-132	3	Elbow-90°
3:1	237-78	1	O-Ring
3:2	237-21	1	O-Ring
5	93-6686	1	Decal-Oil, Hydraulic
6	38-3400	2	Guard-Rubber
7	75-5910	1	Hose
8	321-18	4	Screw-HH
9	93-0118	1	Hose ASM
10	93-0119	1	Hose ASM
11	99-5643	1	Hose-Hydraulic
12	93-0143	1	Cartridge-Relief, P.o.
13	340-140	1	Adapter Tee
13:1	237-21	2	O-Ring
13:2	237-78	1	O-Ring
15	3296-42	6	Nut-Lock
16	93-0139	1	Block-Manifold, 6 Port
17	340-77	1	Fitting-90°
17:1	237-22	1	O-Ring
17:2	237-42	1	O-Ring
18	92-9096	1	Hose
19	75-1180	1	Block-Manifold, 4 Port
20	98-4587	1	Hydraulic Hose ASM

Ref. No.	Part No.	Qty.	Description
21	98-4590	1	Hydraulic Hose ASM
22	340-2	2	Adapter
22:1	237-22	1	O-Ring
22:2	237-42	1	O-Ring
23	93-6693	1	Decal-Plate, Floor
24	99-5621	2	Guide-Hose
25	322-5	4	Screw-HH
26	3296-29	4	Nut-Lock, NI
30	99-5640	1	Plate-Mounting
31	99-6998	1	Divider-Flow
31:1	99-5645	1	Body
31:2	99-5646	1	Cartridge
*31:3	353-989	1	Plug-Hex, Hollow
31:3:1	237-42	1	O-Ring
*31:4	99-5647	1	Seal Kit
32	99-5644	1	Fitting-Sae
33	98-9742	1	Valve-Control, Flow
34	340-1	2	Adapter
34:1	237-35	1	O-Ring
34:2	237-42	1	O-Ring
35	340-82	1	Adapter
35:1	237-42	1	O-Ring
35:2	237-21	1	O-Ring
37	321-11	2	Screw-HH
38	3256-2	2	Washer-Flat

* Not illustrated



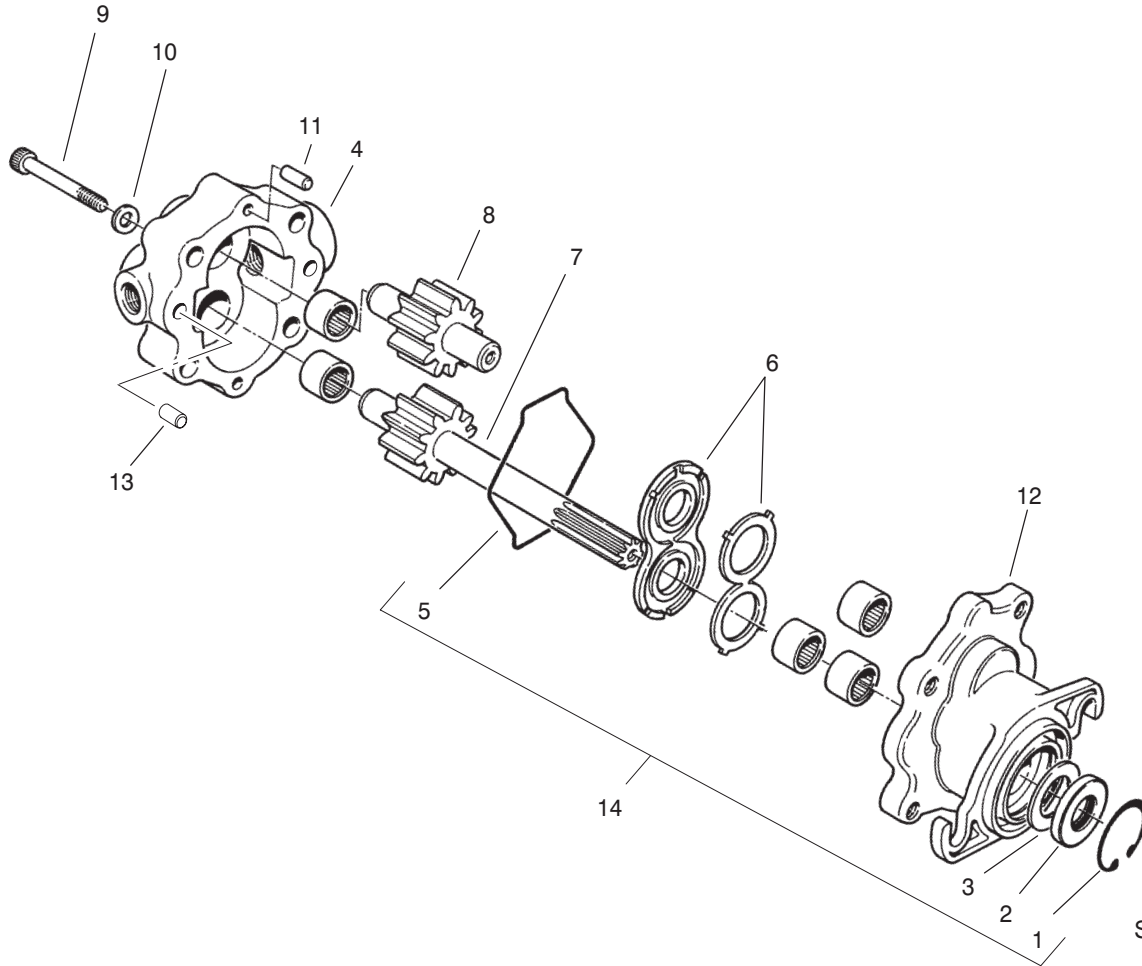
Sheet No.:24
T-3430

Reel Motors Assembly

Ref. No.	Part No.	Qty.	Description
1	93-1375	5	Motor-Reel
2	340-98	10	Fitting-90°
2:1	237-79	2	O-Ring
2:2	237-30	2	O-Ring
3	100-3875	1	Hose Assembly - Hydraulic
4	340-103	5	Fitting
4:1	237-78	2	O-Ring
4:2	237-21	2	O-Ring
5	94-4918	1	Tube ASM
6	98-4583	2	Hydraulic Hose ASM
7	94-6031	1	Fitting-Hydraulic
7:1	237-30	1	O-Ring
8	100-3714	1	Drain Tube ASM
*8:1	237-21	1	O-Ring
9	100-3874	1	Hose Assembly - Hydraulic
10	3290-379	10	Tie-Cable
11	340-70	2	Locknut-Bulkhead
12	340-127	4	Nut-Bulkhead
13	69-8930	8	Washer
14	240-5	4	Grommet
15	69-8960	4	Spacer
16	100-3876	1	Hose Assembly - Hydraulic
17	93-9151	3	Fitting-Hydraulic

Ref. No.	Part No.	Qty.	Description
17:1	237-30	2	O-Ring
18	340-71	2	Fitting-Straight, Bulkhead
18:1	237-22	2	O-Ring
19	100-3877	1	Hose Assembly - Hydraulic
20	3334-945	3	Tie-Cable
21	32104-32	4	Screw-HH
22	99-5648	4	Sleeve-Protective
23	99-5617	1	Sleeve - Protection
24	99-5621	2	Guide-Hose
25	104-0057	1	Hose ASM-Hyd
26	104-0069	1	Hose ASM-Hyd
*27	100-3713	1	Fitting-Hyd, 90 Bulkhead
*27:1	237-30	2	O-Ring

* Not illustrated



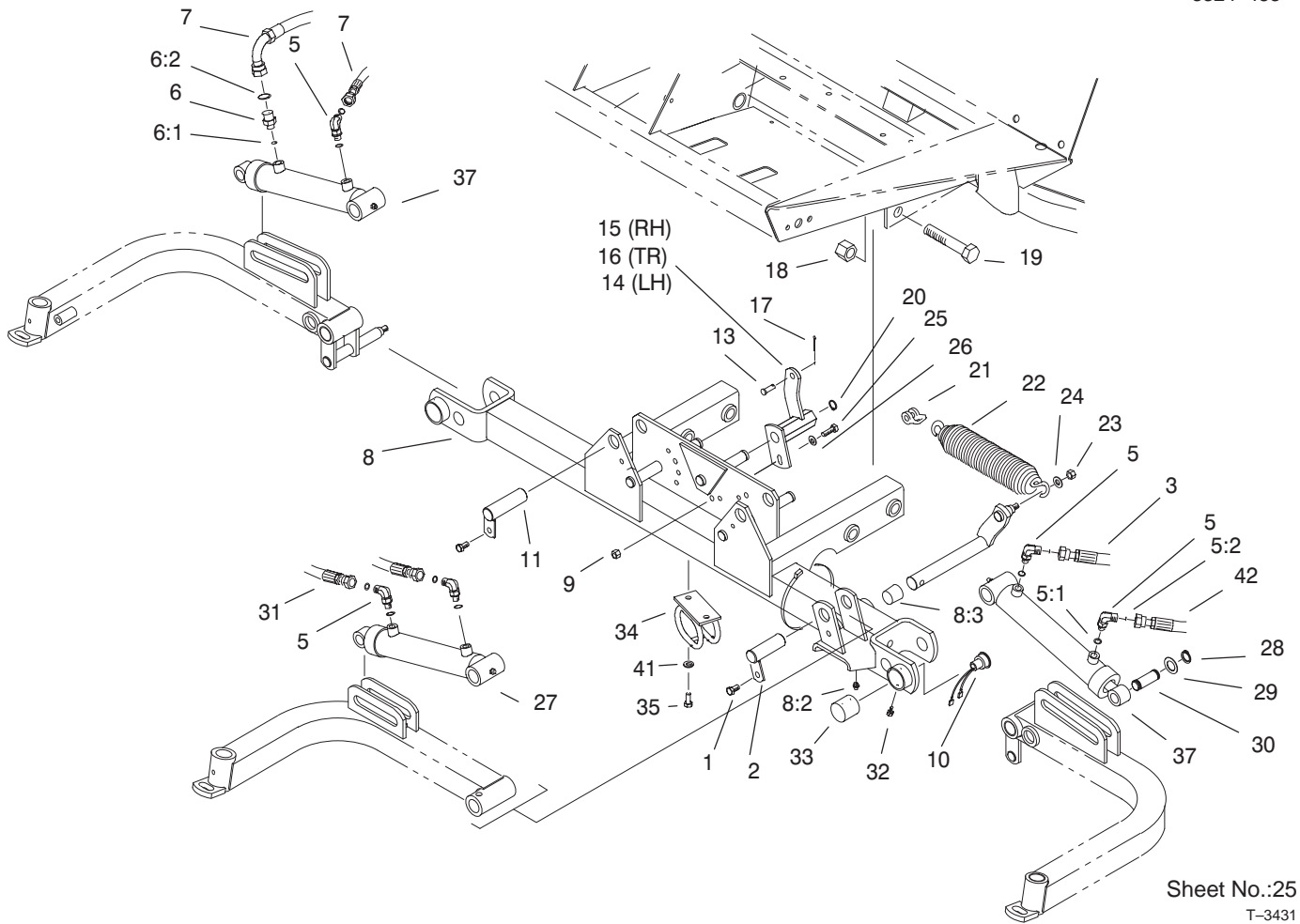
Sheet No.:B4
T-3516

Reel Motor Assembly No. 93-1375

Ref. No.	Part No.	Qty.	Description
1	32151-41	2	Ring-Snap
4	93-3614	2	Cover ASM
5	354-46	2	Ring-Seal
6	74-3810	2	Load Plate ASM
7	93-3615	2	Drive Shaft & Gear ASM
8	93-3616	2	Idler Shaft & Gear ASM
9	354-50	8	Screw-HSH
10	354-51	8	Washer
11	353-599	4	Pin-Dowel
12	92-8795	2	Body ASM
13	92-8796	4	Pin - Dowel
14	92-8863	2	Kit-Repair

Ref. No.	Part No.	Qty.	Description

* Not Illustrated

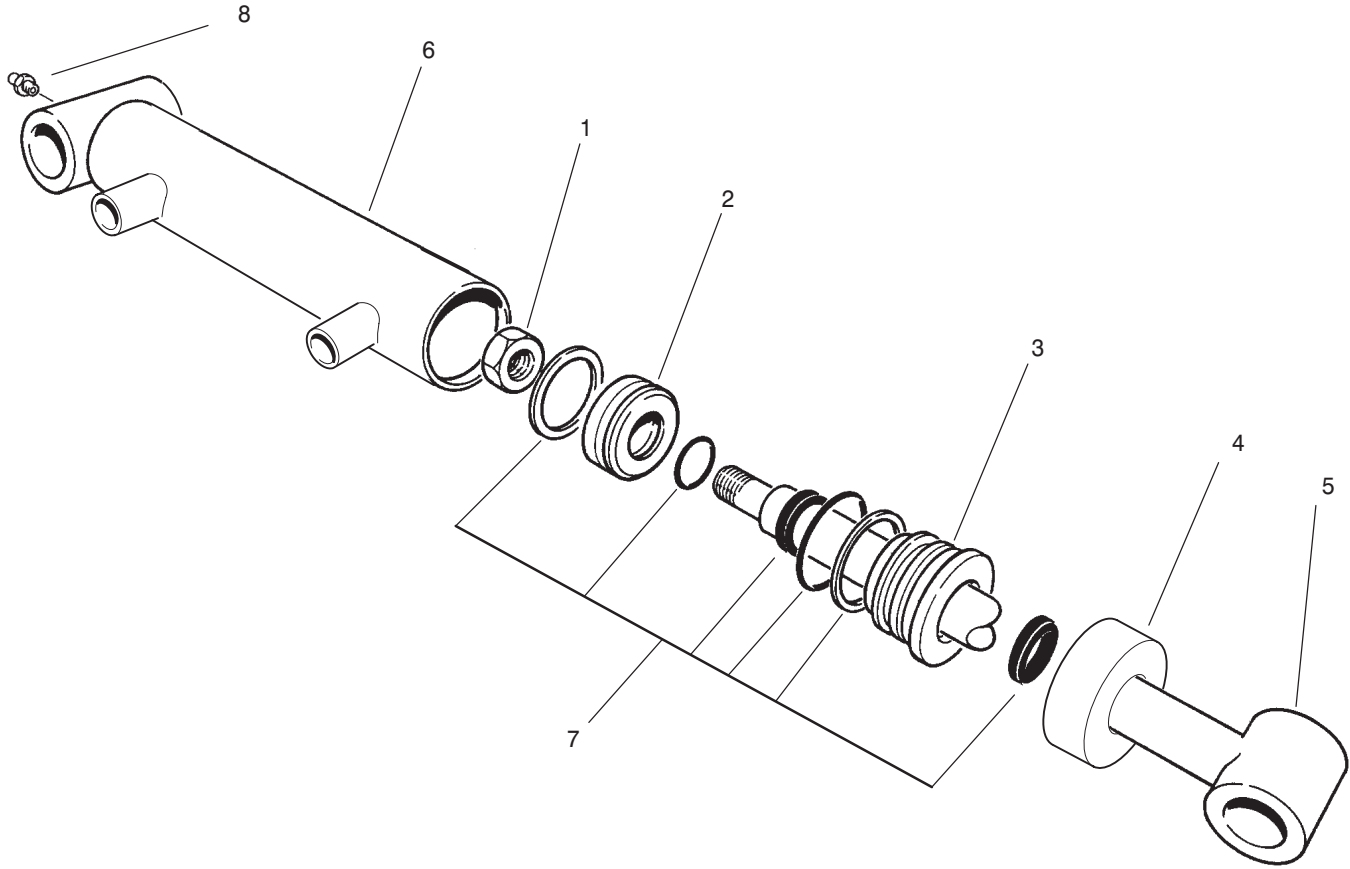


Sheet No.:25
T-3431

Carrier Frame Assembly

Ref. No.	Part No.	Qty.	Description	Ref. No.	Part No.	Qty.	Description
1	32144-14	3	Screw-HWH	20	32151-48	3	E-Ring
2	83-6790	1	Pin-Cylinder	21	282-4	3	Shackle
3	99-5643	1	Hose-Hydraulic	22	5-0743-03	3	Spring-Mower
5	340-132	5	Elbow-90°	23	3296-44	3	Nut-Lock NI
5:1	237-78	2	O-Ring	24	3256-24	3	Washer-Flat
5:2	237-21	2	O-Ring	25	322-5	3	Screw-HH
6	340-92	1	Fitting	26	3256-23	3	Washer-Flat
6:1	237-78	1	O-Ring	27	93-9310	1	Cylinder-Hydraulic
6:2	237-21	1	O-Ring	28	32120-93	6	Ring-Retaining
7	99-5641	2	Hose-Hydraulic	29	3-6498	6	Washer-Thrust
8	94-5808	1	Frame-Carrier	30	75-5350	3	Pin-Slide, Cylinder
8:2	302-5	1	Fitting-Lube	31	75-5900	1	Hose
8:3	67-1750	2	Bushing	32	32104-76	2	Screw-Slot, Acorn
9	3296-29	4	Nut-Lock, NI	33	75-6370	1	Cap - Sensor
10	92-8002	1	Plug-Reed Switch, Magnet	34	99-5621	1	Guide-Hose
11	83-6780	2	Cylinder Pin	35	322-5	2	Screw-HH
*12	3290-379	4	Tie-Cable	37	99-6986	2	Cylinder-Hydraulic
13	283-6	3	Pin-Clevis	*39	3290-378	2	Tie-Cable
14	75-5220-03	1	Bracket-Spring, LH	41	3253-5	2	Washer-Lock/Sp
15	75-5200-03	1	Bracket-Spring, RH	42	99-5642	1	Hose-Hydraulic
16	75-5210-03	1	Bracket-Spring, Center				
17	3272-10	3	Pin-Cotter				
18	3296-51	4	Nut-Lock, NI				
19	328-7	4	Screw-HH				

* Not illustrated

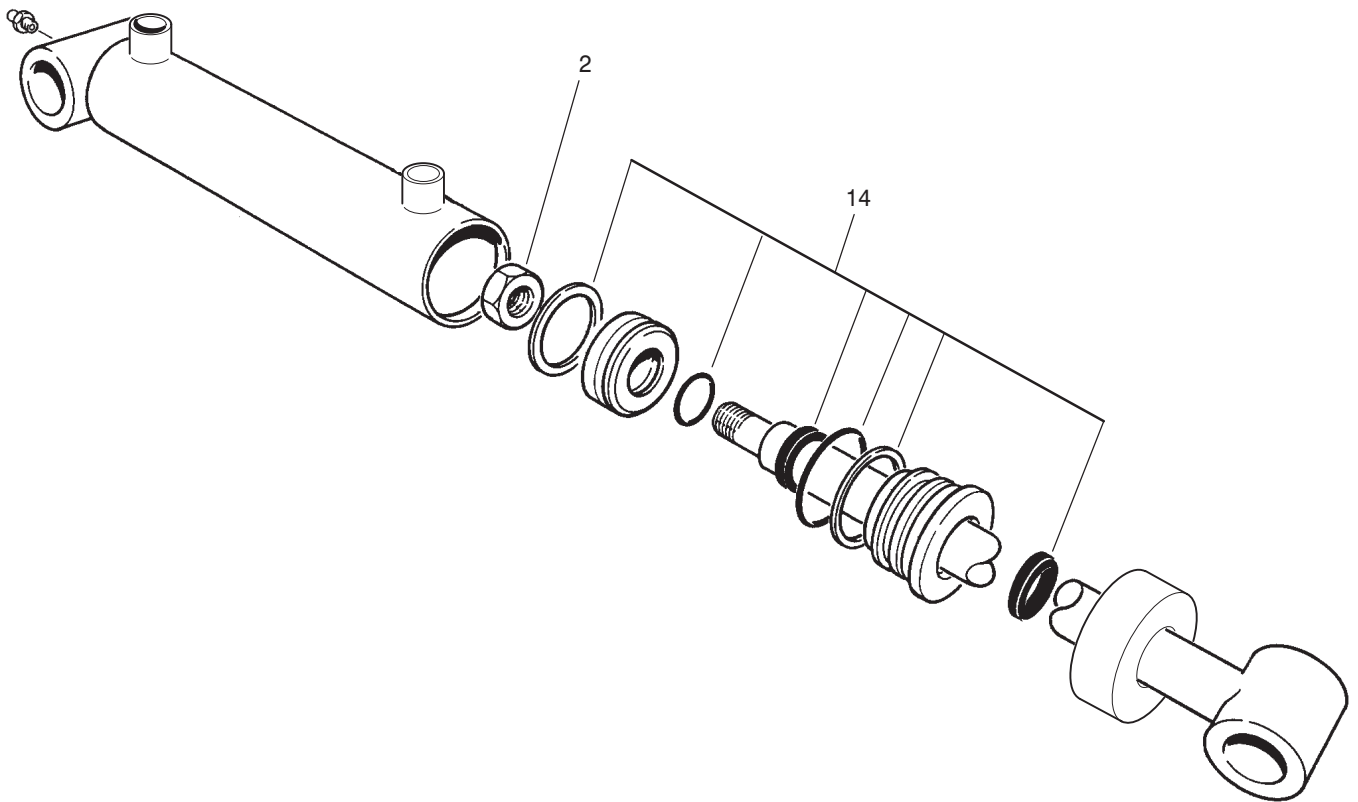


Sheet No.:B5
T-2114-2

Hydraulic Cylinder No. 93-9310

Ref. No.	Part No.	Qty.	Description
1	32152-10	1	Locknut-Deform, Top
2	70-2780	1	Piston
3	93-7990	1	Head
4	93-7991	1	Collar
5	75-3790	1	Shaft w/Tube
6	93-9312	1	Barrel ASM
7	86-7330	1	Kit-Seal
8	302-5	1	Fitting-Lube

Ref. No.	Part No.	Qty.	Description

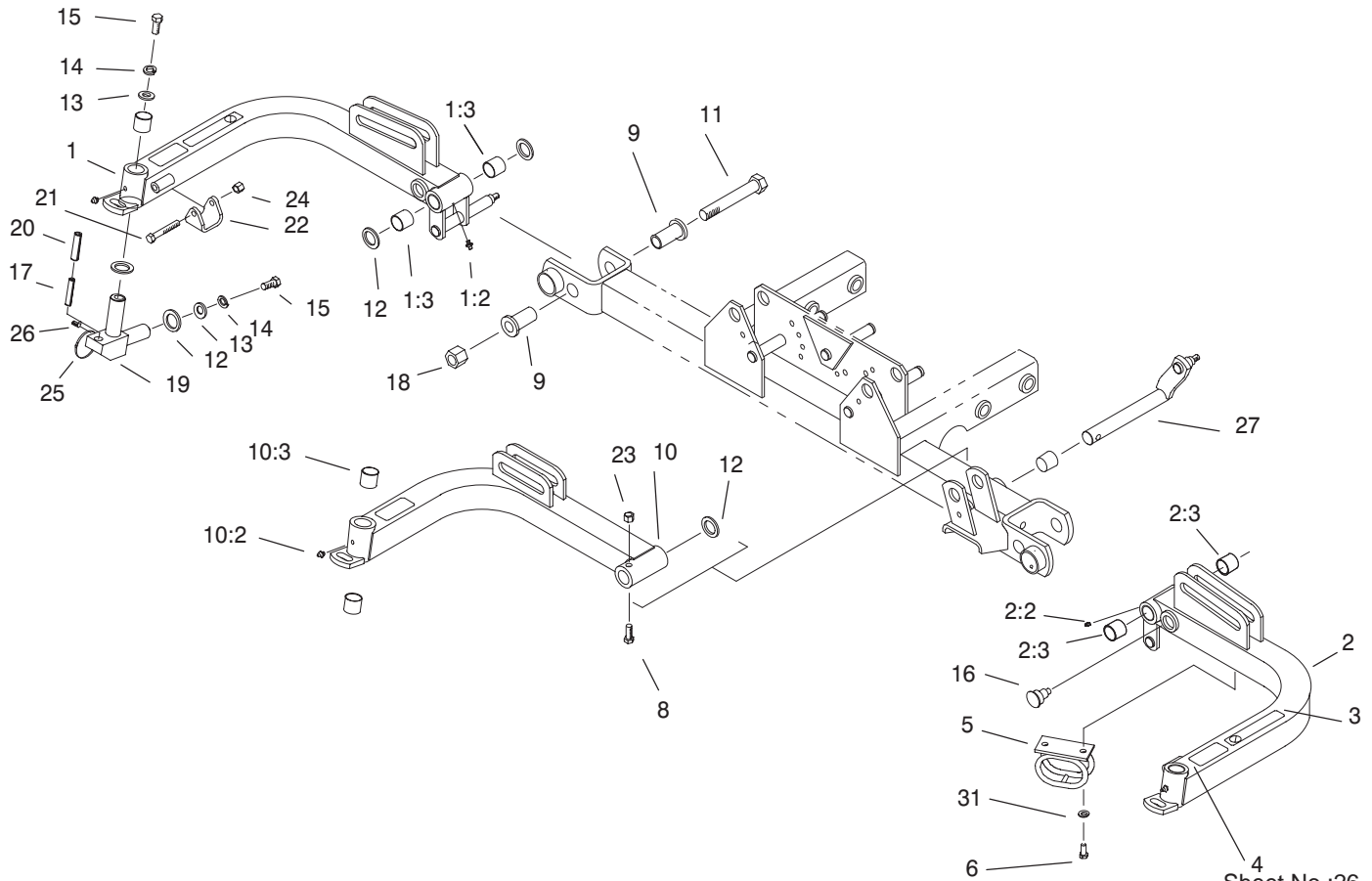


Sheet No.:B6
T-3383

Hydraulic Cylinder Assembly No. 99-6986

Ref. No.	Part No.	Qty.	Description
2	32152-10	1	Locknut-Deform, Top
14	100-8023	1	Kit-Repair, Seal

Ref. No.	Part No.	Qty.	Description

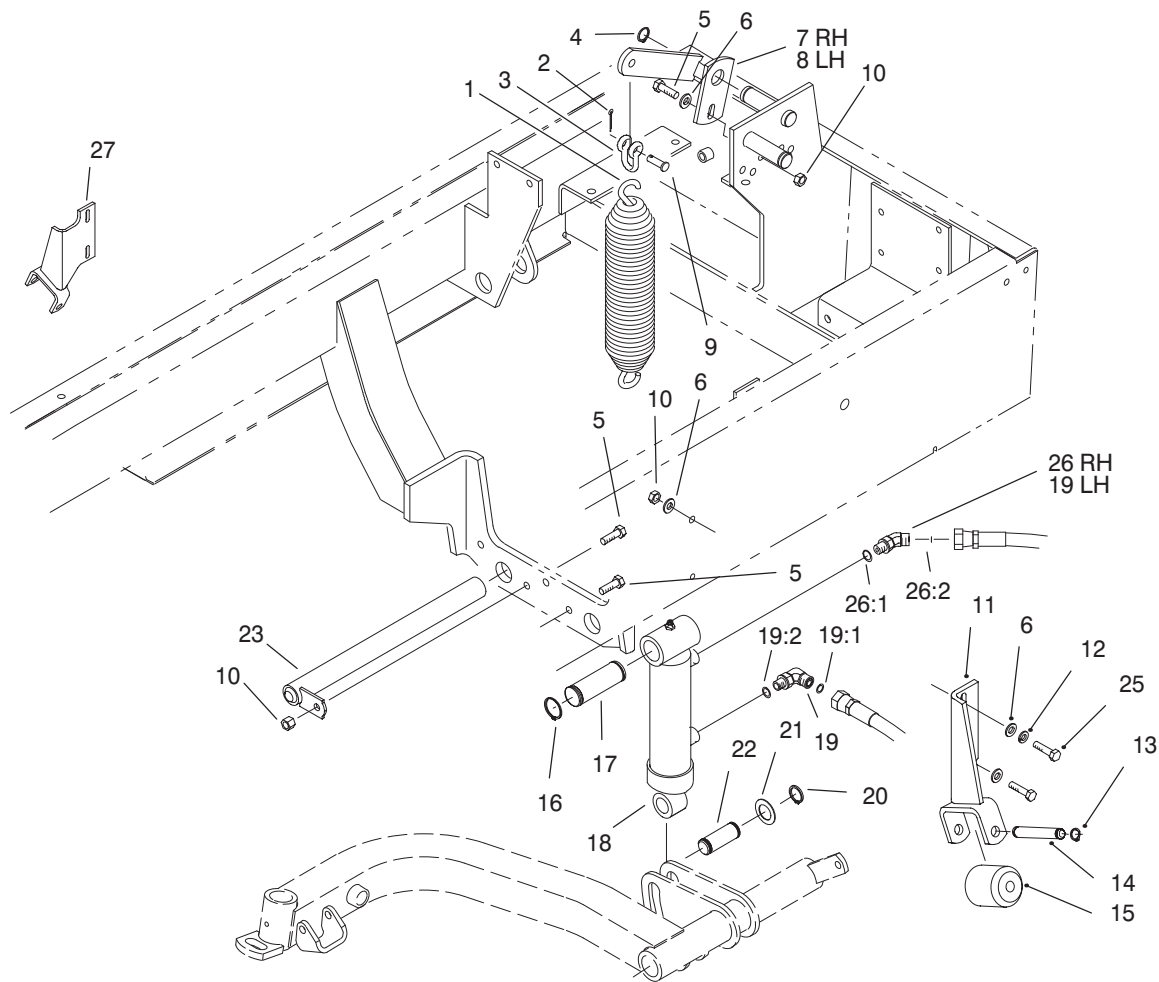


Sheet No.:26
T-3432

Front Lift Arms Assembly

Ref. No.	Part No.	Qty.	Description
1	94-5598	1	Arm-Lift, RH
1:2	302-5	2	Fitting-Lube
1:3	67-1750	4	Bushing
2	94-5800	1	Arm-Lift, LH
2:2	302-5	2	Fitting-Lube
2:3	67-1750	4	Bushing
3	93-6687	2	Decal-Step, No
4	93-6696	3	Decal-Loaded, Spring
5	99-5621	2	Guide-Hose
6	322-5	4	Screw-HH
8	323-11	1	Screw-HH
9	84-8320	4	Insert - Hinge
10	94-5802	1	Arm-Lift, Center
10:2	302-5	1	Fitting-Lube
10:3	67-1750	2	Bushing
11	328-12	2	Screw-HH
12	256-115	11	Washer-Thrust
13	3256-6	6	Washer-Flat
14	3253-7	6	Washer-Lock/Sp
15	325-4	6	Screw-HH
16	92-8754	1	Plug-Reed Switch, Magnet
17	32121-27	3	Pin-Roll
18	3296-51	2	Nut-Lock, NI
19	75-3010-03	3	Joint-Arm
20	32121-122	3	Pin - Roll

Ref. No.	Part No.	Qty.	Description
21	323-12	2	Screw-HH
22	75-5410	2	Bracket-Arm
23	3296-44	1	Nut-Lock NI
24	3296-39	2	Nut-Lock, NI
25	3290-378	4	Tie-Cable
26	92-9097	3	Screw-HS
27	75-4550-03	1	Shaft-Lift, Center
31	3253-5	4	Washer-Lock/Sp

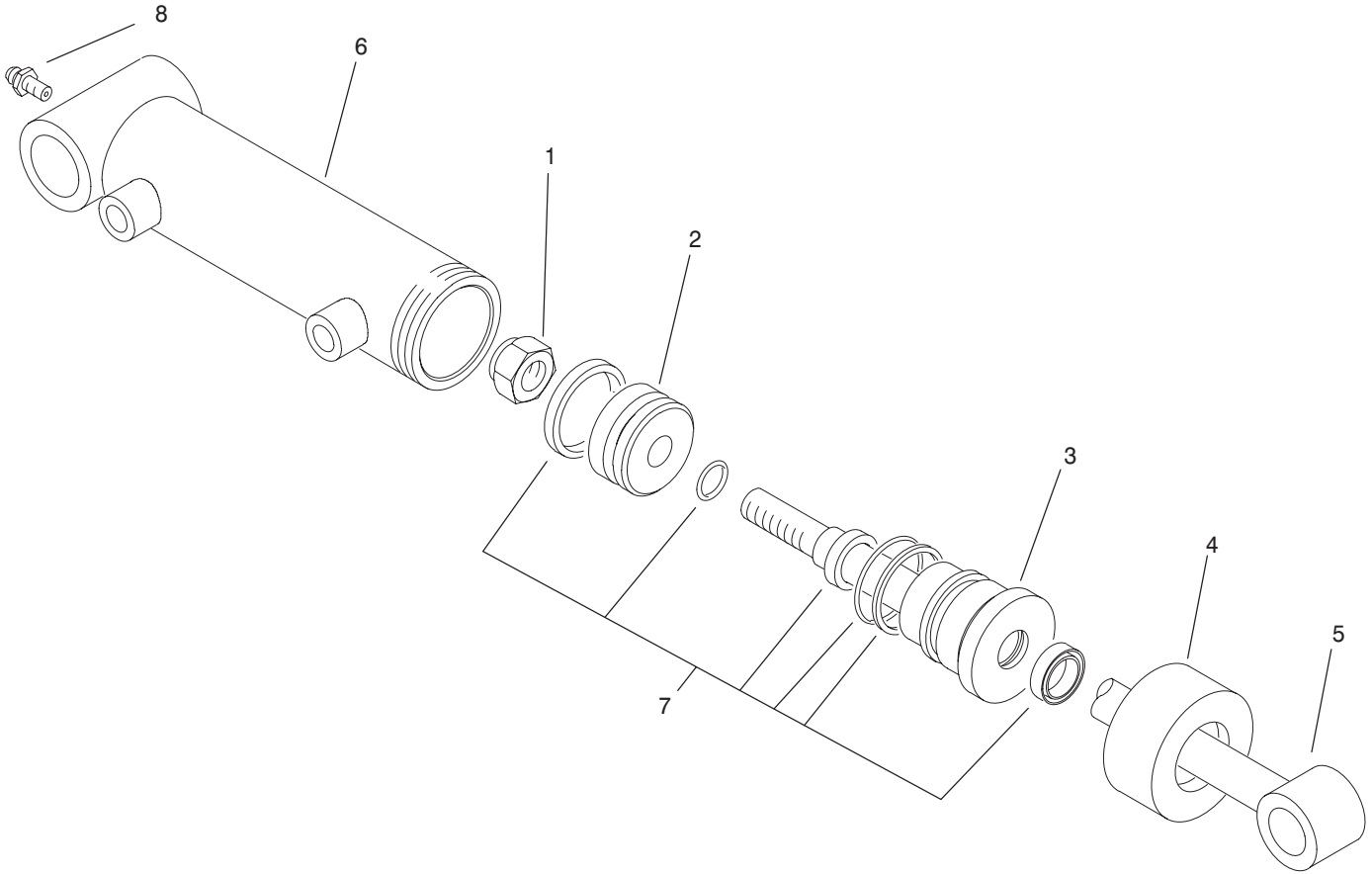


Sheet No.:27

Rear Lift Arm Installation Assembly

Ref. No.	Part No.	Qty.	Description	Ref. No.	Part No.	Qty.	Description
1	5-0743-03	2	Spring-Mower	25	322-6	4	Screw-HH
2	3272-10	2	Pin-Cotter	26	340-103	1	Fitting
3	282-4	2	Shackle	26:1	237-78	1	O-Ring
4	32151-48	2	E-Ring	26:2	237-21	1	O-Ring
5	322-5	4	Screw-HH	27	100-3829-01	1	Bracket-RH Roller
6	3256-23	9	Washer-Flat				
7	98-4548-03	1	Bracket-Spring, RH				
8	98-4536-03	1	Bracket-Spring, LH				
9	283-6	2	Pin-Clevis				
10	3296-29	11	Nut-Lock, NI				
11	100-3831-01	1	Bracket-LH Roller				
12	3253-4	2	Washer				
13	32151-61	4	Ring-Retaining				
14	75-5400	2	Pin - Roller				
15	75-5390	2	Roller				
16	32151-36	4	Ring-Retaining				
17	75-5360	2	Pin-Cylinder				
18	93-9311	2	Cylinder-Hydraulic				
19	340-132	3	Elbow-90°				
19:1	237-78	1	O-Ring				
19:2	237-21	1	O-Ring				
20	32120-93	4	Ring-Retaining				
21	3-6498	4	Washer-Thrust				
22	75-5350	2	Pin-Slide, Cylinder				
23	93-0069-03	2	Pin-Rear				
*24	3290-379	3	Tie-Cable				

* Not illustrated

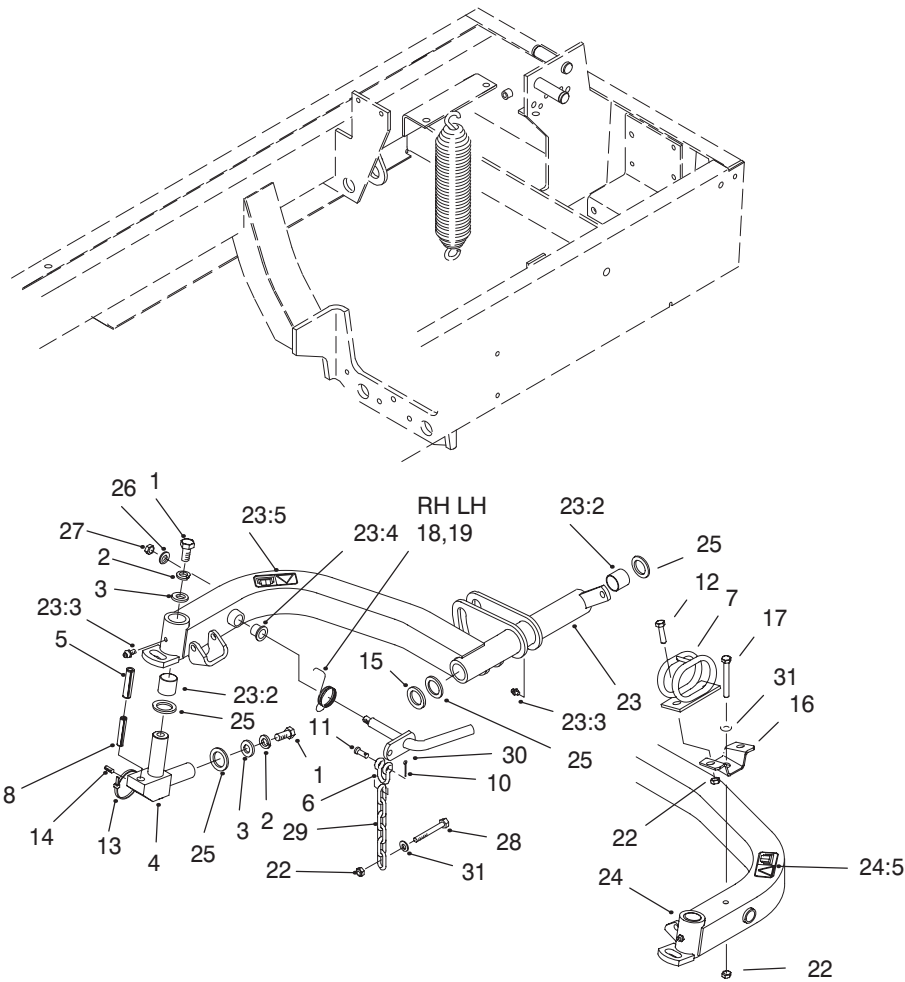


Sheet No.:B7
T-2114-2

Hydraulic Cylinder No. 93-9311

Ref. No.	Part No.	Qty.	Description
1	32152-10	1	Locknut-Deform, Top
2	70-2780	1	Piston
3	93-7990	1	Head
4	93-7991	1	Collar
5	75-3790	1	Shaft w/Tube
6	93-9313	1	Barrel ASM
7	86-7330	1	Kit-Seal
8	302-5	1	Fitting-Lube

Ref. No.	Part No.	Qty.	Description



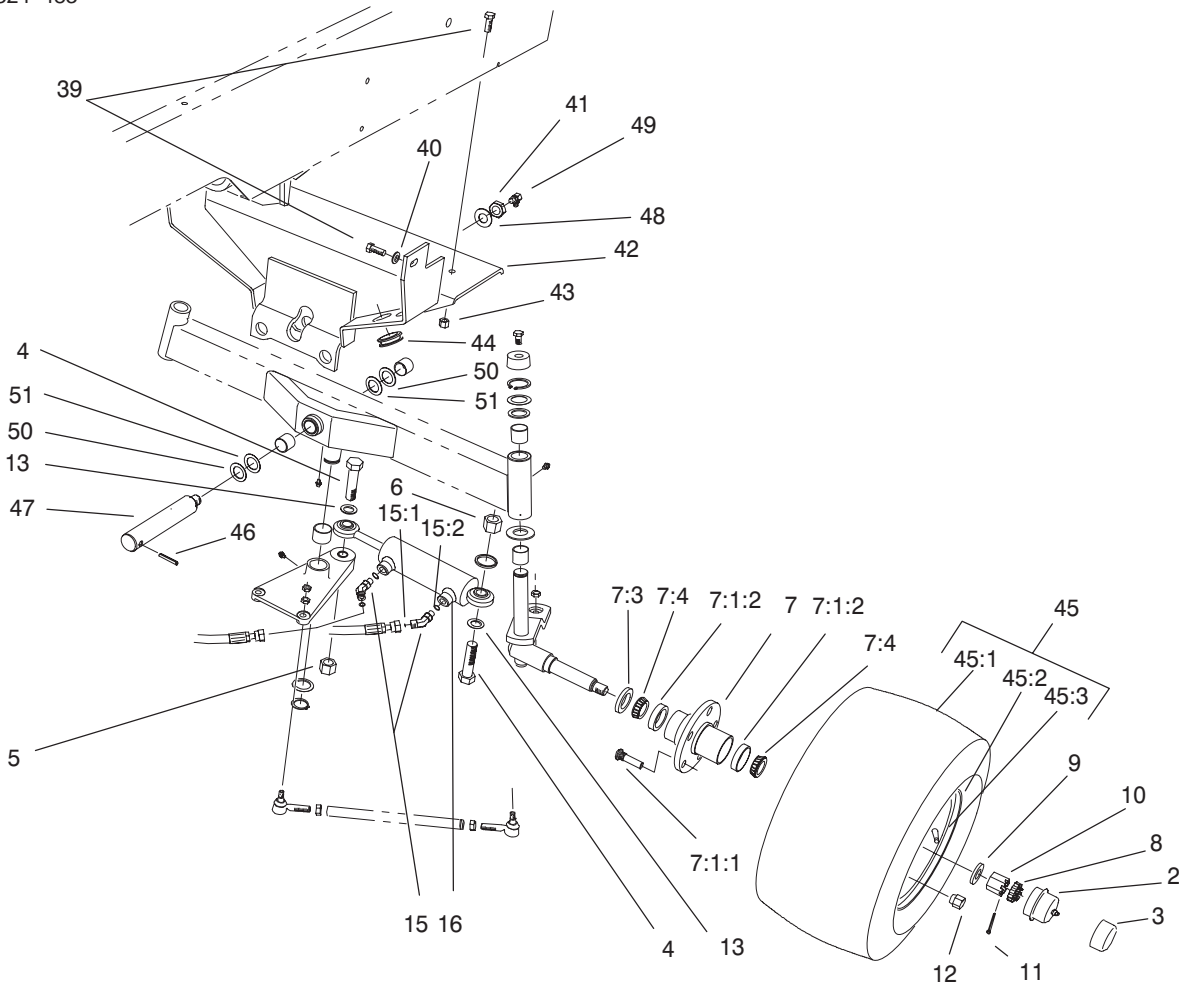
Sheet No.:28

Rear Lift Arm Assembly

Ref. No.	Part No.	Qty.	Description
1	325-4	4	Screw-HH
2	3253-7	4	Washer-Lock/Sp
3	3256-6	4	Washer-Flat
4	75-3010	2	Joint-Arm
5	32121-122	2	Pin - Roll
6	282-4	2	Shackle
7	99-5621	1	Guide-Hose
8	32121-27	2	Pin-Roll
*9	3290-379	1	Tie-Cable
10	3272-10	2	Pin-Cotter
11	283-6	2	Pin-Clevis
12	322-5	2	Screw-HH
13	3290-378	4	Tie-Cable
14	92-9097	2	Screw-HS
15	93-0142	2	Bushing - Straight
16	94-4919-03	1	Brkt.- Clamp, Hose
17	322-13	1	Screw-HH
18	75-4520	1	Spring-Torsion, RH
19	75-4530	1	Spring-Torsion, LH
22	3296-29	4	Nut-Lock, NI
23	100-3828	1	Arm Assembly-Lift Rear,RH
23:2	67-1750	4	Bushing
23:3	302-5	2	Fitting-Lube
23:4	256-287	2	Bushing
23:5	93-6696	1	Decal-Loaded, Spring

Ref. No.	Part No.	Qty.	Description
24	100-3827	1	Arm Assembly-Lift Rear,LH
*24:2	256-287	2	Bushing
*24:3	302-5	2	Fitting-Lube
*24:4	67-1750	4	Bushing
24:5	93-6696	1	Decal-Loaded, Spring
25	256-115	12	Washer-Thrust
26	3256-24	2	Washer-Flat
27	3296-39	2	Nut-Lock, NI
28	322-12	2	Screw-HH
29	5-1096	2	Chain-Lift
30	100-3834-03	2	Rod-Pivot
31	3256-23	3	Washer-Flat

* Not illustrated

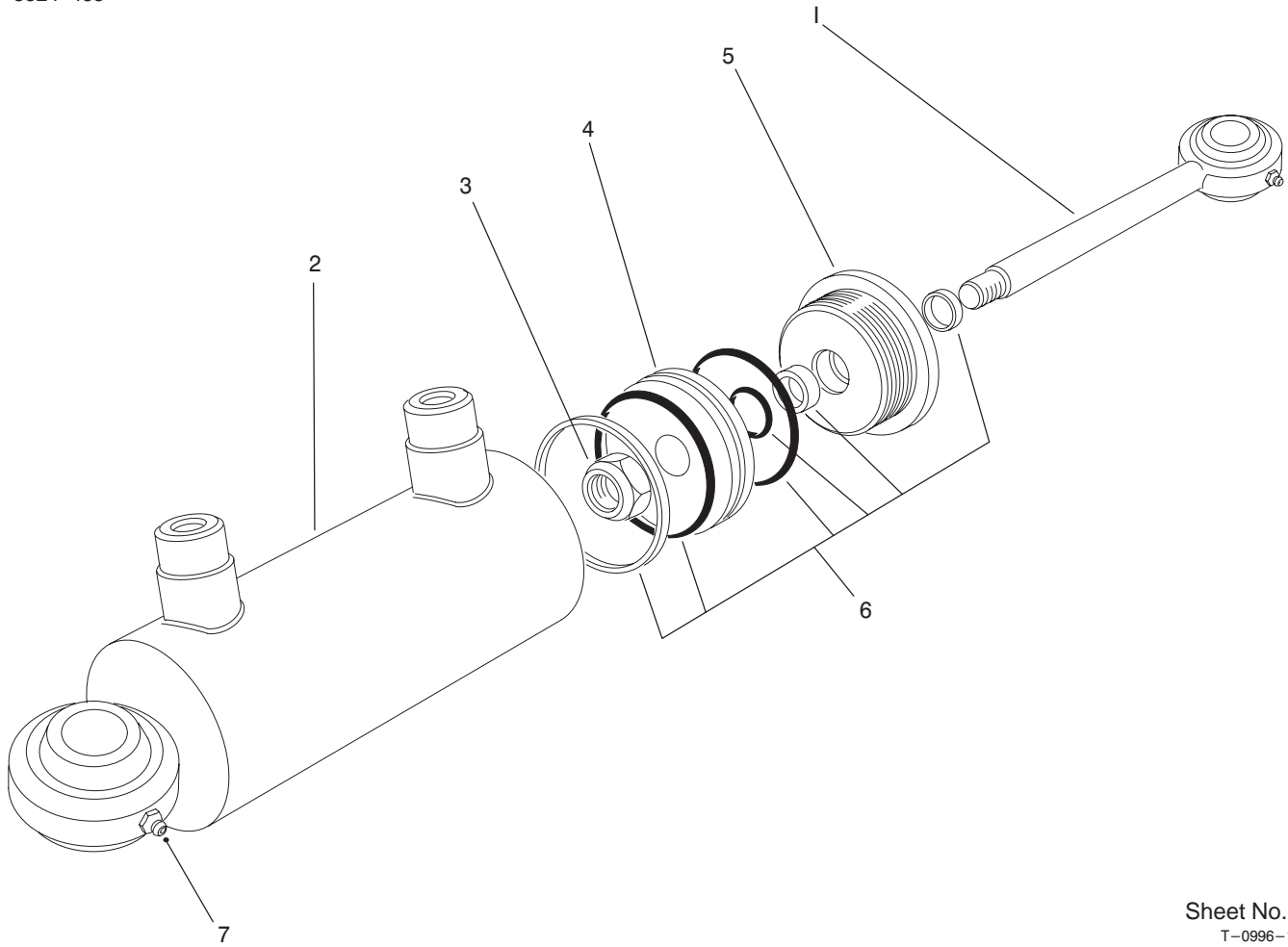


Sheet No.:31
T-3435

Rear Axle Support Assembly

Ref. No.	Part No.	Qty.	Description
1	18-4029-03	1	Axle-Rear Assembly
1:1		1	Axle-Rear Assembly
2	100-3769	2	Buddy-Bearing
3	100-3809	2	Cap-Bearing Protector
4	328-25	2	Screw-HH
5	32153-6	2	Locknut
6	67-7250	1	Spacer-Ring
7	21-0180	2	Hub ASM
7:1	21-2820	1	Hub ASM
7:1:1	10-6830	5	Stud-Type, Drive
7:1:2	254-72	2	Bearing-Taper/Cup
7:2	241-119	1	Cap-Dust
7:3	253-129	1	Seal
7:4	254-94	2	Bearing-Taper/Cone
8	93-0307	2	Nut Retainer-Lock
9	93-0309	4	Washer - Tab
10	3220-7	2	Nut-Jam
11	3272-13	2	Pin-Cotter
12	242-50	10	Nut-Lug
13	67-9410	2	Washer
15	340-103	2	Fitting
15:1	237-78	1	O-Ring
15:2	237-21	1	O-Ring
16	75-1200	1	Cylinder - Hydraulic
39	323-7	4	Screw-HH

Ref. No.	Part No.	Qty.	Description
40	3256-24	2	Washer-Flat
41	32146-20	1	Nut-Jam
42	98-8172-03	1	Support-Axle
43	3296-39	2	Nut-Lock, NI
44	237-165	2	Grommet
45	86-2820	2	Tire & Wheel ASM
45:1	86-5910	1	Tire
45:2	100-2582	1	Rim
45:3	232-27	1	Stem-Valve
46	32121-32	1	Pin-Roll
47	98-8173-03	1	Pin-Pivot, Axle
48	71-4540	1	Thrust Washer
49	302-2	1	Fitting-Grease
50	99-8431	2	Washer-Thrust
51	99-8432	2	Washer-Thrust

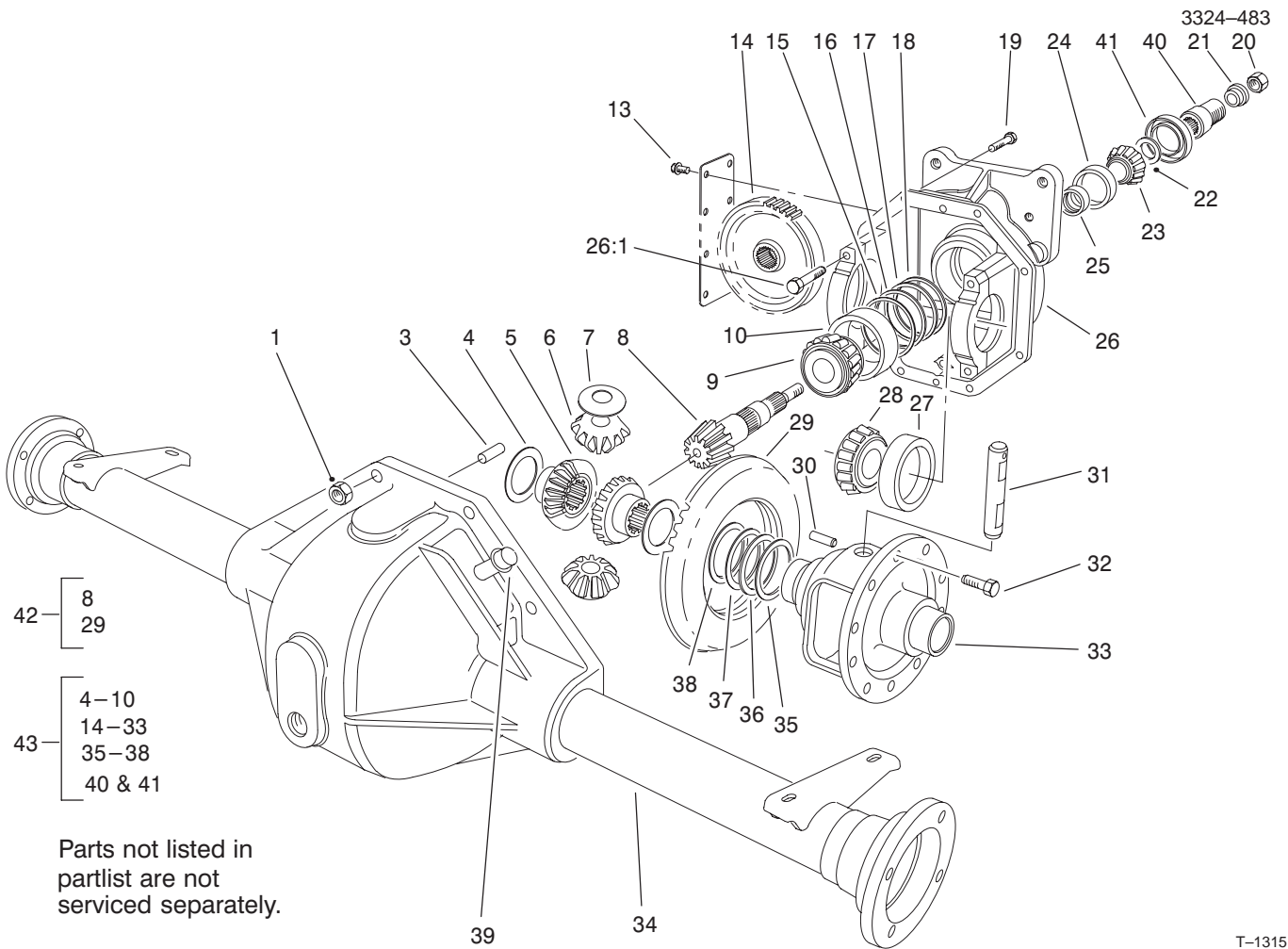


Sheet No.:B9
T-0996-1

Hydraulic Cylinder No. 75-1200

Ref. No.	Part No.	Qty.	Description
1	75-1230	1	Piston Rod
3	75-1210	1	Nut
4	75-1220	1	Piston
5	75-1260	1	Head
6	75-1250	1	Seal Kit
7	302-5	2	Fitting-lube

Ref. No.	Part No.	Qty.	Description



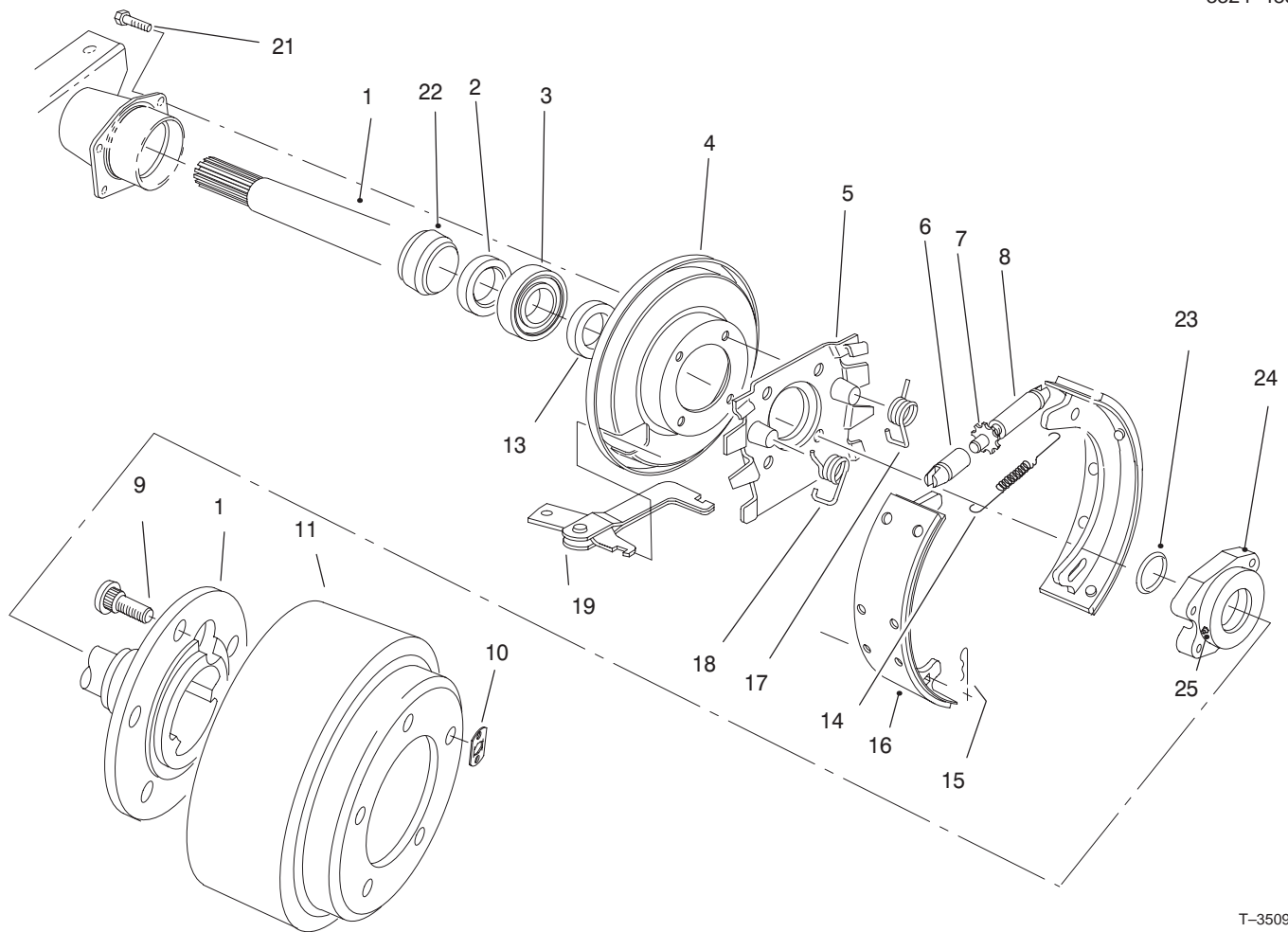
Axle Assembly No. 99-6981-03

T-1315

Ref. No.	Part No.	Qty.	Description
1	32144-5	8	Nut
3	21-8270	2	Pin-Dowel
4	21-7720	2	Washer-Thrust
5	24-8790	2	Gear-Bevel, Differential
6	21-7690	2	Gear-Pinion
7	21-7730	2	Washer-Thrust
9	43-6760	1	Cone-Bearing, Tapered
10	43-6750	1	Cup-Bearing, Tapered
13	32144-112	8	Screw-Forming, Thread
14	86-7230	1	Gear-Spur
15	43-6710	A/R	Diff. Adjust. Shim .003
16	43-6711	A/R	Diff. Adjust. Shim .005
17	43-6712	A/R	Diff. Adjust. Shim .010
18	43-6713	A/R	Diff. Adjust. Shim .030
19	3210-8	8	Screw-HH
20	71-4350	1	Nut
21	83-5130	1	Spacer-Pinion
22	72-3570	A/R	Shim .094-Diff. Adjust.
*	72-3571	A/R	Shim .096-Diff. Adjust.
*	72-3572	A/R	Shim .098-Diff. Adjust.
*	72-3573	A/R	Shim .100-Diff. Adjust.
*	72-3574	A/R	Shim .102-Diff. Adjust.
*	72-3575	A/R	Shim .104-Diff. Adjust.

Ref. No.	Part No.	Qty.	Description
*	72-3576	A/R	Shim .106-Diff. Adjust.
*	72-3577	A/R	Shim .108-Diff. Adjust.
*	72-3578	A/R	Shim .110-Diff. Adjust.
*	72-3580	A/R	Shim .112-Diff. Adjust.
*	72-3581	A/R	Shim .114-Diff. Adjust.
*	72-3582	A/R	Shim .116-Diff. Adjust.
*	72-3583	A/R	Shim .118-Diff. Adjust.
*	72-3584	A/R	Shim .120-Diff. Adjust.
*	72-3585	A/R	Shim .125-Diff. Adjust.
*	72-3586	A/R	Shim .127-Diff. Adjust.
*	72-3587	A/R	Shim .129-Diff. Adjust.
*	72-3588	A/R	Shim .131-Diff. Adjust.
*	72-3590	A/R	Shim .133-Diff. Adjust.
*	72-3591	A/R	Shim .135-Diff. Adjust.
*	72-3592	A/R	Shim .137-Diff. Adjust.
*	72-3593	A/R	Shim .139-Diff. Adjust.
*	72-3594	A/R	Shim .141-Diff. Adjust.
*	72-3595	A/R	Shim .143-Diff. Adjust.
*	72-3596	A/R	Shim .145-Diff. Adjust.
*	72-3597	A/R	Shim .147-Diff. Adjust.
*	72-3598	A/R	Shim .149-Diff. Adjust.
*	72-3600	A/R	Shim .151-Diff. Adjust.
23	254-91	1	Cone-Bearing
24	21-8390	1	Cup-Bearing
25	21-8020	1	Spacer-Pinion, Front

* Not Illustrated.



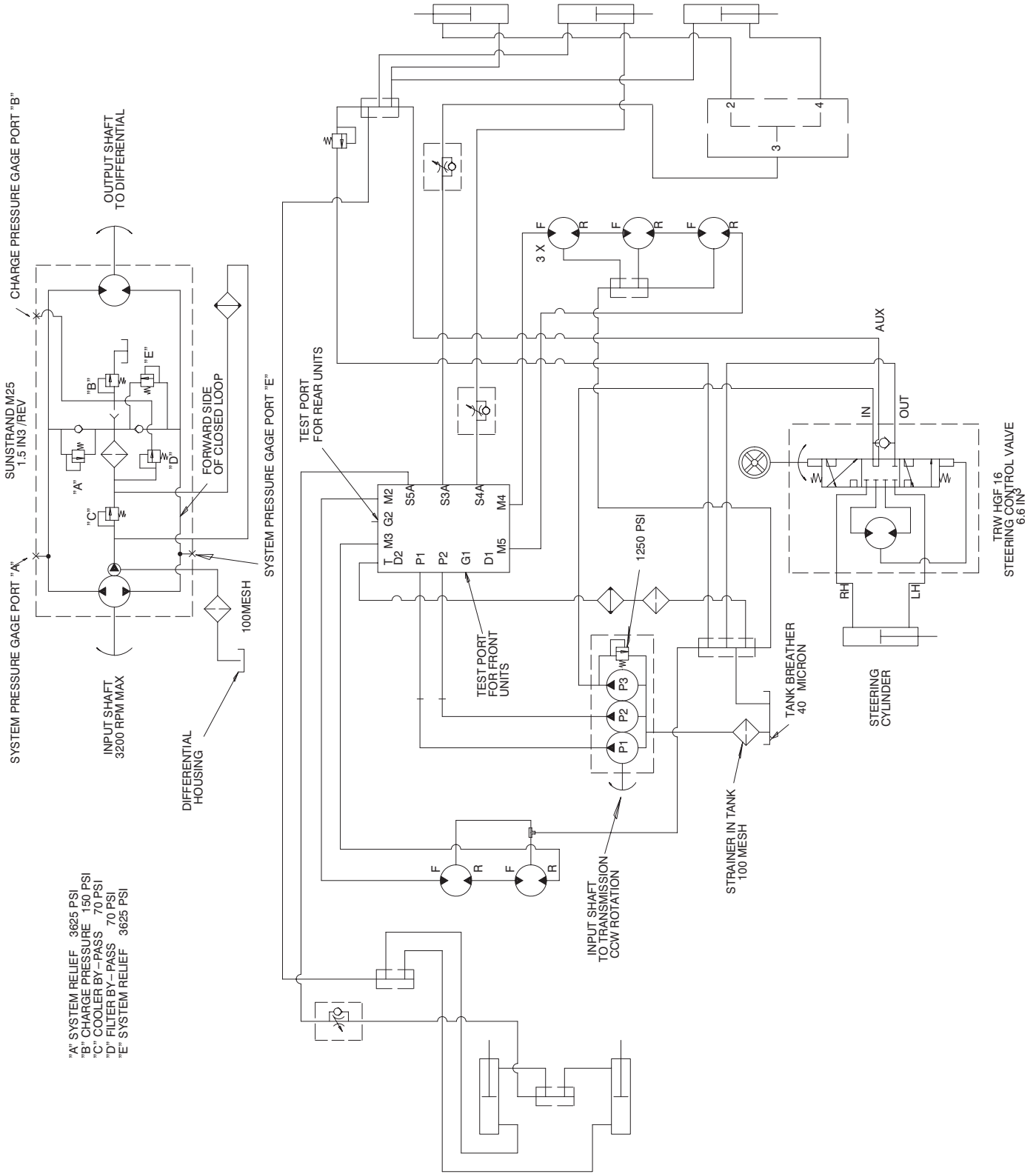
T-3509

Brake Assembly

Ref. No.	Part No.	Qty.	Description	Ref. No.	Part No.	Qty.	Description
1	100-3840	1	Shaft-Axle, Flanged LH	21	100-3846	8	Screw-HSH
*	100-3841	1	Shaft-Axle Flanged RH	22	100-3847	2	Retaining-Bearing
2	100-3842	2	Seal-Oil	23	100-3848	2	O-Ring
3	21-8180	2	Bearing	24	100-3849	2	Cap-Bearing
4	100-3843	2	Shield-Dust	25	100-3850	2	Zerk-Special
5	100-3844	2	Spider-Torque	*	84-8600	1	Set of Linked Brake Shoes
6	21-9390	2	Socket-Screw, Adjusting	*	92-8775	1	Kit-Gasket, Liquid
7	21-9370	2	Screw-Adjusting				
8	21-9380	2	Nut-Pivot				
9	242-34	10	Stud-Flange, Axle				
10	21-8360	2	Clip-Retaining				
11	28-0680	2	Drum-Brake				
13	100-3845	2	Seal-Grease				
14	21-9440	2	Spring-Screw, Adjusting				
15	21-9460	4	Retainer-Brake, Parking				
16	84-8590	4	Shoe and Lining ASM				
17	21-9420	2	Spring-Shoe Return, LH				
18	21-9430	2	Spring-Shoe Return, RH				
19	24-9180	2	Lever-Brake, Parking				

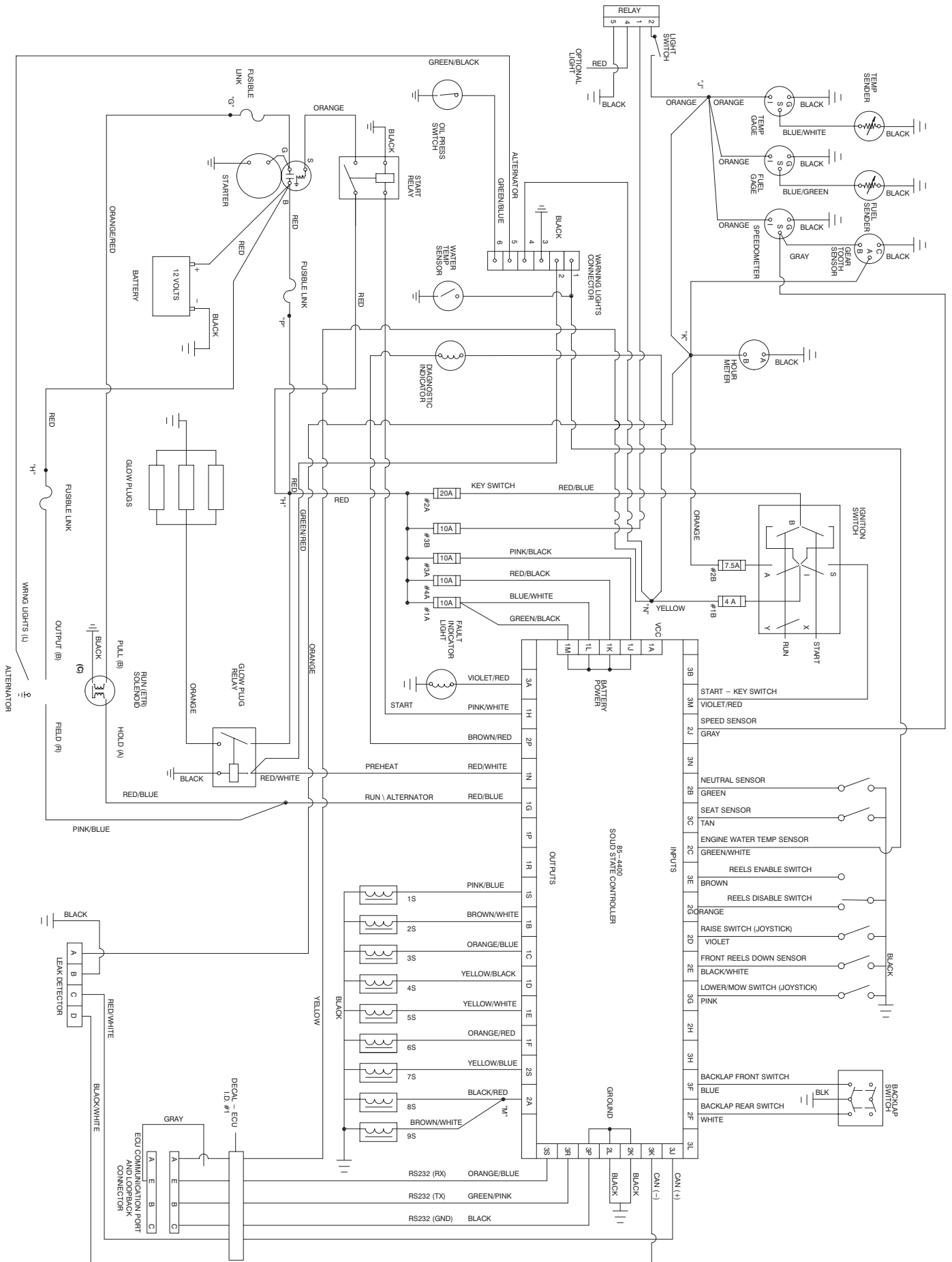
* Not Illustrated

Hydraulic Schematic

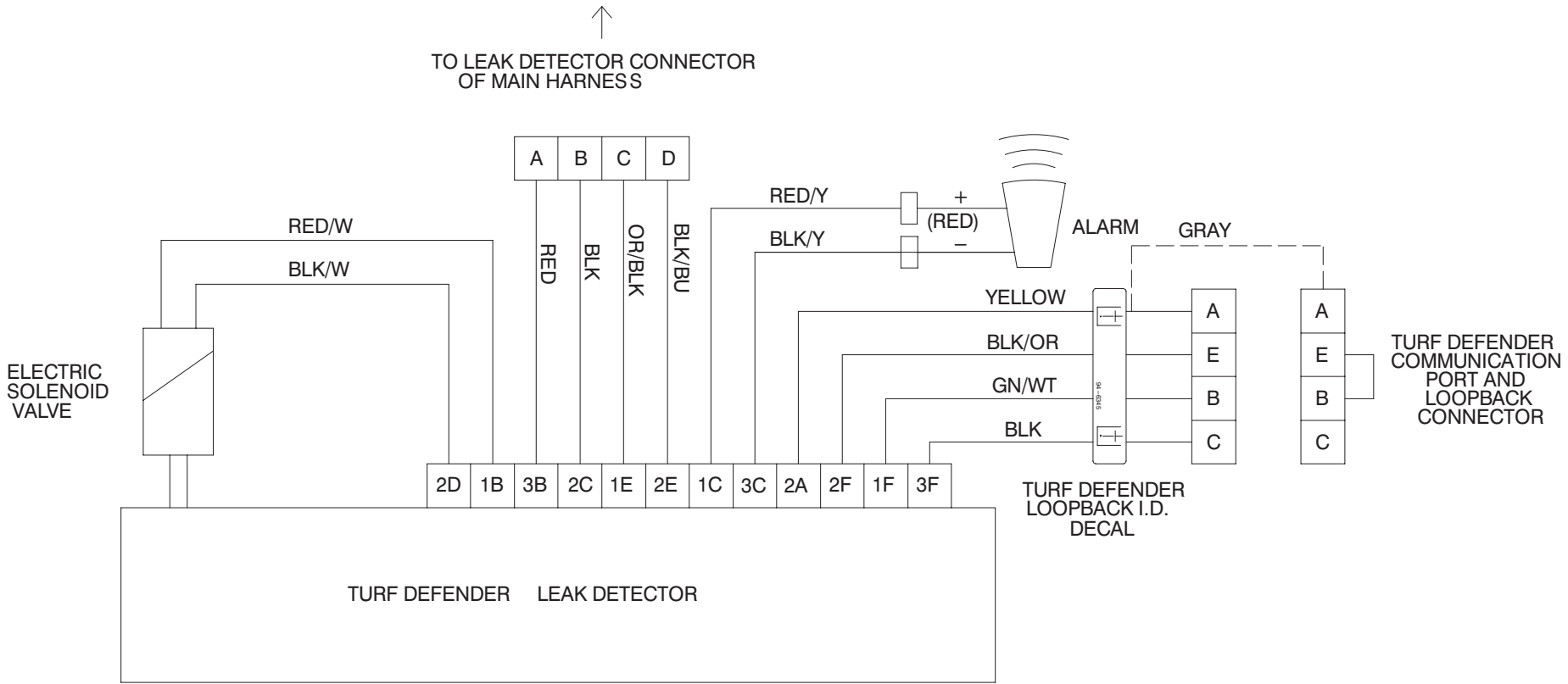


- "A" SYSTEM RELIEF 3625 PSI
- "B" CHARGE PRESSURE 150 PSI
- "C" COOLER BY-PASS 70 PSI
- "D" FILTER BY-PASS 70 PSI
- "E" SYSTEM RELIEF 3625 PSI

Electrical Schematic

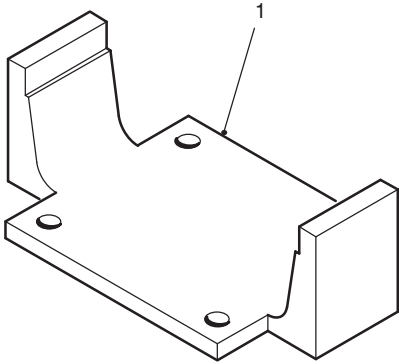


Electrical Schematic – Turfdefender



Special Tools

AXLE TOOL NO. *TOR859920

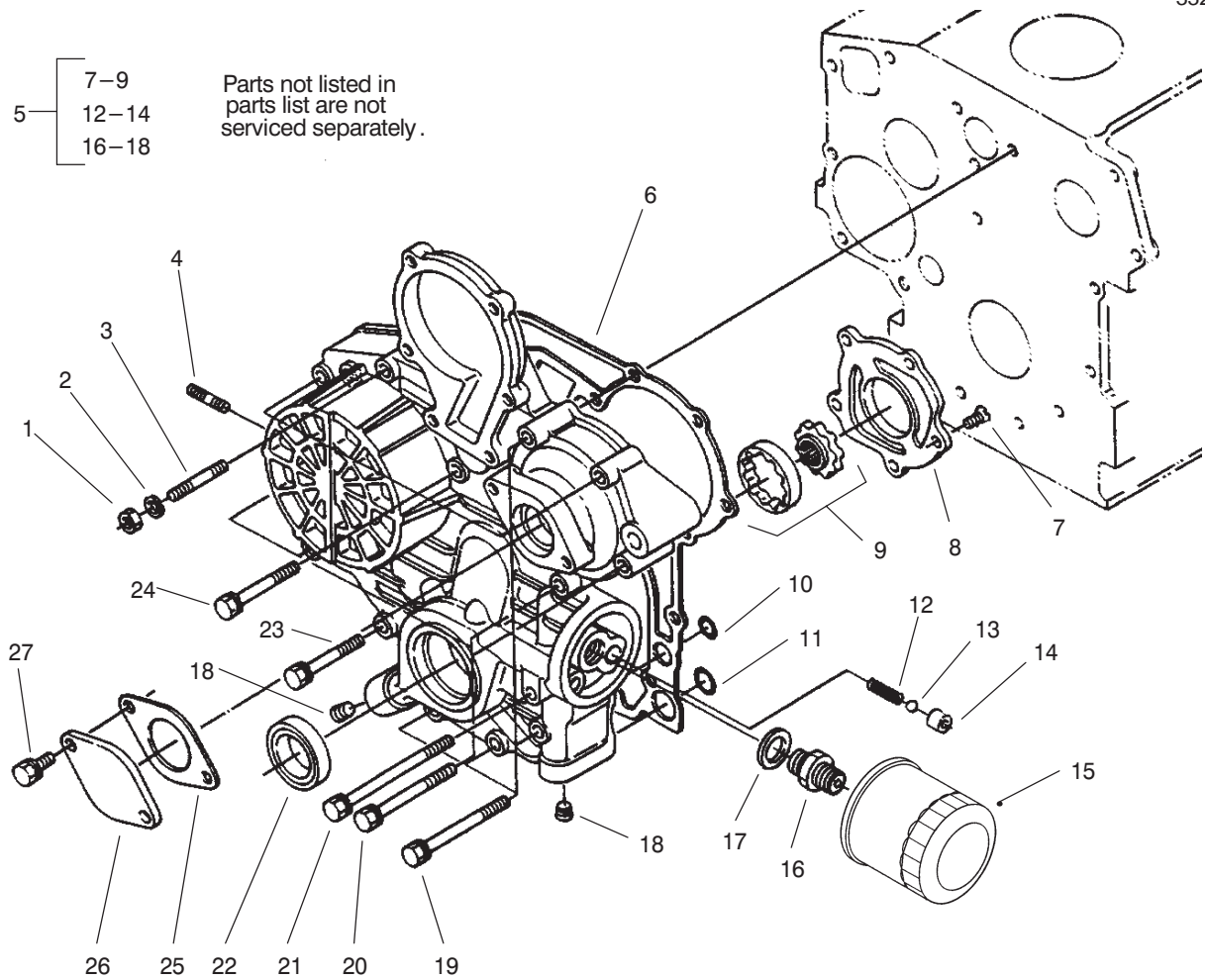


T-1325-1

Ref. No.	Part No.	Description	No. Used
1		Tool-Axle	1

5 — 7-9
12-14
16-18

Parts not listed in parts list are not serviced separately.

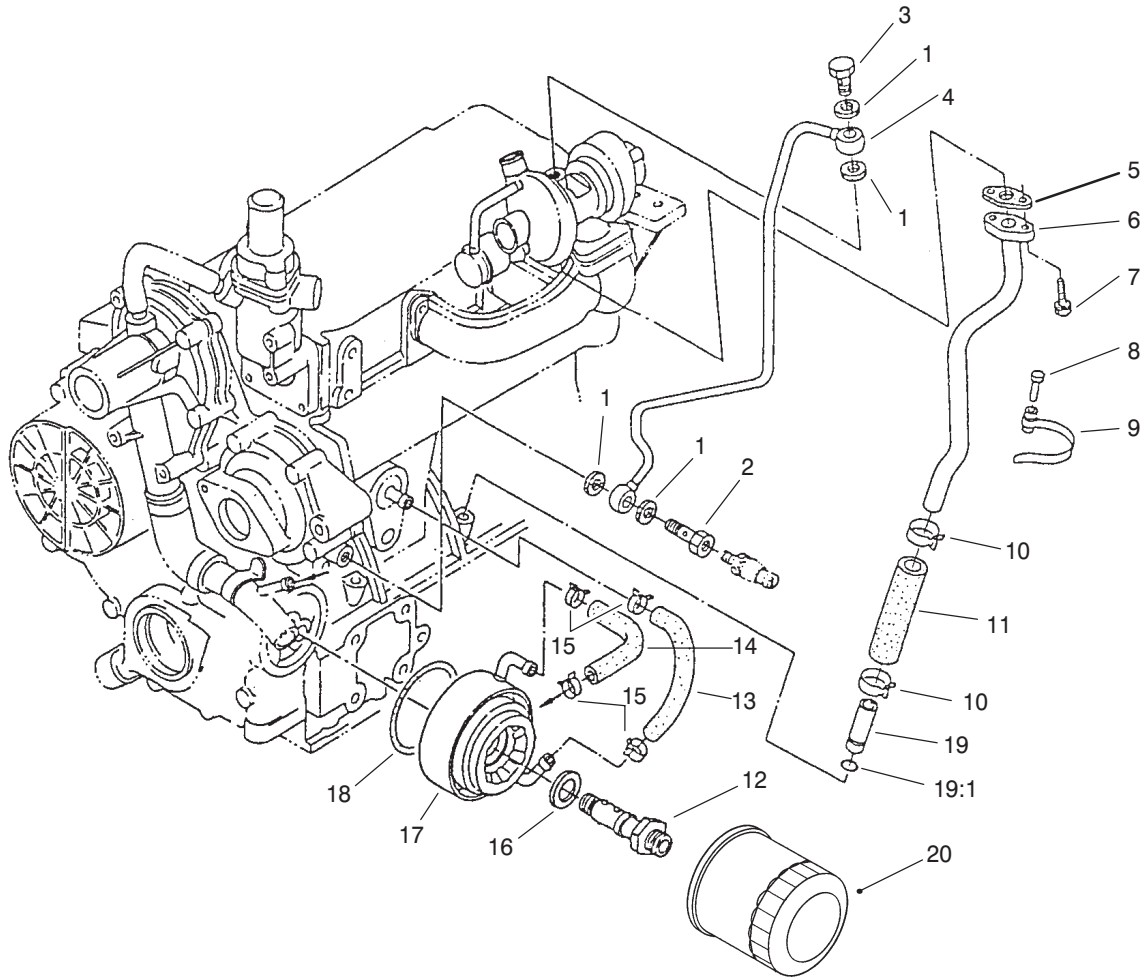


T-2909

Gear Case and Oil Filter Assembly

Ref. No.	Part No.	Qty.	Description
1	98-7572	1	Nut
2	98-9367	1	Washer-Lock
3	98-9363	1	Stud
4	98-9362	2	Stud
5	98-9481	1	Gear Case ASM
6	98-9633	1	Gasket-Case, Gear
7	98-9592	5	Screw
8	98-9541	1	Cover-Pump, Oil
9	98-9540	1	Oil Pump Rotor ASM
10	98-9372	2	O-Ring
11	98-7547	2	O-Ring
12	98-9544	1	Spring
13	98-9380	1	Ball
14	98-9543	1	Seal-Valve
15	99-8384	1	Oil Cartridge ASM
16	98-9388	1	Joint-Pipe
17	98-7562	1	Washer-Flat
18	98-9598	2	Plug
19	98-9356	2	Bolt
20	98-9355	6	Bolt
21	98-9586	1	Bolt
22	98-9482	1	Seal-Oil
23	98-9437	1	Bolt
24	98-7496	3	Bolt
25	98-9684	1	Gasket-Case, Gear

Ref. No.	Part No.	Qty.	Description
26	98-9641	1	Cover
27	98-7692	2	Bolt

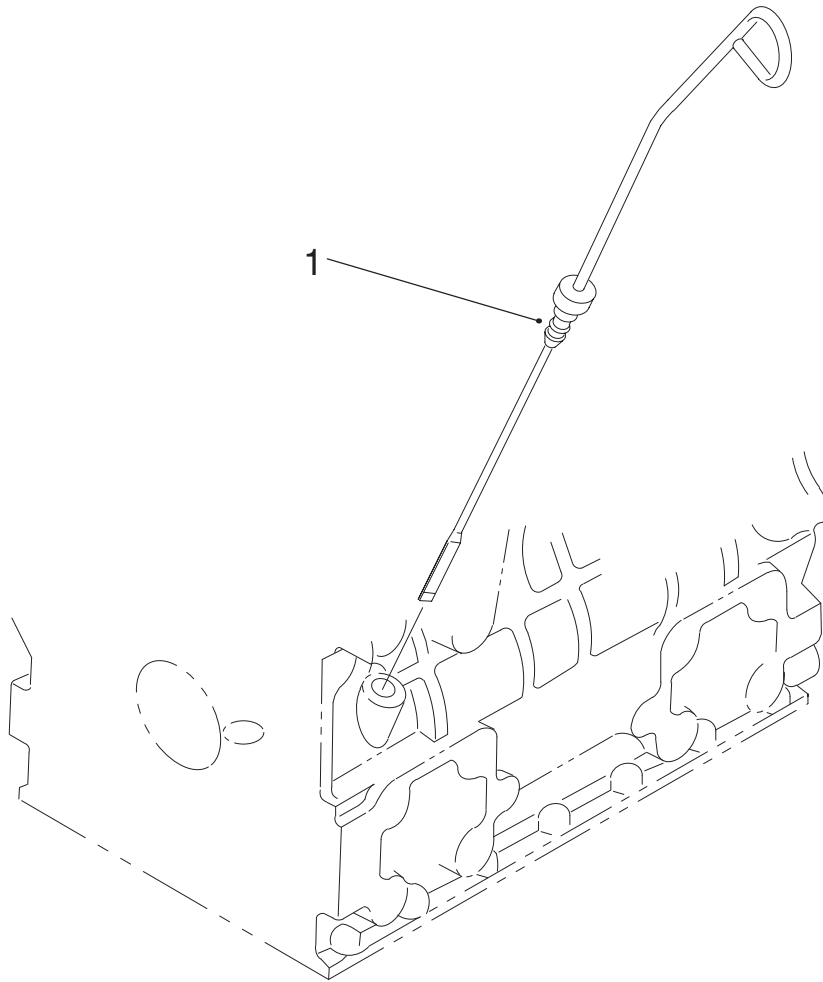


T-3079-1

Filter, Oil Cooler & Pipe Assembly

Ref. No.	Part No.	Qty.	Description
1	99-8346	4	Gasket
2	98-9417	1	Bolt-Eye Joint
3	98-9418	1	Bolt-Eye Joint
4	98-9419	1	Pipe-Oil
5	98-9435	1	Gasket
6	98-9461	1	Pipe-Oil
7	98-7568	2	Bolt
8	98-9591	1	Pin-Band
9	98-9601	1	Clamp-Pipe
10	98-9714	2	Clamp-Hose
11	98-9721	1	Pipe-Oil
12	98-9723	1	ASM-Holder
13	98-9724	1	Pipe-Cooler, Oil
14	98-9578	1	Pipe-Return, Water
15	98-9579	4	Band-Pipe
16	98-9727	1	Collar
17	98-9728	1	ASM-Cooler, Oil
18	98-9729	1	O-Ring
19	99-8383	1	ASM-Pipe, Oil
19:1	98-9722	1	O-Ring
20	99-8384	1	ASM-Cartridge, Oil

Ref. No.	Part No.	Qty.	Description

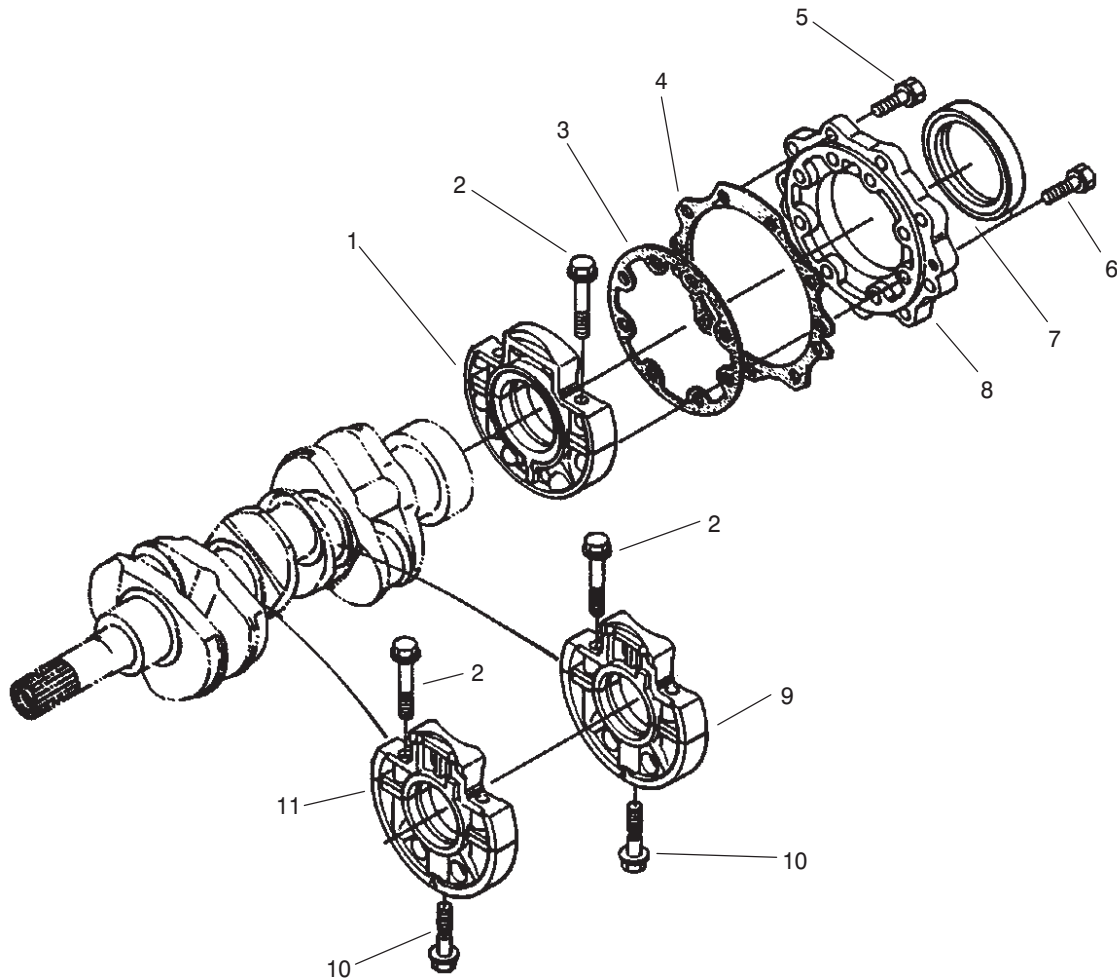


T-3094

Dipstick Assembly

Ref. No.	Part No.	Qty.	Description
1	98-9670	1	Gauge-Oil

Ref. No.	Part No.	Qty.	Description

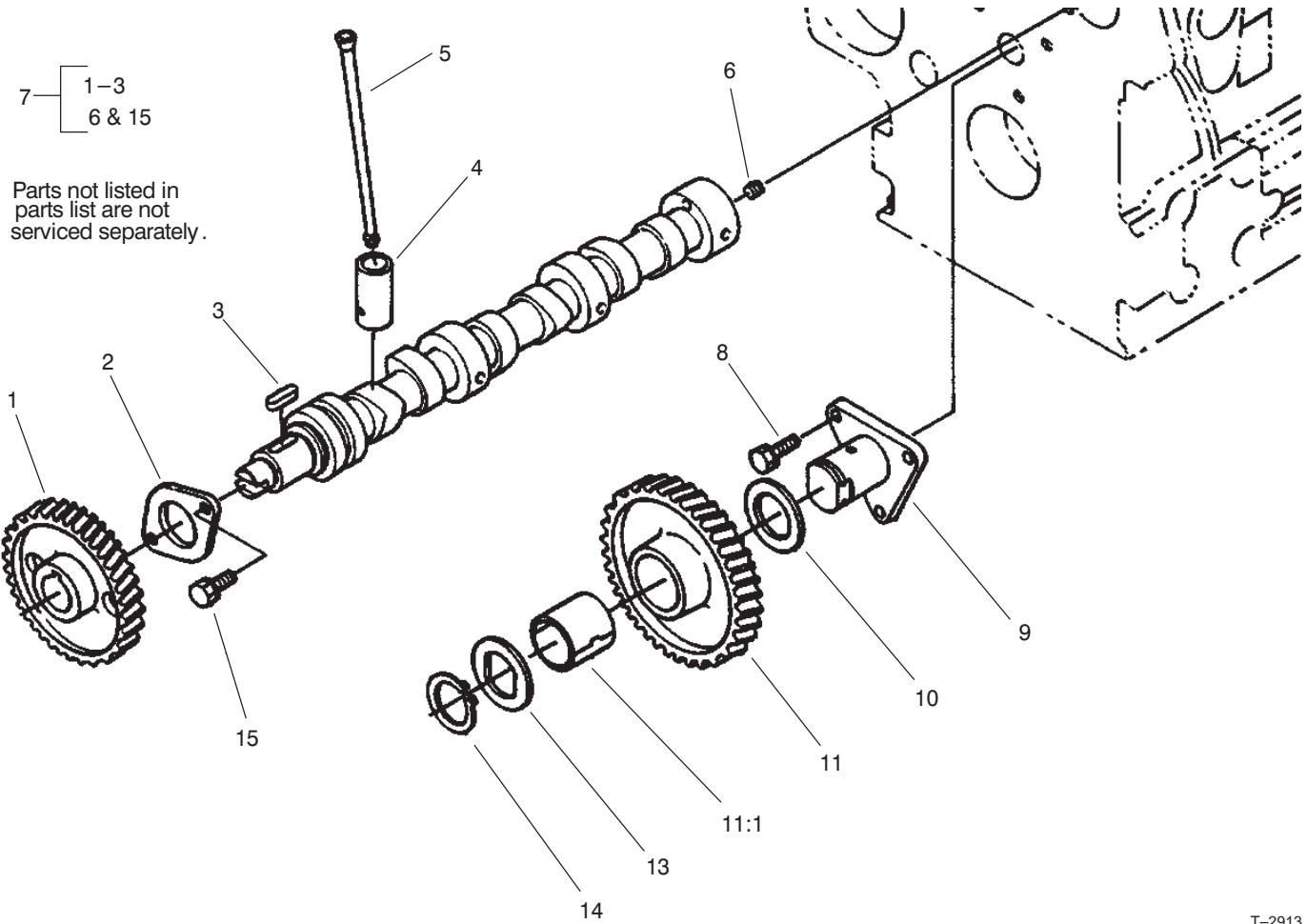


T-2912

Main Bearing Case Assembly

Ref. No.	Part No.	Qty.	Description
1	99-8345	1	Main Bearing Case ASM
2	98-9484	6	Bolt-Case, Bearing
3	98-9634	1	Gasket-Case, Bearing
4	98-9635	1	Gasket-Cover, Bearing Case
5	98-7568	9	Bolt
6	98-9352	8	Bolt
7	98-9483	1	Seal-Oil
8	98-9487	1	Cover-Case, Bearing
9	98-9607	1	Main Bearing Case ASM
10	98-9485	2	Bolt-Case, Bearing
11	98-9606	1	Main Bearing Case ASM

Ref. No.	Part No.	Qty.	Description

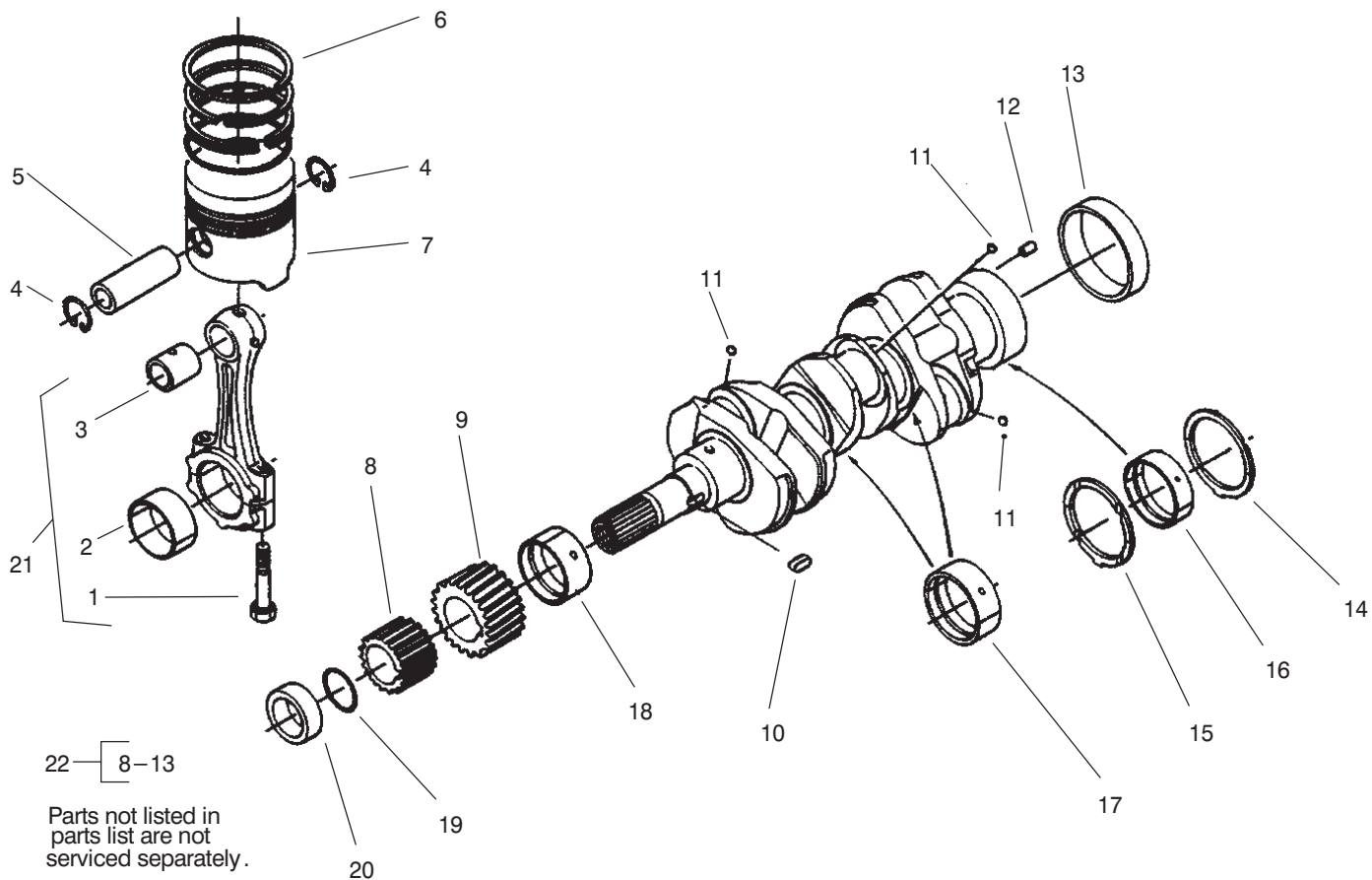


T-2913

Camshaft Assembly

Ref. No.	Part No.	Qty.	Description
1	98-9512	1	Gear-Cam
2	98-9510	1	Stopper-Camshaft
3	98-9378	1	Key-Feather
4	98-9616	6	Tappet
5	98-9509	6	Rod-Push
6	98-7449	1	Screw-Set
7	98-9617	1	Camshaft ASM
8	98-7692	3	Bolt
9	98-9533	1	Shaft-Gear, Idle
10	98-9535	1	Collar-Gear, Idle
11	98-9649	1	Idler Gear ASM
11:1	98-9650	1	Bushing-Gear, Idle
13	98-9536	1	Collar-Gear, Idle
14	98-9534	1	Clip-Circular, Idle Gear
15	98-9351	2	Bolt

Ref. No.	Part No.	Qty.	Description

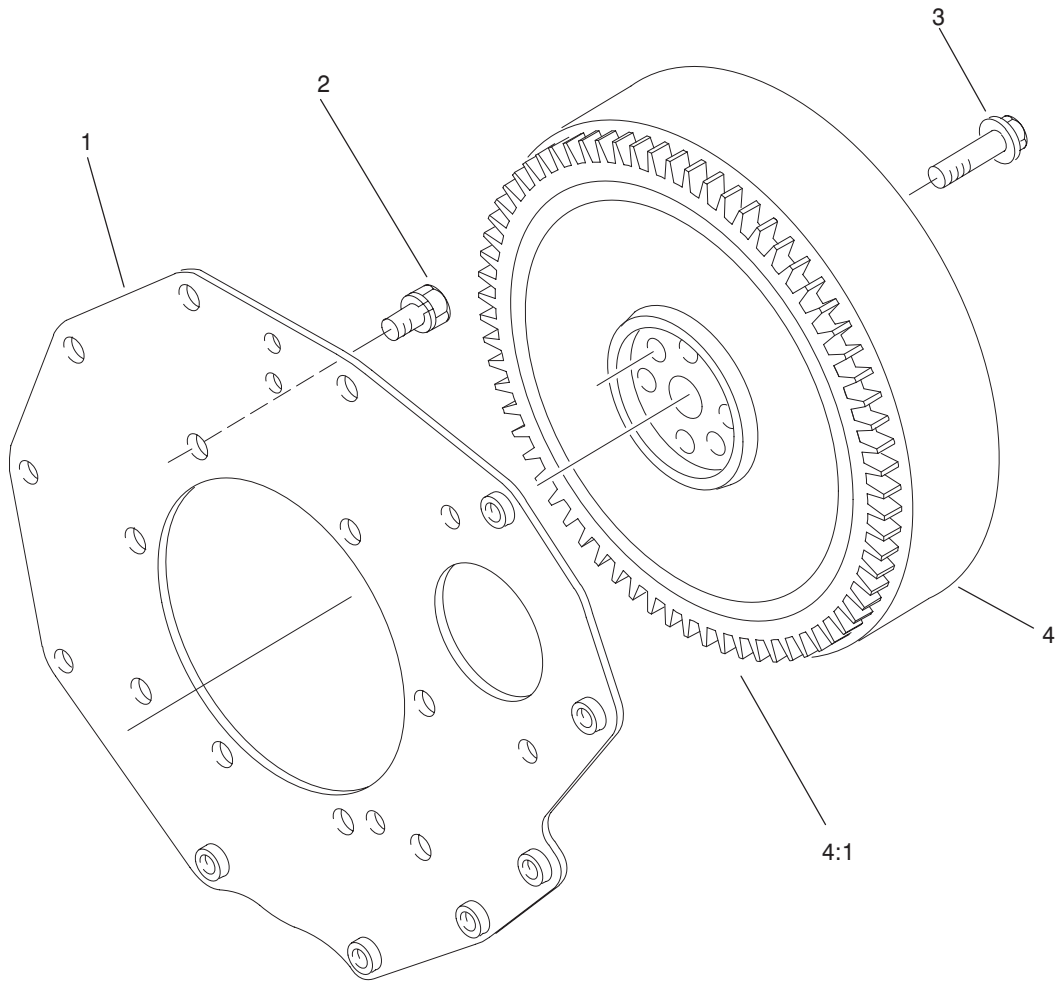


T-2914

Piston and Crankshaft Assembly

Ref. No.	Part No.	Qty.	Description
1	98-9517	6	Bolt-Rod, Connecting
2	98-9518	3	Metal-Crankpin (Std.)
2	98-9519	3	Metal-Crankpin (0.2mm Undersize)
2	98-9520	3	Metal-Crankpin (0.4mm Undersize)
3	98-9515	3	Bushing-Pin, Piston
4	98-9514	6	Clip-Circular, Piston Pin
5	98-9513	3	Pin-Piston
6	98-9618	3	Piston Ring ASM (Std.)
6	98-9619	3	Piston Ring ASM (0.5mm Oversize)
7	98-9469	3	Piston (Std.)
7	98-9470	3	Piston (0.5mm Oversize)
8	98-9542	1	Gear-Drive, Oil Pump
9	98-9532	1	Gear-Crankshaft
10	98-9666	1	Key
11	98-7473	3	Ball
12	98-9375	1	Pin-Straight
13	98-9522	1	Sleeve-Crankshaft
14	98-9413	2	Metal-Side (Std.)
14	98-9414	2	Metal-Side (0.2mm Oversize)

Ref. No.	Part No.	Qty.	Description
14	98-9415	2	Metal-Side (0.4mm Oversize)
15	98-9688	2	Metal-Side (Std.)
15	98-9689	2	Metal-Side (0.2mm Oversize)
15	98-9690	2	Metal-Side (0.4mm Oversize)
16	98-9525	1	Metal-Crankshaft (Std.)
16	98-9526	1	Metal-Crankshaft (0.2mm Undersize)
16	98-9527	1	Metal-Crankshaft (0.4mm Undersize)
17	98-9524	2	Metal-Crankshaft (Std. Set)
17	98-9530	2	Metal-Crankshaft (0.2mm Undersize Set)
17	98-9531	2	Metal-Crankshaft (0.4mm Undersize Set)
18	98-9523	1	Metal-Crankshaft (Std.)
18	98-9528	1	Metal-Crankshaft (0.2mm Undersize)
18	98-9529	1	Metal-Crankshaft (0.4mm Undersize)
19	98-9373	1	O-Ring
20	98-9521	1	Collar-Crankshaft

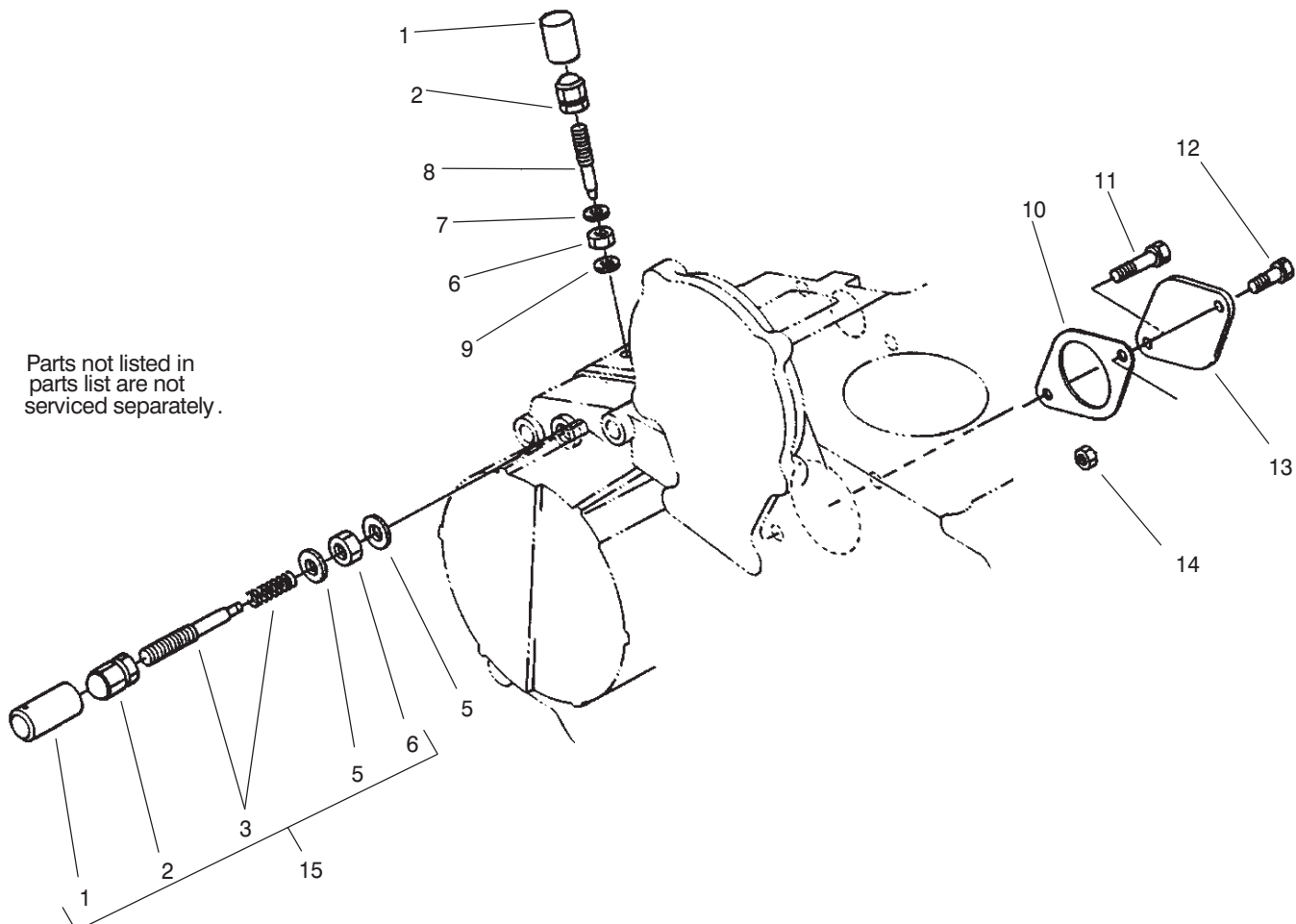


T-2915

Flywheel Assembly

Ref. No.	Part No.	Qty.	Description
1	98-9486	1	Plate-End, Rear
2	98-9392	8	Bolt
3	98-9537	6	Bolt-Flywheel
4	98-9691	1	Flywheel ASM
4:1	98-9394	1	Gear-Ring

Ref. No.	Part No.	Qty.	Description



Parts not listed in parts list are not serviced separately.

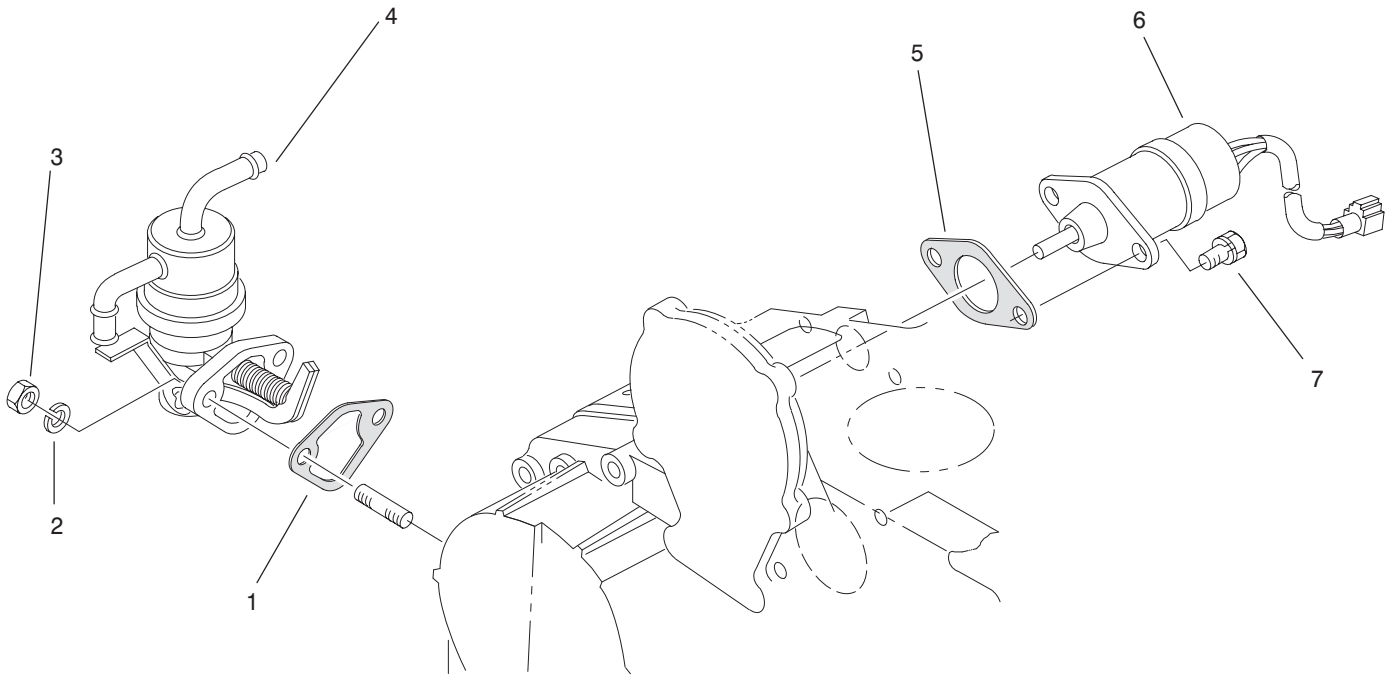
T-2917-1

Engine Stop Lever Assembly

Ref. No.	Part No.	Qty.	Description
†1		2	Lock-Pipe, Fuel Adjust.
2	99-8382	2	Nut-Cap
3	98-9679	1	Adjusting Bolt ASM
5	98-7654	2	Gasket
6	99-8386	2	Nut
7	99-8388	1	Gasket, 10mm Dia
8	98-9557	1	Bolt-Adjusting
9	99-8389	1	Gasket, 14mm Dia.
10	98-9674	1	Packing
11	98-7645	1	Bolt
12	98-9359	1	Bolt
13	98-9640	1	Cover-Pump
14	98-7534	1	Nut
15	98-9678	1	Idle Apparatus ASM

Ref. No.	Part No.	Qty.	Description

† Items must be serviced by a Kubota Authorized Toro Dealer/Distributor.

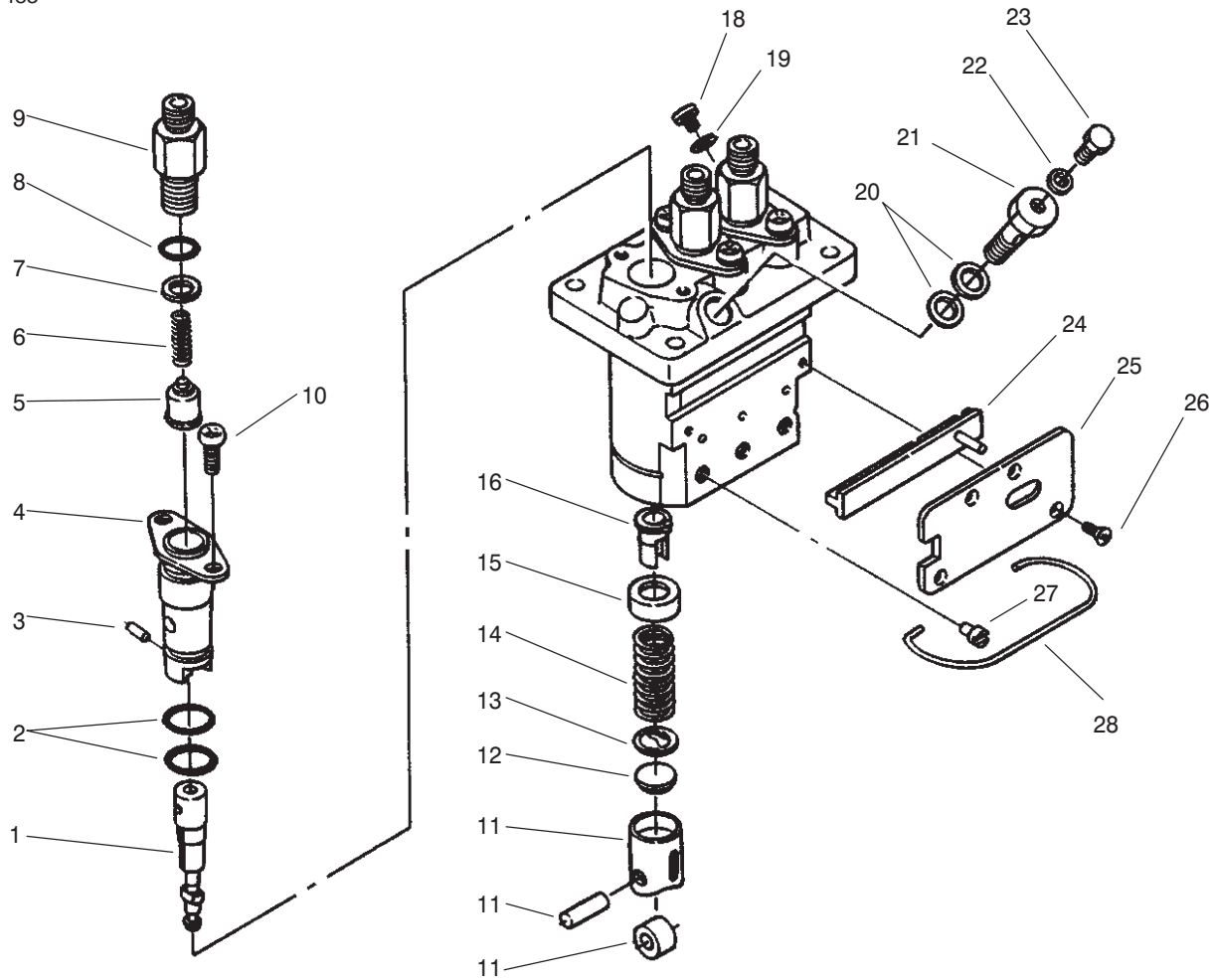


T-2918

Stop Solenoid and Fuel Pump Assembly

Ref. No.	Part No.	Qty.	Description
1	98-9436	1	Gasket-Pump, Fuel
2	98-9367	2	Washer-Lock
3	98-7572	2	Nut
4	98-9677	1	Fuel Pump ASM
5	98-9683	1	Gasket-Cover, Solenoid
6	98-9693	1	Solenoid-Stop
7	98-9351	2	Bolt

Ref. No.	Part No.	Qty.	Description

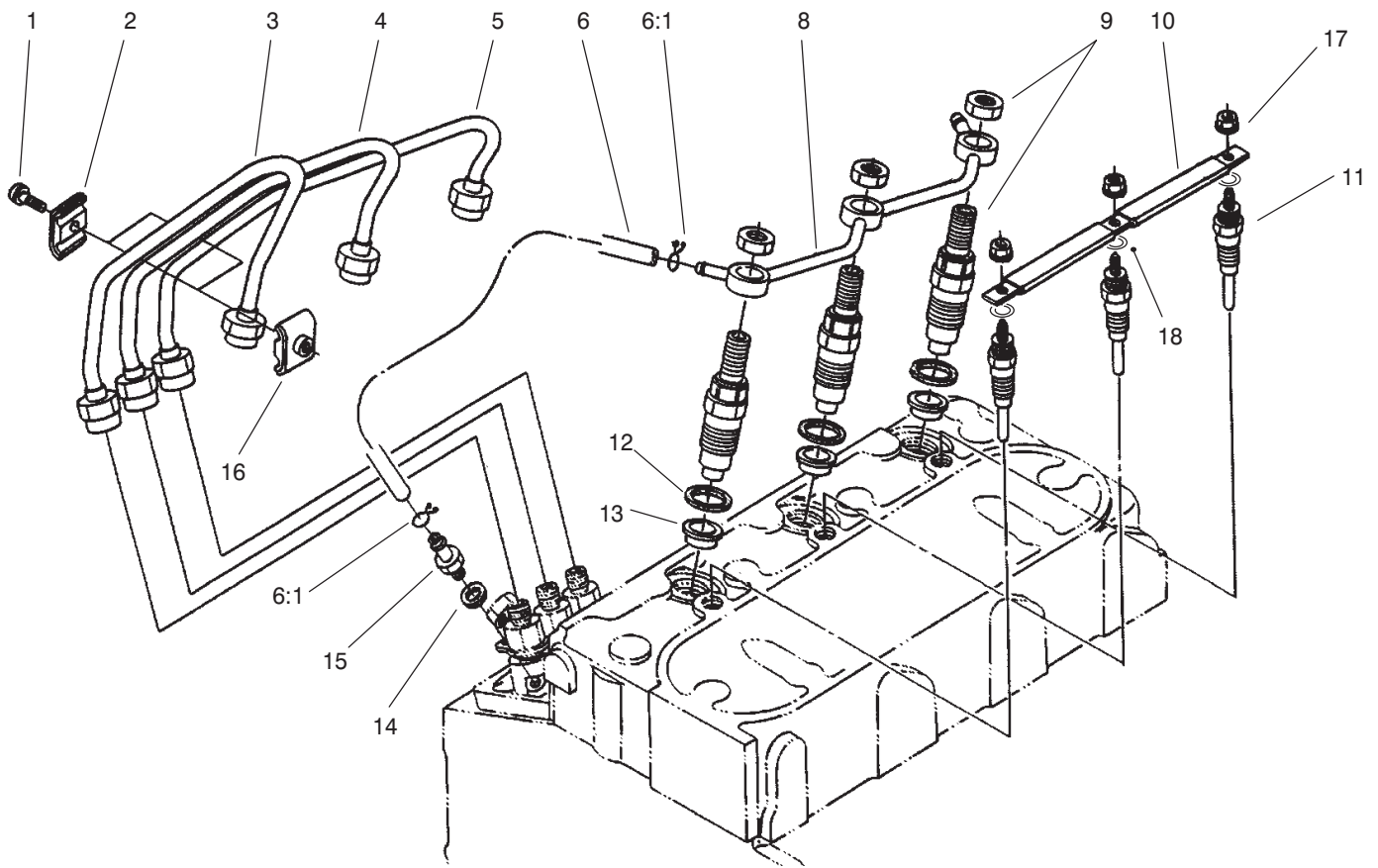


T-2920

Injection Pump Assembly No. 98-9643

Ref. No.	Part No.	Qty.	Description
1	98-9462	3	Element-Pump
2	98-9423	6	O-Ring
3	98-9443	3	Pin-Joint
4	98-9434	3	Flange-Sleeve
5	98-9421	3	Valve-Delivery
6	98-9424	3	Spring-Valve, Delivery
7	98-9425	3	Gasket-Valve, Delivery
8	98-9447	3	O-Ring
9	98-9652	3	Holder-Valve, Delivery
10	98-9452	6	Screw
11	98-9422	3	Tappet ASM
12	98-9433	3	Shim
13	98-9429	3	Seat-Spring, Lower
14	98-9428	3	Spring-Plunger
15	98-9427	3	Seat-Spring, Upper
16	98-9432	3	Sleeve-Control
18	98-9466	1	Plug
19	98-9451	1	Gasket
20	98-9445	2	Gasket
21	98-9464	1	Bolt-Joint
22	98-9446	1	Gasket
23	98-9430	1	Screw
24	98-9463	1	Rack-Control
25	98-9465	1	Plate
26	98-9442	4	Screw-Countersunk

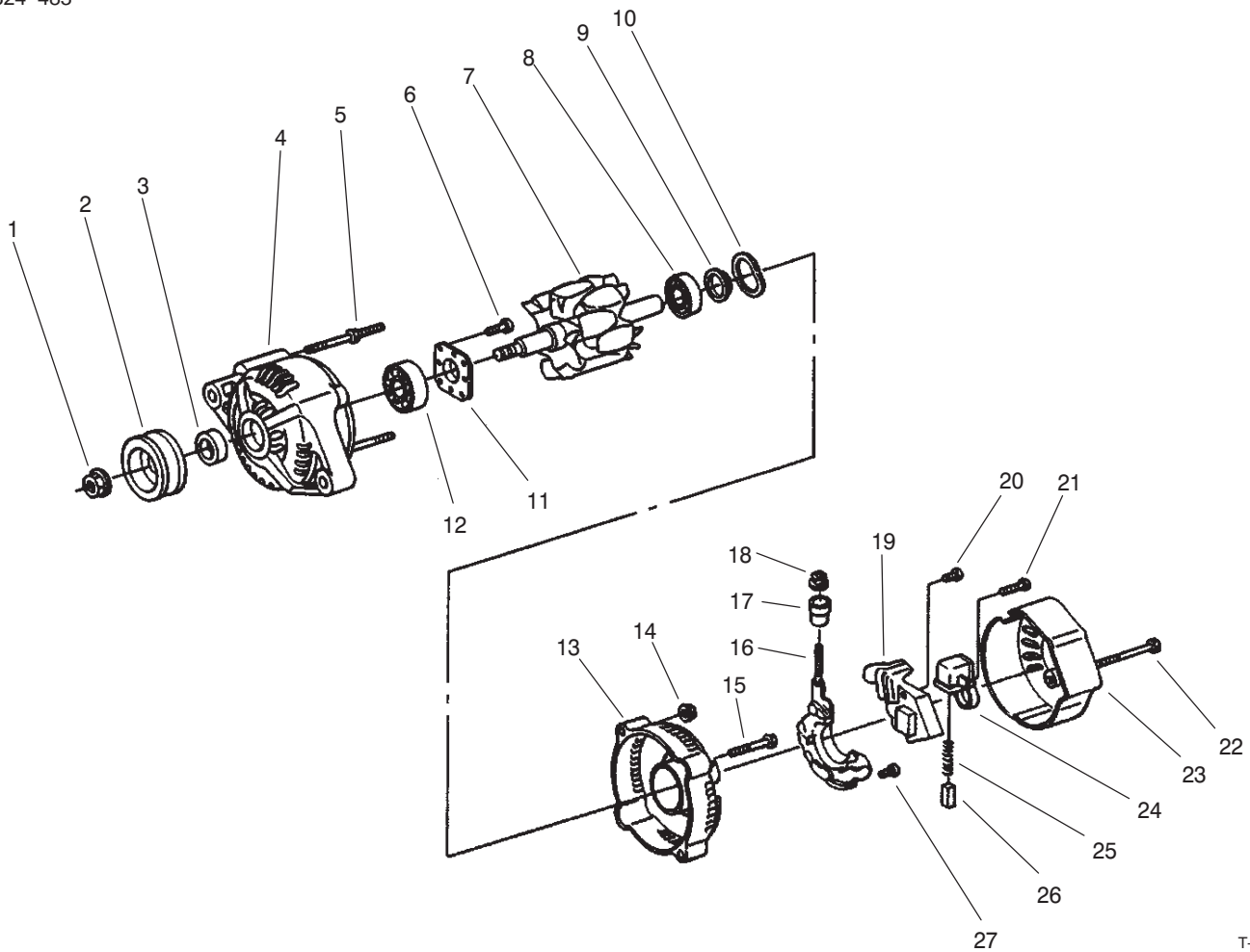
Ref. No.	Part No.	Qty.	Description
27	98-9426	3	Pin-Guide, Tappet
28	98-9450	1	Pin-Clamp



T-2923

Nozzle Holder and Glow Plug Assembly

Ref. No.	Part No.	Qty.	Description	Ref. No.	Part No.	Qty.	Description
1	98-7684	2	Screw w/washer				
2	98-7683	2	Clamp-Pipe				
3	98-9653	1	Pipe-Injection				
4	98-9654	1	Pipe-Injection				
5	98-9655	1	Pipe-Injection				
6	98-9420	1	Overflow Pipe ASM				
6:1	98-7671	2	Clip-Pipe				
8	98-9620	1	Overflow Pipe ASM				
9	98-9468	3	Nozzle Holder ASM				
10	98-9631	1	Cord-Plug, Glow				
11	98-9695	3	Plug-Glow				
12	98-7676	3	Gasket				
13	98-7677	3	Seat-Heat				
14	98-7654	1	Gasket				
15	98-9431	1	Screw-Bleed, Air				
16	98-7682	2	Clamp-Pipe				
17	99-8377	3	Nut-Flange				
18	99-8378	3	Washer-Plain				

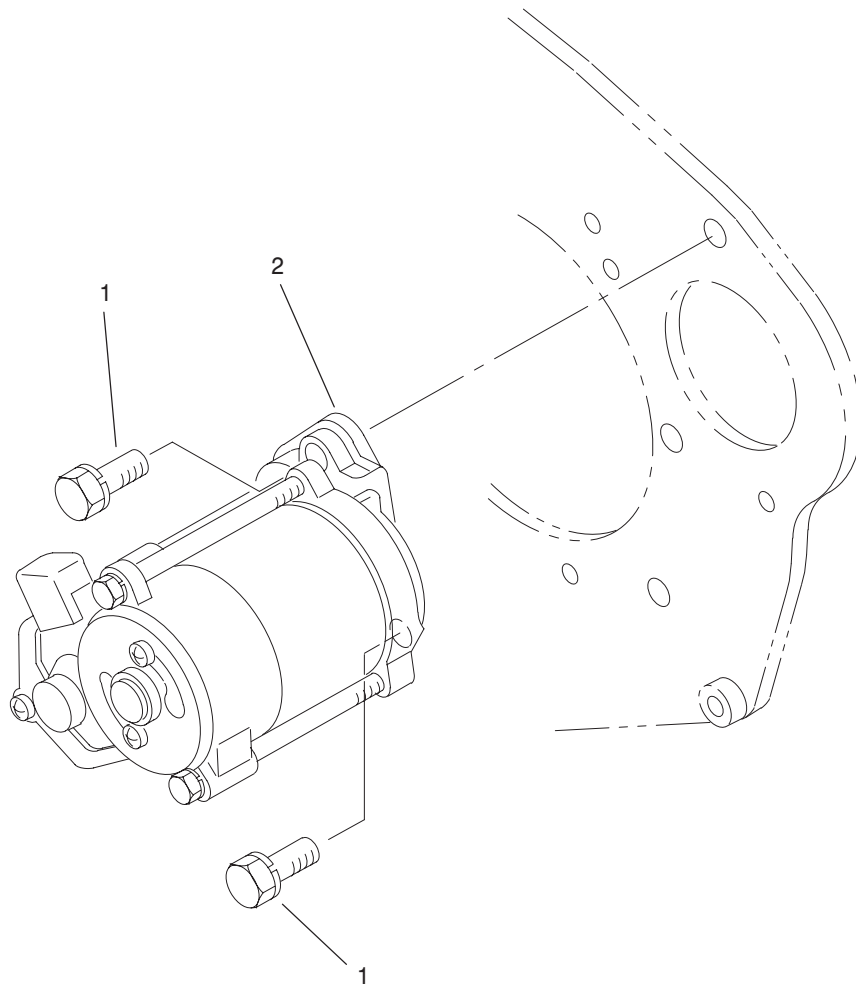


T-2927

Alternator Assembly No. 98-9474

Ref. No.	Part No.	Qty.	Description
1	98-7708	1	Nut
2	98-9453	1	Pulley-Dynamo
3	98-7709	1	Collar
4	99-7714	1	Frame-End, Drive
5	98-7717	2	Bolt-Through
6	98-7716	4	Screw-RH
7	98-7710	1	Rotor
8	98-7712	1	Bearing-Ball
9	98-7711	1	Cover-Bearing
10	98-7713	1	Washer-Thrust
11	98-7715	1	Plate-Retainer
12	98-7718	1	Bearing-Ball
13	98-7719	1	Frame-End
14	98-7730	2	Nut
15	98-7731	2	Bolt
16	98-7721	1	Rectifier ASM
17	98-7722	1	Bushing-Insulation
18	98-7732	1	Nut
19	98-7733	1	Regulator ASM
20	98-7726	2	Screw-RH
21	98-7728	1	Screw-RH
22	98-7729	3	Bolt
23	98-7720	1	Cover-End
24	98-7723	1	Holder-Brush
25	98-7725	2	Spring-Brush

Ref. No.	Part No.	Qty.	Description
26	98-7724	2	Brush
27	98-7727	6	Screw-RH

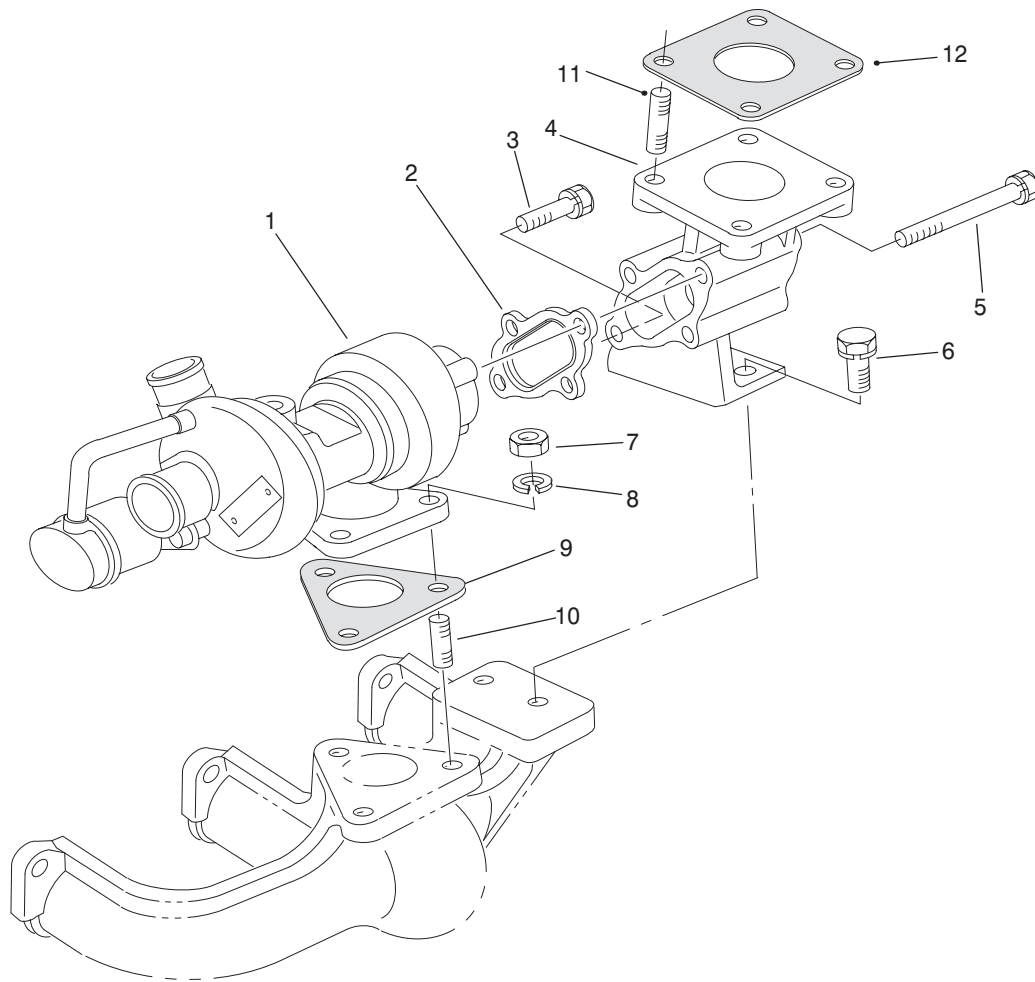


T-2928

Starter Mount Assembly

Ref. No.	Part No.	Qty.	Description
1	98-7697	2	Bolt
2	98-9705	1	Starter Asm

Ref. No.	Part No.	Qty.	Description



T-3078

Turbo Charger Assembly

Ref. No.	Part No.	Qty.	Description	Ref. No.	Part No.	Qty.	Description
1	99-8332	1	ASM- Charger, Turbo				
2	99-8333	1	Gasket				
3	99-8334	1	Bolt				
4	99-8335	1	FLange-Muffler				
5	99-8336	3	Bolt				
6	98-7610	2	Bolt				
7	98-7534	3	Nut				
8	99-8339	3	Washer-Lock				
9	99-8340	1	Gasket				
10	99-8341	3	Stud				
11	99-8342	4	Stud				
12	99-8343	1	Gasket-Muffler				

