



## Reelmaster® 5400D 4WD

### Traction Unit

Model No. 03544-200000201 and Up

## Parts Catalog

---

### Ordering Replacement Parts

To order replacement parts, please supply: the part number, the quantity, and the description of each part desired.

### Understanding Reference Numbers

Each identified part in an illustration has a reference number. The reference number for a part also appears in the parts list, along with other information about the part.

This catalog uses two special reference number formats, one to indicate parts in a service assembly and another to indicate the quantity of a given part in an illustration.

### Service Assembly Reference Numbers

Parts in service assemblies have reference numbers in the form **a:b**. The **a** represents the reference number of the entire service assembly and the **b** represents a sequential number unique to each part within the service assembly.

For example, a wheel assembly might be identified by reference number **6**, the tire by **6:1**, the valve by **6:2**, and the wheel by **6:3**. When you order the assembly identified by reference number **6**, you receive all parts identified by reference numbers **6:1**, **6:2**, and **6:3**. However, you may also order any part individually.

Reference numbers of this type appear in illustrations and in part lists.

### Reference Numbers Indicating Quantity

In an illustration, if a reference number indicates more than one part, the reference number has the form **nX y**. The **n** represents the quantity of the part, the **X** is the multiplication symbol, and the **y** represents the reference number.

For example, in an illustration, the reference number **2X 37** means that two of the parts identified by reference number **37** are indicated.

## Contents

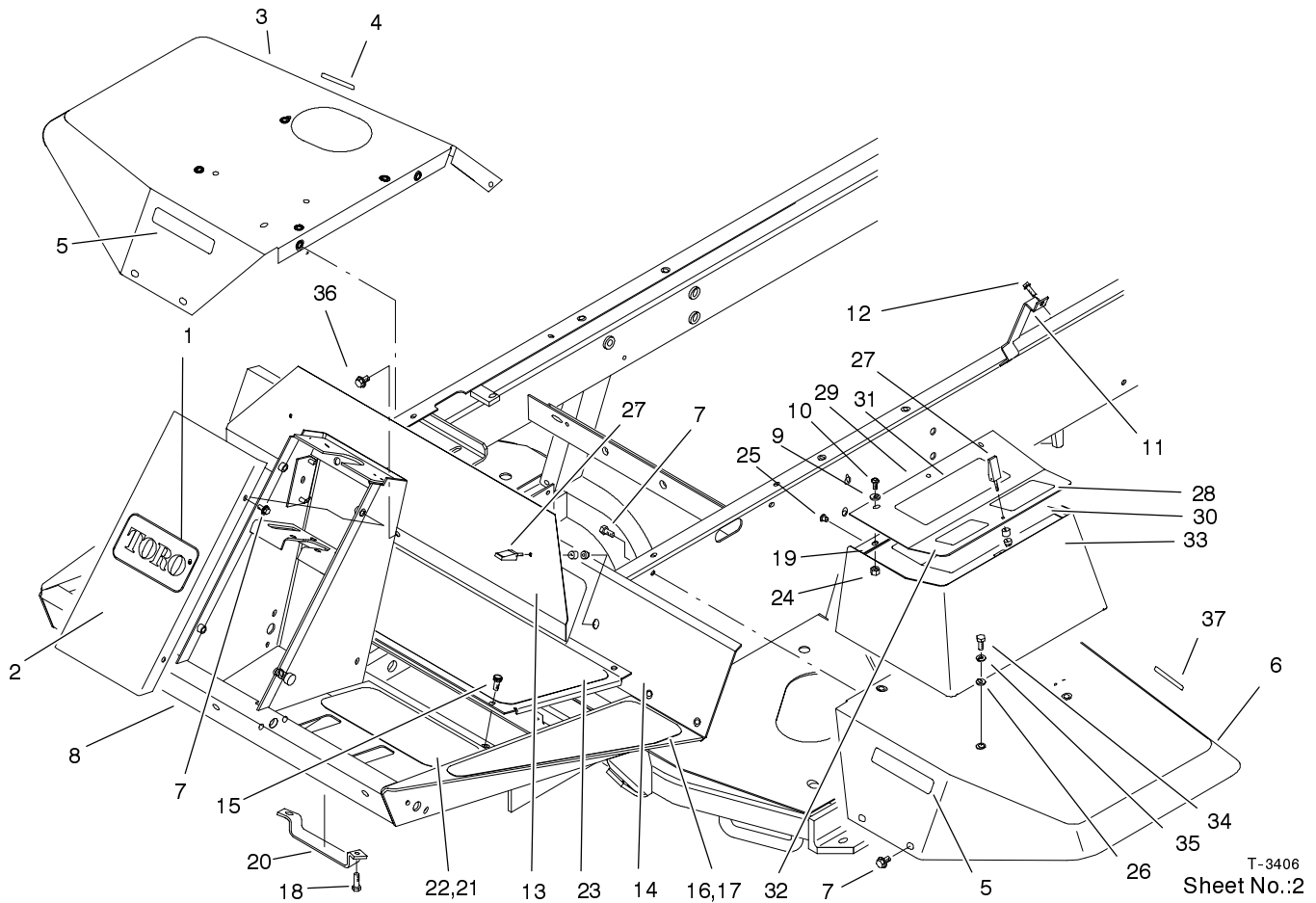
Description	Page	Description	Page
Frame And Body Assembly .....	4	Rear Axle Assembly No. 98-3925 (Continued)	
Steering Tower Assembly .....	5	Bevel Gear Case Assembly .....	52
Steering Valve Assembly No. 75-0600 .....	6	Rear Axle Assembly No. 98-3925 (Continued)	
Traction And Brake Pedal Assembly .....	7	Bevel Gear Shaft Assembly .....	53
Seat Frame And Throttle Assembly .....	8	Rear Axle Assembly No. 98-3925 (Continued)	
Seat Assembly .....	9	Axle Case Assembly .....	54
Seat Suspension Assembly No. 75-3000 .....	10	Rear Axle Assembly No. 98-3925 (Continued)	
Control Console Assembly .....	11	Axle Case Assembly .....	55
Hydraulic Filter And Reservoir Assembly .....	13	Driveshaft, Clutch Housing and Bearing Assembly	
Fuel Tank Assembly .....	15	.....	56
Fuel Filter Assembly No. 99-8351 .....	16	Driveshaft Assembly No. 83-5190 .....	57
Front Axle Assembly .....	17	Clutch Housing Assembly .....	58
Transmission Support And Transmission Assembly		R.O.P.S. Assembly .....	59
.....	18	Axle Assembly No. 99-6981-03 .....	60
Transmission Assembly No. 75-0012 .....	19	Brake Assembly .....	62
Traction Control Assembly .....	21	Special Tools .....	63
Gear Pump Installation Assembly .....	22	Hydraulic Schematic .....	64
Gear Pump No. 98-9796 .....	23	Electrical Schematic .....	65
Engine Installation Assembly .....	24	Electrical Schematic - Turfdefender .....	66
Muffler And Pump Drive Assembly .....	25	Crankcase Assembly .....	67
Engine Components Assembly .....	26	Oil Pan Assembly .....	68
Air Cleaner Assembly No. 98-4517 .....	27	Cylinder Head Assembly .....	69
Water/Fuel Separator Assembly No. 98-9305 .	28	Gear Case and Oil Filter Assembly .....	70
Engine Fan And Clutch Installation Assembly .	29	Filter, Oil Cooler & Pipe Assembly .....	71
Radiator Frame Assembly .....	30	Head Cover Assembly .....	72
Oil Cooler Assembly .....	31	Dipstick Assembly .....	73
Frame And Body Assembly .....	32	Main Bearing Case Assembly .....	74
Hydraulic Control Block And Hoses Assembly .	33	Camshaft Assembly .....	75
Hydraulic Manifold Assembly No. 98-4579 ....	34	Piston and Crankshaft Assembly .....	76
Front Hydraulic Manifold Assembly .....	35	Flywheel Assembly .....	78
Rear Hydraulic Manifold Assembly .....	36	Fuel Camshaft Assembly .....	79
Reel Motors Assembly .....	37	Engine Stop Lever Assembly .....	80
Reel Motor Assembly No. 93-1375 .....	38	Stop Solenoid and Fuel Pump Assembly .....	81
Carrier Frame Assembly .....	39	Injection Pump Assembly .....	82
Hydraulic Cylinder Assembly No. 93-9310 ....	40	Injection Pump Assembly No. 98-9643 .....	83
Hydraulic Cylinder Assembly No. 99-6986 ....	41	Governor Assembly .....	84
Front Lift Arms Assembly .....	42	Speed Control Plate Assembly .....	85
Rear Lift Arm Installation Assembly .....	43	Nozzle Holder and Glow Plug Assembly .....	86
Hydraulic Cylinder Assembly No. 93-9311 ....	44	Nozzle Holder Assembly 98-9468 .....	87
Rear Lift Arm Assembly .....	45	Alternator and Pulley Assembly .....	88
Rear Axle Support Assembly .....	46	Alternator Assembly No. 98-9474 .....	89
4WD Rear Axle Assembly .....	47	Starter Mount Assembly .....	90
Hydraulic Cylinder Assembly No. 98-8163 ....	48	Starter Assembly No. 98-9705 .....	91
Rear Axle Assembly No. 98-3925		Water Flange and Thermostat Assembly .....	92
Bevel Pinion Shaft Assembly .....	49	Water Pump Assembly .....	93
Rear Axle Assembly No. 98-3925 (Continued)		Valve and Rocker Arm Assembly .....	94
Differential Assembly .....	50	Exhaust Manifold and Gasket Assembly .....	95
Rear Axle Assembly No. 98-3925 (Continued)		Turbo Charger Assembly .....	96
Axle Support Assembly .....	51		

## Part Description Abbreviations

Part descriptions in this catalog may include the following abbreviations.

<b>Abbreviation</b>	<b>Meaning</b>	<b>Abbreviation</b>	<b>Meaning</b>
AR .....	as required	INC .....	incorporated
ASM .....	assembly	LH .....	left hand
CARR .....	carriage	NI .....	nylon insert
DEG .....	degrees	PPH .....	Phillips pan head
FH .....	flat head	PTH .....	Phillips truss head
GA .....	gauge	PTO .....	power take off
HF .....	hex flange	RH .....	right hand
HH .....	hex head	SFH .....	slotted fillister head
HHF .....	hex head flange	SHH .....	slotted hex head
HLH .....	hex lag head	SQH .....	square head
HJ .....	hex jam	SHWH .....	slotted hex washer head
HOC .....	height-of-cut	SPH .....	slotted pan head
HS .....	hex socket	SRH .....	slotted round head
HSBH .....	hex socket button head	STD .....	standard
HSFH .....	hex socket flat head	TAP .....	self tapping
HSH .....	hex socket head	TTH .....	Torx truss head
HWH .....	hex washer head	WH .....	wing head
HWHTF .....	hex washer head thread forming		

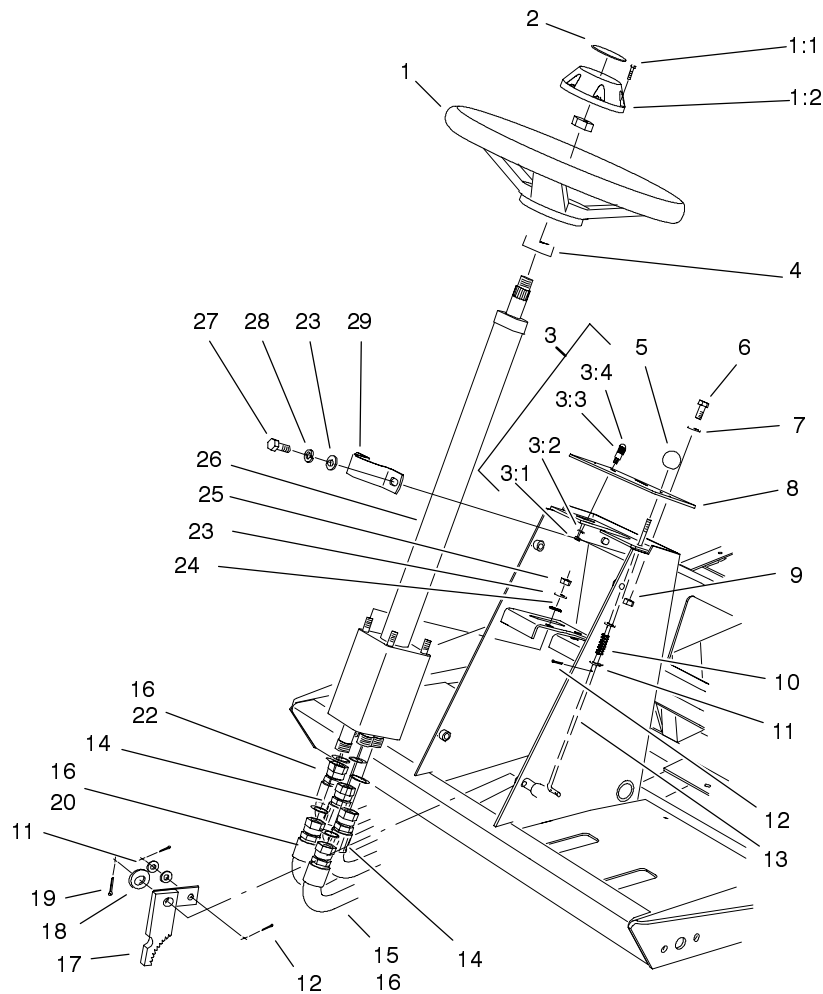




## Frame And Body Assembly

Ref. No.	Part No.	Qty.	Description
1	62-5550	1	Decal
2	75-1420-01	1	Cover-Front, Tower
3	93-7579	1	Fender-RH
4	93-6686	1	Decal-Oil, Hydraulic
5	93-6689	2	Decal - No Riders
6	75-3860	1	Fender-LH
7	3234-14	14	Screw-HHF
9	3256-1	3	Washer-Flat
10	3258-166	3	Screw
11	98-4572	1	Bracket-Clamp, Hose
12	32144-14	2	Screw-HWH
13	75-1390-01	1	Cover-Access, Front
14	75-1410-01	1	Plate-Access, Floor
15	3234-7	1	Screw-HHF
15	75-6840	4	Knob - Knurled
16	75-0650	1	Tread-Footrest, LH
17	75-0640	1	Tread-Footrest, RH
18	322-4	2	Screw-HH
19	75-5780	1	Hinge-Steel
20	93-3626	1	Bracket - Hose
21	75-0620	1	Tread-Foot, LH
22	75-0610	1	Tread-Foot, RH
23	75-0630	1	Tread-Foot, Center
24	32128-33	3	Nut-HF
25	93-8744	3	Pop - Rivet
26	52-2900	4	Washer

Ref. No.	Part No.	Qty.	Description
27	74-5950	3	Latch-Swell
28	93-6698	1	Decal - Towing
29	75-6260-03	1	Cover-Box, Tool
30	95-0832	1	Decal - Service
31	93-8051	1	Decal-Slopes
32	88-6700	1	Decal - Ansi
33	75-5810-03	1	Box-Tool
34	322-3	4	Screw-HH
35	3256-3	4	Washer-Flat
36	3234-5	1	Screw-HHF
37	93-6680	1	Decal - Diesel Only



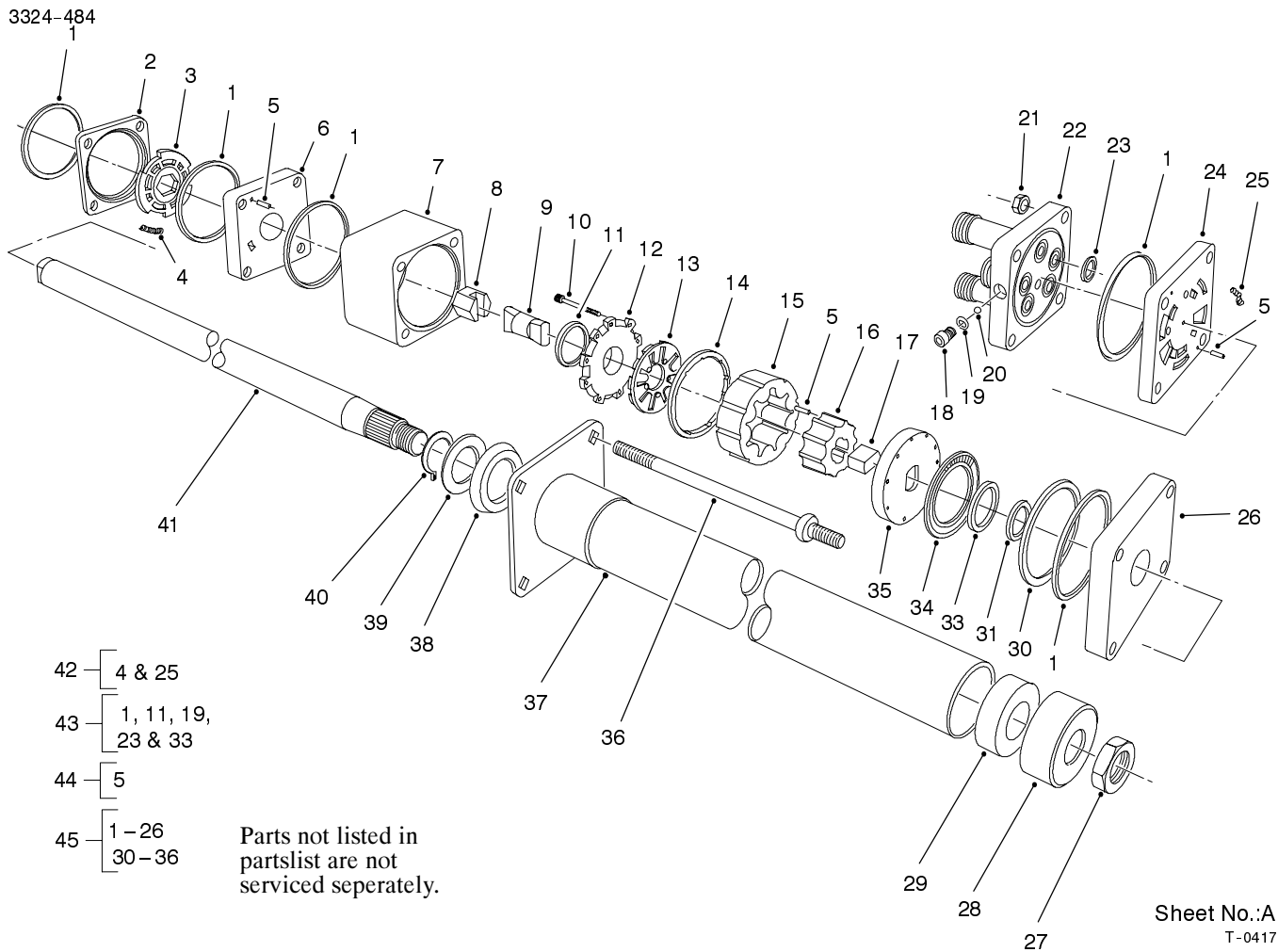
Sheet No.:3

T-3407

## Steering Tower Assembly

Ref. No.	Part No.	Qty.	Description	Ref. No.	Part No.	Qty.	Description
1	75-0560	1	Wheel-Steering	20	75-5940	1	Hose
1:1	32144-21	1	Screw	22	75-6250	1	Hose
1:2	68-5140	1	Cap-Wheel, Steering	23	3256-23	6	Washer-Flat
2	68-5370	1	Decal - Toro	24	3255-8	1	Washer-Lock/Ext
3	44-2210	1	Light-Indicator, Red	25	3296-20	4	Nut-Lock NI
3:1	218-535	1	Nut-Hex	26	75-0600	1	Unit-Steering, Power
3:2	218-536	1	Washer-Lock	27	32144-26	2	Screw-Flow, Penta
3:3	93-7480	1	Led-Miniature Bayonet	28	3253-4	2	Washer
3:4	218-533	1	Lens	29	75-2810	1	Bracket-Column, Steering
4	21-9260	1	Cover-Dust	*99	3290-410	3	Push Mount Tie
5	233-17	1	Knob				
6	3258-166	2	Screw				
7	3256-1	2	Washer-Flat				
8	93-6682	1	Panel - Tower				
9	3296-42	2	Nut-Lock				
10	95-1821-03	1	Spring - Compression				
11	3256-22	4	Washer-Flat				
12	3272-5	3	Pin-Cotter				
13	75-1490	1	Rod-Brake, Parking				
14	75-6230	2	Hose				
15	75-6240	1	Hose				
16	3290-378	4	Tie-Cable				
17	63-7900-03	1	Rack				
18	3256-26	1	Washer-Flat				
19	3272-10	1	Pin-Cotter				

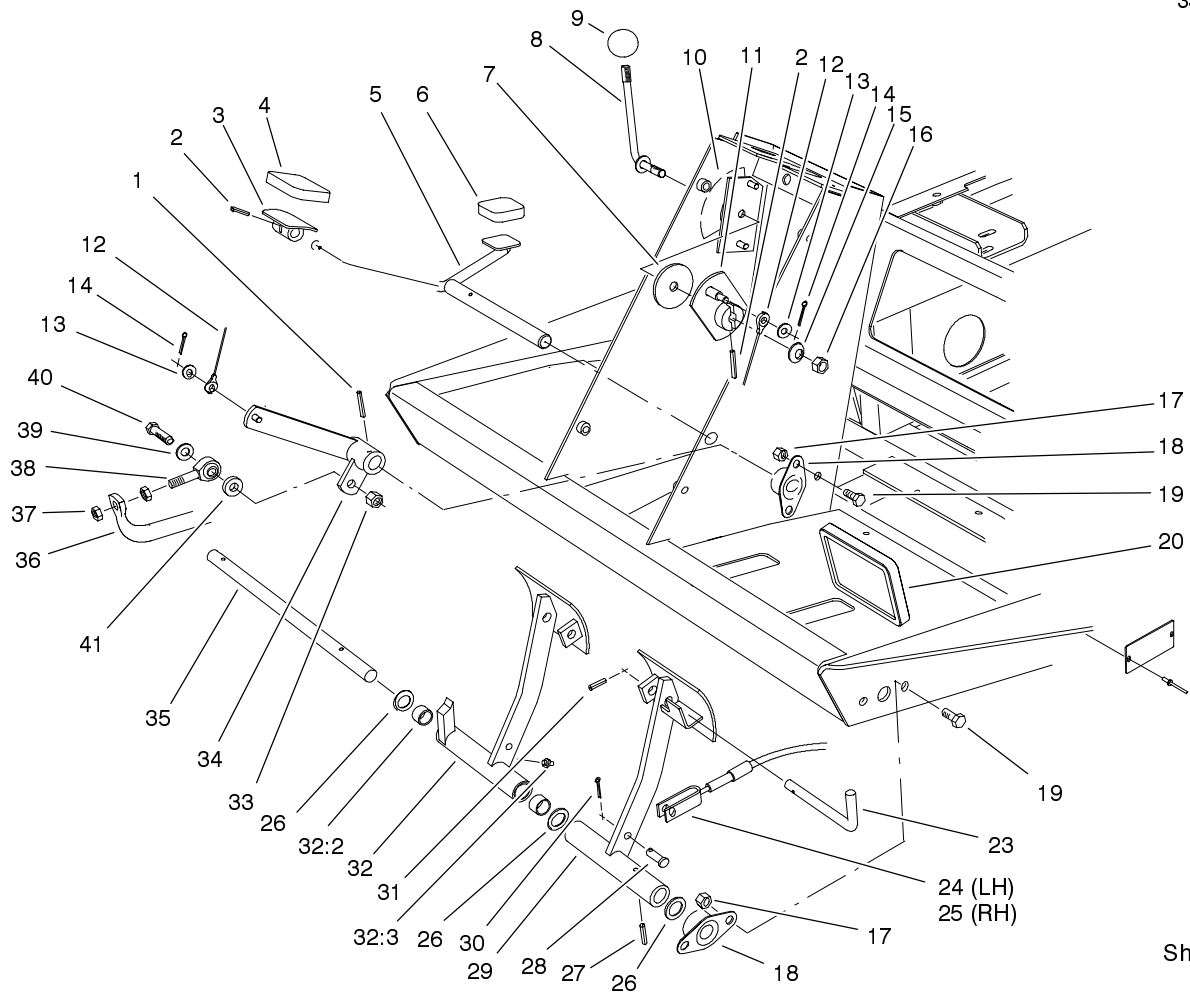
\* Not illustrated



## Steering Valve Assembly No. 75-0600

Ref. No.	Part No.	Qty.	Description
27	3220-6	1	Nut-Jam
28	66-9770	1	Seal
29	66-9780	1	Bushing (Kit)
36	93-3609	4	Bolt - Special
37	66-9860	1	Cover & Jacket-Upper
38	66-9870	1	Plate-Retaining
39	66-9880	1	Washer-Plate, Retaining
40	66-9890	1	Ring-Retaining
41	66-9900	1	Shaft-Input
42	66-9970	1	Kit-Spring
43	66-9980	1	Kit-Seal
44	66-9990	1	Kit-Roller, Needle
45	75-1340	1	Valve-Steering, Power

Ref. No.	Part No.	Qty.	Description

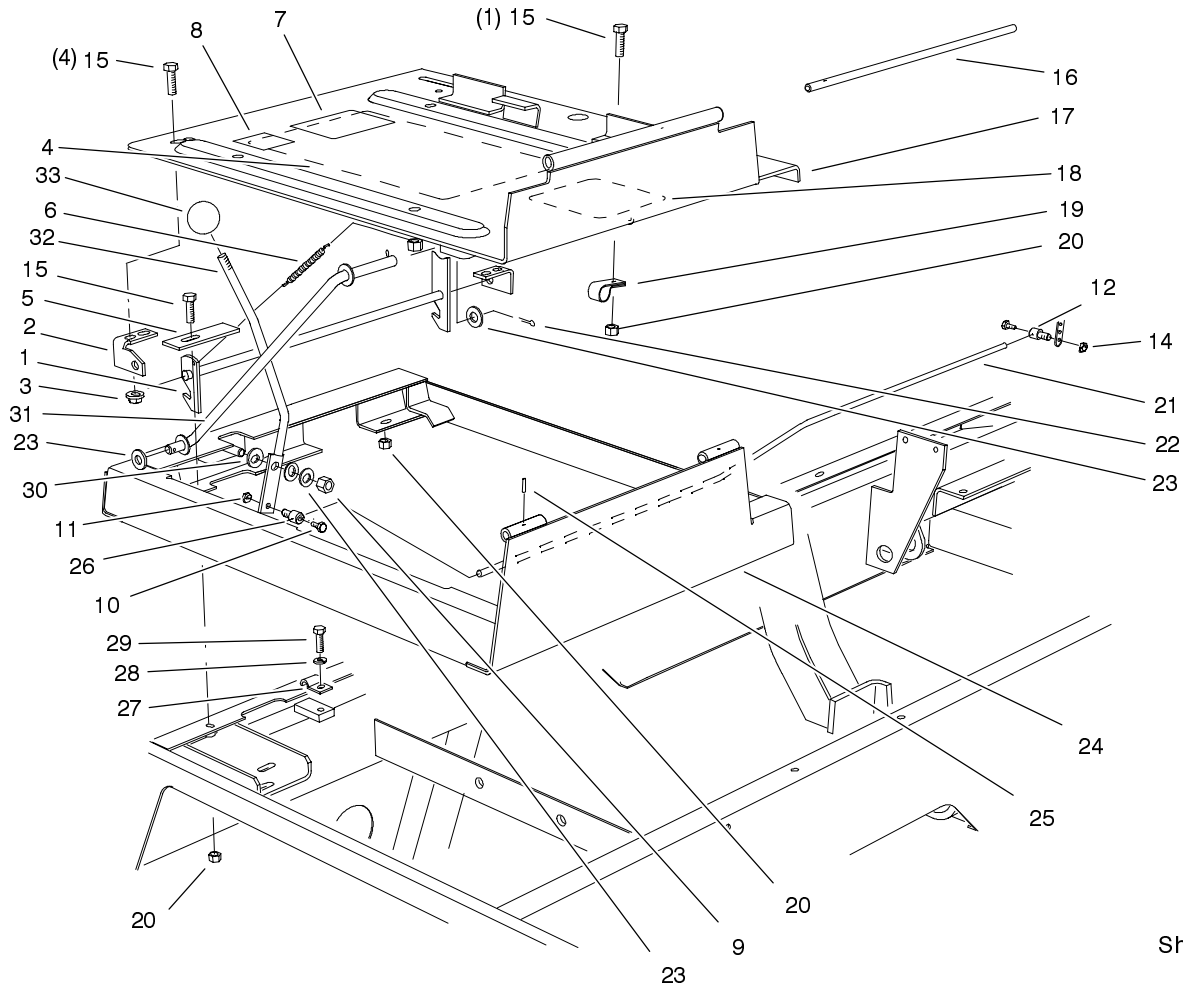


Sheet No.:4

T-3408

## Traction And Brake Pedal Assembly

Ref. No.	Part No.	Qty.	Description	Ref. No.	Part No.	Qty.	Description
1	32121-6	1	Pin-Roll	28	283-58	4	Pin-Clevis
2	32121-45	2	Pin-Spring	29	75-1440-03	1	Pedal-Brake, LH
3	49-6440-03	1	Pedal-Forward	30	3272-10	4	Pin-Cotter
4	74-9100	1	Pad-Pedal, Forward	31	32121-50	1	Pin-Spring
5	75-2970	1	Pedal-Traction	32	75-1430	1	Pedal-Brake, RH
6	74-9110	1	Pad-Pedal, Reverse	32:2	256-42	2	Bushing
7	75-6550	1	Disc-Friction	32:3	302-5	1	Fitting-Lube
8	75-6490	1	Lever	33	3296-39	1	Nut-Lock, NI
9	233-42	1	Knob	34	75-3270-03	1	Hub-Pivot, Traction
10	93-6699	1	Decal - Fast/Slow	35	75-1470	1	Pin-Pivot, Brake
11	75-6510	1	Bracket-Lever	36	75-2170-03	1	Tube-Control, Pump
12	75-6580	1	Cable - Pedal	37	3220-3	2	Nut-Jam
13	3256-22	2	Washer-Flat	38	2411-36	1	Bearing-End, Rod
14	3272-2	2	Pin-Cotter	39	3256-24	1	Washer-Flat
15	3290-461	1	Washer-Spring	40	323-9	1	Screw-HH
16	3296-59	1	Nut-Lock, NI	41	5-0652	1	Spacer
17	3296-29	8	Nut-Lock, NI				
18	256-236	4	Bearing-Mount, Flange				
19	322-3	8	Screw-HH				
20	93-8742	2	Footpad - Brake				
23	63-7880	1	Pin-Latch, Brake				
24	63-7733	1	LH Brake Cable ASM				
25	63-7732	1	RH Brake Cable ASM				
26	3256-69	3	Washer-Flat				
27	32121-16	1	Pin-Spring				

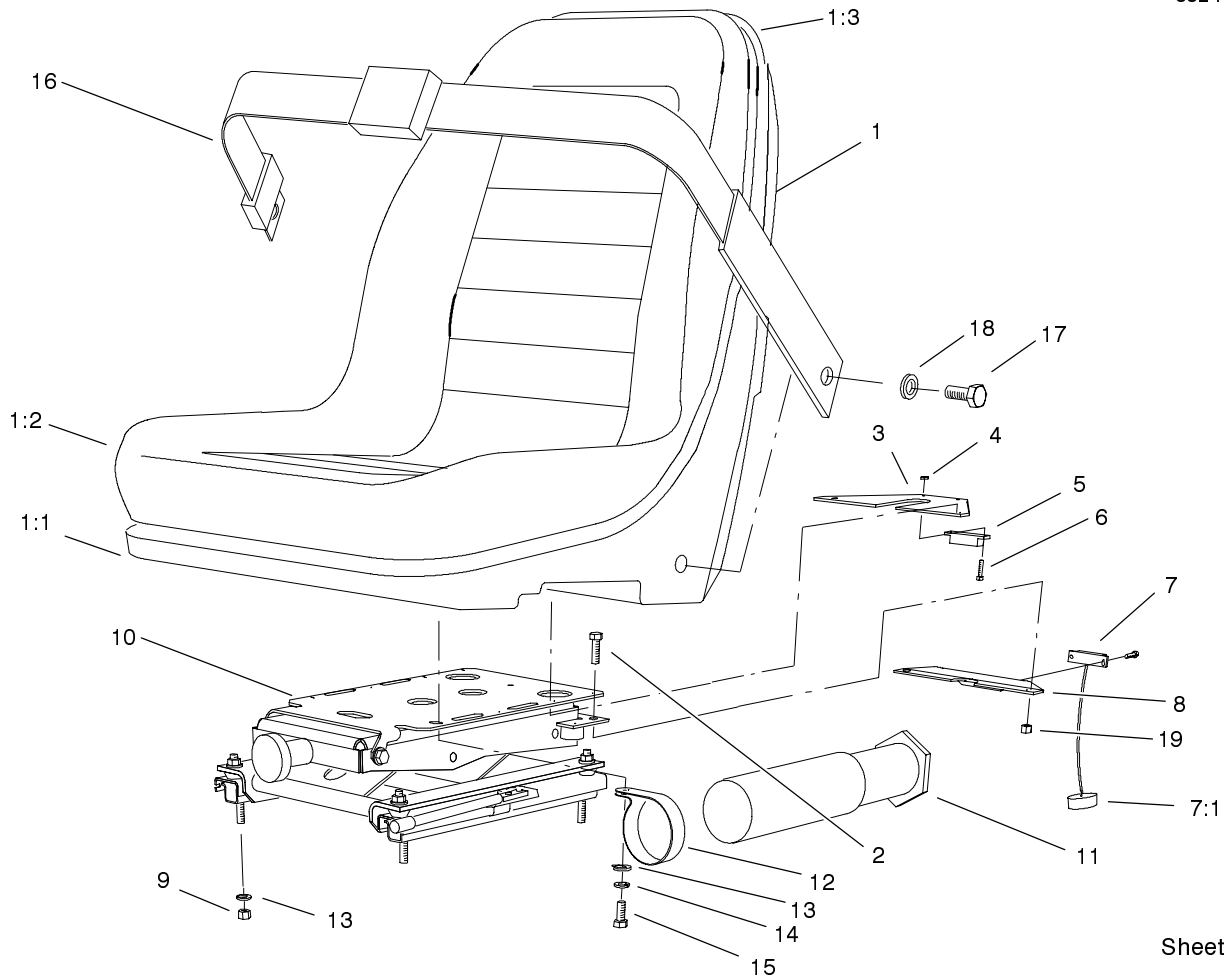


Sheet No.:5  
T-3409

## Seat Frame And Throttle Assembly

Ref. No.	Part No.	Qty.	Description
1	98-2354-03	1	Latch-Seat
2	98-2353	2	Bracket-Latch, Seat
3	32128-25	4	Nut-Flange
4	98-9342	1	Decal
5	98-9302	1	Plate-Stop, Idler
6	66-4190-03	1	Spring-Idler, Clutch
7	92-5524	1	Decal-Rating, Noise
8	63-9920	1	Decal-Level, Noise
9	3296-39	1	Nut-Lock, NI
10	25-8640	2	Screw-Machine, HH
11	3296-3	1	Nut-Lock NI
12	98-9311	1	Swivel - Throttle
14	3296-20	1	Nut-Lock NI
15	322-3	9	Screw-HH
16	75-3400	1	Shaft-Pivot, Seat
17	98-2350-03	1	Plate-Seat
18	93-8060	1	Decal - Reels
19	2412-93	1	R-Clamp
20	3296-29	6	Nut-Lock, NI
21	98-9303	1	Cable - Throttle
22	3272-10	2	Pin-Cotter
23	3256-24	3	Washer-Flat
24	98-2352-03	1	Frame-Seat
25	32121-38	1	Pin-Roll
26	93-0021	1	Swivel-Cable, Throttle
27	3-6657	1	Clip-Skid

Ref. No.	Part No.	Qty.	Description
28	3253-3	1	Washer-Lock/Sp
29	321-4	1	Screw-HH
30	66-2920	2	Washer-Friction, Throttle
31	75-3680-03	1	Rod-Seat
32	75-3430-03	1	Lever-Throttle
33	233-42	1	Knob

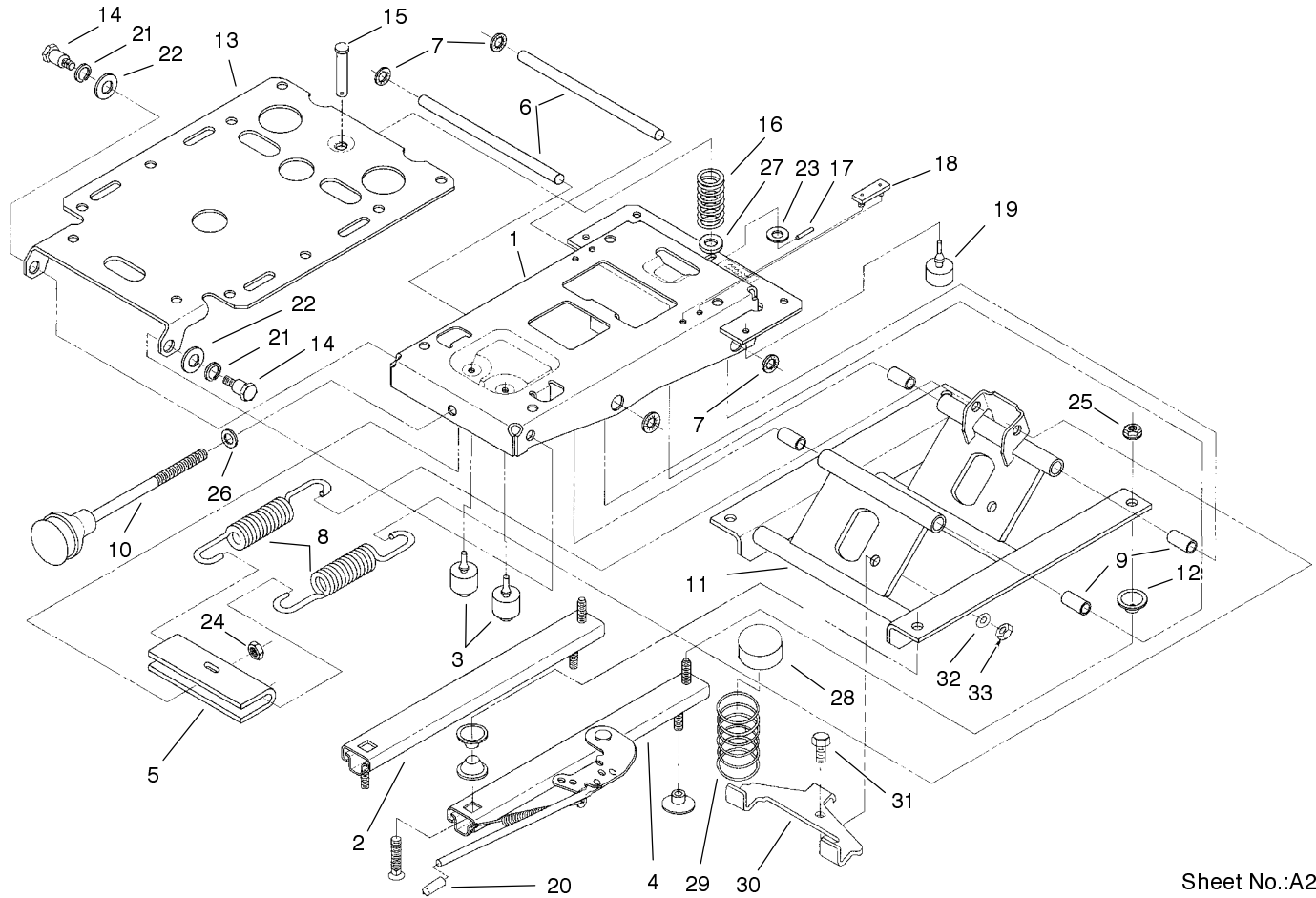


Sheet No.:6  
T-3410

### Seat Assembly

Ref. No.	Part No.	Qty.	Description
1	92-1180	1	Seat-Olympic
1:1	92-6534	1	Shell
1:2	92-6533	1	Kit-Cushion, Seat
1:3	351-78	1	Edging
2	323-4	2	Screw-HH
3	75-4370-03	1	Bracket-Seat
4	3296-54	4	Nut-Lock NI
5	92-8753	1	Magnet-Switch, Reed
6	3250-29	4	Screw-PPH
7	92-8001	1	Sensor-Switch, Reed
7:1	93-0140	1	Grommet - Rubber
8	75-4360-03	1	Bracket-Suspension, Seat
9	3296-29	4	Nut-Lock, NI
10	75-3000	1	Suspension-Seat
11	74-0720	1	Tube-Manual
12	2412-133	2	R-Clamp
13	3256-23	8	Washer-Flat
14	3253-4	4	Washer
15	322-3	4	Screw-HH
16	21-4191	1	Seat Belt ASM
17	3212-4	2	Screw-HH
18	3253-6	2	Washer-Lock/Sp
19	3296-39	2	Nut-Lock, NI

Ref. No.	Part No.	Qty.	Description

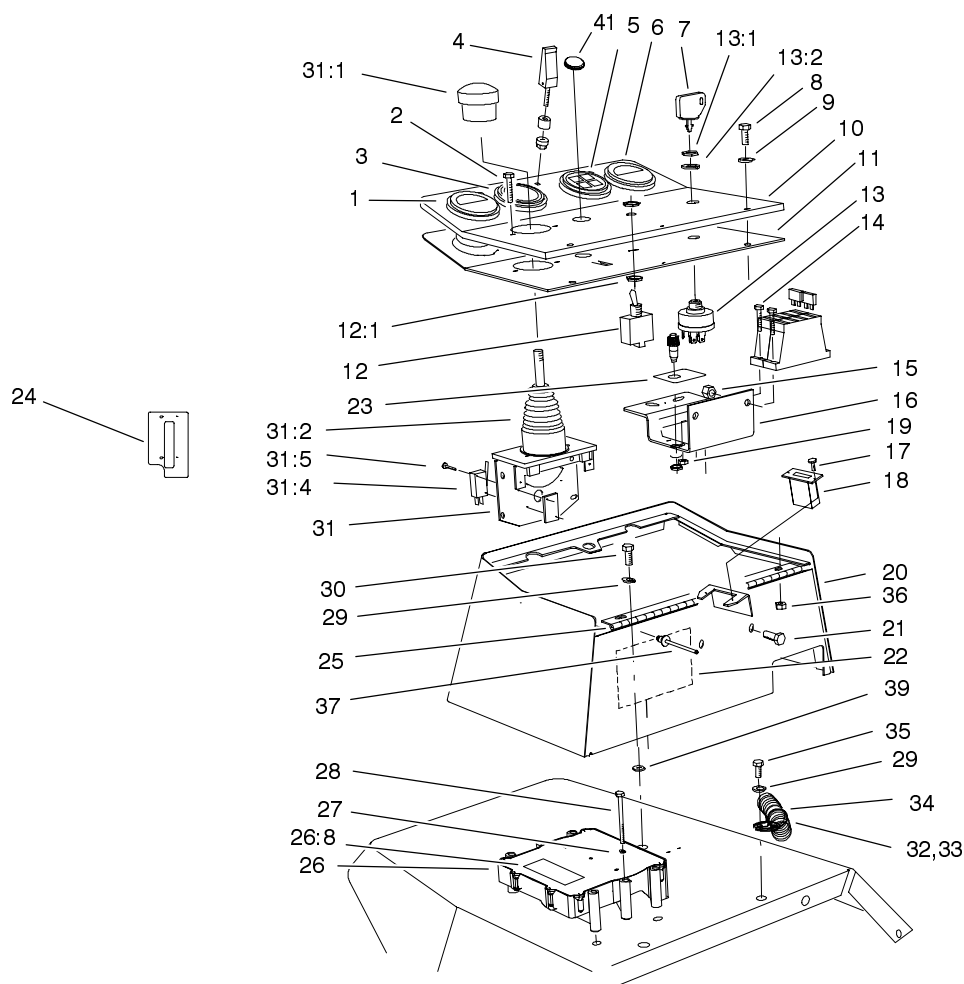


Sheet No.:A2  
T-3437

## Seat Suspension Assembly No. 75-3000

Ref. No.	Part No.	Qty.	Description
1	75-3480	1	Frame-Upper
2	66-8530	1	Adjuster
3	66-8520	2	Bumper-Downstop
4	82-9060	1	Adjuster w/Handle
5	77-2870	1	Hanger-Spring
6	76-1910	2	Shaft-Pivot
7	66-8560	4	Nut-Push
8	76-1940	2	Spring-Extension
9	76-1920	4	Bearing-Sleeve
10	76-1930	1	Knob-Adjuster, Tension
11	66-8610	1	Frame-Lower
12	66-9290	6	Spacer-Suspension
13	75-3580	1	Plate-Seat
14	75-3510	2	Bolt
15	80-4860	1	Pin - Clevis
16	75-3530	1	Spring
17	75-3540	1	Pin-Roll
18	75-3550	2	Bumper
19	76-2940	2	Bumper
20	75-3570	1	Tip
21	3253-6	2	Washer-Lock/Sp
22	3256-26	2	Washer-Flat
23	3256-24	1	Washer-Flat
24	3296-44	1	Nut-Lock NI
25	32128-26	4	Nut-Flange

Ref. No.	Part No.	Qty.	Description
26	3256-46	1	Washer-Flat
27	3256-5	1	Washer-Flat
28	93-3164	2	Cap
29	93-3163	2	Spring
30	93-3165	1	Bracket
31	322-6	1	Screw-HH
32	3253-33	1	Washer-Lock
33	3217-6	1	Nut-Hex

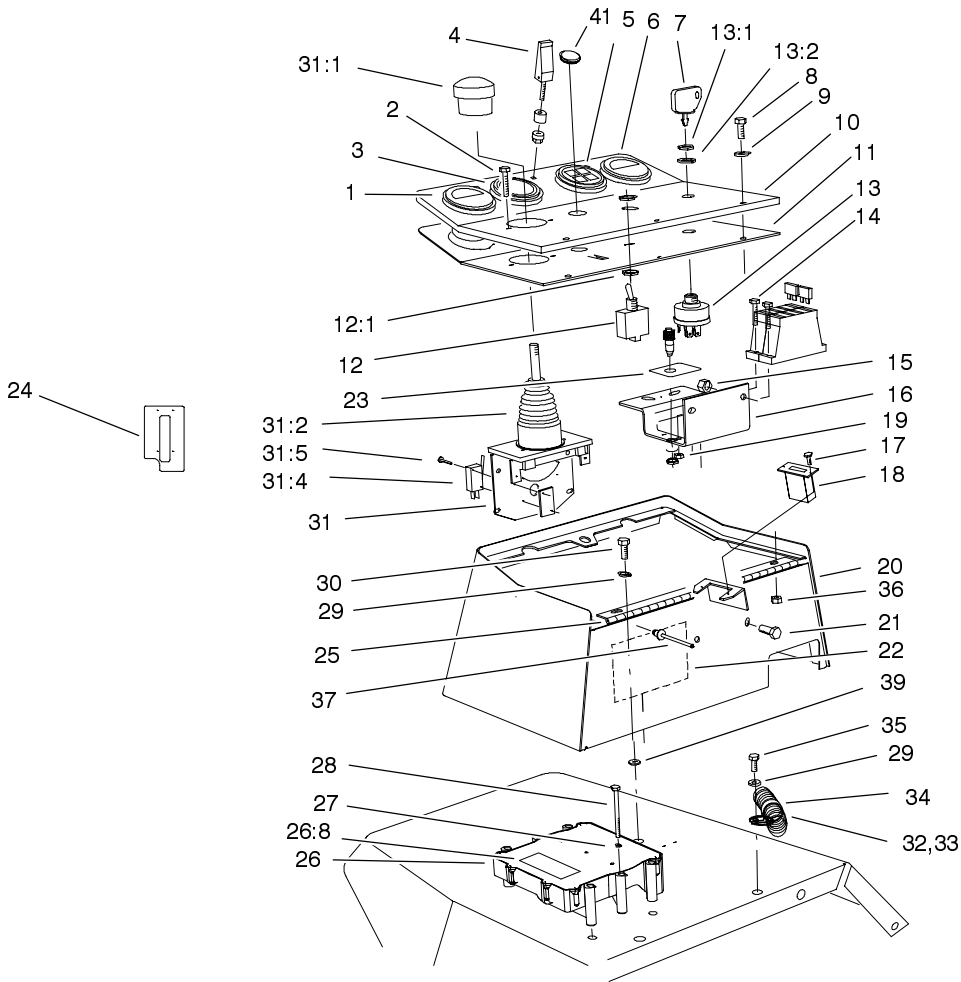


Sheet No.:7

## Control Console Assembly

Ref. No.	Part No.	Qty.	Description	Ref. No.	Part No.	Qty.	Description
1	98-9339	1	Guage - Fuel	20	75-5740-03	1	Box-Control
2	3273-26	2	Screw-HSH	21	321-39	2	Screw-HH
3	85-4420	1	Speedometer	22	94-6767	1	Decal - Fuses
4	74-5950	1	Latch-Swell	23	98-9334	1	Decal - Controller
5	98-9306	1	Light - Warning	24	100-3700	1	Decal-Diagnostic
6	98-9308	1	Gauge - Temperature	25	75-5780	1	Hinge-Steel
7	63-8360	1	Key-Ignition	26	92-5720	1	Controller-Electronic
8	3258-166	3	Screw	26:8	93-8053	1	Decal
9	3256-1	3	Washer-Flat	27	3253-3	2	Washer-Lock/Sp
10	99-8961	1	Panel-Control	28	321-15	2	Screw-HH
11	75-6270-03	1	Cover-Box, Control	29	3256-3	3	Washer-Flat
12	99-8352	1	Switch - Backlap	30	322-3	2	Screw-HH
12:1	218-498	2	Locknut-Hex	31	98-2195	1	Joystick
*12:2	218-588	3	Screw	31:1	3290-489	1	Knob
*12:3	218-589	1	Washer	31:2	3290-488	1	Boot
*12:4	3253-19	3	Washer-Lock/Sp	*31:3	3290-354	2	Nut-Speed
13	27-2360	1	Switch-Key	31:4	218-590	2	Switch
13:1	218-446	1	Nut-Hex	31:5	3290-93	4	Screw-Head, Pan
13:2	218-447	1	Washer-Lock	*31:6	93-3625	1	Spring - Return
14	32105-13	4	Screw-Shh	32	99-8960	1	Harness-Wire, Main
15	3296-42	4	Nut-Lock	33	94-6343	1	Decal-I.d., Wire
16	93-7587	1	Bracket-Fuse Block/Panel	34	2412-126	1	R-Clamp
17	32144-18	2	Screw-HH	35	322-5	1	Screw-HH
18	75-6820	1	Hourmeter	36	32128-33	3	Nut-HF
19	3296-2	4	Nut-Lock	37	93-8744	3	Pop - Rivet
				39	52-2900	3	Washer

\* Not illustrated

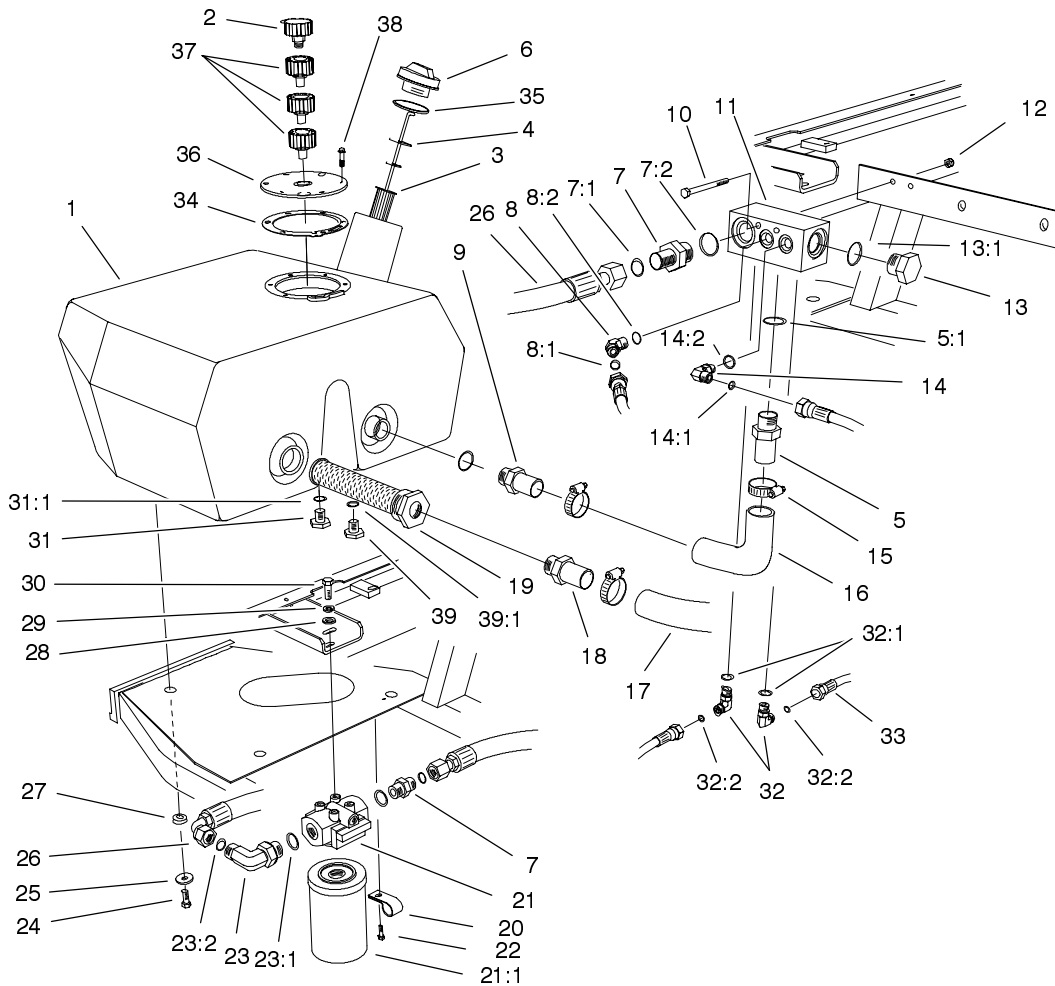


Sheet No.:7

## Control Console Assembly (Continued)

Ref. No.	Part No.	Qty.	Description	Ref. No.	Part No.	Qty.	Description
*40	3290-378	1	Tie-Cable				
41	99-1087	1	Plug-Hole, Dash				

\* Not illustrated

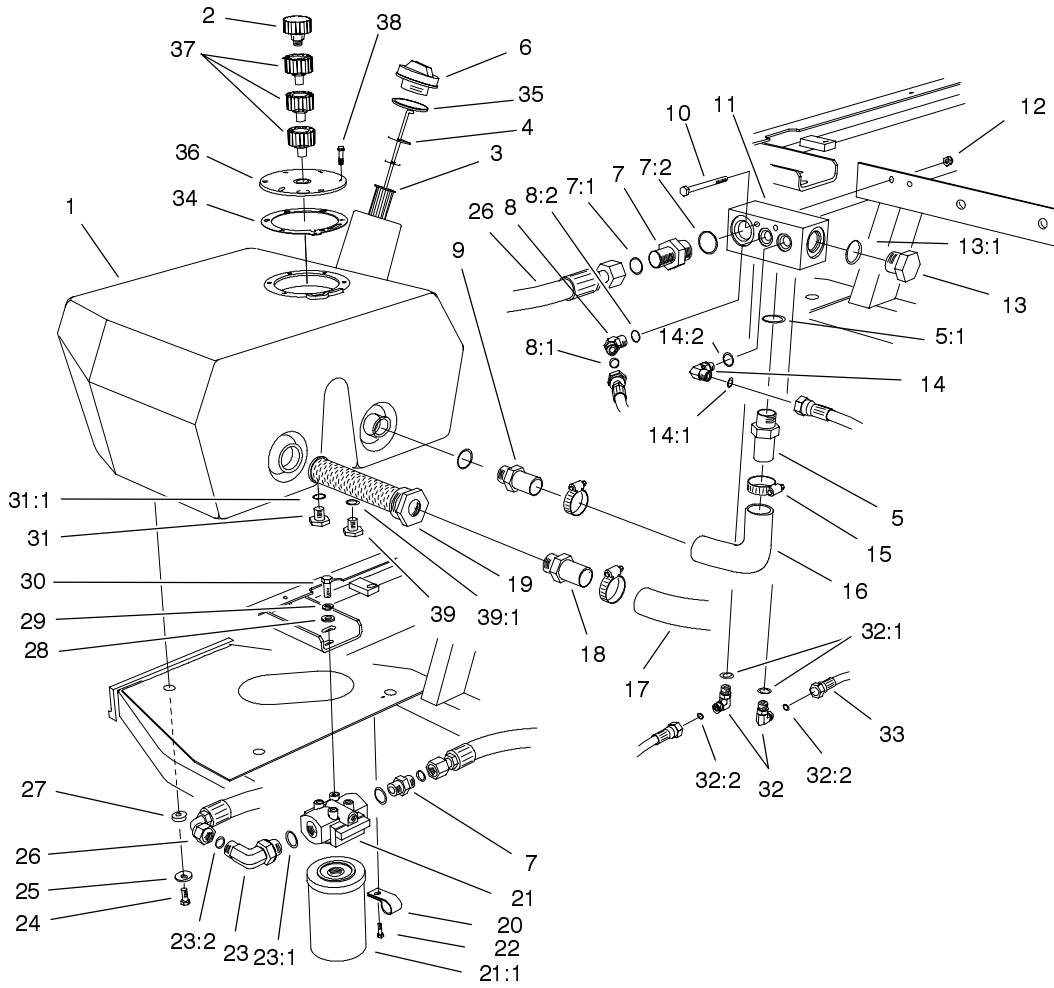


Sheet No.:8  
T-3414

## Hydraulic Filter And Reservoir Assembly

Ref. No.	Part No.	Qty.	Description
1	104-0085	1	Tank - Oil
2	68-6150	1	Breather-Air
3	61-2790	1	Filter-Screen
4	94-9411	1	Dipstick
5	354-73	1	Fitting
5:1	237-81	1	O-Ring
6	93-7498	1	Plug-Plastic
7	340-8	2	Adapter
7:1	237-65	2	O-Ring
7:2	237-81	2	O-Ring
8	340-87	1	Fitting-45°
8:1	237-22	1	O-Ring
8:2	237-42	1	O-Ring
9	99-6932	1	Fitting-Barb, Hose
10	321-23	2	Screw-HH
11	92-9098	1	Manifold - Tank
12	3296-42	2	Nut-Lock
13	354-74	1	Fitting
13:1	237-81	1	O-Ring
14	340-77	1	Fitting-90°
14:1	237-22	1	O-Ring
14:2	237-42	1	O-Ring
15	2412-34	3	Clamp-Hose
16	75-5720	1	Hose - Return
17	75-6870	1	Hose-Inlet, Pump
18	353-682	1	Fitting-Hose

Ref. No.	Part No.	Qty.	Description
19	75-0550	1	Suction-Strainer
20	2412-93	2	R-Clamp
21	75-1300	1	Oil Filter ASM
21:1	75-1310	1	Filter Element
22	32144-10	2	Screw-HWH
23	340-139	1	Fitting-90°
23:1	237-81	1	O-Ring
23:2	237-65	1	O-Ring
24	33105-025	3	Screw-HHF
25	63-8410	3	Washer
26	75-6130	1	Hose
27	240-11	3	Grommet-Mount, Tank
28	3256-24	2	Washer-Flat
29	3253-21	2	Washer-Lock
30	323-4	2	Screw-HH
31	353-550	1	Plug-Hydraulic
31:1	237-79	1	O-Ring
32	340-82	2	Adapter
32:1	237-42	1	O-Ring
32:2	237-21	1	O-Ring
33	100-3739	1	Hose Assembly-Drain, Return
34	93-7499	1	Gasket
35	237-101	1	O-Ring
36	93-7588	1	Cover - Tank

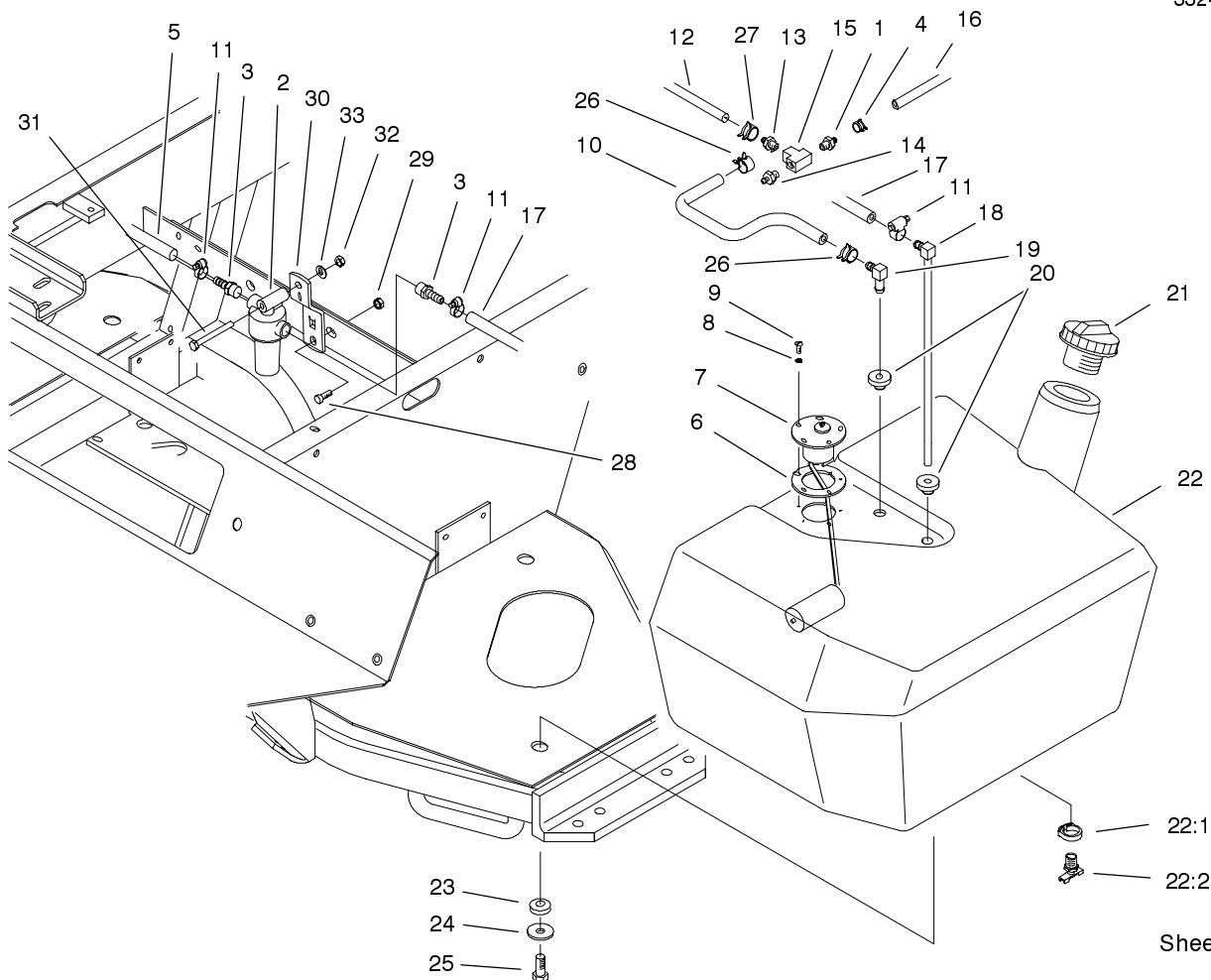


Sheet No.:8  
T-3414

# Hydraulic Filter And Reservoir Assembly (Continued)

Ref. No.	Part No.	Qty.	Description
37	92-8020	3	Adapter - Breather
38	33104-020	6	Screw-HHF
39	353-508	1	Plug-O-Ring
39:1	237-42	1	O-Ring

Ref. No.	Part No.	Qty.	Description



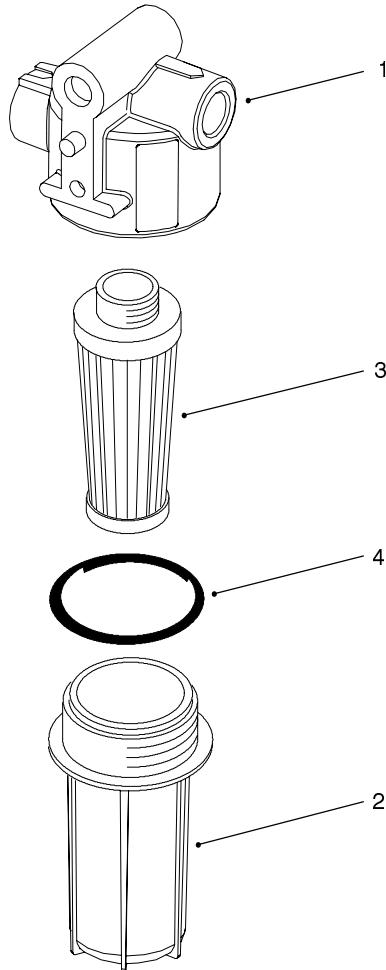
Sheet No.:9  
T-3415

### Fuel Tank Assembly

Ref. No.	Part No.	Qty.	Description
1	304-73	1	Connector-Hose
2	99-8351	1	Filter - Fuel, Inline
3	353-783	2	Fitting-Pump
4	2412-98	1	Clamp
5	63-7610	1	Hose-Fuel
6	62-7650	1	Gasket
7	63-7640	1	Sender-Fuel
8	3253-15	5	Washer-Lock/Sp
9	32122-24	5	Screw-Pth
10	93-2042	1	Hose - Fuel
11	2412-108	4	Clamp-Worm
12	75-4700	1	Hose-Fuel
13	354-22	1	Fitting-Barb
14	354-21	1	Fitting-Barb
15	354-20	1	Fitting-Tee
16	98-9338	1	Hose - Fuel
17	95-4276	1	Hose - Fuel
18	66-8121	1	Standpipe
19	46-6550	1	Elbow-Connector, 90 DEG
20	46-6560	2	Bushing
21	93-3102	1	Cap-Fuel
22	104-0084	1	Tank - Fuel
22:1	2412-36	1	Clamp-Hose
22:2	304-46	1	Draincock

Ref. No.	Part No.	Qty.	Description
23	240-11	3	Grommet-Mount, Tank
24	63-8410	3	Washer
25	33105-025	3	Screw-HHF
26	92-2379	2	Clamp-Hose
27	2412-146	2	Clamp-Hose
28	322-4	1	Screw-HH
29	3296-29	1	Nut-Lock, NI
30	98-9748	1	Bracket-Support, Filter
31	321-18	1	Screw-HH
32	3296-42	2	Nut-Lock
33	3256-22	1	Washer-Flat
*34	3290-378	1	Tie-Cable

\* Not illustrated



2 — 2 & 3

4 — 3 & 4

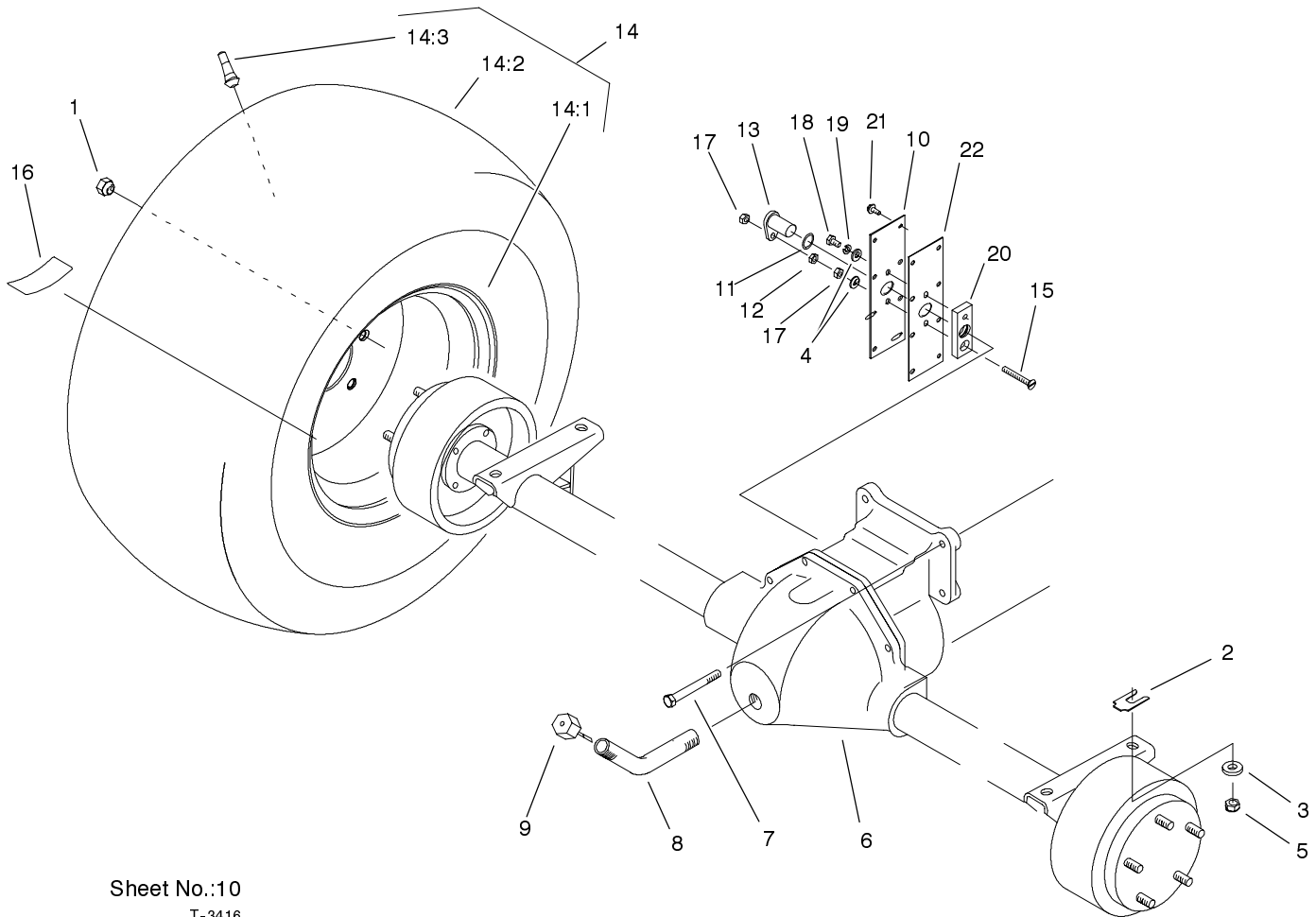
Sheet No.:A3

T-3100

### Fuel Filter Assembly No. 99-8351

Ref. No.	Part No.	Qty.	Description
1	99-8356	1	Kit - Head w/Label
2	99-8357	1	Kit-Bowel, w/O-Ring
3	99-8358	1	Kit-Element, w/O-Ring
4	99-8359	1	O-Ring Replacement

Ref. No.	Part No.	Qty.	Description



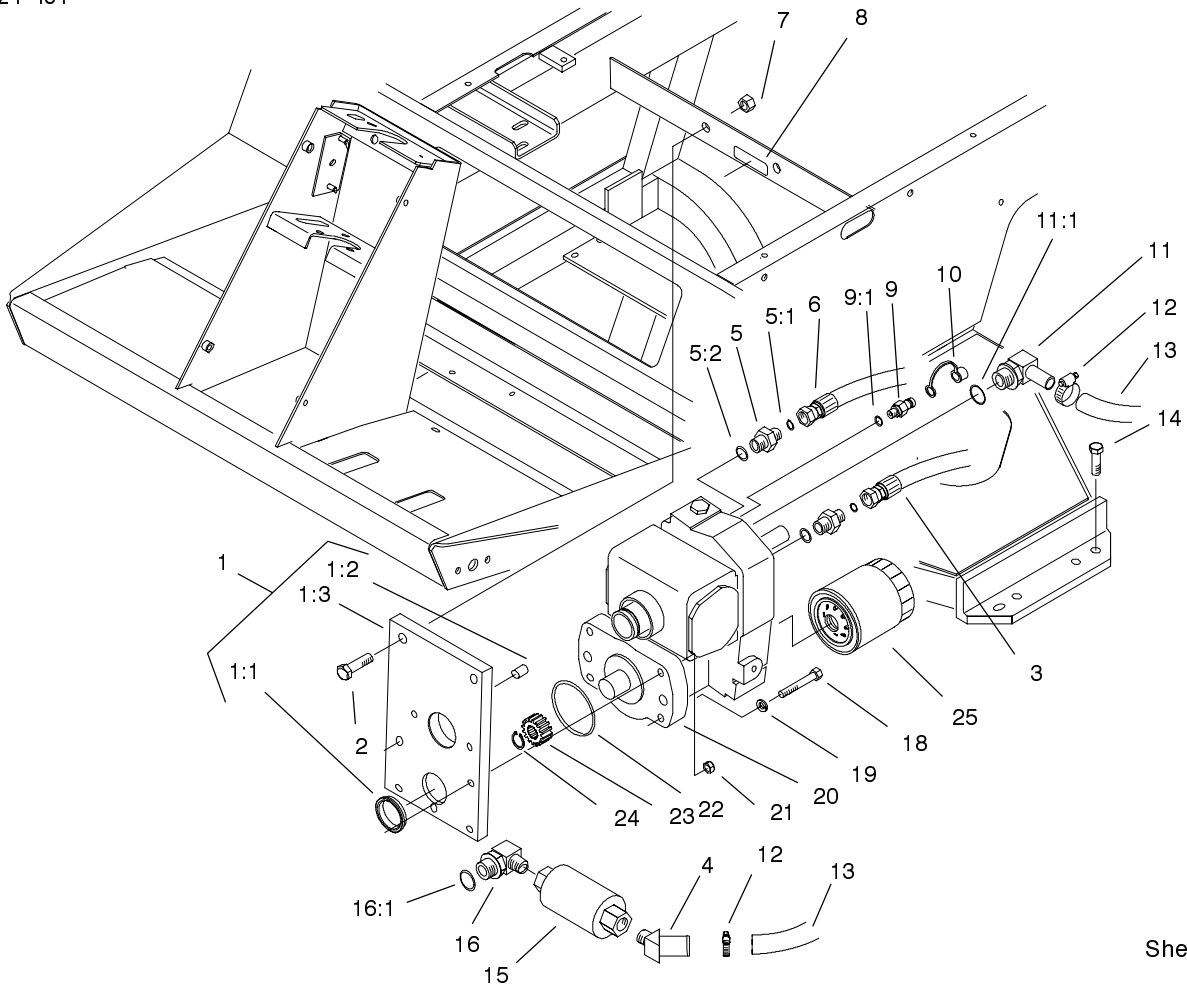
Sheet No.:10  
T-3416

## Front Axle Assembly

Ref. No.	Part No.	Qty.	Description
1	23-7270	10	Nut-Wheel
2	42-6080	5	Shim-Axle
3	66-6480	4	Washer
4	3256-22	2	Washer-Flat
5	3296-48	4	Nut-Lock NI
6	99-6981-03	1	Drive Axle
7	323-20	2	Screw-HH
8	75-6850	1	Tube-Fill, Oil
9	27-3710	1	Dipstick
10	85-4330	1	Cover-Gear
11	237-181	1	O-Ring
12	3218-1	1	Nut-Jam
13	85-4350	1	Sensor - Geartooth
14		2	Wheel And Tire ASM
14:1	99-6984	1	Wheel ASM
14:2	98-2373	1	Tire
14:3	232-27	1	Stem-Valve
15	32108-9	1	Screw-FH
16	76-8730	2	Decal-Torque, Wheel
17	3296-56	2	Nut-Lock, NI
18	321-2	1	Screw-HH
19	3253-3	1	Washer-Lock/Sp
20	85-4340	1	Plate-Sensor Mounting
21	32144-112	8	Screw-Forming, Thread

Ref. No.	Part No.	Qty.	Description
22	92-5797	1	Gasket - Axle
*23	3290-379	1	Tie-Cable

\* Not illustrated

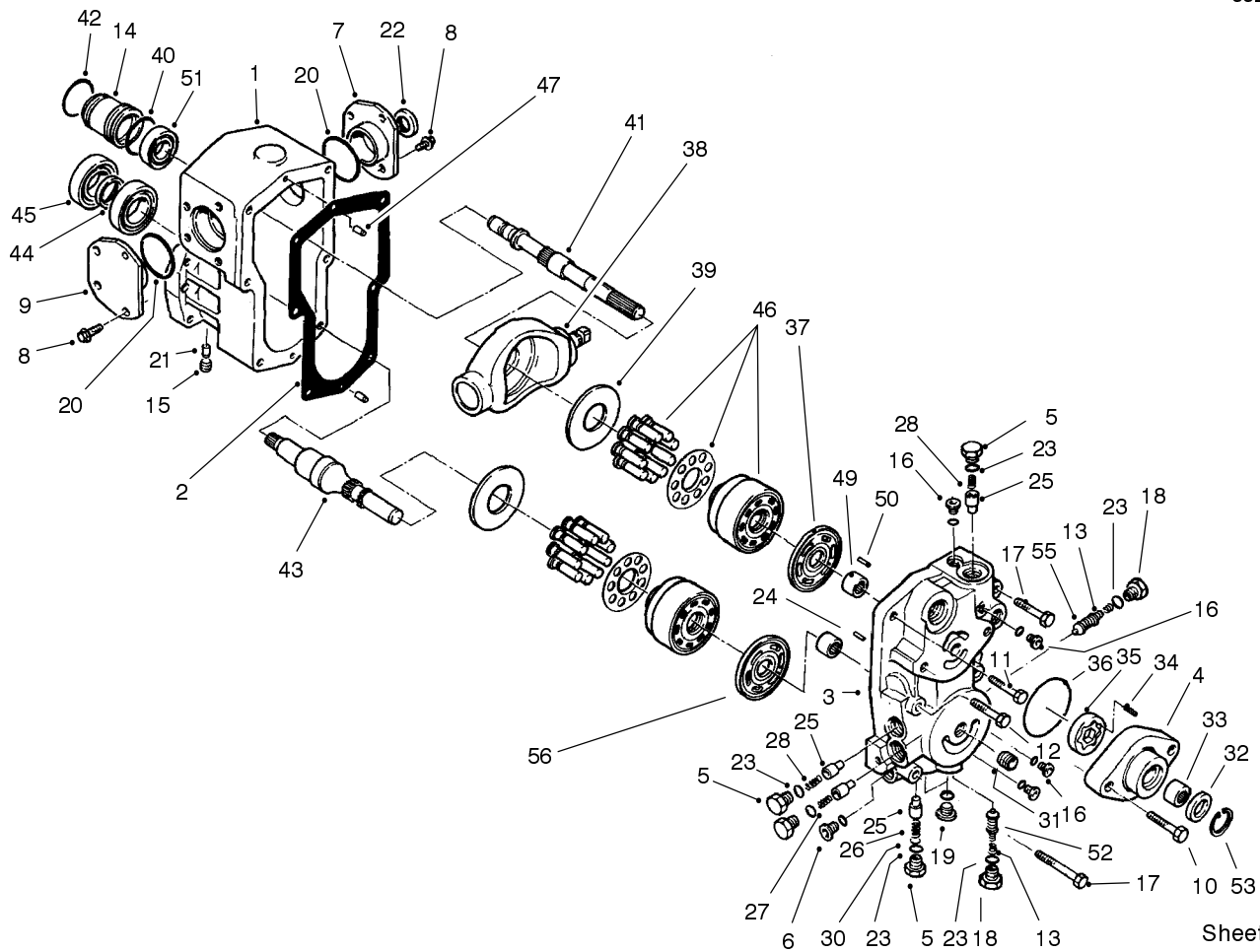


Sheet No.:11  
T-3417

## Transmission Support And Transmission Assembly

Ref. No.	Part No.	Qty.	Description
1	92-4846	1	Transmission Support ASM
1:1	75-3110	1	Transmission Collar
1:2	92-4808	1	Sleeve-Transmission
1:3	92-4809	1	Transmission Support
2	325-7	2	Screw-HH
3	93-0075	1	Hose ASM
4	354-72	1	Fitting
5	340-3	2	Adapter
5:1	237-22	1	O-Ring
5:2	237-79	1	O-Ring
6	93-0076	1	Hose ASM
7	3296-23	2	Nut-Lock, NI
8	93-6691	1	Decal-Bolt, Eccentric
9	354-77	1	Fitting-Quick
9:1	237-78	1	O-Ring
10	354-79	1	Cap - Fitting, Yellow
11	75-4720	1	Fitting-Line, Suction
11:1	237-81	1	O-Ring
12	2412-129	2	Clamp-Hose
13	75-6350	1	Hose
14	324-7	4	Screw-HH
15	75-6340-03	1	Filter
16	354-75	1	Fitting
16:1	237-81	1	O-Ring
18	323-12	2	Screw-HH

Ref. No.	Part No.	Qty.	Description
19	3253-21	2	Washer-Lock
20	75-0012	1	Transmission
21	3296-39	2	Nut-Lock, NI
22	237-161	1	O-Ring
23	86-7220	1	Gear-Pinion
24	32151-62	1	Ring-Retaining
25	75-1330	1	Element-Filter



Sheet No.:A4

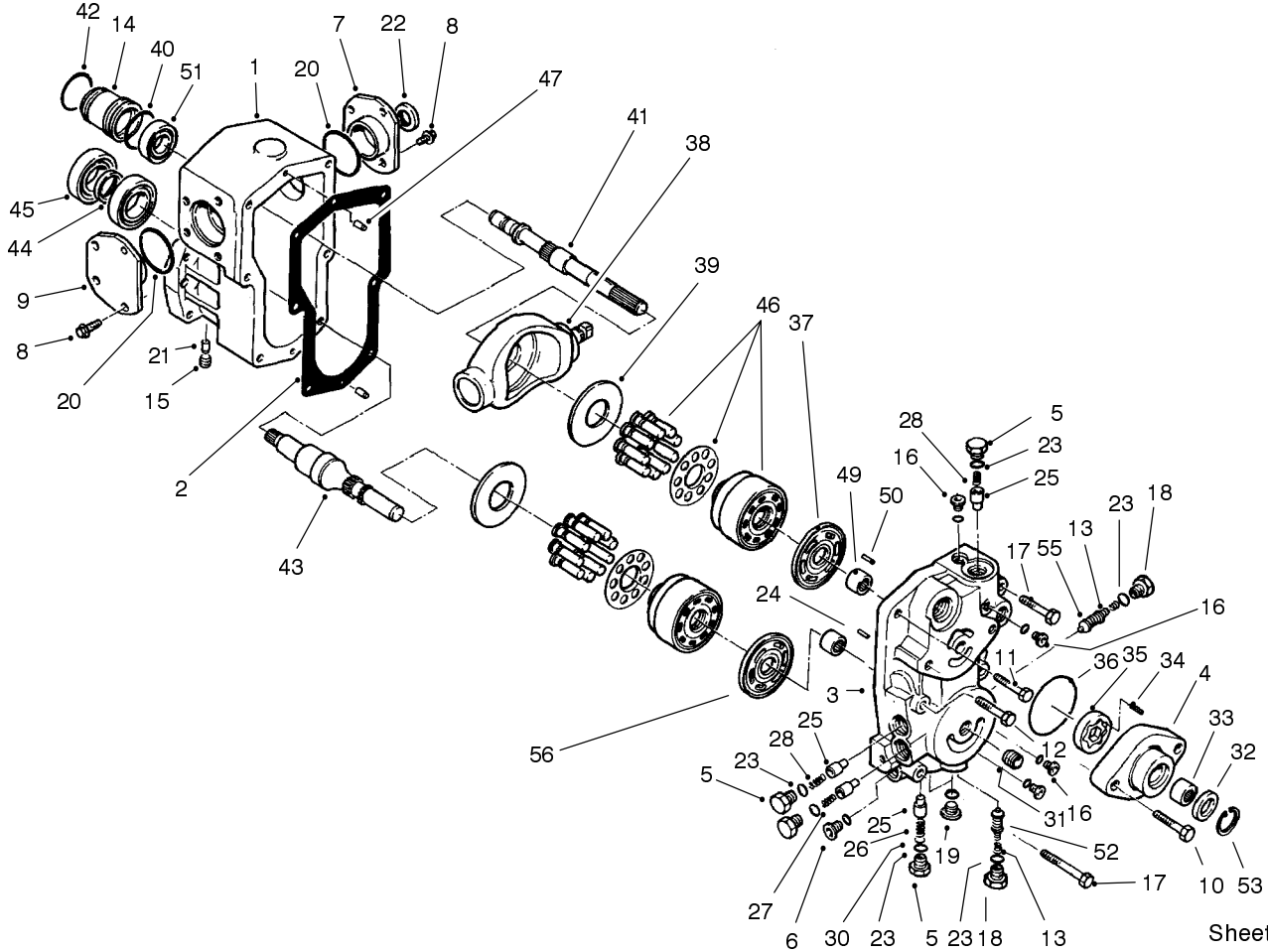
T-3438

## Transmission Assembly No. 75-0012

Ref. No.	Part No.	Qty.	Description
1	75-0020	1	Housing
2	75-0030	1	Gasket-Housing
3	75-0040	1	Section-Center
4	83-4780	1	Housing-Pump, Charge
5	75-0060	4	Plug
6	75-0070	1	Plug
7	86-7520	1	RH Trunnion Cover ASM
8	75-0090	8	Capscrew-HH
9	86-7530	1	LH Trunnion Cover ASM
10	75-0110	2	Capscrew-HH
11	75-0120	1	Capscrew-HH
12	75-0130	3	Capscrew-HH
13	75-0140	1	Spring-Conical
14	75-0150	1	Guide-Seal
15	75-0160	1	Plug-Pipe
16	75-0170	4	Plug-Thread, Straight
17	75-0180	2	Capscrew-HH
18	75-0190	2	Plug-Special
19	75-0200	2	Plug-Thread, Straight
20	75-0210	2	O-Ring
21	75-0220	2	Pin
22	75-0230	1	Seal-Lip
23	75-0240	6	O-Ring

Ref. No.	Part No.	Qty.	Description
24	75-0250	1	Spring
25	75-0260	4	Valve - Relief
26	75-0270	1	Spring
27	75-0280	1	Spring
28	75-0290	2	Spring
30	75-0310	1	Shim
31	75-0320	1	Nipple
32	75-0330	1	Seal-Lip
33	75-0340	1	Bearing-Needle
34	75-0350	1	Pin
35	75-0360	1	Gerotor
36	75-0370	1	O-Ring
37	75-0380	1	Plate-Valve
38	75-0390	1	Plate-Swash
39	75-0400	2	Plate-Thrust
40	75-0410	1	O-Ring
41	86-7540	1	Shaft-Pump
42	75-0430	1	Ring-Retaining
43	75-0440	1	Shaft-Motor
44	75-0450	1	Collar
45	75-0460	2	Bearing-Ball
46	75-0470	2	Kit-Block, Cylinder
47	75-0480	2	Pin
49	75-0500	2	Bearing-Needle
50	75-0510	1	Pin
51	75-0520	1	Bearing-Ball

3324-484

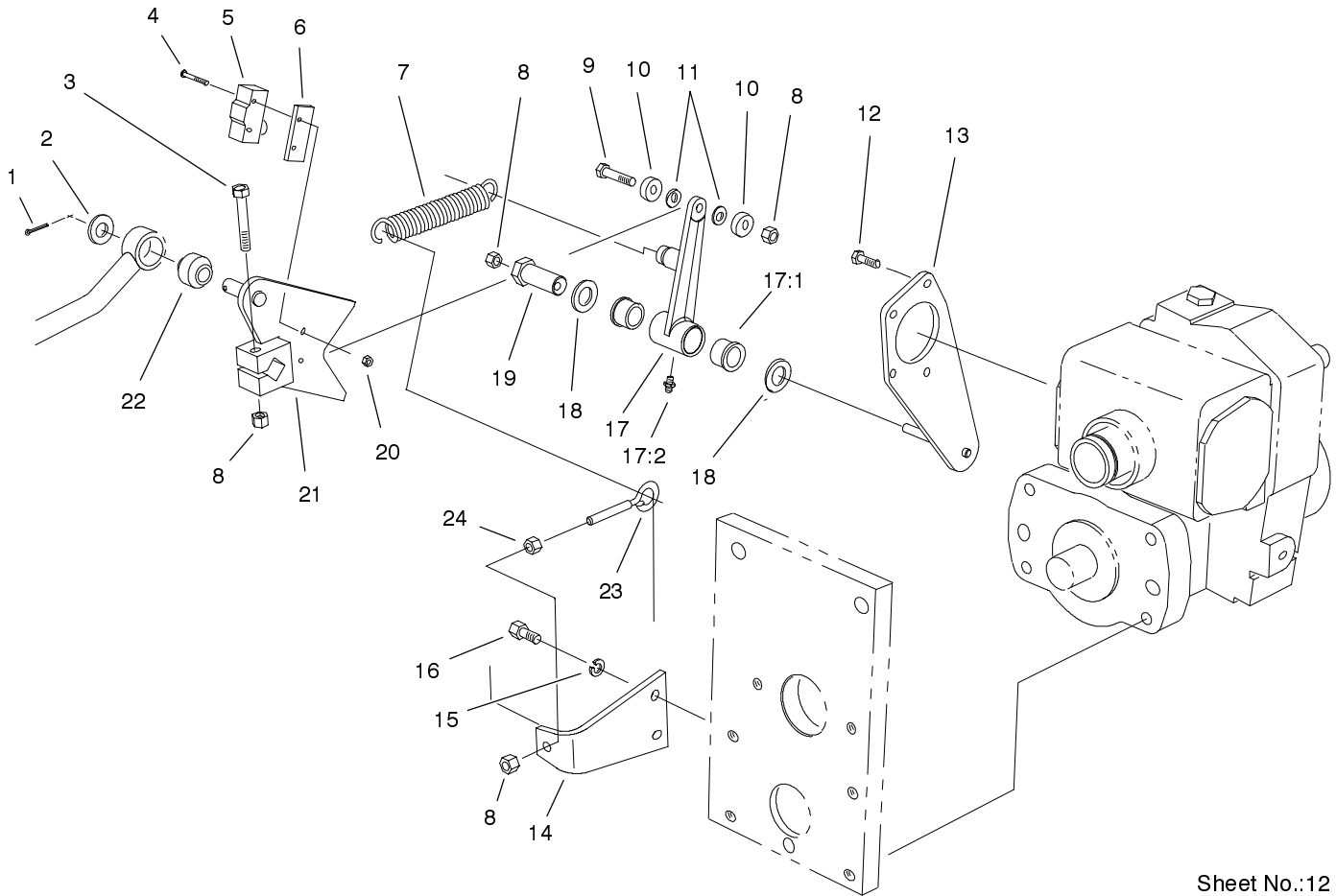


Sheet No.:A4  
T-3438

### Transmission Assembly No. 75-0012 (Continued)

Ref. No.	Part No.	Qty.	Description
52	75-6930	1	Valve-Screw
53	32120-74	1	Snap-Ring
55	93-0097	1	Valve-Screw
56	93-0083	1	Plate-Valve

Ref. No.	Part No.	Qty.	Description

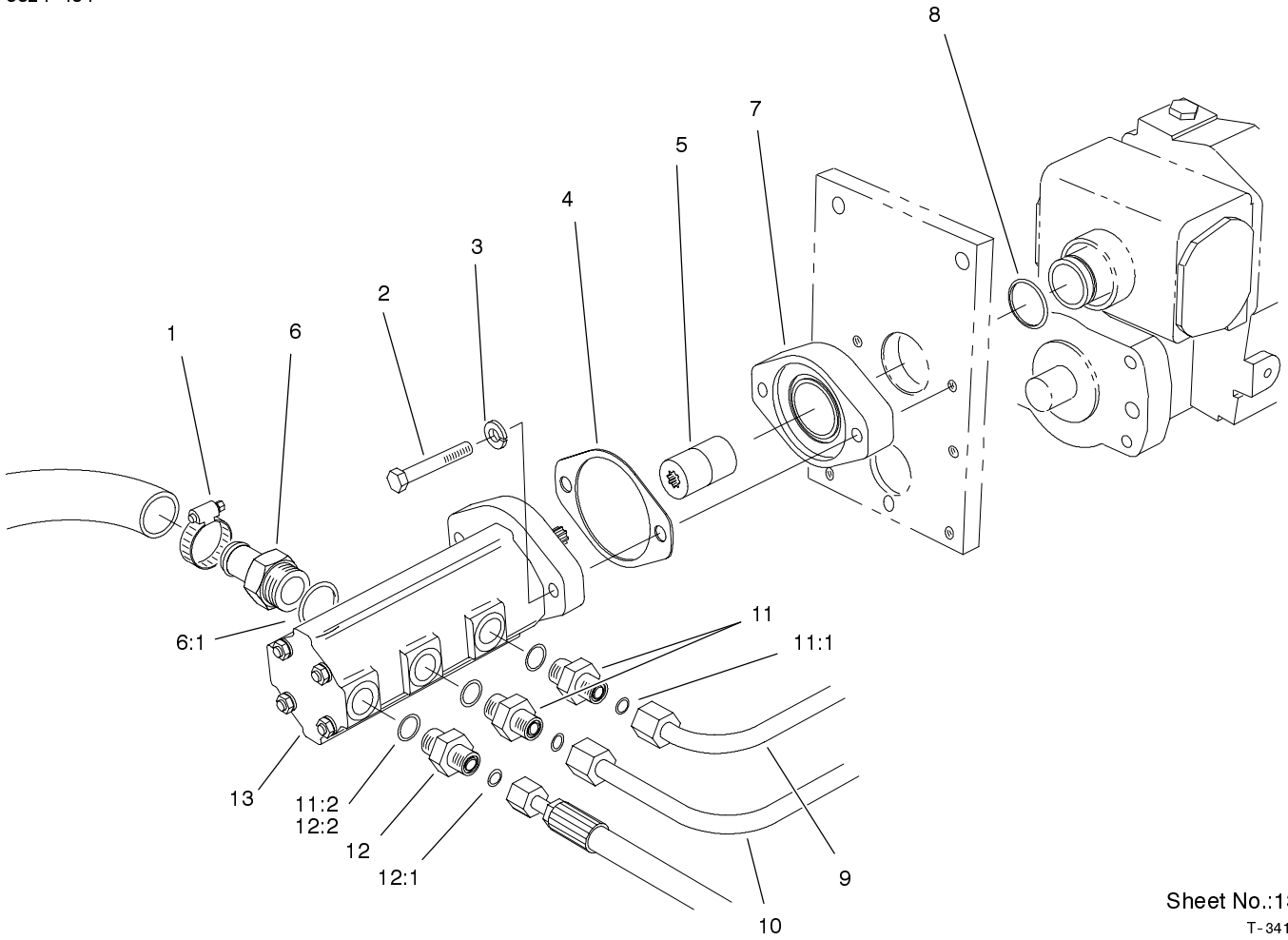


Sheet No.:12  
T-3418

## Traction Control Assembly

Ref. No.	Part No.	Qty.	Description
1	3272-10	1	Pin-Cotter
2	3256-26	1	Washer-Flat
3	322-10	1	Screw-HH
4	32105-21	2	Screw-HH
5	29-6162	1	Switch-Micro
6	75-4130	1	Plate-Switch
7	76-9430-03	1	Spring-Ext.
8	3296-29	4	Nut-Lock, NI
9	322-7	1	Screw-HH
10	251-307	2	Bearing-Ball
11	75-5470	2	Spacer-Bearing
12	32144-22	4	Screw
13	75-4080-03	1	Plate-Traction
14	85-9900-03	1	Plate-Anchor, Spring
15	3253-4	2	Washer
16	322-3	2	Screw-HH
17	92-2581	1	Neutral Switch Arm ASM
17:1	256-113	2	Bushing-Flange
17:2	302-5	1	Fitting-Lube
18	3-6498	2	Washer-Thrust
19	76-8640	1	Stud - Traction
20	3296-9	2	Nut-Lock NI
21	75-4100-03	1	Control-Pump
22	23-2270	1	Bushing-Rubber

Ref. No.	Part No.	Qty.	Description
23	85-9910	1	Eyebolt
24	3217-6	1	Nut-Hex

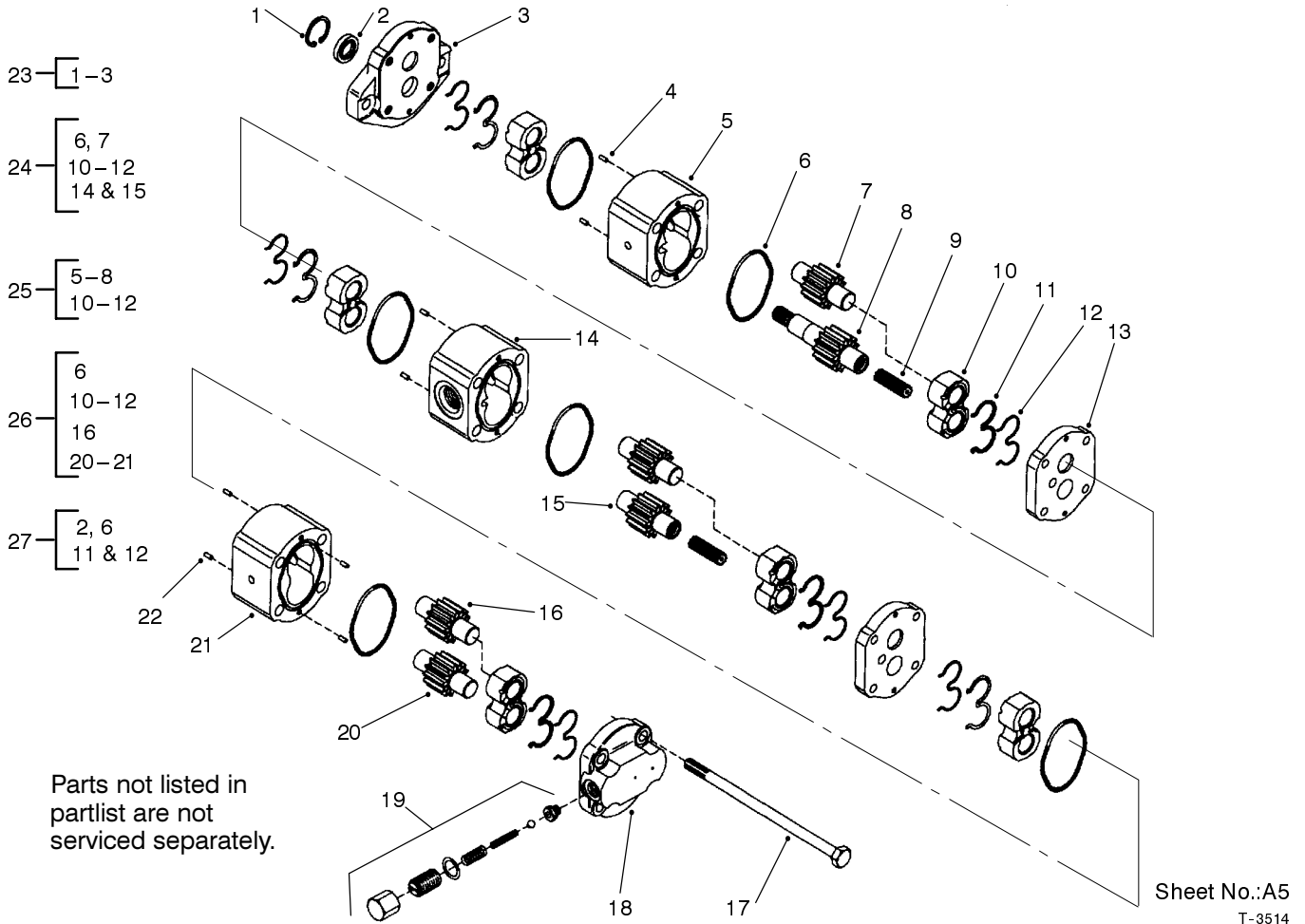


Sheet No.:13  
T-3419

## Gear Pump Installation Assembly

Ref. No.	Part No.	Qty.	Description
1	2412-34	1	Clamp-Hose
2	323-12	2	Screw-HH
3	3253-5	2	Washer-Lock/Sp
4	93-3604	1	Gasket
5	93-1396	1	Coupler
6	354-78	1	Connector-Hose
6:1	237-146	1	O-Ring
7	75-4400-03	1	Adaptor
8	237-163	1	O-Ring
9	93-3642	1	Tube - Pump, Port 1
10	93-3643	1	Tube - Pump, Port 2
11	340-4	2	Adapter
11:1	237-30	2	O-Ring
11:2	237-79	2	O-Ring
12	340-3	1	Adapter
12:1	237-22	1	O-Ring
12:2	237-79	1	O-Ring
13	98-9796	1	Pump-Gear

Ref. No.	Part No.	Qty.	Description

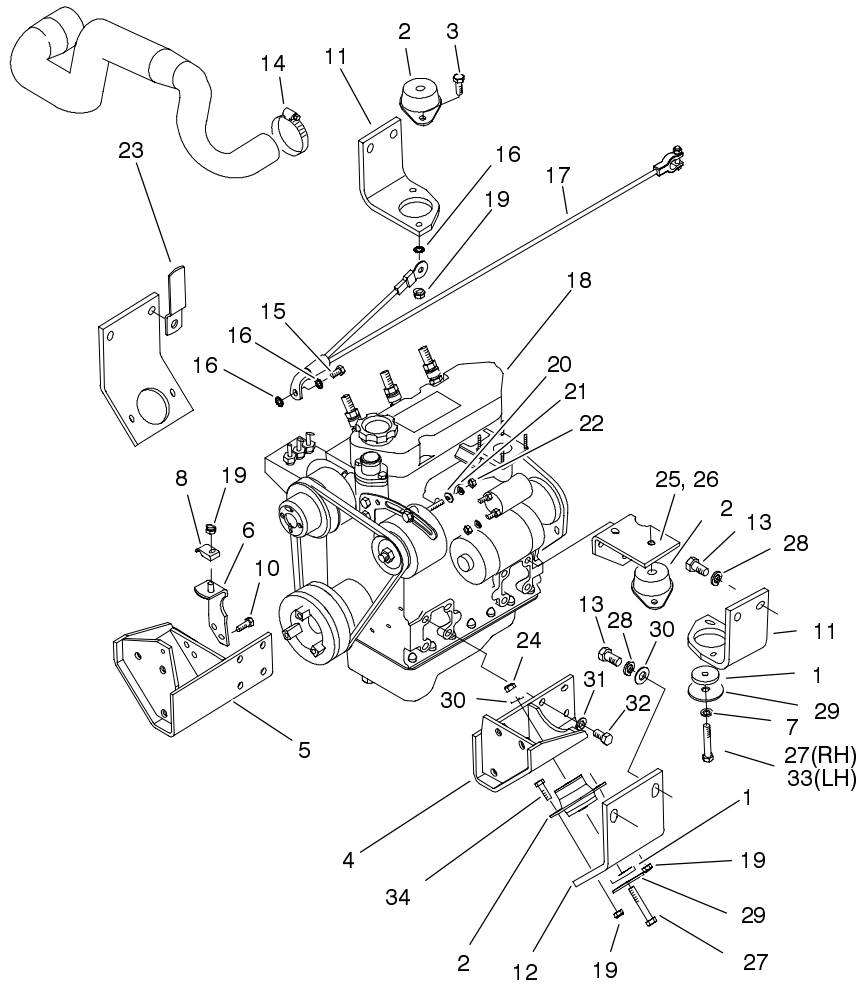


Sheet No.: A5  
T-3514

### Gear Pump No. 98-9796

Ref. No.	Part No.	Qty.	Description
4	93-4278	4	Dowel Pins
9	93-4280	2	Coupling
13	93-4279	2	Distance Plate
17	93-4283	4	Bolts
18	93-4282	1	Valve Block
19	93-4277	1	Valve Kit
22	93-4281	4	Dowel Pins
23	93-4268	1	Flange Kit
24	98-9798	1	Kit-Housing, Section 1
25	98-9797	1	Kit-Housing, Section 2
26	98-9799	1	Kit-Housing, Section 3
27	99-8353	1	Kit-Individual Pieces

Ref. No.	Part No.	Qty.	Description

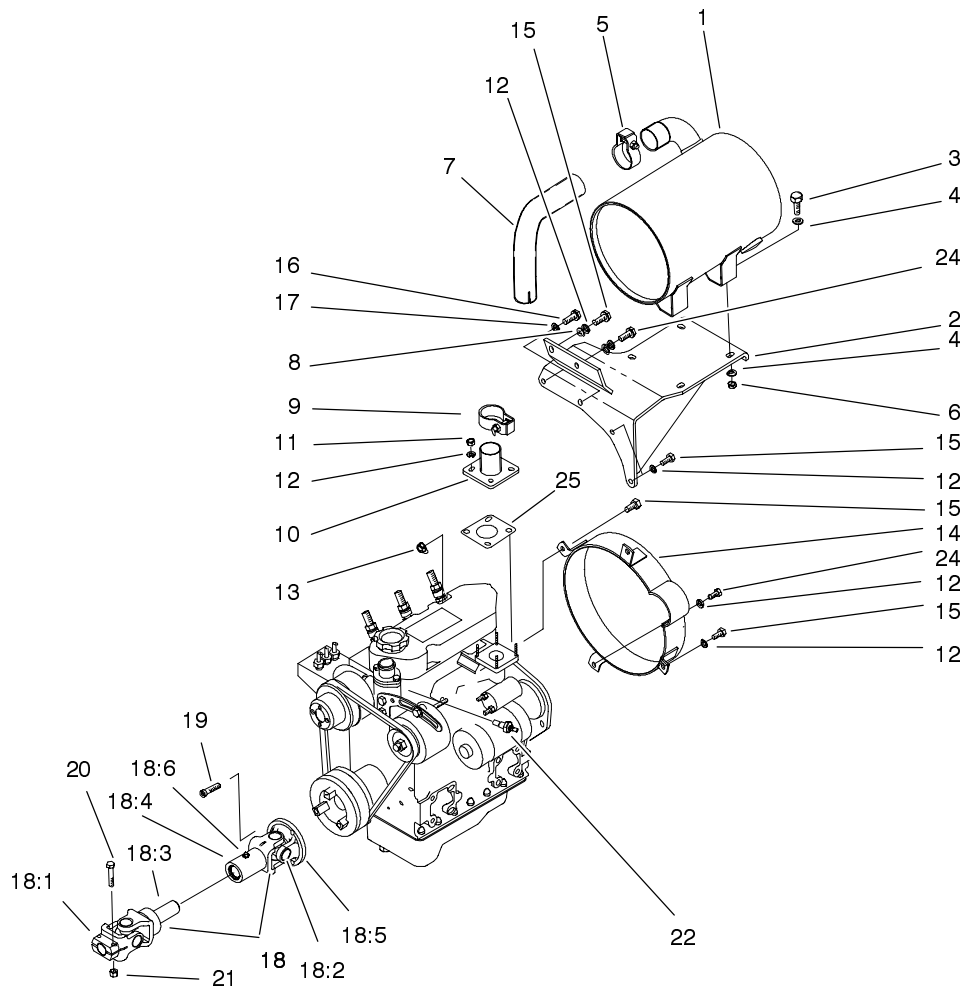


Sheet No.:14  
T-3420

## Engine Installation Assembly

Ref. No.	Part No.	Qty.	Description
1	83-1050	4	Spacer
2	83-1030	4	Mount-Engine
3	322-6	1	Screw-HH
4	98-4539-03	1	Bracket-Eng Mt, LH
5	98-4543-03	1	Bracket-Eng Mt, RH
6	98-9749	1	Plate - Throttle
7	3253-21	1	Washer-Lock
8	3-6657	1	Clip-Skid
10	322-4	2	Screw-HH
11	98-4513-03	2	Brkt - Engine, Rear
12	93-0095-03	2	Bracket-Engine, Front
13	3213-2	8	Screw-HH
14	2412-92	1	Clamp-Hose
15	98-9322	1	Bolt-HH, Metric
16	3255-9	2	Washer-Lock/Ext
17	98-4598	1	Cable-Battery, Negative
18	99-8981	1	Engine-Kubota, Turbo
19	3296-29	11	Nut-Lock, NI
20	3256-78	1	Washer-Flat
21	43-5930	1	Washer-Spring
22	48-7890	1	Nut
23	98-4594-01	1	Clamp - Retainer
24	32128-36	3	Nut-HF
25	98-4515-03	1	Bracket-Rear Engine, LH

Ref. No.	Part No.	Qty.	Description
26	98-4514-03	1	Bracket-Rear Engine, RH
27	323-12	3	Screw-HH
28	3253-7	8	Washer-Lock/Sp
29	87-5100	4	Washer - Snubbing
30	3256-40	4	Washer-Flat
31	43-0090	14	Bolt/Washer
32	42-9600	14	Lockwasher-Spring, Mid
33	323-10	1	Screw-HH
34	322-5	7	Screw-HH

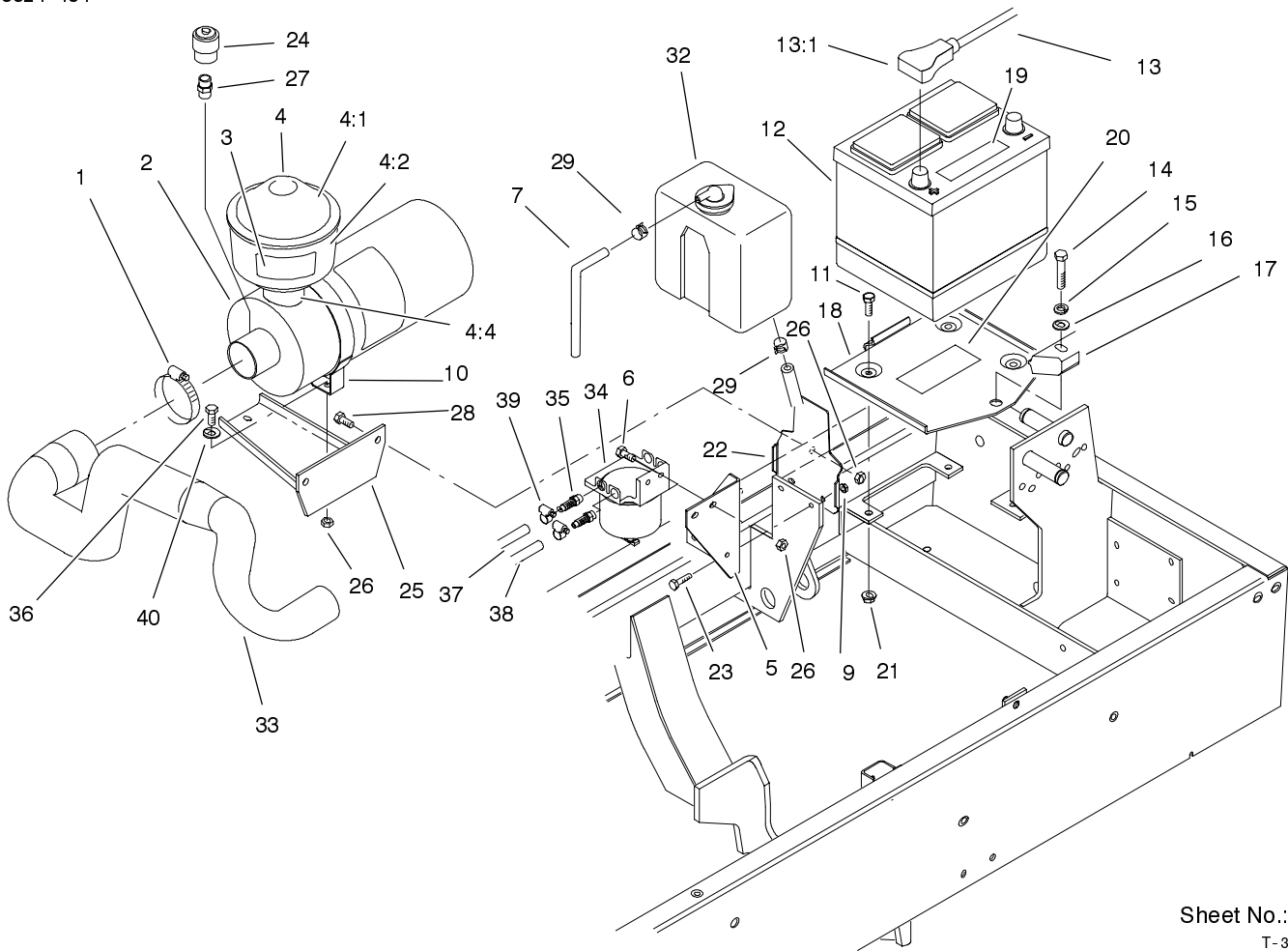


Sheet No.:15  
T-3421

## Muffler And Pump Drive Assembly

Ref. No.	Part No.	Qty.	Description
1	98-9794	1	Muffler - Exhaust
2	98-4555-03	1	Bracket-Muffler
3	323-7	4	Screw-HH
4	3256-4	8	Washer-Flat
5	98-9310	1	Clamp - Muffler
6	3296-39	4	Nut-Lock, NI
7	98-4524	1	Tube - Exhaust 31 HP
8	33094-00	2	Washer-Flat
9	98-9309	1	Clamp - Muffler
10	98-4527	1	Pipe-Exhaust, Engine
11	33014-00	4	Nut-Hex
12	42-9850	10	Washer-Lock, Spring
13	33024-00	1	Nut-Lock, NI
14	98-4564-03	1	Guard - Flywheel,
15	33114-025	5	Screw-HH
16	43-0090	2	Bolt/Washer
17	42-9600	2	Lockwasher-Spring, Mid
18	98-4593	1	Driveshaft ASM
18:1	98-9768	1	Yoke
18:2	98-9766	2	Kit - Universal Joint
18:3	98-9765	1	Yoke & Shaft
18:4	98-9767	1	Tube - Yoke Series 6
18:5	98-9769	1	Flange - Yoke Series 6

Ref. No.	Part No.	Qty.	Description
18:6	302-5	3	Fitting-Lube
19	98-9322	3	Bolt-HH, Metric
20	322-9	2	Screw-HH
21	3296-29	2	Nut-Lock, NI
22	98-9346	1	Sender - Temperature
24	33114-020	2	Screw-HH
25	98-9611	1	Gasket



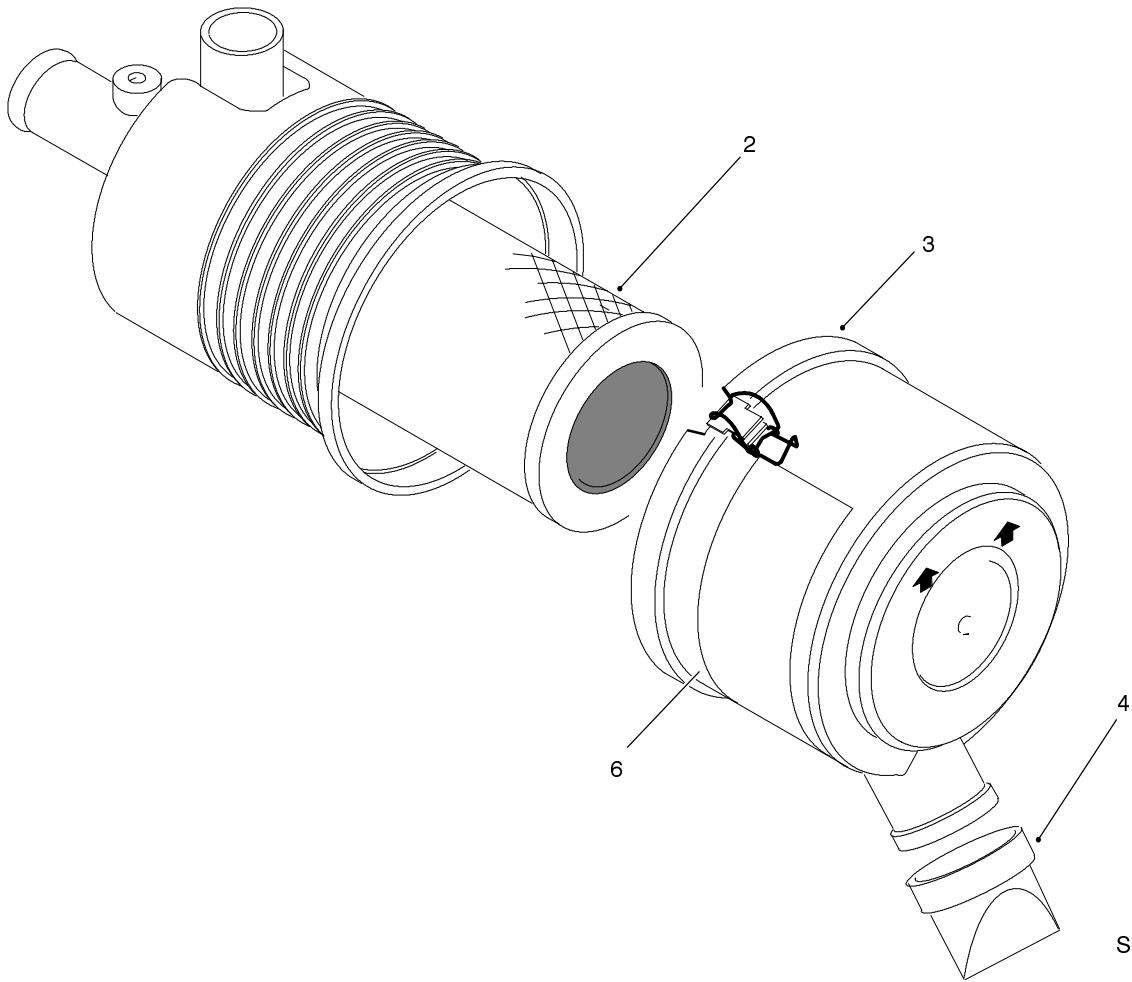
Sheet No.:16  
T-3422

## Engine Components Assembly

Ref. No.	Part No.	Qty.	Description
1	2412-42	1	Clamp-Hose
2	98-4517	1	Air Cleaner ASM
3	93-6692	1	Decal-Fluid, Starting
4	48-7430	1	Precleaner
4:1	33-1260	1	Cover ASM
4:2	33-1270	1	Bowl-Clear
*4:3	62-6300	1	Sleeve ASM
4:4	94-6873	1	Clamp
5	98-4578-03	1	Bracket-Filter, Fuel
6	3234-29	2	Screw-HHF
7	63-7630	1	Hose
9	32128-33	2	Nut-HF
10	98-4525	1	Bracket-Cleaner, Air
11	322-4	3	Screw-HH
12	66-2750	1	Battery
13	98-4599	1	Cable - Battery Positive
13:1	28-1280	1	Battery Cable Boot
14	323-9	1	Screw-HH
15	3253-21	1	Washer-Lock
16	3256-24	1	Washer-Flat
17	66-2490	1	Retainer-Battery
18	94-7343	1	Base-Battery, ASM
19	93-6668	1	Decal - Battery
20	93-7276	1	Decal - Danger
21	32128-20	3	Nut-HF

Ref. No.	Part No.	Qty.	Description
22	98-4576-03	1	Bracket-Reservoir, Water
23	321-5	2	Screw-HH
24	93-9164	1	Indicator - Mini
25	98-4518-03	1	Bracket-Cleaner, Air
26	3296-29	8	Nut-Lock, NI
27	94-1416	1	Indicator Adapter ASM
28	322-5	2	Screw-HH
29	92-2379	2	Clamp-Hose
*30	3290-378	1	Tie-Cable
*31	3290-379	2	Tie-Cable
32	98-9323	1	Bottle-Overflow, Water
33	98-4509	1	Hose - Air Cleaner
34	98-9305	1	Filter-Water/Fuel
35	353-783	2	Fitting-Pump
36	322-6	2	Screw-HH
37	71-3381	1	Hose-Fuel
38	95-4275	1	Hose - Fuel
39	2412-108	4	Clamp-Worm
40	3256-23	2	Washer-Flat

\* Not illustrated

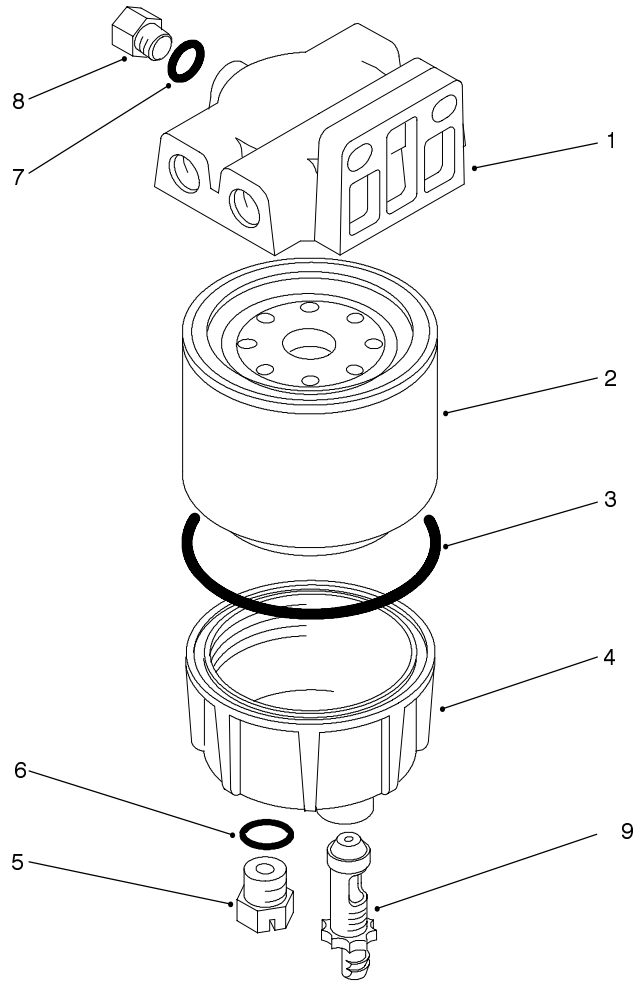


Sheet No.:B1  
T-2903

### Air Cleaner Assembly No. 98-4517

Ref. No.	Part No.	Qty.	Description
2	98-9763	1	Element ASM
3	98-9771	1	Cover ASM
4	94-1414	1	Valve - Vacuator
6	98-9788	1	Decal - Instruction

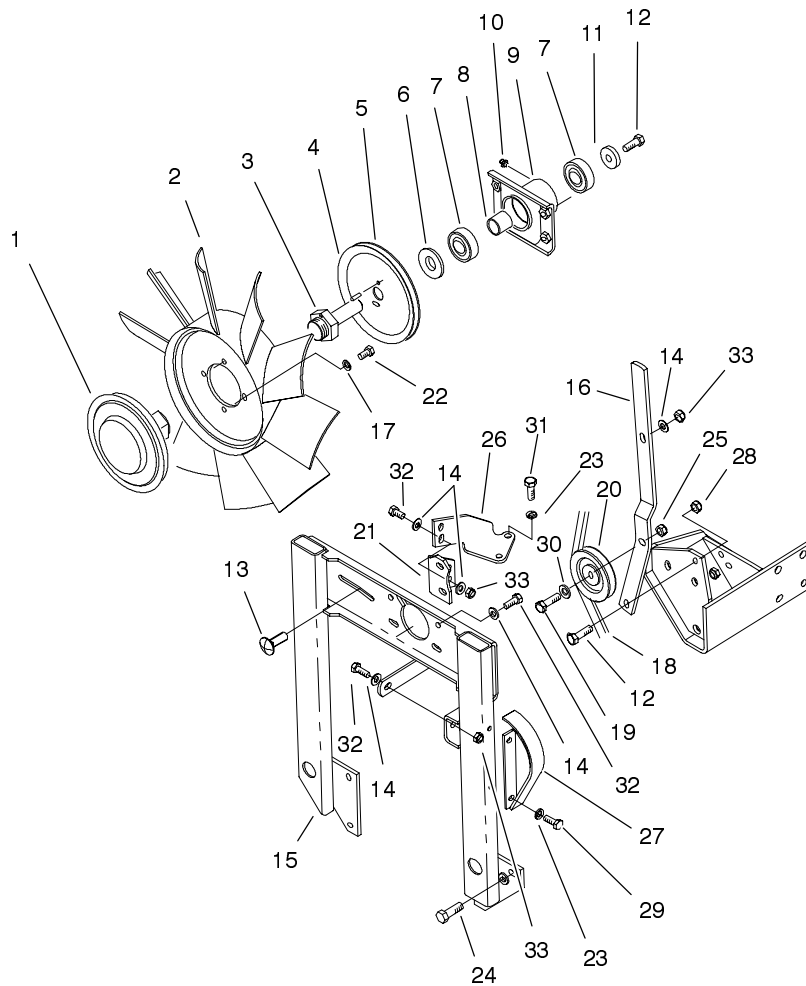
Ref. No.	Part No.	Qty.	Description



Sheet No.:B2  
T-3330

## Water/Fuel Separator Assembly No. 98-9305

Ref. No.	Part No.	Qty.	Description	Ref. No.	Part No.	Qty.	Description
1	98-9772	1	Head - Filter				
2	98-9764	1	Element-On, Spin				
3	98-9774	1	O-Ring-Base, Filter				
4	98-9775	1	Base - Filter				
5	98-9773	1	Plug - Base, Filter				
6	237-42	1	O-Ring				
7	237-78	1	O-Ring				
8	98-9776	1	Plug-Filter, Head				
9	98-9777	1	Drain Valve ASM				

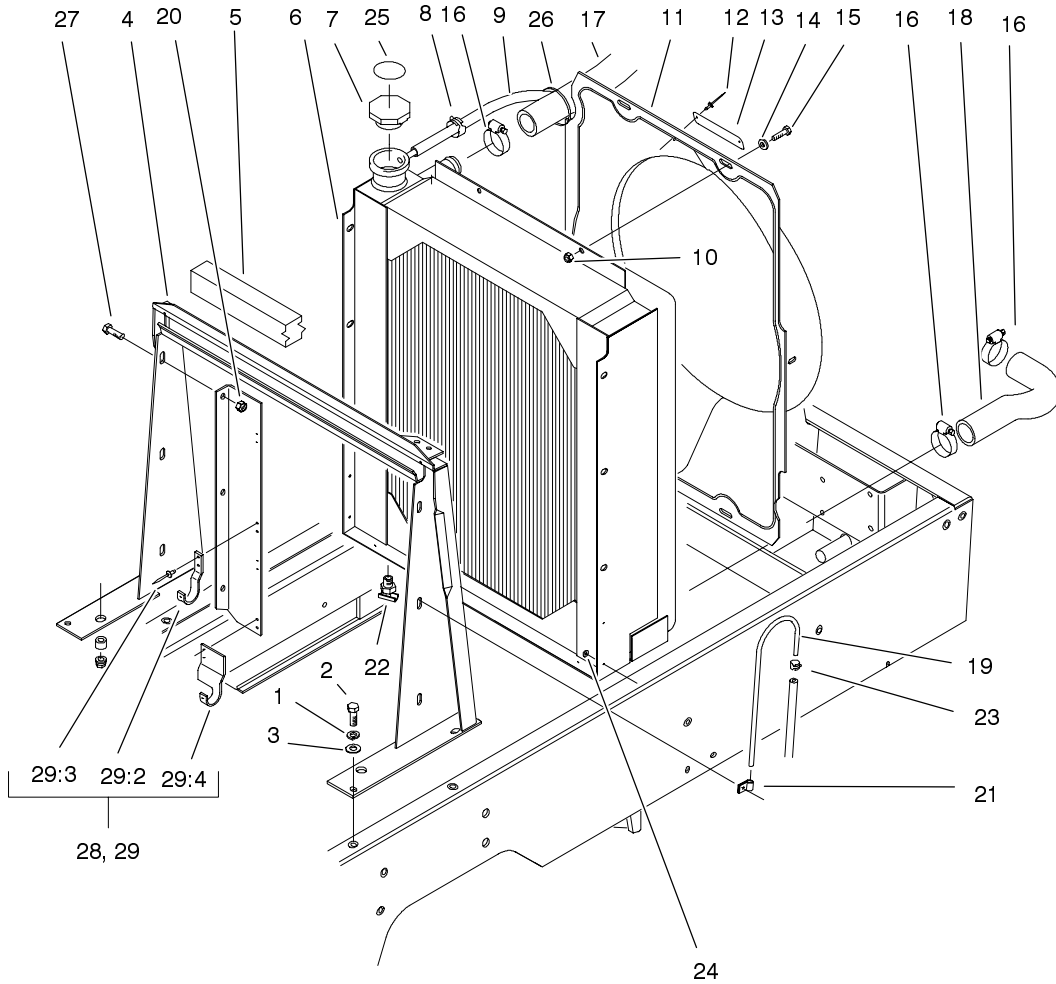


Sheet No.:17  
T-3423

## Engine Fan And Clutch Installation Assembly

Ref. No.	Part No.	Qty.	Description
1	74-5520	1	Clutch - Fan
2	75-3780	1	Fan-Engine
3	75-6380	1	Shaft - Fan
4	32121-2	2	Pin-Roll
5	98-9743	1	Pulley - Drive, Fan
6	47-0110	1	Spacer-Spindle
7	251-318	2	Bearing
8	75-5310	1	Spacer - Bearing
9	75-4450-03	1	Hub
10	302-2	1	Fitting-Grease
11	67-1630	1	Spacer
12	323-6	2	Screw-HH
13	3230-2	1	Screw-CARR
14	3256-23	9	Washer-Flat
15	98-4530-03	1	Support-Fan
16	98-4575-03	1	Lever-Idler, Fan
17	3253-4	4	Washer
18	98-9744	1	Belt - Fan
19	323-8	1	Screw-HH
20	63-8140	1	Pulley-Idler
21	98-9740	1	Bracket - Fan, Support
22	322-2	4	Screw-HH
23	42-9850	4	Washer-Lock, Spring
24	3234-29	6	Screw-HHF
25	3296-59	1	Nut-Lock, NI

Ref. No.	Part No.	Qty.	Description
26	98-9741	1	Bracket - Mount, Fan
27	98-4561-03	1	Shield-Alternator
28	3296-39	1	Nut-Lock, NI
29	32144-14	2	Screw-HWH
30	3256-24	1	Washer-Flat
31	33114-016	2	Screw-HH
32	322-4	7	Screw-HH
33	3296-29	4	Nut-Lock, NI



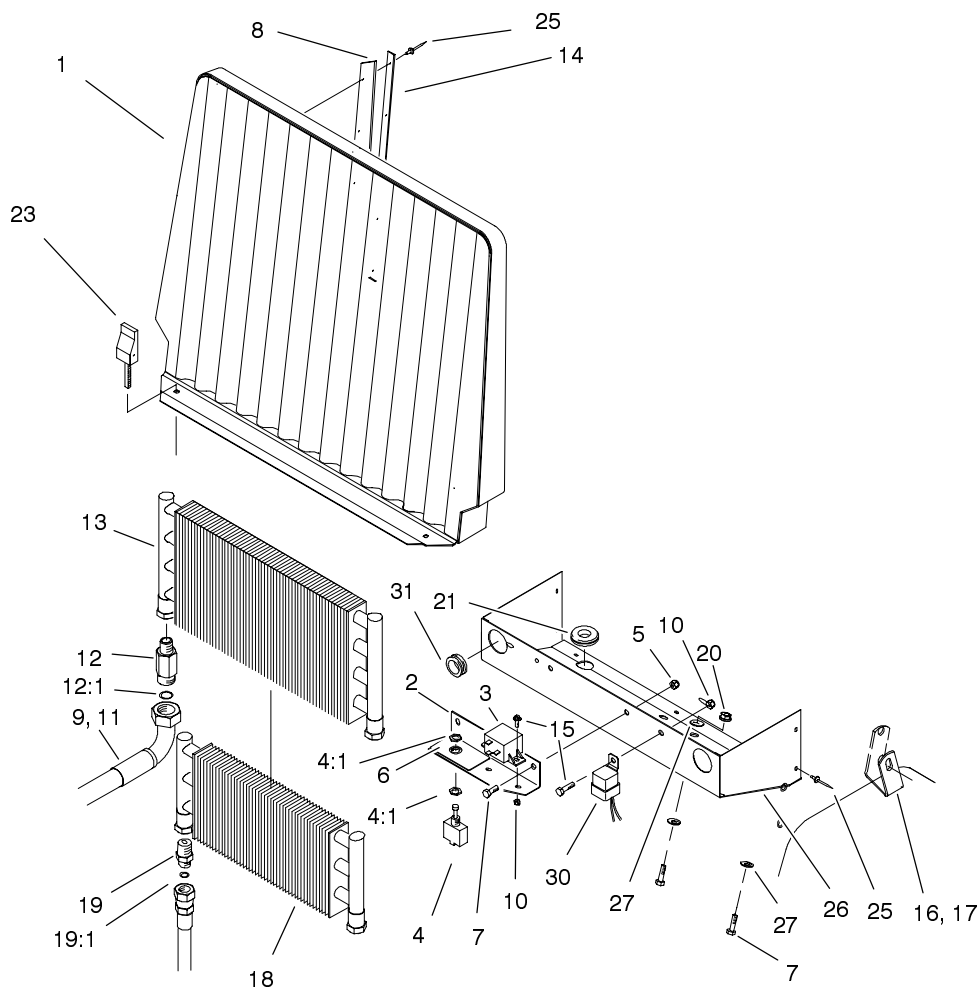
Sheet No.:18  
T-3424

## Radiator Frame Assembly

Ref. No.	Part No.	Qty.	Description
1	3253-4	4	Washer
2	322-5	4	Screw-HH
3	3256-23	4	Washer-Flat
4	98-9317-03	1	Support-Radiator
5	93-0005	1	Strip-Foam, Radiator Top
6	98-4507	1	Radiator
7	66-3240	1	Cap-Radiator
8	92-2379	1	Clamp-Hose
9	75-2851	1	Hose - Expansion Tank
10	3296-42	4	Nut-Lock
11	98-4571	1	Shroud - Fan
12	3290-271	2	Rivet-Pop
13	98-9335	1	Plate-Warning, Fan
14	3256-22	4	Washer-Flat
15	321-4	4	Screw-HH
16	2412-34	4	Clamp-Hose
17	98-4511	1	Hose-Radiator, Upper
18	98-4508	1	Hose - Rad., Lower
19	66-3180	1	Tube-Vent
20	32128-20	6	Nut-HF
21	2412-103	2	Clamp
22	304-46	1	Draincock
23	2412-98	1	Clamp
24	3269-10	5	Washer-Back

Ref. No.	Part No.	Qty.	Description
25	93-7840	1	Decal-Cap, Radiator
26	3290-379	1	Tie-Cable
27	3234-5	6	Screw-HHF
28	93-0071	1	LH Cooler Mount ASM
*28:2	75-0930	2	Hook - Cooler Mount
*28:3	3269-15	8	Rivet
*28:4	93-0089	2	Bracket - Cooler Mount,LH
29	93-0030	1	RH Cooler Mount ASM
29:2	75-0930	2	Hook - Cooler Mount
29:3	3269-15	8	Rivet
29:4	93-0090	2	Bracket - Cooler Mount,RH

\* Not illustrated



Sheet No.: 19

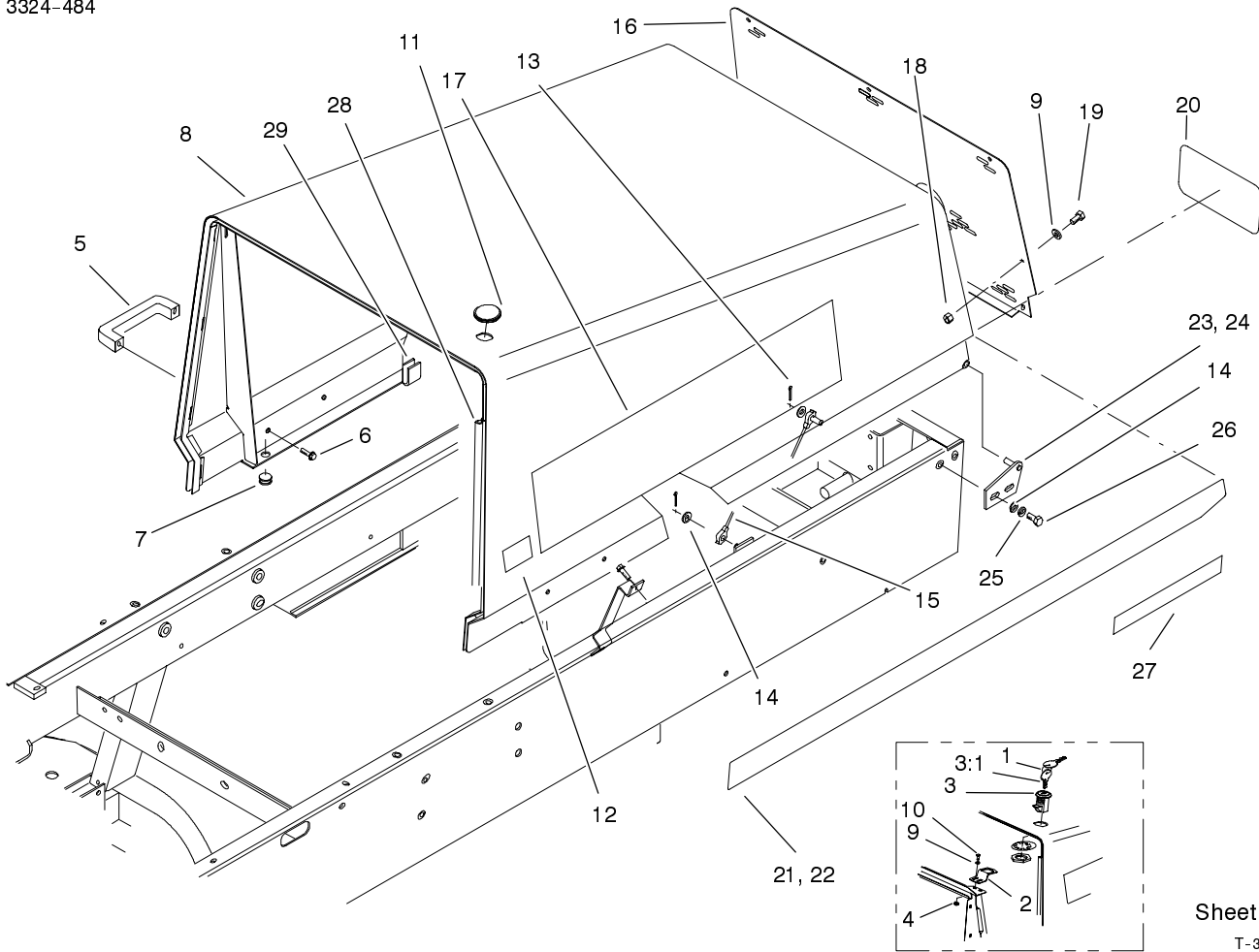
T-3425

## Oil Cooler Assembly

Ref. No.	Part No.	Qty.	Description
1	93-0032-03	1	Housing-Screen, Front
2	75-3390-03	1	Bracket-Backlap
3	66-8800	1	Relay
4	99-8352	1	Switch - Backlap
4:1	218-498	2	Locknut-Hex
*4:2	218-588	3	Screw
*4:3	218-589	1	Washer
*4:4	3253-19	3	Washer-Lock/Sp
5	3296-29	2	Nut-Lock, NI
6	93-6684	1	Decal - Backlap
7	322-2	4	Screw-HH
8	93-3623	2	Strip-Sealing, Radiator
9	93-0077	1	Hose ASM
10	3296-42	3	Nut-Lock
11	93-0078	1	Hose ASM
12	92-4999	2	Fitting
12:1	237-65	1	O-Ring
13	75-1040	1	Cooler-Oil
14	93-3624-03	2	Plate- Retaining
15	321-4	3	Screw-HH
16	98-4591	1	Clamp - Hose, LH
17	98-4592	1	Clamp - Hose, RH
18	24-0760	1	Cooler ASM
19	340-124	2	Adapter

Ref. No.	Part No.	Qty.	Description
19:1	237-22	1	O-Ring
20	32128-20	2	Nut-HF
21	100-3815	2	Grommet-Rubber
*22	218-498	2	Locknut-Hex
23	93-1374	2	Latch - Swell
*24	218-588	3	Screw
25	3269-13	15	Rivet-Pop
26	93-0025-03	1	Shield-Radiator
27	3256-2	4	Washer-Flat
*28	218-589	1	Washer
*29	3253-19	3	Washer-Lock/Sp
30	63-7590	1	Relay
31	240-3	2	Grommet-Rubber

\* Not illustrated



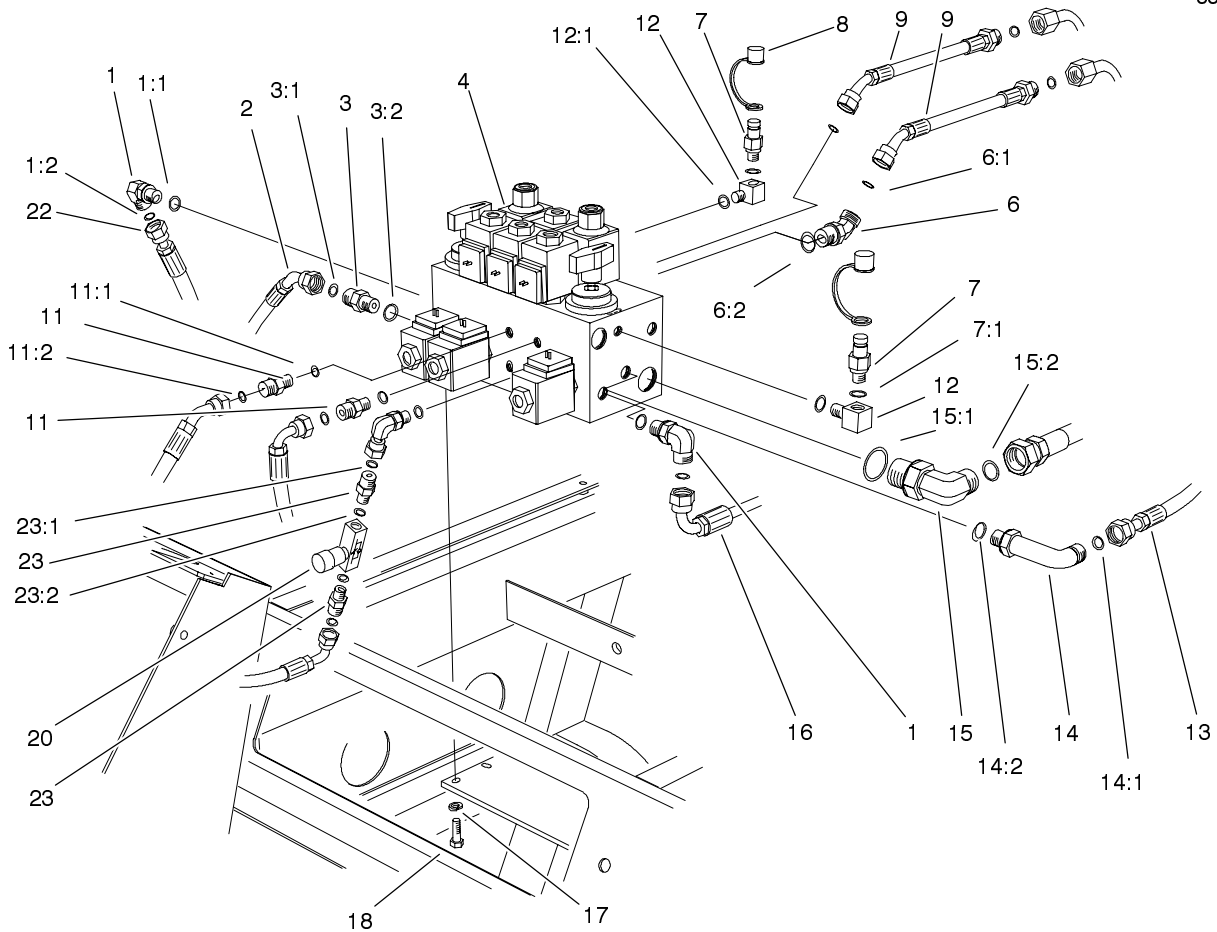
Sheet No.:20

T-3426

## Frame And Body Assembly

Ref. No.	Part No.	Qty.	Description
1	98-9321	1	Ring-Key
2	98-9316	1	Latch - Hood
3	98-9315	1	Latch - Locking
3:1	99-8350	2	Key - Latch, Locking
4	3296-16	2	Nut-Lock, NI
5	65-5100	2	Handle-Door
6	46-8091	4	Screw-HWH
7	237-141	2	Grommet-Rubber
8	98-9746	1	Hood & Carton ASM
9	3256-1	9	Washer-Flat
10	321-4	2	Screw-HH
11	98-9314	1	Grommet
12	93-7252	1	Decal-International
13	3272-4	2	Pin-Cotter
14	3256-23	6	Washer-Flat
15	75-0570	1	Cable - Hood
16	98-4573-03	1	Screen - Hood, Rear
17	98-4522	2	Decal - Rm 5400d
18	3296-42	7	Nut-Lock
19	321-39	7	Screw-HH
20	62-7400	1	Decal-Toro
21	92-5751	1	Decal - Hood, LH
22	92-5752	1	Decal - Hood, RH
23	63-6900-01	1	Plate-Hood Hinge, LH
24	63-6890-01	1	Plate-Hood Hinge, RH
25	3253-4	4	Washer

Ref. No.	Part No.	Qty.	Description
26	322-5	4	Screw-HH
27	72-3560	1	Decal
28	93-0081	1	Strip-Seal
29	99-8975	1	Strip-Seal



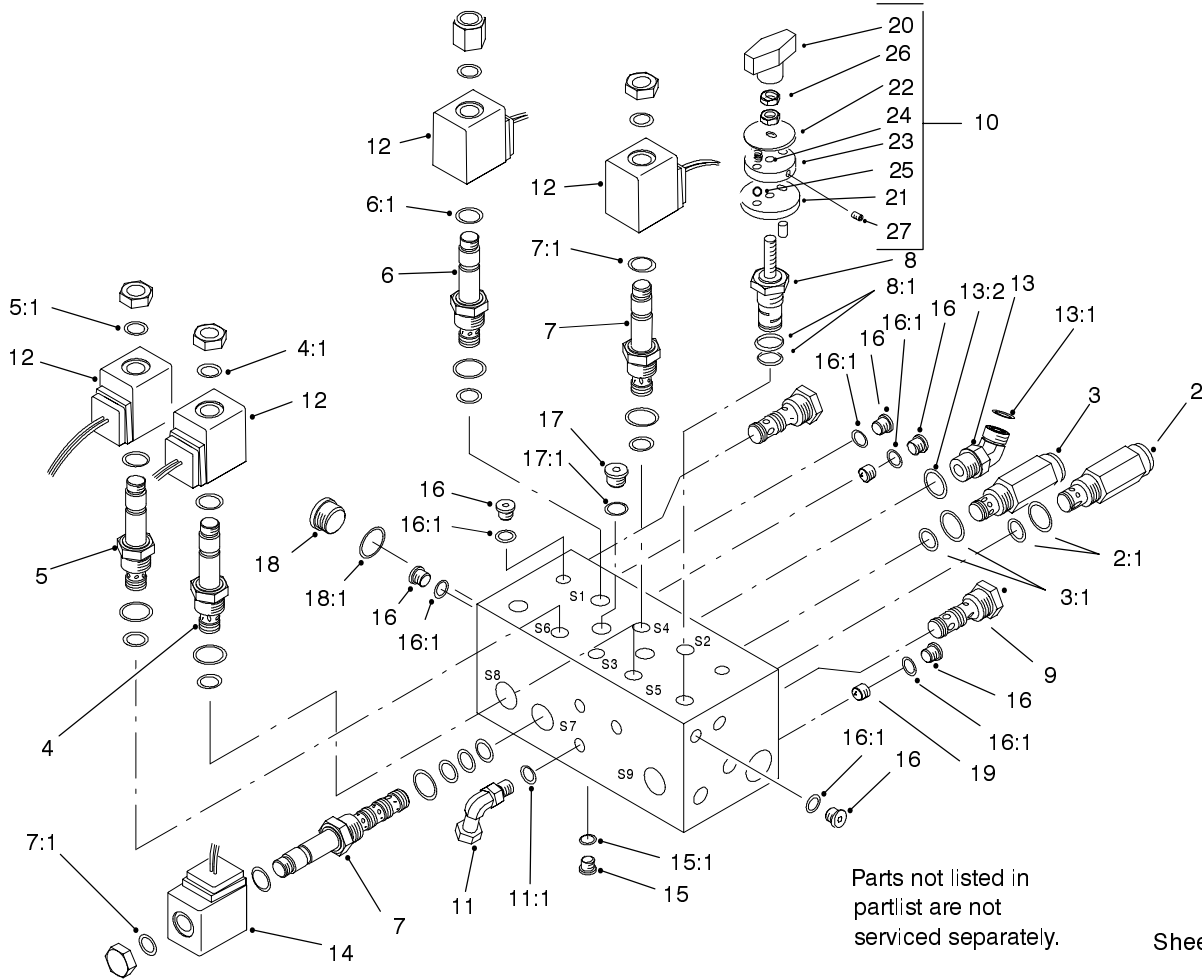
Sheet No.:21  
T-3427

## Hydraulic Control Block And Hoses Assembly

Ref. No.	Part No.	Qty.	Description
1	340-98	2	Fitting-90°
1:1	237-79	2	O-Ring
1:2	237-30	2	O-Ring
2	100-3879	1	Hose Assembly - Hydraulic
3	340-4	1	Adapter
3:1	237-30	1	O-Ring
3:2	237-79	1	O-Ring
4	98-4579	1	Hydraulic Manifold ASM
6	340-101	1	Fitting
6:1	237-30	1	O-Ring
6:2	237-79	1	O-Ring
7	354-77	2	Fitting-Quick
7:1	237-78	2	O-Ring
8	354-79	2	Cap - Fitting, Yellow
9	86-9190	2	Hose
11	340-92	2	Fitting
11:1	237-78	1	O-Ring
11:2	237-21	1	O-Ring
12	75-6640	2	Fitting - Special
12:1	237-78	2	O-Ring
13	98-9348	1	Hydraulic Hose ASM
14	98-9781	1	Fitting - 90°, Orfs
14:1	237-30	1	O-Ring
14:2	237-79	1	O-Ring

Ref. No.	Part No.	Qty.	Description
15	340-139	1	Fitting-90°
15:1	237-81	1	O-Ring
15:2	237-65	1	O-Ring
16	98-9347	1	Hydraulic Hose ASM
17	3253-4	4	Washer
18	322-3	4	Screw-HH
20	98-9742	1	Valve-Control, Flow
22	100-3878	1	Hose Assembly - Hydraulic
23	340-1	2	Adapter
23:1	237-35	1	O-Ring
23:2	237-42	1	O-Ring
*24	3290-378	1	Tie-Cable

\* Not illustrated



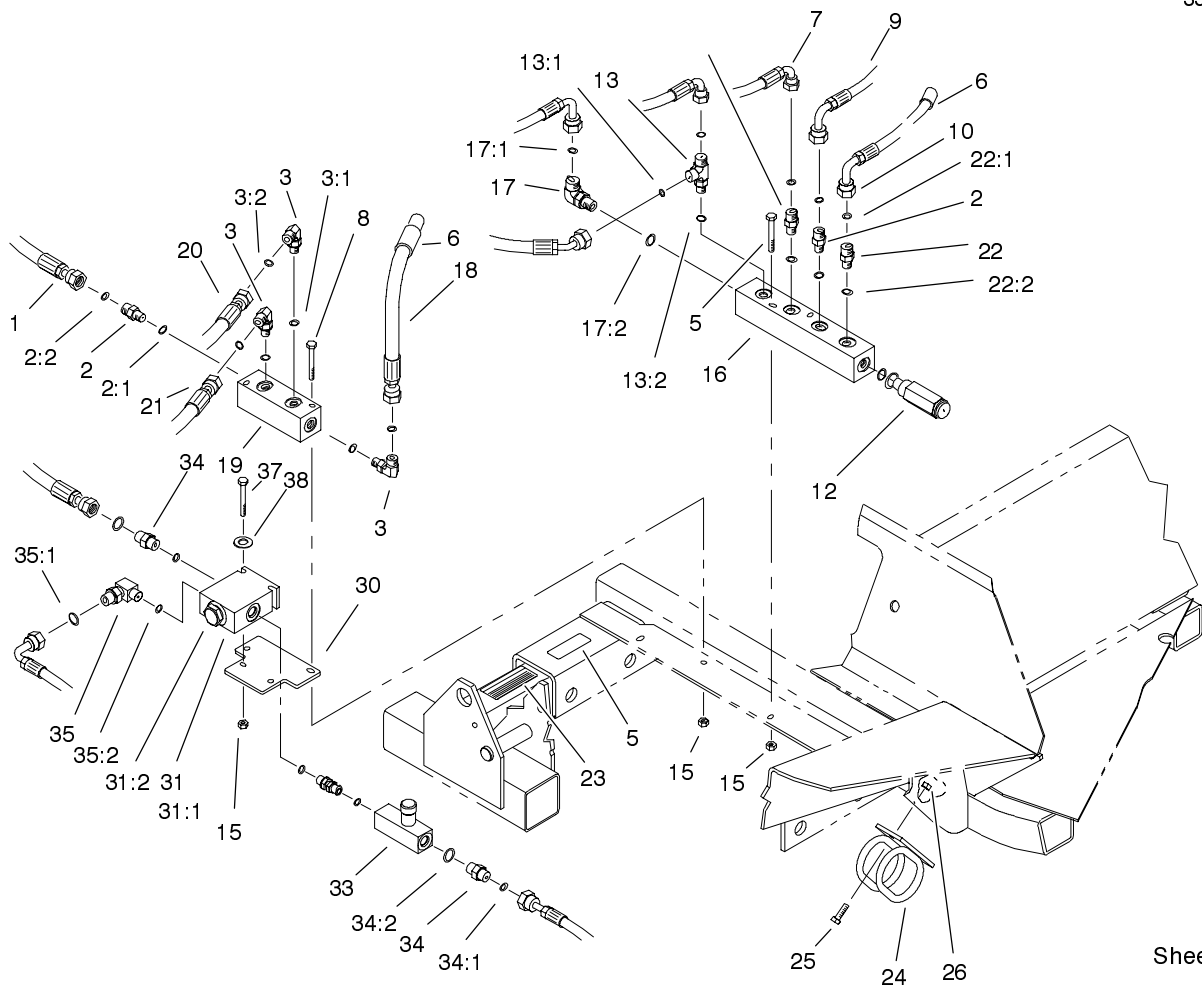
Sheet No.:B3  
T-1503-3

## Hydraulic Manifold Assembly No. 98-4579

Ref. No.	Part No.	Qty.	Description
2	75-2010	1	Cartridge - Relief Da
2:1	95-5645	1	Seal Kit
3	75-0920	1	Cartridge-Relief
*3:1	95-5645	1	Seal Kit
4	94-2685	3	Cartridge - N.c. Spool
*4:1	95-5645	1	Seal Kit
5	92-6315	1	Cartridge-N.c. Poppet
*5:1	69-4230	1	Kit-Seal
6	88-7020	2	Cartridge-N.o. Spool
6:1	95-5645	1	Seal Kit
7	88-6960	3	Cartridge-4w/2p
7:1	95-5642	1	Seal Kit
8	98-9779	2	Cartridge - Flow
8:1	95-5645	1	Seal Kit
9	69-4120	2	Cartridge-Logic
9:1	69-4240	1	Kit-Seal
10	94-3660	1	Kit-Detent
10:1	94-5020	1	Knob ASM
10:2	94-5025	1	Plate - Locating
10:3	94-5026	1	Plate-Indicator
10:4	3218-1	2	Nut-Jam
10:5	94-5023	1	Plate - Detent
10:5:1	3245-36	1	Screw - HSH
10:6	94-5027	2	Spring
10:7	255-13	2	Ball-Steel, Stainless

Ref. No.	Part No.	Qty.	Description
11	340-143	1	Elbow - 90° Swivel
11:1	237-78	1	O-Ring
12	88-9190	6	Kit-Coil, Solenoid
13	340-101	1	Fitting
13:1	237-30	1	O-Ring
13:2	237-79	1	O-Ring
14	88-9200	3	Solenoid Coil Kit
15	353-991	10	Plug-Hex, Hollow
15:1	237-156	1	O-Ring
16	353-990	15	Plug
16:1	237-78	1	O-Ring
17	353-989	1	Plug-Hex, Hollow
17:1	237-42	1	O-Ring
18	354-70	1	Plug-Hex, Hollow
18:1	237-80	1	O-Ring
19	98-9791	2	Plug - Orifice
20	94-5020	1	Knob ASM
21	94-5025	1	Plate - Locating
22	94-5026	1	Plate-Indicator
23	94-5023	1	Plate - Detent
23:1	3245-36	1	Screw - HSH
24	94-5027	2	Spring
25	255-13	2	Ball-Steel, Stainless
26	3218-1	2	Nut-Jam
27	3245-36	1	Screw - HSH

\* Not illustrated



Sheet No.:22  
T-3428

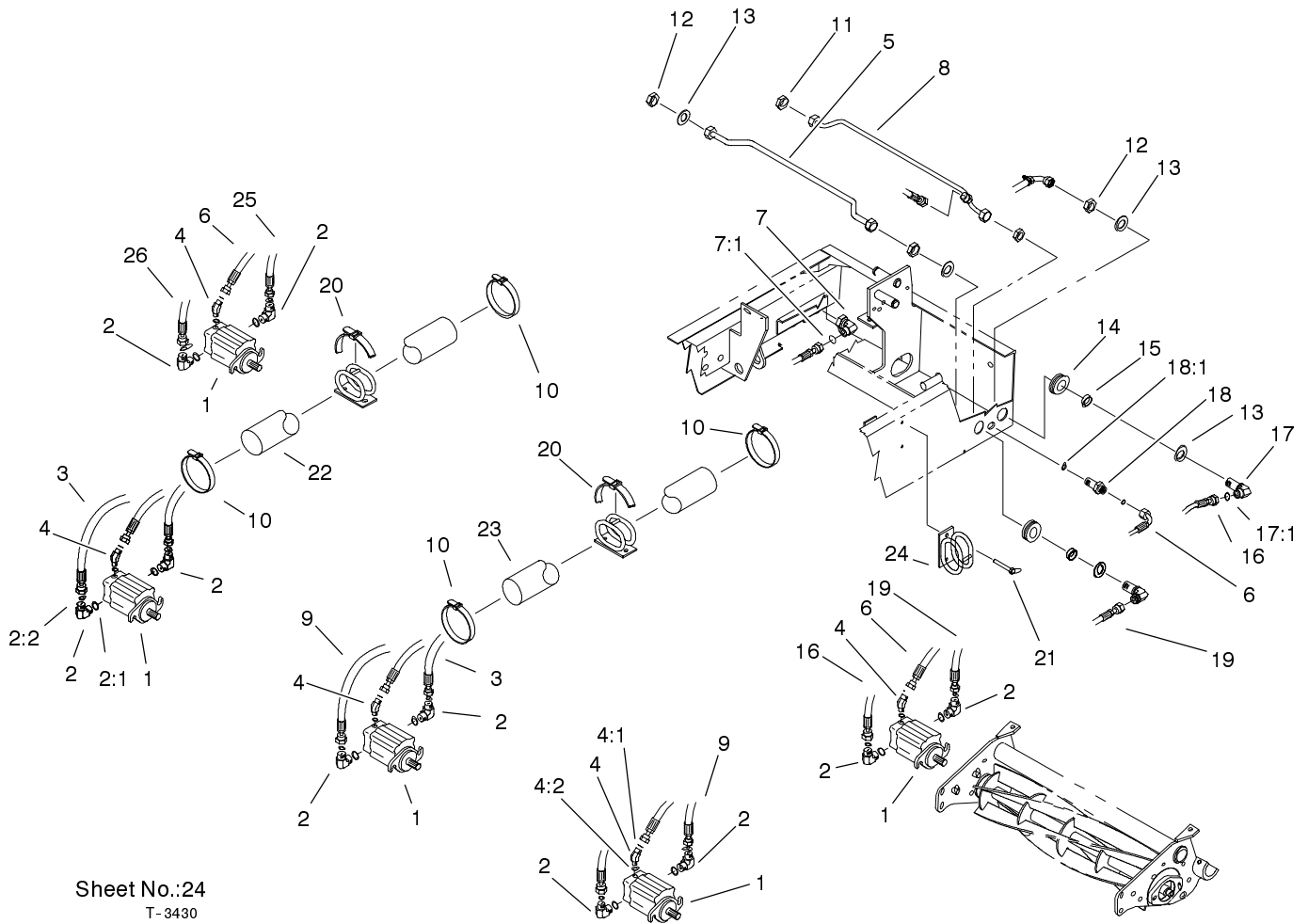
## Front Hydraulic Manifold Assembly

Ref. No.	Part No.	Qty.	Description
1	98-4584	1	Hydraulic Hose ASM
2	340-92	3	Fitting
2:1	237-78	1	O-Ring
2:2	237-21	1	O-Ring
3	340-132	3	Elbow-90°
3:1	237-78	1	O-Ring
3:2	237-21	1	O-Ring
5	93-6686	1	Decal-Oil, Hydraulic
6	38-3400	2	Guard-Rubber
7	75-5910	1	Hose
8	321-18	4	Screw-HH
9	93-0118	1	Hose ASM
10	93-0119	1	Hose ASM
12	93-0143	1	Cartridge-Relief, P.o.
13		1	Adapter Tee
13:1	237-21	2	O-Ring
13:2	237-78	1	O-Ring
15	3296-42	6	Nut-Lock
16	93-0139	1	Block-Manifold, 6 Port
17	340-77	1	Fitting-90°
17:1	237-22	1	O-Ring
17:2	237-42	1	O-Ring
18	92-9096	1	Hose
19	75-1180	1	Block-Manifold, 4 Port
20	98-4587	1	Hydraulic Hose ASM
21	98-4590	1	Hydraulic Hose ASM

Ref. No.	Part No.	Qty.	Description
22	340-2	2	Adapter
22:1	237-22	1	O-Ring
22:2	237-42	1	O-Ring
23	93-6693	1	Decal-Plate, Floor
24	99-5621	2	Guide-Hose
25	322-5	4	Screw-HH
26	3296-29	4	Nut-Lock, NI
31		1	Divider-Flow
*31:1	99-5645	1	Body
*31:2	99-5646	1	Cartridge
*31:3	353-989	1	Plug-Hex, Hollow
31:3:1	237-42	1	O-Ring
*31:4	99-5647	1	Seal Kit
33	98-9742	1	Valve-Control, Flow
34		2	Adapter
34:1	237-35	1	O-Ring
34:2	237-42	1	O-Ring
35		1	Adapter
35:1	237-42	1	O-Ring
35:2	237-21	1	O-Ring
37	321-11	2	Screw-HH
38	3256-2	2	Washer-Flat

\* Not illustrated





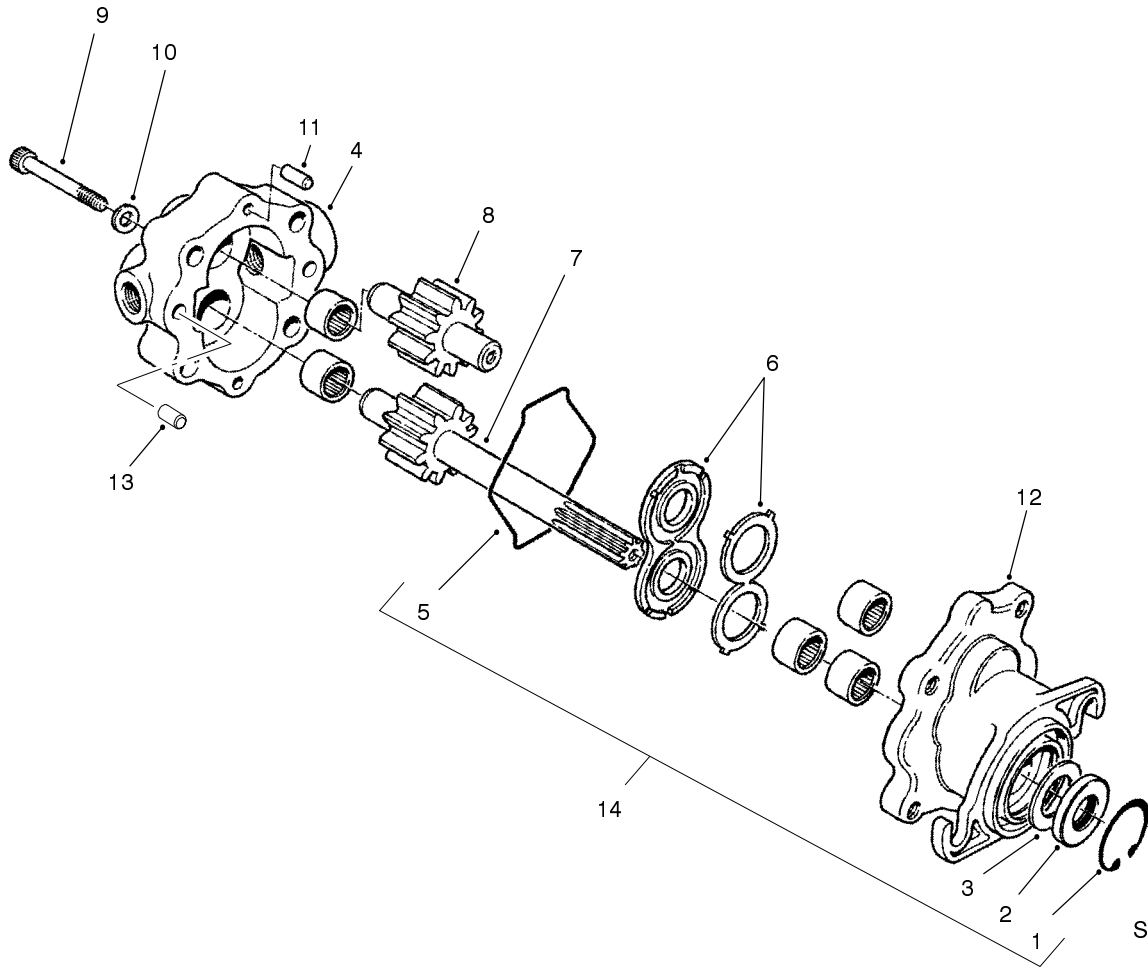
Sheet No.:24  
T-3430

### Reel Motors Assembly

Ref. No.	Part No.	Qty.	Description
1	93-1375	5	Motor-Reel
2	340-98	10	Fitting-90°
2:1	237-79	2	O-Ring
2:2	237-30	2	O-Ring
3	100-3875	1	Hose Assembly - Hydraulic
4	340-103	5	Fitting
4:1	237-78	2	O-Ring
4:2	237-21	2	O-Ring
5	94-4918	1	Tube ASM
6	98-4583	2	Hydraulic Hose ASM
7	94-6031	1	Fitting-Hydraulic
7:1	237-30	1	O-Ring
8	100-3714	1	Drain Tube ASM
*8:1	237-21	1	O-Ring
9	100-3874	1	Hydraulic Hose ASM
10	3290-379	10	Tie-Cable
11	340-70	2	Locknut-Bulkhead
12	340-127	4	Nut-Bulkhead
13	69-8930	8	Washer
14	240-5	4	Grommet
15	69-8960	4	Spacer
16	100-3876	1	Hose Assembly - Hydraulic
17	93-9151	3	Fitting-Hydraulic
17:1	237-30	2	O-Ring

Ref. No.	Part No.	Qty.	Description
18	340-71	2	Fitting-Straight, Bulkhead
18:1	237-22	2	O-Ring
19	100-3877	1	Hose Assembly - Hydraulic
20	3334-945	3	Tie-Cable
21	32104-32	4	Screw-HH
22	99-5648	4	Sleeve-Protective
23	99-5617	1	Sleeve - Protection
24	99-5621	2	Guide-Hose
25	104-0057	1	Hose ASM-Hyd
26	104-0069	1	Hose ASM-Hyd
*27	100-3713	1	Fitting-Hyd, 90 Bulkhead
*27:1	237-30	2	O-Ring

\* Not illustrated



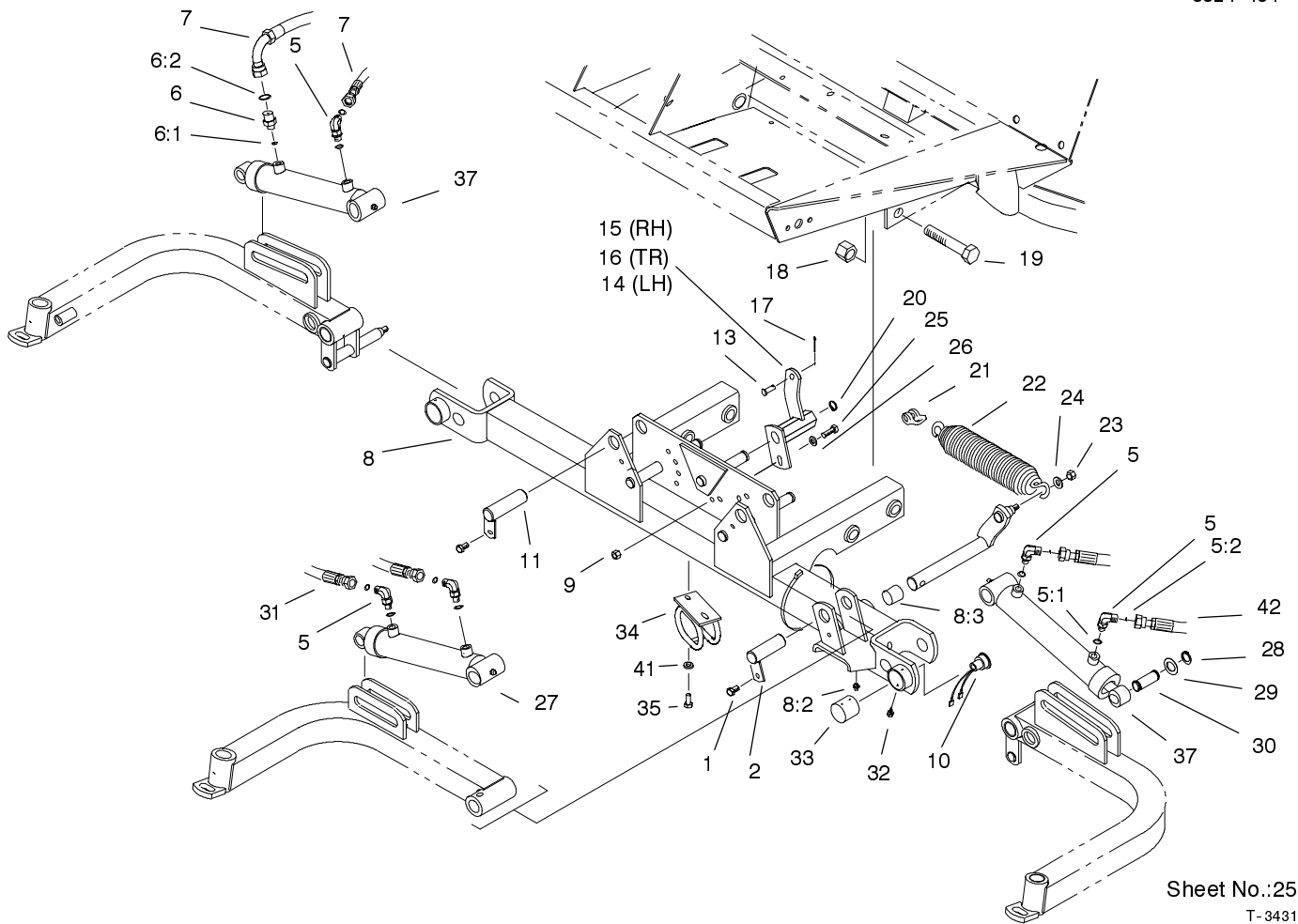
Sheet No.:B4  
T-3516

## Reel Motor Assembly No. 93-1375

Ref. No.	Part No.	Qty.	Description
1	32151-41	2	Ring-Snap
4	93-3614	2	Cover ASM
5	354-46	2	Ring-Seal
6	74-3810	2	Load Plate ASM
7	93-3615	2	Drive Shaft & Gear ASM
8	93-3616	2	Idler Shaft & Gear ASM
9	354-50	8	Screw-HSH
10	354-51	8	Washer
11	353-599	4	Pin-Dowel
12	92-8795	2	Body ASM
13	92-8796	4	Pin - Dowel
14	92-8863	2	Kit-Repair

Ref. No.	Part No.	Qty.	Description

\* Not Illustrated



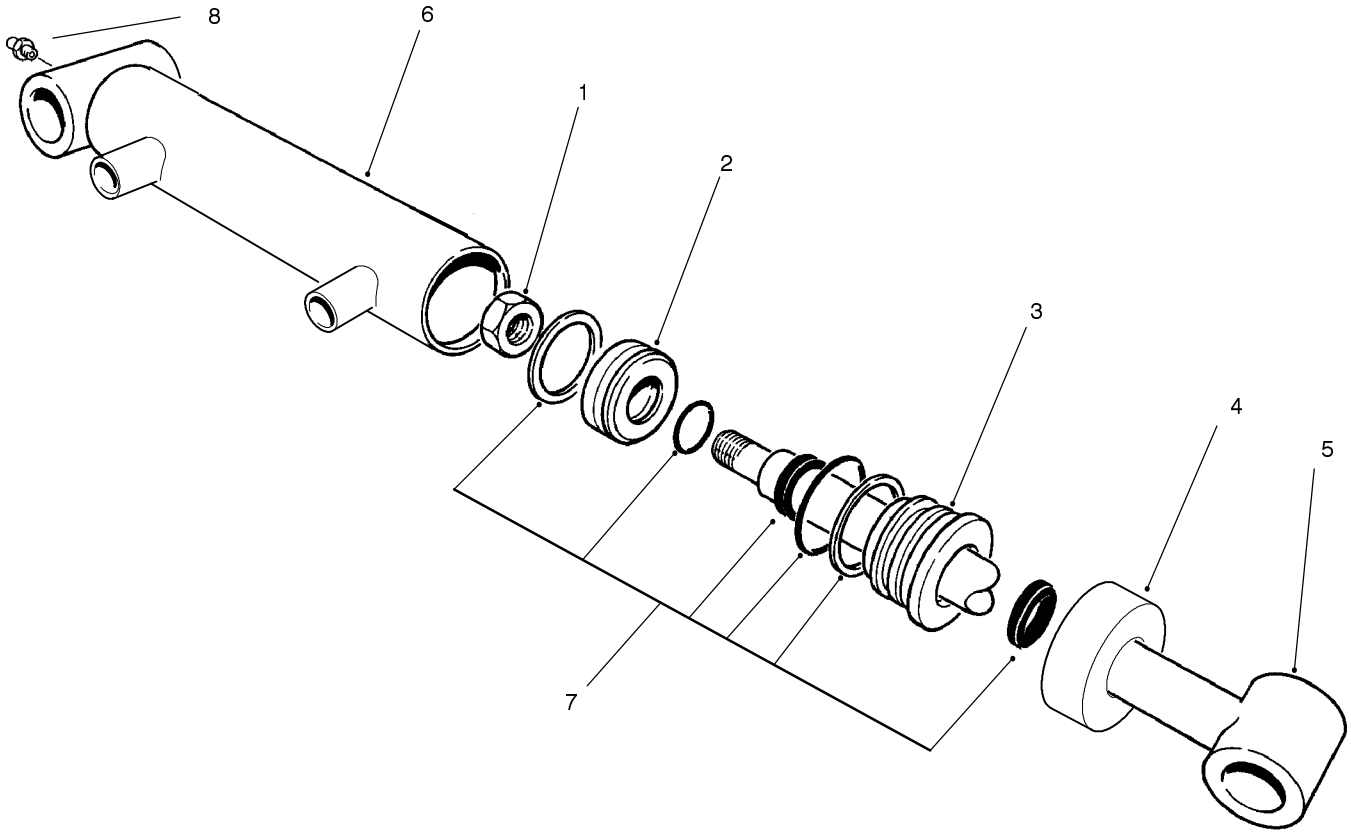
Sheet No.:25

T-3431

## Carrier Frame Assembly

Ref. No.	Part No.	Qty.	Description	Ref. No.	Part No.	Qty.	Description
1	32144-14	3	Screw-HWH	18	3296-51	4	Nut-Lock, NI
2	83-6790	1	Pin-Cylinder	19	328-7	4	Screw-HH
*4	340-143	1	Elbow - 90° Swivel	20	32151-48	3	E-Ring
4:1	237-78	1	O-Ring	21	282-4	3	Shackle
5	340-132	5	Elbow-90°	22	5-0743-03	3	Spring-Mower
5:1	237-78	2	O-Ring	23	3296-44	3	Nut-Lock NI
5:2	237-21	2	O-Ring	24	3256-24	3	Washer-Flat
6	340-92	1	Fitting	25	322-5	3	Screw-HH
6:1	237-78	1	O-Ring	26	3256-23	3	Washer-Flat
6:2	237-21	1	O-Ring	27	93-9310	1	Cylinder-Hydraulic
7	99-5641	2	Hose-Hydraulic	28	32120-93	6	Ring-Retaining
8	94-5808	1	Frame-Carrier	29	3-6498	6	Washer-Thrust
8:2	302-5	1	Fitting-Lube	30	75-5350	3	Pin-Slide, Cylinder
8:3	67-1750	2	Bushing	31	75-5900	1	Hose
9	3296-29	4	Nut-Lock, NI	32	32104-76	2	Screw-Slot, Acorn
10	92-8002	1	Plug-Reed Switch, Magnet	33	75-6370	1	Cap - Sensor
11	83-6780	2	Cylinder Pin	34	99-5621	1	Guide-Hose
12	3290-379	4	Tie-Cable	35	322-5	2	Screw-HH
13	283-6	3	Pin-Clevis	37	99-6986	2	Cylinder-Hydraulic
14	75-5220-03	1	Bracket-Spring, LH	*39	3290-378	2	Tie-Cable
15	75-5200-03	1	Bracket-Spring, RH	41	3253-5	2	Washer-Lock/Sp
16	75-5210-03	1	Bracket-Spring, Center	42	99-5642	1	Hose-Hydraulic
17	3272-10	3	Pin-Cotter				

\* Not illustrated

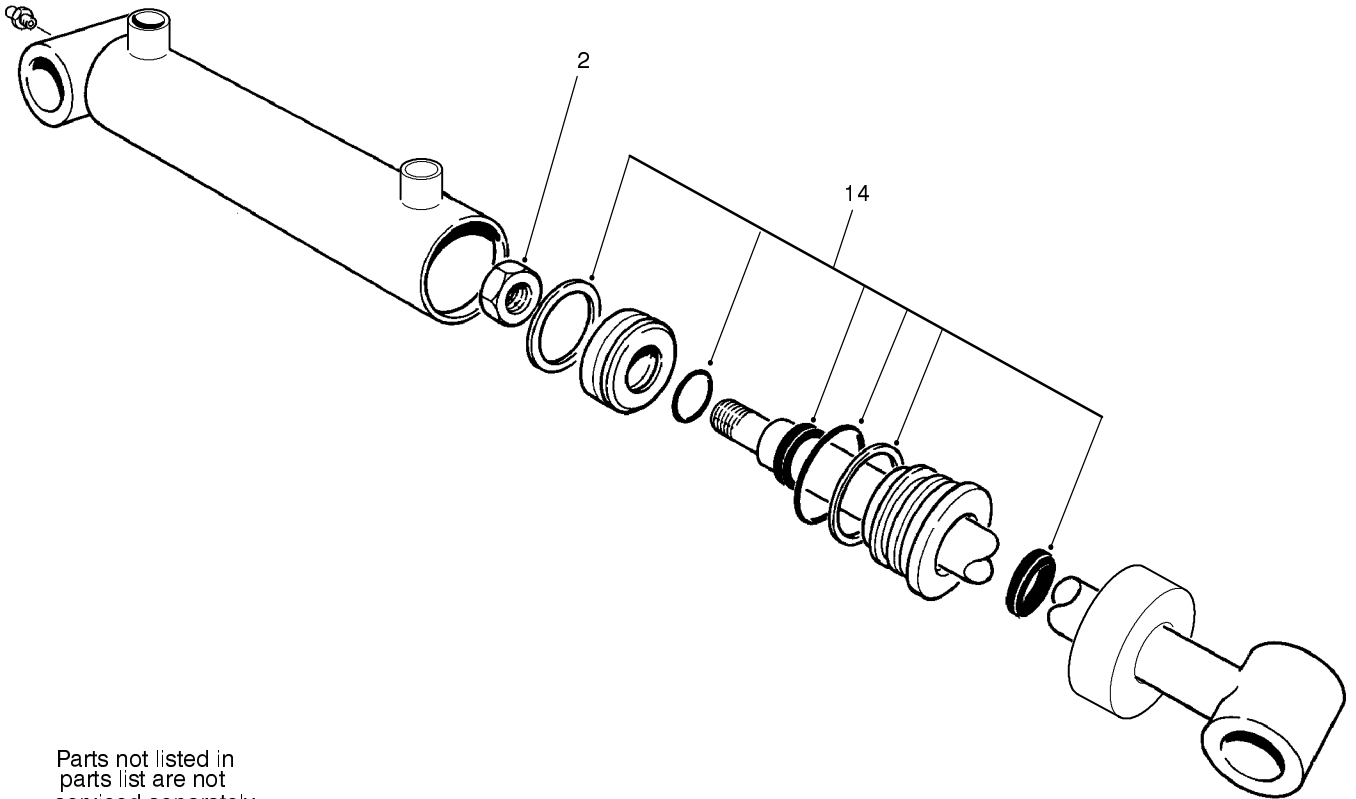


Sheet No.:B5  
T-2114-2

### Hydraulic Cylinder Assembly No. 93-9310

Ref. No.	Part No.	Qty.	Description
1	32152-10	1	Locknut-Deform, Top
2	70-2780	1	Piston
3	93-7990	1	Head
4	93-7991	1	Collar
5	75-3790	1	Shaft w/Tube
6	93-9312	1	Barrel ASM
7	86-7330	1	Kit-Seal
8	302-5	1	Fitting-Lube

Ref. No.	Part No.	Qty.	Description



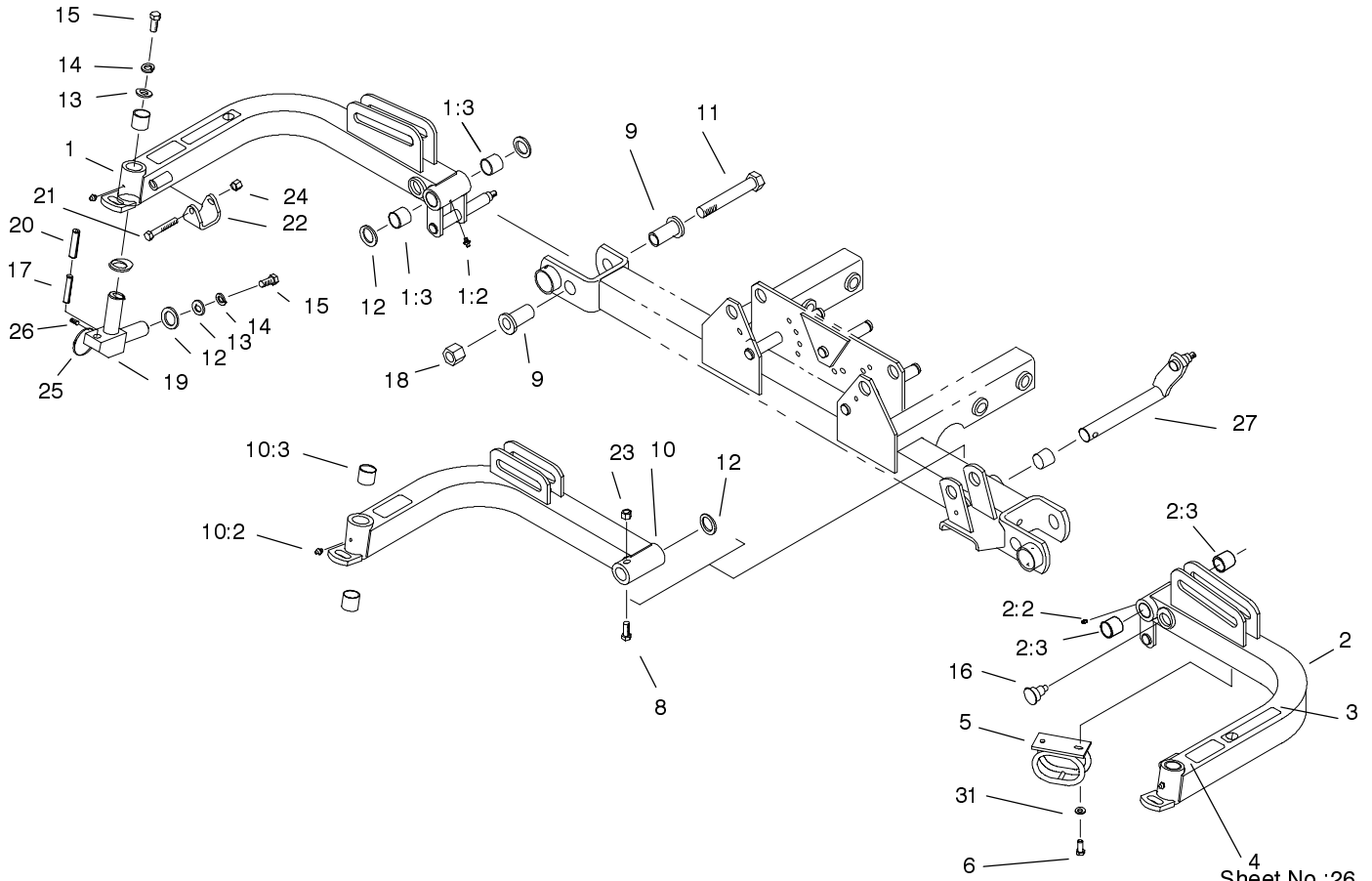
Parts not listed in parts list are not serviced separately.

Sheet No.:B6  
T-3383

### Hydraulic Cylinder Assembly No. 99-6986

Ref. No.	Part No.	Qty.	Description
2	32152-10	1	Locknut-Deform, Top
14	100-8023	1	Kit-Repair, Seal

Ref. No.	Part No.	Qty.	Description

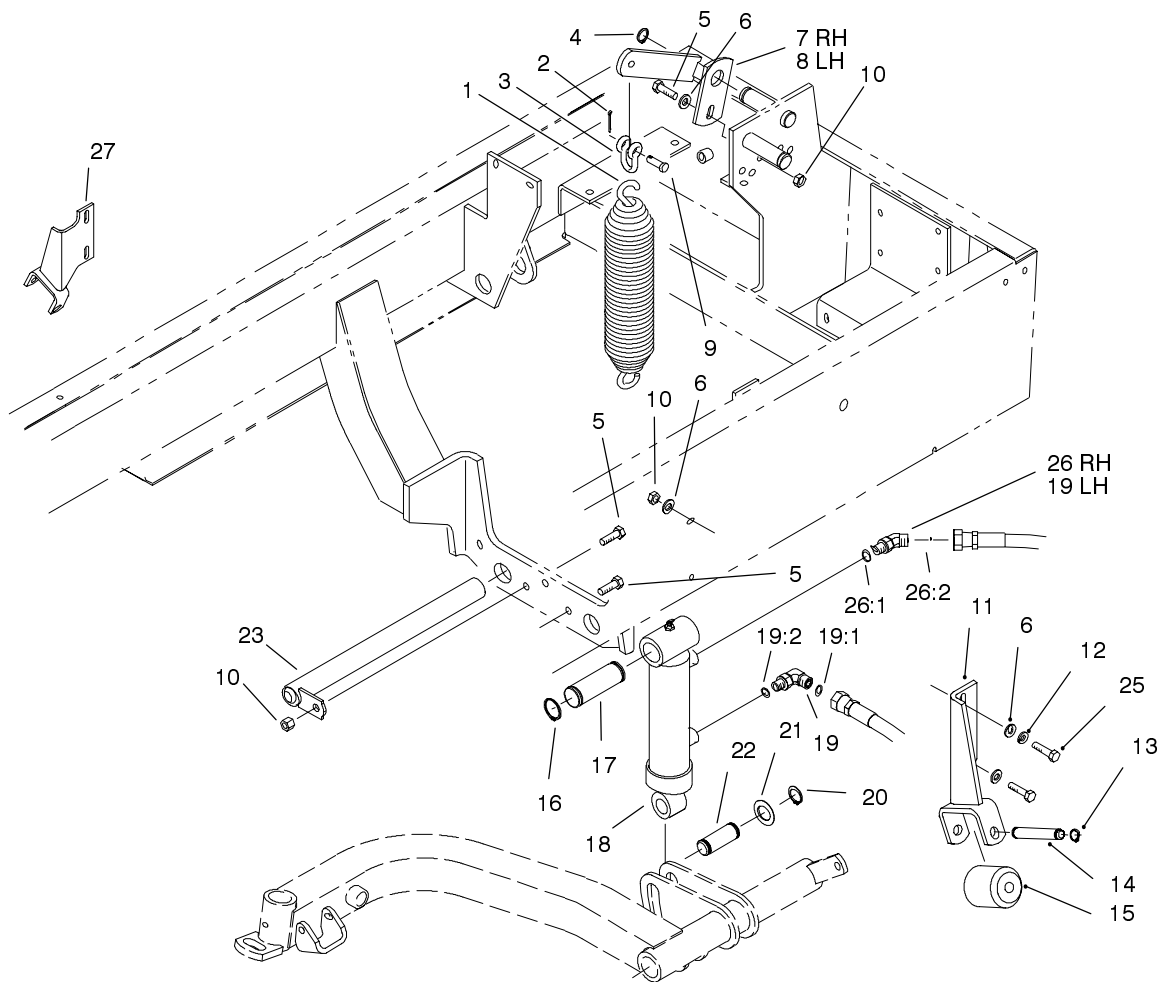


## Front Lift Arms Assembly

Ref. No.	Part No.	Qty.	Description
1	94-5598	1	Arm-Lift, RH
1:2	302-5	2	Fitting-Lube
1:3	67-1750	4	Bushing
2	94-5800	1	Arm-Lift, LH
2:2	302-5	2	Fitting-Lube
2:3	67-1750	4	Bushing
3	93-6687	2	Decal-Step, No
4	93-6696	3	Decal-Loaded, Spring
*5	99-5621	2	Guide-Hose
6	322-5	4	Screw-HH
8	323-11	1	Screw-HH
9	84-8320	4	Insert - Hinge
10	94-5802	1	Arm-Lift, Center
10:2	302-5	1	Fitting-Lube
10:3	67-1750	2	Bushing
11	328-12	2	Screw-HH
12	256-115	11	Washer-Thrust
13	3256-6	6	Washer-Flat
14	3253-7	6	Washer-Lock/Sp
15	325-4	6	Screw-HH
16	92-8754	1	Plug-Reed Switch, Magnet
17	32121-27	3	Pin-Roll
18	3296-51	2	Nut-Lock, NI
19	75-3010-03	3	Joint-Arm
20	32121-122	3	Pin - Roll

Ref. No.	Part No.	Qty.	Description
21	323-12	2	Screw-HH
22	75-5410	2	Bracket-Arm
23	3296-44	1	Nut-Lock NI
24	3296-39	2	Nut-Lock, NI
25	3290-378	4	Tie-Cable
26	92-9097	3	Screw-HS
27	75-4550-03	1	Shaft-Lift, Center
31	3253-5	4	Washer-Lock/Sp

\* Not illustrated



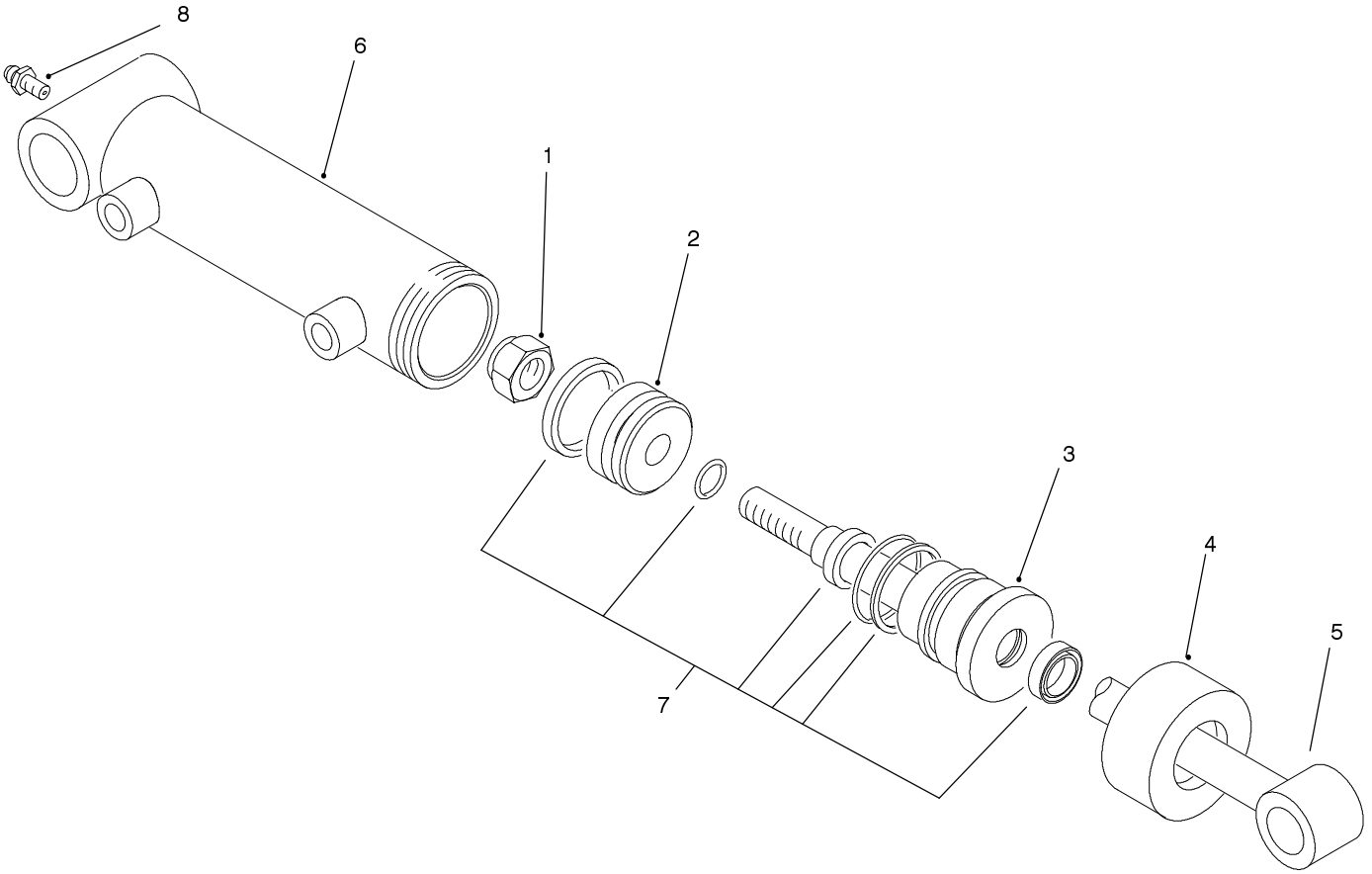
Sheet No.:27

T-3433

## Rear Lift Arm Installation Assembly

Ref. No.	Part No.	Qty.	Description	Ref. No.	Part No.	Qty.	Description
1	5-0743-03	2	Spring-Mower	25	322-6	4	Screw-HH
2	3272-10	2	Pin-Cotter	26	340-103	1	Fitting
3	282-4	2	Shackle	26:1	237-78	1	O-Ring
4	32151-48	2	E-Ring	26:2	237-21	1	O-Ring
5	322-5	4	Screw-HH	27	100-3829-01	1	Bracket-RH Roller
6	3256-23	9	Washer-Flat				
7	98-4548-03	1	Bracket-Spring, RH				
8	98-4536-03	1	Bracket-Spring, LH				
9	283-6	2	Pin-Clevis				
10	3296-29	11	Nut-Lock, NI				
11	100-3831-01	1	Bracket-LH Roller				
12	3253-4	2	Washer				
13	32151-61	4	Ring-Retaining				
14	75-5400	2	Pin - Roller				
15	75-5390	2	Roller				
16	32151-36	4	Ring-Retaining				
17	75-5360	2	Pin-Cylinder				
18	93-9311	2	Cylinder-Hydraulic				
19	340-132	3	Elbow-90°				
19:1	237-78	1	O-Ring				
19:2	237-21	1	O-Ring				
20	32120-93	4	Ring-Retaining				
21	3-6498	4	Washer-Thrust				
22	75-5350	2	Pin-Slide, Cylinder				
23	93-0069-03	2	Pin-Rear				
*24	3290-379	3	Tie-Cable				

\* Not illustrated

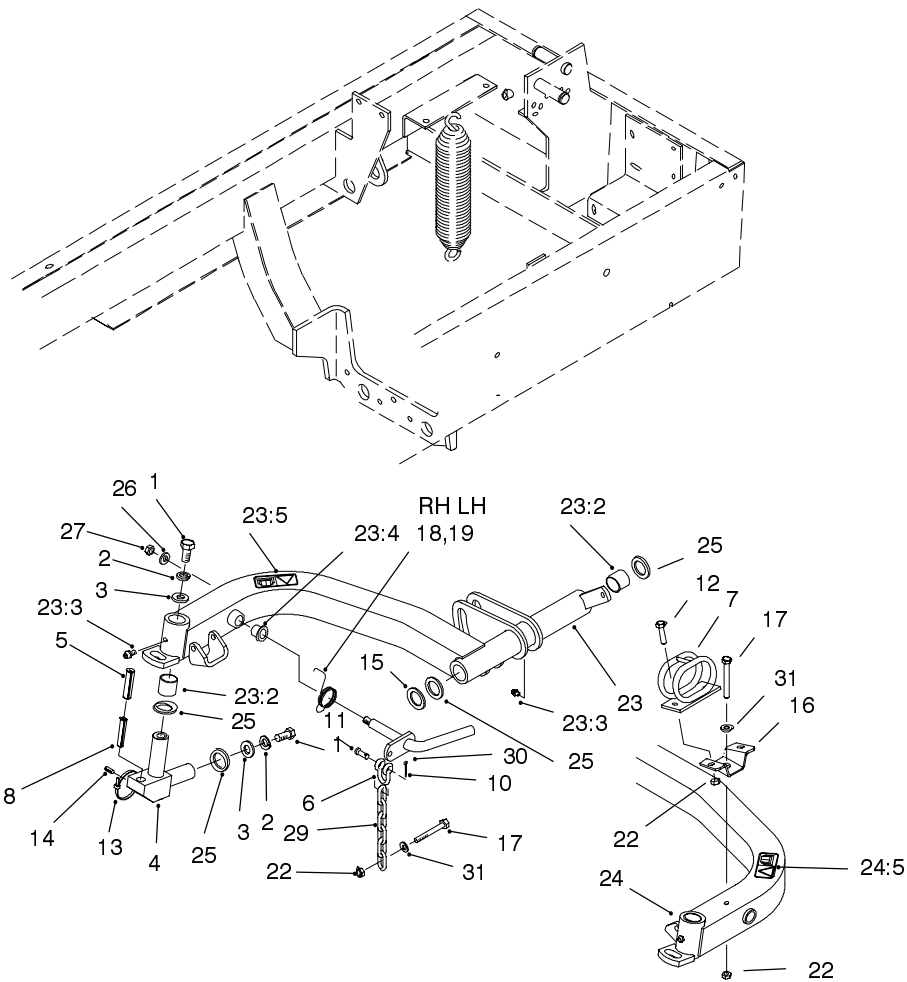


Sheet No.:B7  
T-2114-2

## Hydraulic Cylinder Assembly No. 93-9311

Ref. No.	Part No.	Qty.	Description
1	32152-10	1	Locknut-Deform, Top
2	70-2780	1	Piston
3	93-7990	1	Head
4	93-7991	1	Collar
5	75-3790	1	Shaft w/Tube
6	93-9313	1	Barrel ASM
7	86-7330	1	Kit-Seal
8	302-5	1	Fitting-Lube

Ref. No.	Part No.	Qty.	Description

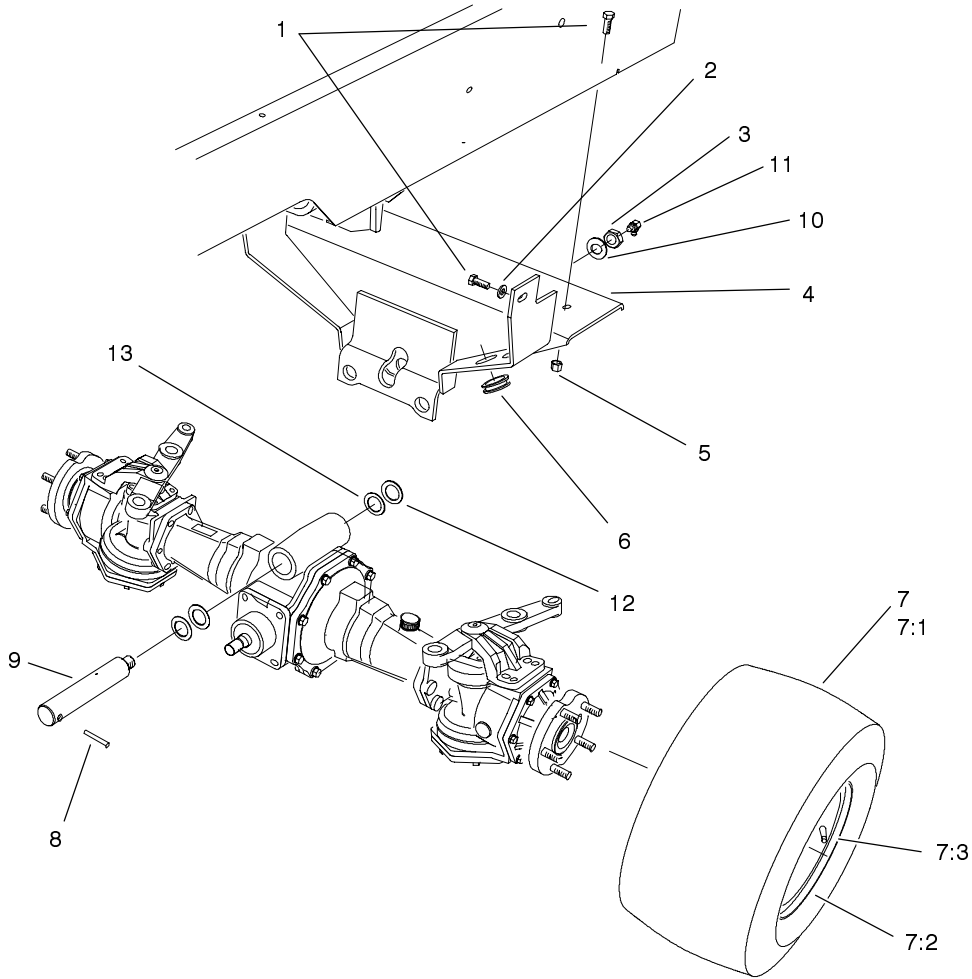


Sheet No.:28

## Rear Lift Arm Assembly

Ref. No.	Part No.	Qty.	Description	Ref. No.	Part No.	Qty.	Description
1	325-4	4	Screw-HH	24	100-3827	1	Arm Assembly-Lift Rear,LH
2	3253-7	4	Washer-Lock/Sp	*24:2	256-287	2	Bushing
3	3256-6	4	Washer-Flat	*24:3	302-5	2	Fitting-Lube
4	75-3010	2	Joint-Arm	*24:4	67-1750	4	Bushing
5	32121-122	2	Pin - Roll	24:5	93-6696	1	Decal-Loaded, Spring
6	282-4	2	Shackle	25	256-115	12	Washer-Thrust
7	99-5621	1	Guide-Hose	26	3256-24	2	Washer-Flat
8	32121-27	2	Pin-Roll	27	3296-39	2	Nut-Lock, NI
*9	3290-379	1	Tie-Cable	29	5-1096	2	Chain-Lift
10	3272-10	2	Pin-Cotter	30	100-3834-03	2	Rod-Pivot
11	283-6	2	Pin-Clevis	31	3256-23	3	Washer-Flat
12	322-5	2	Screw-HH				
13	3290-378	4	Tie-Cable				
14	92-9097	2	Screw-HS				
15	93-0142	2	Bushing - Straight				
16	94-4919-03	1	Brkt.- Clamp, Hose				
17	322-13	1	Screw-HH				
18	75-4520	1	Spring-Torsion, RH				
19	75-4530	1	Spring-Torsion, LH				
22	3296-29	4	Nut-Lock, NI				
23	100-3828	1	Arm Assembly-Lift Rear,RH				
23:2	67-1750	4	Bushing				
23:3	302-5	2	Fitting-Lube				
23:4	256-287	2	Bushing				
23:5	93-6696	1	Decal-Loaded, Spring				

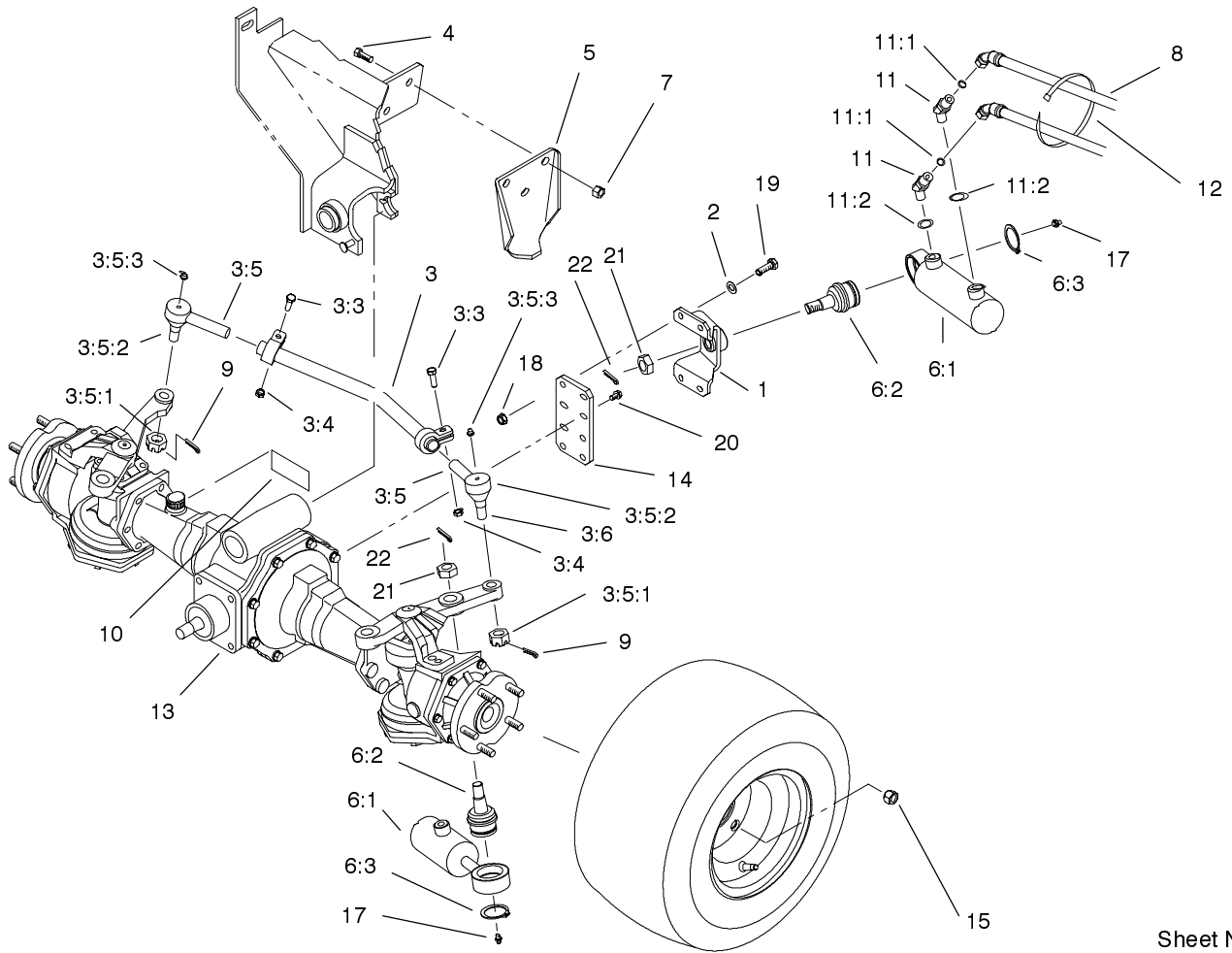
\* Not illustrated



Sheet No.:30

## Rear Axle Support Assembly

Ref. No.	Part No.	Qty.	Description	Ref. No.	Part No.	Qty.	Description
1	323-7	4	Screw-HH				
2	3256-24	2	Washer-Flat				
3	32146-20	1	Nut-Jam				
4	98-8172-03	1	Support-Axle				
5	3296-39	2	Nut-Lock, NI				
6	237-165	2	Grommet				
7	86-2820	2	Tire & Wheel ASM				
7:1	86-5910	1	Tire				
7:2	100-2582	1	Rim				
7:3	232-27	1	Stem-Valve				
8	32121-32	1	Pin-Roll				
9	98-8173-03	1	Pin-Pivot, Axle				
10	71-4540	1	Thrust Washer				
11	302-2	1	Fitting-Grease				
12	99-8431	2	Washer-Thrust				
13	99-8432	2	Washer-Thrust				



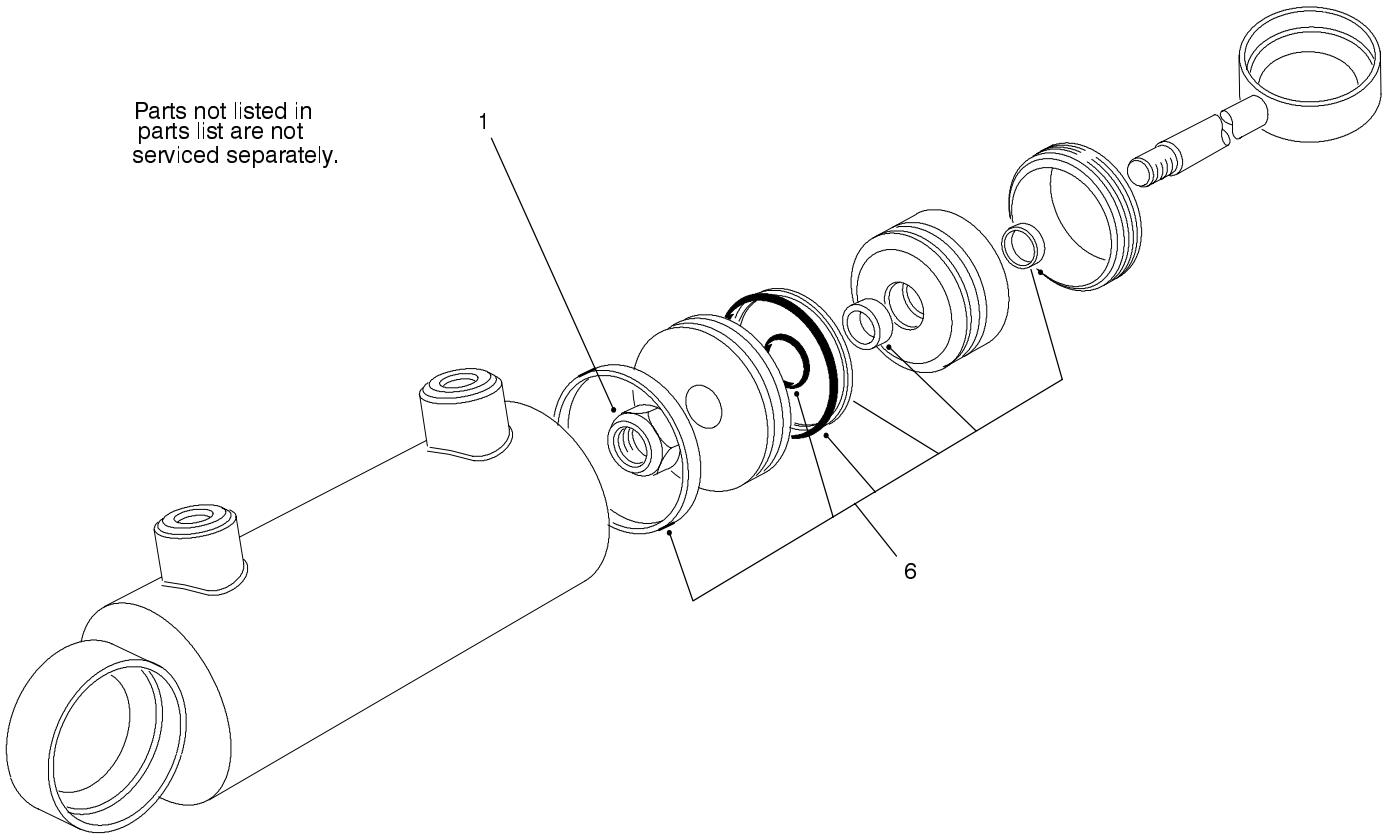
Sheet No.:32

### 4WD Rear Axle Assembly

Ref. No.	Part No.	Qty.	Description
1	98-3948-03	1	Mount-Cylinder
2	48-9220	4	Washer
3	98-3932	1	Tie Rod ASM
3:3	323-9	2	Screw-HH
3:4	3296-39	2	Nut-Lock, NI
3:5	71-4740	2	End-Tie Rod, RH
3:5:1	32136-13	1	Nut-Hex, Slotted
3:5:2	71-4760	1	Seal
3:5:3	302-55	1	Zerk
3:7	99-8996	1	Tube And Clamp Assembly
4	325-5	6	Screw-HH
5	99-6966-03	2	Stop Axle
6	18-4039	1	Balljoint ASM
6:1	98-8163	1	Cylinder-Steering
6:2	92-5838	2	Joint-Ball
6:3	32151-104	2	Ring-Retaining, Ext
7	3296-23	6	Nut-Lock, NI
9	3272-11	2	Pin-Cotter
10	93-6697	1	Decal - Lube
11	340-132	2	Elbow-90°
11:1	237-78	1	O-Ring
11:2	237-21	1	O-Ring
12	3290-378	1	Tie-Cable
13	98-3925	1	Drive Axle ASM
14	98-8198-03	1	Plate-Cyl. Bracket.

Ref. No.	Part No.	Qty.	Description
15	93-5268	10	Nut-Lug
17	302-5	2	Fitting-Lube
18	3296-39	4	Nut-Lock, NI
19	323-8	4	Screw-HH
20	95-8812	4	Screw - Hhc
21	32136-14	2	Nut-Hex Slotted
22	3272-12	2	Pin-Cotter

Parts not listed in parts list are not serviced separately.

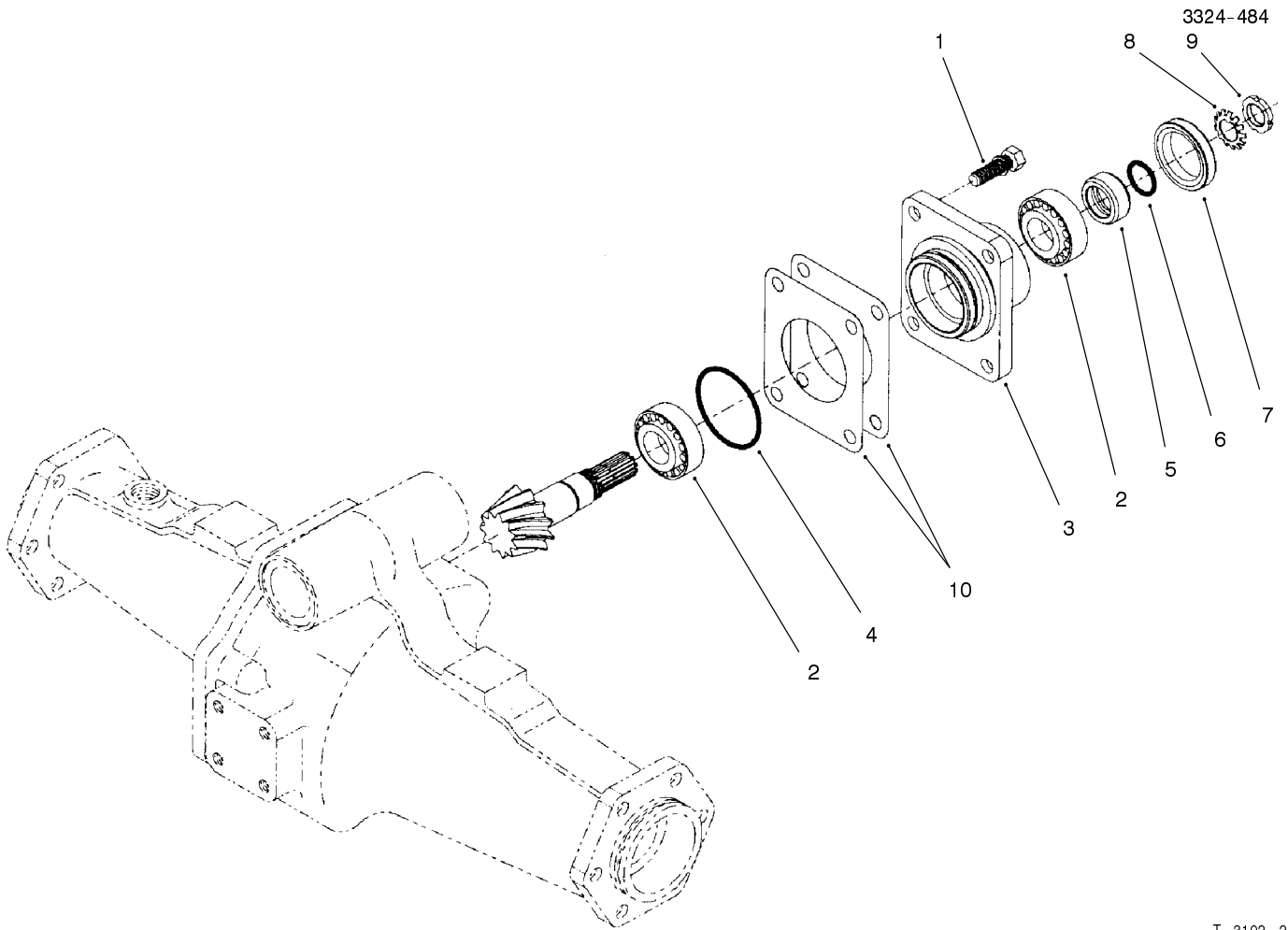


Sheet No.:B8  
T-3513

## Hydraulic Cylinder Assembly No. 98-8163

Ref. No.	Part No.	Qty.	Description
1:1	32152-10	1	Locknut-Deform, Top
1:2	100-8022	1	Seal Repair Kit

Ref. No.	Part No.	Qty.	Description
----------	----------	------	-------------



T-3102-2

## Rear Axle Assembly No. 98-3925 Bevel Pinion Shaft Assembly

Ref. No.	Part No.	Qty.	Description
1	99-7575	4	Bolt
2	99-7570	2	Bearing-Taper Roller
3	95-7535	1	Case-Bearing
4	99-7571	1	O-Ring
5	99-7572	1	Collar-Oil Seal
6	99-7573	1	O-Ring
7	99-7574	1	Seal-Oil
8	99-7559	1	Washer-Lock
9	99-7560	1	Nut-Lock
10	99-7550	2	Shim-0.1
*	99-7551	2	Shim-0.2

Ref. No.	Part No.	Qty.	Description

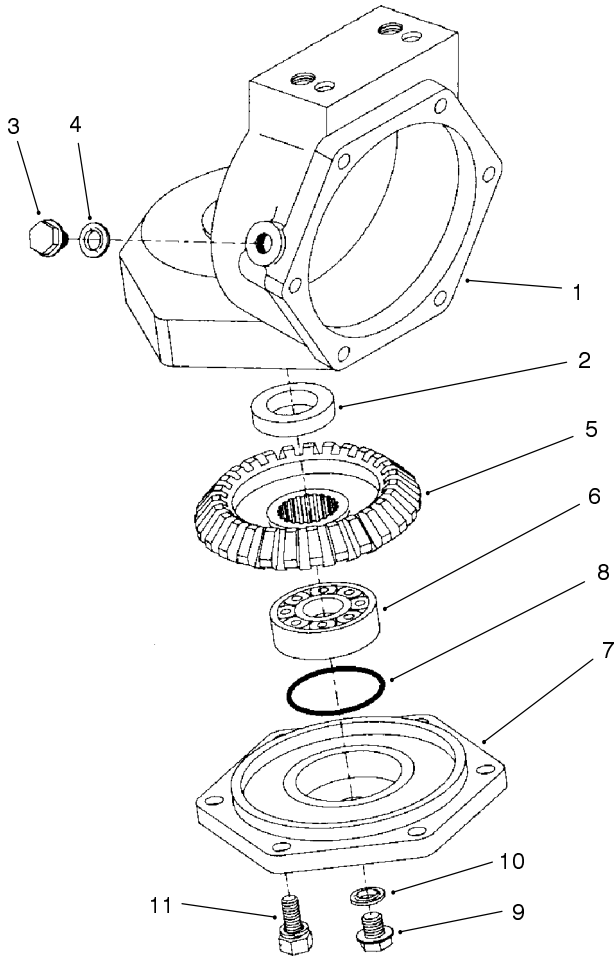
\* Not Illustrated











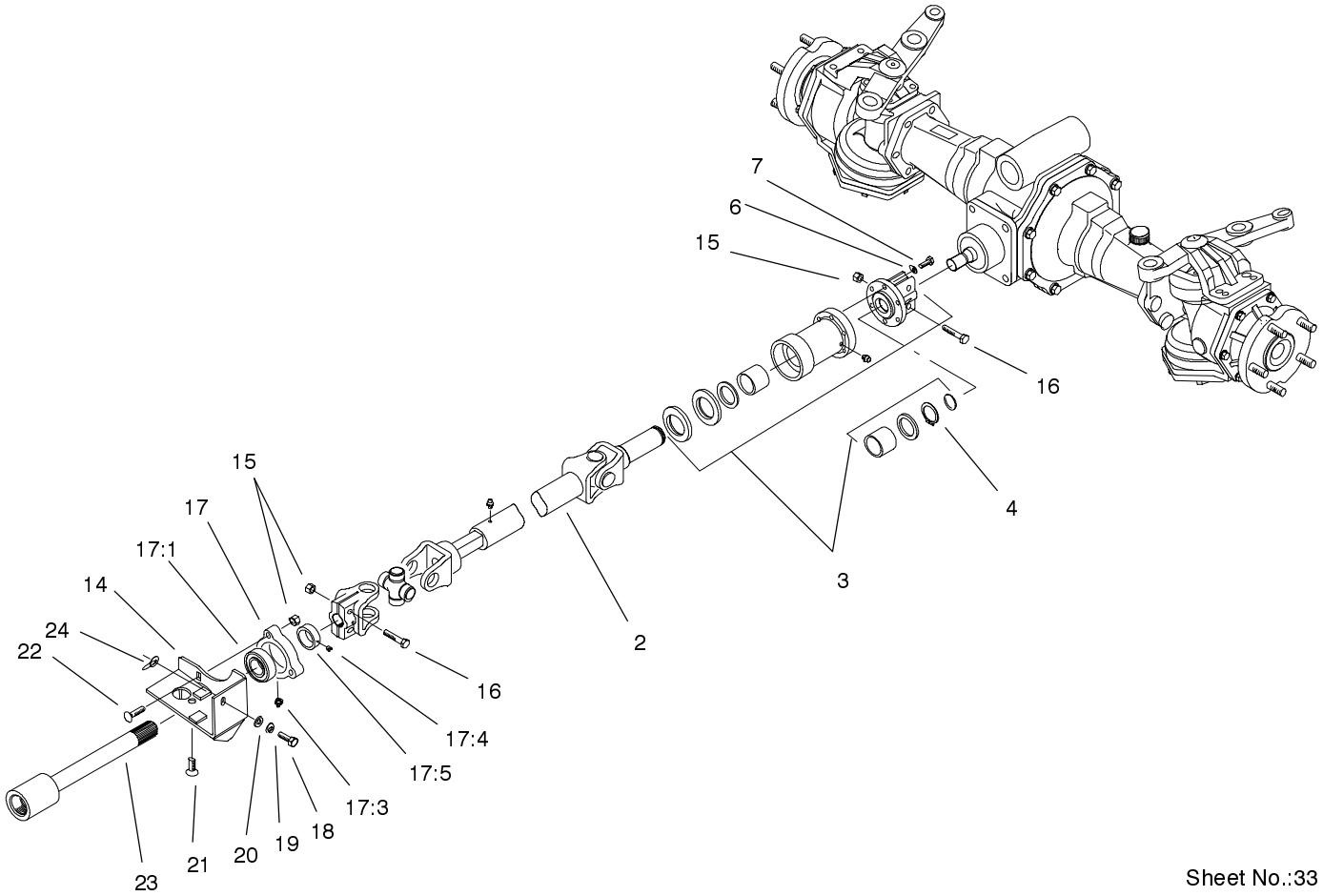
T-3107-1

## Rear Axle Assembly No. 98-3925 (Continued) Axle Case Assembly

Ref. No.	Part No.	Qty.	Description
1	95-7532	2	Case-Axle
2	99-7594	2	Seal-Oil
3	99-7535	2	Plug
4	99-7536	2	Washer-Seal
5	95-7528	2	Gear-27 Bevel
6	99-7532	2	Bearing-Taper Roller
7	95-7526	2	Cover-Axle
8	99-7537	2	O-Ring
9	99-7589	2	Plug
10	99-7590	2	Washer-Seal
11	99-7596	12	Bolt

Ref. No.	Part No.	Qty.	Description

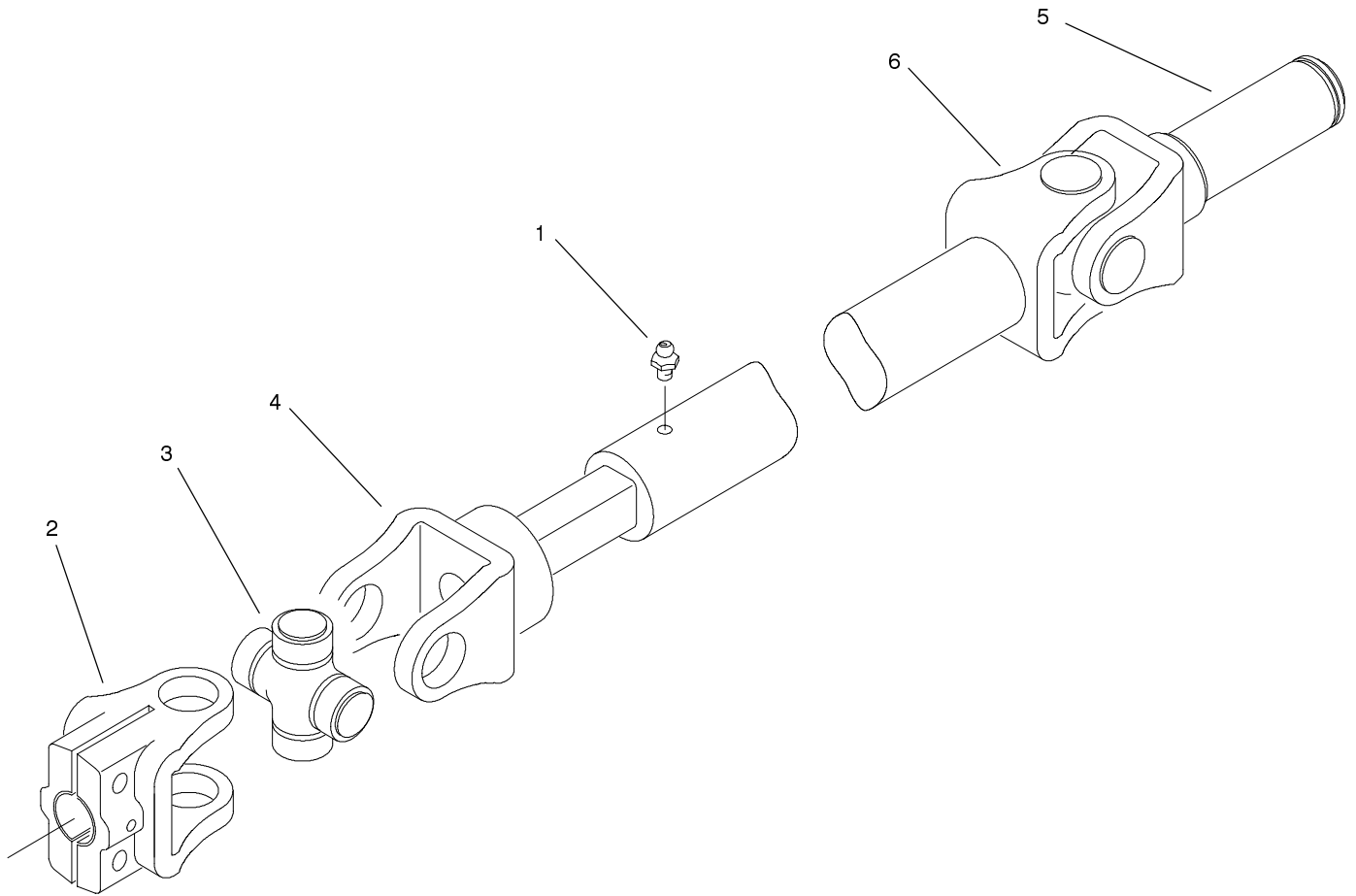




### Driveshaft, Clutch Housing and Bearing Assembly

Ref. No.	Part No.	Qty.	Description
2	83-5190	1	Driveshaft
3	98-3933-03	1	Clutch Housing ASM
4	32151-87	1	Ring-Retaining
6	3253-3	6	Washer-Lock/Sp
7	3274-8	5	Screw-HSH
14	83-4970-03	1	Bracket-Bearing
15	3296-29	7	Nut-Lock, NI
16	322-8	4	Screw-HH
17	76-2460	1	Bearing ASM
17:1	94-3405	1	Bearing-Ball
17:3	302-5	1	Fitting-Lube
17:4	3245-35	1	Screw-HS
17:5	251-77	1	Bearing-Lockcollar
18	48-9460	1	Capscrew-Hex
19	42-9850	1	Washer-Lock, Spring
20	48-8030	1	Washer
21	3274-34	1	Screw-HSFH
22	3230-3	3	Screw-CARR
23	83-4900-03	1	Shaft-Traction
24	83-7470	2	Shim

Ref. No.	Part No.	Qty.	Description

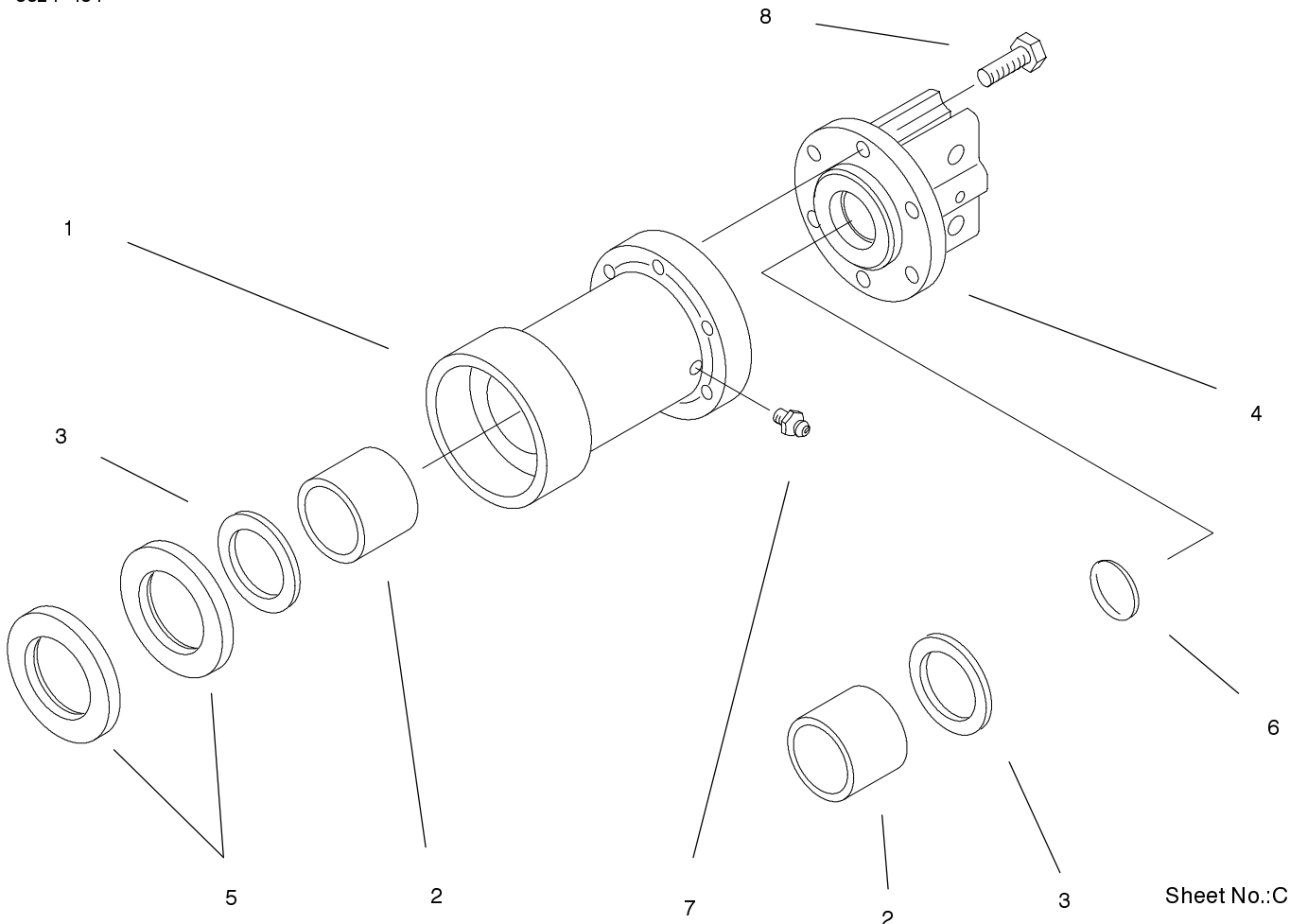


Sheet No.:B9  
T-3441

### Driveshaft Assembly No. 83-5190

Ref. No.	Part No.	Qty.	Description
1	302-58	1	Fitting-Grease
2	54-9090	1	Yoke-End
3	54-9180	2	U-Joint Kit
3:1	62-3820	1	Fitting-Grease
4	72-3420	1	Shaft-Yoke, Slip
5	72-3440	1	Yoke - Shaft
6	83-5260	1	Tube-Yoke, Slip

Ref. No.	Part No.	Qty.	Description

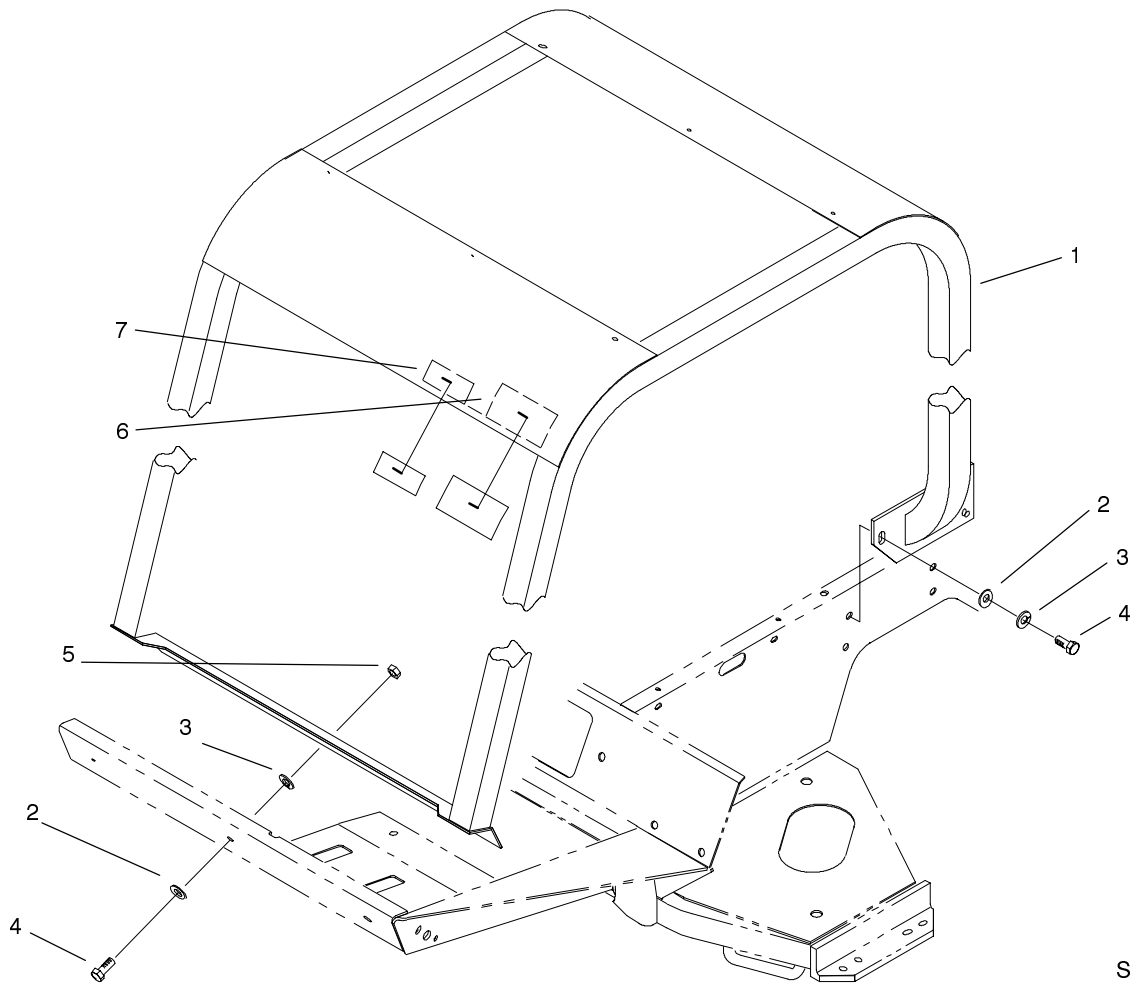


Sheet No.:C1

## Clutch Housing Assembly

Ref. No.	Part No.	Qty.	Description
1	71-4570-03	1	Housing-Clutch, Roller
1:2	71-4570	1	Housing-Clutch, Roller
2	71-4580	2	Bearing
3	71-4590	1	Washer-Thrust
4	76-4690-03	1	Axle Coupling
4:2	76-4690	1	Coupling-Axle
5	253-155	2	Seal-Oil
6	284-3	1	Plug
7	302-5	1	Fitting-Lube
8	3274-8	1	Screw-HSH

Ref. No.	Part No.	Qty.	Description

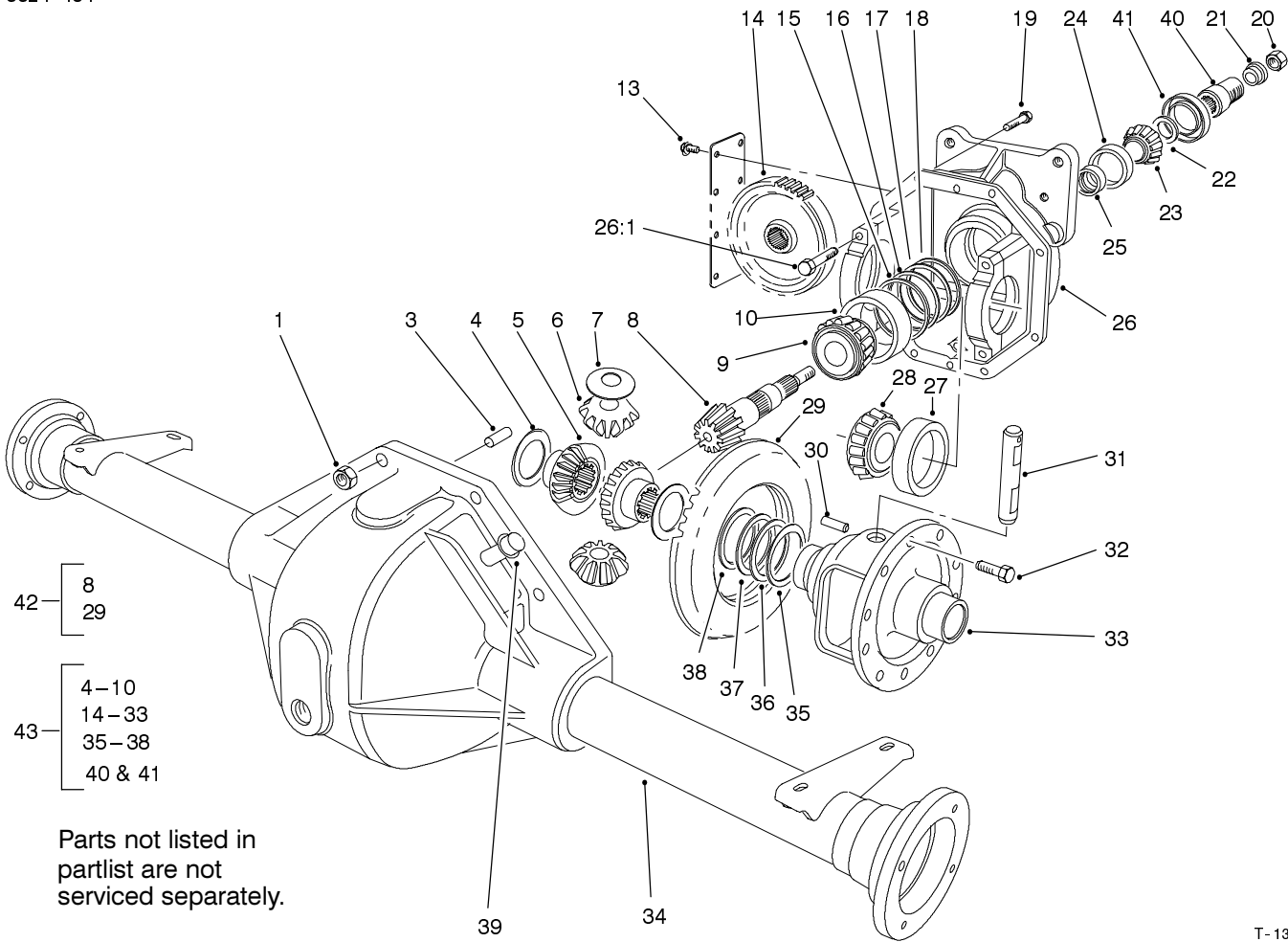


Sheet No.:35

### R.O.P.S. Assembly

Ref. No.	Part No.	Qty.	Description
1	83-7410-03	1	Bar-Roll
2	3256-26	9	Washer-Flat
3	3253-7	9	Washer-Lock/Sp
4	325-5	9	Screw-HH
5	3217-9	3	Nut-Hex
6	93-8050	1	Decal-Roof, Rops
7	85-9980	1	Decal

Ref. No.	Part No.	Qty.	Description



T-1315

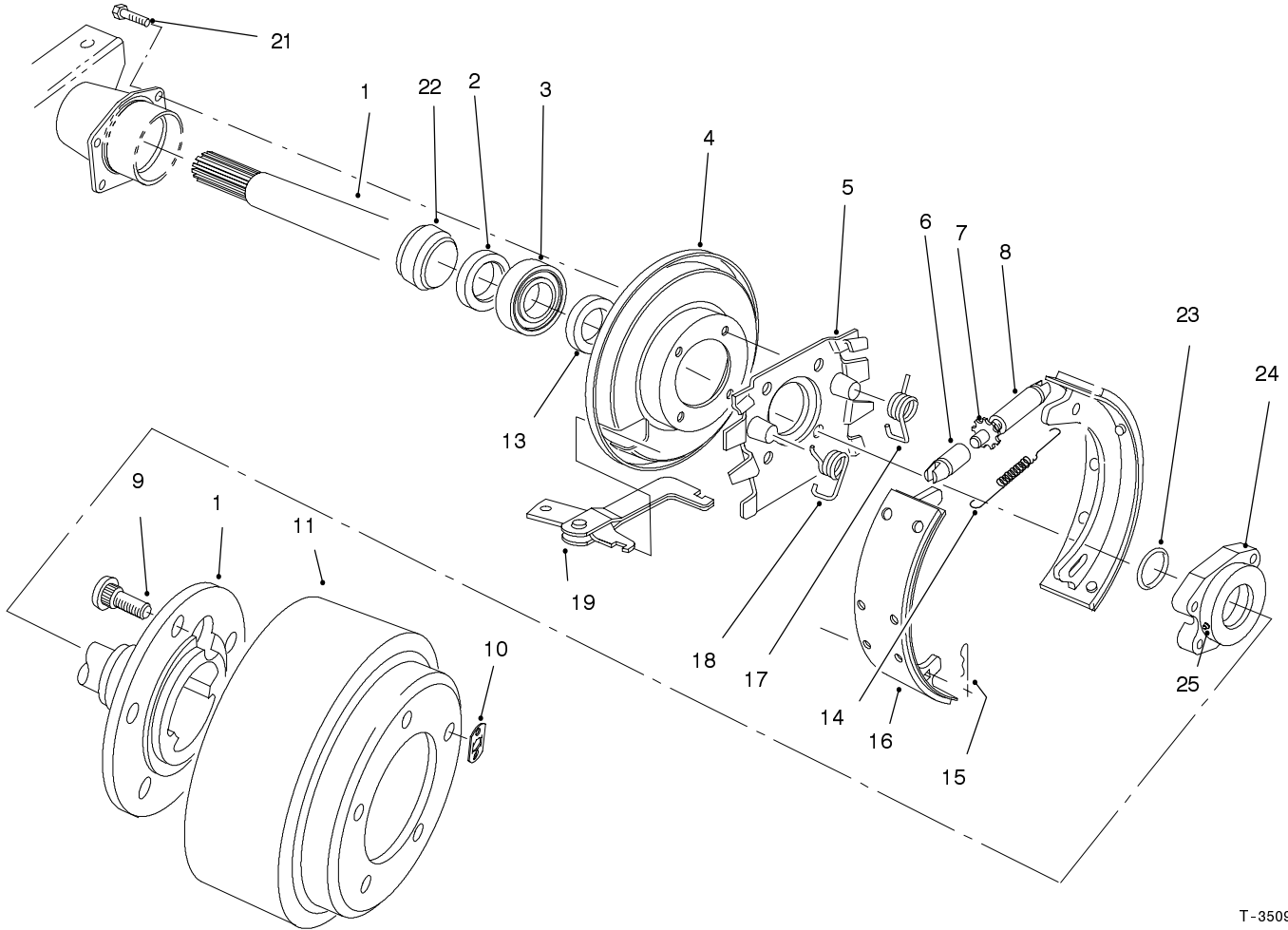
## Axle Assembly No. 99-6981-03

Ref. No.	Part No.	Qty.	Description
1	32144-5	8	Nut
3	21-8270	2	Pin-Dowel
4	21-7720	2	Washer-Thrust
5	24-8790	2	Gear-Bevel, Differential
6	21-7690	2	Gear-Pinion
7	21-7730	2	Washer-Thrust
9	43-6760	1	Cone-Bearing, Tapered
10	43-6750	1	Cup-Bearing, Tapered
13	32144-112	8	Screw-Forming, Thread
14	86-7230	1	Gear-Spur
15	43-6710	A/R	Diff. Adjust. Shim .003
16	43-6711	A/R	Diff. Adjust. Shim .005
17	43-6712	A/R	Diff. Adjust. Shim .010
18	43-6713	A/R	Diff. Adjust. Shim .030
19	3210-8	8	Screw-HH
20	71-4350	1	Nut
21	83-5130	1	Spacer-Pinion
22	72-3570	A/R	Shim .094-Diff. Adjust.
*	72-3571	A/R	Shim .096-Diff. Adjust.
*	72-3572	A/R	Shim .098-Diff. Adjust.
*	72-3573	A/R	Shim .100-Diff. Adjust.
*	72-3574	A/R	Shim .102-Diff. Adjust.
*	72-3575	A/R	Shim .104-Diff. Adjust.

Ref. No.	Part No.	Qty.	Description
*	72-3576	A/R	Shim .106-Diff. Adjust.
*	72-3577	A/R	Shim .108-Diff. Adjust.
*	72-3578	A/R	Shim .110-Diff. Adjust.
*	72-3580	A/R	Shim .112-Diff. Adjust.
*	72-3581	A/R	Shim .114-Diff. Adjust.
*	72-3582	A/R	Shim .116-Diff. Adjust.
*	72-3583	A/R	Shim .118-Diff. Adjust.
*	72-3584	A/R	Shim .120-Diff. Adjust.
*	72-3585	A/R	Shim .125-Diff. Adjust.
*	72-3586	A/R	Shim .127-Diff. Adjust.
*	72-3587	A/R	Shim .129-Diff. Adjust.
*	72-3588	A/R	Shim .131-Diff. Adjust.
*	72-3590	A/R	Shim .133-Diff. Adjust.
*	72-3591	A/R	Shim .135-Diff. Adjust.
*	72-3592	A/R	Shim .137-Diff. Adjust.
*	72-3593	A/R	Shim .139-Diff. Adjust.
*	72-3594	A/R	Shim .141-Diff. Adjust.
*	72-3595	A/R	Shim .143-Diff. Adjust.
*	72-3596	A/R	Shim .145-Diff. Adjust.
*	72-3597	A/R	Shim .147-Diff. Adjust.
*	72-3598	A/R	Shim .149-Diff. Adjust.
*	72-3600	A/R	Shim .151-Diff. Adjust.
23	254-91	1	Cone-Bearing
24	21-8390	1	Cup-Bearing
25	21-8020	1	Spacer-Pinion, Front

\* Not Illustrated.





T-3509

## Brake Assembly

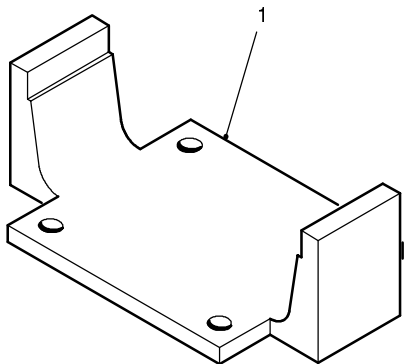
Ref. No.	Part No.	Qty.	Description
1	100-3840	1	Shaft-Axle, Flanged LH
*	100-3841	1	Shaft-Axle Flanged RH
2	100-3842	2	Seal-Oil
3	21-8180	2	Bearing
4	100-3843	2	Shield-Dust
5	100-3844	2	Spider-Torque
6	21-9390	2	Socket-Screw, Adjusting
7	21-9370	2	Screw-Adjusting
8	21-9380	2	Nut-Pivot
9	242-34	10	Stud-Flange, Axle
10	21-8360	2	Clip-Retaining
11	28-0680	2	Drum-Brake
13	100-3845	2	Seal-Grease
14	21-9440	2	Spring-Screw, Adjusting
15	21-9460	4	Retainer-Brake, Parking
16	84-8590	4	Shoe and Lining ASM
17	21-9420	2	Spring-Shoe Return, LH
18	21-9430	2	Spring-Shoe Return, RH
19	24-9180	2	Lever-Brake, Parking

Ref. No.	Part No.	Qty.	Description
21	100-3846	8	Screw-HSH
22	100-3847	2	Retaining-Bearing
23	100-3848	2	O-Ring
24	100-3849	2	Cap-Bearing
25	100-3850	2	Zerk-Special
*	84-8600	1	Set of Linked Brake Shoes
*	92-8775	1	Kit-Gasket, Liquid

\* Not Illustrated

# Special Tools

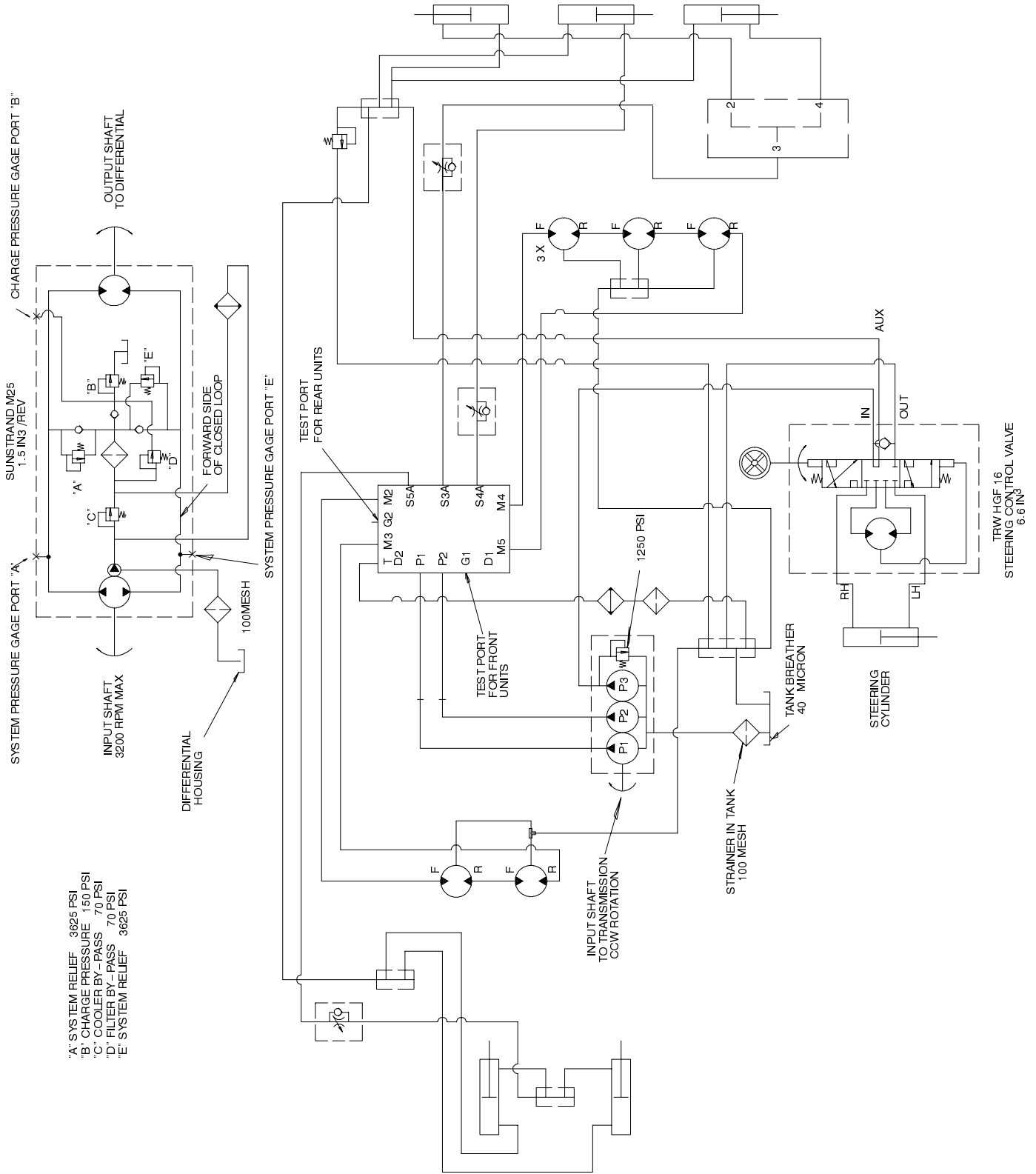
## AXLE TOOL NO. \*TOR859920



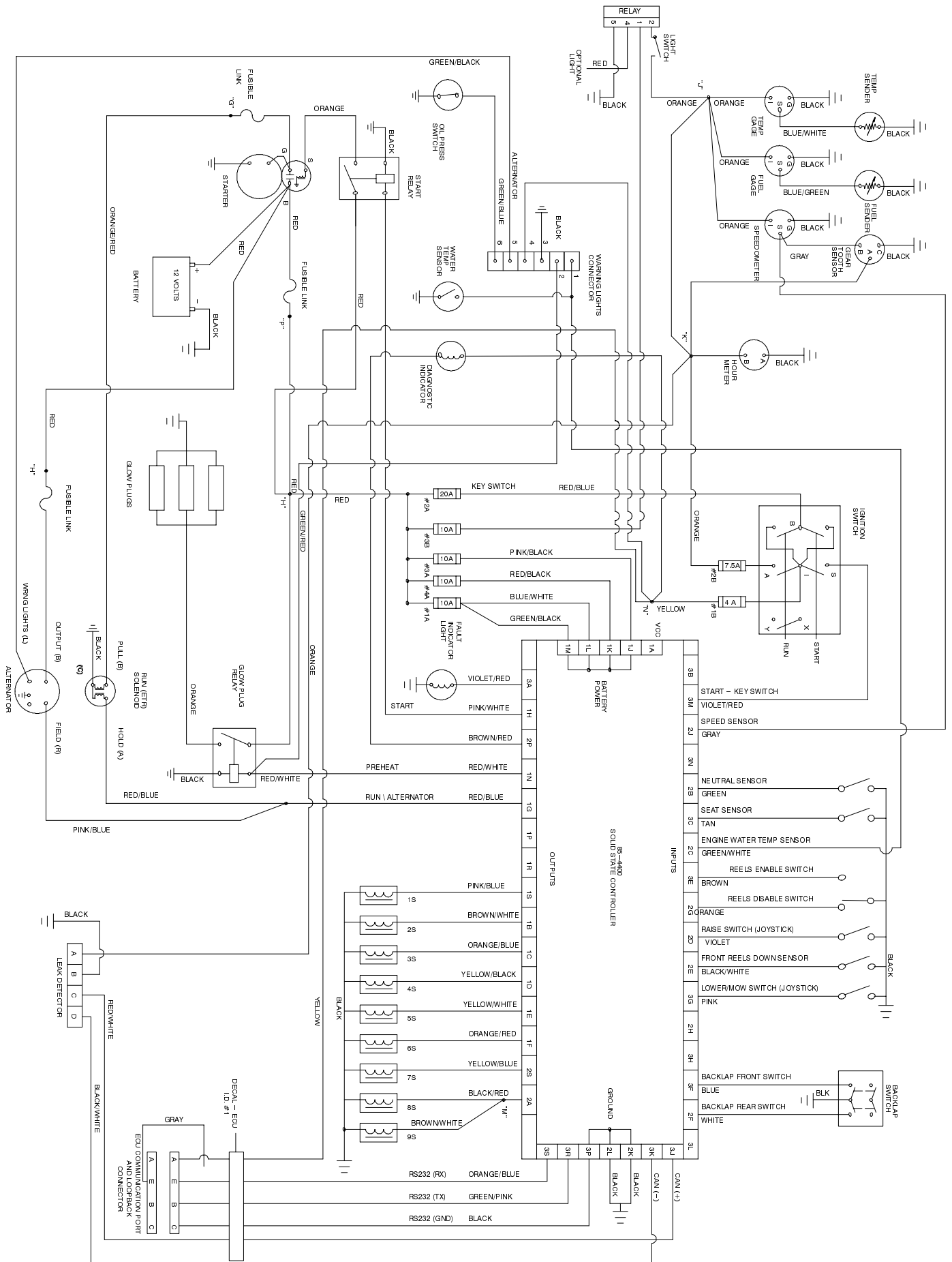
T-1325-1

Ref. No.	Part No.	Description	No. Used
1		Tool-Axle	1

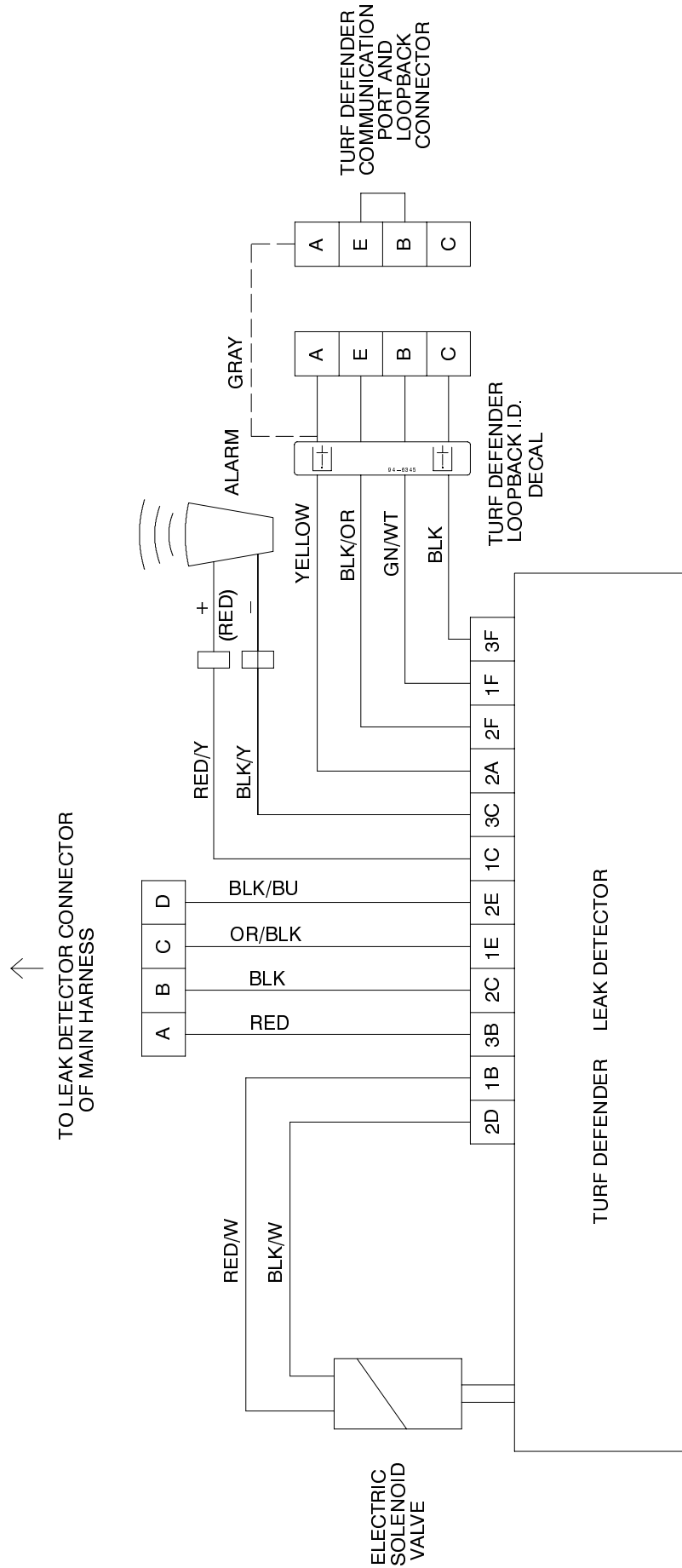
# Hydraulic Schematic

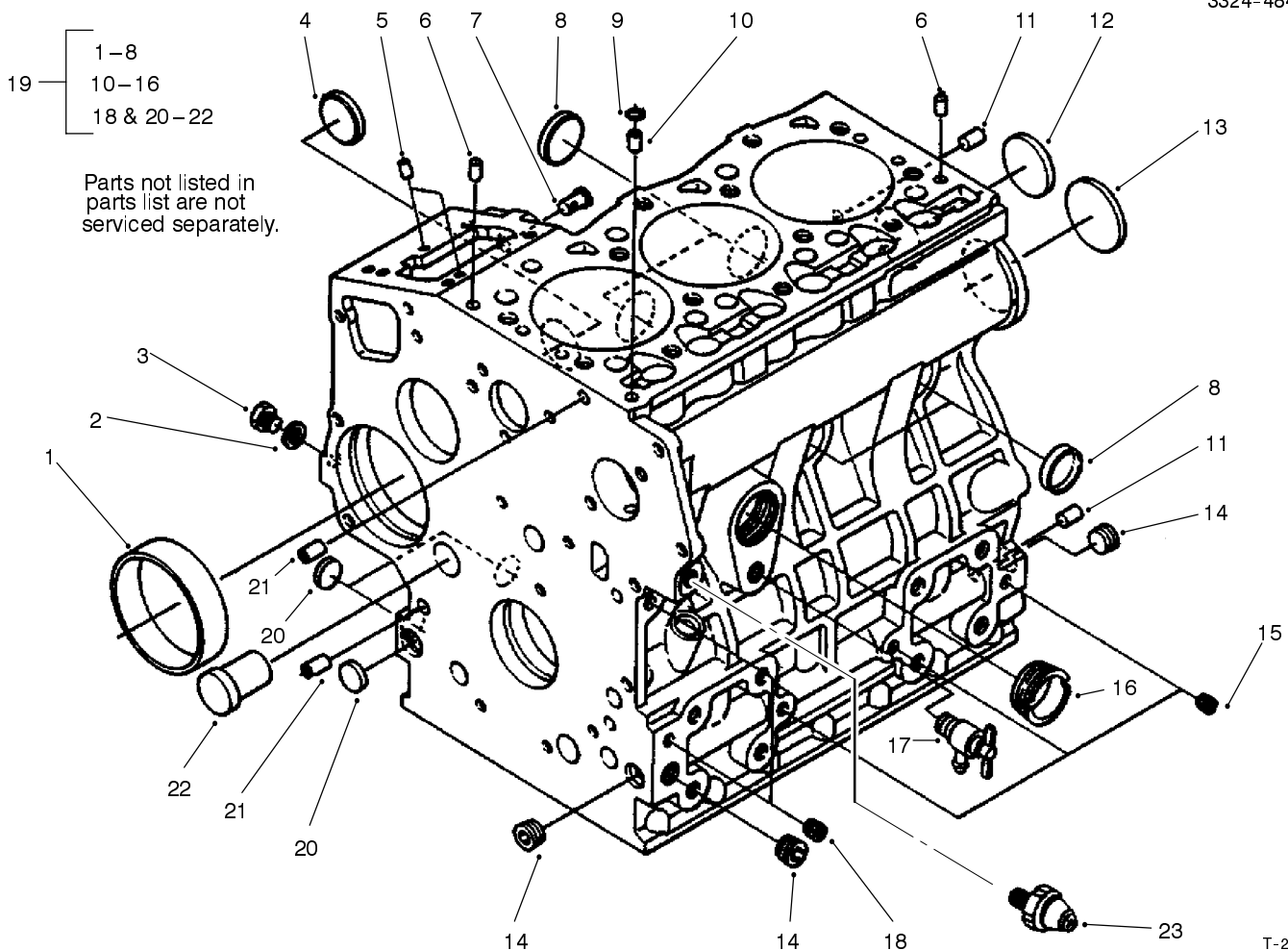


# Electrical Schematic



# Electrical Schematic - Turfdefender



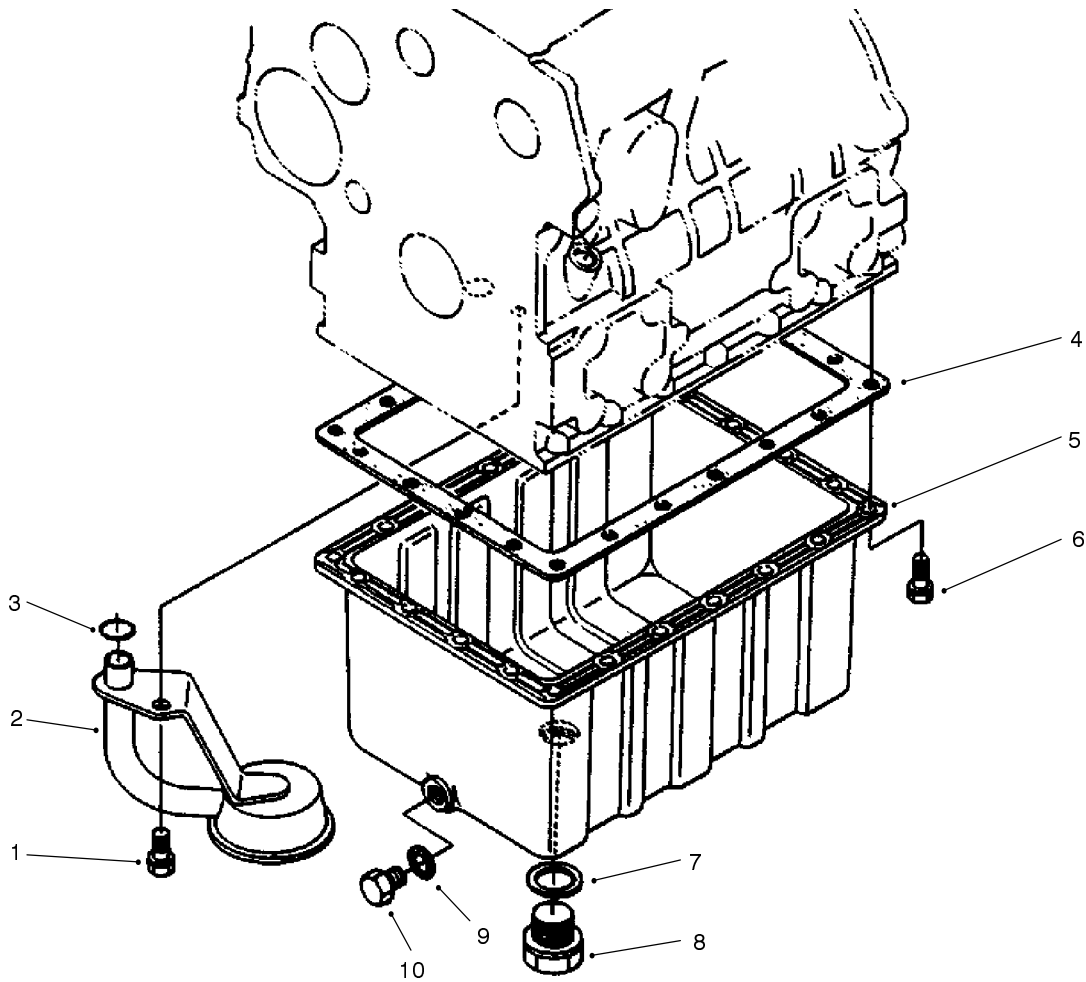


## Crankcase Assembly

T-2906

Ref. No.	Part No.	Qty.	Description
1	98-9656	1	Bushing-Governor, Gear
2	98-7428	1	Gasket
3	98-7507	1	Plug
4	98-9599	1	Plug
5	98-9375	2	Pin-Straight
6	98-9376	2	Pin-Straight
7	98-9630	1	Pin-Spring, Start
8	98-9398	4	Cap-Sealing
9	98-9539	1	Pin-Pipe
10	98-7509	1	O-Ring
11	98-9377	2	Pin-Straight
12	98-7539	1	Cap-Sealing
13	98-9668	1	Plug
14	98-9597	3	Plug
15	98-7540	3	Plug
16	98-9667	1	Plug
17	98-9436	1	Drain Cock ASM
18	98-7487	2	Plug
19	98-9604	1	Crankcase ASM
20	98-9379	3	Plug
21	98-9387	2	Pin-Pipe
22	98-9675	1	Plug
23	98-9416	1	Switch

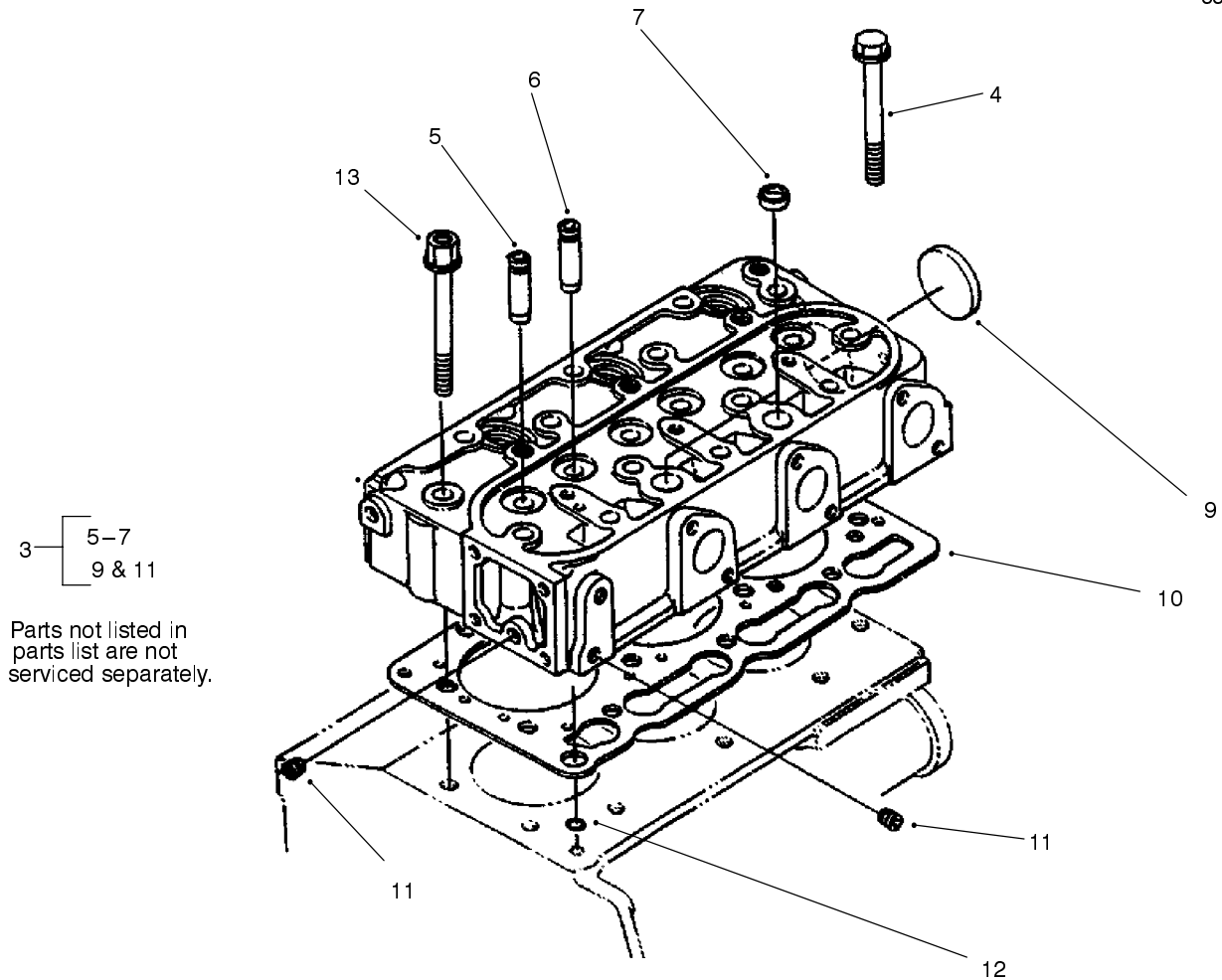
Ref. No.	Part No.	Qty.	Description



T-2907

### Oil Pan Assembly

Ref. No.	Part No.	Qty.	Description	Ref. No.	Part No.	Qty.	Description
1	98-9358	1	Bolt				
2	98-9538	1	Filter-Oil				
3	98-7527	1	O-Ring				
4	98-9646	1	Gasket-Pan, Oil				
5	98-9685	1	Pan-Oil				
6	98-9350	22	Bolt				
7	98-9399	1	Gasket				
8	98-7523	1	Plug-Drain				
9	98-7524	1	Gasket				
10	98-9386	1	Plug				



T-2908-1

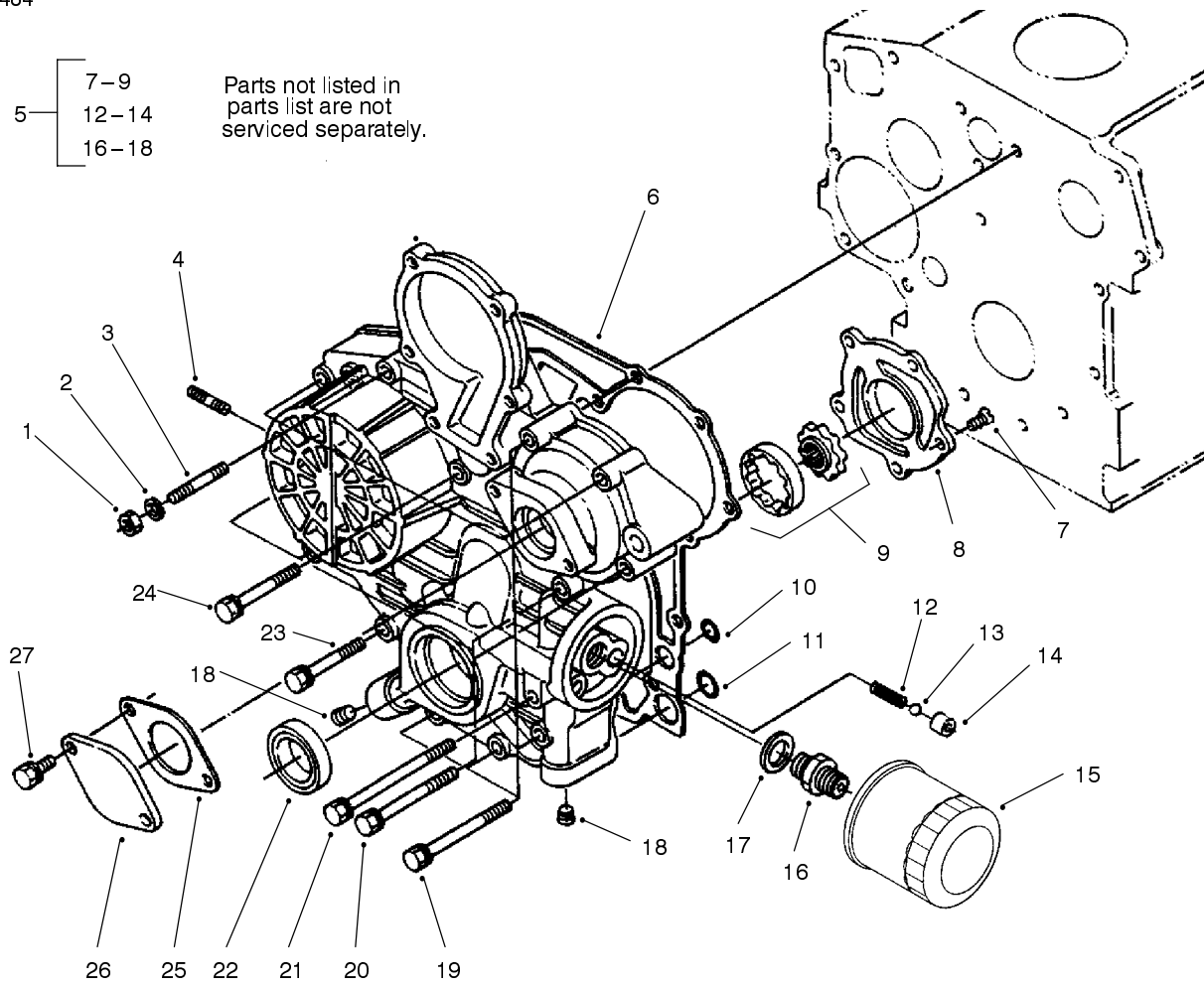
### Cylinder Head Assembly

Ref. No.	Part No.	Qty.	Description
3	98-9460	1	Cylinder Head ASM
4	98-9479	12	Bolt-Head, Cylinder
5	98-9499	3	Guide-Valve, Inlet
6	98-9500	3	Guide-Valve, Exhaust
7	98-9389	2	Cap-Sealing
9	98-9395	1	Cap-Sealing
10	98-9613	1	Gasket-Head, Cylinder
11	98-7540	2	Plug
12	98-7509	1	O-Ring
13	98-9647	2	Bolt-Head, Cylinder

Ref. No.	Part No.	Qty.	Description

5 — [ 7-9  
12-14  
16-18

Parts not listed in parts list are not serviced separately.

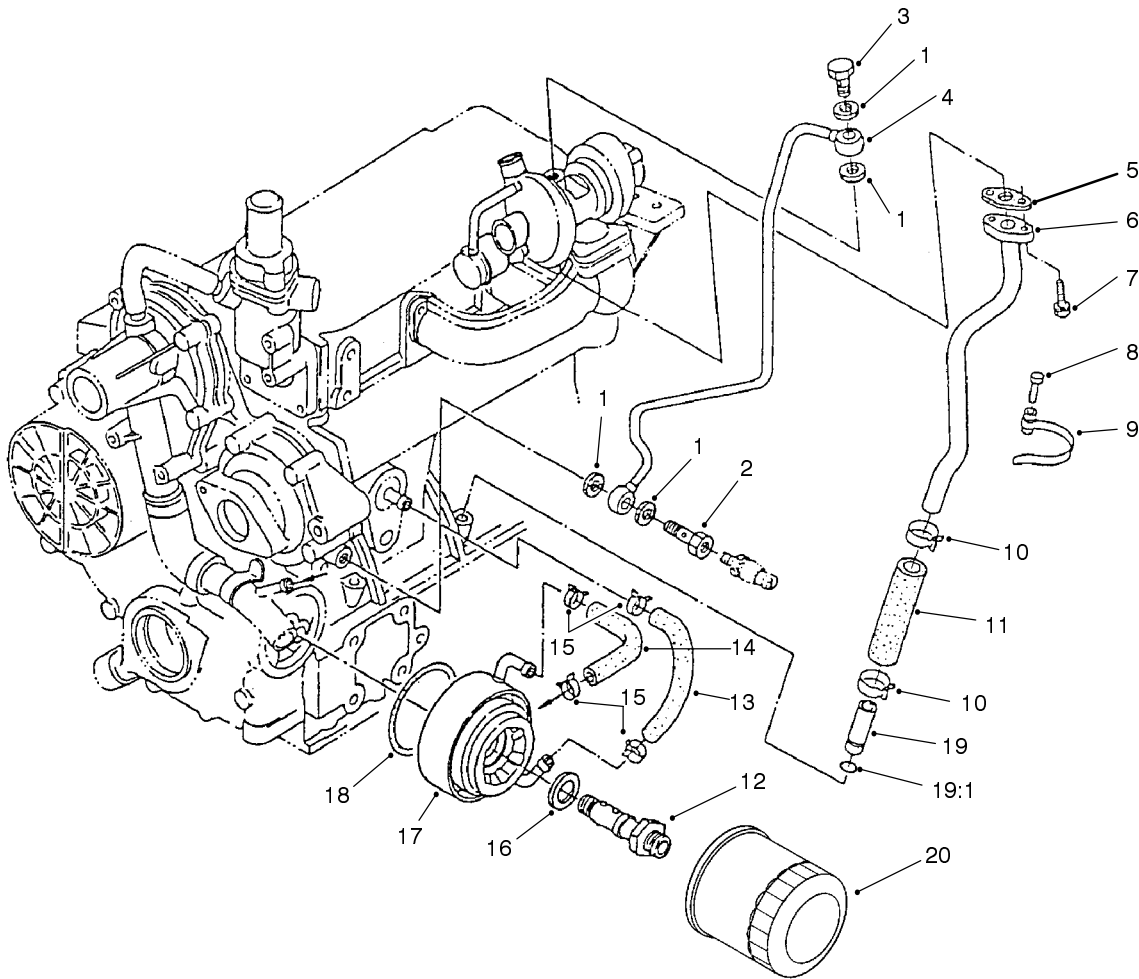


T-2909

## Gear Case and Oil Filter Assembly

Ref. No.	Part No.	Qty.	Description
1	98-7572	1	Nut
2	98-9367	1	Washer-Lock
3	98-9363	1	Stud
4	98-9362	2	Stud
5	98-9481	1	Gear Case ASM
6	98-9633	1	Gasket-Case, Gear
7	98-9592	5	Screw
8	98-9541	1	Cover-Pump, Oil
9	98-9540	1	Oil Pump Rotor ASM
10	98-9372	2	O-Ring
11	98-7547	2	O-Ring
12	98-9544	1	Spring
13	98-9380	1	Ball
14	98-9543	1	Seal-Valve
15	99-8384	1	Oil Cartridge ASM
16	98-9388	1	Joint-Pipe
17	98-7562	1	Washer-Flat
18	98-9598	2	Plug
19	98-9356	2	Bolt
20	98-9355	6	Bolt
21	98-9586	1	Bolt
22	98-9482	1	Seal-Oil
23	98-9437	1	Bolt
24	98-7496	3	Bolt
25	98-9684	1	Gasket-Case, Gear

Ref. No.	Part No.	Qty.	Description
26	98-9641	1	Cover
27	98-7692	2	Bolt

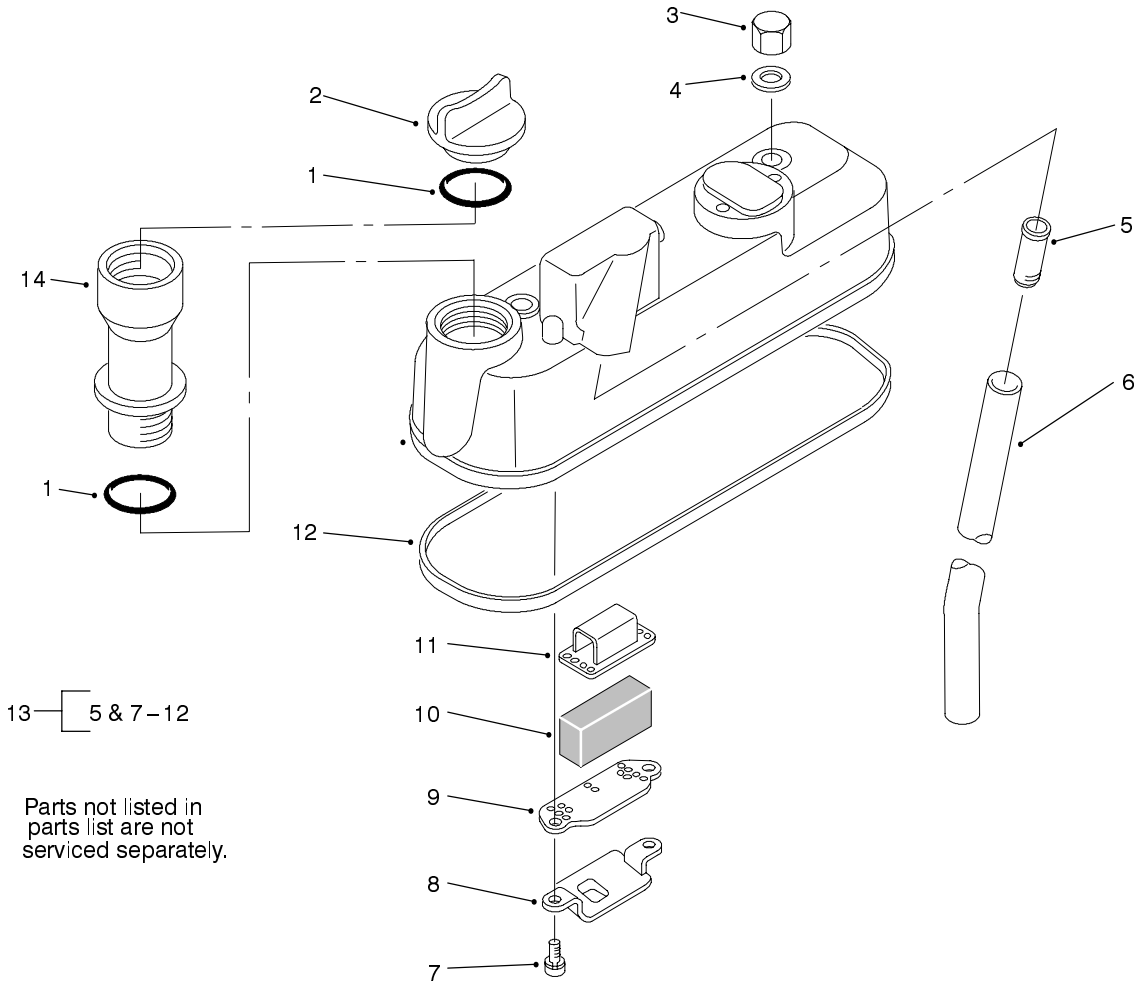


T-3079-1

## Filter, Oil Cooler & Pipe Assembly

Ref. No.	Part No.	Qty.	Description
1	99-8346	4	Gasket
2	98-9417	1	Bolt-Eye Joint
3	98-9418	1	Bolt-Eye Joint
4	98-9419	1	Pipe-Oil
5	98-9435	1	Gasket
6	98-9461	1	Pipe-Oil
7	98-7568	2	Bolt
8	98-9591	1	Pin-Band
9	98-9601	1	Clamp-Pipe
10	98-9714	2	Clamp-Hose
11	98-9721	1	Pipe-Oil
12	98-9723	1	ASM-Holder
13	98-9724	1	Pipe-Cooler, Oil
14	98-9578	1	Pipe-Return, Water
15	98-9579	4	Band-Pipe
16	98-9727	1	Collar
17	98-9728	1	ASM-Cooler, Oil
18	98-9729	1	O-Ring
19	99-8383	1	ASM-Pipe, Oil
19:1	98-9722	1	O-Ring
20	99-8384	1	ASM-Cartridge, Oil

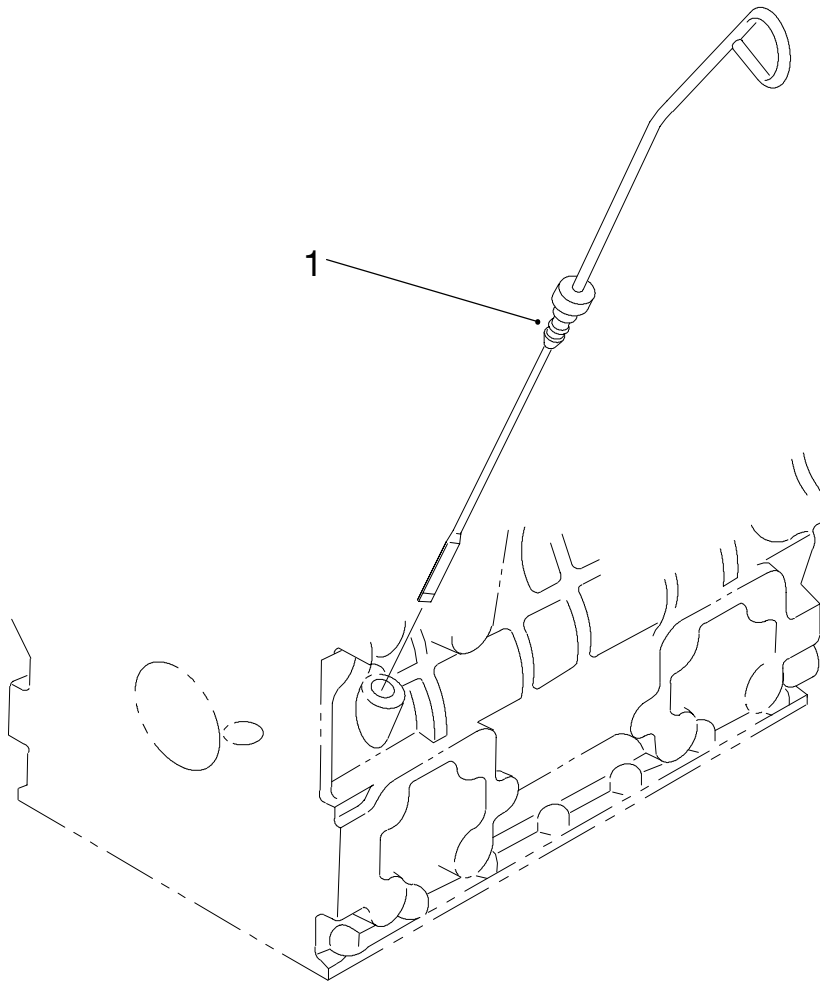
Ref. No.	Part No.	Qty.	Description



T-2910-1

## Head Cover Assembly

Ref. No.	Part No.	Qty.	Description	Ref. No.	Part No.	Qty.	Description
1	98-7430	2	O-Ring				
2	98-9449	1	Plug-Filter, Oil				
3	98-9455	3	Nut-Cap				
4	98-9454	3	Gasket				
5	98-9492	1	Joint-Pipe, Breather				
6	98-9491	1	Pipe-Breather				
7	98-9364	2	Screw w/washer				
8	98-9490	1	Breather-Shield, Oil				
9	98-9488	1	Plate-Element, Breather				
10	98-9493	1	Element-Breather				
11	98-9489	1	Plate-Element, Breather				
12	98-9615	1	Gasket-Cover, Head				
13	98-9614	1	Cylinder Head Cover ASM				
14	99-8349	1	Extension-Fill, Oil				

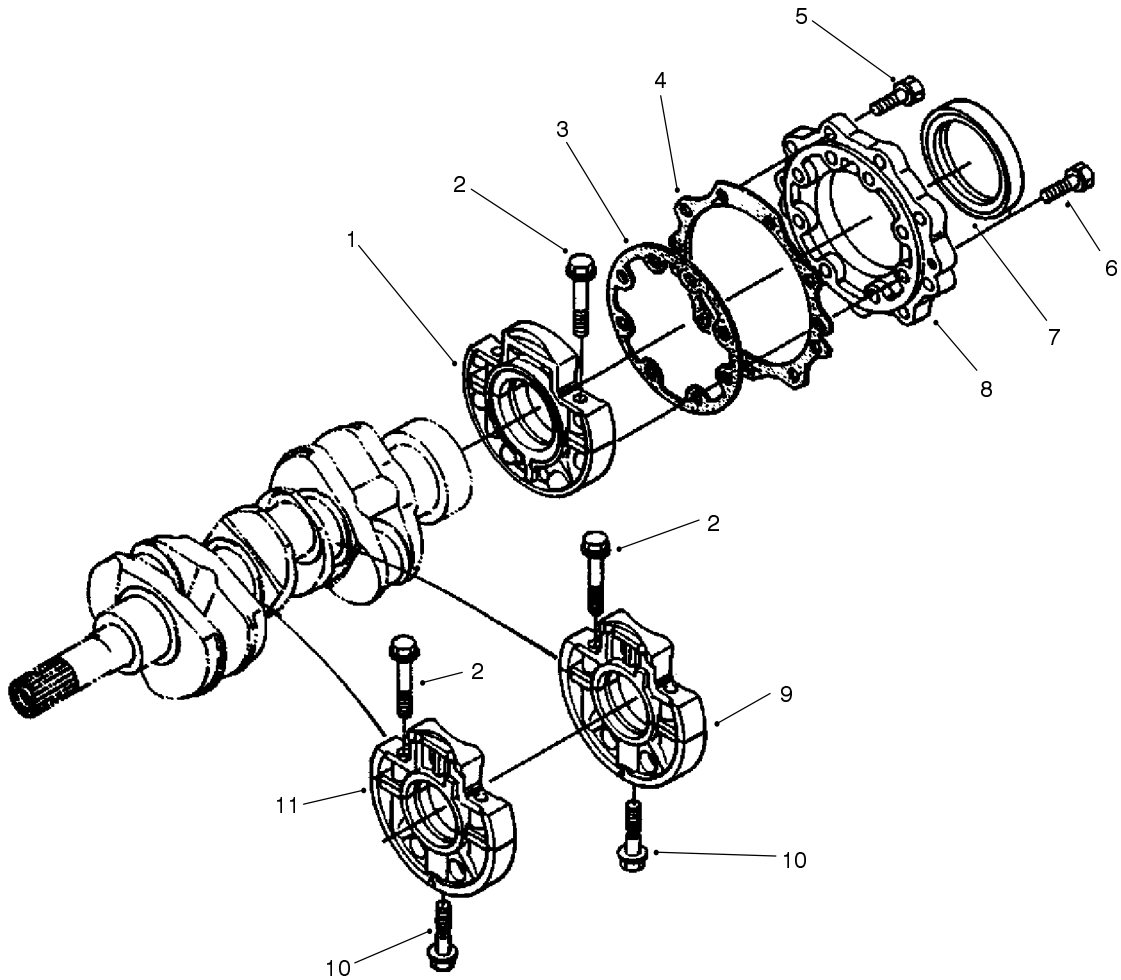


T-3094

### Dipstick Assembly

Ref. No.	Part No.	Qty.	Description
1	98-9670	1	Gauge-Oil

Ref. No.	Part No.	Qty.	Description



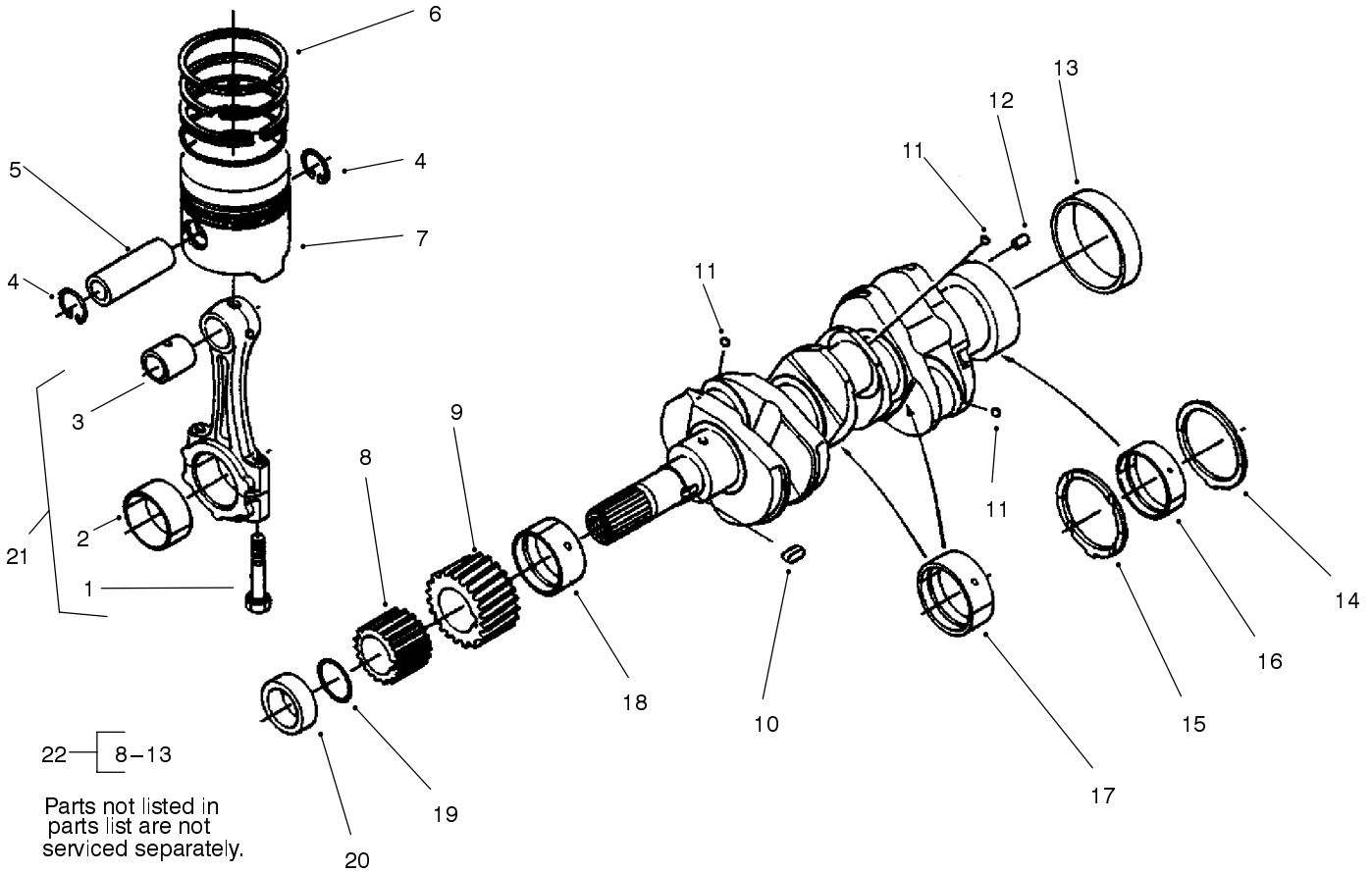
T-2912

### Main Bearing Case Assembly

Ref. No.	Part No.	Qty.	Description
1	99-8345	1	Main Bearing Case ASM
2	98-9484	6	Bolt-Case, Bearing
3	98-9634	1	Gasket-Case, Bearing
4	98-9635	1	Gasket-Cover, Bearing Case
5	98-7568	9	Bolt
6	98-9352	8	Bolt
7	98-9483	1	Seal-Oil
8	98-9487	1	Cover-Case, Bearing
9	98-9607	1	Main Bearing Case ASM
10	98-9485	2	Bolt-Case, Bearing
11	98-9606	1	Main Bearing Case ASM

Ref. No.	Part No.	Qty.	Description





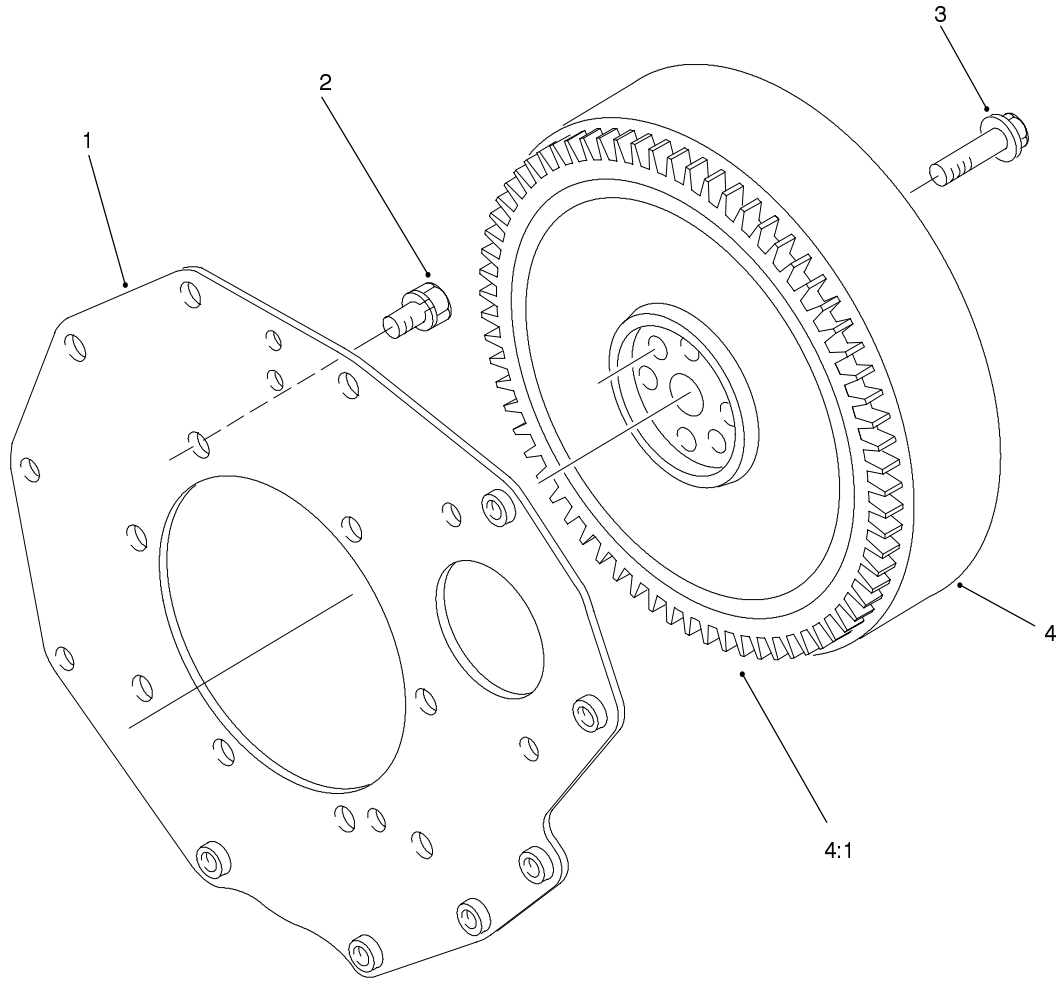
T-2914

## Piston and Crankshaft Assembly

Ref. No.	Part No.	Qty.	Description
1	98-9517	6	Bolt-Rod, Connecting
2	98-9518	3	Metal-Crankpin (Std.)
2	98-9519	3	Metal-Crankpin (0.2mm Undersize)
2	98-9520	3	Metal-Crankpin (0.4mm Undersize)
3	98-9515	3	Bushing-Pin, Piston
4	98-9514	6	Clip-Circular, Piston Pin
5	98-9513	3	Pin-Piston
6	98-9618	3	Piston Ring ASM (Std.)
6	98-9619	3	Piston Ring ASM (0.5mm Oversize)
7	98-9469	3	Piston (Std.)
7	98-9470	3	Piston (0.5mm Oversize)
8	98-9542	1	Gear-Drive, Oil Pump
9	98-9532	1	Gear-Crankshaft
10	98-9666	1	Key
11	98-7473	3	Ball
12	98-9375	1	Pin-Straight
13	98-9522	1	Sleeve-Crankshaft
14	98-9413	2	Metal-Side (Std.)
14	98-9414	2	Metal-Side (0.2mm Oversize)

Ref. No.	Part No.	Qty.	Description
14	98-9415	2	Metal-Side (0.4mm Oversize)
15	98-9688	2	Metal-Side (Std.)
15	98-9689	2	Metal-Side (0.2mm Oversize)
15	98-9690	2	Metal-Side (0.4mm Oversize)
16	98-9525	1	Metal-Crankshaft (Std.)
16	98-9526	1	Metal-Crankshaft (0.2mm Undersize)
16	98-9527	1	Metal-Crankshaft (0.4mm Undersize)
17	98-9524	2	Metal-Crankshaft (Std. Set)
17	98-9530	2	Metal-Crankshaft (0.2mm Undersize Set)
17	98-9531	2	Metal-Crankshaft (0.4mm Undersize Set)
18	98-9523	1	Metal-Crankshaft (Std.)
18	98-9528	1	Metal-Crankshaft (0.2mm Undersize)
18	98-9529	1	Metal-Crankshaft (0.4mm Undersize)
19	98-9373	1	O-Ring
20	98-9521	1	Collar-Crankshaft





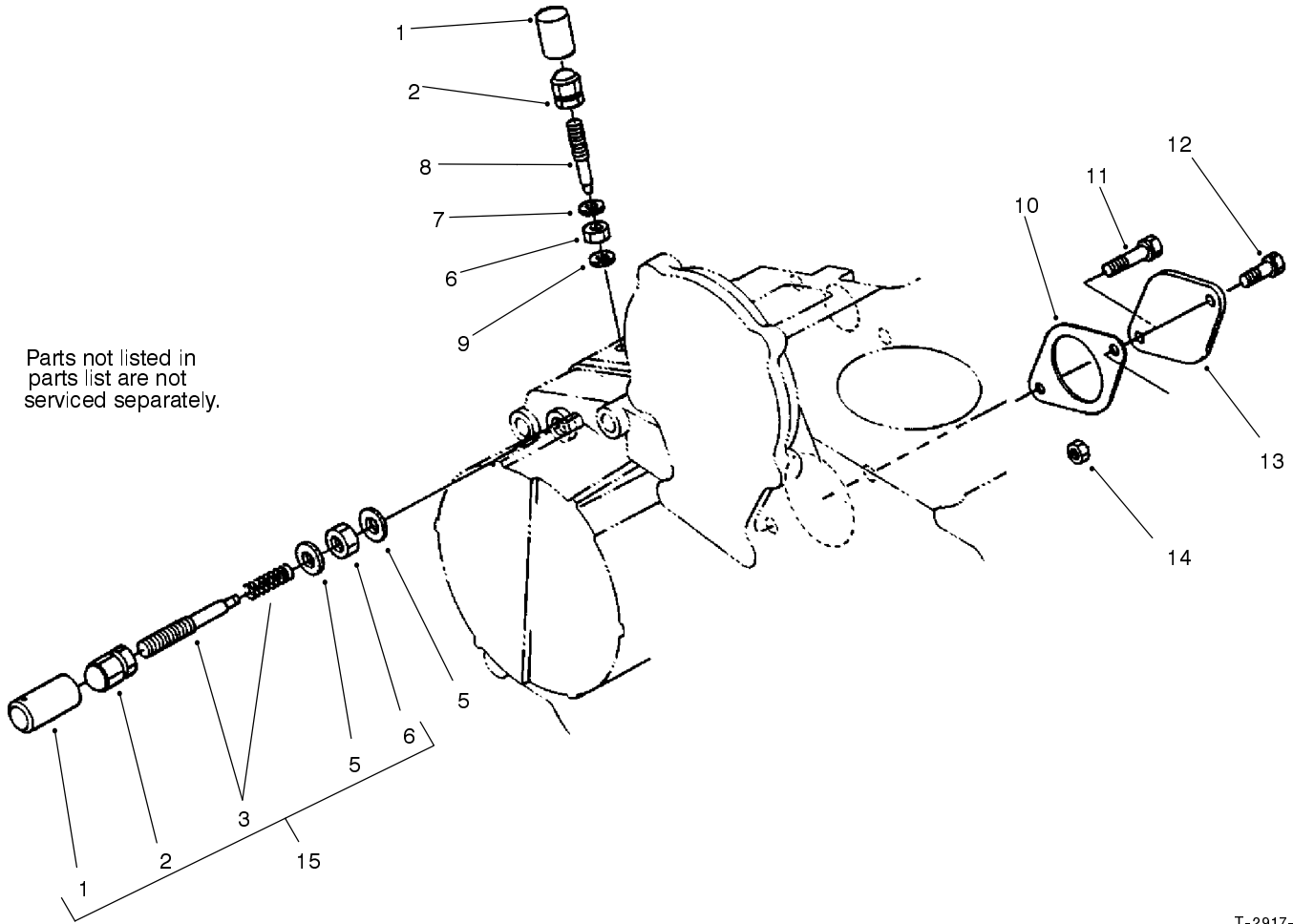
T-2915

## Flywheel Assembly

Ref. No.	Part No.	Qty.	Description
1	98-9486	1	Plate-End, Rear
2	98-9392	8	Bolt
3	98-9537	6	Bolt-Flywheel
4	98-9691	1	Flywheel ASM
4:1	98-9394	1	Gear-Ring

Ref. No.	Part No.	Qty.	Description





Parts not listed in parts list are not serviced separately.

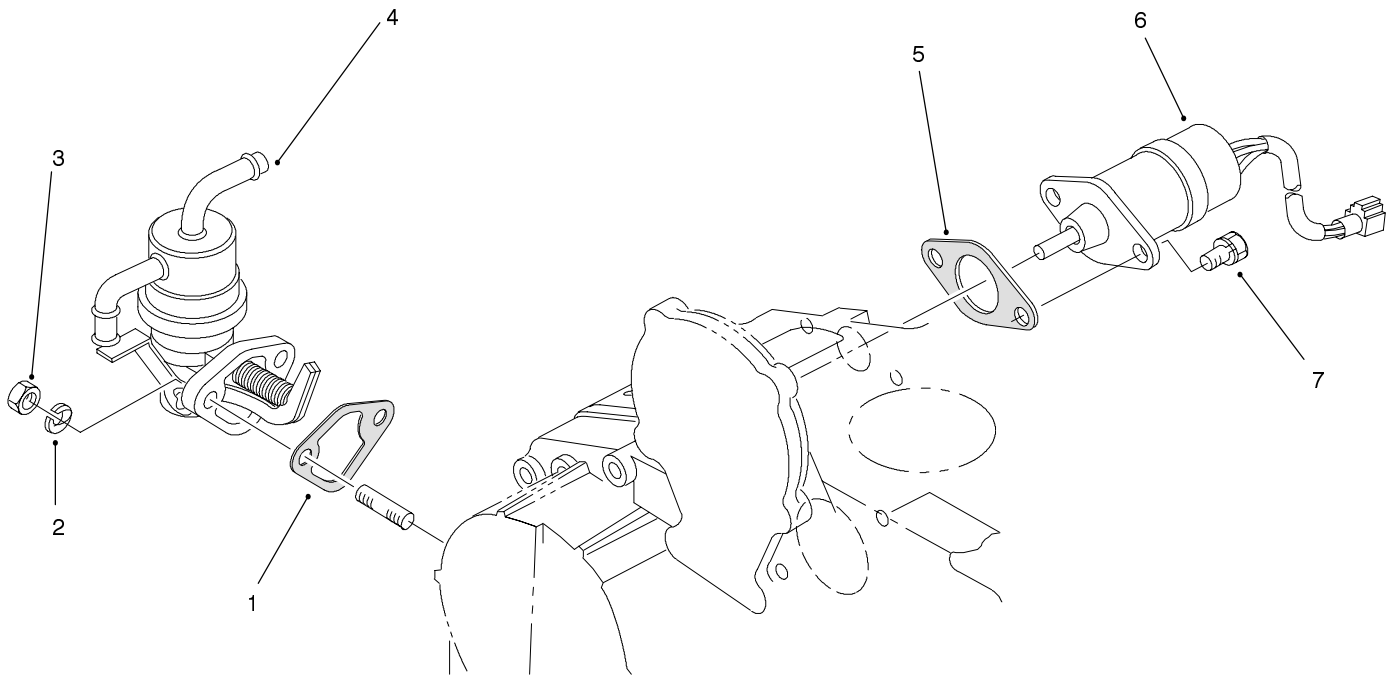
T-2917-1

## Engine Stop Lever Assembly

Ref. No.	Part No.	Qty.	Description
†1		2	Lock-Pipe, Fuel Adjust.
2	99-8382	2	Nut-Cap
3	98-9679	1	Adjusting Bolt ASM
5	98-7654	2	Gasket
6	99-8386	2	Nut
7	99-8388	1	Gasket, 10mm Dia
8	98-9557	1	Bolt-Adjusting
9	99-8389	1	Gasket, 14mm Dia.
10	98-9674	1	Packing
11	98-7645	1	Bolt
12	98-9359	1	Bolt
13	98-9640	1	Cover-Pump
14	98-7534	1	Nut
15	98-9678	1	Idle Apparatus ASM

Ref. No.	Part No.	Qty.	Description

† Items must be serviced by a Kubota Authorized Toro Dealer/Distributor.



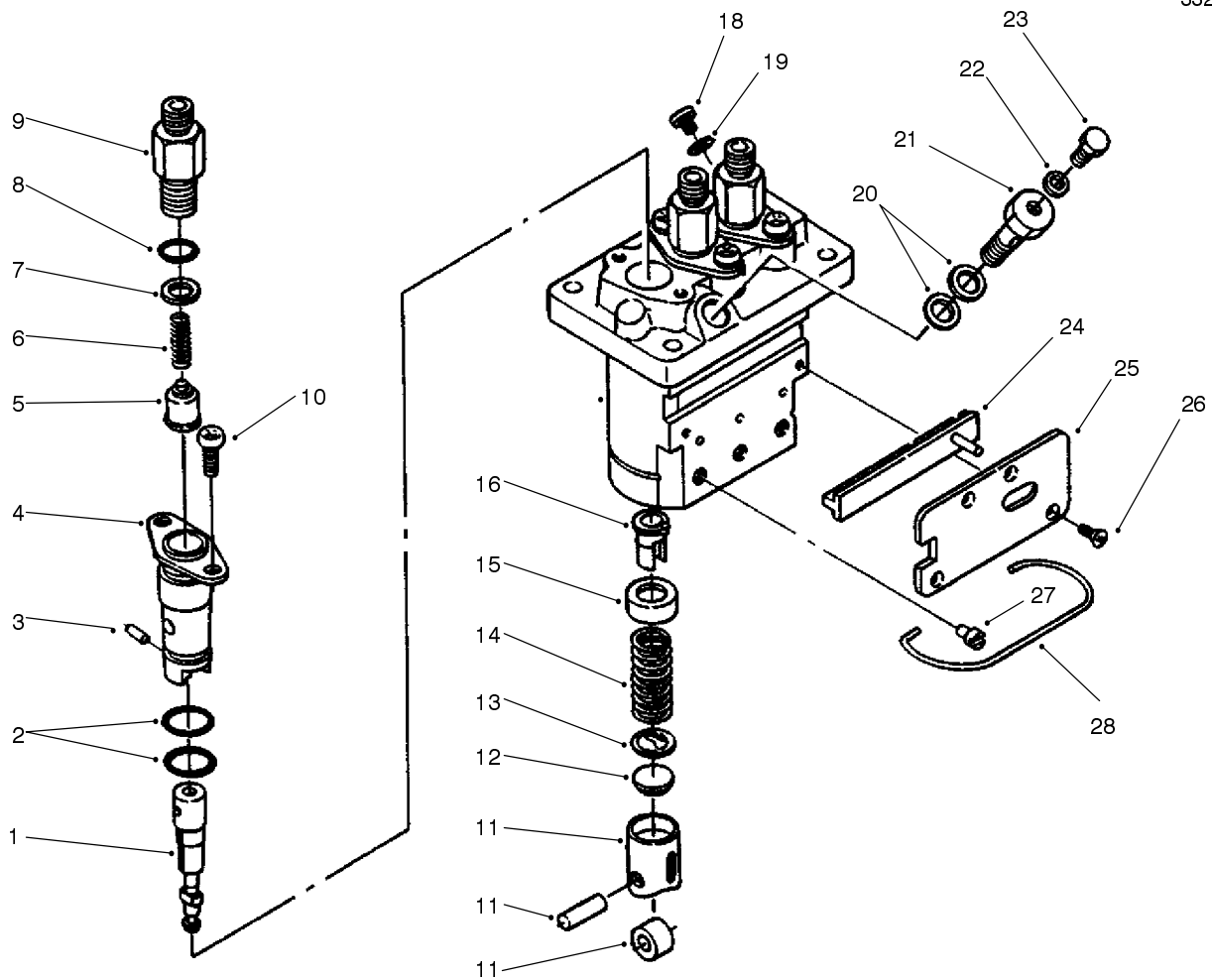
T-2918

## Stop Solenoid and Fuel Pump Assembly

Ref. No.	Part No.	Qty.	Description
1	98-9436	1	Gasket-Pump, Fuel
2	98-9367	2	Washer-Lock
3	98-7572	2	Nut
4	98-9677	1	Fuel Pump ASM
5	98-9683	1	Gasket-Cover, Solenoid
6	98-9693	1	Solenoid-Stop
7	98-9351	2	Bolt

Ref. No.	Part No.	Qty.	Description



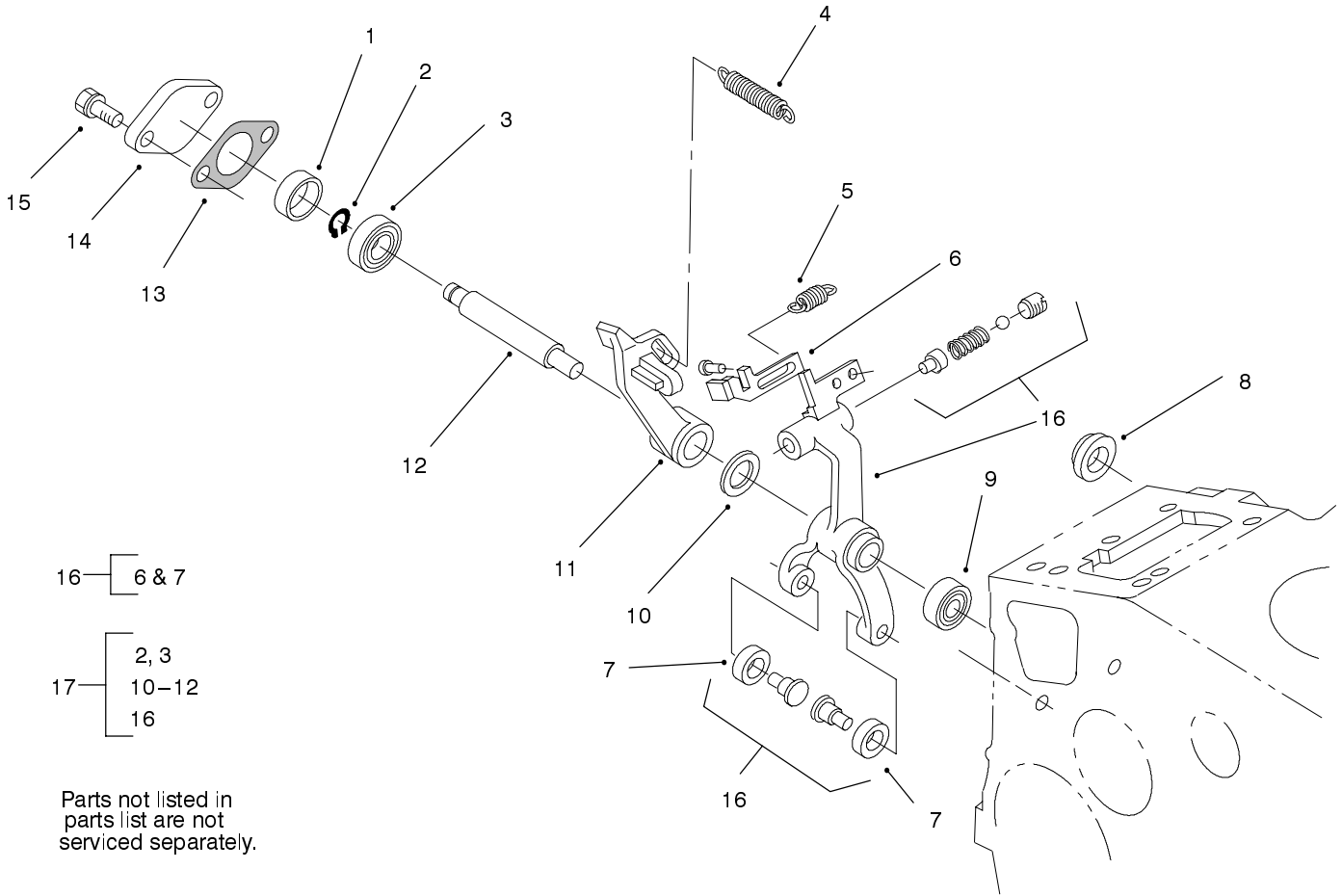


T-2920

## Injection Pump Assembly No. 98-9643

Ref. No.	Part No.	Qty.	Description
1	98-9462	3	Element-Pump
2	98-9423	6	O-Ring
3	98-9443	3	Pin-Joint
4	98-9434	3	Flange-Sleeve
5	98-9421	3	Valve-Delivery
6	98-9424	3	Spring-Valve, Delivery
7	98-9425	3	Gasket-Valve, Delivery
8	98-9447	3	O-Ring
9	98-9652	3	Holder-Valve, Delivery
10	98-9452	6	Screw
11	98-9422	3	Tappet ASM
12	98-9433	3	Shim
13	98-9429	3	Seat-Spring, Lower
14	98-9428	3	Spring-Plunger
15	98-9427	3	Seat-Spring, Upper
16	98-9432	3	Sleeve-Control
18	98-9466	1	Plug
19	98-9451	1	Gasket
20	98-9445	2	Gasket
21	98-9464	1	Bolt-Joint
22	98-9446	1	Gasket
23	98-9430	1	Screw
24	98-9463	1	Rack-Control
25	98-9465	1	Plate
26	98-9442	4	Screw-Countersunk

Ref. No.	Part No.	Qty.	Description
27	98-9426	3	Pin-Guide, Tappet
28	98-9450	1	Pin-Clamp



T-2921

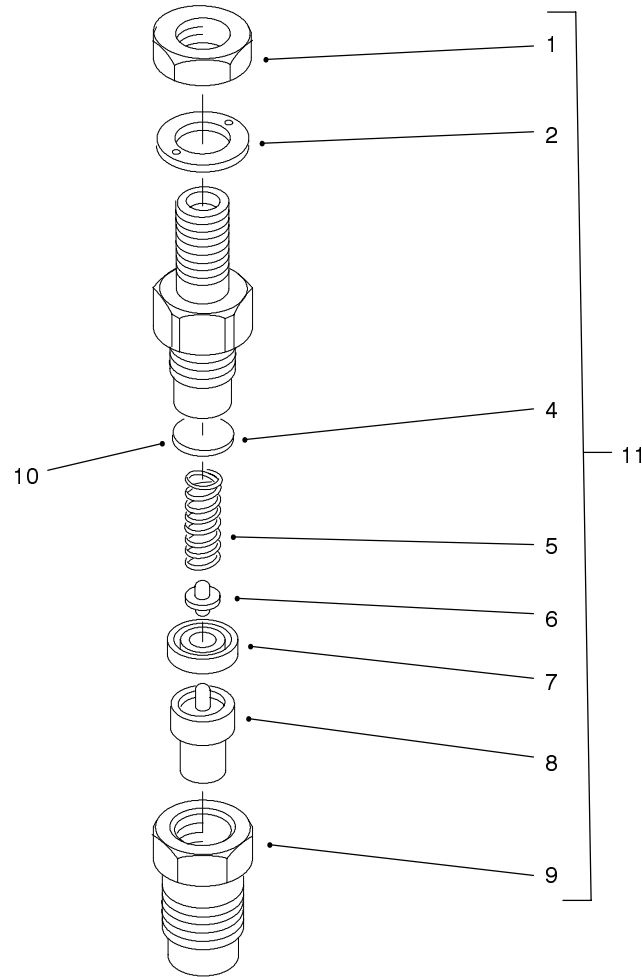
### Governor Assembly

Ref. No.	Part No.	Qty.	Description
1	98-9567	1	Collar
2	98-9369	1	Clip-Circular, External
3	98-9570	1	Bearing-Miniature
4	98-9681	1	Spring-Governor
5	98-9645	1	Spring-Start
6	98-9660	1	Lever-Thrust
7	98-9692	2	Roller
8	98-9568	1	Collar
9	98-9571	1	Bearing-Miniature
10	98-9593	1	Washer-Flat
11	98-9659	1	Lever-Fork
12	98-9566	1	Shaft-Lever, Fork
13	98-9682	1	Gasket
14	98-9569	1	Cover-Shaft, Fork Lever
15	98-9351	2	Bolt
16	99-8380	1	Complete Lever & Fork
17	98-9680	1	Fork Lever ASM

Ref. No.	Part No.	Qty.	Description







Parts not listed in parts list are not serviced separately.

T-2924

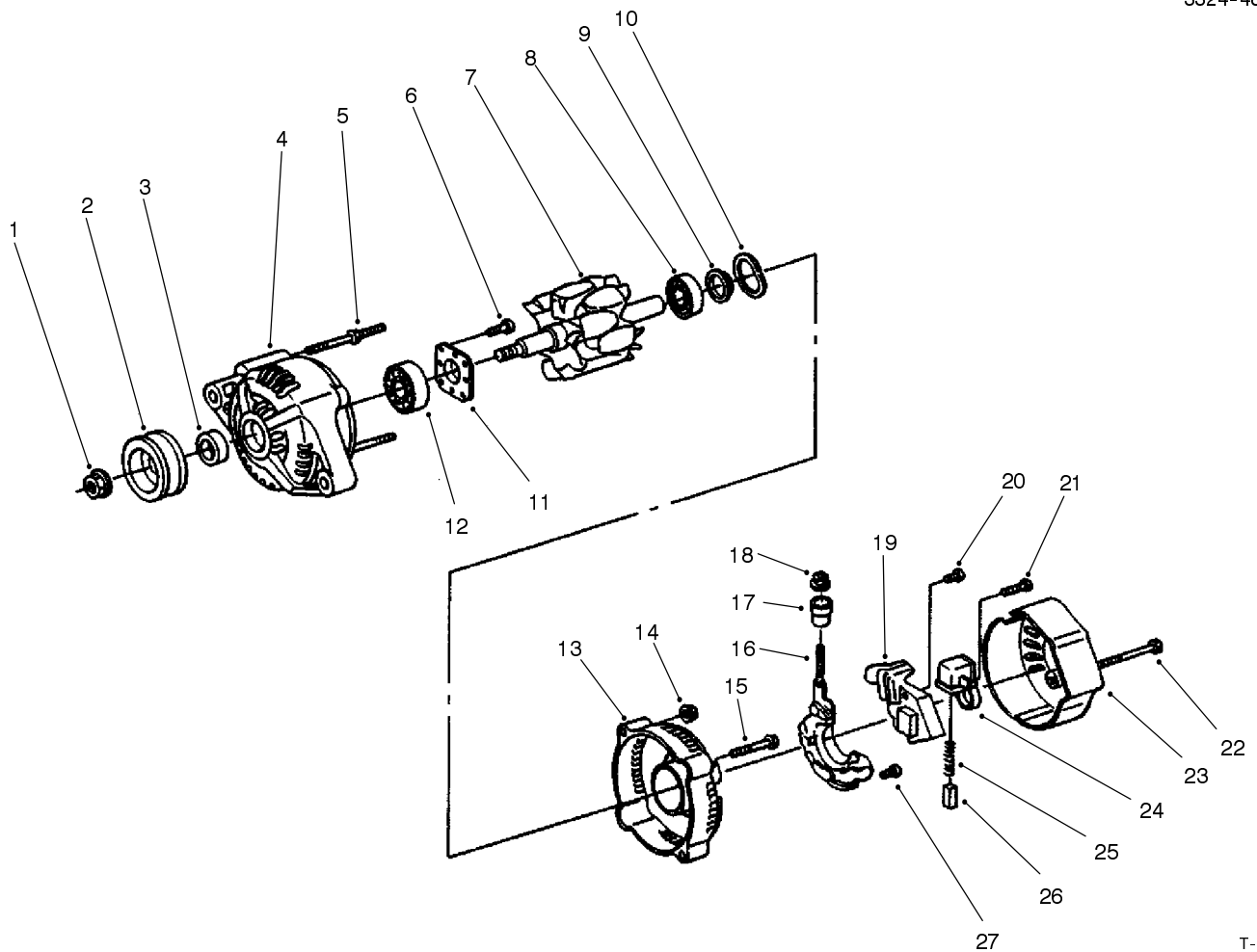
### Nozzle Holder Assembly 98-9468

Ref. No.	Part No.	Qty.	Description
1	99-8301	3	Nut
2	99-8307	3	Washer
4	99-8302	3	Washer-Adjusting
5	99-8303	3	Spring-Nozzle
6	99-8305	3	Rod-Push
7	99-8304	3	Piece-Distance
8	99-8308	3	Piece-Nozzle
9	99-8306	3	Nut-Nozzle
10	99-8309	3	Adjusting Washer ASM
*	99-8310	3	Washer-Adj. (0.10mm)
*	99-8311	3	Washer-Adj. (0.20mm)
10	99-8312	3	Washer-Adj. (0.30mm)
*	99-8313	3	Washer-Adj. (0.40mm)
*	99-8314	3	Washer-Adj. (0.50mm)
*	99-8315	3	Washer-Adj. (0.52mm)
*	99-8316	3	Washer-Adj. (0.54mm)
*	99-8317	3	Washer-Adj. (0.56mm)
*	99-8318	3	Washer-Adj. (0.58mm)
*	99-8319	3	Washer-Adj. (0.80mm)
11	98-9468	3	Nozzle Holder ASM

Ref. No.	Part No.	Qty.	Description

\* Not Illustrated.



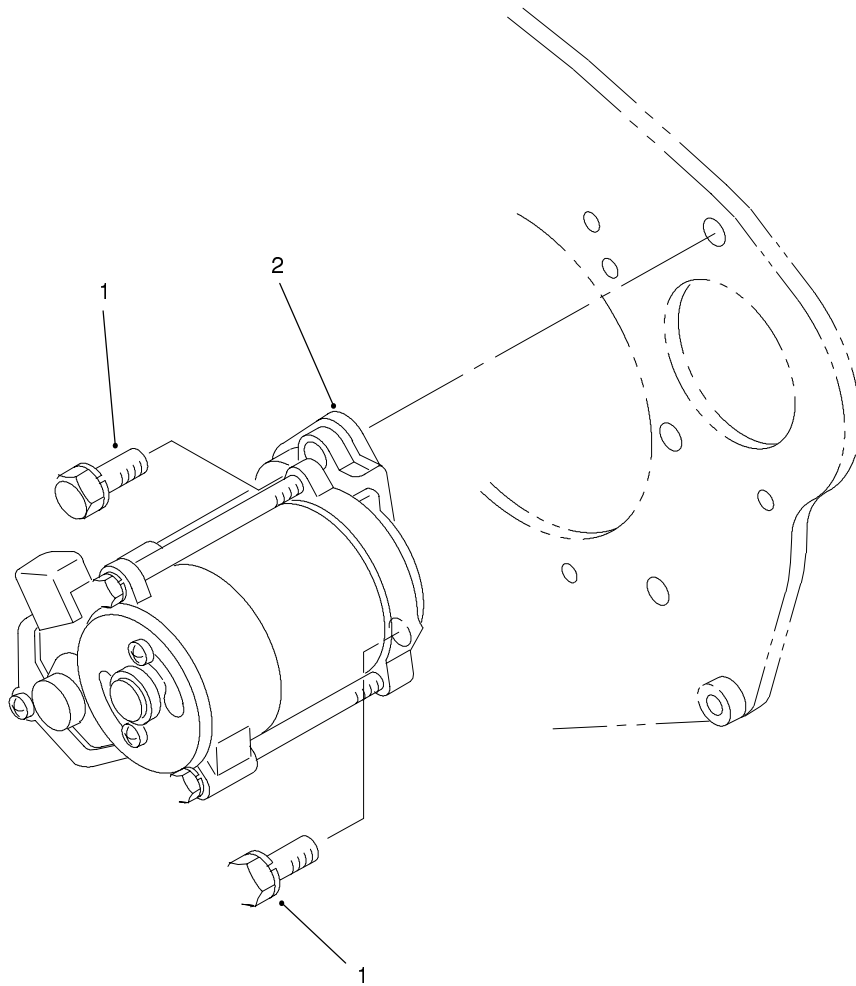


T-2927

## Alternator Assembly No. 98-9474

Ref. No.	Part No.	Qty.	Description
1	98-7708	1	Nut
2	98-9453	1	Pulley-Dynamo
3	98-7709	1	Collar
4	99-7714	1	Frame-End, Drive
5	98-7717	2	Bolt-Through
6	98-7716	4	Screw-RH
7	98-7710	1	Rotor
8	98-7712	1	Bearing-Ball
9	98-7711	1	Cover-Bearing
10	98-7713	1	Washer-Thrust
11	98-7715	1	Plate-Retainer
12	98-7718	1	Bearing-Ball
13	98-7719	1	Frame-End
14	98-7730	2	Nut
15	98-7731	2	Bolt
16	98-7721	1	Rectifier ASM
17	98-7722	1	Bushing-Insulation
18	98-7732	1	Nut
19	98-7733	1	Regulator ASM
20	98-7726	2	Screw-RH
21	98-7728	1	Screw-RH
22	98-7729	3	Bolt
23	98-7720	1	Cover-End
24	98-7723	1	Holder-Brush
25	98-7725	2	Spring-Brush

Ref. No.	Part No.	Qty.	Description
26	98-7724	2	Brush
27	98-7727	6	Screw-RH

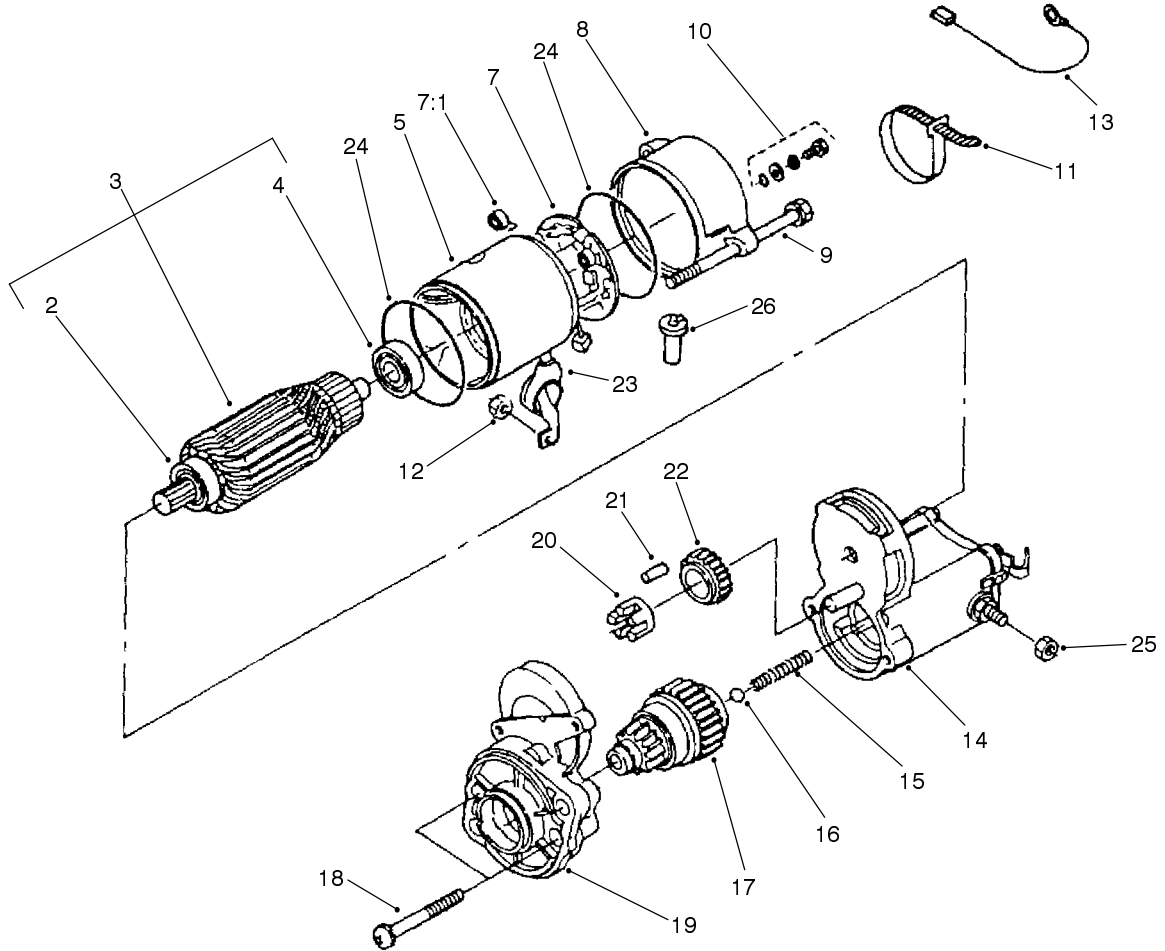


T-2928

### Starter Mount Assembly

Ref. No.	Part No.	Qty.	Description
1	98-7697	2	Bolt
2	98-9705	1	Starter Asm

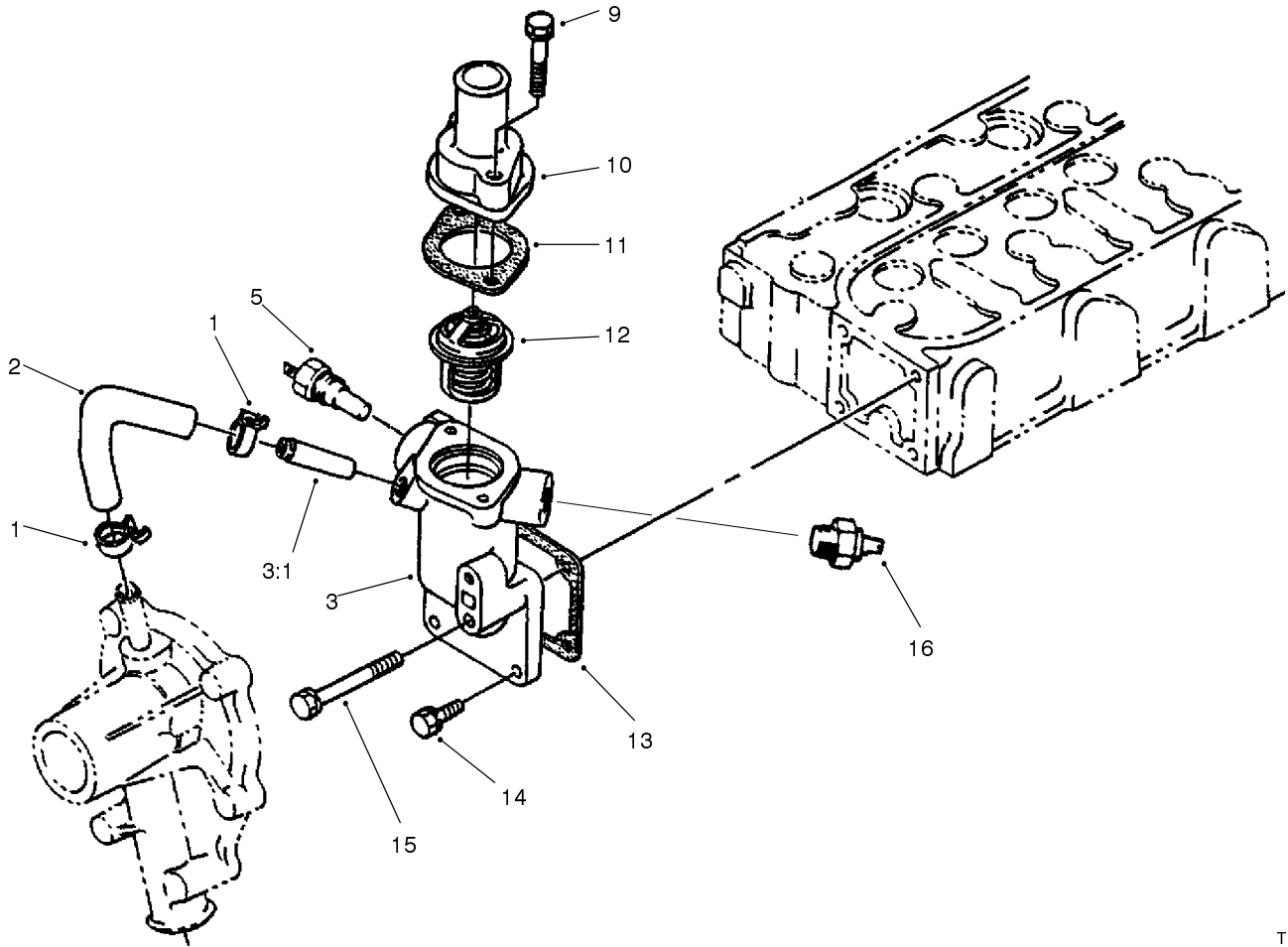
Ref. No.	Part No.	Qty.	Description
----------	----------	------	-------------



T-3081

## Starter Assembly No. 98-9705

Ref. No.	Part No.	Qty.	Description	Ref. No.	Part No.	Qty.	Description
2	98-7743	1	Bearing-Ball				
3	98-7742	1	Armature ASM				
4	98-7744	1	Bearing-Ball				
5	98-7741	1	Yoke ASM				
7	98-7749	1	Brush Holder ASM				
7:1	98-7750	4	Spring-Brush				
8	99-8370	1	Frame-End				
9	98-9549	2	Bolt				
10	98-7758	2	Bolt ASM				
11	98-9712	1	Band-Cover				
12	99-8371	1	Nut-Hex				
13	98-9711	1	Cord-Stop, Solenoid				
14	99-8372	1	Magnetic Switch ASM				
15	98-7754	1	Spring				
16	98-7755	1	Ball				
17	99-8373	1	Clutch				
18	98-7756	2	Bolt				
19	99-8374	1	Frame-End, Drive				
20	98-7752	1	Retainer				
21	98-7753	5	Roller				
22	98-7751	1	Gear				
23	99-8375	1	Cover-Cord				
24	98-7757	2	O-Ring				
25	99-8376	1	Nut				
26	98-7759	1	Pipe-Drain				

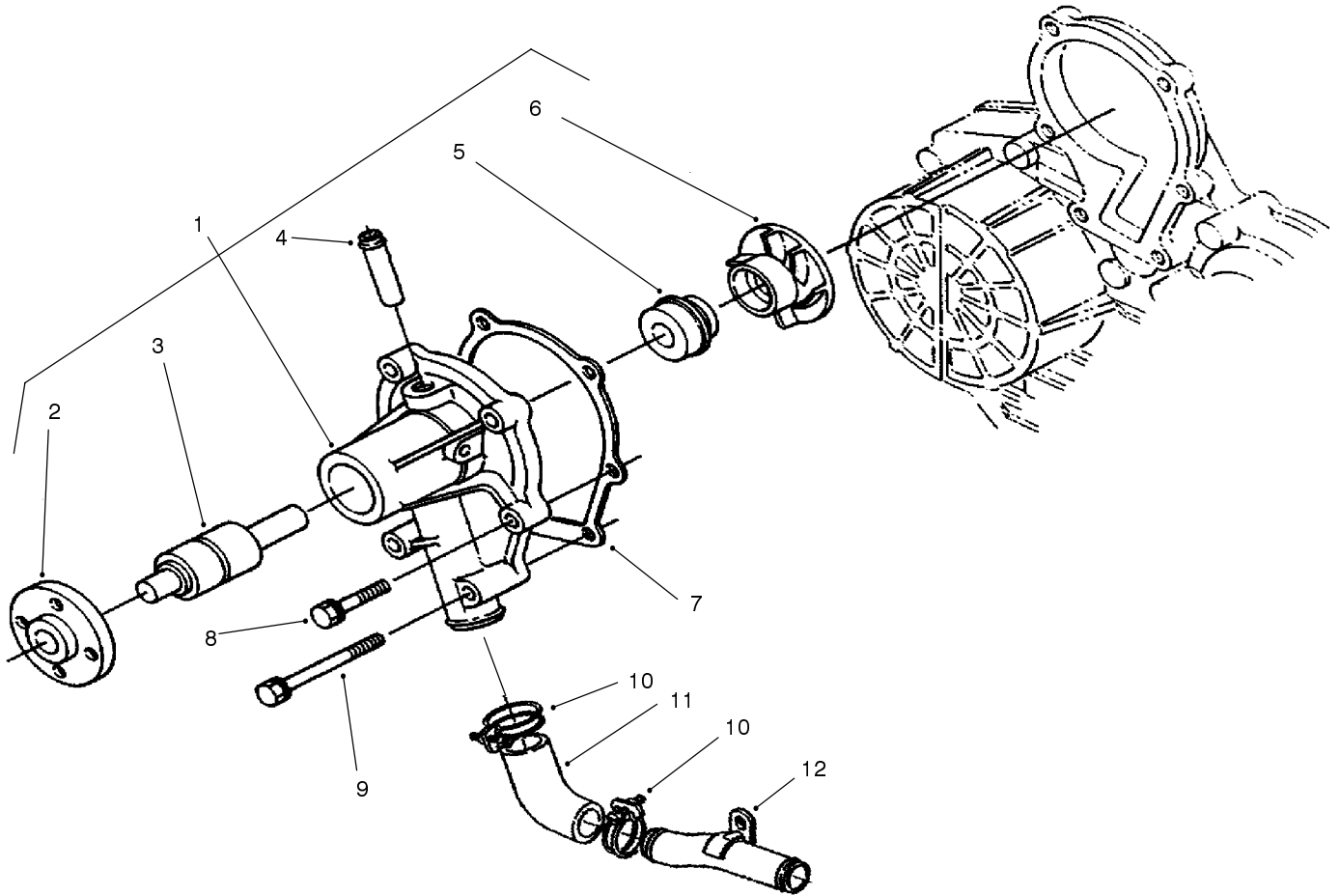


T-2930

### Water Flange and Thermostat Assembly

Ref. No.	Part No.	Qty.	Description
1	98-9579	2	Band-Pipe
2	98-9578	1	Pipe-Return, Water
3	98-9713	1	Water Flange ASM
3:1	98-9580	1	Pipe-Return, Water
5	98-9719	1	Thermoswitch
9	98-7777	2	Bolt
10	98-9471	1	Cover-Thermostat
11	98-7776	1	Gasket
12	98-7778	1	Thermostat ASM
13	98-9638	1	Gasket-Flange, Water
14	98-7692	3	Bolt
15	98-9356	1	Bolt
16	98-9346	1	Switch

Ref. No.	Part No.	Qty.	Description



T-2931

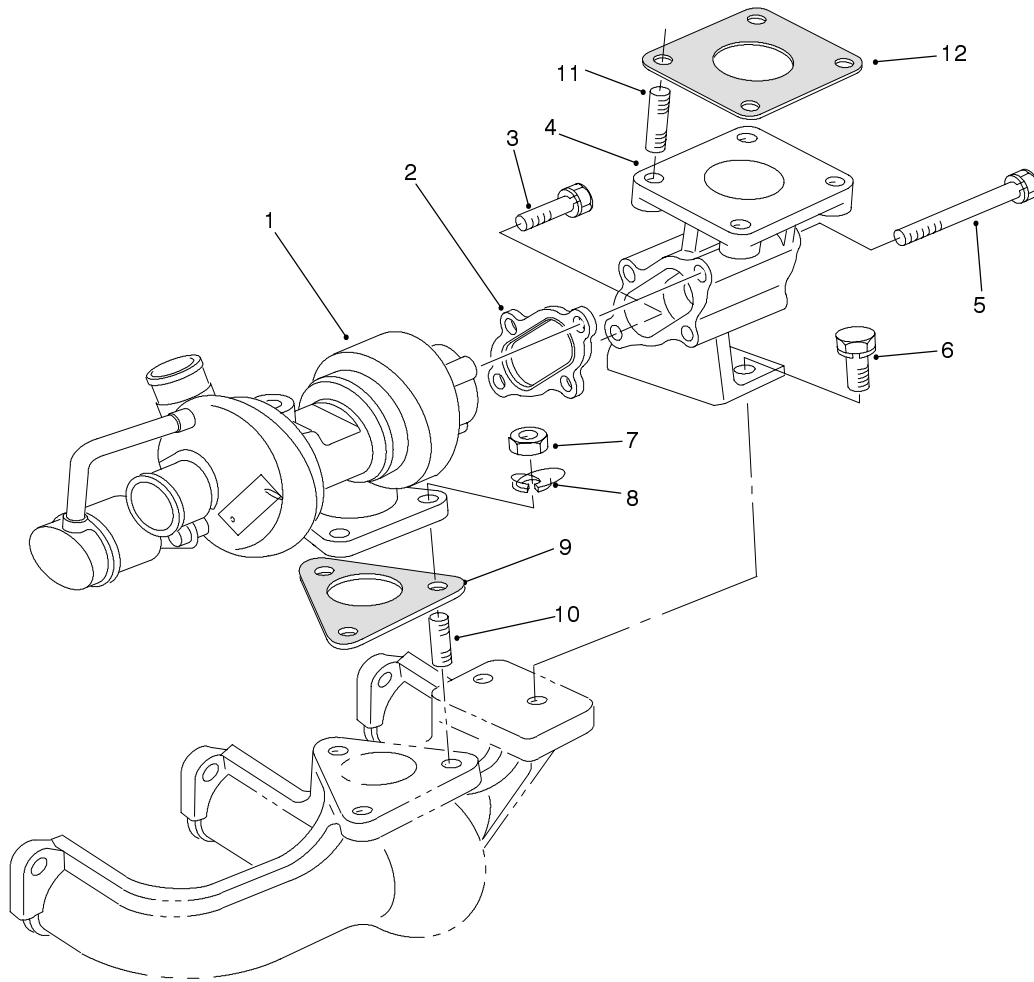
### Water Pump Assembly

Ref. No.	Part No.	Qty.	Description
1	98-9575	1	Water Pump ASM
2	98-9582	1	Flange-Pump, Water
3	98-9583	1	Bearing
4	98-9577	1	Pipe-Return, Water
5	98-9576	1	Seal ASM
6	98-9581	1	Impeller-Water
7	98-9632	1	Gasket-Pump, Water
8	98-9353	1	Bolt
9	98-9357	4	Bolt
10	98-9717	2	Clamp
11	98-9574	1	Pipe-Water
12	98-9716	1	Pipe-Water

Ref. No.	Part No.	Qty.	Description







T-3078

## Turbo Charger Assembly

Ref. No.	Part No.	Qty.	Description
1	99-8332	1	ASM- Charger, Turbo
2	99-8333	1	Gasket
3	99-8334	1	Bolt
4	99-8335	1	FLange-Muffler
5	99-8336	3	Bolt
6	98-7610	2	Bolt
7	98-7534	3	Nut
8	99-8339	3	Washer-Lock
9	99-8340	1	Gasket
10	99-8341	3	Stud
11	99-8342	4	Stud
12	99-8343	1	Gasket-Muffler

Ref. No.	Part No.	Qty.	Description







