



**Count on it.**

**Parts Catalog**

**22in Recycler<sup>®</sup>**

**Lawn Mower with SmartStow<sup>®</sup>**

Model No. 20355—Serial No. 406000000 and Up



# Ordering Replacement Parts

To order replacement parts, please supply the part number, the quantity, and the description of each part desired.

## Understanding Reference Numbers

Each identified part in an illustration has a reference number. The reference number for a part also appears in the parts list, along with other information about the part.

This catalog uses two special reference number formats, one to indicate parts in a service assembly and another to indicate the quantity of a given part in an illustration.

## Service Assembly Reference Numbers

Parts in service assemblies have reference numbers in the form a:b. The a represents the reference number of the entire service assembly and the b represents a sequential number unique to each part within the service assembly.

For example, a wheel assembly might be identified by reference number 6, the tire by 6:1, the valve by 6:2, and the wheel by 6:3. When you order the assembly identified by reference number 6, you receive all parts identified by reference numbers 6:1, 6:2, and 6:3. However, you may also order any part individually. Reference numbers of this type appear in illustration and in parts lists.

## Reference Numbers Indicating Quantity

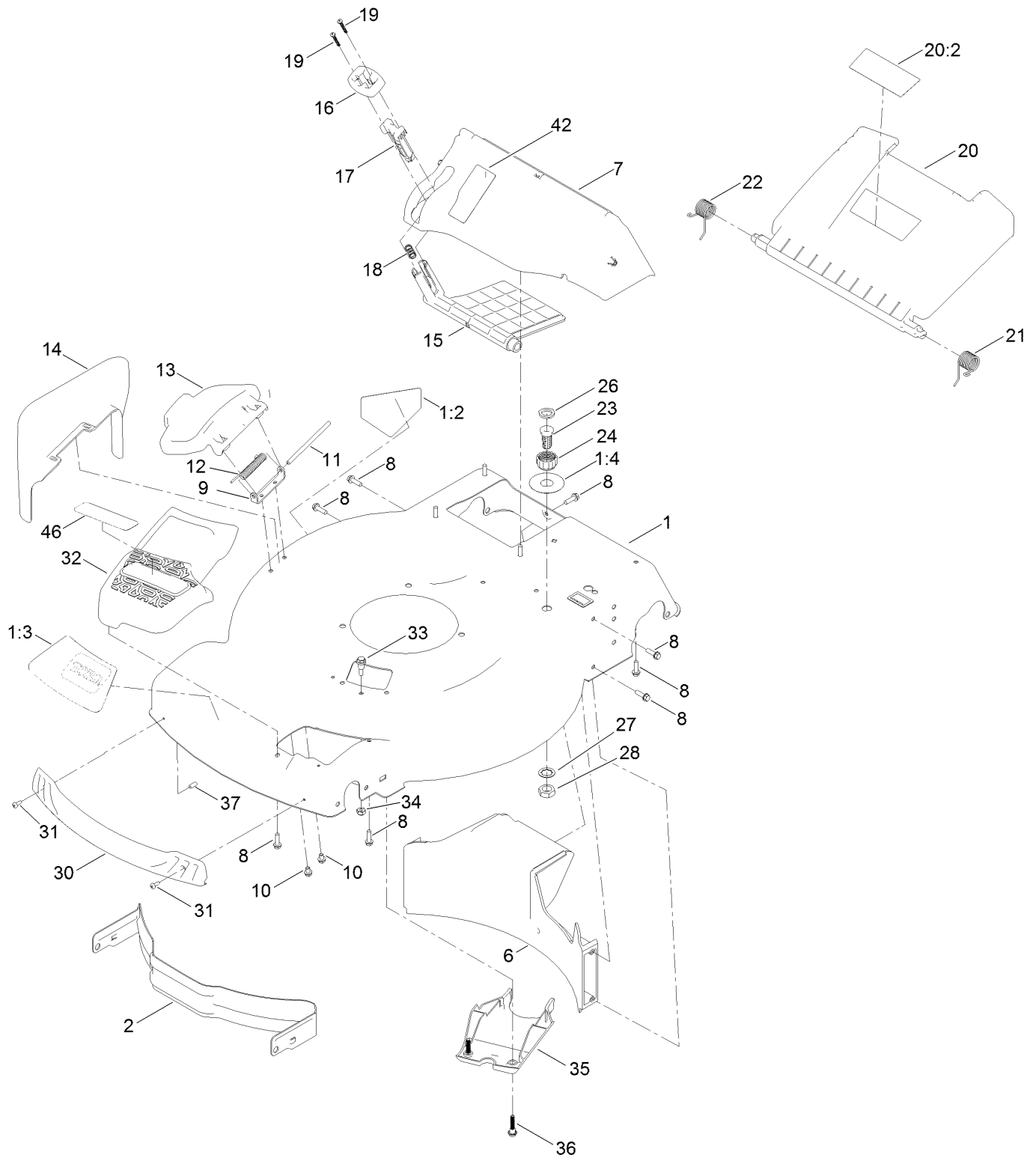
In an illustration, if a reference number indicates more than one part, the reference number has the form nX y. The n represents the quantity of the part, the X is the multiplication symbol, and the y represents the reference number.

For example, in an illustration, the reference number 2X 37 means that two of the parts identified by reference number 37 are indicated.

# Contents

Housing Assembly .....	4
Bag Assembly .....	6
Engine and Blade Assembly .....	8
Front Wheel and Height-of-Cut Assembly .....	10
Rear Wheel and Height-of-Cut Assembly .....	12
Handle Assembly .....	14
Attachments and Accessories .....	16

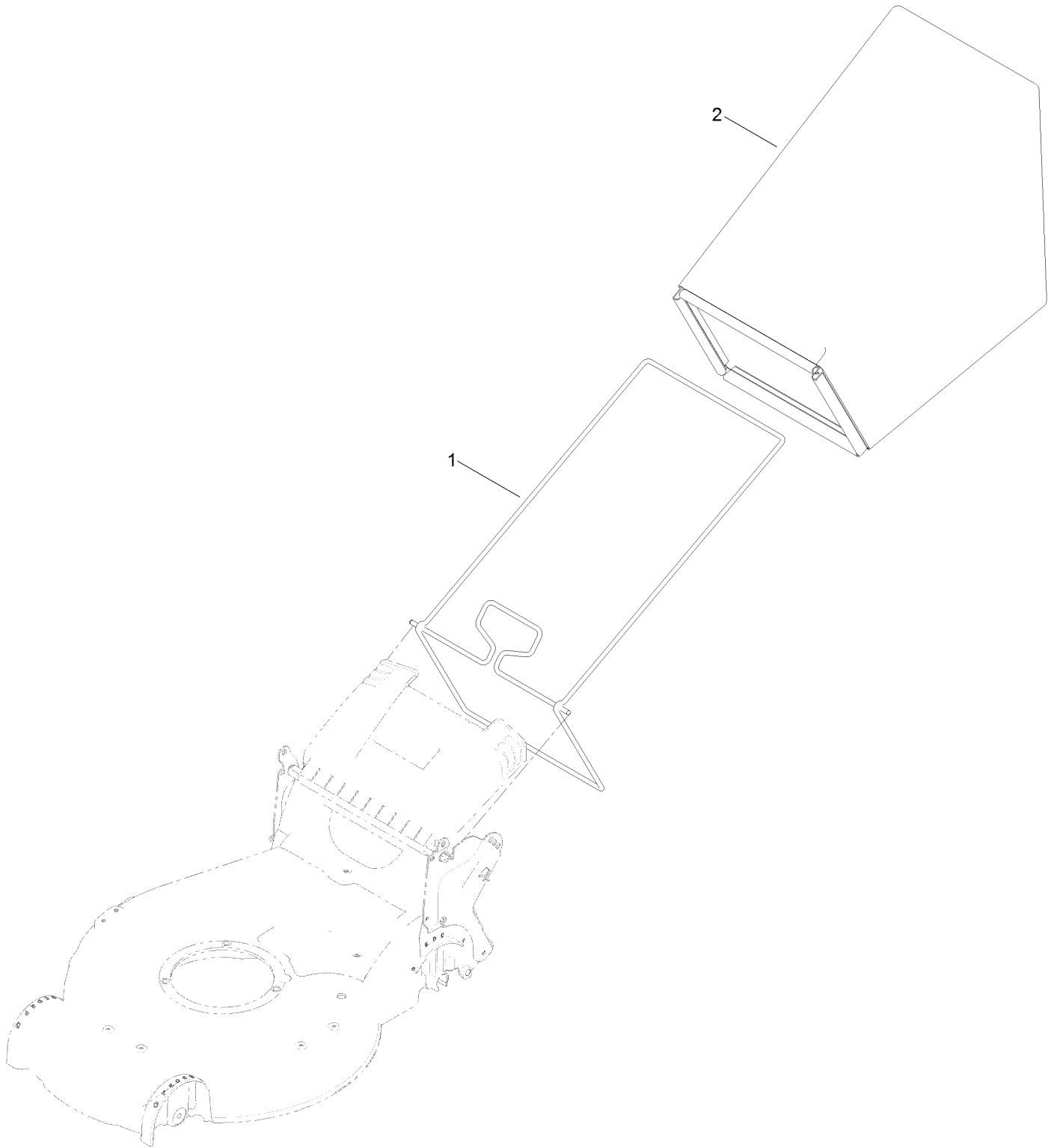
# Housing Assembly



## Housing Assembly (continued)

<i>Ref.</i>	<i>Part Number</i>	<i>Qty.</i>	<i>Description</i>	<i>Ref.</i>	<i>Part Number</i>	<i>Qty.</i>	<i>Description</i>
1	131-4579	1	Housing ASM	20:2	131-4514	1	Decal-Warning
1:2	94-8072	1	Decal-Danger	21	115-2859	1	Spring-Torsion
1:3	131-4526	1	Decal-Deck	22	114-7924	1	Spring-Torsion
1:4	137-9196	1	Decal-Quick Wash	23	112-6400	1	Port-Washout
2	114-7963-01	1	Baffle-Front	24	112-6401	1	Coupling-Hose, Washout Port
6	139-8982	1	Baffle-Rear	26	112-6438	1	Washer-Seal, Washout Port
7	136-5882	1	Chute-Recycle	27	3254-5	1	Washer-Lock
8	46-8091	11	Screw-HWH	28	3218-6	1	Nut-Jam
9	112-6416	1	Bracket-Cover	30	114-7987	1	Bumper
10	99-8445	2	Screw-HWH	31	105-6849	2	Screw-Forming, Thread
11	99-5291	1	Rod-Cover	32	137-4821	1	Cover-Belt, Front
12	99-5293	1	Spring-Torsion	33	104-0858	1	Bolt-Shoulder
13	115-8449	1	Deflector-Side	34	3296-16	1	Nut-Lock, NI
14	115-8447	1	Chute-Discharge, Side	35	133-1973	1	Cover-Belt, Front
15	114-7960	1	Deflector-Recycle	36	131-0837	2	Screw-Shoulder, HHF
16	114-7958	1	Knob-Recycle	37	130-6660	2	Cap-Plug
17	114-7959	1	Latch-Recycle	42	125-5026	1	Decal
18	117-1031	1	Spring-Compression	46	137-4818	1	Decal-Belt Cover, Powereverse
19	32104-120	2	Screw-PPH				
20	137-9139	1	Rear Door ASM				

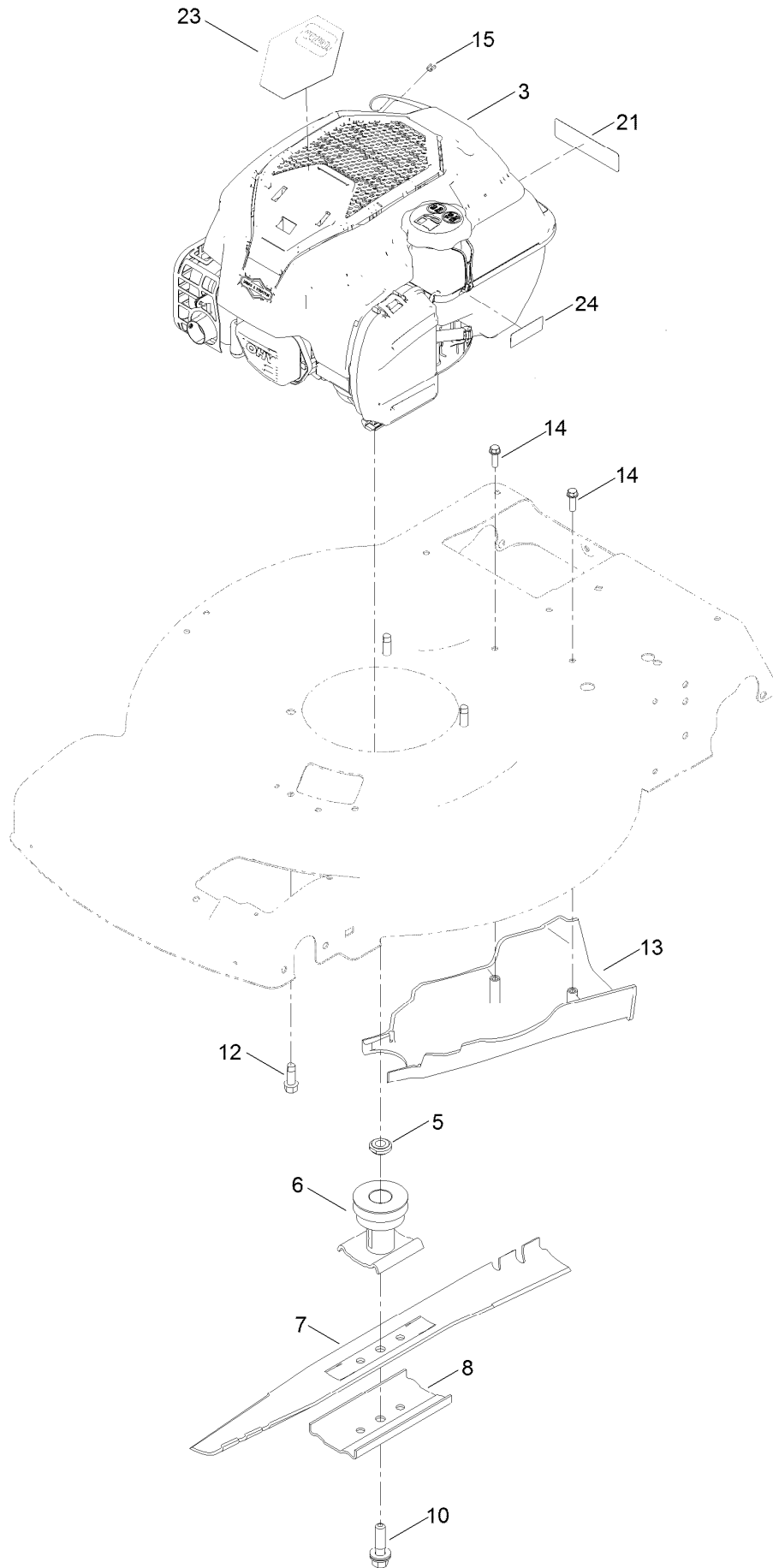
# Bag Assembly



## Bag Assembly (continued)

<i>Ref.</i>	<i>Part Number</i>	<i>Qty.</i>	<i>Description</i>
1	132-4529-03	1	Bag Frame ASM
2	114-2664	1	Grass Bag ASM

# Engine and Blade Assembly





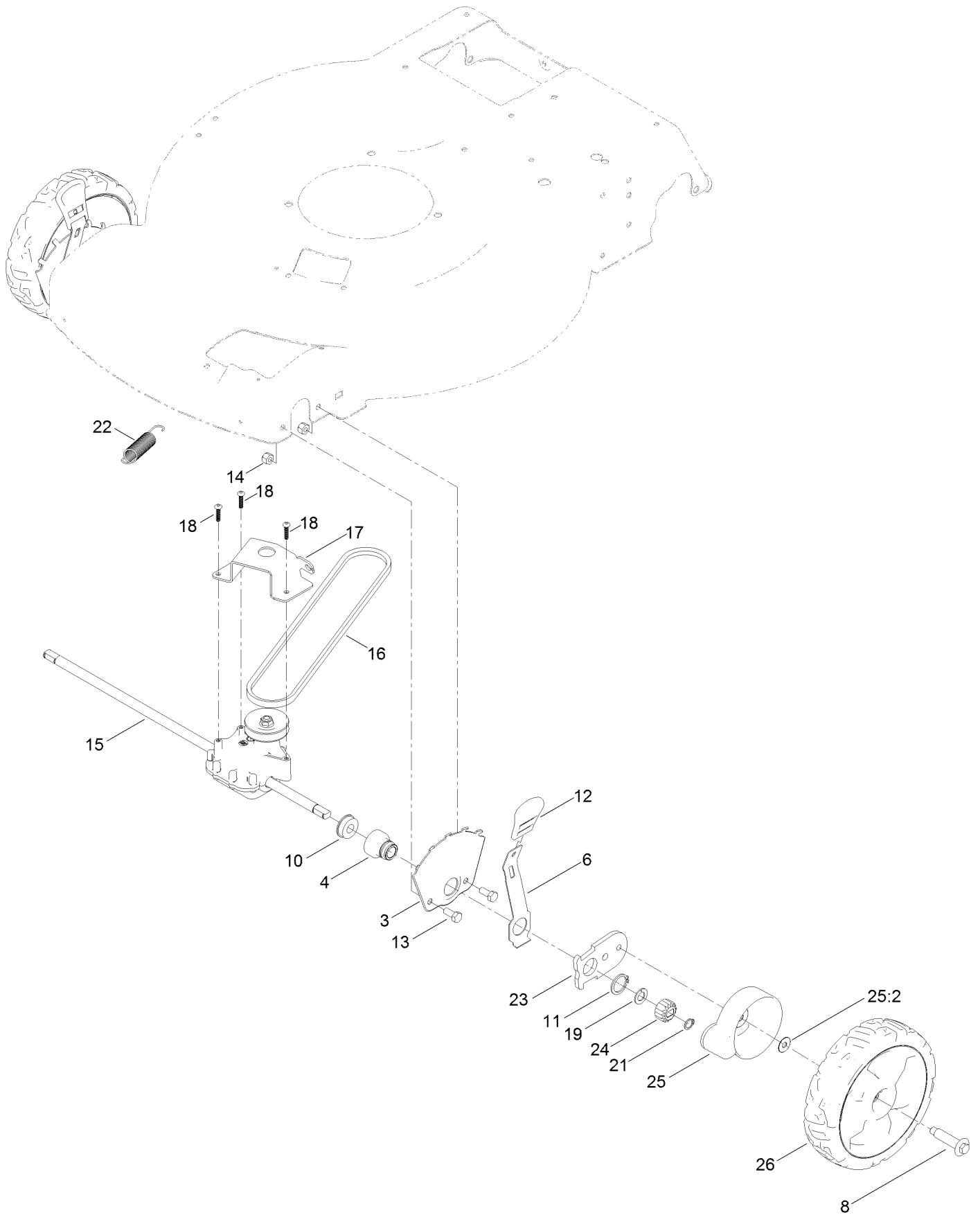
## Engine and Blade Assembly (continued)

<i>Ref.</i>	<i>Part Number</i>	<i>Qty.</i>	<i>Description</i>	<i>Ref.</i>	<i>Part Number</i>	<i>Qty.</i>	<i>Description</i>
3		1	Engine-Briggs, 104M020131F1 ●■	12	95-1726	3	Screw-Taptite
5	106-3999	1	Spacer-Driver	13	130-6709	1	Cover-Belt, Rear
6	130-6705	1	Driver-Blade	14	46-8091	2	Screw-HWH
7	131-4547-03	1	Blade-22 Inch	15	2210-316	1	Stop-Rope
8	108-3766-03	1	Support-Blade	21	133-8062	1	Decal-Arrestor, Spark
10	125-2466	1	Bolt-Blade	23	137-4816	1	Decal- B&s Shroud
				24	133-8198	1	Decal-Level, Fuel

● Not serviced separately

■ Obtain parts from [www.briggsandstratton.com](http://www.briggsandstratton.com)

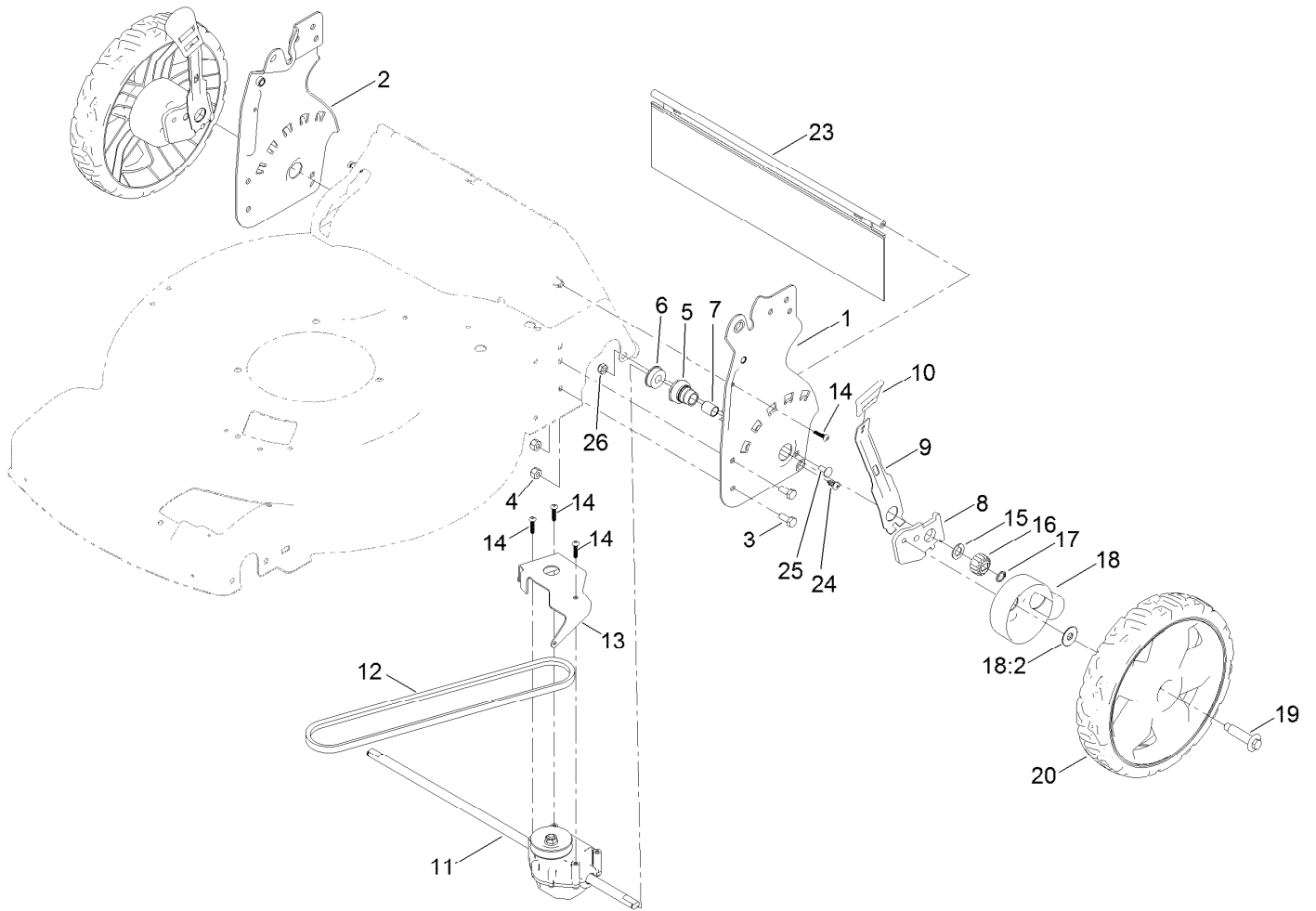
# Front Wheel and Height-of-Cut Assembly



## Front Wheel and Height-of-Cut Assembly (continued)

<i>Ref.</i>	<i>Part Number</i>	<i>Qty.</i>	<i>Description</i>	<i>Ref.</i>	<i>Part Number</i>	<i>Qty.</i>	<i>Description</i>
3	115-1956-03	2	Plate-HOC, Front	17	114-7978-03	1	Bracket-Transmission
4	131-0836	2	Retainer-Bearing, HOC	18	108-7476	3	Screw-Plastite
6	105-1809	2	Arm-Spring	19	110-7191	2	Washer-Thrust
8	614650	2	Bolt-Shoulder	21	32151-61	2	Ring-Retaining
10	104-8699	2	Bearing-Ball	22	136-7059	1	Spring-Extension
11	32151-36	2	Ring-Retaining	23	137-9184	2	Arm-Pivot, Front
12	110-0549	2	Knob-HOC	24	131-5399	2	Gear-Pinion, 15T
13	322-3	4	Screw-HH	25	136-9057	2	Gear Cover ASM
14	3296-29	4	Nut-Lock, NI	25:2	614426	1	Washer-Stepped
15	137-4823	1	Transmission	26	130-6714	2	Wheel Gear ASM (8In)
16	71-9450	1	V-Belt				

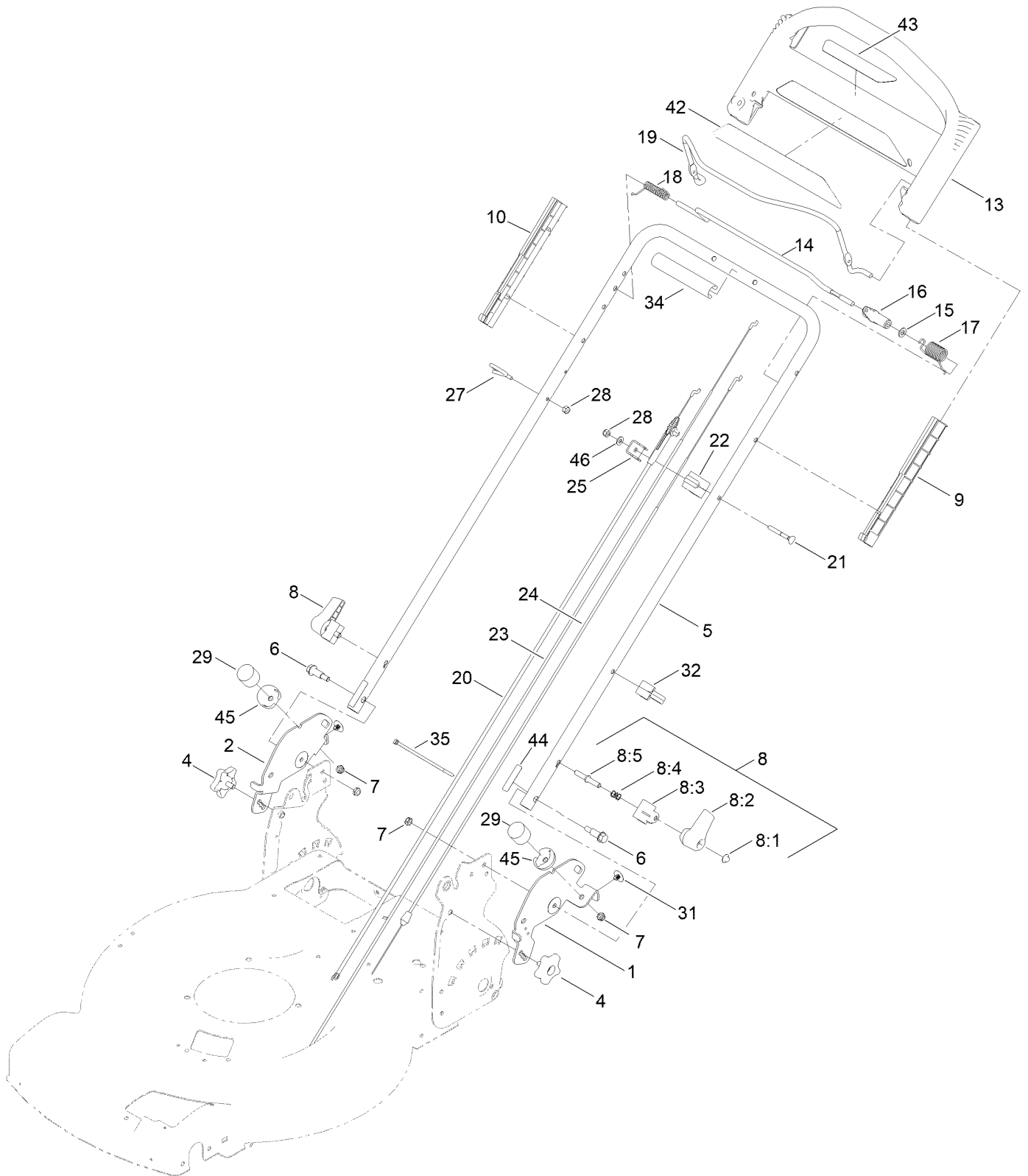
# Rear Wheel and Height-of-Cut Assembly



## Rear Wheel and Height-of-Cut Assembly (continued)

<i>Ref.</i>	<i>Part Number</i>	<i>Qty.</i>	<i>Description</i>	<i>Ref.</i>	<i>Part Number</i>	<i>Qty.</i>	<i>Description</i>
1	137-9104	1	HOC Plate ASM (LH)	14	108-7476	5	Screw-Plastite
2	137-9103	1	HOC Plate ASM (RH)	15	110-7191	2	Washer-Thrust
3	322-3	4	Screw-HH	16	131-5399	2	Gear-Pinion, 15T
4	3296-29	4	Nut-Lock, NI	17	32151-61	2	Ring-Retaining
5	108-9779	2	Retainer-Bushing, HOC	18	136-9057	2	Gear Cover ASM
6	104-8699	2	Bearing-Ball	18:2	614426	1	Washer-Stepped
7	108-9782	2	Bushing-Sleeve	19	614650	2	Bolt-Shoulder
8	136-9090	2	Arm-Pivot, Rear	20	136-5859	2	Wheel Gear ASM
9	132-4486	2	Arm-Spring	23	120-7012	1	Shield-Trailing
10	110-0549	2	Knob-HOC	24	117-1092	2	Screw-PTH
11	137-4825	1	Transmission-Rwd (6:1)	25	100-1445	2	Bolt-CARR
12	91-2258	1	Belt-V	26	3296-16	2	Nut-Lock, NI
13	132-4481-01	1	Bracket-Transmission				

# Handle Assembly



## Handle Assembly (continued)

<i>Ref.</i>	<i>Part Number</i>	<i>Qty.</i>	<i>Description</i>	<i>Ref.</i>	<i>Part Number</i>	<i>Qty.</i>	<i>Description</i>
1	137-4839-03	1	Bracket-Float, LH	19	131-0880-03	1	Bail-Brake
2	137-4838-03	1	Bracket-Float, RH	20	115-8437	1	Cable-Brake
4	137-4844	2	Knob-Handle	21	92-2269	1	Screw-Handle
5	137-4793-05	1	Handle-Upper	22	130-6716	1	Mount-Cable, Traction
6	130-2344	2	Bolt-Shoulder	23	137-4814	1	Cable-Traction, Front
7	3296-47	4	Nut-Lock, NI	24	137-4815	1	Cable-Traction, Rear
8	138-3249	2	Quick Release ASM	25	136-5922	1	Clamp-Cable
8:1	32112-11	1	Nut-Push	27	86-9671	1	Guide-Rope
8:2	138-3248	1	Lever-Release	28	3296-73	2	Nut-Lock, NI
8:3	138-3253	1	Anchor-Spring	29	137-4803	2	Bumper-Rubber
8:4	115-2858	1	Spring-Compression	31	130-6721	2	Clip-Tree
8:5	138-3243	1	Rod-Release	32	114-7988	1	Guide-Cable
9	136-5879	1	Guide-LH	34	131-4551	1	Cover-Handle
10	136-5880	1	Guide-RH	35	614249	1	Tie-Cable
13	136-5877	1	Handle-Pace, Personal	42	136-5898	1	Decal-Powereverse
14	136-7150	1	Bar-Control, Traction	43	136-5899	1	Decal-Instruction, Drive
15	3256-23	1	Washer-Plain	44	140-3827	2	Decal-Flex
16	136-5878	1	Lever-Traction	45	137-9100	2	Cover-Bumper
17	136-5883	1	Spring-Torsion	46	3256-1	1	Washer-Flat
18	136-7166	1	Spring-Torsion				

# Attachments and Accessories

## For 20355 22in Recycler Lawn Mower with SmartStow

<b>Product Name</b>	<b>Model/Part</b>
22 Inch Atomic Blade .....	59534P
AWD Replacement Bag and Frame Kit .....	131-4556
Lawn Striping Kit with 22in Roller.....	20601
Traction Assist Handle Kit.....	131-4590
Briggs Maint Kit.....	130-8148
Bag-Walk Behind (Toro).....	490-7318
Summer Oil-Case of 24 (20oz Bottles).....	38916
4-Cycle Fuel, Snow And Lawn 32oz Can .....	131-3823
Fuel Stabilizer .05 oz .....	130-2393
Toro Premium Fuel Treatment 12 Oz Bottle .....	131-6572
Toro 4-Cycle SAE 30 Oil (32oz Bottle) .....	38903
Oil-30/10W-30 Synthetic (Quart).....	138-6053



**Notes:**

**Notes:**

**Notes:**



**Count on it.**