



Count on it.

Parts Catalog

**E-Z Vac™ Complete Twin Bagger
TITAN® Zero-Turn-Radius Riding Mower**

Model No. 79346—Serial No. 406500000 and Up



Ordering Replacement Parts

To order replacement parts, please supply the part number, the quantity, and the description of each part desired.

Understanding Reference Numbers

Each identified part in an illustration has a reference number. The reference number for a part also appears in the parts list, along with other information about the part.

This catalog uses two special reference number formats, one to indicate parts in a service assembly and another to indicate the quantity of a given part in an illustration.

Service Assembly Reference Numbers

Parts in service assemblies have reference numbers in the form a:b. The a represents the reference number of the entire service assembly and the b represents a sequential number unique to each part within the service assembly.

For example, a wheel assembly might be identified by reference number 6, the tire by 6:1, the valve by 6:2, and the wheel by 6:3. When you order the assembly identified by reference number 6, you receive all parts identified by reference numbers 6:1, 6:2, and 6:3. However, you may also order any part individually. Reference numbers of this type appear in illustration and in parts lists.

Reference Numbers Indicating Quantity

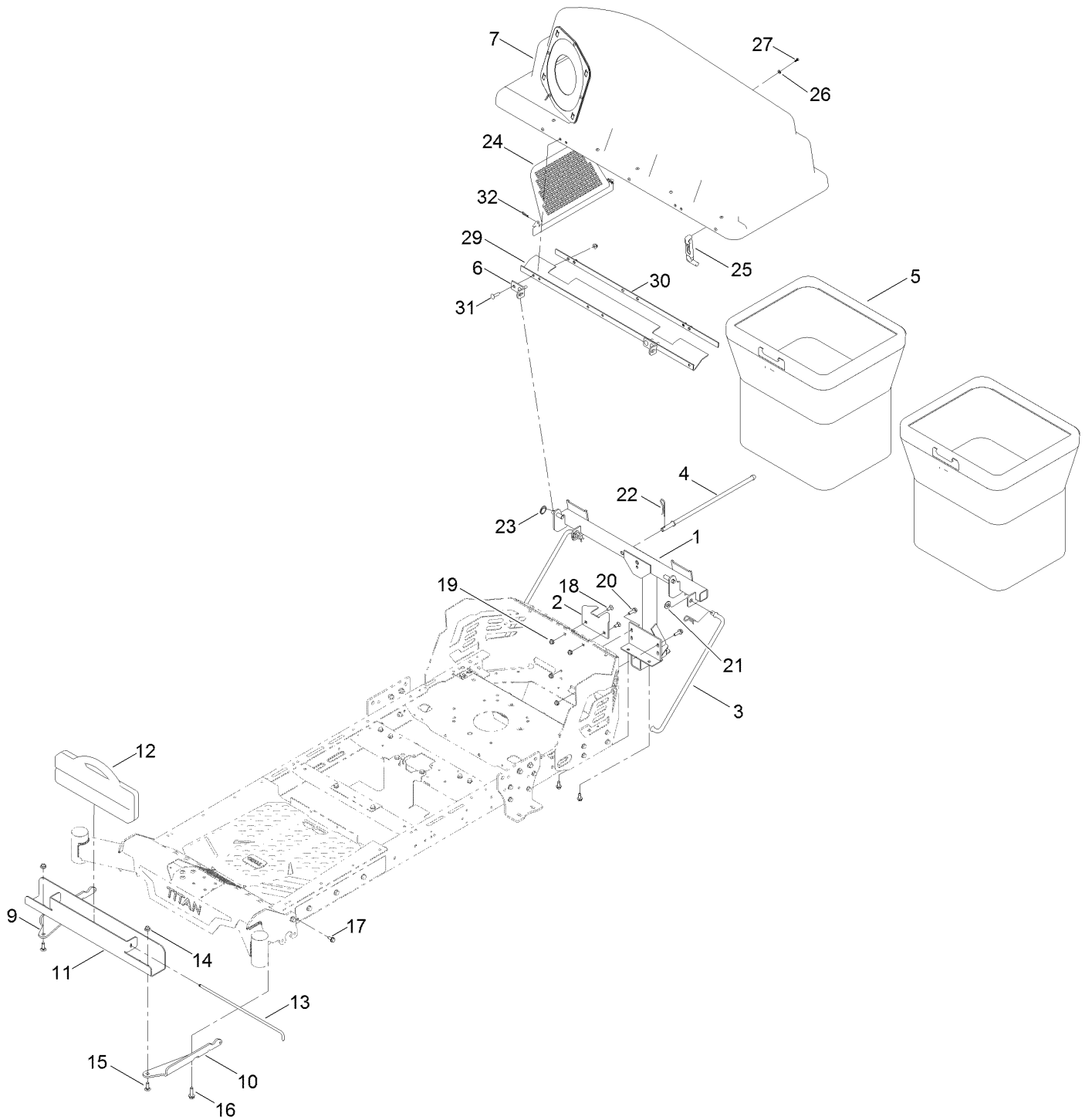
In an illustration, if a reference number indicates more than one part, the reference number has the form nX y. The n represents the quantity of the part, the X is the multiplication symbol, and the y represents the reference number.

For example, in an illustration, the reference number 2X 37 means that two of the parts identified by reference number 37 are indicated.

Contents

Bagger and Weight Assembly	4
Bag Assembly No. 112-3994	6
Bagger Hood Assembly No. 140-5031	8
Blower and Tube Assembly	10
Blower Assembly No. 140-5032	12

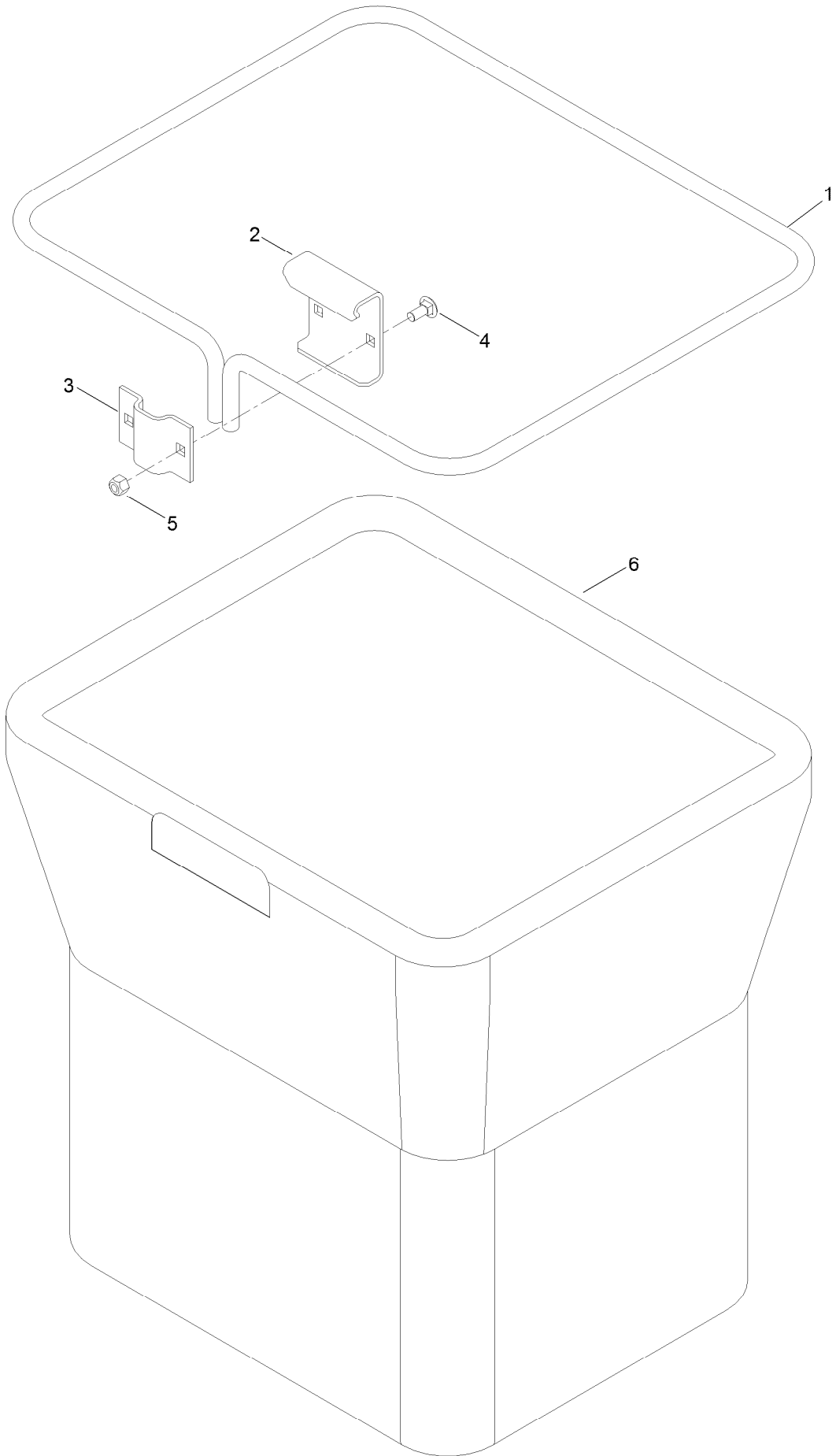
Bagger and Weight Assembly



Bagger and Weight Assembly (continued)

<i>Ref.</i>	<i>Part Number</i>	<i>Qty.</i>	<i>Description</i>	<i>Ref.</i>	<i>Part Number</i>	<i>Qty.</i>	<i>Description</i>
1	136-4231-03	1	Frame-Pivot	17	32144-70	4	Screw-HWHTF
2	140-2086-03	1	Support-Upper	18	139-2630	2	Bolt-CARR
3	140-0444	2	Rod-Support	19	119-4041	8	Nut-HF
4	131-4189	1	Rod-Hood, Down	20	139-2596	2	Screw-HHF
5	112-3994	2	Bag ASM	21	139-2611	2	Washer-Flat
6	140-5016	2	Bracket-Hopper Pivot	22	139-2562	3	Pin-Hair
7	140-5031	1	Bagger Hood ASM	23	120-7127	1	Pin-Cotter, Circular
9	136-7461-03	1	Bracket-Weight, RH	24	112-3993	1	Screen-Bagger
10	136-7462-03	1	Bracket-Weight, LH	25	116-4992	1	Latch-Rubber
11	120-5491-03	1	Channel-Weight, Bagger	26	137-3073	2	Washer-Plain
12	109-9742-05	1	Weight-35 Pound	27	137-9137	2	Screw-PPH
13	109-9759	1	Pin-Weight	29	116-4126	1	Seal
14	119-4042	4	Nut-HF, NI	30	116-4127-03	1	Plate-Backing
15	137-3064	2	Bolt-CARR	31	139-1702	4	Bolt-Carriage
16	119-4061	2	Screw-HHF	32	137-3083	2	Pin-Hair

Bag Assembly No. 112-3994

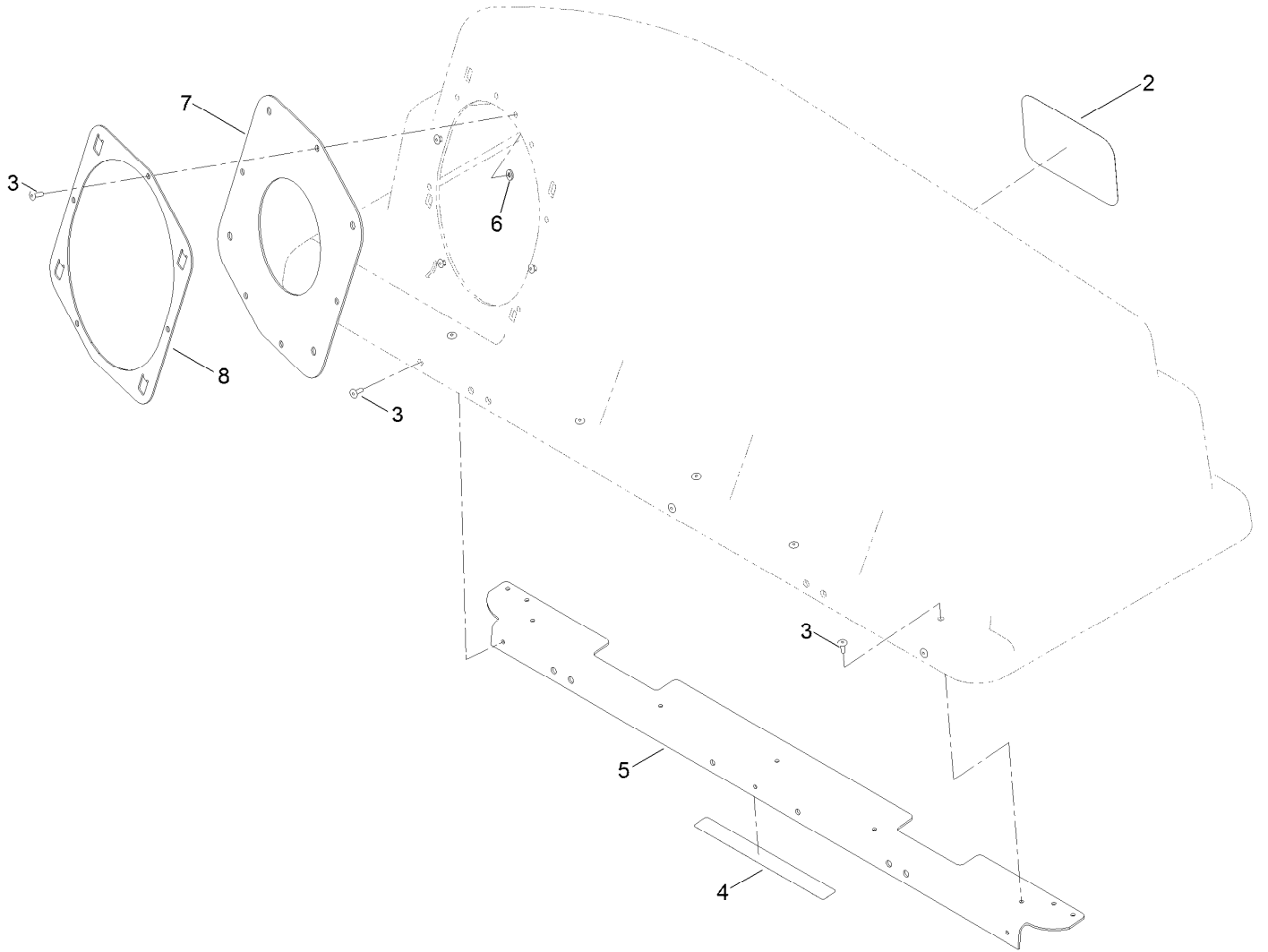


Bag Assembly No. 112-3994 (continued)

<i>Ref.</i>	<i>Part Number</i>	<i>Qty.</i>	<i>Description</i>
1	114972-03	1	Frame-Bag
2	114973-03	1	Hanger-Bag
3	114974-03	1	Clamp

<i>Ref.</i>	<i>Part Number</i>	<i>Qty.</i>	<i>Description</i>
4	3230-1	2	Bolt-CARR
5	3296-29	2	Nut-Lock, NI
6	110-6674	1	Bag

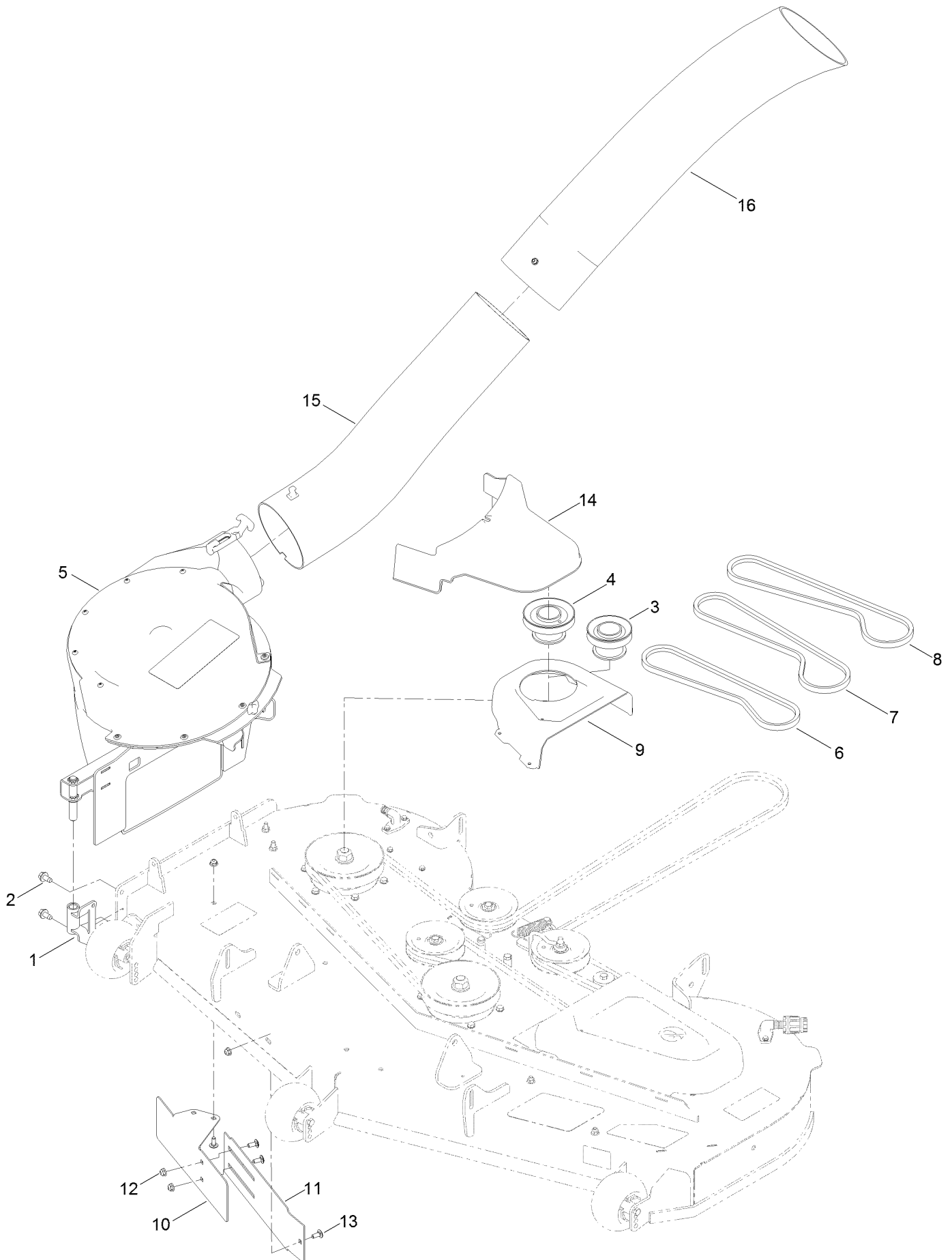
Bagger Hood Assembly No. 140-5031



Bagger Hood Assembly No. 140-5031 (continued)

<i>Ref.</i>	<i>Part Number</i>	<i>Qty.</i>	<i>Description</i>	<i>Ref.</i>	<i>Part Number</i>	<i>Qty.</i>	<i>Description</i>
2	99-4693	1	Decal	6	137-3073	4	Washer-Plain
3	114439	12	Rivet-Blind	7	116-4478	1	Gasket
4	109-6809	1	Decal-Caution, Bagger	8	112-4000-03	1	Ring-Retainer
5	116-5071-03	1	Stiffener-Bagger, Top				

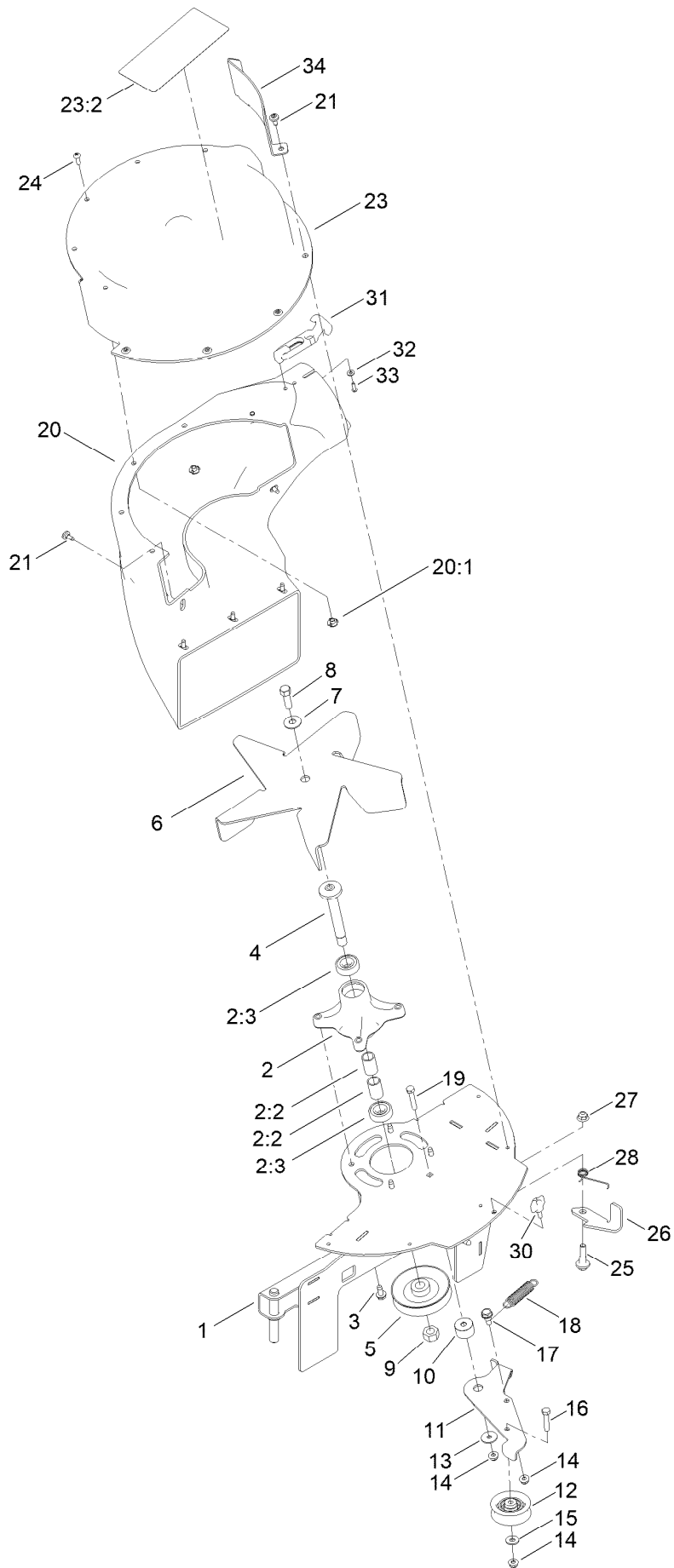
Blower and Tube Assembly



Blower and Tube Assembly (continued)

<i>Ref.</i>	<i>Part Number</i>	<i>Qty.</i>	<i>Description</i>	<i>Ref.</i>	<i>Part Number</i>	<i>Qty.</i>	<i>Description</i>
1	136-4152	1	Pivot-Blower	9	136-4151	1	Cover-Belt, RH
2	110-9380	2	Screw-HWH	10	133-7022-03	1	Baffle-Outer
3	125-0085	1	Pulley-Bagger	11	133-7021-03	1	Baffle-Inner
4	125-0086	1	Pulley-Bagger	12	119-4041	4	Nut-HF
5	140-5032	1	Blower ASM - Powered Bagger	13	137-3061	4	Bolt-CARR
6	127-0074	1	Belt-V	14	136-4172	1	Cover-Bagger, Powered
7	127-0075	1	Belt-V	15	140-5030	1	Tube ASM-Lower
8	127-0076	1	Belt-V	16	140-5029	1	Tube ASM-Upper

Blower Assembly No. 140-5032



Blower Assembly No. 140-5032 (continued)

<i>Ref.</i>	<i>Part Number</i>	<i>Qty.</i>	<i>Description</i>	<i>Ref.</i>	<i>Part Number</i>	<i>Qty.</i>	<i>Description</i>
1	133-9287-03	1	Frame-Blower	17	140-5020	1	Bolt Shoulder
2	121-0751	1	Spindle ASM	18	137-7040	1	Spring-Return, Pedal
2:2	120-7935	2	Spacer	19	139-1719	1	Screw-HH
2:3	136-5441	2	Bearing-Ball	20	137-5004	1	Blower Chute ASM
3	32144-70	4	Screw-HWHTF	20:1	136-7514	1	Chute-Blower
4	137-7009	1	Shaft-Spindle	21	120-7950	10	Screw-Torx
5	133-4492	1	Pulley-Blower	23	137-5003	1	Blower Cover ASM
6	133-4336	1	Fan-Blower	23:2	136-4164	1	Decal-Danger
7	3290-465	1	Washer-Belleville	24	3258-166	5	Screw-PRH
8	108-8823	1	Screw-HH	25	139-2560	1	Bolt-Shoulder
9	3219-16	1	Nut-Hex	26	133-7058	1	Latch-Blower
10	140-5015	1	Spacer-Idler Arm	27	119-4042	1	Nut-HF, NI
11	140-5019	1	Idler Arm, Blower	28	133-7048	1	Spring-Torsion
12	138-7597	1	Pulley-Idler, Flat	30	98-8332	1	Knob
13	5-4460	1	Washer-Pivot	31	103-4080	2	Latch-Rubber
14	119-4041	3	Nut-HF	32	137-3073	4	Washer-Plain
15	139-1723	1	Washer-Flat	33	3274-39	4	Screw-HSBH
16	120-2779	1	Screw-HH	34	136-9213-03	1	Guard-Blower

Notes:

Notes:



Count on it.