



**Remote Lock and Lift Kit**  
**Groundsmaster® 3000D Attachment**  
Model No. 30727-90001 & Up

**Parts Catalog**

**Ordering Replacement Parts**

To order replacement parts, please supply: the part number, the quantity, and the description of each part desired.

**Understanding Reference Numbers**

Each identified part in an illustration has a reference number. The reference number for a part also appears in the parts list, along with other information about the part.

This catalog uses two special reference number formats, one to indicate parts in a service assembly and another to indicate the quantity of a given part in an illustration.

**Service Assembly Reference Numbers**

Parts in service assemblies have reference numbers in the form **a:b**. The **a** represents the reference number of the entire service assembly and the **b** represents a sequential number unique to each part within the service assembly.

For example, a wheel assembly might be identified by reference number **6**, the tire by **6:1**, the valve by **6:2**, and the wheel by **6:3**. When you order the assembly identified by reference number 6, you receive all parts identified by reference numbers 6:1, 6:2, and 6:3. However, you may also order any part individually.

Reference numbers of this type appear in illustrations and in part lists.

**Reference Numbers Indicating Quantity**

In an illustration, if a reference number indicates more than one part, the reference number has the form **nX y**. The **n** represents the quantity of the part, the **X** is the multiplication symbol, and the **y** represents the reference number.

For example, in an illustration, the reference number **2X 37** means that two of the parts identified by reference number 37 are indicated.

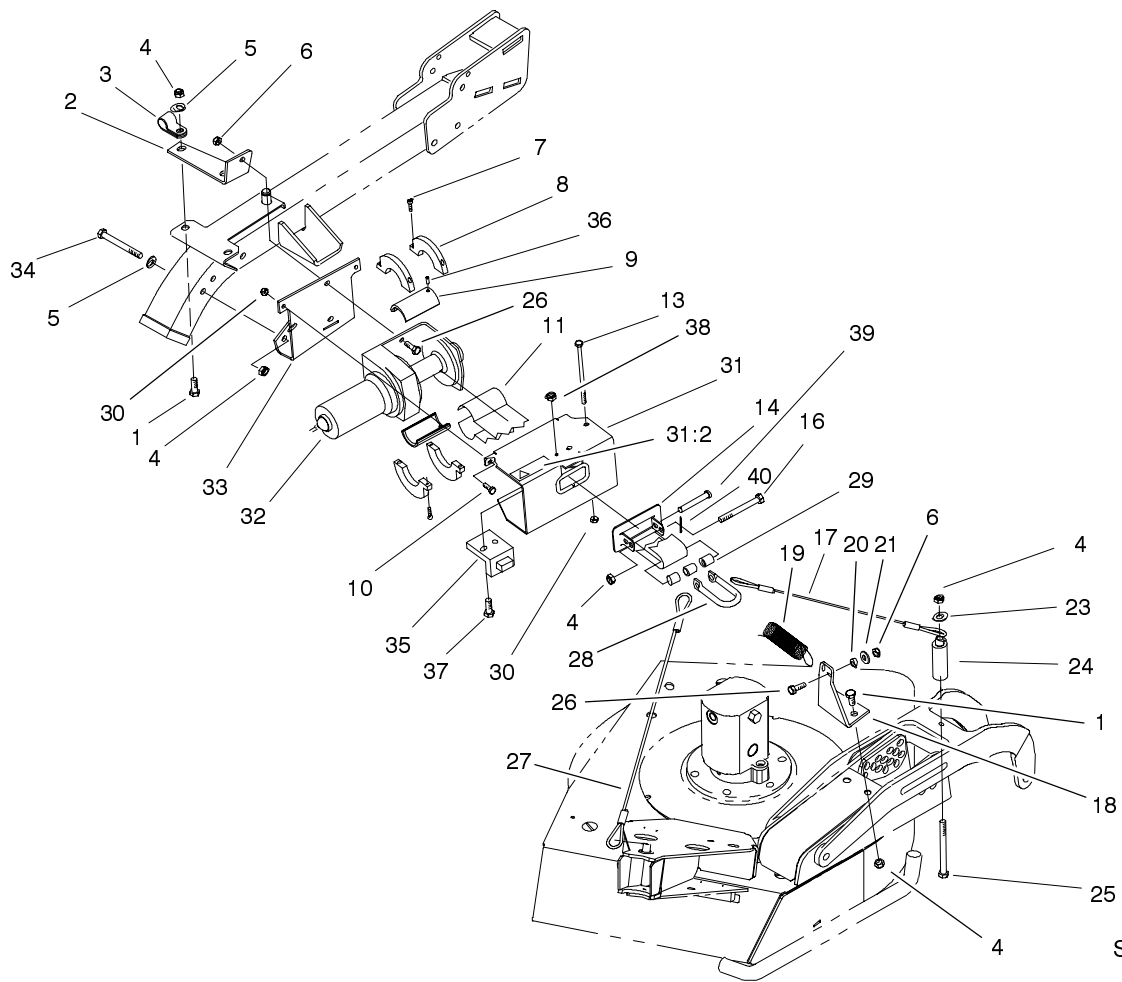
## Contents

Description	Page	Description	Page
LH Lock and Lift Assembly .....	3	Electrical, Cover, and Switch Assembly .....	5
RH Lock and Lift Assembly .....	4	Electrical Schematic .....	6

## Part Description Abbreviations

Part descriptions in this catalog may include the following abbreviations.

Abbreviation	Meaning	Abbreviation	Meaning
AR .....	as required	INC .....	incorporated
ASM .....	assembly	LH .....	left hand
CARR .....	carriage	NI .....	nylon insert
DEG .....	degrees	PPH .....	Phillips pan head
FH .....	flat head	PTH .....	Phillips truss head
GA .....	gauge	PTO .....	power take off
HF .....	hex flange	RH .....	right hand
HH .....	hex head	SFH .....	slotted fillister head
HHF .....	hex head flange	SHH .....	slotted hex head
HLH .....	hex lag head	SQH .....	square head
HJ .....	hex jam	SHWH .....	slotted hex washer head
HOC .....	height-of-cut	SPH .....	slotted pan head
HS .....	hex socket	SRH .....	slotted round head
HSBH .....	hex socket button head	STD .....	standard
HSFH .....	hex socket flat head	TAP .....	self tapping
HSH .....	hex socket head	TTH .....	Torx truss head
HWH .....	hex washer head	WH .....	wing head
HWHTF .....	hex washer head thread forming		

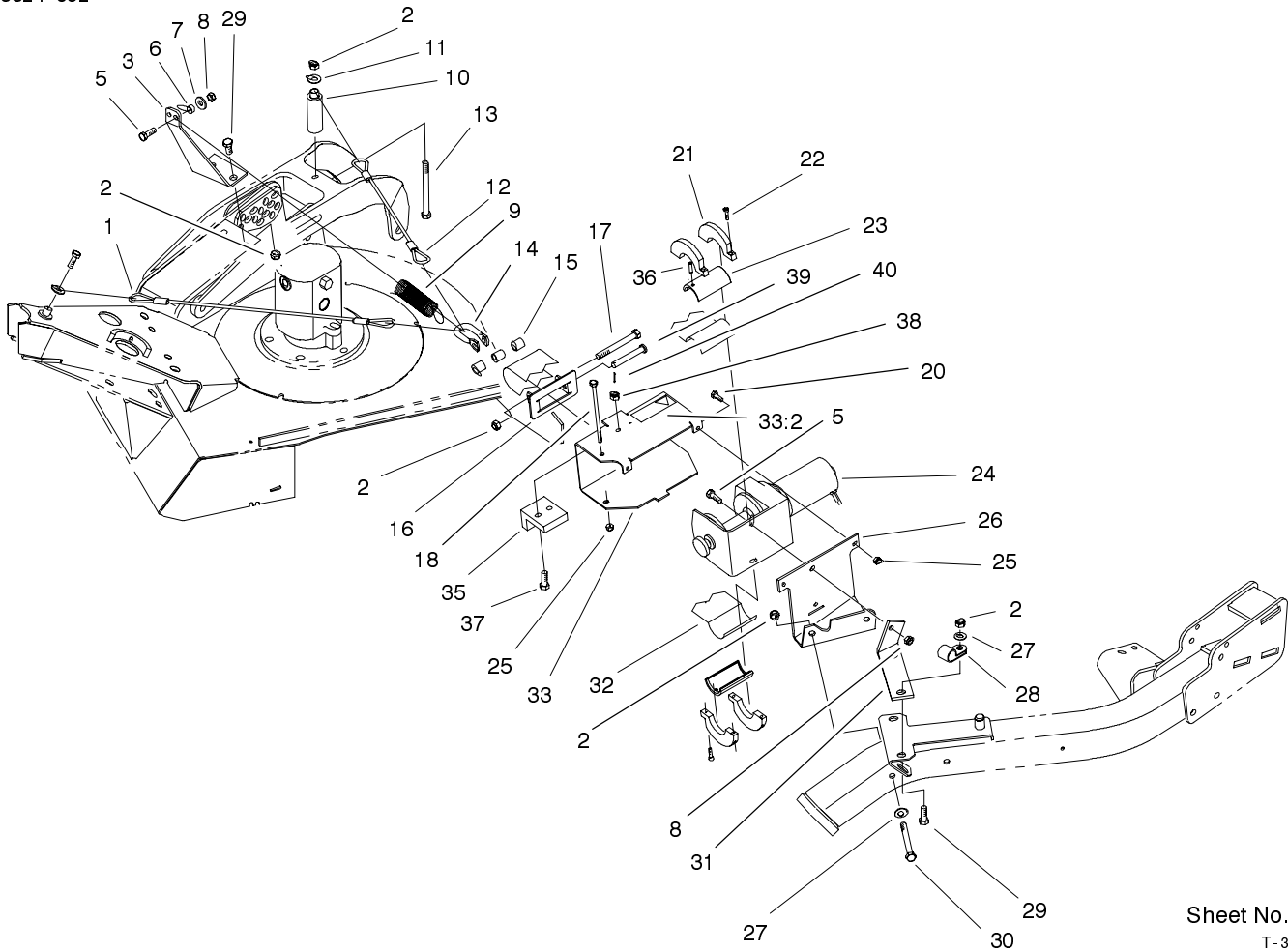


Sheet No.: 2

T-3239

## LH Lock and Lift Assembly

Ref. No.	Part No.	Qty.	Description	Ref. No.	Part No.	Qty.	Description
1	323-6	4	Screw-HH	30	3296-42	3	Nut-Lock NI
2	99-5754-03	1	Bracket-Support, LH	31	100-1542	1	Cover W/ Decal
3	2412-81	1	Clamp	31:2	93-6674	1	Decal - Warning
4	3296-39	8	Nut-Lock, NI	32	100-3900	1	Winch ASM
5	3256-24	5	Washer-Flat	33	98-5189-03	1	Mount-Winch, LH
6	3296-29	3	Nut-Lock	34	323-15	2	Screw-HH
7	3274-14	4	Screw-HSH	35	94-9105	1	Switch & Roller Bracket ASM
8	100-1550	4	Collar - Lock	36	3245-31	1	Screw-HS
9	100-1551	2	Spool-Half	37	32144-1	2	Screw-Taptite
10	321-5	2	Screw-HH	38	3296-2	2	Nut-Lock
11	100-1546	1	Strap-Winch	39	283-52	1	Pin-Clevis
13	321-36	1	Screw-HH	40	3272-4	1	Pin-Cotter
14	100-3397-03	1	Plate - Stop, Switch				
16	323-15	1	Screw-HH				
17	100-3905	1	Cable-Lift, LH Rear				
18	100-1545-03	1	Bracket-Spring				
19	88-6460	1	Spring - Extension				
20	92-6290	1	Spacer				
21	3256-3	1	Washer-Flat				
23	3256-4	1	Washer-Flat				
24	99-5768	1	Spacer - Cable, Rear				
25	323-17	1	Screw-HH				
26	322-5	3	Screw-HH				
27	100-3904	1	Cable - Lift, LH Front				
28	5-2942	1	Shackle				
29	100-1548	3	Spacer				



Sheet No.: 3  
T-3240

## RH Lock and Lift Assembly

Ref. No.	Part No.	Qty.	Description
1	100-3906	1	Cable - Lift, RH Front
2	3296-39	8	Nut-Lock, NI
3	100-1545-03	1	Bracket-Spring
5	322-5	3	Screw-HH
6	92-6290	1	Spacer
7	3256-3	1	Washer-Flat
8	3296-29	3	Nut-Lock
9	88-6460	1	Spring - Extension
10	99-5768	1	Spacer - Cable, Rear
11	3256-4	1	Washer-Flat
12	100-3907	1	Cable - Lift, RH Rear
13	323-17	1	Screw-HH
14	5-2942	1	Shackle
15	100-1548	3	Spacer
16	100-3397-03	1	Plate - Stop, Switch
17	323-15	1	Screw-HH
18	321-36	1	Screw-HH
20	321-5	2	Screw-HH
21	100-1550	4	Collar - Lock
22	3274-14	4	Screw-HSH
23	100-1551	2	Spool-Half
24	100-3900	1	Winch ASM
25	3296-42	3	Nut-Lock NI
26	98-5193-03	1	Mount-Winch, RH
27	3256-24	5	Washer-Flat
28	2412-81	1	Clamp

Ref. No.	Part No.	Qty.	Description
29	323-6	4	Screw-HH
30	323-15	2	Screw-HH
31	99-5752-03	1	Bracket-Support, RH
32	100-1546	1	Strap-Winch
33	100-1542	1	Cover W/ Decal
33:2	93-6674	1	Decal - Warning
35	94-9105	1	Switch & Roller Bracket ASM
36	3245-31	1	Screw-HS
37	32144-1	2	Screw-Taptite
38	3296-2	2	Nut-Lock
39	283-52	1	Pin-Clevis
40	3272-4	1	Pin-Cotter



# Electrical Schematic

