



Count on it.

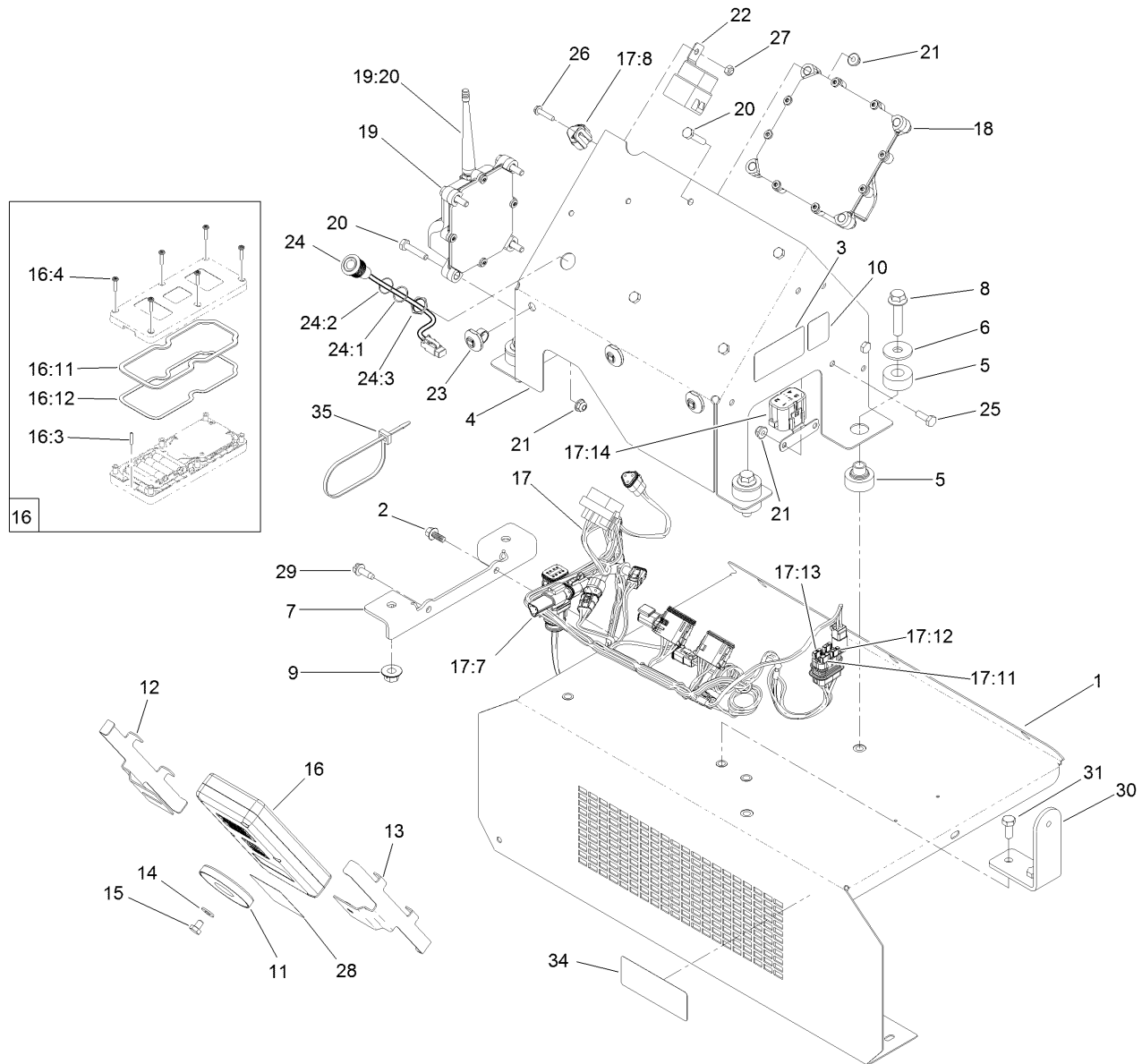
Parts Catalog

Controller Kit

**ProPass 200 Top Dresser with Twin Spinner
and Wireless Control**

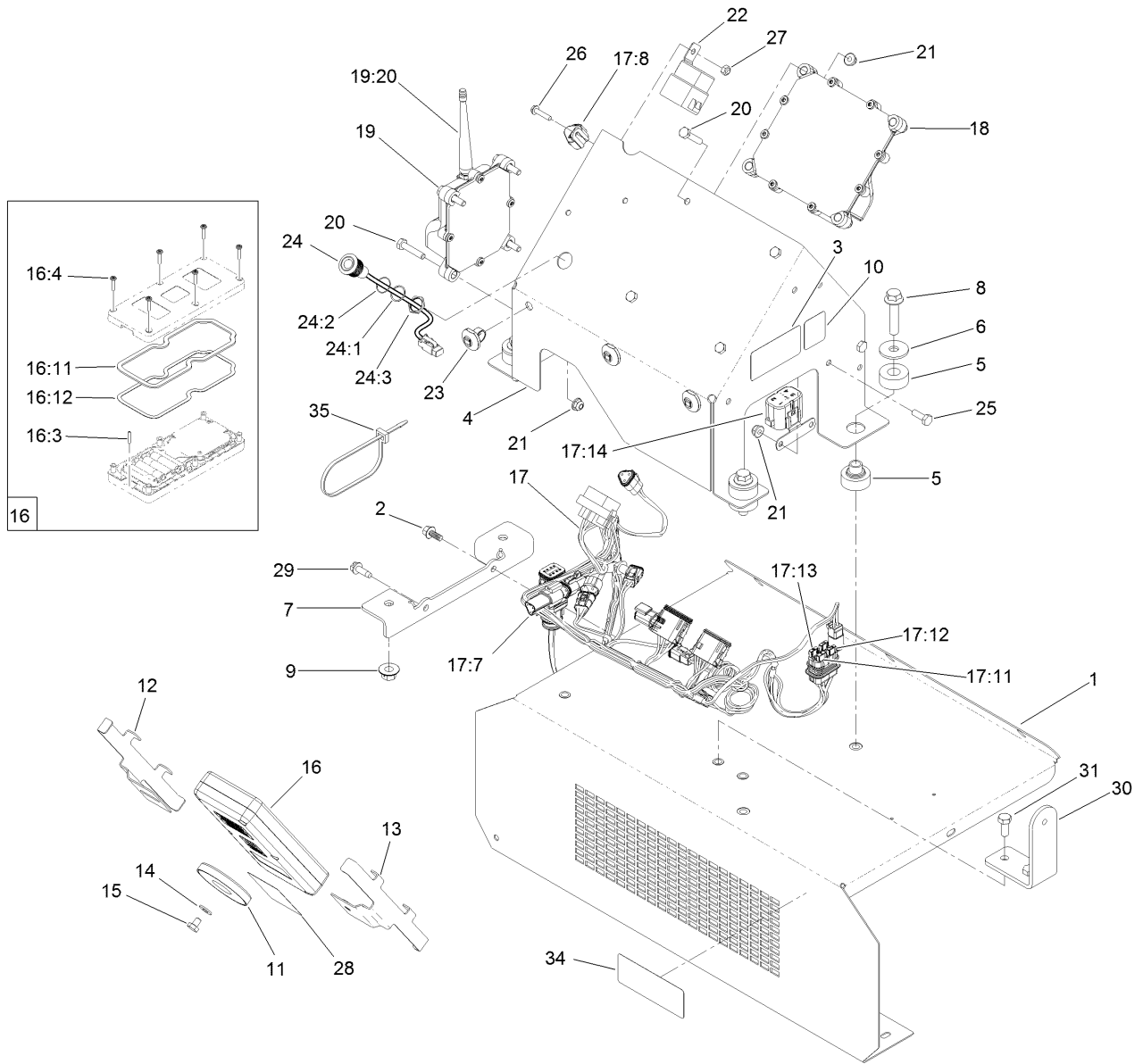
Model No. 131-4834





Controller Assembly No. 131-4834

Ref.	Part Number	Qty.	Description	Ref.	Part Number	Qty.	Description
1	130-8585-01	1	Guard-Rinse	17:7	32180-043	2	Resistor-120 Ohm
2	99-6810	1	Screw-HHF	17:8	32180-089	1	Cap-Plug, 3 Way
3	119-6815	1	Decal-Tighten Bolts	17:11	121-8861	1	Fuse-Mini Blade, 2 Amp
4	130-8582-01	1	Guard-Control, HYD	17:12	121-8865	2	Fuse-Mini Blade, 7.5 Amp
5	121-2870	4	Mount-2 Piece	17:13	121-8867	1	Fuse-Mini Blade, 15 Amp
6	93-8806	4	Washer-Hardened	17:14	32180-179	1	Cover-Bussman
7	130-8583-01	1	Bracket-Isolation Mount	18	125-1360	1	Controller
8	3234-19	4	Screw-HHF	19	132-9600	1	Controller
9	32128-19	2	Nut-HF	19:20	140-6605	1	Antenna Service Kit
10	131-6766	1	Decal-Fuses	20	321-8	8	Screw-HH
11	T0002-8729	1	Magnet-Ceramic, Encased	21	104-7201	10	Nut-HF
12	125-5962-03	1	Sleeve-Half	22	99-7430	1	Relay-Mini
13	125-5960-03	1	Sleeve-Half	23	32180-149	3	Tie-Button Head
14	3256-22	1	Washer-Flat	24	122-0630	1	Red LED Indicator Lamp ASM
15	321-1	1	Screw-HH	24:1	122-0634	1	Gasket-LED
16	125-1330	1	Remote ASM	24:2	122-0633	1	Washer-Locking
16:3	121-2818	1	Pin-Lanyard	24:3	122-0632	1	Nut-Fixing
16:4	119-6414	6	Screw-PPH	25	321-4	2	Screw-HH
16:11	125-1225	1	Backer-Gasket, HH (Large)	26	106-9169	1	Screw-HWH
16:12	125-1226	1	Gasket-HH (Large)	27	3296-2	1	Nut-Lock, NI
17	122-0336	1	Harness-Wire				



Controller Assembly No. 131-4834 (continued)

Ref.	Part Number	Qty.	Description
28	119-6819	1	Decal-Control, Wireless
29	32104-95	1	Screw-HWH
30	130-8584	1	Bracket-Knob

Ref.	Part Number	Qty.	Description
31	322-3	2	Screw-HH
34	119-6809	1	Decal-Clean Out
35	3290-378	2	Tie-Cable



Count on it.