



**Count on it.**

**Parts Catalog**

**TRX-300 Trencher**

Model No. 22984—Serial No. 40000000 and Up



# Ordering Replacement Parts

To order replacement parts, please supply the part number, the quantity, and the description of each part desired.

## **Understanding Reference Numbers**

Each identified part in an illustration has a reference number. The reference number for a part also appears in the parts list, along with other information about the part.

This catalog uses two special reference number formats, one to indicate parts in a service assembly and another to indicate the quantity of a given part in an illustration.

## **Service Assembly Reference Numbers**

Parts in service assemblies have reference numbers in the form a:b. The a represents the reference number of the entire service assembly and the b represents a sequential number unique to each part within the service assembly.

For example, a wheel assembly might be identified by reference number 6, the tire by 6:1, the valve by 6:2, and the wheel by 6:3. When you order the assembly identified by reference number 6, you receive all parts identified by reference numbers 6:1, 6:2, and 6:3. However, you may also order any part individually. Reference numbers of this type appear in illustration and in parts lists.

## **Reference Numbers Indicating Quantity**

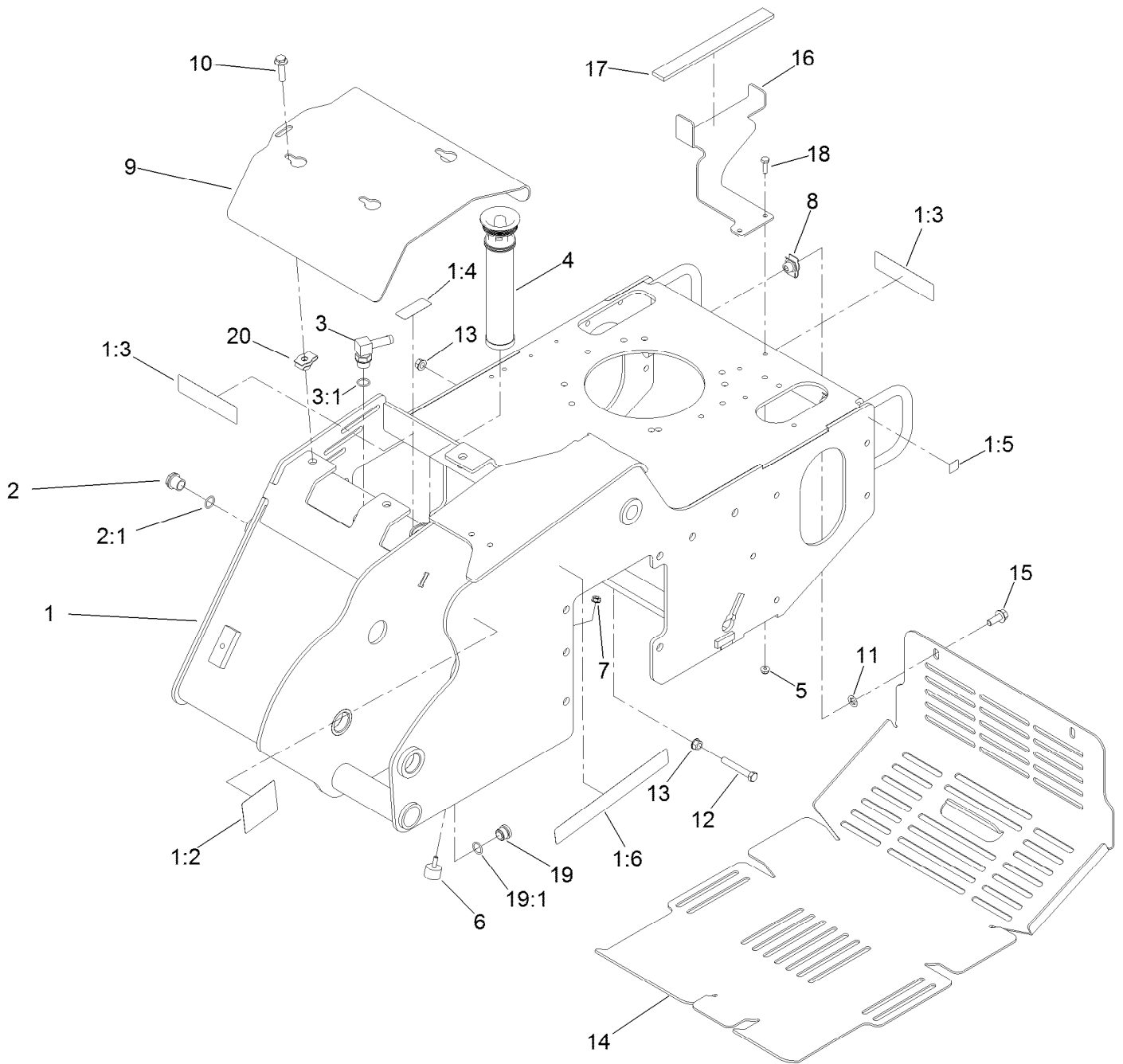
In an illustration, if a reference number indicates more than one part, the reference number has the form nX y. The n represents the quantity of the part, the X is the multiplication symbol, and the y represents the reference number.

For example, in an illustration, the reference number 2X 37 means that two of the parts identified by reference number 37 are indicated.

# Contents

|   |    |
|---|----|
| Frame Assembly.....                               | 4  |
| Control Tower and Fuel Tank Assembly.....         | 6  |
| Drive Assembly.....                               | 8  |
| Brake Linkage Assembly.....                       | 10 |
| Engine, Muffler and Air Cleaner Assembly.....     | 12 |
| Hydraulic Assembly.....                           | 14 |
| Valve Assembly No. 137-7646.....                  | 16 |
| Valve Inlet Section Assembly No. 139-1337.....    | 18 |
| Valve Inlet Section Assembly No. 139-1338.....    | 20 |
| Series Valve Section Assembly No. 139-1339.....   | 22 |
| Parallel Valve Section Assembly No. 139-1344..... | 24 |
| Series Valve Section Assembly No. 139-1345.....   | 26 |
| Parallel Valve Section Assembly No. 139-1346..... | 28 |
| Outlet Section Assembly No. 139-1347.....         | 30 |
| Oil Cooler Assembly.....                          | 32 |
| Trencher Head and Lift Assembly.....              | 34 |
| Hydraulic Cylinder Assembly No. 137-3827.....     | 36 |
| Control Assembly.....                             | 38 |
| Electrical Assembly.....                          | 40 |
| Wire Harness Assembly No. 137-7624.....           | 42 |
| Attachments and Accessories.....                  | 44 |

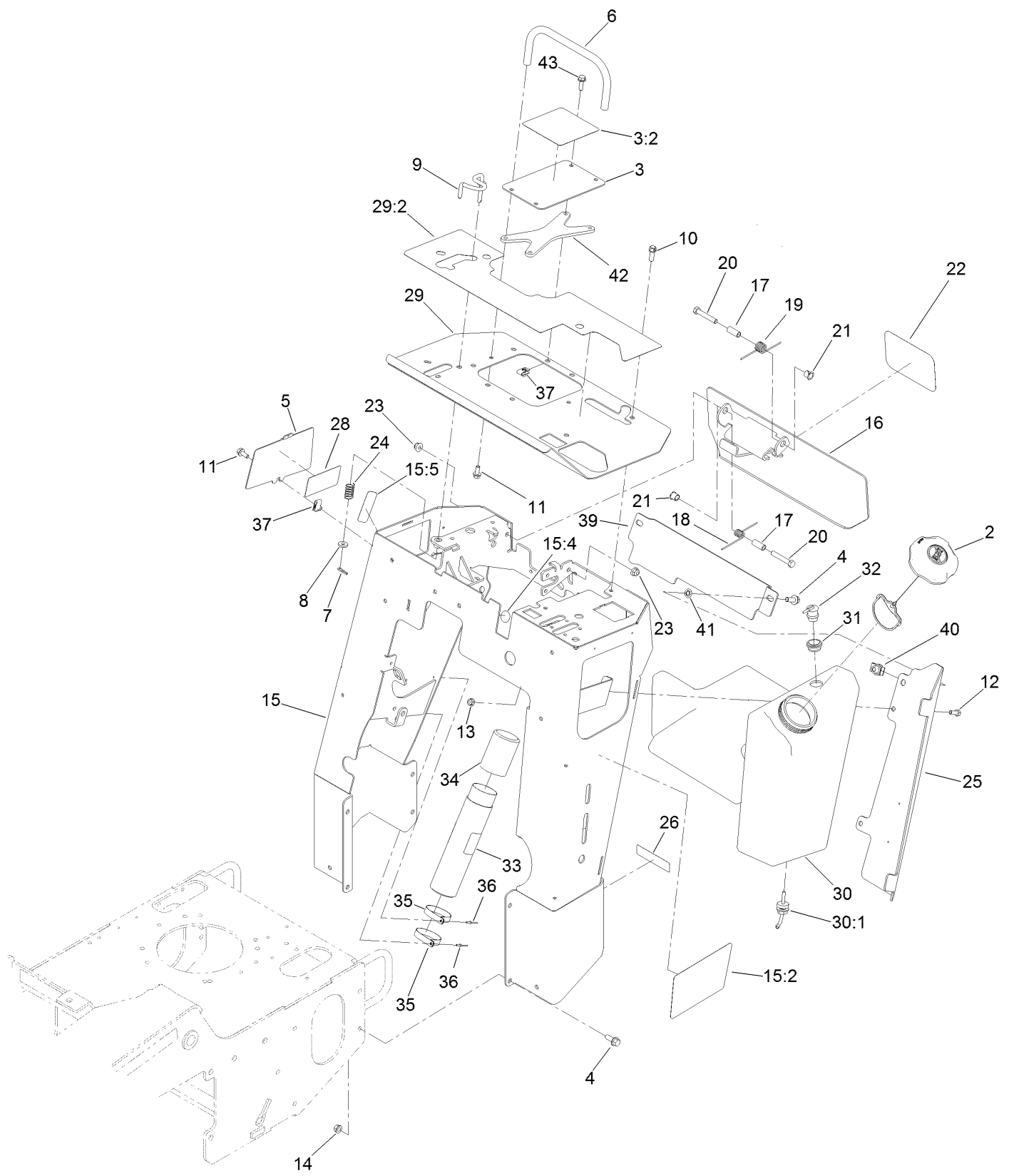
# Frame Assembly



## Frame Assembly (continued)

| <i>Ref.</i> | <i>Part Number</i> | <i>Qty.</i> | <i>Description</i>  | <i>Ref.</i> | <i>Part Number</i> | <i>Qty.</i> | <i>Description</i> |
|-------------|--------------------|-------------|---------------------|-------------|--------------------|-------------|--------------------|
| 1           | 137-7628           | 1           | Main Frame ASM      | 8           | 105-4886           | 2           | Nut-Tinnerman      |
| 1:2         | 100-4650           | 1           | Decal-Warning       | 9           | 137-7623-03        | 1           | Plate-Cover, Front |
| 1:3         | 93-7814            | 2           | Decal-Danger        | 10          | 3234-18            | 3           | Screw-HHF          |
| 1:4         | 93-6686            | 1           | Decal-Oil, HYD      | 11          | 107-3154           | 5           | Nut-Push           |
| 1:5         | 93-9084            | 2           | Decal-Point, Lift   | 12          | 323-12             | 1           | Screw-HH           |
| 1:6         | 138-7103           | 1           | Decal-Intellitrench | 13          | 32128-40           | 2           | Nut-Flange         |
| 2           | 114-3075           | 1           | Sight Glass ASM     | 14          | 119-5106-01        | 1           | Cover-Rear         |
| 2:1         | 237-79             | 1           | O-Ring              | 15          | 3234-11            | 2           | Screw-HHF          |
| 3           | 354-120            | 1           | Fitting-Elbow, 90   | 16          | 119-5091-01        | 1           | Bracket-Tank       |
| 3:1         | 237-79             | 1           | O-Ring              | 17          | 117-6417           | 1           | Pad-Foam           |
| 4           | 114-3039           | 1           | Filter-Tank, In     | 18          | 321-5              | 2           | Screw-HH           |
| 5           | 104-7201           | 2           | Nut-HF              | 19          | 133-7659           | 1           | Plug ASM           |
| 6           | 1-523420           | 1           | Bumper              | 19:1        | 237-79             | 1           | O-Ring             |
| 7           | 32128-33           | 1           | Nut-HF              | 20          | 112-4576           | 3           | Nut-Clip, U        |

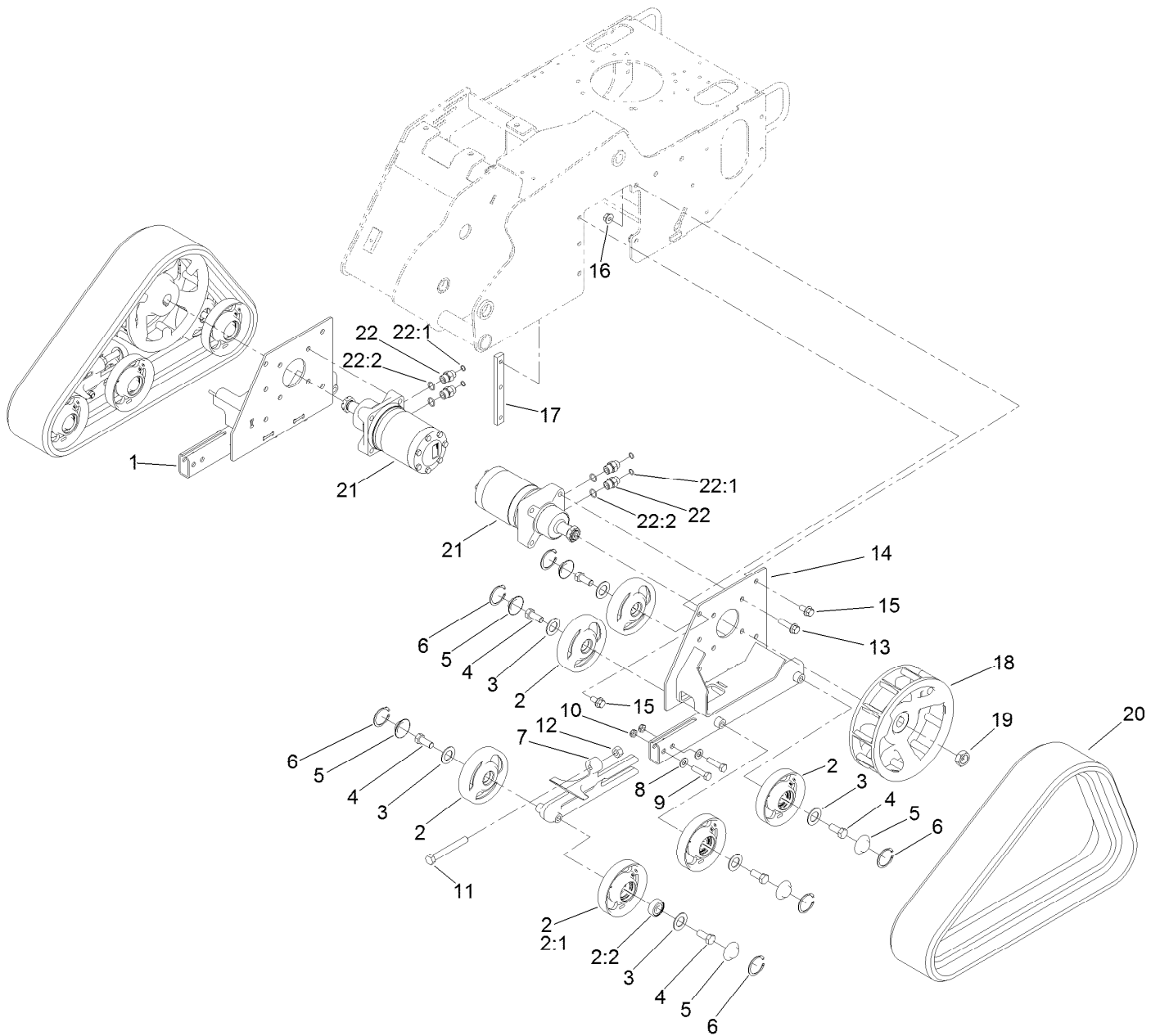
# Control Tower and Fuel Tank Assembly



## Control Tower and Fuel Tank Assembly (continued)

| <i>Ref.</i> | <i>Part Number</i> | <i>Qty.</i> | <i>Description</i>     | <i>Ref.</i> | <i>Part Number</i> | <i>Qty.</i> | <i>Description</i>     |
|-------------|--------------------|-------------|------------------------|-------------|--------------------|-------------|------------------------|
| 2           | 137-4119           | 1           | Cap-Fuel, Ratcheting   | 21          | 256-257            | 2           | Bushing-Nyliner        |
| 3           | 137-3795           | 1           | Cover-Handle, Traction | 22          | 105-1217           | 1           | Decal                  |
| 3:2         | 138-7107           | 1           | Decal-Traction         | 23          | 104-8301           | 2           | Nut-HF, NI             |
| 4           | 3234-11            | 10          | Screw-HHF              | 24          | 85-6750            | 1           | Spring-Control         |
| 5           | 137-7654-01        | 1           | Plate-Cover, Access    | 25          | 119-5086-01        | 1           | Bracket-Cover, Tank    |
| 6           | 137-7641           | 1           | Bar-Reference          | 26          | 133-8062           | 1           | Decal-Arrestor, Spark  |
| 7           | 3290-307           | 1           | Pin-Cotter             | 28          | 138-7154           | 1           | Decal-Fuse             |
| 8           | 88-7200            | 1           | Washer-Flat            | 29          | 137-3799           | 1           | Cover-Control          |
| 9           | 114-8727           | 1           | Rod-Interlock          | 29:2        | 138-7106           | 1           | Decal-Panel, Control   |
| 10          | 95-1726            | 4           | Screw-Taptite          | 30          | 120-7359           | 1           | Tank-Fuel              |
| 11          | 3234-5             | 3           | Screw-HHF              | 30:1        | 103-2605           | 1           | Fitting-Fuel, Bulkhead |
| 12          | 322-4              | 2           | Screw-HH               | 31          | 114-0284           | 1           | Grommet                |
| 13          | 104-8300           | 2           | Nut-HF, NI             | 32          | 119-3547           | 1           | Valve-Vent, Fuel       |
| 14          | 32128-40           | 8           | Nut-Flange             | 33          | 104-7050           | 1           | Tube-Manual            |
| 15          | 137-3794           | 1           | Control Tower ASM      | 34          | 104-7048           | 1           | Cap-Housing            |
| 15:2        | 137-3839           | 1           | Decal-Side, LH         | 35          | 2412-120           | 2           | Clamp-R                |
| 15:4        | 107-8495           | 1           | Decal-Brake, Parking   | 36          | 3269-17            | 2           | Rivet-Pop              |
| 15:5        | 139-1271           | 1           | Decal-Brake, Parking   | 37          | 94-2413            | 5           | Nut-U                  |
| 16          | 137-7652-03        | 1           | Plate-Reverse          | 39          | 139-1259-03        | 1           | Guard-Tower            |
| 17          | 114-1337           | 2           | Spacer-Spring          | 40          | 105-4886           | 2           | Nut-Tinnerman          |
| 18          | 98-8425            | 1           | Spring-Torsion, LH     | 41          | 107-3154           | 2           | Nut-Push               |
| 19          | 137-7695           | 1           | Spring-Torsion         | 42          | 139-1288-03        | 1           | Spacer-Cover           |
| 20          | 323-11             | 2           | Screw-HH               | 43          | 3234-17            | 4           | Screw-HHF              |

# Drive Assembly

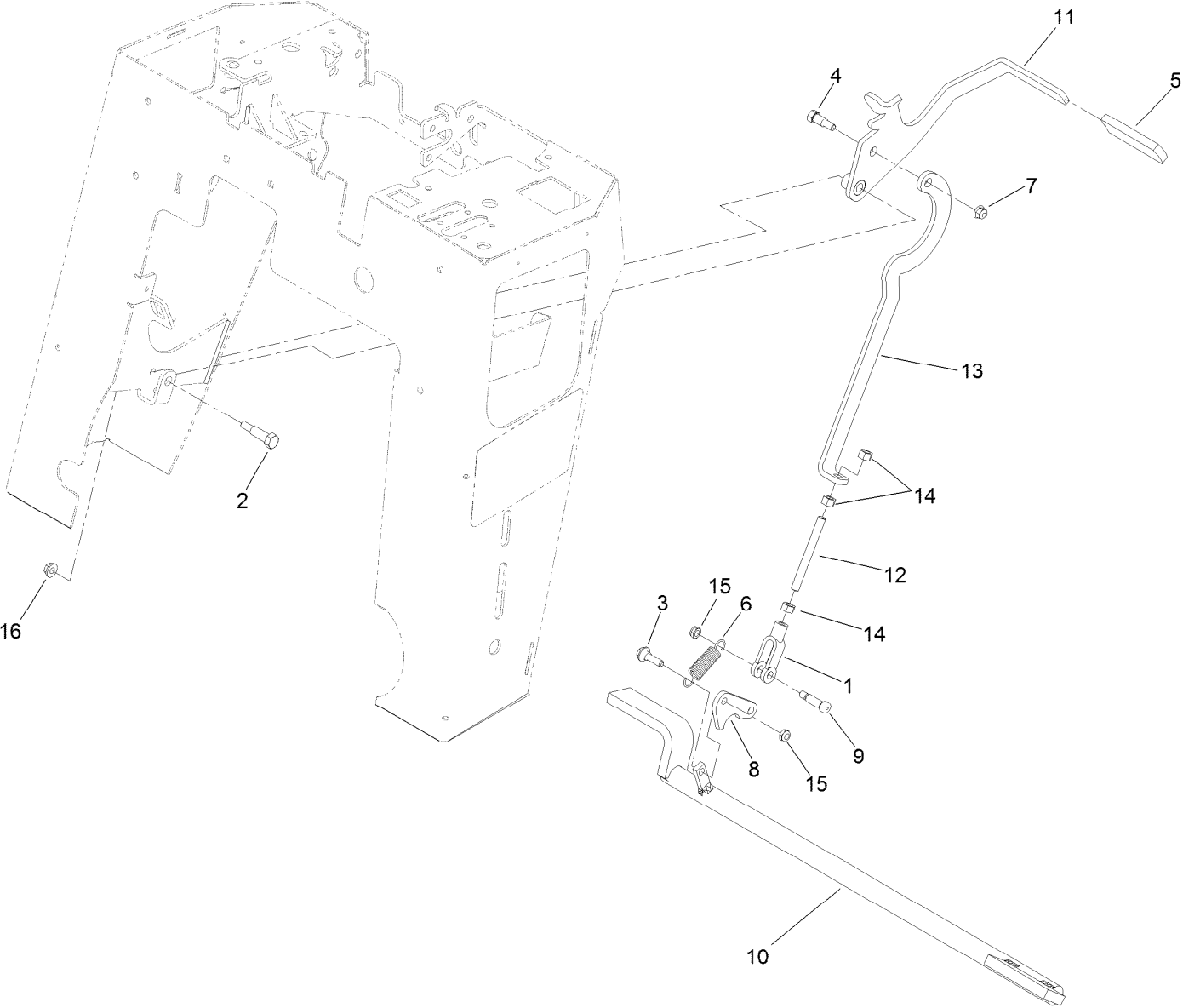




## Drive Assembly (continued)

| <i>Ref.</i> | <i>Part Number</i> | <i>Qty.</i> | <i>Description</i>  | <i>Ref.</i> | <i>Part Number</i> | <i>Qty.</i> | <i>Description</i> |
|-------------|--------------------|-------------|---------------------|-------------|--------------------|-------------|--------------------|
| 1           | 114-2993-03        | 1           | Frame-Track, RH     | 12          | 3217-11            | 2           | Nut-Hex            |
| 2           | 112-4817           | 12          | Wheel-Tensioner     | 13          | 3234-27            | 8           | Screw-HHF          |
| 2:1         | 114-3014-03        | 1           | Wheel-Track         | 14          | 114-2992-03        | 1           | Frame-Track, LH    |
| 2:2         | 120-5378           | 1           | Bearing-Ball        | 15          | 3234-6             | 10          | Screw-HHF          |
| 3           | 106-7585           | 12          | Gasket-Bogie        | 16          | 32128-49           | 4           | Nut-HHF            |
| 4           | 327-4              | 12          | Screw-HH            | 17          | 114-3091           | 2           | Bar-Thread         |
| 5           | 106-7557           | 12          | Cap-Wheel, Bearing  | 18          | 117-6426-03        | 2           | Wheel-Drive        |
| 6           | 106-7595           | 12          | Ring-Snap, Internal | 19          | 106-8159           | 2           | Nut-Lock           |
| 7           | 114-3077-03        | 2           | Tensioner-Track     | 20          | 112-4816           | 2           | Track-Rubber       |
| 8           | 3256-26            | 4           | Washer-Flat         | 21          | 137-3866           | 2           | Wheel Motor ASM    |
| 9           | 325-8              | 4           | Screw-HH            | 22          | 340-6              | 4           | Fitting-Straight   |
| 10          | 3296-45            | 4           | Nut-Hex             | 22:1        | 237-30             | 1           | O-Ring             |
| 11          | 112-4874           | 2           | Screw-HH, TAP       | 22:2        | 237-80             | 1           | O-Ring             |

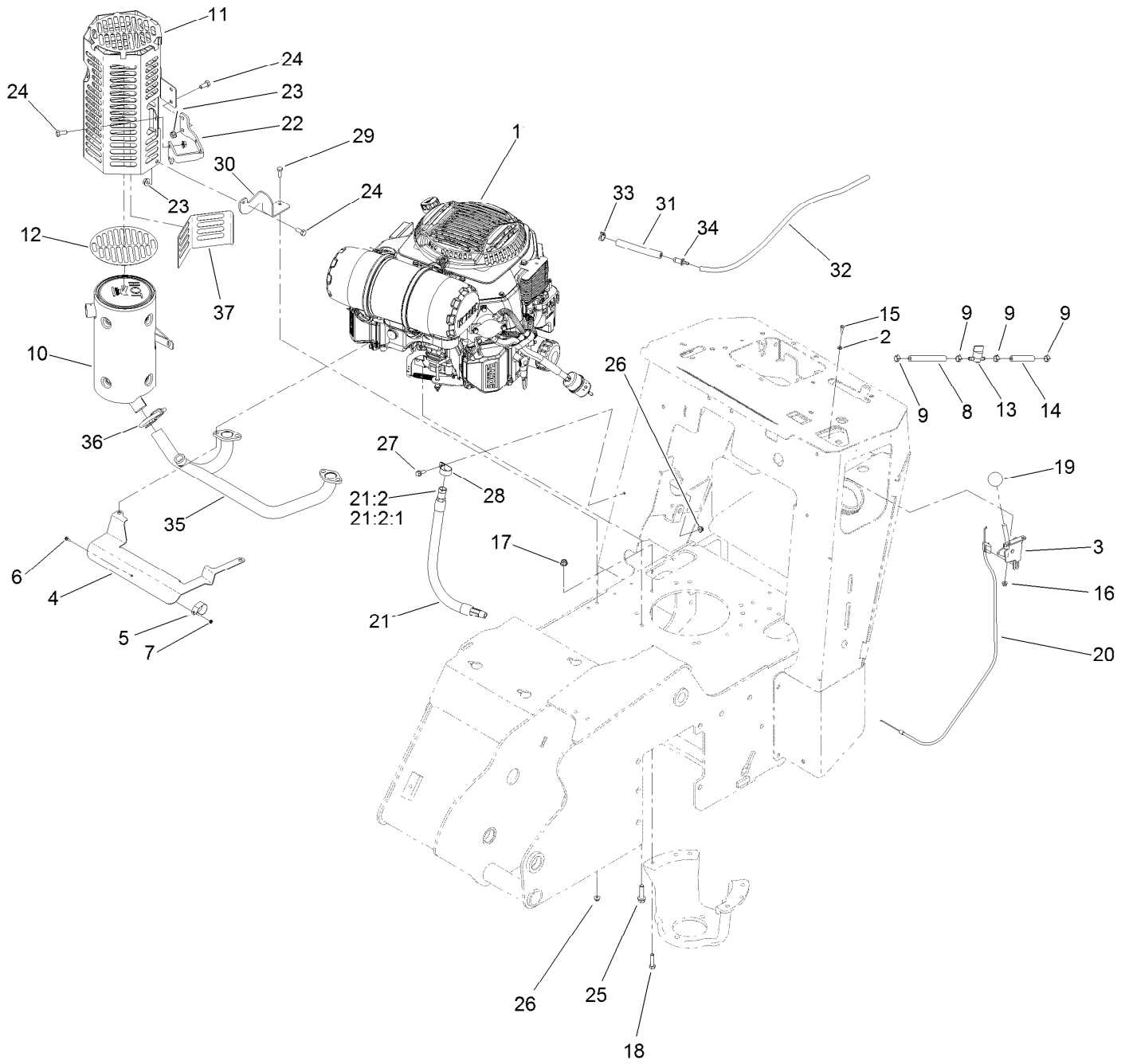
# Brake Linkage Assembly



## Brake Linkage Assembly (continued)

| <i>Ref.</i> | <i>Part Number</i> | <i>Qty.</i> | <i>Description</i>  | <i>Ref.</i> | <i>Part Number</i> | <i>Qty.</i> | <i>Description</i> |
|-------------|--------------------|-------------|---------------------|-------------|--------------------|-------------|--------------------|
| 1           | 1-633131           | 1           | Yoke-Linkage, Brake | 9           | 114-8629           | 1           | Bolt-Shoulder      |
| 2           | 7-0030             | 1           | Screw-Shoulder, HH  | 10          | 121-6240-03        | 1           | Bar-Brake          |
| 3           | 27-7211            | 1           | Screw-Shoulder      | 11          | 121-6242-03        | 1           | Handle-Brake       |
| 4           | 28-0540            | 1           | Bolt-Shoulder       | 12          | 121-6243           | 1           | Rod-Threaded       |
| 5           | 62-9130            | 1           | Grip-Handle         | 13          | 121-6245-03        | 1           | Plate-Brake        |
| 6           | 67-1450            | 1           | Spring-Idler        | 14          | 3219-3             | 3           | Nut-Hex            |
| 7           | 104-8300           | 1           | Nut-HF, NI          | 15          | 3296-47            | 2           | Nut-Lock, NI       |
| 8           | 114-2975           | 1           | Link-Mounting       | 16          | 32128-20           | 1           | Nut-HF             |

# Engine, Muffler and Air Cleaner Assembly

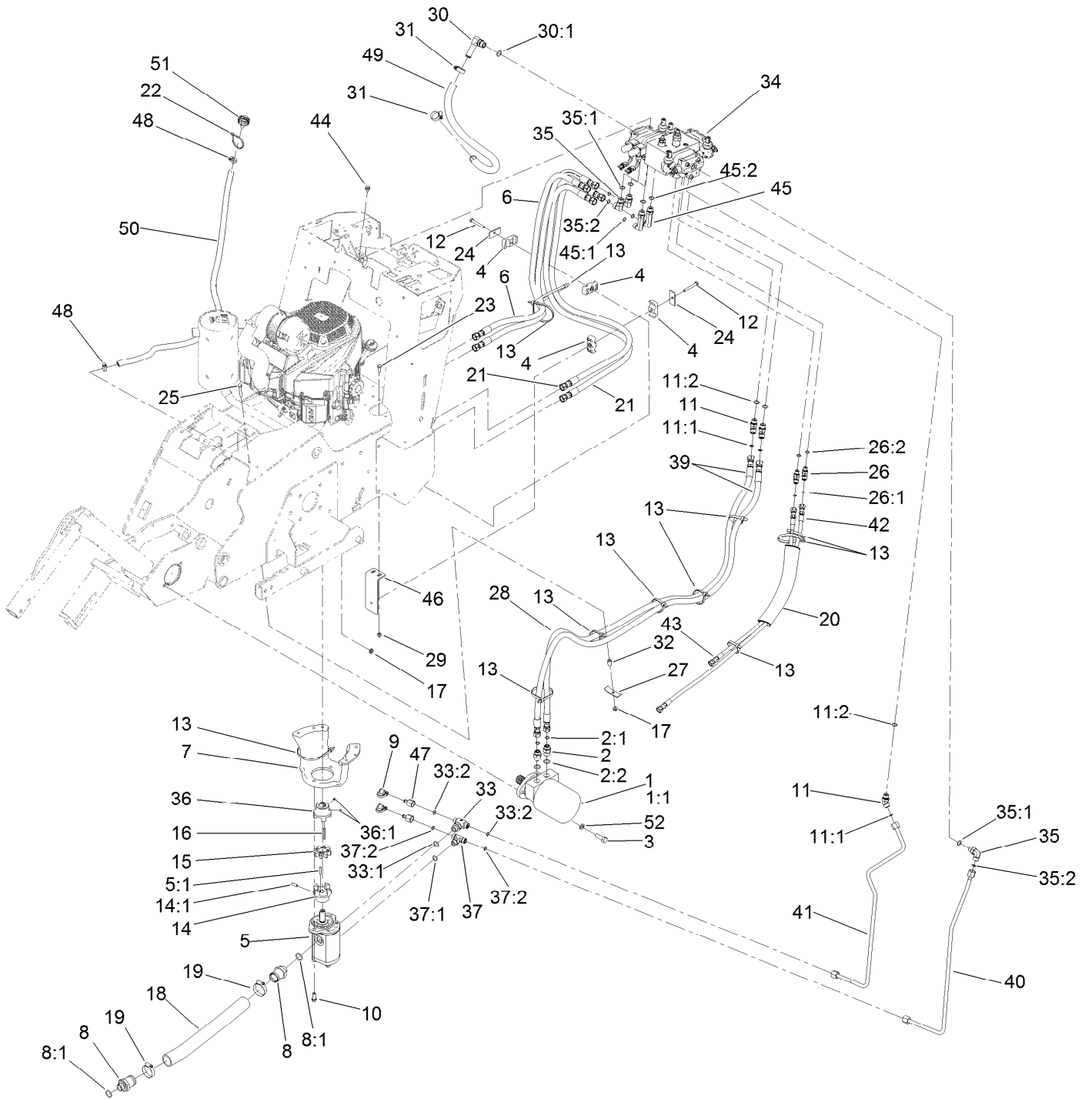


## Engine, Muffler and Air Cleaner Assembly (continued)

| <i>Ref.</i> | <i>Part Number</i> | <i>Qty.</i> | <i>Description</i>               | <i>Ref.</i> | <i>Part Number</i> | <i>Qty.</i> | <i>Description</i>        |
|-------------|--------------------|-------------|----------------------------------|-------------|--------------------|-------------|---------------------------|
| 1           | 138-3130           | 1           | Engine-Kohler,<br>Ps-Ecv749-3068 | 20          | 115-1211           | 1           | Cable-Control             |
| 2           | 3256-21            | 2           | Washer-Flat                      | 21          | 116-5316           | 1           | Oil Drain Hose ASM        |
| 3           | 110-5547           | 1           | Lever-Control                    | 21:2        | 353-508            | 1           | Plug-HH ●                 |
| 4           | 137-7691           | 1           | Shield-Heat                      | 21:2:1      | 237-42             | 1           | O-Ring                    |
| 5           | 115-6488           | 1           | Clamp                            | 22          | 138-3101-03        | 1           | Bracket-Muffler           |
| 6           | 115-6494           | 1           | Screw-Pan                        | 23          | 32128-26           | 5           | Nut-Flange                |
| 7           | 115-6495           | 1           | Nut-Hex                          | 24          | 322-3              | 5           | Screw-HH                  |
| 8           | 109-0295           | 1           | Hose-Fuel                        | 25          | 32144-102          | 4           | Screw-HWH                 |
| 9           | 2412-98            | 4           | Clamp-Hose                       | 26          | 104-7201           | 3           | Nut-HF                    |
| 10          | 138-7138           | 1           | Muffler-Kohler                   | 27          | 3234-4             | 1           | Screw-HHF                 |
| 11          | 139-1310-03        | 1           | Guard-Muffler                    | 28          | 2412-106           | 1           | Clamp-R                   |
| 12          | 131-0604           | 1           | Guard-Foil                       | 29          | 321-4              | 2           | Screw-HH                  |
| 13          | 1-603770           | 1           | Valve-Fuel                       | 30          | 139-1335-03        | 1           | Bracket-Guard, Muffler    |
| 14          | 109-0304           | 1           | Hose-Fuel                        | 31          | 138-3150           | 1           | Hose-Vent                 |
| 15          | 3290-134           | 2           | Screw                            | 32          | 138-3151           | 1           | Hose-Vent                 |
| 16          | 120-4578           | 2           | Nut-HF                           | 33          | 103-1988           | 1           | Clamp-Hose                |
| 17          | 104-8300           | 3           | Nut-HF, NI                       | 34          | 116-4630           | 1           | Fitting-Orifice, Straight |
| 18          | 322-6              | 3           | Screw-HH                         | 35          | 138-7139           | 1           | Manifold-Kohler           |
| 19          | 233-42             | 1           | Knob                             | 36          | 2112-11            | 1           | Clamp-Muffler             |
|             |                    |             |                                  | 37          | 139-1322           | 1           | Guard-Foil                |

● Torque to 24-26 ft-lb

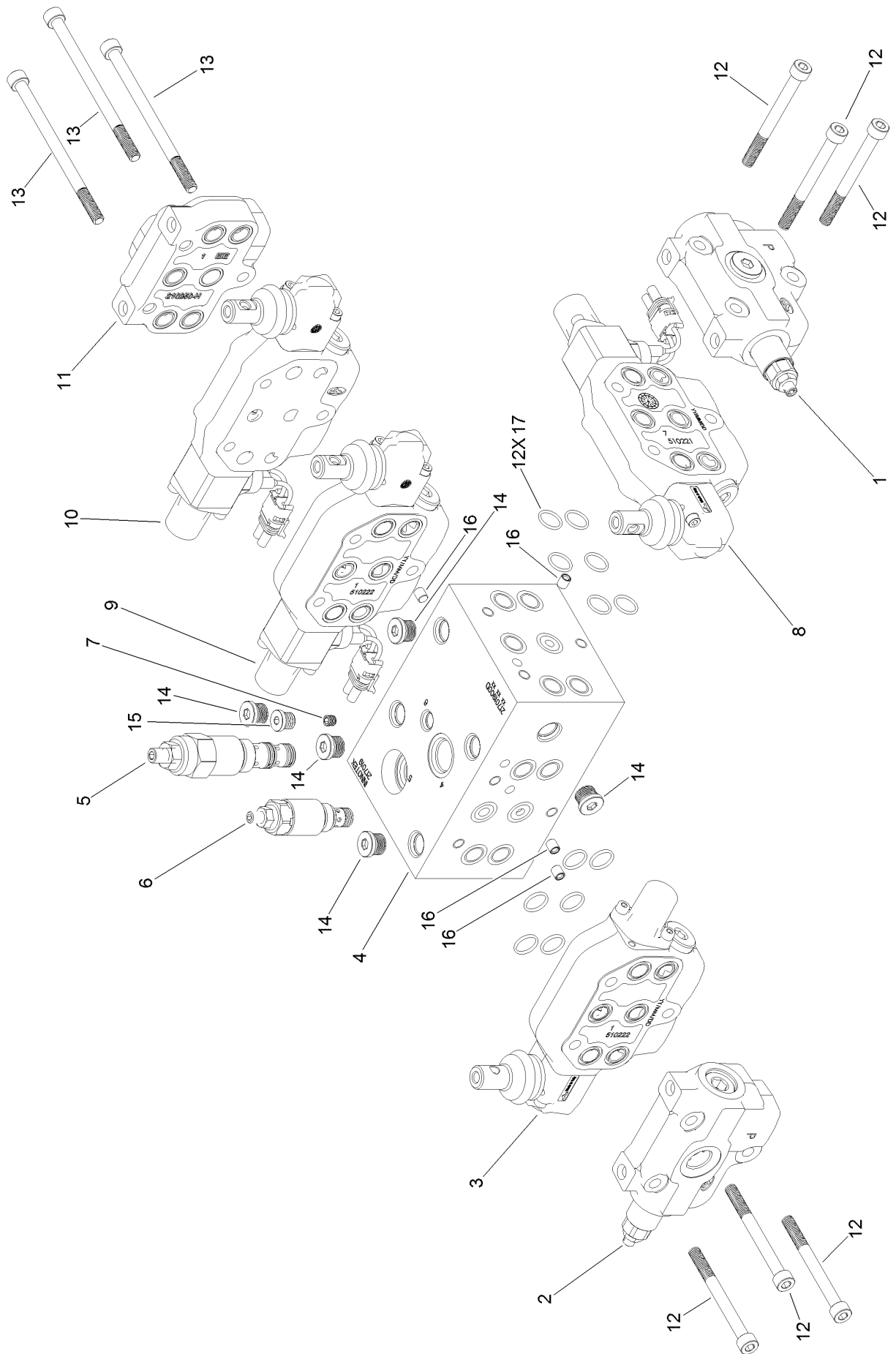
# Hydraulic Assembly



## Hydraulic Assembly (continued)

| <i>Ref.</i> | <i>Part Number</i> | <i>Qty.</i> | <i>Description</i>    | <i>Ref.</i> | <i>Part Number</i> | <i>Qty.</i> | <i>Description</i>      |
|-------------|--------------------|-------------|-----------------------|-------------|--------------------|-------------|-------------------------|
| 1           | 117-6306           | 1           | Hydraulic Motor ASM   | 27          | 100-4860           | 1           | Bracket-Clamp           |
| 1:1         | 115-4061           | 1           | Seal Kit              | 28          | 99-5648            | 2           | Sleeve-Protective       |
| 2           | 340-6              | 2           | Fitting-Straight      | 29          | 104-8300           | 2           | Nut-HF, NI              |
| 2:1         | 237-30             | 1           | O-Ring                | 30          | 87-8170            | 1           | Fitting-90              |
| 2:2         | 237-80             | 1           | O-Ring                | 30:1        | 237-80             | 1           | O-Ring                  |
| 3           | 325-6              | 2           | Screw-HH              | 31          | 2412-129           | 2           | Clamp-Hose              |
| 4           | 94-8105            | 6           | Clamp-Tube            | 32          | 93-5023            | 1           | Spacer                  |
| 5           | 137-7630           | 1           | Pump-HYD              | 33          | 130-8775           | 1           | Fitting-HYD             |
| 5:1         | 27-8590            | 1           | Key-Square            | 33:1        | 237-80             | 1           | O-Ring                  |
| 6           | 137-7682           | 2           | Hydraulic Hose ASM    | 33:2        | 237-30             | 2           | O-Ring                  |
| 7           | 137-7634-03        | 1           | Mount-Pump            | 34          | 137-7646           | 1           | Valve ASM               |
| 8           | 138-7126           | 2           | Fitting-STR           | 35          | 340-98             | 3           | Fitting-Elbow, 90 DEG   |
| 8:1         | 237-81             | 1           | O-Ring                | 35:1        | 237-79             | 1           | O-Ring                  |
| 9           | 354-79             | 2           | Cap-Dust              | 35:2        | 237-30             | 1           | O-Ring                  |
| 10          | 324-4              | 2           | Screw-HH              | 36          | 138-7100           | 1           | Hub-Flex (1.125" Shaft) |
| 11          | 340-101            | 3           | Fitting-HYD, 45 DEG   | 36:1        | 100-7594           | 2           | Screw-Set               |
| 11:1        | 237-30             | 1           | O-Ring                | 37          | 340-157            | 1           | Fitting-HYD, Tee        |
| 11:2        | 237-79             | 1           | O-Ring                | 37:1        | 237-79             | 1           | O-Ring                  |
| 12          | 322-11             | 3           | Screw-HH              | 37:2        | 237-30             | 2           | O-Ring                  |
| 13          | 3334-945           | 11          | Tie-Cable             | 39          | 137-3730           | 2           | Hydraulic Hose ASM      |
| 14          | 114-2933           | 1           | Coupler-Flex          | 40          | 137-7698           | 1           | HYD Tube ASM            |
| 14:1        | 100-7594           | 1           | Screw-Set             | 41          | 137-3724           | 1           | HYD Tube ASM            |
| 15          | 93-8827            | 1           | Coupler-Spider        | 42          | 137-3731           | 1           | Hydraulic Hose ASM      |
| 16          | 608006             | 1           | Key-Square            | 43          | 137-3732           | 1           | Hose-HYD                |
| 17          | 32128-20           | 4           | Nut-HF                | 44          | 68-9410            | 3           | Screw-HHF               |
| 18          | 138-7128           | 1           | Hose-Suction, HYD     | 45          | 99-6160            | 2           | Fitting-Elbow, 90 Long  |
| 19          | 2412-130           | 2           | Clamp-Hose            | 45:1        | 237-30             | 1           | O-Ring                  |
| 20          | 115-4064           | 1           | Sleeve-Protective     | 45:2        | 237-79             | 1           | O-Ring                  |
| 21          | 137-7680           | 2           | Hydraulic Hose ASM    | 46          | 137-3736-03        | 1           | Bracket-Support, Hose   |
| 22          | 3290-379           | 1           | Tie-Cable             | 47          | 100-5616           | 2           | Fitting                 |
| 23          | 322-4              | 2           | Screw-HH              | 48          | 2412-36            | 2           | Clamp-Hose              |
| 24          | 69-9761            | 3           | Plate-Cover           | 49          | 137-3733           | 1           | Hose-Cooler             |
| 25          | 322-10             | 1           | Screw-HH              | 50          | 114-3042           | 1           | Hose-Breather           |
| 26          | 340-87             | 2           | Fitting-Elbow, 45 DEG | 51          | 68-6150            | 1           | Breather                |
| 26:1        | 237-22             | 1           | O-Ring                | 52          | 3253-7             | 2           | Washer-Lock             |
| 26:2        | 237-42             | 1           | O-Ring                |             |                    |             |                         |

# Valve Assembly No. 137-7646

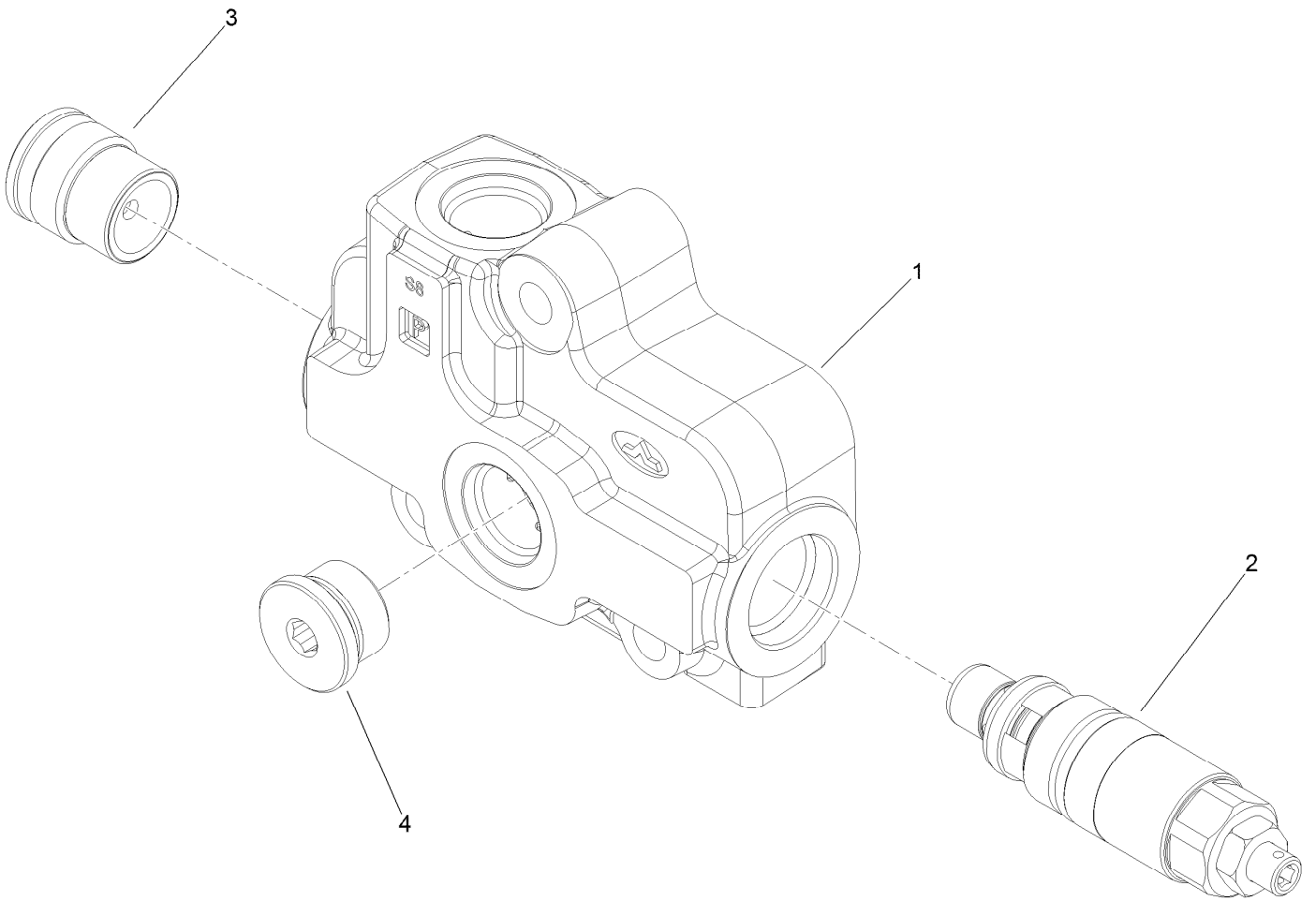




## Valve Assembly No. 137-7646 (continued)

| <i>Ref.</i> | <i>Part Number</i> | <i>Qty.</i> | <i>Description</i>           | <i>Ref.</i> | <i>Part Number</i> | <i>Qty.</i> | <i>Description</i>      |
|-------------|--------------------|-------------|------------------------------|-------------|--------------------|-------------|-------------------------|
| 1           | 139-1337           | 1           | Section-Inlet                | 10          | 139-1346           | 1           | Section-Valve, Parallel |
| 2           | 139-1338           | 1           | Section-Inlet                | 11          | 139-1347           | 1           | Section-Outlet          |
| 3           | 139-1339           | 1           | Section-Valve, Series        | 12          | 139-1348           | 6           | Screw-HSH               |
| 4           | 139-1340           | 1           | Block-Manifold               | 13          | 139-1349           | 3           | Screw-HSH               |
| 5           | 139-1341           | 1           | Valve-Directional, Unloading | 14          | 131-3807           | 5           | Plug                    |
| 6           | 139-1342           | 1           | Valve-Relief                 | 15          | 131-3806           | 1           | Plug                    |
| 7           | 139-1343           | 1           | Plug-Orifice                 | 16          | 140-1100           | 4           | Plug-Expansion          |
| 8           | 139-1344           | 1           | Section-Valve, Parallel      | 17          | 140-1101           | 12          | O-Ring                  |
| 9           | 139-1345           | 1           | Section-Valve, Series        |             |                    |             |                         |

# Valve Inlet Section Assembly No. 139-1337



# Valve Inlet Section Assembly No. 139-1337 (continued)

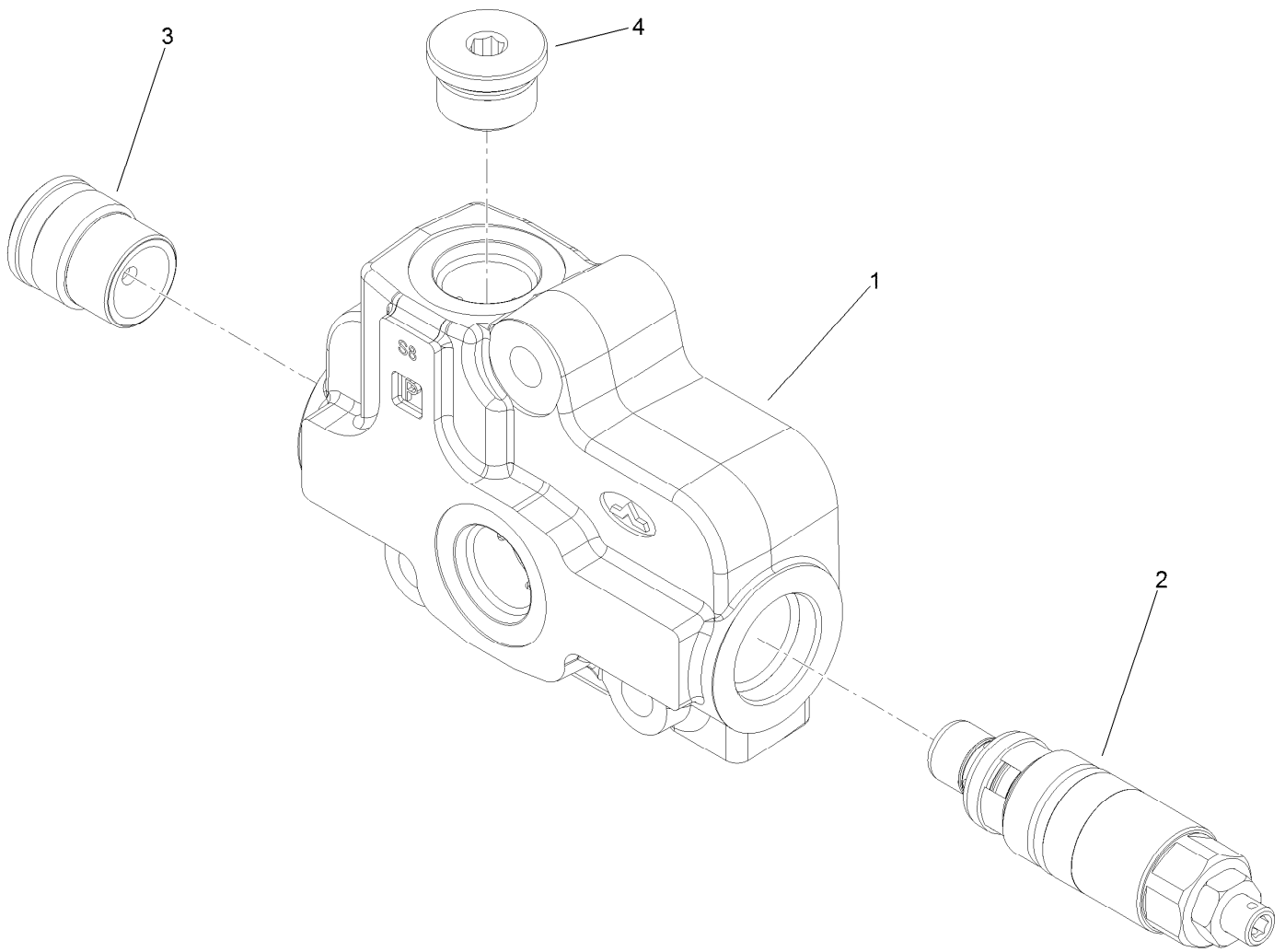
---

| <i>Ref.</i> | <i>Part Number</i> | <i>Qty.</i> | <i>Description</i> |
|-------------|--------------------|-------------|--------------------|
| 1           | 140-1102           | 1           | Inlet              |
| 2           | 132-6039           | 1           | Valve-Relief       |

---

| <i>Ref.</i> | <i>Part Number</i> | <i>Qty.</i> | <i>Description</i> |
|-------------|--------------------|-------------|--------------------|
| 3           | 140-1103           | 1           | Plug               |
| 4           | 140-1104           | 1           | Plug               |

# Valve Inlet Section Assembly No. 139-1338

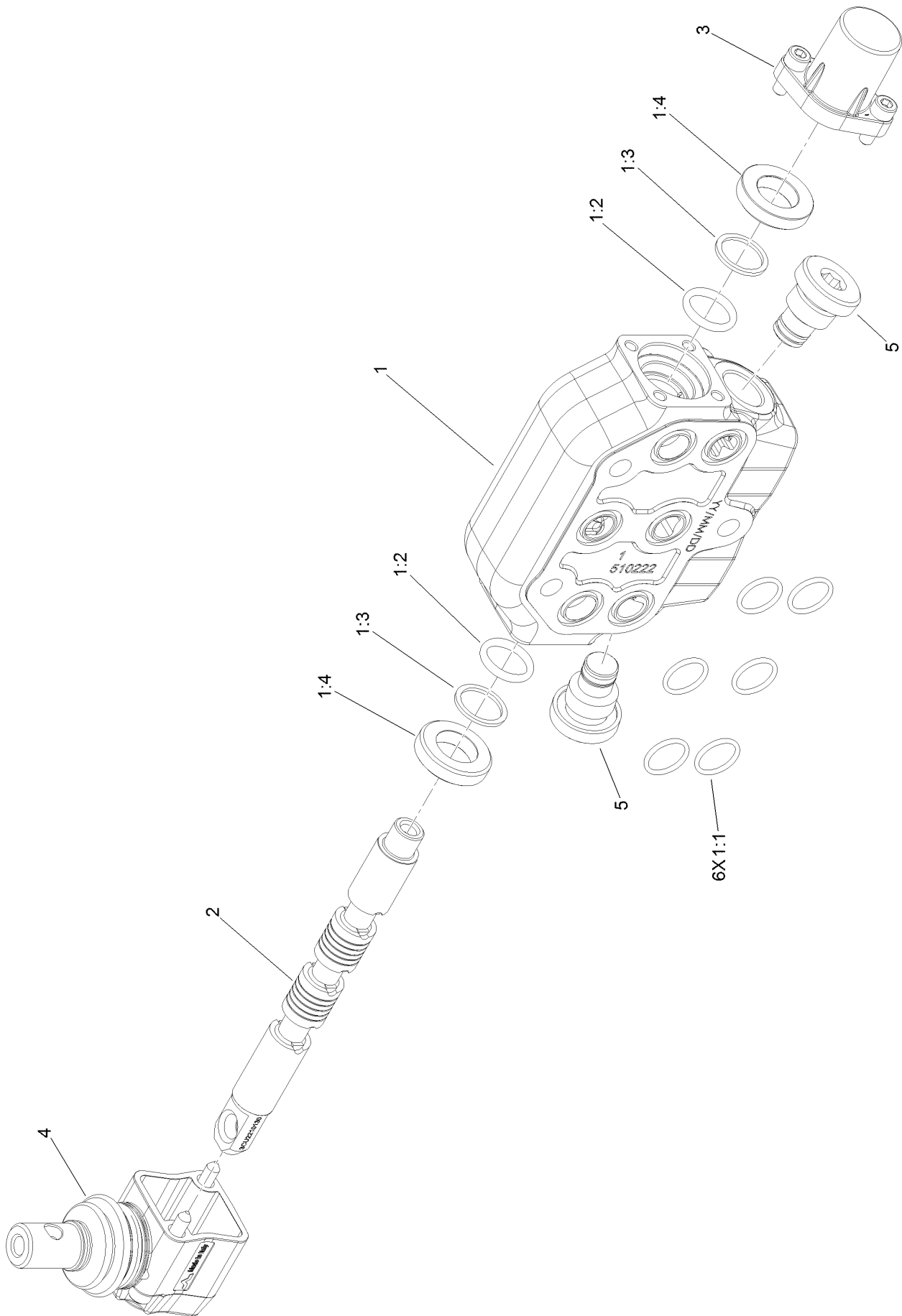


# Valve Inlet Section Assembly No. 139-1338 (continued)

| <i>Ref.</i> | <i>Part Number</i> | <i>Qty.</i> | <i>Description</i> |
|-------------|--------------------|-------------|--------------------|
| 1           | 140-1102           | 1           | Inlet              |
| 2           | 132-6039           | 1           | Valve-Relief       |

| <i>Ref.</i> | <i>Part Number</i> | <i>Qty.</i> | <i>Description</i> |
|-------------|--------------------|-------------|--------------------|
| 3           | 140-1103           | 1           | Plug               |
| 4           | 140-1104           | 1           | Plug               |

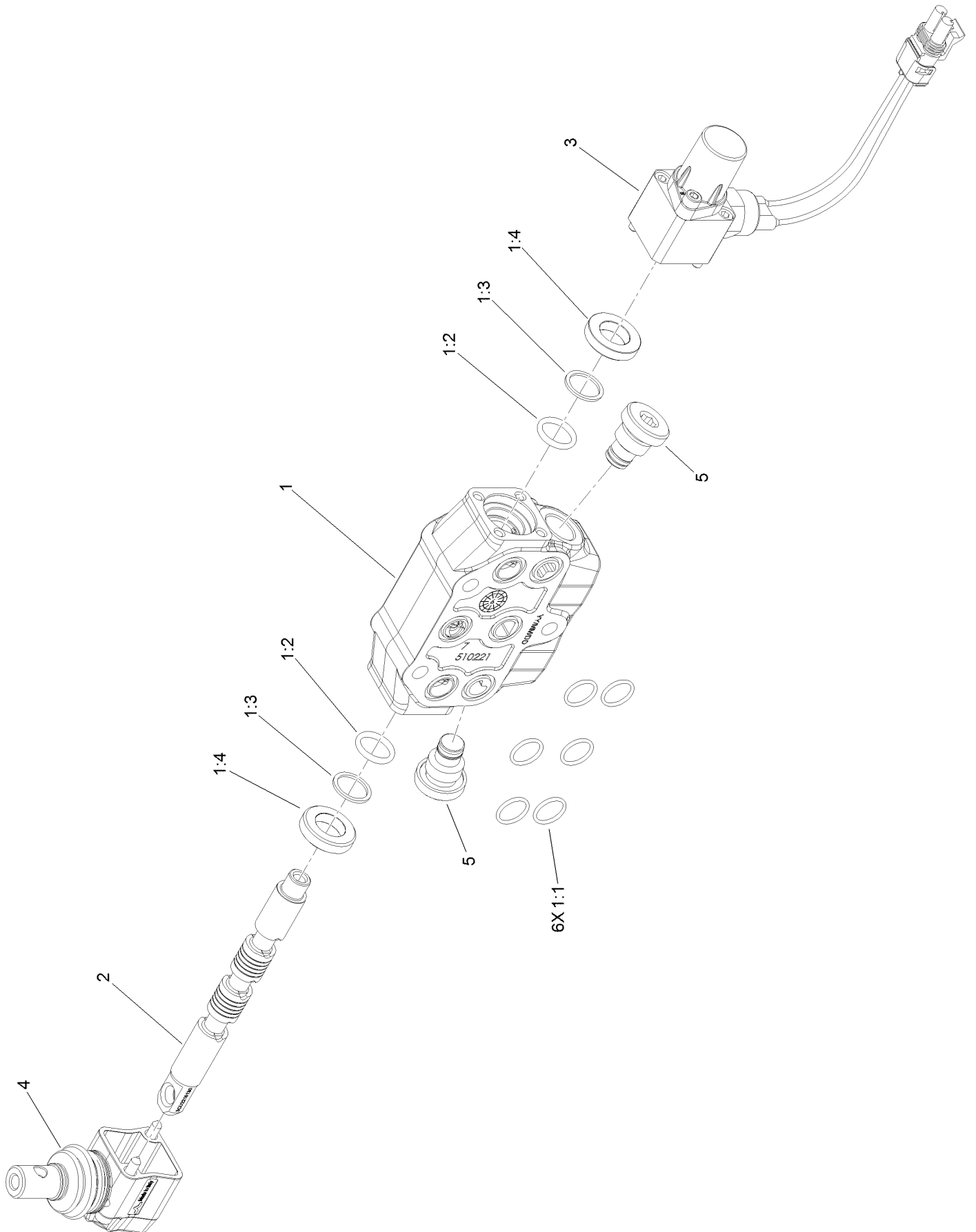
# Series Valve Section Assembly No. 139-1339



# Series Valve Section Assembly No. 139-1339 (continued)

| <i>Ref.</i> | <i>Part Number</i> | <i>Qty.</i> | <i>Description</i> | <i>Ref.</i> | <i>Part Number</i> | <i>Qty.</i> | <i>Description</i> |
|-------------|--------------------|-------------|--------------------|-------------|--------------------|-------------|--------------------|
| 1           | 140-1109           | 1           | Section-Working    | 2           | 140-1105           | 1           | Valve-Spool        |
| 1:1         | 140-1114           | 6           | O-Ring             | 3           | 140-1110           | 1           | Kit-Control        |
| 1:2         | 106-7719           | 2           | Seal-Valve         | 4           | 140-1107           | 1           | Lever-Valve        |
| 1:3         | 140-1116           | 2           | Seal-Valve         | 5           | 140-1108           | 2           | Plug               |
| 1:4         | 140-1117           | 2           | Seal-Valve         |             |                    |             |                    |

# Parallel Valve Section Assembly No. 139-1344

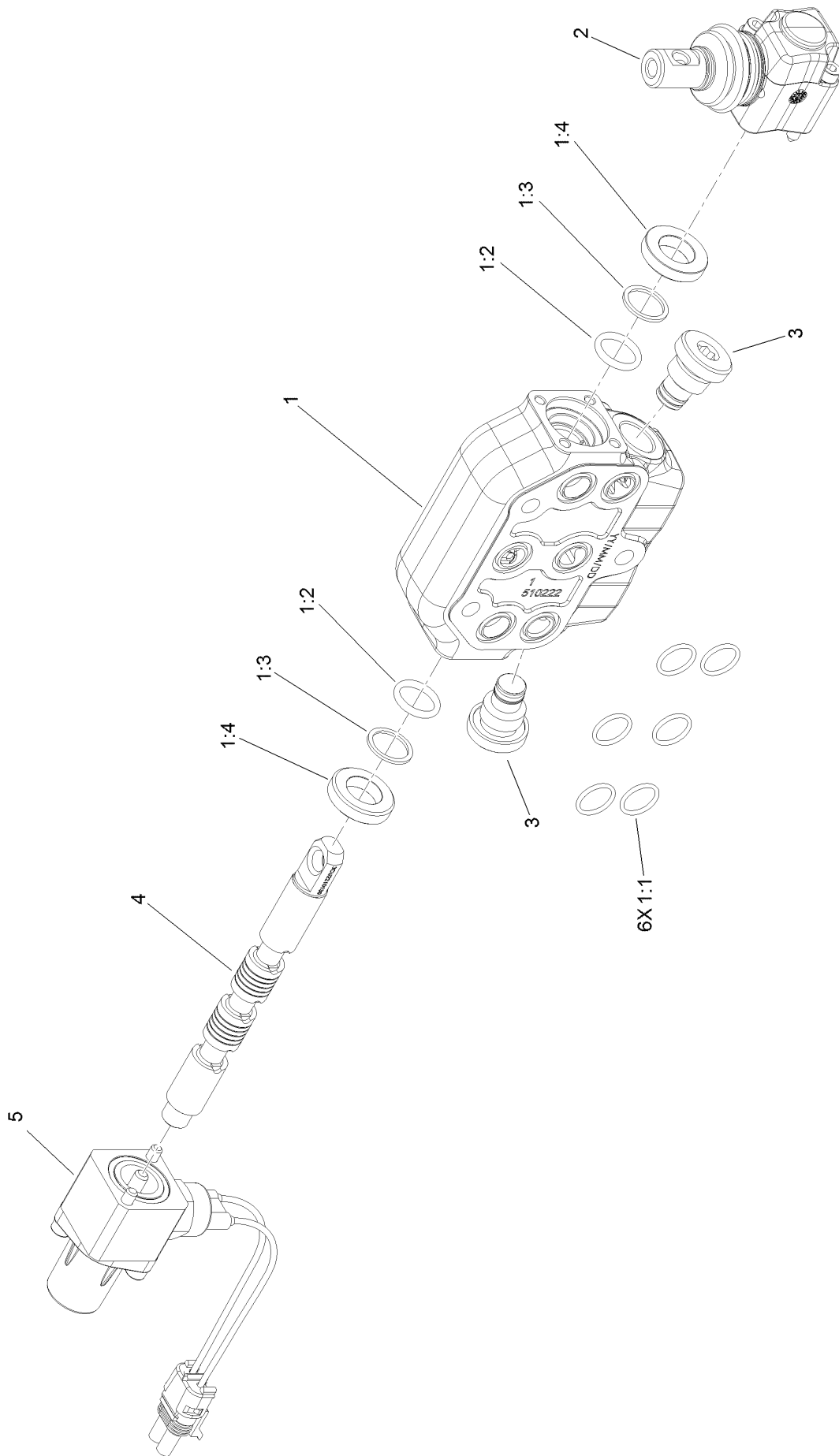




# Parallel Valve Section Assembly No. 139-1344 (continued)

| <i>Ref.</i> | <i>Part Number</i> | <i>Qty.</i> | <i>Description</i> | <i>Ref.</i> | <i>Part Number</i> | <i>Qty.</i> | <i>Description</i> |
|-------------|--------------------|-------------|--------------------|-------------|--------------------|-------------|--------------------|
| 1           | 140-1115           | 1           | Section-Working    | 2           | 140-1105           | 1           | Valve-Spool        |
| 1:1         | 140-1114           | 6           | O-Ring             | 3           | 140-1106           | 1           | Kit-Control        |
| 1:2         | 106-7719           | 2           | Seal-Valve         | 4           | 140-1107           | 1           | Lever-Valve        |
| 1:3         | 140-1116           | 2           | Seal-Valve         | 5           | 140-1108           | 2           | Plug               |
| 1:4         | 140-1117           | 2           | Seal-Valve         |             |                    |             |                    |

# Series Valve Section Assembly No. 139-1345

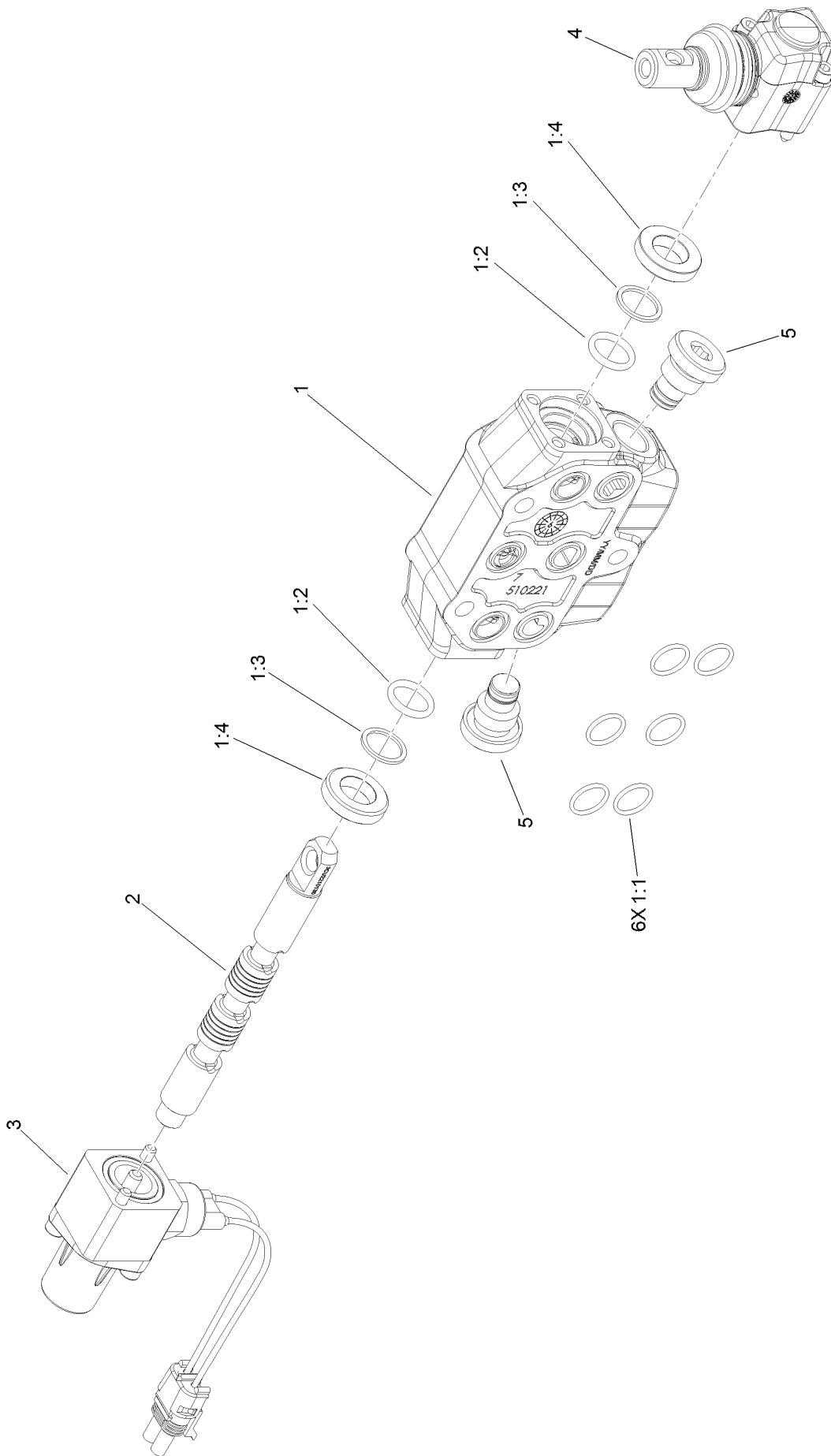


# Series Valve Section Assembly No. 139-1345 (continued)

| <i>Ref.</i> | <i>Part Number</i> | <i>Qty.</i> | <i>Description</i> |
|-------------|--------------------|-------------|--------------------|
| 1           | 140-1118           | 1           | Section-Working    |
| 1:1         | 140-1114           | 6           | O-Ring             |
| 1:2         | 106-7719           | 2           | Seal-Valve         |
| 1:3         | 140-1116           | 2           | Seal-Valve         |
| 1:4         | 140-1117           | 2           | Seal-Valve         |

| <i>Ref.</i> | <i>Part Number</i> | <i>Qty.</i> | <i>Description</i> |
|-------------|--------------------|-------------|--------------------|
| 2           | 140-1107           | 1           | Lever-Valve        |
| 3           | 140-1108           | 2           | Plug               |
| 4           | 140-1105           | 1           | Valve-Spool        |
| 5           | 140-1106           | 1           | Kit-Control        |

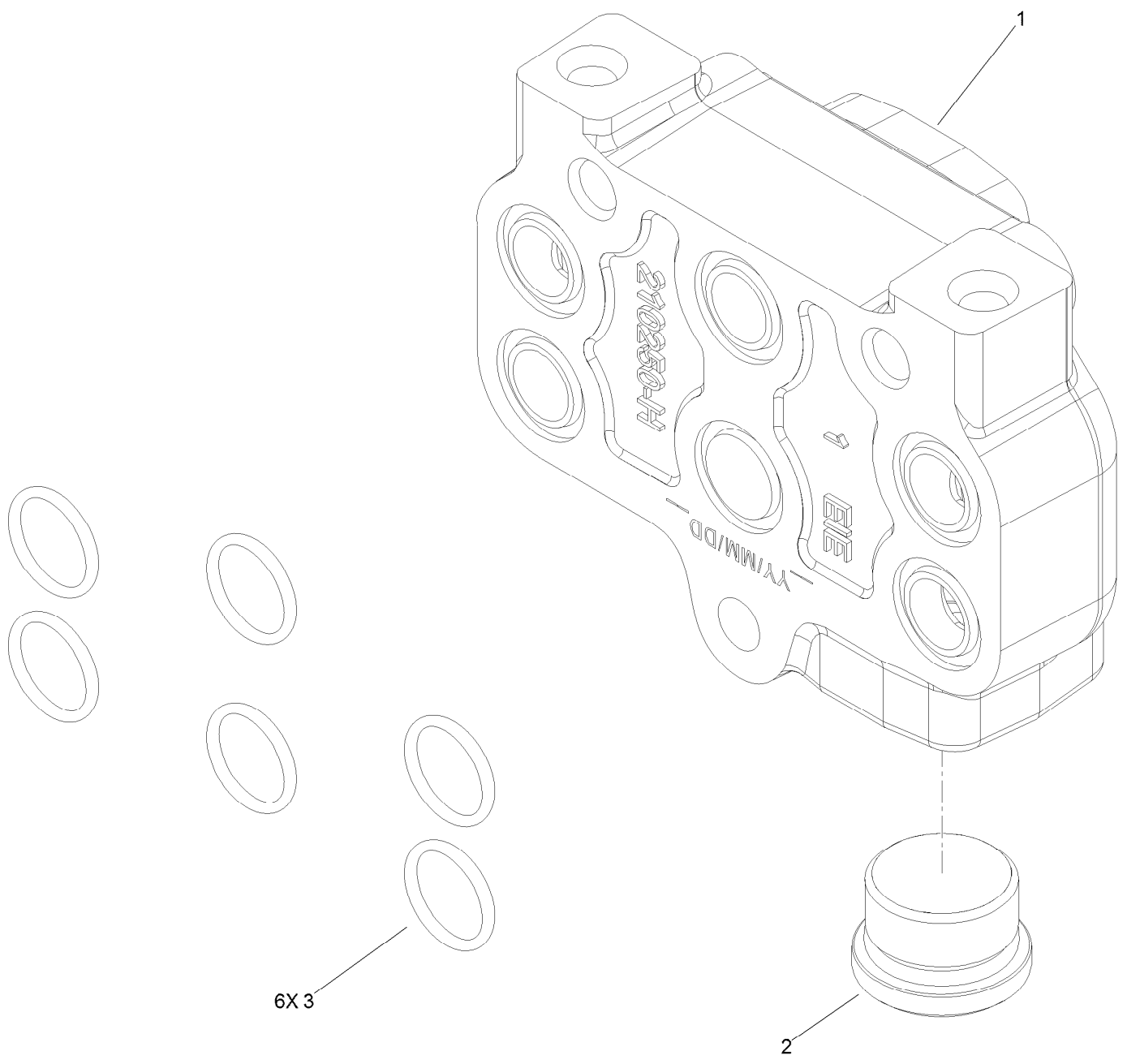
# Parallel Valve Section Assembly No. 139-1346



# Parallel Valve Section Assembly No. 139-1346 (continued)

| <i>Ref.</i> | <i>Part Number</i> | <i>Qty.</i> | <i>Description</i> | <i>Ref.</i> | <i>Part Number</i> | <i>Qty.</i> | <i>Description</i> |
|-------------|--------------------|-------------|--------------------|-------------|--------------------|-------------|--------------------|
| 1           | 140-1115           | 1           | Section-Working    | 2           | 140-1105           | 1           | Valve-Spool        |
| 1:1         | 140-1114           | 6           | O-Ring             | 3           | 140-1106           | 1           | Kit-Control        |
| 1:2         | 106-7719           | 2           | Seal-Valve         | 4           | 140-1107           | 1           | Lever-Valve        |
| 1:3         | 140-1116           | 2           | Seal-Valve         | 5           | 140-1108           | 2           | Plug               |
| 1:4         | 140-1117           | 2           | Seal-Valve         |             |                    |             |                    |

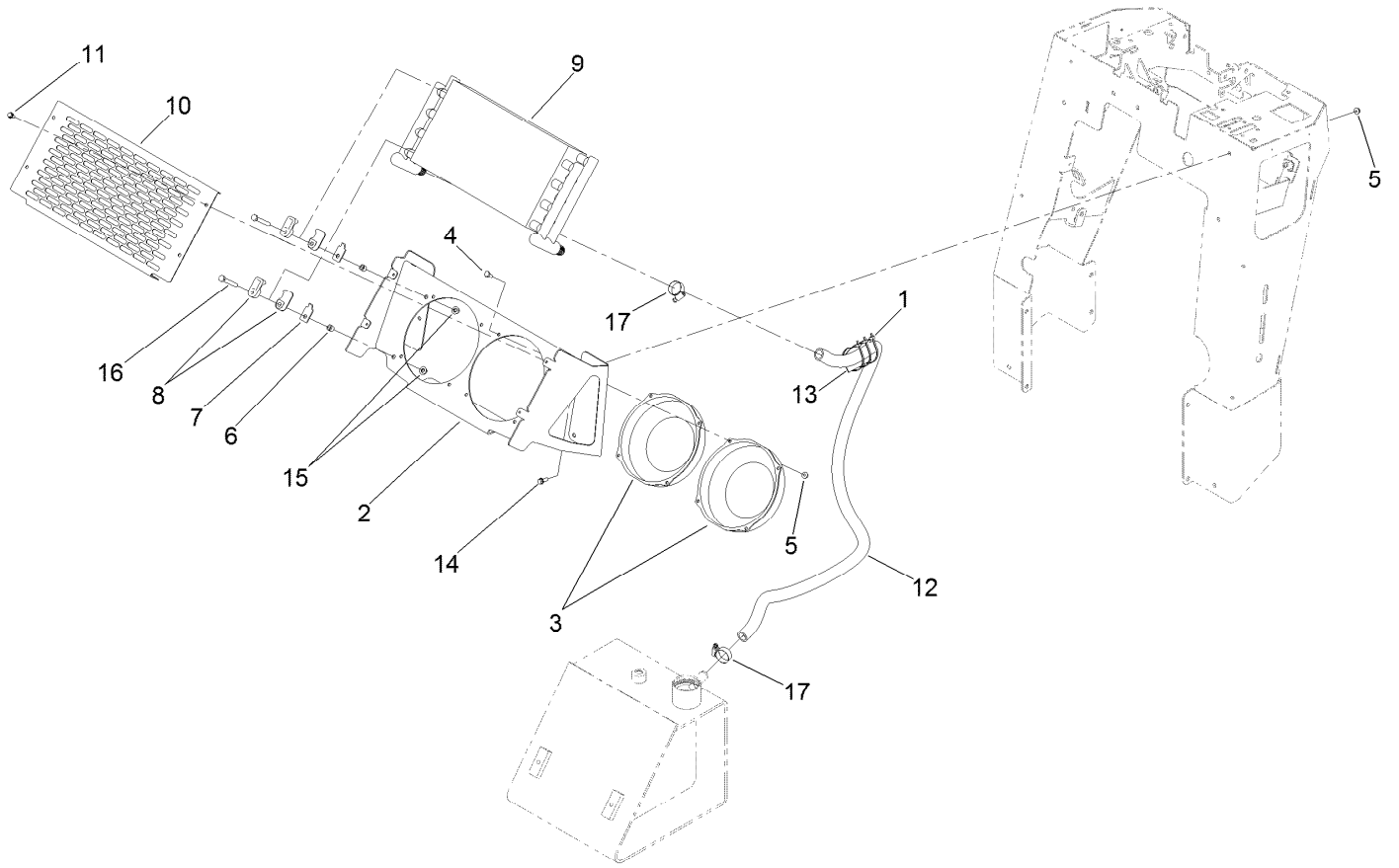
# Outlet Section Assembly No. 139-1347



# Outlet Section Assembly No. 139-1347 (continued)

| <i>Ref.</i> | <i>Part Number</i> | <i>Qty.</i> | <i>Description</i> |
|-------------|--------------------|-------------|--------------------|
| 1           | 140-1112           | 1           | Cover-Outlet       |
| 2           | 140-1111           | 1           | Plug               |
| 3           | 140-1114           | 6           | O-Ring             |

# Oil Cooler Assembly

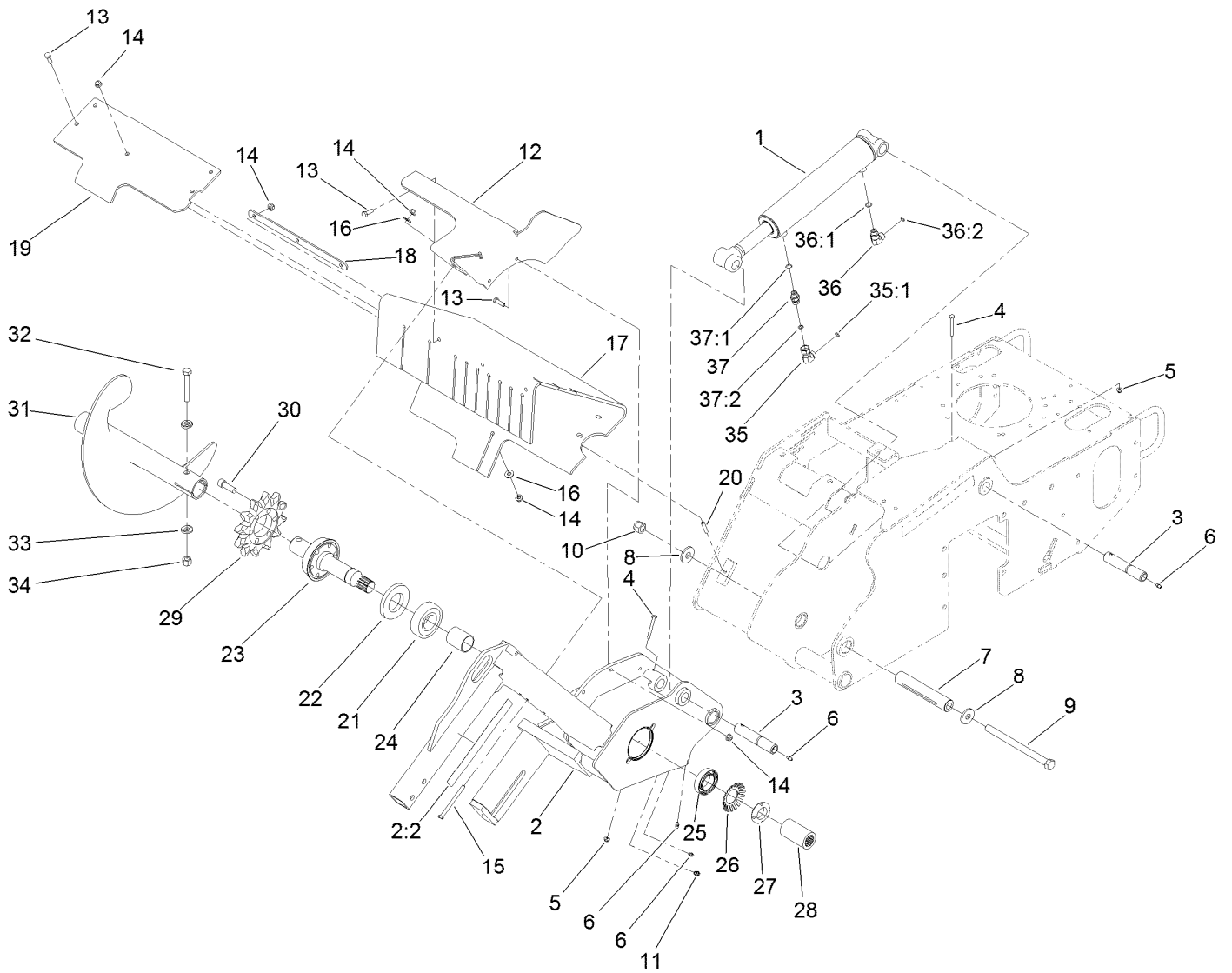




## Oil Cooler Assembly (continued)

| <i>Ref.</i> | <i>Part Number</i> | <i>Qty.</i> | <i>Description</i>   | <i>Ref.</i> | <i>Part Number</i> | <i>Qty.</i> | <i>Description</i> |
|-------------|--------------------|-------------|----------------------|-------------|--------------------|-------------|--------------------|
| 1           | 3290-379           | 3           | Tie-Cable            | 10          | 119-4633-01        | 1           | Cover-Cooler       |
| 2           | 115-9240-01        | 1           | Mount-Cooler         | 11          | 32144-4            | 4           | Screw-HWH          |
| 3           | 120-7390           | 2           | Fan                  | 12          | 138-3131           | 1           | Hose-Return        |
| 4           | 321-3              | 8           | Screw-HH             | 13          | AU112950           | 1           | Protector-Hose     |
| 5           | 104-7201           | 12          | Nut-HF               | 14          | 115-5103           | 4           | Screw-HHF          |
| 6           | 105-5723           | 4           | Spacer-Tube          | 15          | 104-8300           | 4           | Nut-HF, NI         |
| 7           | 131-0642           | 4           | Plate-Support, Clamp | 16          | 322-11             | 4           | Screw-HH           |
| 8           | 131-0733           | 8           | Clamp                | 17          | 2412-129           | 2           | Clamp-Hose         |
| 9           | 117-6320           | 1           | Cooler-Oil           |             |                    |             |                    |

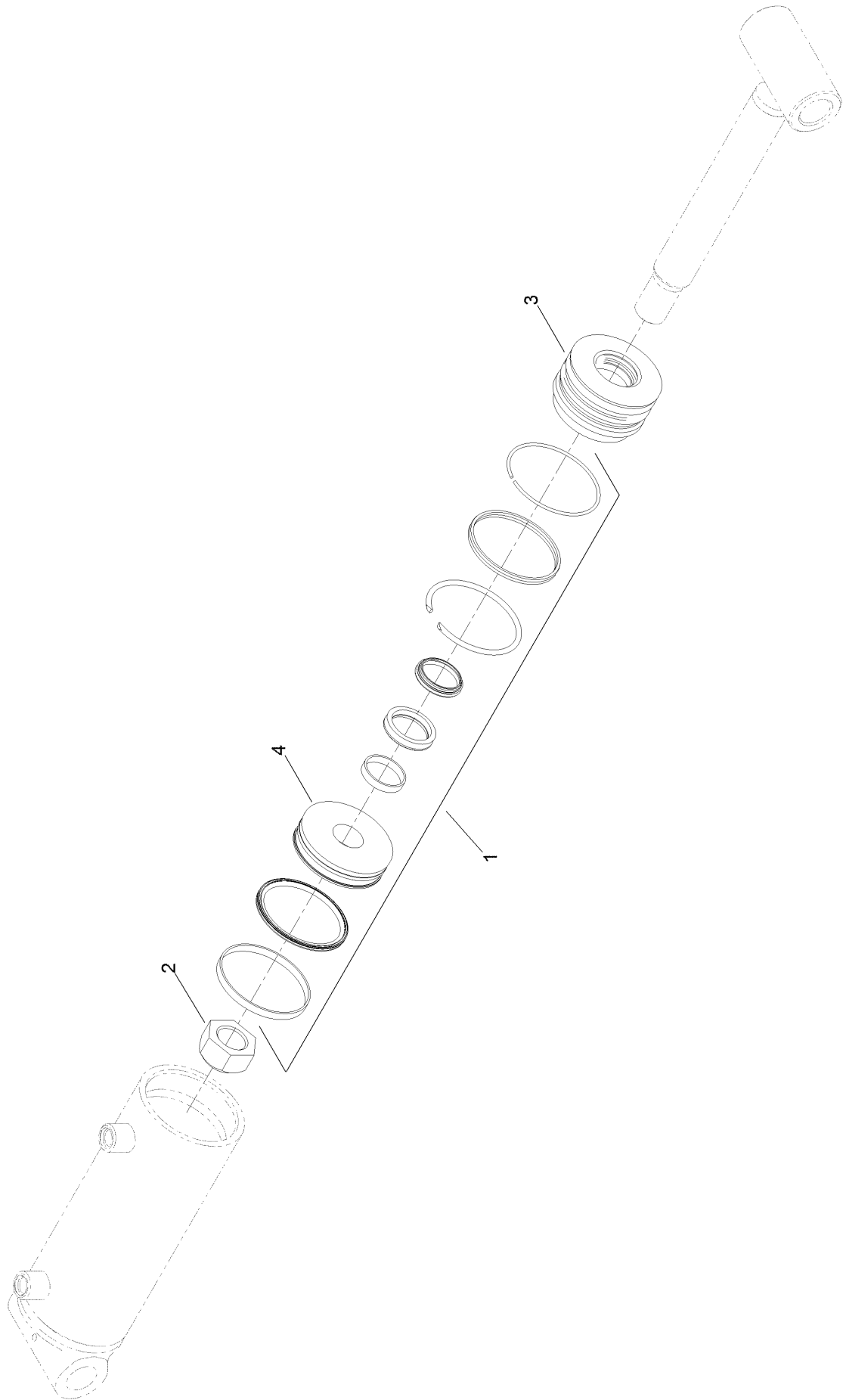
# Trencher Head and Lift Assembly



## Trencher Head and Lift Assembly (continued)

| <i>Ref.</i> | <i>Part Number</i> | <i>Qty.</i> | <i>Description</i>     | <i>Ref.</i> | <i>Part Number</i> | <i>Qty.</i> | <i>Description</i>    |
|-------------|--------------------|-------------|------------------------|-------------|--------------------|-------------|-----------------------|
| 1           | 137-3827           | 1           | Hydraulic Cylinder ASM | 22          | 114-2955           | 1           | Seal-Grease           |
| 2           | 117-6423           | 1           | Trencher Head ASM      | 23          | 117-6308           | 1           | Shaft-Trencher        |
| 2:2         | 99-9952            | 2           | Decal-Danger           | 24          | 112-4979           | 1           | Spacer                |
| 3           | 120-7352           | 2           | Pin-Pivot              | 25          | 111199             | 1           | Bearing-Ball          |
| 4           | 321-18             | 2           | Screw-HH               | 26          | 114-2956           | 1           | Lockwasher-Bearing    |
| 5           | 104-7201           | 2           | Nut-HF                 | 27          | 88-1450            | 1           | Locknut-Bearing       |
| 6           | 302-5              | 4           | Fitting-Grease         | 28          | 117-6315           | 1           | Collar-Splined        |
| 7           | 121-4571           | 1           | Spacer-Pivot           | 29          | 104-1964           | 1           | Sprocket-Trencher     |
| 8           | 104-9216           | 2           | Washer-Hardened        | 30          | 3274-4             | 6           | Screw-HSH             |
| 9           | 117-6327           | 1           | Bolt-HH                | 31          | 137-3737-03        | 1           | Auger-Trencher        |
| 10          | 3296-53            | 1           | Nut-Lock, NI           | 32          | 325-13             | 1           | Screw-HH              |
| 11          | 302-34             | 1           | Fitting-Lube           | 33          | 117-3479           | 2           | Washer-Saddle         |
| 12          | 115-1279-03        | 1           | Bracket-Shield         | 34          | 3296-23            | 1           | Nut-Lock, NI          |
| 13          | 322-5              | 8           | Screw-HH               | 35          | 340-159            | 1           | Elbow-90              |
| 14          | 104-8300           | 11          | Nut-HF, NI             | 35:1        | 237-22             | 2           | O-Ring                |
| 15          | 322-23             | 1           | Screw-HH               | 36          | 340-77             | 1           | Fitting-Elbow, 90 DEG |
| 16          | 3256-3             | 4           | Washer-Flat            | 36:1        | 237-22             | 1           | O-Ring                |
| 17          | 117-6317           | 1           | Shield-Dirt            | 36:2        | 237-42             | 1           | O-Ring                |
| 18          | 115-4001-03        | 1           | Plate-Strap, Shield    | 37          | 115-4081           | 1           | Valve-Check           |
| 19          | 117-6316-03        | 1           | Clamp-Bar              | 37:1        | 237-42             | 1           | O-Ring                |
| 20          | 115-4049           | 2           | Screw-HSH              | 37:2        | 237-22             | 1           | O-Ring                |
| 21          | 106-8871           | 1           | Bearing-Ball           |             |                    |             |                       |

# Hydraulic Cylinder Assembly No. 137-3827

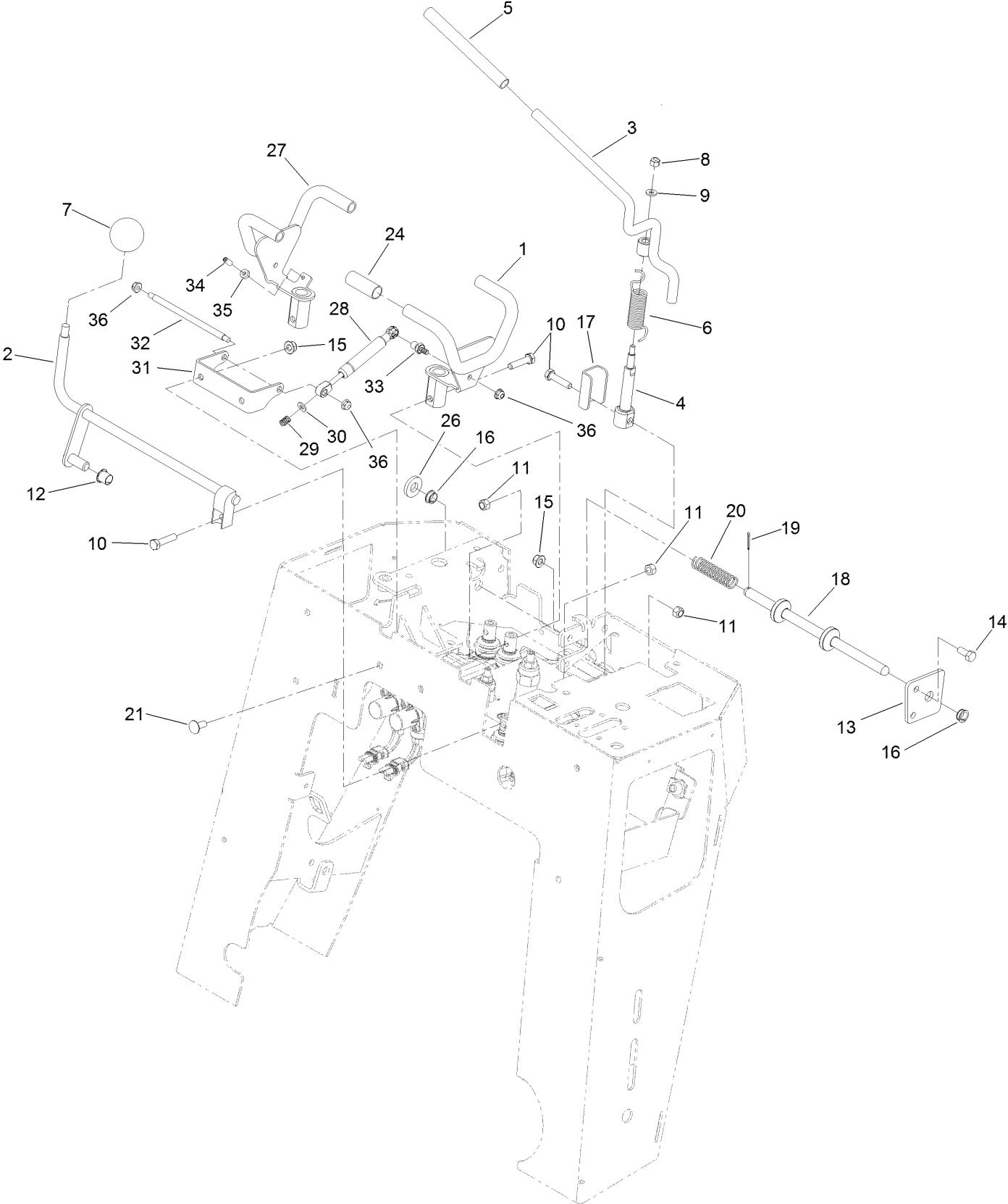


# Hydraulic Cylinder Assembly No. 137-3827 (continued)

| <i>Ref.</i> | <i>Part Number</i> | <i>Qty.</i> | <i>Description</i> |
|-------------|--------------------|-------------|--------------------|
| 1           | 138-7140           | 1           | Seal Kit           |
| 2           | 138-7141           | 1           | Nut-Hex            |

| <i>Ref.</i> | <i>Part Number</i> | <i>Qty.</i> | <i>Description</i> |
|-------------|--------------------|-------------|--------------------|
| 3           | 138-7142           | 1           | Head-Cylinder      |
| 4           | 138-7143           | 1           | Piston             |

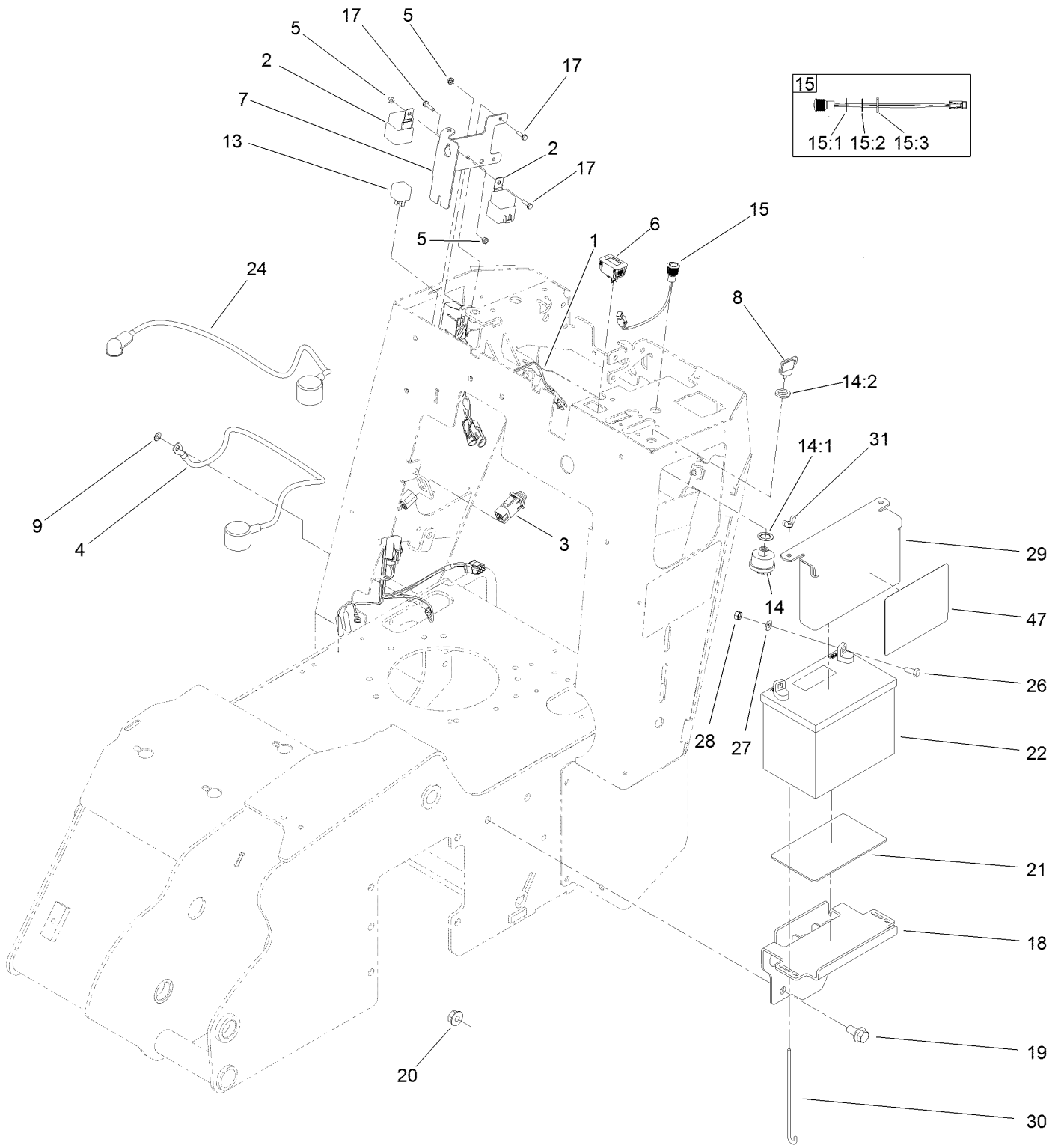
# Control Assembly



## Control Assembly (continued)

| <i>Ref.</i> | <i>Part Number</i> | <i>Qty.</i> | <i>Description</i>  | <i>Ref.</i> | <i>Part Number</i> | <i>Qty.</i> | <i>Description</i>  |
|-------------|--------------------|-------------|---------------------|-------------|--------------------|-------------|---------------------|
| 1           | 139-1303-03        | 1           | Handle-Traction, LH | 18          | 138-3127           | 1           | Rod-Lockout         |
| 2           | 139-1306           | 1           | Lever-Lift          | 19          | 3272-4             | 1           | Pin-Cotter          |
| 3           | 137-7651           | 1           | Lever-Auxiliary     | 20          | 95-4256            | 1           | Spring-Compression  |
| 4           | 137-7649           | 1           | Lever-Drive, Chain  | 21          | 3230-23            | 2           | Screw-CARR          |
| 5           | 138-3168           | 1           | Grip                | 24          | 139-1307           | 4           | Grip                |
| 6           | 112-2738           | 1           | Spring-Torsion      | 26          | 107-3395           | 1           | Washer-Hardened     |
| 7           | 233-21             | 1           | Knob                | 27          | 139-1305-03        | 1           | Handle-Traction, RH |
| 8           | 3296-42            | 1           | Nut-Lock, NI        | 28          | 139-1314           | 2           | Damper              |
| 9           | 3256-16            | 1           | Washer-Flat         | 29          | 139-1321           | 2           | Spring-Compression  |
| 10          | 33114-035          | 4           | Screw-HH            | 30          | 139-1323           | 2           | Washer-Spcl         |
| 11          | 33024-00           | 4           | Nut-Lock, NI        | 31          | 139-1299-03        | 1           | Bracket-Damper      |
| 12          | 256-257            | 1           | Bushing-Nyliner     | 32          | 139-1316           | 1           | Rod-Damper          |
| 13          | 138-3123-03        | 1           | Plate-Bushing       | 33          | 139-1315           | 2           | Stud-Ball           |
| 14          | 322-3              | 2           | Screw-HH            | 34          | 3245-3             | 2           | Screw-Set, Hs       |
| 15          | 104-8300           | 4           | Nut-HF, NI          | 35          | 3218-1             | 2           | Nut-Jam             |
| 16          | 116-1393           | 2           | Bushing             | 36          | 104-7201           | 4           | Nut-HF              |
| 17          | 138-3124           | 1           | Bracket-Lever       |             |                    |             |                     |

# Electrical Assembly

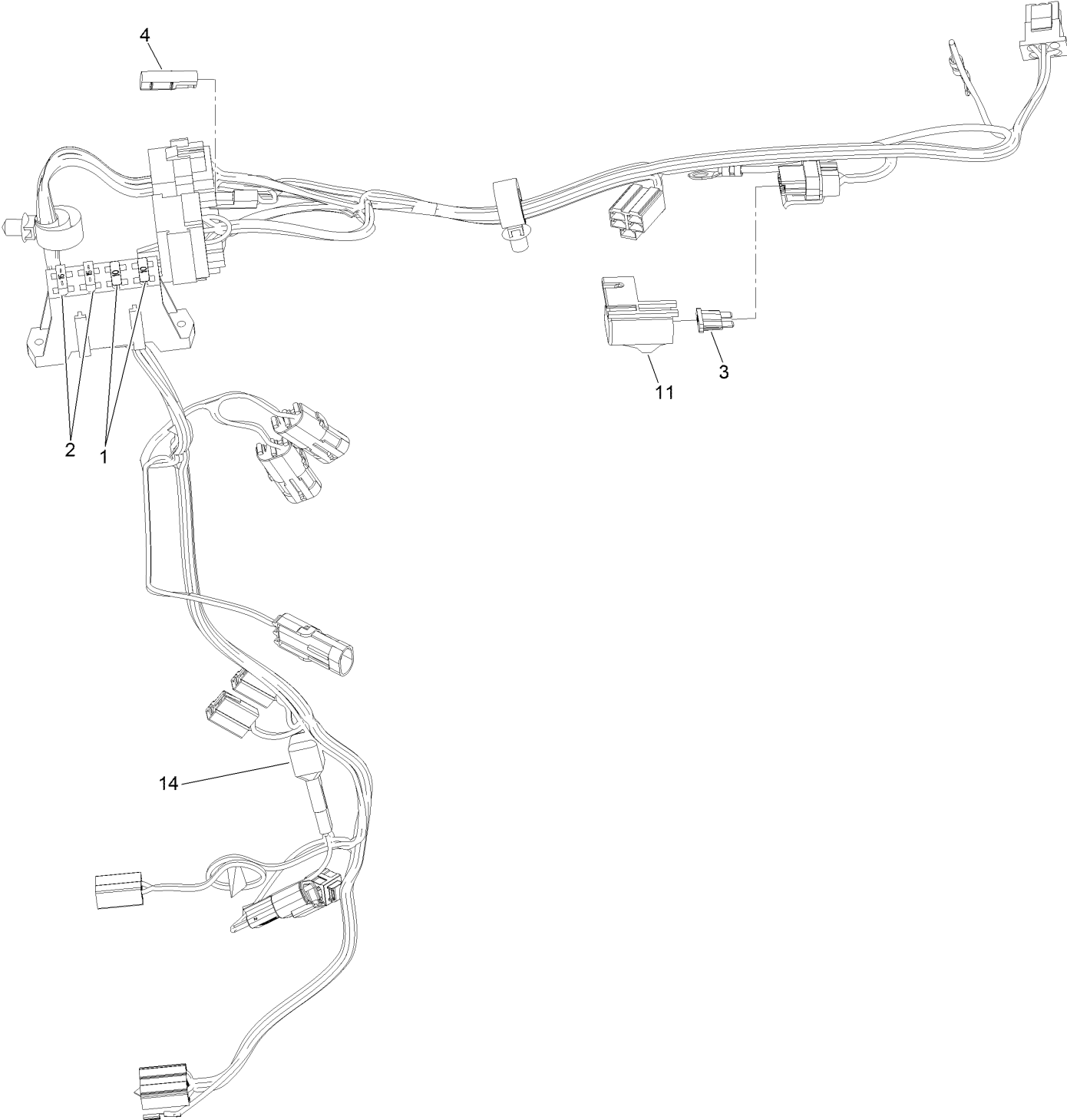




## Electrical Assembly (continued)

| <i>Ref.</i> | <i>Part Number</i> | <i>Qty.</i> | <i>Description</i>            | <i>Ref.</i> | <i>Part Number</i> | <i>Qty.</i> | <i>Description</i>       |
|-------------|--------------------|-------------|-------------------------------|-------------|--------------------|-------------|--------------------------|
| 1           | 137-7624           | 1           | Harness-Wire                  | 15:2        | 122-0633           | 1           | Washer-Locking           |
| 2           | 99-7430            | 2           | Relay-Mini                    | 15:3        | 122-0632           | 1           | Nut-Fixing               |
| 3           | 100-1268           | 1           | Switch-Plunger                | 17          | 3290-126           | 4           | Screw-HWH                |
| 4           | 138-3133           | 1           | Cable-Battery, Negative       | 18          | 138-3114-03        | 1           | Tray-Battery             |
| 5           | 3296-2             | 4           | Nut-Lock, NI                  | 19          | 3234-6             | 2           | Screw-HHF                |
| 6           | 120-2244           | 1           | Hourmeter                     | 20          | 32128-49           | 2           | Nut-HHF                  |
| 7           | 138-3104-03        | 1           | Bracket-Electrical            | 21          | 62-4300            | 1           | Pad-Skid, Anti           |
| 8           | 63-8360            | 1           | Key-Ignition                  | 22          | 104-8162           | 1           | Battery                  |
| 9           | 3255-7             | 1           | Washer-Lock/EXT               | 24          | 138-3134           | 1           | Cable-Battery, Positive  |
| 13          | 98-7249            | 1           | Relay                         | 26          | 322-3              | 2           | Screw-HH                 |
| 14          | 88-9830            | 1           | Key Switch ASM                | 27          | 3256-2             | 2           | Washer-Flat              |
| 14:1        | 3254-5             | 1           | Washer-Lock                   | 28          | 32149-1            | 2           | Nut-Keps                 |
| 14:2        | 218-461            | 1           | Nut-HH                        | 29          | 115-6621-03        | 1           | Plate-Hold Down, Battery |
| 15          | 122-0630           | 1           | Red LED Indicator Lamp<br>ASM | 30          | 1-633651           | 2           | Bolt-Holddown            |
| 15:1        | 122-0634           | 1           | Gasket-LED                    | 31          | 32103-22           | 2           | Nut-Wing                 |
|             |                    |             |                               | 47          | 138-7155           | 1           | Decal-Service            |

# Wire Harness Assembly No. 137-7624



## Wire Harness Assembly No. 137-7624 (continued)

| <i>Ref.</i> | <i>Part Number</i> | <i>Qty.</i> | <i>Description</i> | <i>Ref.</i> | <i>Part Number</i> | <i>Qty.</i> | <i>Description</i>  |
|-------------|--------------------|-------------|--------------------|-------------|--------------------|-------------|---------------------|
| 1           | 218-578            | 2           | Fuse-Blade, 10 Amp | 4           | 116-0053           | 1           | Cap-Plug            |
| 2           | 109355             | 2           | Fuse-Blade, 15 Amp | 11          | 32180-019          | 1           | Cover-Fuse, Single  |
| 3           | 109103             | 1           | Fuse-Blade, 30 Amp | 14          | 121-8891           | 1           | Resistor (1.6K Ohm) |

# Attachments and Accessories

## For 22984 TRX-300 Trencher

| <b>Product Name</b>                                | <b>Model/Part</b> |
|--|-------------------|
| 8in Chain Conversion Kit for 36in Soil Chain ..... | 117-3480          |
| Crumber Kit .....                                  | 22477             |
| 24in X 4in Soil Chain .....                        | 22480             |
| 24in X 4in Combination Chain .....                 | 22481             |
| 24in X 4in Rock Tooth Chain .....                  | 22482             |
| 24in X 6in Soil Chain .....                        | 22483             |
| 24in X 6in Combination Chain .....                 | 22484             |
| 24in X 6in Rock Tooth Chain .....                  | 22485             |
| 36in X 4in Soil Chain .....                        | 22486             |
| 36in X 4in Combination Chain .....                 | 22487             |
| 36in X 4in Rock Tooth Chain .....                  | 22488             |
| 36in X 6in Rock Tooth Chain .....                  | 22489             |
| 36in X 6in Soil Chain .....                        | 22490             |
| 36in X 6in Combination Chain .....                 | 22491             |
| 48in x 4in Soil Chain .....                        | 22492             |
| 48in x 4in Combination Chain .....                 | 22493             |
| 48in x 6in Soil Chain .....                        | 22494             |
| 48in x 6in Combination Chain .....                 | 22495             |
| 24in X 4in Bullet Chain .....                      | 22496             |
| 24in X 6in Bullet Chain .....                      | 22497             |
| 36in X 4in Bullet Chain .....                      | 22498             |
| 36in X 6in Bullet Chain .....                      | 22499             |
| 24in Trencher Boom .....                           | 22975             |
| 36in Trencher Boom .....                           | 22976             |
| 48in Trencher Boom .....                           | 22977             |
| Bore Drive Attachment .....                        | 22978             |
| Backfill Blade .....                               | 22980             |
| Spark Arrestor Screen .....                        | 94-8157           |

**Notes:**

**Notes:**

**Notes:**



**Count on it.**