



522

Snowthrower

Model No. 38051—210000001 and Up

Parts Catalog

Ordering Replacement Parts

To order replacement parts, please supply: the part number, the quantity, and the description of each part desired.

Understanding Reference Numbers

Each identified part in an illustration has a reference number. The reference number for a part also appears in the parts list, along with other information about the part.

This catalog uses two special reference number formats, one to indicate parts in a service assembly and another to indicate the quantity of a given part in an illustration.

Service Assembly Reference Numbers

Parts in service assemblies have reference numbers in the form **a:b**. The **a** represents the reference number of the entire service assembly and the **b** represents a sequential number unique to each part within the service assembly.

For example, a wheel assembly might be identified by reference number **6**, the tire by **6:1**, the valve by **6:2**, and the wheel by **6:3**. When you order the assembly identified by reference number **6**, you receive all parts identified by reference numbers **6:1**, **6:2**, and **6:3**. However, you may also order any part individually.

Reference numbers of this type appear in illustrations and in part lists.

Reference Numbers Indicating Quantity

In an illustration, if a reference number indicates more than one part, the reference number has the form **nX y**. The **n** represents the quantity of the part, the **X** is the multiplication symbol, and the **y** represents the reference number.

For example, in an illustration, the reference number **2X 37** means that two of the parts identified by reference number **37** are indicated.

Contents

Description	Page	Description	Page
Chute and Auger Assembly	3	Linkage and Traction Assembly	9
22" Gear Case Assembly No. 37-6962	4	Engine Tecumseh Model HSSK50-67401S	10
Traction Assembly	5	Rewind Starter No. 590742	14
Traction Assembly (Continued)	6	Starter Motor No. 33290E	15
Engine Assembly	7	Carburetor No. 640084A	16
Handle Assembly	8		

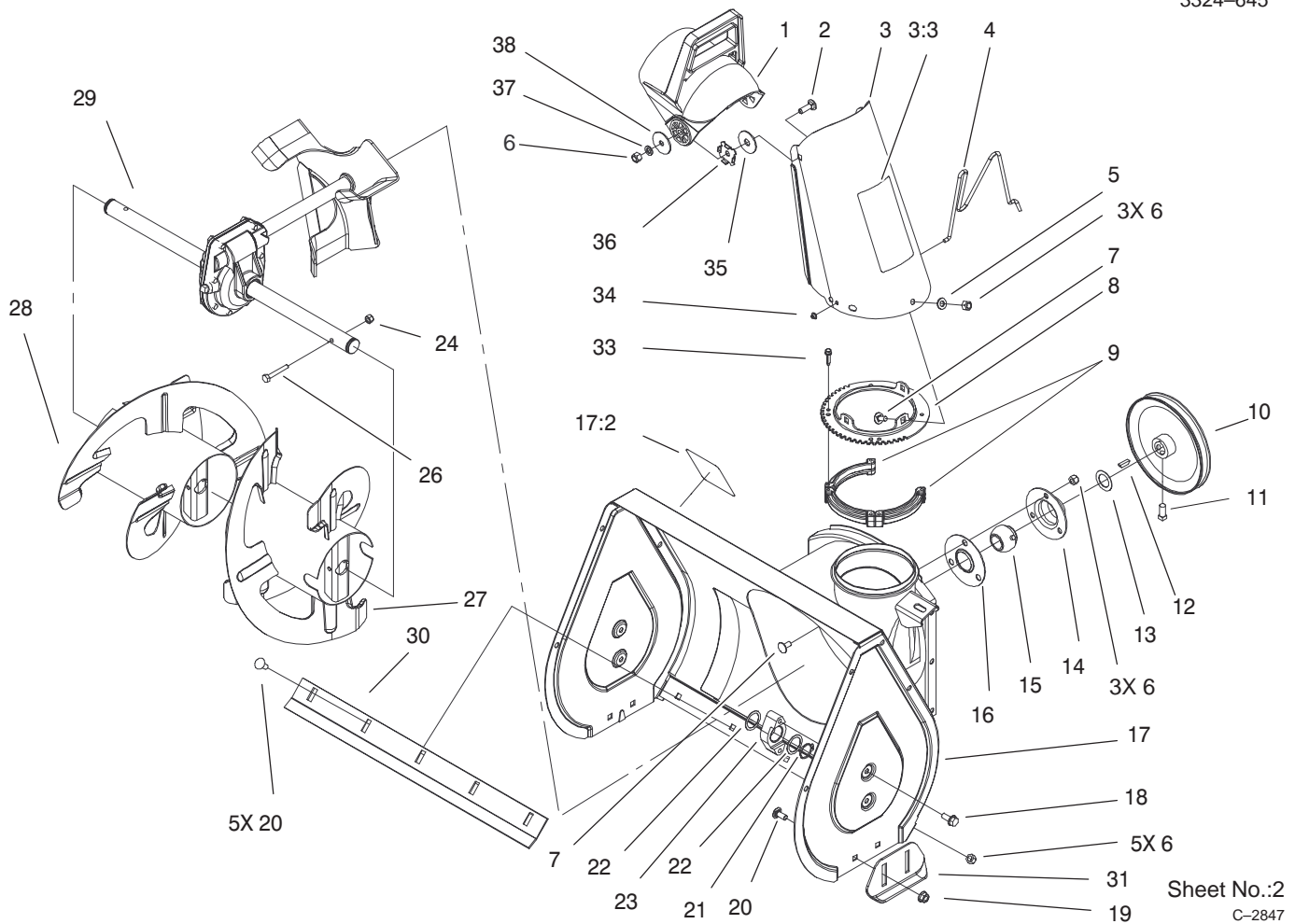
Accessories

Description	Model / Part No.	Description	Model / Part No.
110 Vac Electric Starter Kit	38036	Drift Breaker Kit	37-7022
Tire Chain Kit	56-2700	Snow Cab	88-0600

Part Description Abbreviations

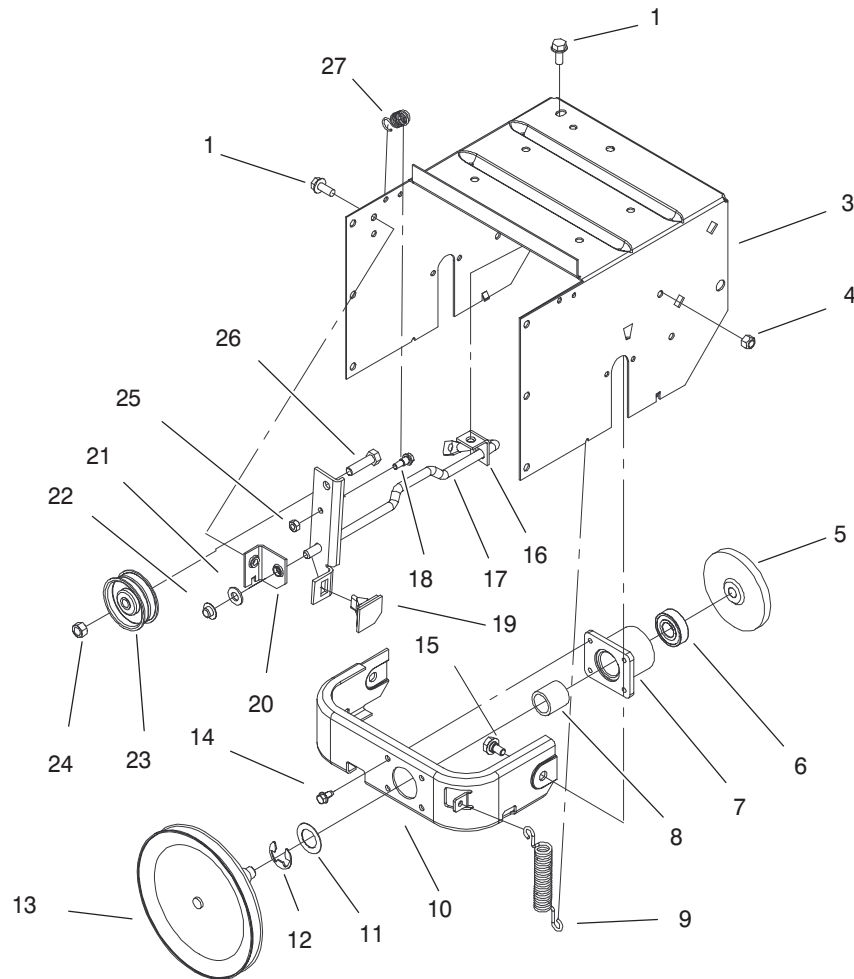
Part descriptions in this catalog may include the following abbreviations.

Abbreviation	Meaning	Abbreviation	Meaning
AR	as required	INC	incorporated
ASM	assembly	LH	left hand
CARR	carriage	NI	nylon insert
DEG	degrees	PPH	Phillips pan head
FH	flat head	PTH	Phillips truss head
GA	gauge	PTO	power take off
HF	hex flange	RH	right hand
HH	hex head	SFH	slotted fillister head
HHF	hex head flange	SHH	slotted hex head
HLH	hex lag head	SQH	square head
HJ	hex jam	SHWH	slotted hex washer head
HOC	height-of-cut	SPH	slotted pan head
HS	hex socket	SRH	slotted round head
HSBH	hex socket button head	STD	standard
HSFH	hex socket flat head	TAP	self tapping
HSH	hex socket head	TTH	Torx truss head
HWH	hex washer head	WH	wing head
HWHTF	hex washer head thread forming		

Sheet No.:2
C-2847

Chute and Auger Assembly

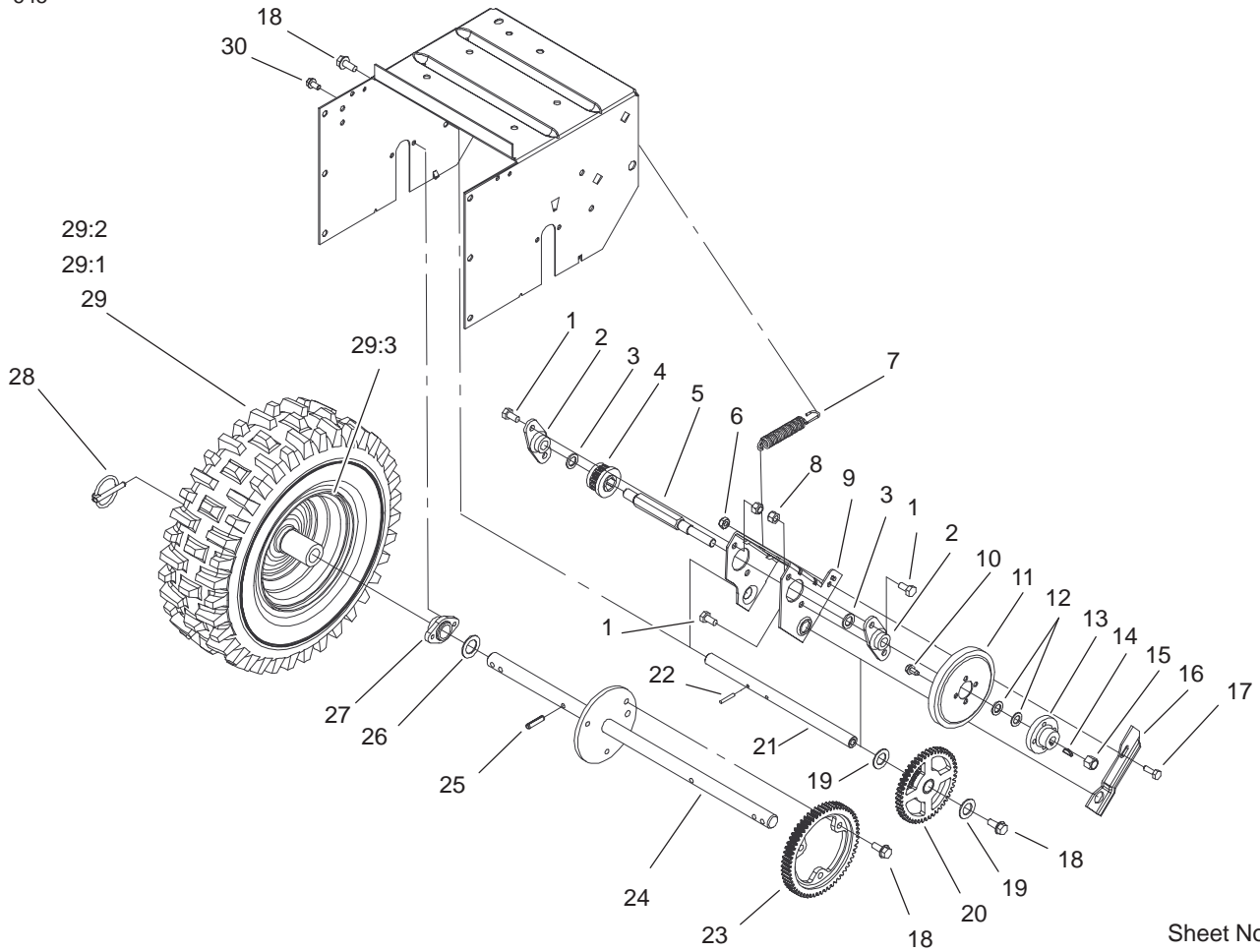
Ref. No.	Part No.	Qty.	Description	Ref. No.	Part No.	Qty.	Description
1	56-2680	1	Chute-Deflector	24	3296-42	2	Nut-Lock
2	3230-22	2	Screw-CARR	26	321-10	2	Screw-HH
3	94-2793	1	Chute ASM	27	39-1190-03	1	Auger, LH
3:3	94-8079	1	Decal-Danger	28	39-1180-03	1	Auger, RH
4	56-2670	1	Wire-Chute	29	37-6962	1	22" Gear Case ASM
5	3256-23	3	Washer-Flat	30	100-5476-01	1	Blade-Scraper
6	3296-29	13	Nut-Lock	31	40-8160-01	2	Skid
7	3230-18	6	Screw-CARR	33	27-0220	6	Screw-Special
8	37-8941-03	1	Ring-Chute	34	3290-326	1	Nut-Push
9	37-6490	3	Ring-Chute, Retainer	35	20-4320	2	Washer-Rubber
10	37-6890	1	Pulley	36	55-8950	2	Plate-Friction
11	3242-4	2	Screw-SQH Set	37	3290-456	2	Washer-Belleville
12	3257-23	1	Key-Woodruff	38	3256-68	2	Washer-Flat
13	3-0737	1	Washer				
14	26-6110	1	Flange-Cup, Bearing				
15	63-3450	1	Bearing-Ball				
16	26-6120	1	Flange-Cup, Bearing				
17	100-5499	1	Auger Housing ASM [Service]				
17:2	53-7670	1	Decal-Warning, Auger				
18	32144-70	4	Screw-HH				
19	32128-20	4	Nut-HF				
20	3230-1	9	Screw-CARR				
21	32151-36	2	Ring-Retaining				
22	5-1550	4	Washer				
23	37-6550	2	Bearing-Auger				



Sheet No.:3

Traction Assembly

Ref. No.	Part No.	Qty.	Description	Ref. No.	Part No.	Qty.	Description
1	32144-70	2	Screw-HH	26	323-29	1	Screw-HH
3	37-8900-01	1	Frame-Traction	27	53-7570	1	Spring
4	3296-29	2	Nut-Lock				
5	38-0800	1	Plate-Friction				
6	38-7820	1	Bearing-Ball				
7	88-0560	1	Hub-Frame, Traction				
8	256-322	1	Bushing				
9	37-8870	1	Spring-Plate,Friction				
10	88-0550-03	1	Frame-Front				
11	252-80	1	Bearing-Thrust				
12	32151-103	1	Ring-Snap				
13	88-0850	1	Pulley & Drive ASM				
14	32144-4	4	Screw				
15	37-8770	2	Bolt-Shoulder				
16	37-9070	1	Bracket-Mount Clutch, Rear				
17	40-6511-03	1	Rod-Clutch, Auger				
18	42-3560	1	Bolt-Shoulder				
19	66-8060	1	Pad-Brake				
20	66-6790	1	Bracket-Mount Clutch, Front				
21	3256-24	1	Washer-Flat				
22	3290-320	1	Retainer-Push On				
23	3-4244	1	Pulley-Idler				
24	3296-59	1	Nut-Lock NI				
25	3296-56	1	Nut-Lock NI				

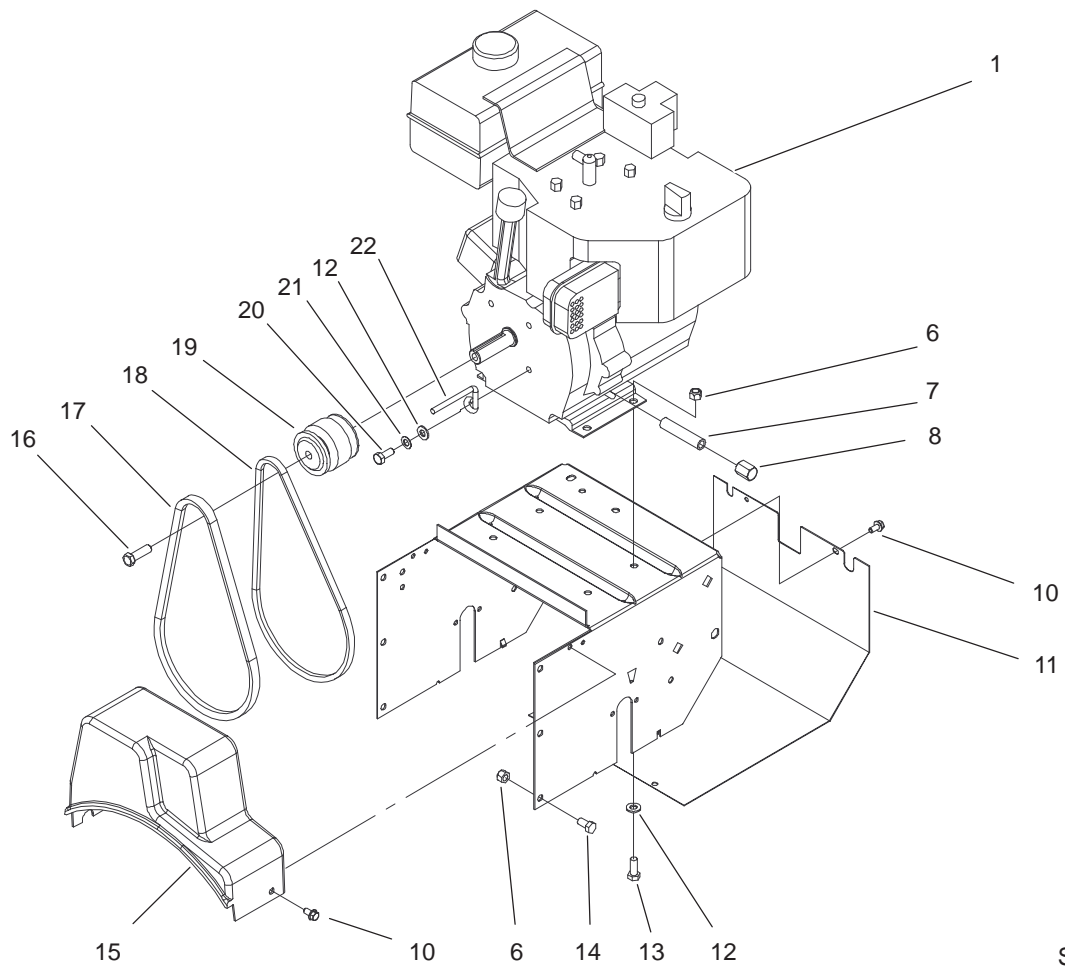


Sheet No.:4

Traction Assembly (Continued)

Ref. No.	Part No.	Qty.	Description
1	322-2	4	Screw-HH
2	20-1620	2	Bearing-Wheel, Friction
3	5-7570	2	Washer-Flat
4	37-6500	1	Pinion
5	37-6780	1	Shaft-Wheel, Friction
6	3296-16	1	Nut-Lock
7	37-8880	1	Spring-Traction
8	3296-29	4	Nut-Lock
9	39-1230	1	Bracket-Sliding
10	32144-4	4	Screw
11	37-6570	1	Wheel-Friction
12	36-4790	2	Washer-Thrust
13	39-1520	1	Hub-Wheel, Friction
14	3257-24	1	Key-Woodruff
15	3296-48	1	Nut-Lock NI
16	39-1250	1	Cam-Receiver
17	321-4	1	Screw-HH
18	32144-70	5	Screw-HH
19	10-9280	2	Washer-Special
20	37-9160	1	Int. Gear/Bushing ASM
21	37-6760	1	Shaft-Pivot
22	32121-45	2	Pin-Spring
23	37-6520	1	Gear-Axle
24	74-1350	1	Shaft-Axle
25	32121-31	2	Pin-Spring

Ref. No.	Part No.	Qty.	Description
26	3-8664	2	Washer-Thrust
27	37-6850	2	Bearing-Axle
28	3290-243	2	Pin-Lynch
29	67-9221	2	Wheel And Tire ASM
29:1	231-120	1	Tire
29:2	232-46	1	Tube
29:3	241-131	1	Rim-Wheel
30	32144-4	4	Screw-HH

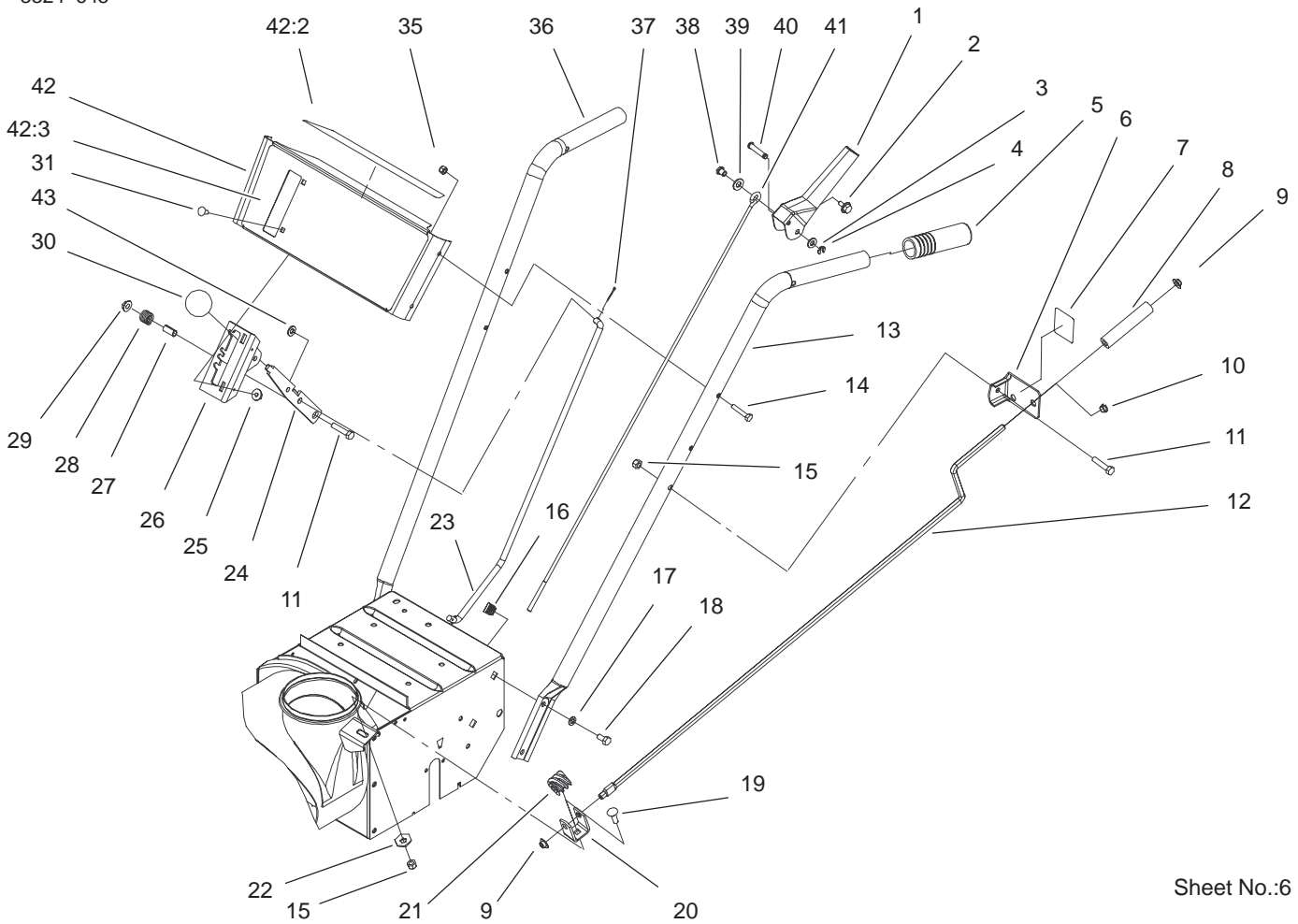


Sheet No.: 5

Engine Assembly

Ref. No.	Part No.	Qty.	Description	Ref. No.	Part No.	Qty.	Description
‡1		1	Engine-5hp, Tecumseh Hssk50-67401s				
6	3296-29	10	Nut-Lock				
7	49-3040	1	Pipe-Nipple				
8	281-7	1	Cap-Pipe				
10	32144-4	6	Screw-HH				
11	37-6830-01	1	Cover-Traction, Lower				
12	3256-23	5	Washer-Flat				
13	322-7	4	Screw-HH				
14	322-2	6	Screw-HH				
15	37-6900	1	Cover - Belt				
16	43-7290	1	Screw-Special				
17	37-9080	1	V-Belt				
18	37-9090	1	V-Belt				
19	43-7370	1	Pulley-Engine				
20	3210-3	1	Screw-HH				
21	3255-8	1	Washer-Lock/Ext				
22	37-8990	1	Retainer-Belt				

‡ Obtain locally.



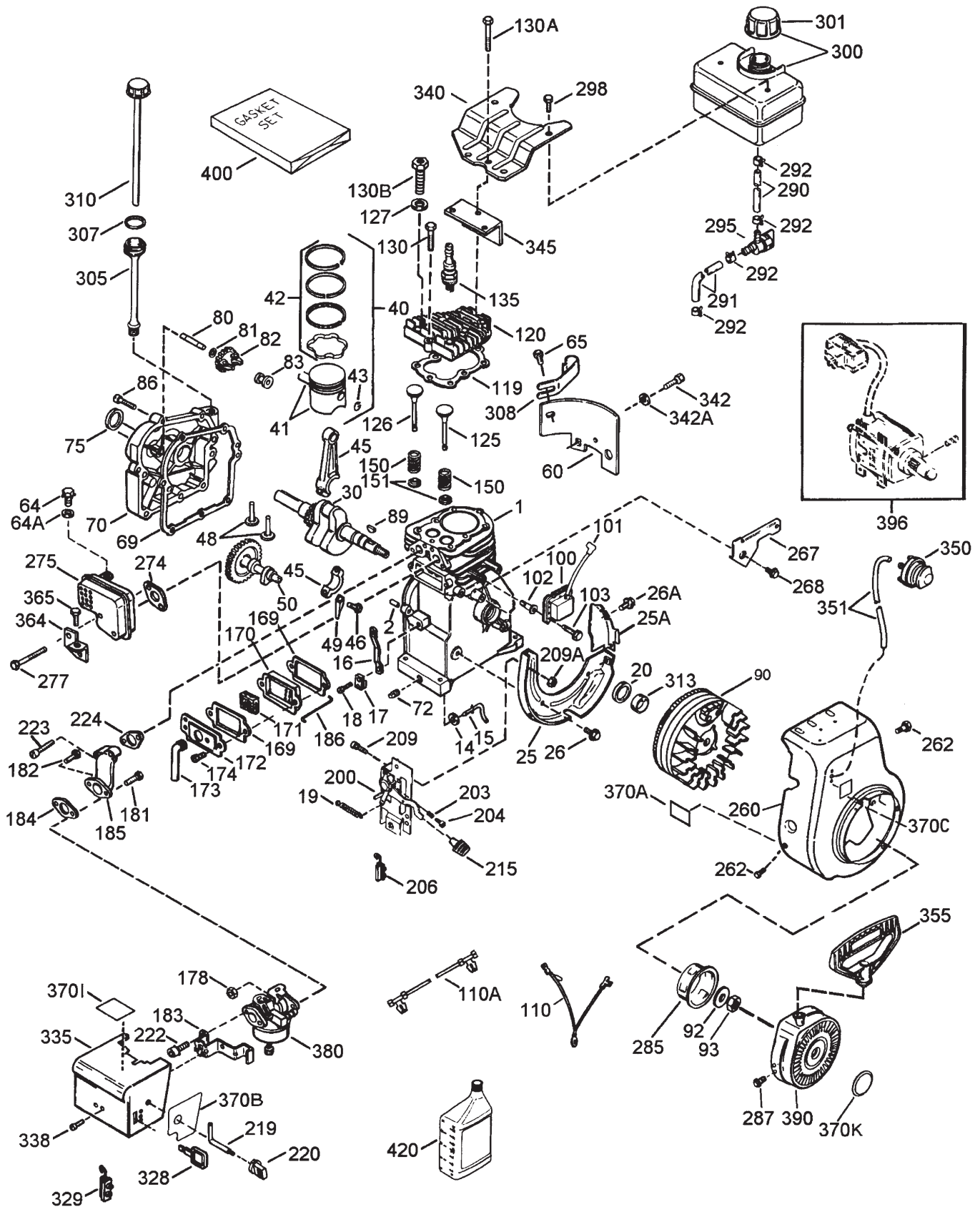
Sheet No.:6

Handle Assembly

Ref. No.	Part No.	Qty.	Description
1	63-3640	2	Handle-Control
2	3234-13	2	Screw-HHF
3	3256-23	2	Washer-Flat
4	32151-73	2	Ring-Clip
5	74-1360	2	Grip-Handle
6	25-6090	1	Bracket-Rod, Chute
7	63-3510	1	Decal - Chute Direction
8	40-8230	1	Grip-Chute Control
9	3290-320	2	Retainer-Push On
10	256-249	1	Bushing
11	322-7	2	Screw-HH
12	40-8270	1	Rod-Control, Chute
13	52-5571-03	1	Handle-Left
14	321-9	4	Screw-HH
15	3296-29	2	Nut-Lock
16	3290-196	4	Nut
17	3290-456	4	Washer-Belleville
18	322-2	4	Screw-HH
19	3230-22	1	Screw-CARR
20	40-8280	1	Bracket-Worm
21	40-8250	1	Gear-Worm, Chute
22	3290-238	1	Washer-Lock
23	39-7570	1	Rod-Selector, Speed
24	37-8820-03	1	Selector-Speed
25	32128-33	2	Nut-HF

Ref. No.	Part No.	Qty.	Description
26	39-1280-03	1	Mount-Selector, Speed
27	40-8130	1	Spacer
28	37-9150	1	Spring
29	32128-13	1	Nut-Hex Flange
30	233-21	1	Knob
31	3229-11	2	Screw-CARR
35	3296-42	4	Nut-Lock
36	52-5561-03	1	Handle-Right
37	3272-4	1	Pin-Cotter
38	47-4990	2	Post-Linkage Mounting
39	3256-24	2	Washer-Flat
40	52-5600	2	Pin-Lever, Control
41	52-5590	2	Link-Upper
42	100-3565	1	Escutcheon Panel ASM
42:2	99-3214	1	Decal-Escutcheon Back
42:3	100-3332	1	Decal - Escutcheon
43	3256-23	1	Washer-Flat

Engine Tecumseh Model HSSK50-67401S



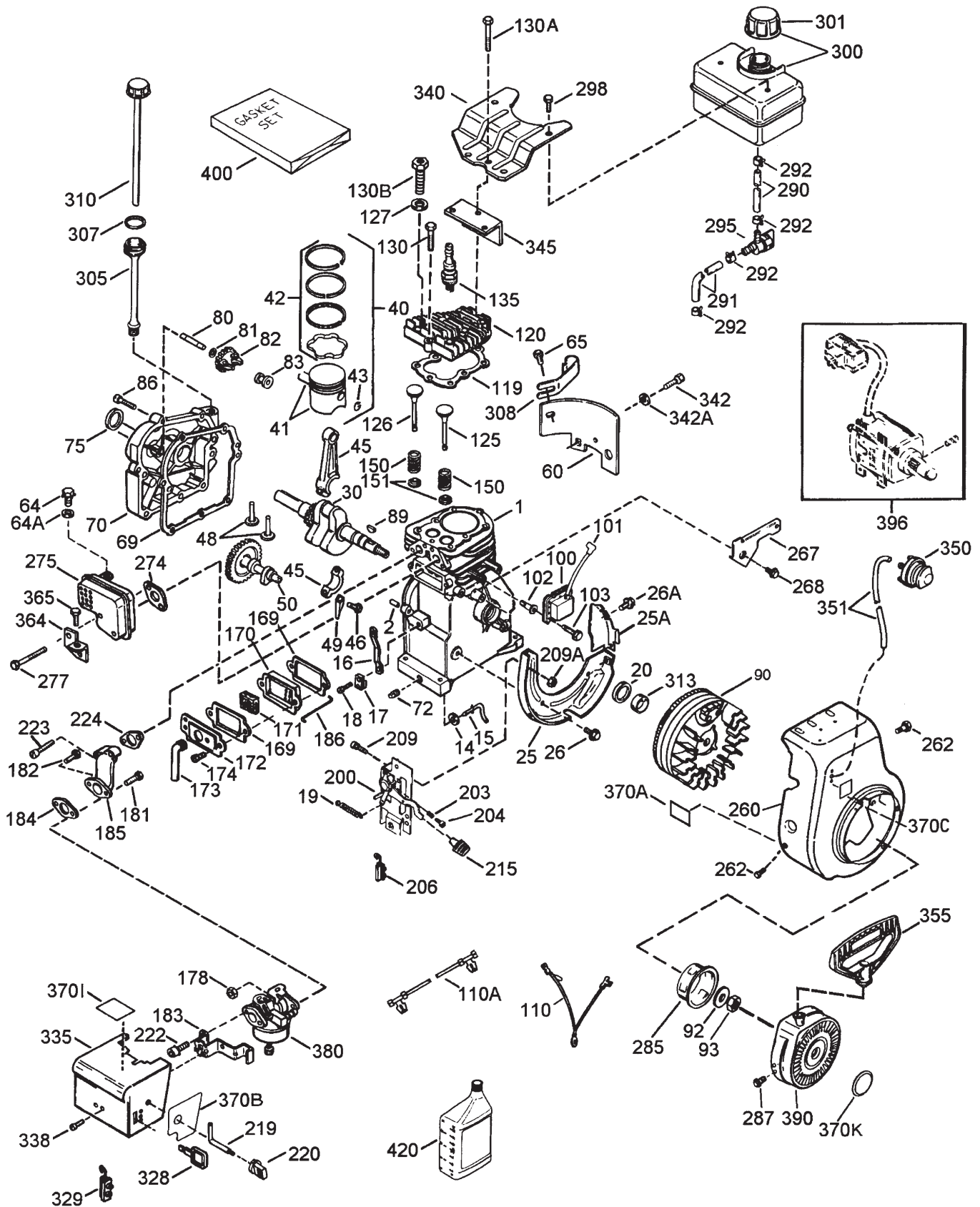
Engine Tecumseh Model HSSK50-67401S

Ref. No.	Part No.	Qty.	Description	Ref. No.	Part No.	Qty.	Description
1	36469A	1	Cylinder Assembly (Incl. Ref. #2, 20, 72 & 125)	86	650488	7	Screw – Hex Hd.
2	26727	2	Pin – Dowel	89	610961	1	Key– Flywheel
14	28277	1	Washer – Flat	90	611199	1	Flywheel – w/Ring Gear
15	31334	1	Rod – Governor	92	650815	1	Washer – Belleville
16	31510	1	Lever – Governor	93	650816	1	Nut – Flywheel
17	31335	1	Clamp – Governor Lever	100	34443B	1	Solid State Assembly
18	651018	1	Screw – Torx	101	610118	1	Cover – Spark Plug
19	31426	1	Spring – Extension	102	651024	2	Stud
20	32600	1	Seal – Oil	103	651007	2	Screw – Torx
25	36552	1	Baffle – Blower Housing	110	35182	1	Wire – Ground
25A	35883	1	Extension – Baffle	110A	36874	1	Ground Wire
26	650802	2	Screw – Hex Washer Hd.	119	*36443	1	Gasket – Cylinder Head
26A	650926	1	Screw	120	36441	1	Head – Cylinder (Incl. Ref. #131)
30	34740	1	Crankshaft Assembly	125	36471	1	Valve – Exhaust Standard (Incl. Ref. #151)
40	36073	1	Piston – Pin & Ring Asm.. Standard		36472	1	Valve – Exhaust 1/32” oversize (Incl. Ref. #151)
	36074	1	Piston – Pin & Ring Asm. .010” oversize	126	32644A	1	Valve – Intake Standard (Incl. Ref. #151)
	36075	1	Piston – Pin & Ring Asm. .020” oversize		32645A	1	Valve – Intake 1/32” oversize (Incl. Ref. #151)
41	36070	1	Piston & Pin Asm.. Standard (Incl. Ref. #43)	127	650691	1	Washer – Flat
	36071	1	Piston & Pin Assembly .010” oversize (Incl. Ref. #43)	130	6021A	2	Screw – Hex Flange Hd.
	36072	1	Piston & Pin Assembly .020” oversize (Incl. Ref. #43)	130A	650694A	5	Screw – Hex Flange Hd.
42	36076	1	Ring Set – Piston Std.	130B	650818	1	Screw – Special
	36077	1	Ring Set – Piston .010” oversize	135	35395	1	Plug – Spark (Champion RJ-19LM or equivalent)
	36078	1	Ring Set – Piston .020” oversize	150	31672	2	Spring – Valve
43	20381	2	Ring – Piston Pin Retaining	151	31673	2	Cap – Valve Spring
45	32875A	1	Connecting Rod Assembly (Incl. Ref. #46 & 49)	169	*27234A	2	Gasket – Valve Cover
46	32610A	2	Bolt – Connecting Rod	170	27666	1	Body – Valve Cover
48	27241	2	Lifter – Valve	171	31410	1	Element – Valve Body
49	32654	1	Dipper – Oil	172	34146	1	Cover – Breather
50	33158	1	Camshaft	173	35350	1	Tube – Breather
60	29745	1	Extension – Blower	174	650783	2	Screw – Hex Hd.
64	30063	1	Screw – Hex Washer Hd.	178	29752	2	Nut & Lockwasher
64A	8345	1	Washer – Flat	181	650870	1	Screw – Hex Hd.
65	650128	1	Screw – Hex Hd.	182	6201	1	Screw – Hex Hd.
69	*27677A	1	Gasket – Cylinder Cover	183	34583A	1	Bracket – Choke
70	34674C	1	Cover – Cylinder (Incl. Ref. #75 & 80)	184	*26756	1	Gasket – Carburetor
72	27642	2	Plug – Pipe	185	33691	1	Pipe – Intake
75	27897	1	Seal – Oil	186	32698	1	Link – Governor to Throttle
80	30574A	1	Shaft – Governor	200	36677	1	Control Assembly (Incl. Ref.# 203, 204, 206, 209 & 209A)
81	30590A	1	Washer – Flat	203	31342	1	Spring – Compression
82	30591	1	Gear – Governor (Incl. Ref. #81)	204	651029	1	Screw – Fil. Hd.
83	30588A	1	Spool – Governor	206	610973	1	Terminal Assembly
				209	650139	2	Screw
				209A	30322	2	Lock Nut
				215	35440	1	Knob – Speed Control
				219	34582	1	Rod – Choke
				220	35438	1	Knob – Choke Control
				222	28820	2	Screw – Fil. Hd.
				223	650664	2	Screw – Fil Hd.
				224	*33673A	1	Gasket – Intake

Note: Order individual parts from your local Tecumseh dealer.

* Indicated Parts included in Gasket Set Ref.#400

Engine Tecumseh Model HSSK50-67401S

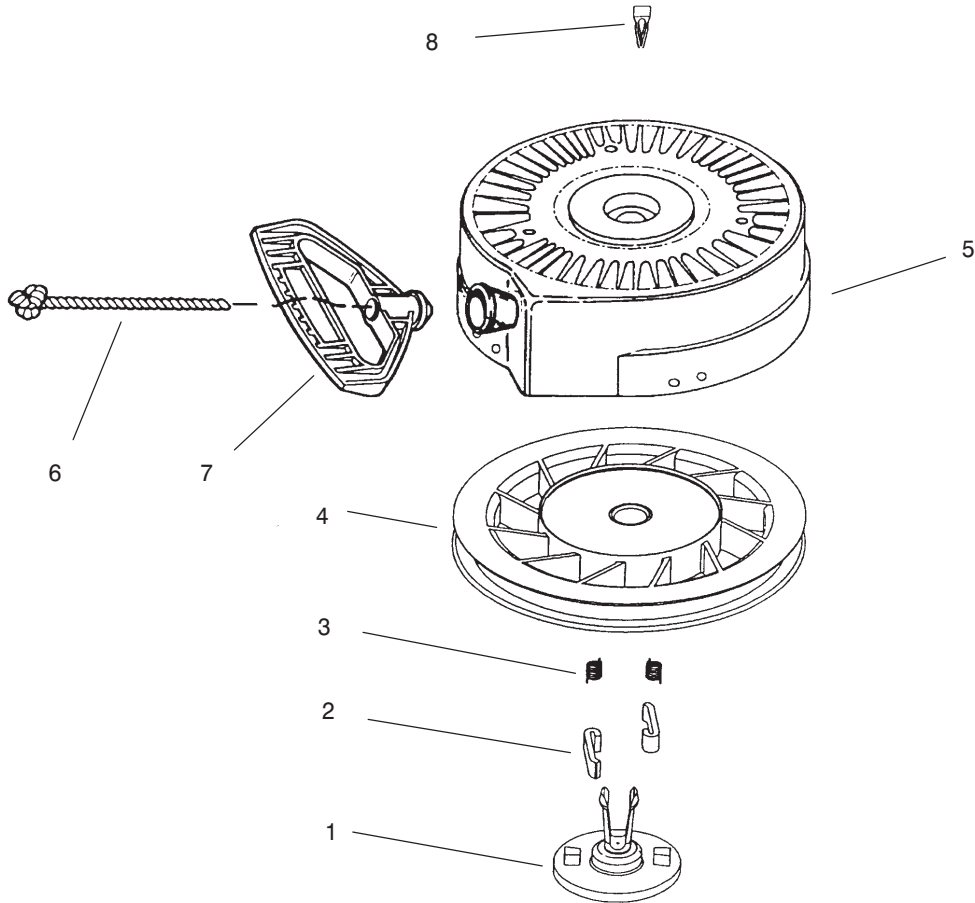


Engine Tecumseh Model HSSK50-67401S (Continued)

Ref. No.	Part No.	Qty.	Description	Ref. No.	Part No.	Qty.	Description
260	35656A	1	Housing – Blower				
262	650737	2	Screw – Hex Hd.				
267	34212	1	Bracket – Hold Down				
268	30200	1	Screw – Hex WashersHd.				
274	*33670A	1	Gasket – Exhaust				
275	35771	1	Muffler (Incl. Ref.# 274)				
277	650327	2	Screw – Fil. Hd.				
285	36467A	1	Cup – Starter				
287	650926	2	Screw – Hex Washer Hd.				
290	30705	1	Line – Fuel				
291	29774	1	Line – Fuel				
292	26460	4	Clamp – Fuel Line				
295	35857	1	Valve – Shut-Off				
298	650665	2	Screw – Hex Washer Hd.				
300	35584	1	Tank Assembly – Fuel (Incl. Ref. #292 & 301)				
301	36246	1	Cap – Fuel Tank				
305	35554	1	Tube Asm.. – Oil Fill				
307	35499	1	”O” Ring				
308	35539	1	Clip – Oil Fill				
310	35556	1	Dipstick				
313	34080	1	Spacer – Flywheel Key				
328	35062	2	Ignition Key				
329	610973	1	Terminal				
335	35072	1	Cover – Carburetor				
338	650257	2	Screw – Pan Hd.				
340	36247	1	Plate – Fuel Tank				
342	30063	1	Screw w/Belleville Washer				
342A	650675	1	Washer – Flat				
345	33344	1	Baffle – Heat				
350	570682A	1	Primer Assembly				
351	32180C	1	Line – Primer				
355	590574	1	Handle – Starter				
364	33333	1	Carburetor Cover Bracket				
365	650735	1	Screw				
370A	36261	1	Decal – Lubrication				
370B	35282	1	Control Decal				
370C	36501	1	Primer Decal				
370I	37119	1	Warning Decal				
370K	36695	1	Starter Decal				
380	640084A	1	Carburetor (Incl. Ref. #184)				
390	590742	1	Starter – Rewind				
396	33290E	1	Electric Starter Kit (110 V) (Optional)				
400	36444	1	Gasket Set (Incl. Parts Marked *) (26756 (1), 27234A (2), 27272A (1), 27677A (1) 29673 (1), 36443 (1), 33670A (1), 33673A (1)				
420	730226	1	Oil – 4 Cycle SAE 5W30 (Quart)				

Note: Order individual parts from your local Tecumseh dealer.

* Indicated Parts included in Gasket Set Ref.#400

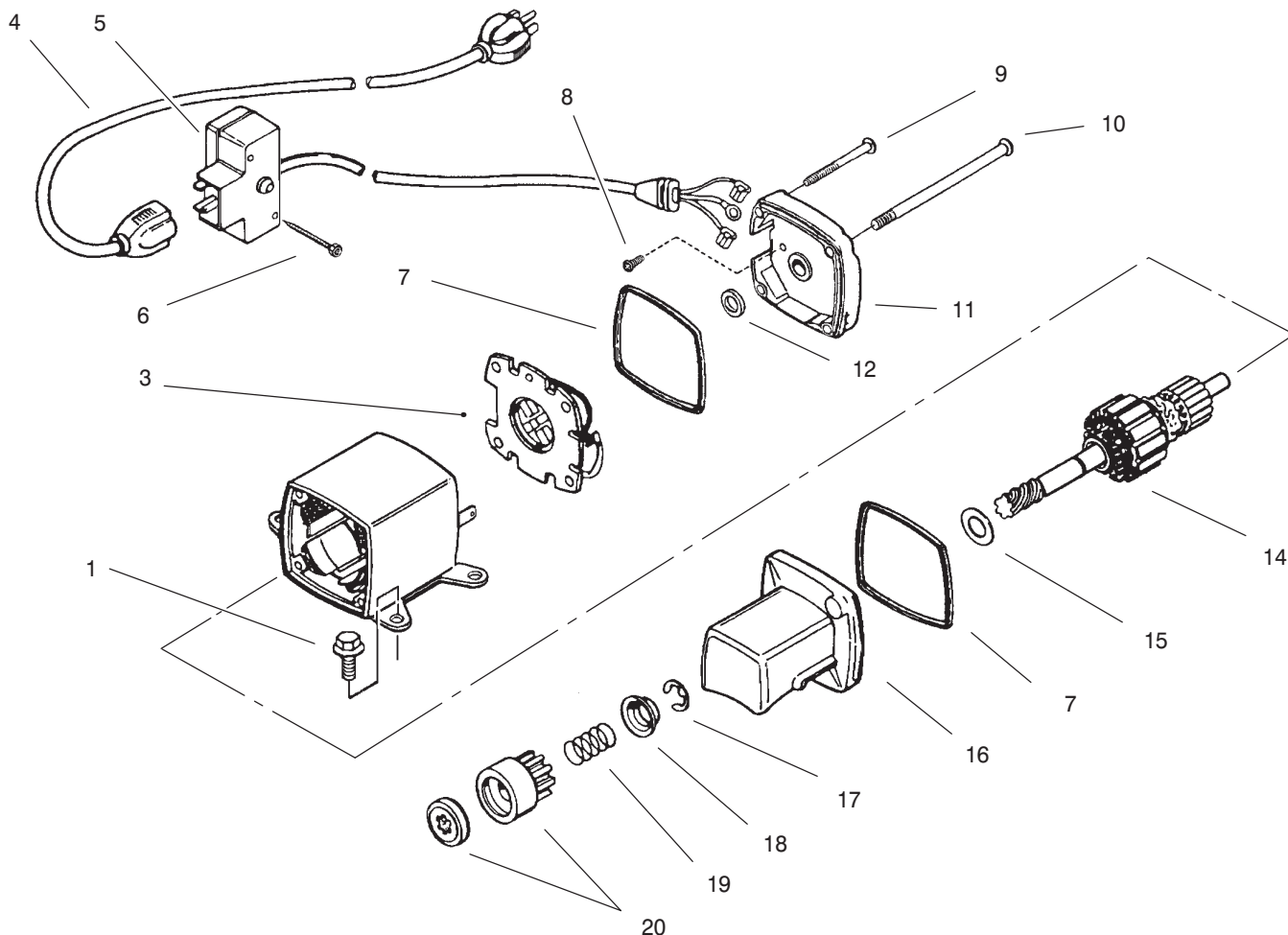


Rewind Starter No. 590742

Ref. No.	Part No.	Qty.	Description
1	590740	1	Retainer
2	590616	2	Starter Dog
3	590617	2	Dog Spring
4	590645A	1	Pulley & Rewind Spring Asm.
5	590647	1	Starter Housing Asm.
6	590535	1	Starter Rope
7	590574	1	Mitten Grip Handle
8	590741	1	Locking Tab

Ref. No.	Part No.	Qty.	Description

Note: Order individual parts from your local Tecumseh dealer.



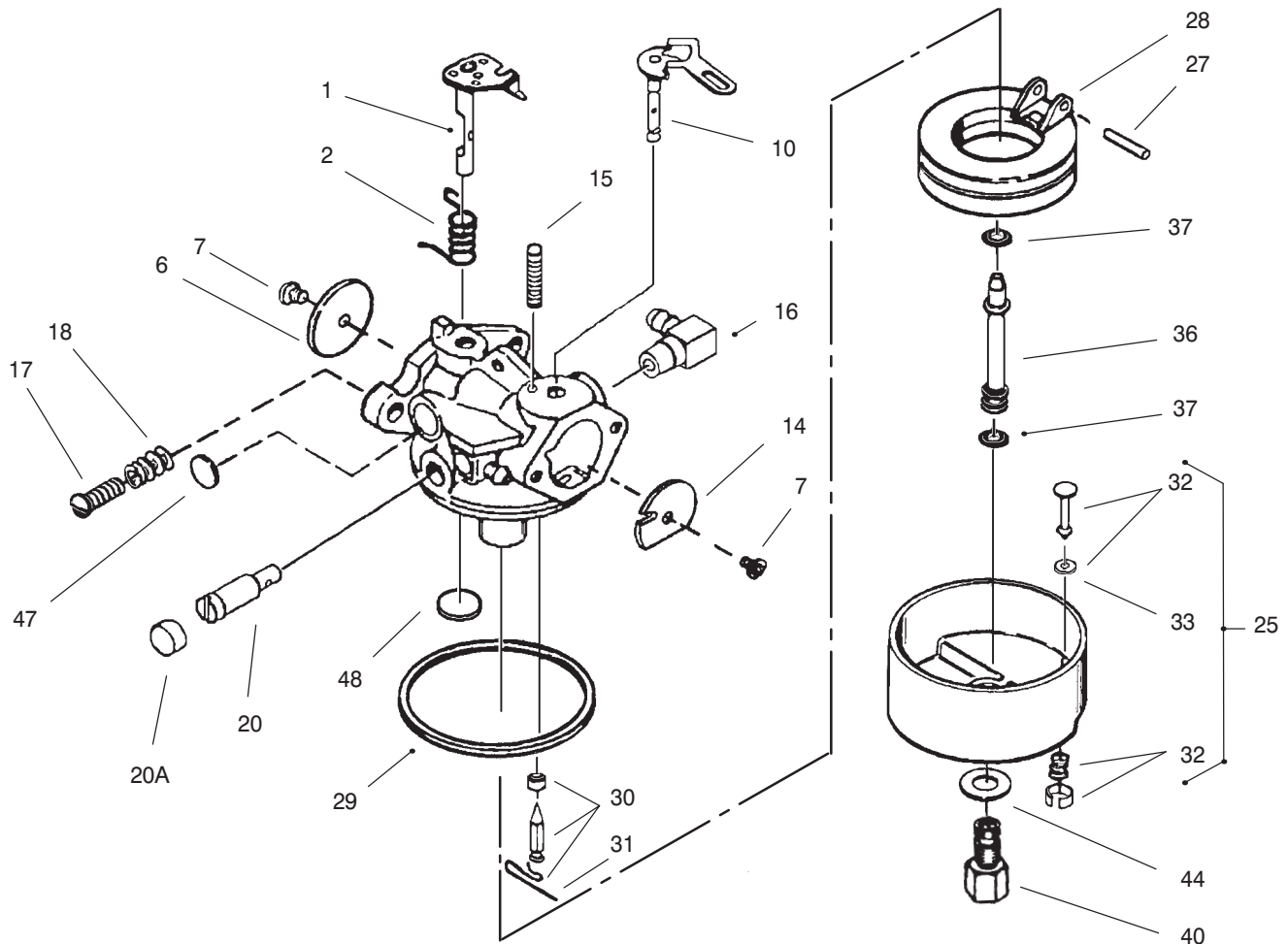
Starter Motor No. 33290E (Optional)

Ref. No.	Part No.	Qty.	Description
1	650759	3	Screw – Torx
3	35452A	1	Brush & Spring Card Asm
4	32450B	1	Cord – Extension
5	35454	1	Switch Box Asm (Incl. Ref. # 6)
6	650819	2	Screw
7	35450	2	”O’Ring
8	33441	1	Screw – Ground
9	35456	1	Scerw – Ground
10	35462	2	Bolt – Case
11	35453	1	Cap – Commutator End Asm (Incl. Ref. #7)
12	590500	1	Washer – Thrust
14	35912	1	Armature
15	35911	1	Washer – Thrust
16	35461	1	Cap – Drive End (Incl. Ref.# 7)
17	31749	1	Ring – Retainer
18	33522	1	Retainer – Spring
19	33769	1	Spring – Anti Drift
20	33524	1	Nut & Gear
*	33290E	1	Starter – Electric (110 Volt)

Ref. No.	Part No.	Qty.	Description
*	730623	1	Switch Repair Kit

Note: Order individual parts from your local Tecumseh dealer.

* Not Illustrated



Carburetor No. 640084A

Ref. No.	Part No.	Qty.	Description
1	631615	1	Shaft & Lever Assembly
2	631767	1	Throttle Shaft & Lever Asm.
6	640070	1	Throttle Shutter
7	650506	2	Screw - Shutter
10	632108	1	Choke Shaft & Throttle Asm.
14	631890	1	Shutter - Choke
15	630735	1	Spring - Choke Positioning
16	631807	1	Fuel Fitting
17	651025	1	Screw - Idle
18	630766	1	Spring - Tension
20	640018	1	Screw - Idle Restrictor
20A	640053	1	Cap - Idle Restrictor Screw
25	631951	1	Float Bowl Asm. (Incl. Ref. # 32, 33)
27	631024	1	Shaft - Float
28	632019	1	Float
29	631028	1	ORing - Float Bowl
30	631021	1	Inlet Needle - Seat & Clip (Incl. Ref. # 31)
31	631022	1	Clip - Spring
32	27136A	1	Bowl Drain Asm.

Ref. No.	Part No.	Qty.	Description
33	27554	1	Gasket - Drain Plunger
36	632745	1	Main Nozzle Tube
37	632547	2	ORing - Main Nozzle Tube
40	640131	1	Nut - High Speed Bowl
44	27110	1	Bowl Nut Washer
47	630748	1	Welch Plug - Idle Mixture Well
48	631027	1	Welch Plug - Atmospheric Vent
*	640084A	1	Carburetor (Incl. Ref. #1-48)

Note: Order individual parts from your local Tecumseh dealer.

* Not Illustrated

