



1332 Power Shift Snowthrower

Model No. 38087—210000001 and Up

Model No. 38592—210000001 and Up

Parts Catalog

Ordering Replacement Parts

To order replacement parts, please supply: the part number, the quantity, and the description of each part desired.

Understanding Reference Numbers

Each identified part in an illustration has a reference number. The reference number for a part also appears in the parts list, along with other information about the part.

This catalog uses two special reference number formats, one to indicate parts in a service assembly and another to indicate the quantity of a given part in an illustration.

Service Assembly Reference Numbers

Parts in service assemblies have reference numbers in the form **a:b**. The **a** represents the reference number of the entire service assembly and the **b** represents a sequential number unique to each part within the service assembly.

For example, a wheel assembly might be identified by reference number **6**, the tire by **6:1**, the valve by **6:2**, and the wheel by **6:3**. When you order the assembly identified by reference number **6**, you receive all parts identified by reference numbers **6:1**, **6:2**, and **6:3**. However, you may also order any part individually.

Reference numbers of this type appear in illustrations and in part lists.

Reference Numbers Indicating Quantity

In an illustration, if a reference number indicates more than one part, the reference number has the form **nX y**. The **n** represents the quantity of the part, the **X** is the multiplication symbol, and the **y** represents the reference number.

For example, in an illustration, the reference number **2X 37** means that two of the parts identified by reference number **37** are indicated.

Contents

Description	Page	Description	Page
Housing and Engine Frame Assembly	3	Carburetor	15
Auger Gearcase Assembly	5	Engine Assembly	
Engine and Transmission Assembly	6	OHSK 130-223819C (Only on 38087)	16
Traction Gearcase Assembly	7	Engine Assembly	
Power Shift Control Assembly	9	OHSK 130-223818C (Only on 38592)	20
Handle and Control Assembly	10	Electric Starter (110 Volt)	24
Headlamp Assembly	12	Recoil Starter	25
Lower Traction Assembly	13	Recoil Starter (Optional)	26

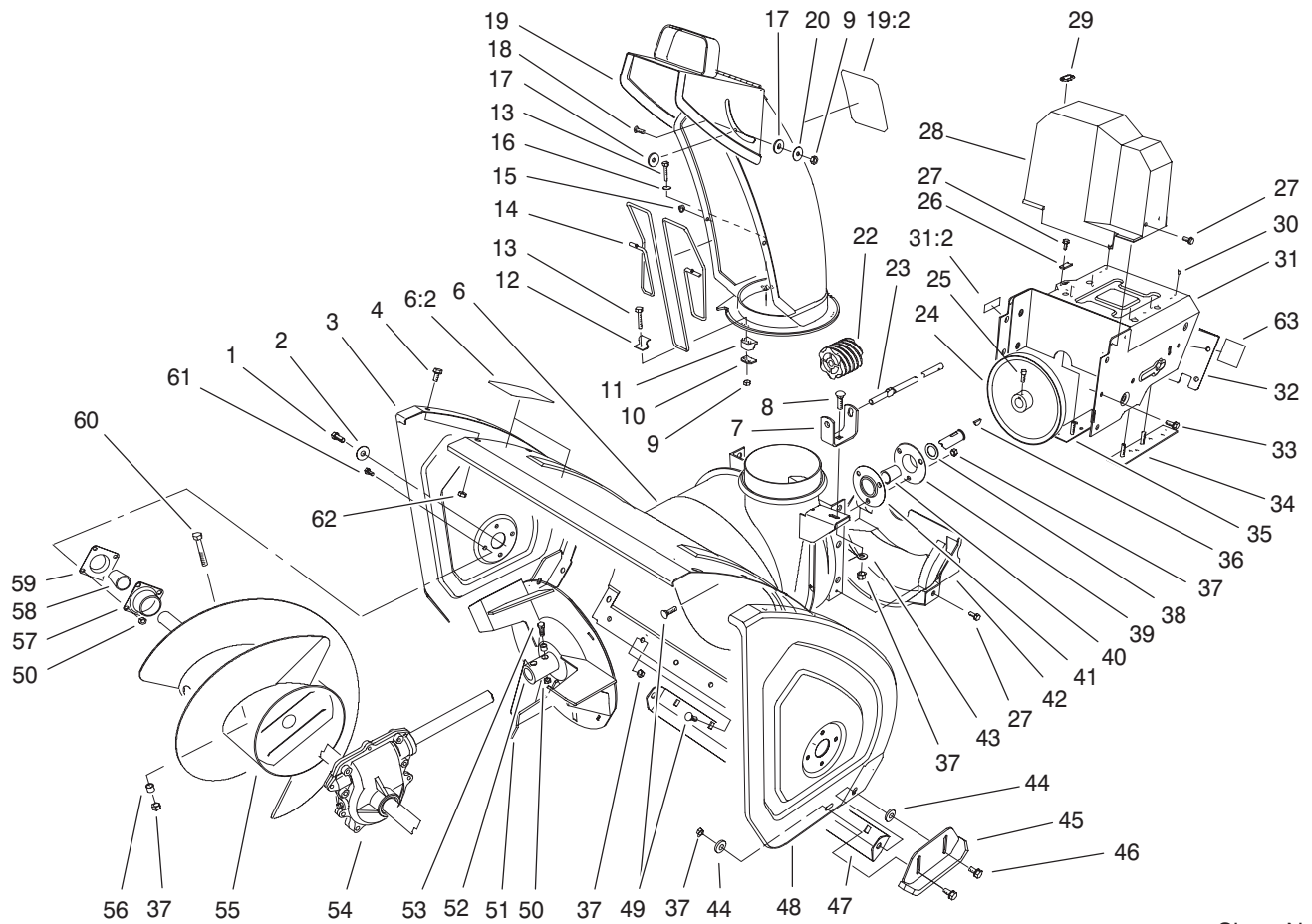
Accessories

Description	Model / Part No.	Description	Model / Part No.
Snow Cab	68-9500	12V Electric Starter Kit (model 38087 only)	93-8040
Weight Kit		Tire Chain Kit (for std. axle, not for	
(Required with Snow Cab 68-9500)	74-1190	use with differential kit)	63-3040
Light Kit (model 38592 only)	66-7941		
Drift Breaker	66-7980		

Part Description Abbreviations

Part descriptions in this catalog may include the following abbreviations.

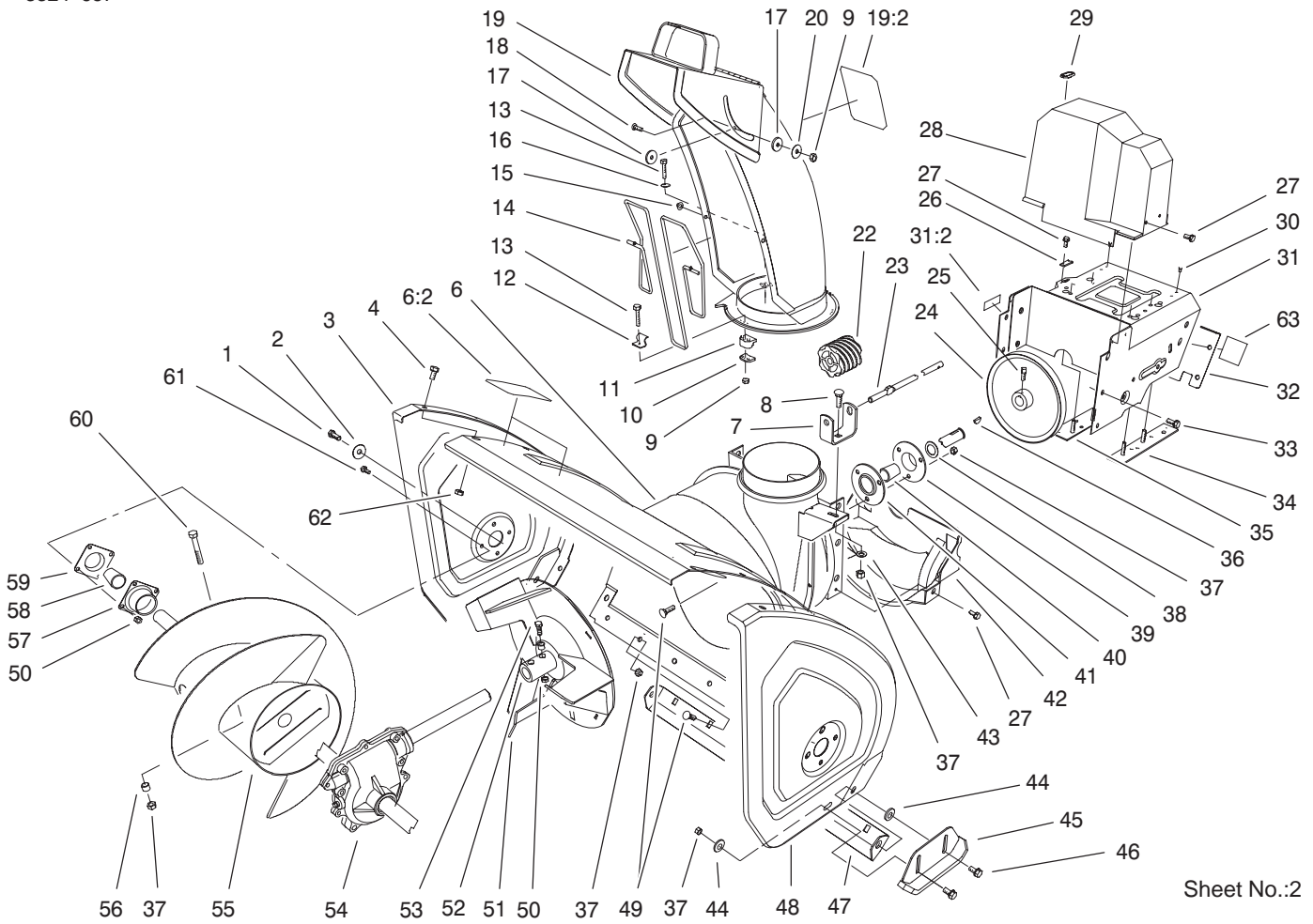
Abbreviation	Meaning	Abbreviation	Meaning
AR	as required	INC	incorporated
ASM	assembly	LH	left hand
CARR	carriage	NI	nylon insert
DEG	degrees	PPH	Phillips pan head
FH	flat head	PTH	Phillips truss head
GA	gauge	PTO	power take off
HF	hex flange	RH	right hand
HH	hex head	SFH	slotted fillister head
HHF	hex head flange	SHH	slotted hex head
HLH	hex lag head	SQH	square head
HJ	hex jam	SHWH	slotted hex washer head
HOC	height-of-cut	SPH	slotted pan head
HS	hex socket	SRH	slotted round head
HSBH	hex socket button head	STD	standard
HSFH	hex socket flat head	TAP	self tapping
HSH	hex socket head	TTH	Torx truss head
HWH	hex washer head	WH	wing head
HWHTF	hex washer head thread forming		



Sheet No.:2

Housing and Engine Frame Assembly

Ref. No.	Part No.	Qty.	Description	Ref. No.	Part No.	Qty.	Description
1	323-4	2	Screw-HH	19	95-2662	1	Chute (only on: 38087)
2	3-0750	2	Washer	19:2	94-2558	1	Decal - Danger (only on: 38087)
3	66-7821-01	1	Plate-Side, RH	19:2	94-8079	1	Decal-Danger (only on: 38592)
4	3234-28	12	Screw-HHF	20	3256-61	1	Washer-Flat
6	100-5458	1	Auger Housing ASM (only on: 38087)	22	62-0820	1	Gear-Worm
6	100-5457	1	Auger Housing ASM (only on: 38592)	23	62-1720	1	Rod-Chute, Lower
6:2	94-2568	1	Decal-Warning, Auger (only on: 38087)	24	62-1300	1	Pulley-Impeller
6:2	53-7670	1	Decal-Warning, Auger (only on: 38592)	25	3242-4	2	Screw-Set, SQH
7	63-2180	1	Bracket-Worm, Chute	26	63-2300	1	Retainer-Cable
8	3230-2	1	Screw-CARR	27	32144-4	6	Screw-HH
9	3296-2	4	Nut-Lock	28	63-2080	1	Cover-Belt, Upper
10	63-2670	3	Plate-Retainer, Chute	29	63-3290	1	Cover-Cable
11	62-1430	3	Retainer-Chute	30	3269-23	4	Rivet-Pop
12	63-3130	1	Clip-Guard, Chute	31	100-5451	1	Engine Frame ASM (only on: 38087)
13	3274-13	3	Screw-HSH	31	100-5450	1	Engine Frame ASM (only on: 38592)
14	63-3020	1	Guard-Chute	31:2	66-6860	1	Decal-Warning (only on: 38592)
15	3290-326	2	Nut-Push	31:2	94-2575	1	Decal-Adjustment (only on: 38087)
16	3256-14	1	Washer-Flat	32	62-1440-01	1	Cover-Frame, Engine
17	63-2900	2	Washer-Plastic	33	32144-14	6	Screw-HWH
18	32122-32	1	Screw				
19	95-2661	1	Chute (only on: 38592)				



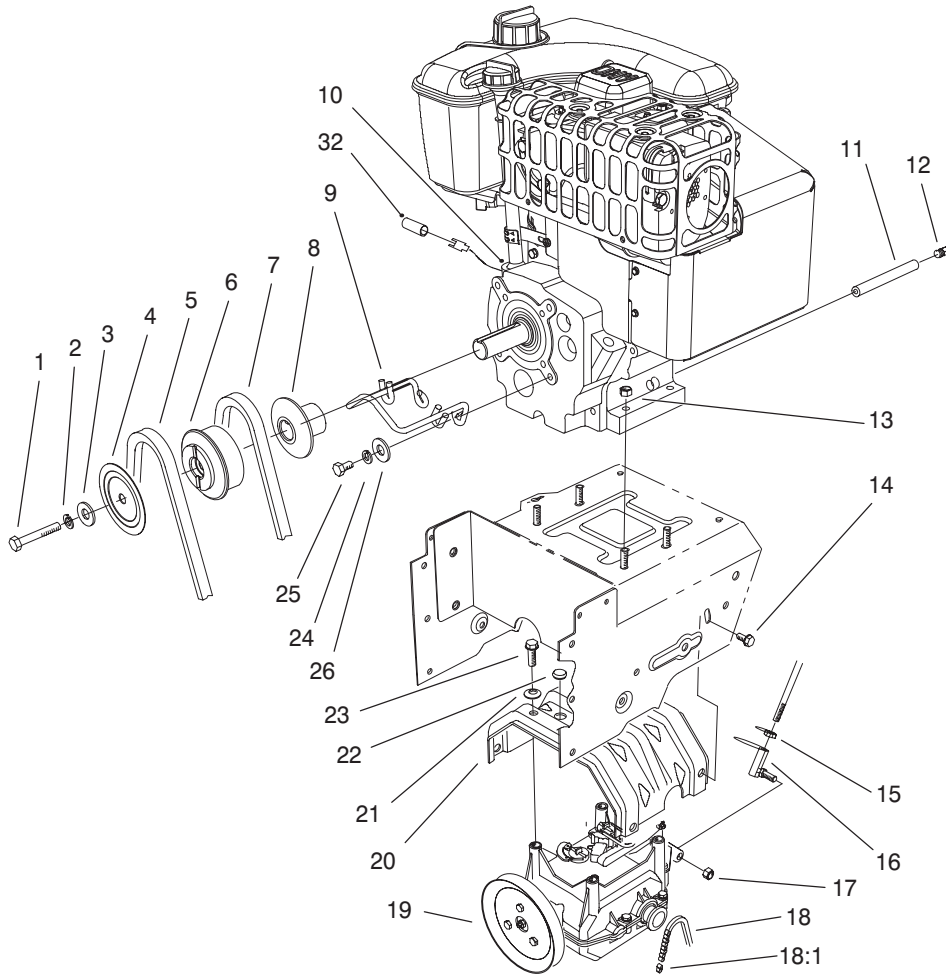
Sheet No.:2

Housing and Engine Frame Assembly (Continued)

Ref. No.	Part No.	Qty.	Description
34	68-4110	1	LH Frame Plate ASM
35	68-4100	1	RH Frame Plate ASM
36	3257-23	1	Key-Woodruff
37	3296-29	16	Nut-Lock
38	252-80	1	Washer-Thrust
39	26-6110	1	Flange-Cup, Bearing
40	63-3450	1	Bearing-Ball
41	26-6120	1	Flange-Cup, Bearing
42	68-8410	1	Cover-Belt, Lower
43	3256-23	1	Washer-Flat
44	52-2861	4	Washer
45	74-1440-01	2	Skid ASM
46	3234-5	4	Screw-HHF
47	66-7760-01	1	Blade-Scraper
48	66-7831-01	1	Plate-Side, LH
49	3230-23	11	Screw-CARR
50	3296-42	10	Nut-Lock NI
51	66-7920-03	1	Impeller-4 Blade
52	66-8010	2	Spacer-Hub, Impeller
53	321-44	2	Screw-HHF
54	74-1562	1	LH Auger Gearcase ASM
*55	68-7462-03	1	Auger, LH
55	68-7452-03	1	Auger, RH
56	25-5090	2	Spacer-Hub, Auger
57	20-0990	2	Bearing-Flange, Front

Ref. No.	Part No.	Qty.	Description
58	20-0980	2	Bearing
59	20-1000	2	Bearing-Flange, Rear
60	322-12	2	Screw-HH
61	321-3	8	Screw-HH
62	3296-47	12	Nut-Lock, NI
63	68-9390	1	Decal (only on: 38592)

* Not illustrated



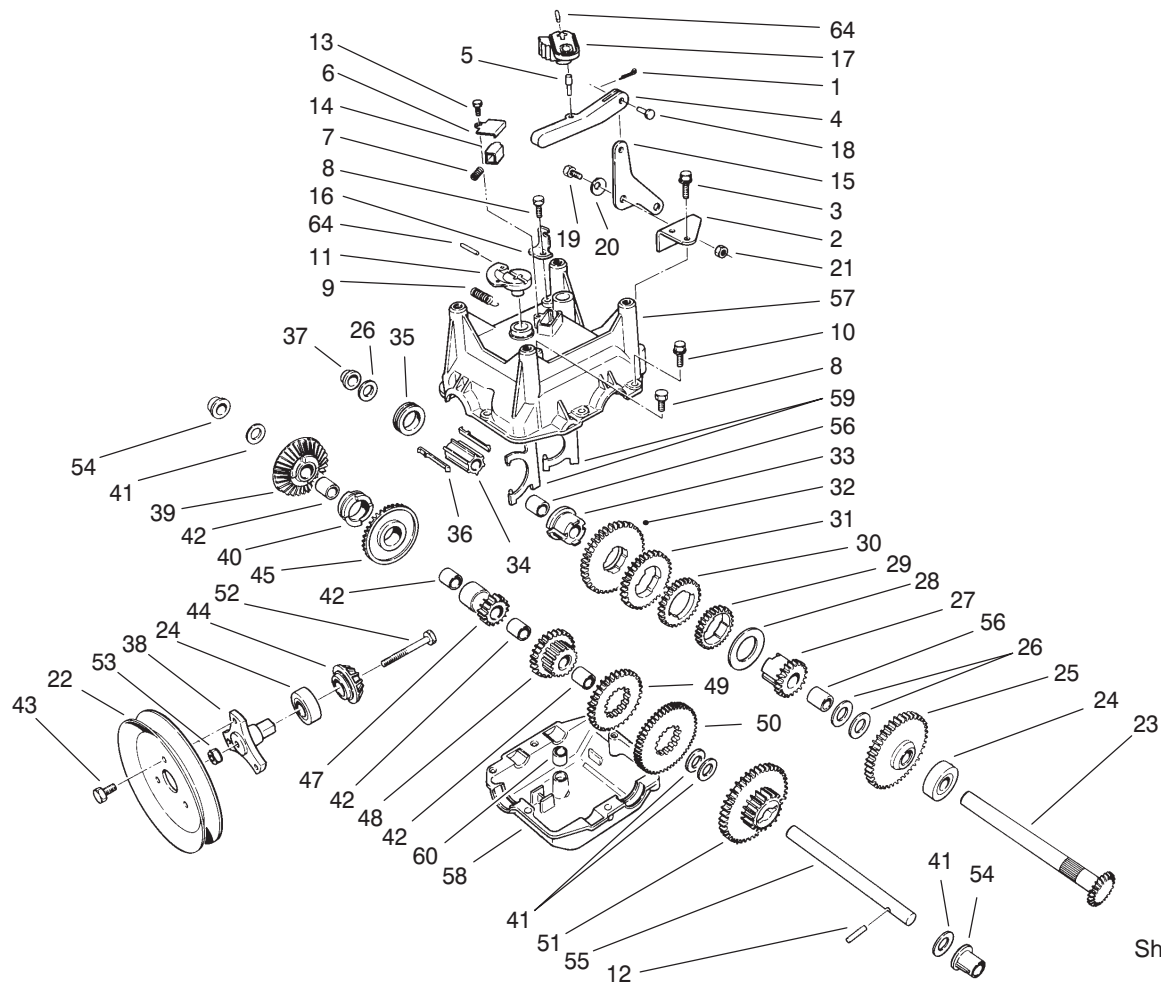
Sheet No.:3

Engine and Transmission Assembly

Ref. No.	Part No.	Qty.	Description
1	3212-8	1	Screw-HH
2	3253-6	1	Washer-Lock/Sp
3	3256-41	1	Washer-Flat
4	62-0940	1	Sheave-Half, Impeller
5	63-2967	1	V Belt, Impeller
6	62-0930	1	Pulley-Engine, Center
7	63-2955	1	V-Belt, Traction
8	62-0920	1	Sheave-Half, Traction
9	100-3432	1	Guide-Belt
10		1	Engine-13hp Tecumseh Ohsk 130-223819b (only on: 38087)
10		1	Engine-13hp Tecumseh Ohsk 130-223818b (only on: 38592)
*10:2	99-9300	1	Cord-Extention (only on: 38592)
11	289-34	1	Nipple-Pipe
12	288-2	1	Cap-Pipe
13	32128-20	4	Nut-HF
14	3234-7	4	Screw-HHF
15	3220-3	1	Nut-Jam
16	78-2920	1	Ball-Joint
17	3296-6	1	Nut-Lock, NI

Ref. No.	Part No.	Qty.	Description
18	63-2930	1	Chain
18:1	2710-15	1	Link-Offset
19	66-8030	1	Traction Gearcase ASM
20	63-2990-03	1	Transmission Frame ASM
21	3290-461	4	Washer-Spring
22	95-7947	2	Cap-Plug
23	11-0590	4	Screw-Forming, Thread
24	3253-4	2	Washer-Lock
25	3210-3	2	Screw-HH
26	3256-41	2	Washer-Flat
27	2710-15	1	Link-Offset (only on: 38087)
32	94-2782	1	Cap-Wire, Lite (only on: 38592)

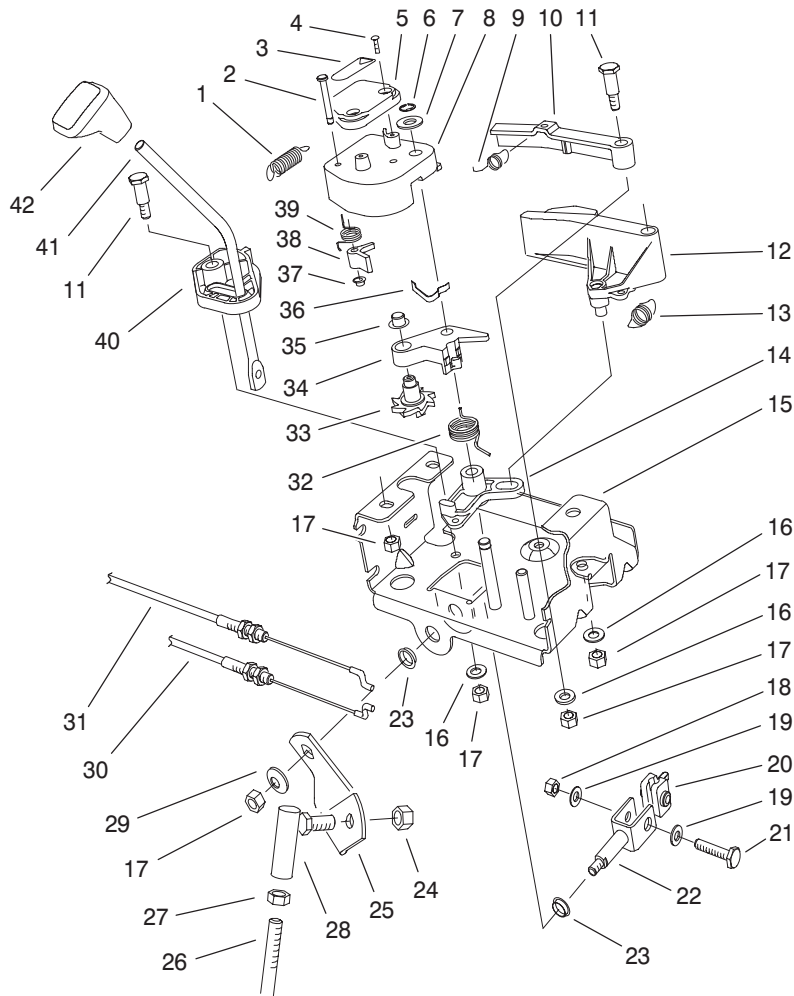
* Not illustrated



Sheet No.:A2
C-2850

Traction Gearcase Assembly No. 66-8030

Ref. No.	Part No.	Qty.	Description	Ref. No.	Part No.	Qty.	Description
1	3272-1	1	Pin-Cotter	27	62-0340	1	Gear-Sleeve, 19 T
2	62-1190	1	Bracket-Bellcrank	28	63-2280	1	Washer-Thrust
3	32104-95	2	Screw-HWH	29	62-0250	1	Gear, 29 T
4	62-0860	1	Link-Shift, Gear	30	62-0200	1	Gear, 27 T
5	63-2190	1	Pin-Link, Gear Shift	31	62-0220	1	Gear, 34 T
6	62-1690	1	Cover-Detent	32	62-0240	1	Gear, 45 T
7	63-2890	1	Spring-Detent	33	62-0320	1	Sleeve-Gear
8	32144-4	2	Screw-HH	34	68-4320	1	Sleeve-Shift
9	63-2920	1	Spring-Extension	35	62-0430	1	Collar-Shift
10	32144-86	6	Screw-HH	36	62-0310	2	Key
11	62-0880	1	Lever	37	62-1180	1	Bushing-Flange, Output
12	32121-106	1	Pin-Spring	38	62-0380	1	Hub-Pulley
13	32104-71	1	Screw-HWH	39	67-5860	1	Gear-Bevel, Rev, 36 T
14	62-1020	1	Button-Detent	40	67-5880	1	Collar-Shift
15	63-2600	1	Bellcrank	41	257-10	4	Washer-Thrust
16	62-1740	1	Bracket-Cable	42	62-1160	4	Bushing
17	62-0870	1	Lever-Shift, Gear	43	12-3270	3	Screw
18	283-3	1	Pin-Clevis	44	62-0350	1	Pinion-Bevel
19	63-3410	1	Screw-Shoulder	45	67-5870	1	Gear-Bevel, 36 T
20	3290-477	1	Washer-Curved	47	62-0500	1	Gear-Bevel, 15 T
21	3296-42	1	Nut-Lock NI	48	68-4310	1	Gear, 26 T
22	62-1310	1	Traction-Sheave, Half	49	62-0210	1	Gear, 33 T
23	62-1080	1	Shaft-Output	50	62-0260	1	Gear, 51 T
24	38-7820	2	Bearing-Ball	51	62-0360	1	Gear, 19/41 T
25	62-0370	1	Gear, 41 T	52	321-15	1	Screw-HH
26	252-59	3	Bearing-Thrust				

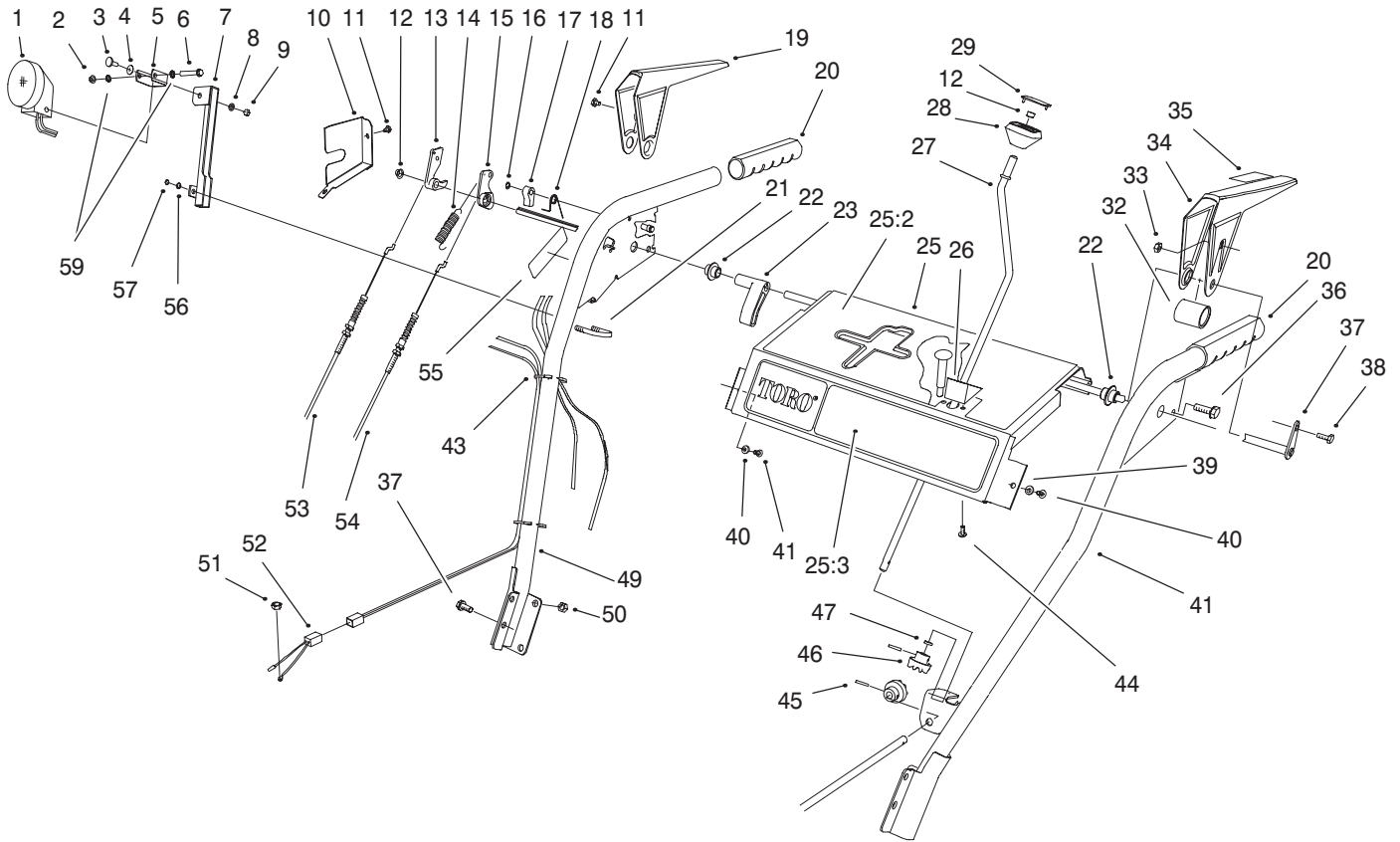


Sheet No.:4

Power Shift Control Assembly

Ref. No.	Part No.	Qty.	Description
1	63-2220	1	Spring-Extension
2	63-2610	1	Pin-Tang
3	63-2480	1	Decal-Number 2
4	94-6961	2	Screw
5	62-1140	1	Cover-Latch
6	32120-46	1	Ring-Retaining
7	257-9	1	Washer-Thrust
8	62-1100	1	Lever Latch
9	63-2240	1	Spring-Extension
10	62-1700	1	Lever-Lockout
11	63-2650	2	Screw-Shoulder
12	62-1130	1	Lever-Reverse
13	63-2230	1	Spring-Extension
14	62-1120	1	Lever-Reverse, Switch
15	63-2150-03	1	Control Frame ASM
16	3256-23	3	Washer-Flat
17	3296-29	7	Nut-Lock
18	3296-42	1	Nut-Lock NI
19	3256-1	2	Washer-Flat
20	67-9250	1	Retainer-Rod, Shift
21	321-9	1	Screw-HH
22	66-7730	1	Clevis ASM
23	256-296	2	Bushing
24	3296-6	1	Nut-Lock, NI
25	63-2630	1	Bracket-Shift

Ref. No.	Part No.	Qty.	Description
26	63-2830	1	Rod-Bent Shift, Lower
27	3220-3	1	Nut-Jam
28	78-2920	1	Ball-Joint
29	3290-456	1	Washer-Belleville
30	63-2210	1	Cable-Gearbox
31	63-2200	1	Cable-Arm, Latch
32	63-2270	1	Spring-Torsion
33	62-0170	1	Wheel-Index
34	62-1110	1	Lever-Wheel, Index
35	3290-320	1	Retainer-Push On
36	62-1710	1	Spring-Flat
37	3290-422	1	Nut-Push
38	62-0180	1	Tang-Index
39	62-1650	1	Spring-Torsion
40	62-1470	1	Base-Lockout
41	67-9240	1	Rod-Shift
42	62-1290	1	Knob-Shift

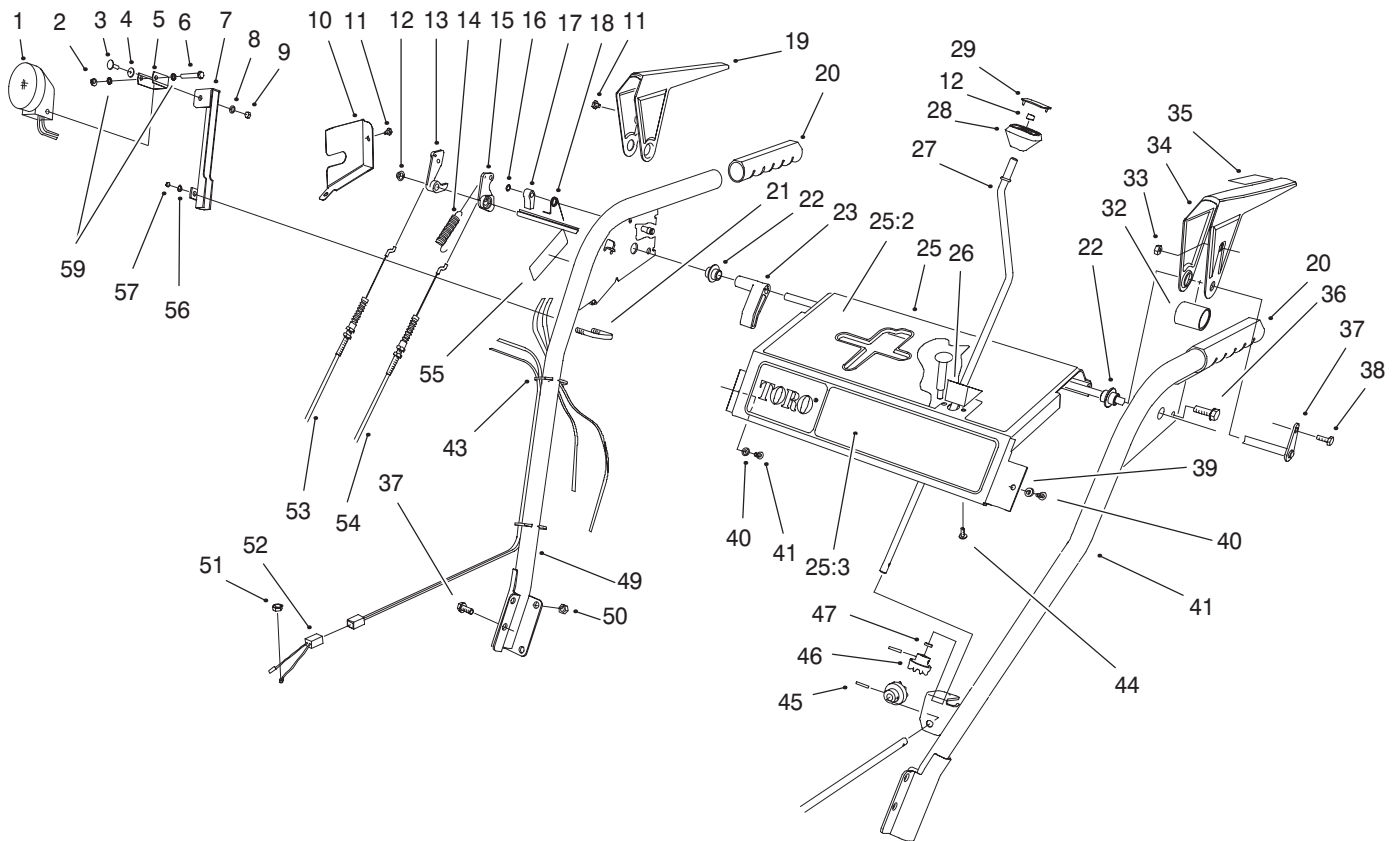


Sheet No.:5

Handle and Control Assembly

Ref. No.	Part No.	Qty.	Description
1	54-9871	1	Headlamp ASM (only on: 38087)
2	32128-35	1	Nut-HF (only on: 38087)
3	3231-2	1	Screw-CARR (only on: 38087)
4	3256-26	1	Washer-Flat (only on: 38087)
5	218-556	1	Bracket (only on: 38087)
6	322-13	1	Screw-HH (only on: 38087)
7	68-7110-03	1	Mount-Light (only on: 38087)
8	3253-21	1	Washer-Lock (only on: 38087)
9	3217-7	1	Nut-Hex (only on: 38087)
10	63-2170-03	1	Cover-Lock, Lever
11	2210-250	3	Screw-HH
12	3290-320	2	Retainer-Push On
13	62-0300	1	Tang-Locking
14	88-0810	1	Spring-Extension
15	62-0290	1	Cam-Release
16	32151-66	1	E-Ring-Retainer
17	62-0280	1	Latch-Locking

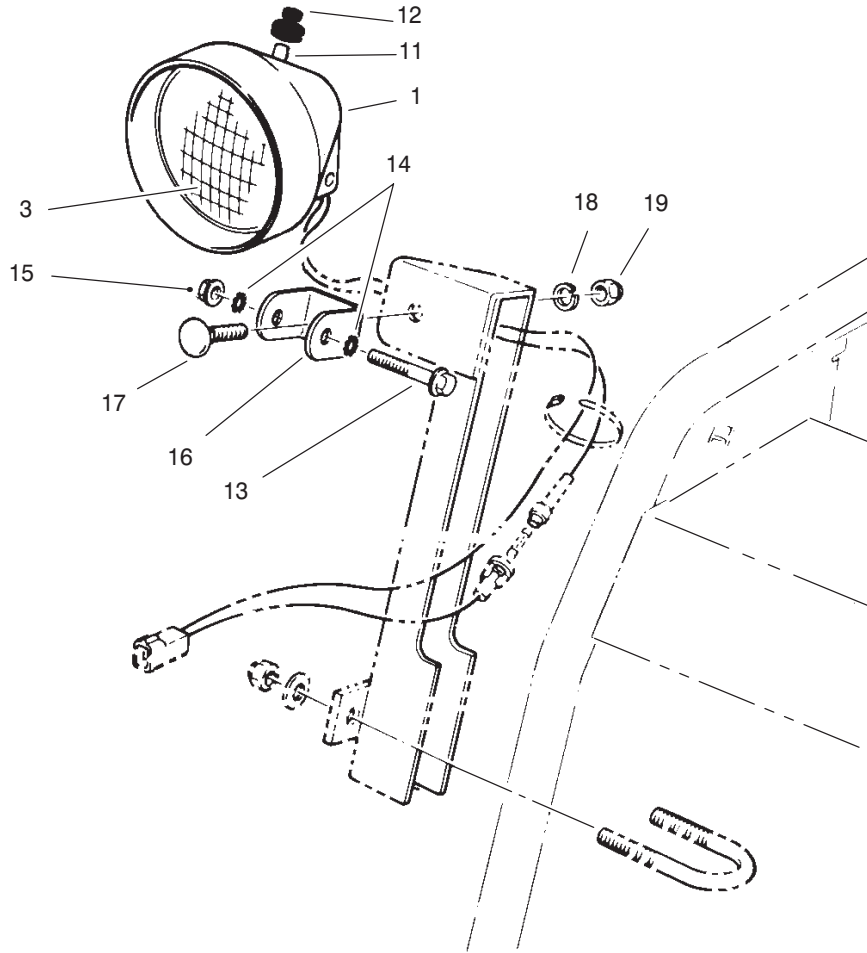
Ref. No.	Part No.	Qty.	Description
18	63-2910	1	Spring-Torsion
19	62-1050-03	1	Lever-Traction, RH
20	66-7850	2	Grip-Handle
21	68-7140	1	U-Bolt (only on: 38087)
22	62-1070	2	Bushing-Lever
23	62-1640	1	Lever-Trip
25	100-3579	1	Control Panel ASM (only on: 38087)
25	100-3578	1	Control Panel ASM (only on: 38592)
25:2	99-3229	1	Decal-Control (only on: 38087)
25:2	99-3230	1	Decal-Top, Panel (only on: 38592)
25:3	100-3440	1	Decal - Front Panel (only on: 38087)
25:3	100-3337	1	Decal - Panel Front (only on: 38592)
26	62-1490	1	Plate-Guide
27	63-2160	1	Crank-Rod, Chute
28	62-1320	1	Knob-Control, Chute
29	62-1520	1	Cover-Knob
32	63-3380	1	Spacer-Lever, Traction
33	3296-2	1	Nut-Lock



Sheet No.:5

Handle and Control Assembly (Continued)

Ref. No.	Part No.	Qty.	Description	Ref. No.	Part No.	Qty.	Description
34	62-1060-03	1	Lever-Traction, LH	52	54-9810	1	Wire ASM (only on: 38087)
35	63-3050	1	Decal-Lever (only on: 38592)	53	63-2700	1	Cable-Impeller
36	32144-14	6	Screw-HWH	54	63-2710	1	Cable-Traction
37	63-2030	1	Cross Rod ASM	56	3256-23	2	Washer-Flat (only on: 38087)
38	3290-359	1	Screw-HWH	57	3296-29	2	Nut-Lock (only on: 38087)
39	3256-14	2	Washer-Flat	59	3255-8	2	Washer-Lock/Ext (only on: 38087)
40	32104-76	2	Screw-Slot, Acorn				
41	66-8091-03	1	LH Handle ASM				
43	3290-378	2	Tie-Cable				
44	94-6961	2	Screw				
45	32121-50	2	Pin-Spring				
46	62-1460	2	Gear-Universal				
47	62-1230	1	Washer-Rubber				
49	100-3598	1	Handle ASM (only on: 38087)				
49	100-3597	1	Handle ASM (only on: 38592)				
49:2	66-6860	1	Decal-Warning (only on: 38592)				
49:2	94-2575	1	Decal-Adjustment (only on: 38087)				
50	3296-47	4	Nut-Lock, NI				
51	3217-6	1	Nut-Hex (only on: 38087)				

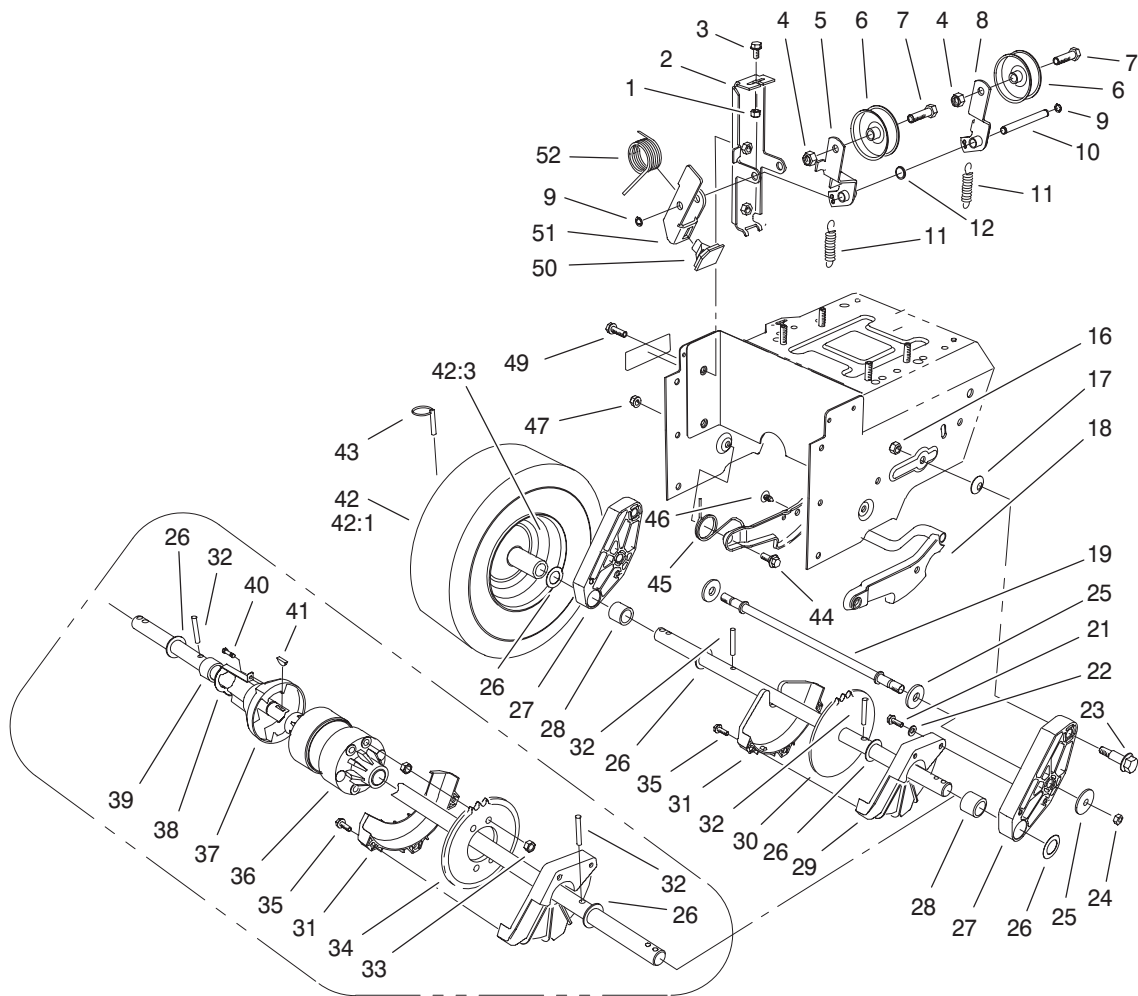


Sheet No.:A3
C-2851

Headlamp Assembly No. 54-9871 (only on: 38087)

Ref. No.	Part No.	Qty.	Description
1	218-552	1	Bucket-Headlamp (only on: 38087)
3	218-16	1	Beam-Sealed (only on: 38087)
11	218-553	1	Switch ASM (only on: 38087)
12	92-6033	1	Boot-Switch (only on: 38087)
13	322-13	1	Screw-HH (only on: 38087)
14	3255-8	2	Washer-Lock/Ext (only on: 38087)
15	32128-35	1	Nut-HF (only on: 38087)
16	218-556	1	Bracket (only on: 38087)
17	3231-22	1	Screw-CARR (only on: 38087)
18	3253-21	1	Washer-Lock (only on: 38087)
19	3217-7	1	Nut-Hex (only on: 38087)

Ref. No.	Part No.	Qty.	Description

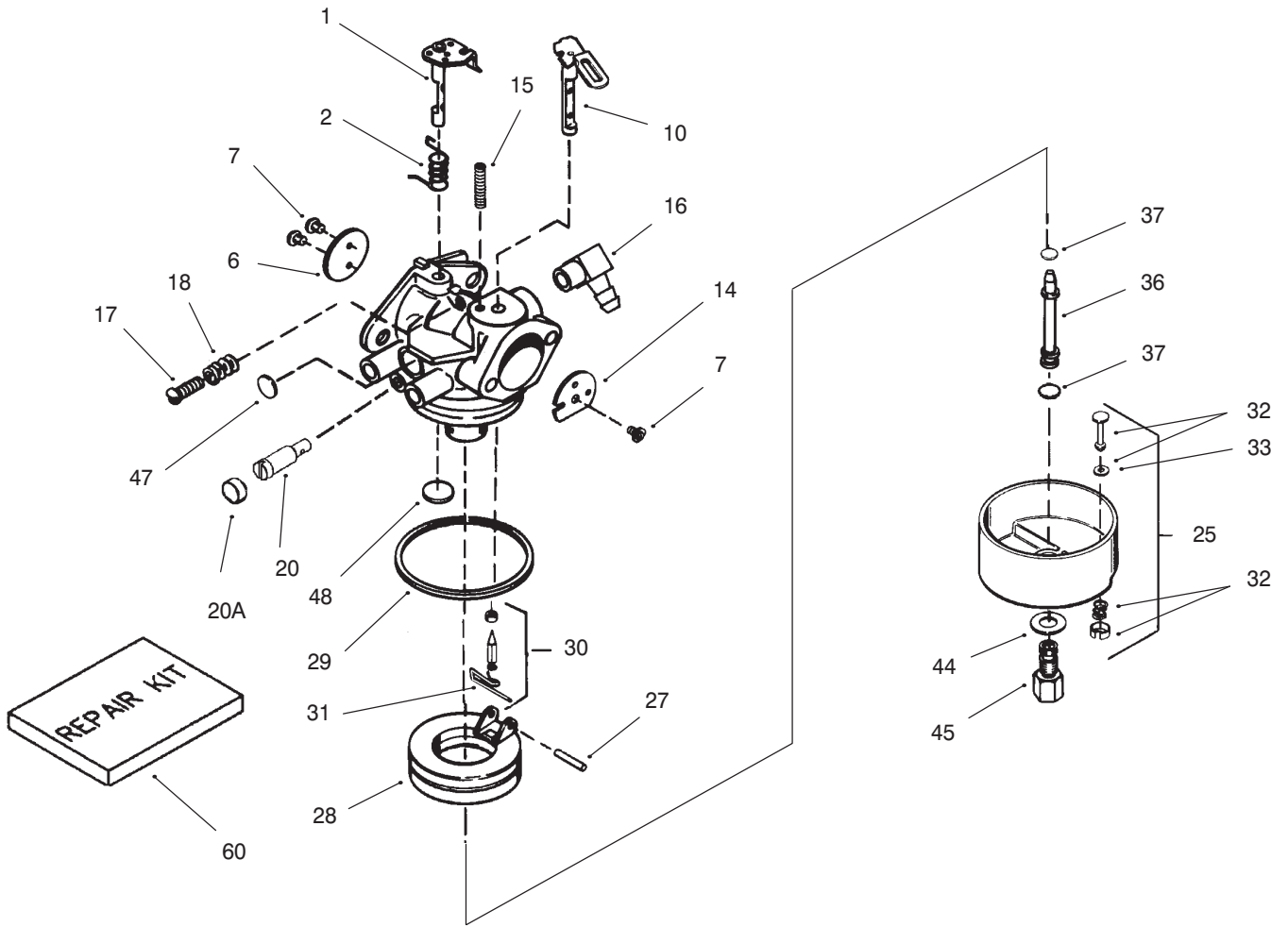


Sheet No.:6

Lower Traction Assembly

Ref. No.	Part No.	Qty.	Description
1	3296-42	1	Nut-Lock NI
2	63-2850	1	Idler Arm Bracket ASM
3	3234-13	1	Screw-HHF
4	3296-59	2	Nut-Lock, NI
5	93-8046	1	Impeller Idler Arm ASM
6	3-4244	2	Pulley-Idler
7	323-7	2	Screw-HH
8	93-8045	1	Traction Idler Arm ASM
9	32120-46	2	Ring-Retaining
10	62-0970	1	Pin-Idler
11	63-2870	2	Spring-Extension
12	3256-38	1	Washer-Flat
16	3296-39	2	Nut-Lock, NI
17	3290-461	2	Washer-Spring
18	62-0470-03	1	Latch ASM
19	66-7720	1	Rod-Latch
21	32144-4	2	Screw-HH
22	3256-1	2	Washer-Flat
23	62-1330	2	Bolt-Shoulder
24	3296-23	2	Nut-Lock, NI
25	63-3340	4	Washer-Support
26	252-80	4	Washer-Thrust
27	66-7740	2	Pivot Arm ASM
28	63-2250	2	Bushing-Axle

Ref. No.	Part No.	Qty.	Description
29	62-1010	1	Guard-Chain, LH
30	63-2112	1	Axle (only on: 38087)
31	68-9310	1	Guard-Chain (only on: 38592)
31	62-1000	1	Guard-Chain, RH (only on: 38087)
32	32121-9	2	Pin-Spring
33	3296-47	6	Nut-Lock, NI (only on: 38592)
34	68-9270	1	Sprocket, 32 T (only on: 38592)
35	94-4496	3	Screw-PPH
36	68-9200	1	Differential ASM (only on: 38592)
37	68-9250	1	Coupling-Differential (only on: 38592)
38	68-9260	1	Locknut-Spring (only on: 38592)
39	95-7930	1	Spacer (only on: 38592)
40	104-2065	1	Screw-HWH (only on: 38592)
41	3257-41	2	Key-Woodruff (only on: 38592)
42		2	Wheel & Tire Assembly
42:1	231-123	1	Tire



Carburetor No. 640105

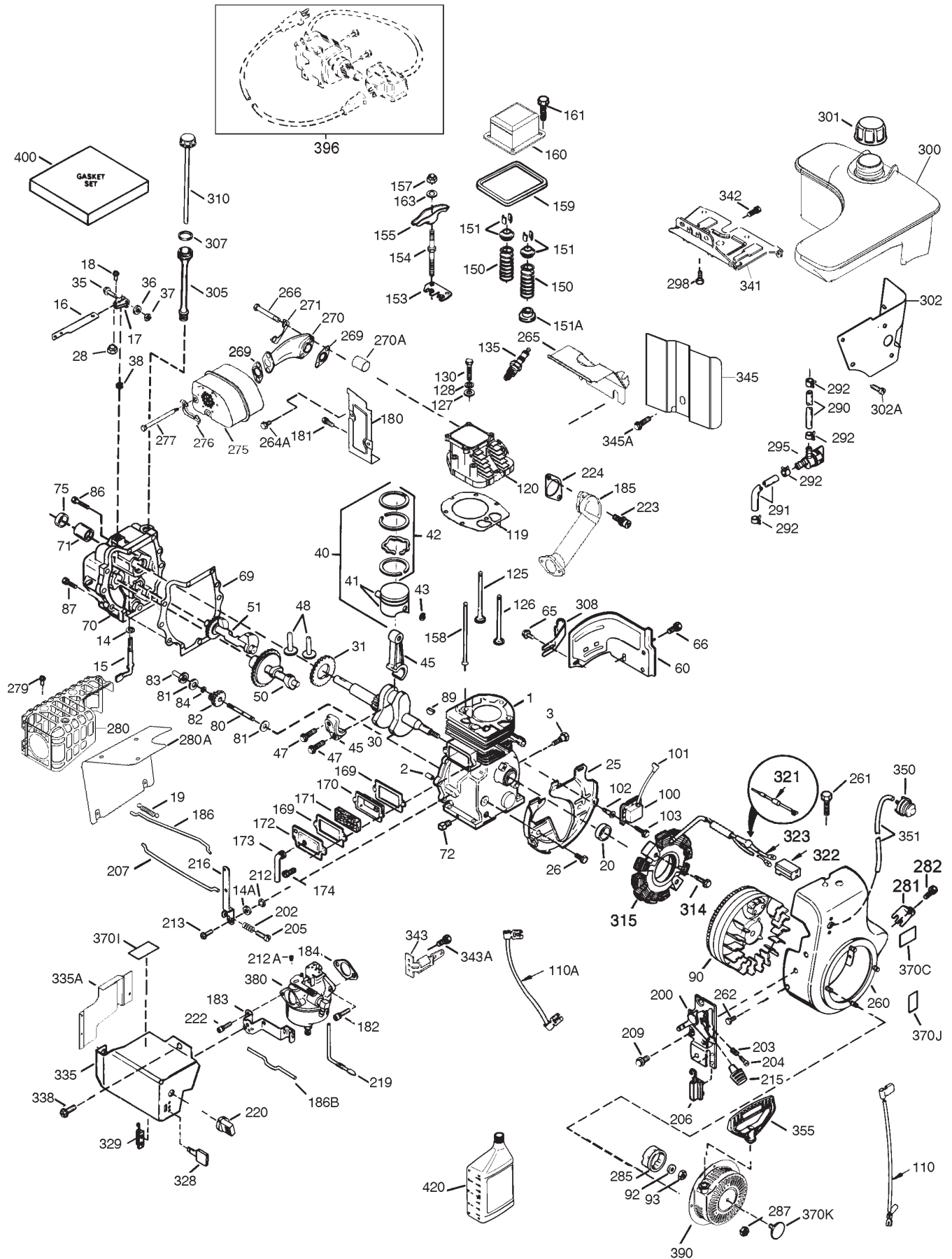
Ref. No.	Part No.	Qty.	Description
1	632787	1	Throttle Shaft & Lever ASM
1A	36288	1	Bushing
2	631970	1	Throttle Return Spring
6	640107	1	Throttle Shutter
7	650506	4	Shutter Screw
10	632513	1	Choke Shaft & Lever ASM
14	632429A	1	Choke Shutter
15	630735	1	Choke Positioning Spring
16	632527	1	Fuel Fitting
17	651025	1	Idle Speed Screw
18	630766	1	Tension Spring
20	640016	1	Idle Restrictor Screw
20A	640053	1	Idle Restrictor Screw Cap
25	632594A	1	Float Bowl ASM (Incl. 32 & 33)
27	631024	1	Float Shaft
28	632019	1	Float
29	631028	1	Float Bowl O-Ring
30	631021	1	Inlet Needle, Seat, Clip (Incl. 31)
31	631022	1	Spring Clip
32	27136	1	Bowl Drain ASM

Ref. No.	Part No.	Qty.	Description
33	27554	1	Drain Plunger Gasket
36	640005	1	Main Nozzle Tube
37	632547	2	O-Ring, Main Nozzle Tube
40	640106	1	High Speed Bowl Nut
44	27110A	1	Bowl Nut Washer
47	630748	1	Welch Plug, Idle Mixture Well
48	631027	1	Welch Plug, Vent
60	632760	1	Repair Kit

Obtain Parts From Tecumseh

Engine Assembly

OHSK 130-223819C (Only on: 38087)



Engine Assembly

OHSK 130-223819C (Only on: 38087)

Ref. No.	Part No.	Qty.	Description	Ref. No.	Part No.	Qty.	Description
1	37083	1	Cylinder (Incl. 2, 20, 72 & 80)	80	35751	1	Governor Shaft
2	27652	2	Dowel Pin	81	35479	2	Washer
3	650820	2	Screw, 1/4-20 x1/2"	82	35321	1	Governor Gear ASM
14	28277	1	Washer	83	35322	1	Governor Spool
14A	651057	1	Washer	84	29193	1	Retaining Ring
15	35685	1	Governor Rod (Incl. 14 & 38)	86	650833	7	Screw, 1/4-20 x 1-3/16"
16	35686A	1	Governor Lever (Incl. 212A)	87	650832	1	Screw, 1/4-20 x 1-11/16"
17	29916	1	Governor Lever Clamp	89	32589	1	Flywheel Key
18	651028	1	Screw -Torx T-15, 8-32 x 3/8"	90	611094	1	Flywheel (W/Ring Gear)
19	35688	1	Throttle Spring	92	650880	1	Lock Washer
20	35319	1	Oil Seal	93	650881	1	Flywheel Nut
25	36460	1	Blower Housing Baffle	100	35135A	1	Solid State Ignition
26	650561	2	Screw, 1/4-20 x 5/8"	101	610118	1	Spark Plug Cover
28	30322	1	Lock Nut, 10-32	102	651024	2	Solid State Mounting Stud
30	36706	1	Crankshaft	103	651007	2	Screw - Torx T-15, 10-24 x 15/16"
31	35327	1	Counterbalance Gear	110	35187	1	Ground Wire
35	29826	1	Screw, 10-32 x 3/4"	110A	37047	1	Ground Wire
36	29918	1	Lock Washer	119	36932	1	Cylinder Head Gasket
37	29216	1	Lock Nut, 10-32	120	37491	1	Cylinder Head (Incl. 151A)
38	29642	3	Retaining Ring	125	36934	1	Exhaust Valve (Std.)
40	35776A	1	Piston, Pin & Ring Set (Std.)	125	36936	1	Exhaust Valve (1/32 OS)
40	35777A	1	Piston, Pin & Ring Set (.010" OS)	126	36935	1	Intake Valve (Std.)
40	35778A	1	Piston, Pin & Ring Set (.020" OS)	127	650691	6	Washer
41	35773A	1	Piston & Pin Ass'y (Std.) (Incl. 43)	128	650690	6	Belleville Washer
41	35774A	1	Piston & Pin Ass'y (.010" OS) (Incl. 43)	130	650697A	6	Screw, 5/16-18 x 2-12"
41	35775A	1	Piston & Pin Ass'y (.020" OS) (Incl. 43)	135	34645	1	Spark Plug (RN4C)
42	35779	1	Ring Set (Std.)	150	33507	2	Valve Spring
42	35780	1	Ring Set (.010" OS)	151	33508	2	Valve Spring Keeper
42	35781	1	Ring Set (.020" OS)	151A	35862	1	Intake Valve Seal
43	35772	2	Piston Pin Retaining Ring	153	35949	1	Push Rod Guide
45	36898	1	Connecting Rod ASM (Incl. 47)	154	650945	2	Rocker Arm Stud
47	651033	2	Connecting Rod Bolt	155	35950	2	Rocker Arm
48	35313	2	Valve Lifter	157	650947	2	Jam Nut
50	35682A	1	Camshaft (MCR)	158	35466	2	Push Rod
51	35315A	1	Counterbalance Weight	159	35952	1	Rocker Arm Cover Gasket
60	35316A	1	Blower Housing Extension	160	35953A	1	Rocker Arm Cover
65	30200	1	Screw, 10-24 x 9/16"	161	30063	4	Screw - Torx T-30, 1/4-20 x 1/2"
66	30063	1	Screw - Torx, t-30, 1/4-20 x1/2"	163	650890	2	Lock Washer
69	35683	1	Cylinder Cover Gasket	169	27896A	2	Valve Cover Gasket
70	35684A	1	Cylinder Cover (Incl. 14,15,38,71,75)	170	28423	1	Breather Body
71	35377	1	Crankshaft Bushing	171	28424	1	Breather Element
72	27642	1	Oil Drain Plug	172	28425	1	Valve Cover
75	35319	1	Oil Seal	173	35350	1	Breather Tube
				174	650128	2	Screw, 10-24 x 1/2"
				180	35954	1	Blower Housing Extension
				181	30200	2	Lock Nut, 10-32

Obtain Parts From Tecumseh

Engine Assembly

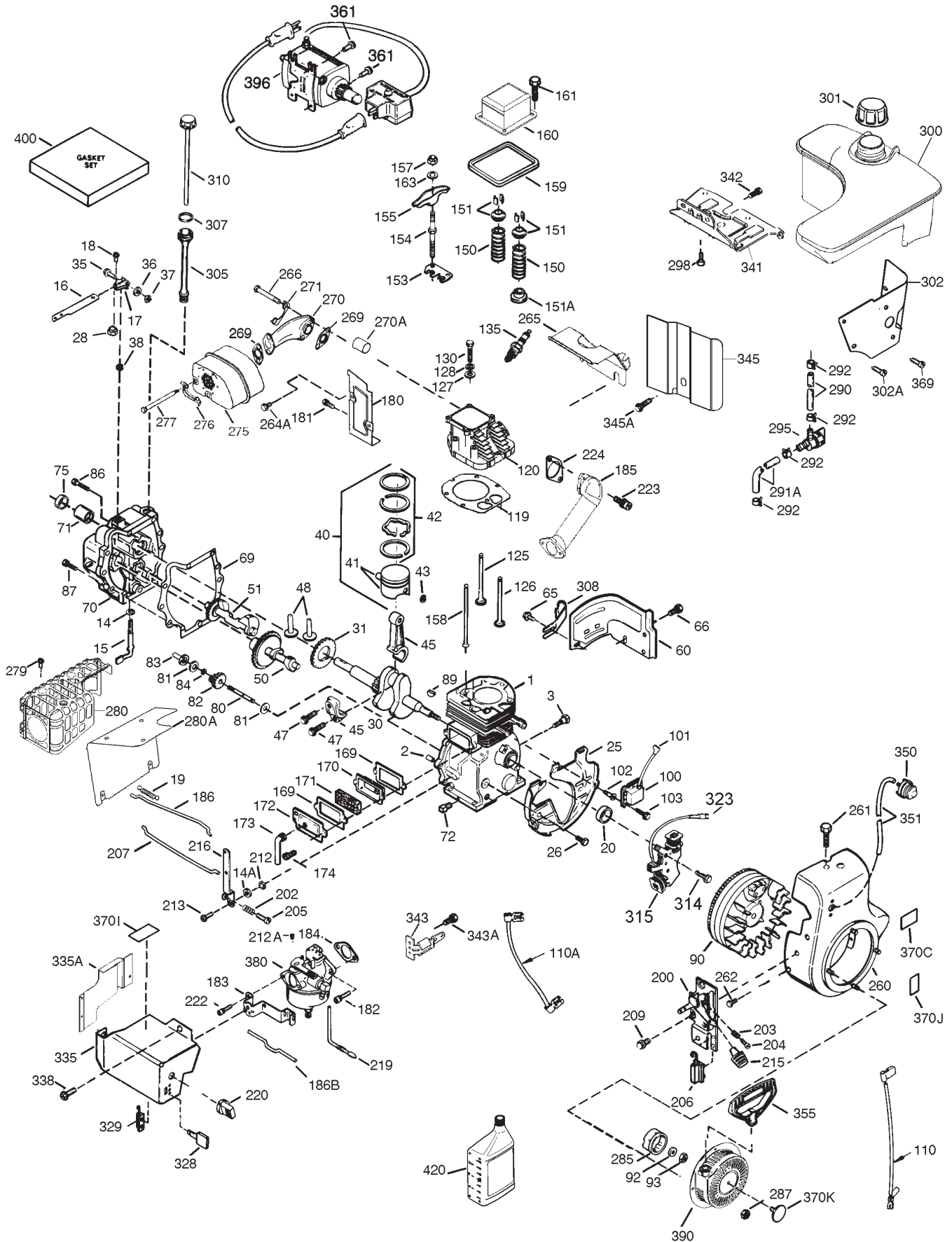
OHSK 130-223819C (Only on: 38087) (Continued)

Ref. No.	Part No.	Qty.	Description	Ref. No.	Part No.	Qty.	Description
182	650517	2	Screw – Torx T-30, 1/4-20 x 27/32"	292	26460	4	Fuel Line Clamp
183	34583A	1	Choke Bracket	295	35857	1	Fuel Shut-Off Valve
184	33263	1	Carburetor To Intake Pipe Gasket	298	650665	2	Screw, 1/4-15 x 3/4"
185	37085	1	Intake Pipe	300	37099	1	Fuel Tank (Incl. 292 & 301)
186	35691	1	Governor Link	301	36246	1	Fuel Cap
186B	36653	1	Choke Spring	302	37098	1	Fuel Tank Extension
200	35702	1	Control Bracket (Incl. 203 & 204)	302A	650821	3	Screw, 10-32 x 1/2"
202	36482	1	Compression Spring	305	35574	1	Oil Fill Tube
203	31342	1	Compression Spring	307	35499	1	O-Ring
204	651029	1	Screw – Torx T-10, 5-40 x 7/16"	308	35539	1	Fill Tube Clip
205	651019	1	Screw – Torx T-10, 6-32 x 41/64"	310	35700	1	Dipstick
206	610973	1	Terminal	314	650873	1	Screw, 1/4-20 x 3/4"
207	35692	1	Choke Link	315	611104	1	Alternator Coil (3/5) (Incl. 321-323)
209	650821	2	Screw	321	611161	1	Diode
212	30773A	1	Bushing	322	611142	1	Connector Body
212A	36288	1	Bushing	323	611118	2	Terminal
213	650930	1	Screw, 10-32 x 5/8"	328	35062	2	Ignition Keys
215	35438	1	Control Knob	329	610973	1	Terminal
216	35679	1	R.P.M. Adjusting Lever	335	37096	1	Carburetor Cover
219	35689	1	Choke Rod	335A	37087	1	Carburetor Cover
220	35440	1	Choke Knob	338	650821	4	Screw, 10-32 x 1/2"
222	28820	2	Screw, 10-32 x 1/2"	341	37093	1	Fuel Tank Bracket
223	650971	2	Screw – Torx T-30, 5/16-18 x 7/8"	342	792028	2	Screw, 5/16-18 x 7/8"
224	33515A	1	Intake Pipe Gasket	343	35079	1	Key Switch Bracket
260	37092	1	Blower Housing	343A	651060	1	Screw, 10-32 x 23/64"
261	650738	1	Screw, 1/4-20 x 5/8"	345	37097	1	Heat Baffle
262	29747B	2	Screw – Torx T-40, 5/16-24 x 21/32"	345A	650821	1	Screw, 10-32 x 1/2"
264A	30063	1	Screw – Torx T-30, 1/4-20 x 1/2"	350	570682A	1	Primer Assembly
265	37086	1	Cylinder Head Cover	351	32180C	1	Primer Line
266	650876	2	Screw, 5/16-18 x 1-9/32	355	590574	1	Starter Handle
269	35762	2	Exhaust Gasket	370C	36501	1	Primer Decal
270	37263	1	Manifold	370I	37119	1	Warning Decal
270A	35829A	1	Exhaust Port Liner	370J	37226	1	Throttle Decal
271	35293	1	Locking Plate (Manifold)	370K	36695	1	Starter Decal
275	37264	1	Muffler	380	640105	1	Carburetor (Incl. Ref.# 184)
276	36348	1	Locking Plate	390	590749	1	Rewind Starter (Note: This engine could have been built with 590733 starter.)
277	650877	2	Screw, 5/16-18 x 4-12"	396	37105	1	Electric Starter Motor (Optional)
279	650821	4	Screw, 10-32 x 1/2"	400	36947B	1	Gasket Set (Incl. Items Marked PK in Notes) Incl. part #'s 27272A (1), 27 896A (2), 33263 (1), 33515A (1), 3426 5 (1), 35317 (1), 35683 (1), 35762 (2), 35952 (1), 36333 (1), 36352 (1), 3 6358 (1), 36930 (1), 36932 (1), 36942 (1)
280	37265	1	Heat Shield	420	730226A	1	SAE 5W30 4-Cycle Engine Oil (Quart)
280A	37106	1	Radiation Heat Shield				
281	33013	1	Starter Bubble Cover				
282	650760	1	Screw, 8-12 x 3/8"				
285	35985B	1	Starter Cup				
287	29752	4	Nut & Lock Washer, 1/4-28				
290	30962	1	Fuel Line				
291	29774	1	Fuel Line				

Obtain Parts From Tecumseh

Engine Assembly

OHSK 130-223818C (Only on: 38592)



Engine Assembly

OHSK 130-223818C (Only on: 38592)

Ref. No.	Part No.	Qty.	Description	Ref. No.	Part No.	Qty.	Description
1	37083	1	Cylinder (Incl. 2, 20, 72 & 80)	71	35377	1	Crankshaft Bushing
2	27652	2	Dowel Pin	72	27642	1	Oil Drain Plug
3	650820	2	Screw, 1/4-20 x 1/2"	75	35319	1	Oil Seal
14	28277	1	Washer	80	35751	1	Governor Shaft
14A	651057	1	Washer	81	35479	2	Washer
15	35685	1	Governor Rod (Incl.14 & 38)	82	35321	1	Governor Gear ASM
16	35686A	1	Governor Lever (Incl.212A)	83	35322	1	Governor Spool
17	29916	1	Governor Lever Clamp	84	29193	1	Retaining Ring
18	651028	1	Screw - Torx T-15, 8-32 x 3/8"	86	650833	7	Screw, 1/4-20 x 1-3/16"
19	35688	1	Throttle Spring	87	650832	1	Screw, 1/4-20 x 1-11/16"
20	35319	1	Oil Seal	89	32589	1	Flywheel Key
25	36460	1	Blower Housing Baffle	90	611093	1	Flywheel (W/Ring Gear)
26	650561	2	Screw, 1/4-20 x 5/8"	92	650880	1	Lock Washer
28	30322	1	Lock Nut, 10-32	93	650881	1	Flywheel Nut
30	36706	1	Crankshaft	100	35135	1	Solid State Ignition
31	35327	1	Counterbalance Gear	101	610118	1	Spark Plug Cover
35	29826	1	Screw, 10-32 x 3/4"	102	651024	2	Solid State Mounting Stud
36	29918	1	Lock Washer	103	651007	2	Screw - Torx T-15, 10-24 x 15/16"
37	29216	1	Lock Nut, 10-32	110	35187	1	Ground Wire
38	29642	3	Retaining Ring	110A	37047	1	Ground Wire
40	35776A	1	Piston, Pin & Ring Set (Std.)	119	36932	1	Cylinder Head Gasket
40	35777A	1	Piston, Pin & Ring Set (.010" OS)	120	37491	1	Cylinder Head (Incl. 151A)
40	35778A	1	Piston, Pin & Ring Set (.020" OS)	125	36934	1	Exhaust Valve (Std.)
41	35773A	1	Piston & Pin Ass'y (Std.) (Incl. 43)	125	36936	1	Exhaust Valve (1/32" OS)
41	35774A	1	Piston & Pin Ass'y (.010" OS) (Incl.43)	126	36935	1	Intake Valve (Std.)
41	35775A	1	Piston & Pin Ass'y (.020" OS) (Incl. 43)	126	36937	1	Intake Valve (1/32" OS)
42	35779	1	Ring Set (Std.)	127	650691	6	Washer
42	35780	1	Ring Set (.010" OS)	128	650690	6	Belleville Washer
42	35781	1	Ring Set (.020" OS)	130	650697A	6	Screw, 5/16-18 x 2-1/2"
43	35772	2	Piston Pin Retaining Ring	135	34645	1	Spark Plug (RN4C)
45	36898	1	Connecting Rod ASM (Incl. 47)	150	33507	2	Valve Spring
47	651033	2	Connecting Rod Bolt	151	33508	2	Valve Spring Keeper
48	35313	2	Valve Lifter	151A	35862	1	Intake Valve Seal
50	35682A	1	Camshaft (MCR)	153	35949	1	Push Rod Guide
51	35315A	1	Counterbalance Weight	154	650945	2	Rocker Arm Stud
60	35316A	1	Blower Housing Extension	155	35950	2	Rocker Arm
65	30200	1	Screw, 10-24 x 9/16"	157	650947	2	Jam Nut
66	30063	1	Screw - Torx T-30, 1/4-20 x 1/2"	158	35466	2	Push Rod
69	35683	1	Cylinder Cover Gasket	159	35952	1	Rocker Arm Cover Gasket
70	35684A	1	Cylinder Cover (Incl. 14,15,38,71,75)	160	35953A	1	Rocker Arm Cover
				161	30063	4	Screw - Torx T-30, 1/4-20 x 1/2"
				163	650890	2	Lock Washer
				169	27896A	2	Valve Cover Gasket
				170	28423	1	Breather Body
				171	28424	1	Breather Element
				172	28425	1	Valve Cover
				173	35350	1	Breather Tube

Obtain Parts From Tecumseh

Engine Assembly OHSK 130-223818C (Only on: 38592) (Continued)

Ref. No.	Part No.	Qty.	Description	Ref. No.	Part No.	Qty.	Description
174	650128	2	Screw, 10-24 x 1/2"	291A	29774	1	Fuel Line
180	35954	1	Blower Housing	292	26460	4	Fuel Line Clamp
181	30200	2	Lock Nut, 10-32	295	35857	1	Fuel Shut-Off Valve
182	650517	2	Screw - Torx T-30, 1/4-20 x 27/32	298	650665	2	Screw, 1/4-15 x 3/4"
183	34583A	1	Choke Bracket	300	37099	1	Fuel Tank (Incl. 292 & 301)
184	33263	1	Carb. To Intake Pipe Gasket	301	36246	1	Fuel Cap
185	37085	1	Intake Pipe	302	37098	1	Fuel Tank Extension
186	35691	1	Governor Link	302A	650821	3	Screw, 10-32 x 1/2"
186B	36653	1	Choke Spring	305	35574	1	Oil Fill Tube
200	35702	1	Control Bracket (Incl. 203 & 204)	307	35499	1	O-Ring
202	36482	1	Compression Spring	308	35539	1	Fill Tube Clip
203	31342	1	Compression Spring	310	35700	1	Dipstick
204	651029	1	Screw - Torx T-10, 5-40 x 7/16"	314	650873	1	Screw, 1/4-20 x 3/4"
205	651019	1	Screw - Torx T-10, 6-32 x 41/64"	315	611111	1	Alternator Coil (18 Watt) (Incl. 323)
206	610973	1	Terminal	323	611118	1	Terminal
207	35692	1	Throttle Link	328	35062	2	Ignition Keys
209	650821	2	Screw, 10-32 x 1/2"	329	610973	1	Terminal
212	30773A	1	Bushing	335	37096	1	Carburetor Cover
212A	36288	1	Bushing	335A	37087	1	Carburetor Cover
213	650930	1	Screw, 10-32 x 5/8"	338	650821	4	Screw, 10-32 x 1/2"
215	35438	1	Control Knob	341	37093	1	Fuel Tank Bracket
216	35679	1	R.P.M. Adjusting Lever	342	792028	2	Screw, 5/16-18 x 7/8"
219	35689	1	Choke Rod	343	35079	1	Key Switch Bracket
220	35440	1	Choke Knob	343A	651060	1	Screw, 10-32 x 23/64"
222	28820	2	Screw, 10-32 x 1/2"	345	37097	1	Heat Baffle
223	650971	2	Screw - Torx T-30, 5/16-18 x 7/8"	345A	650821	1	Screw, 10-32 x 1/2"
224	33515A	1	Intake Pipe Gasket	350	570682A	1	Primer Assembly
260	37092	1	Blower Housing	351	32180C	1	Primer Line
261	650738	1	Screw, 1/4-20 x 5/8"	355	590574	1	Starter Handle
262	29747B	2	Screw - Torx T-40, 5/16-24 x 21/32"	361	650990	2	Screw - Torx T-30, 1/4-20 x 15/32"
264A	30063	1	Screw - Torx T-30, 1/4-20 x 1/2"	369	651032	2	Screw, 12-16 x 5/8"
265	37086	1	Cylinder Head Cover	370C	36501	1	Primer Decal
266	650876	2	Screw, 5/16-18 x 1-9/32"	370I	37119	1	Warning Decal
269	35762	2	Exhaust Gasket	370J	37226	1	Throttle Decal
270	37263	1	Manifold	370K	36695	1	Starter Decal
270A	35829A	1	Exhaust Port Liner	380	640105	1	Carburetor (Incl. 184)
271	35293	1	Locking Plate (Manifold)	390	590749	1	Rewind Starter (Note: This engine could have been built with 590733 starter.)
275	37264	1	Muffler	396	37105	1	Electric Starter Motor (120 Volt)
276	36348	1	Locking Plate	400	36947B	1	Gasket Set (Incl. Items Marked PK in Notes) Incl. part #'s 27272A (1), 27 896A (2), 33263 (1), 33515A (1), 3426 5 (1), 35317 (1), 35683 (1), 35762 (2), 35952 (1), 36333 (1), 36352 (1), 3 6358 (1), 36930 (1), 36932 (1), 36942 (1)
277	650877	2	Screw, 5/16-18 x 4-1/2"	420	730226A	1	SAE 5W30 4-Cycle Engine Oil (Quart)
279	651011	4	Screw, 10-32 x 5/16"				
280	37265	1	Heat Shield				
285	35985B	1	Starter Cup				
287	29752	4	Nut & Lock Washer, 1/4-28				
290	30962	1	Fuel Line				

Obtain Parts From Tecumseh

