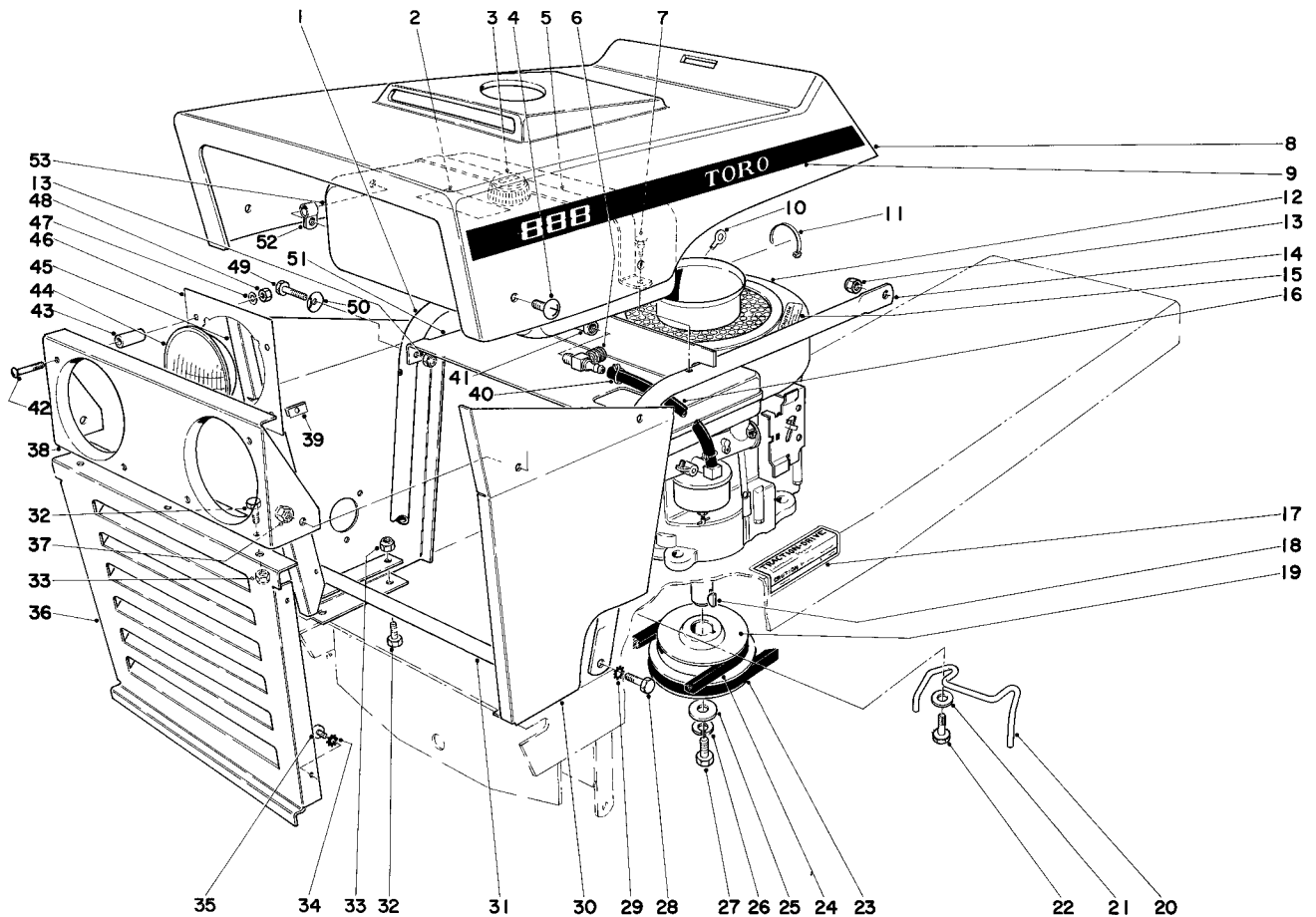


TORO

MODEL NO. 55275-200001 & UP (Traction Unit)
 MODEL NO. 55233-200001 & UP (Cutting Unit)

**PARTS
CATALOG****8 H.P. LAWN TRACTOR TOROMATIC®
(Electric)****HOOD AND ENGINE ASSEMBLY**

| Ref. No. | Part No. | Description | No. Used | Ref. No. | Part No. | Description | No. Used |
|----------|----------|----------------------------|----------|----------|----------|---|----------|
| 1 | 7-7570 | Support - R.H. | 1 | 14 | 7-7560 | Support Left | 1 |
| 2 | 7-4600 | Decal - Gas Tank | 1 | 15 | 11-3450 | Decal - Caution | 1 |
| 3 | 12-0580 | Gas Cap Assembly | 1 | 16 | 7-3983 | Hose Gas | 1 |
| 4 | 3258-158 | Screw Rd. Hd. Phillips | 4 | 17 | 12-4070 | Decal - Traction Drive | 1 |
| 5 | 17-1150 | Hold Down - Gas Tank | 1 | 18 | 3257-3 | Woodruff Key | 1 |
| 6 | 7-7260 | Valve - Gas Shut-Off | 1 | 19 | 7-7550 | Pulley | 1 |
| 7 | 32104-76 | Hex Hd. Self Tapping Screw | 2 | 20 | 7-8710 | Guide - Belt | 1 |
| 8 | 7-7890 | Hood | 1 | 21 | 3256-2 | Washer | 2 |
| 9 | 12-4220 | Decal Hood L.H. | 1 | 22 | 32140-15 | Self Tapping Screw | 2 |
| * | 12-4230 | Decal Hood R.H. | 1 | 23 | 7-9390 | V-Belt Traction $\partial \curvearrowright$ | 1 |
| 10 | 218-445 | Terminal Closed End | 2 | 24 | 7-4231 | V-Belt | 1 |
| 11 | 7-3123 | Cable Tie | 2 | 25 | 3256-4 | Flat Washer | 1 |
| 12 | 221-376 | Engine | 1 | 26 | 3253-21 | Lockwasher | 1 |
| 13 | 32152-4 | Locknut | 3 | 27 | 3211-5 | Capscrew | 1 |

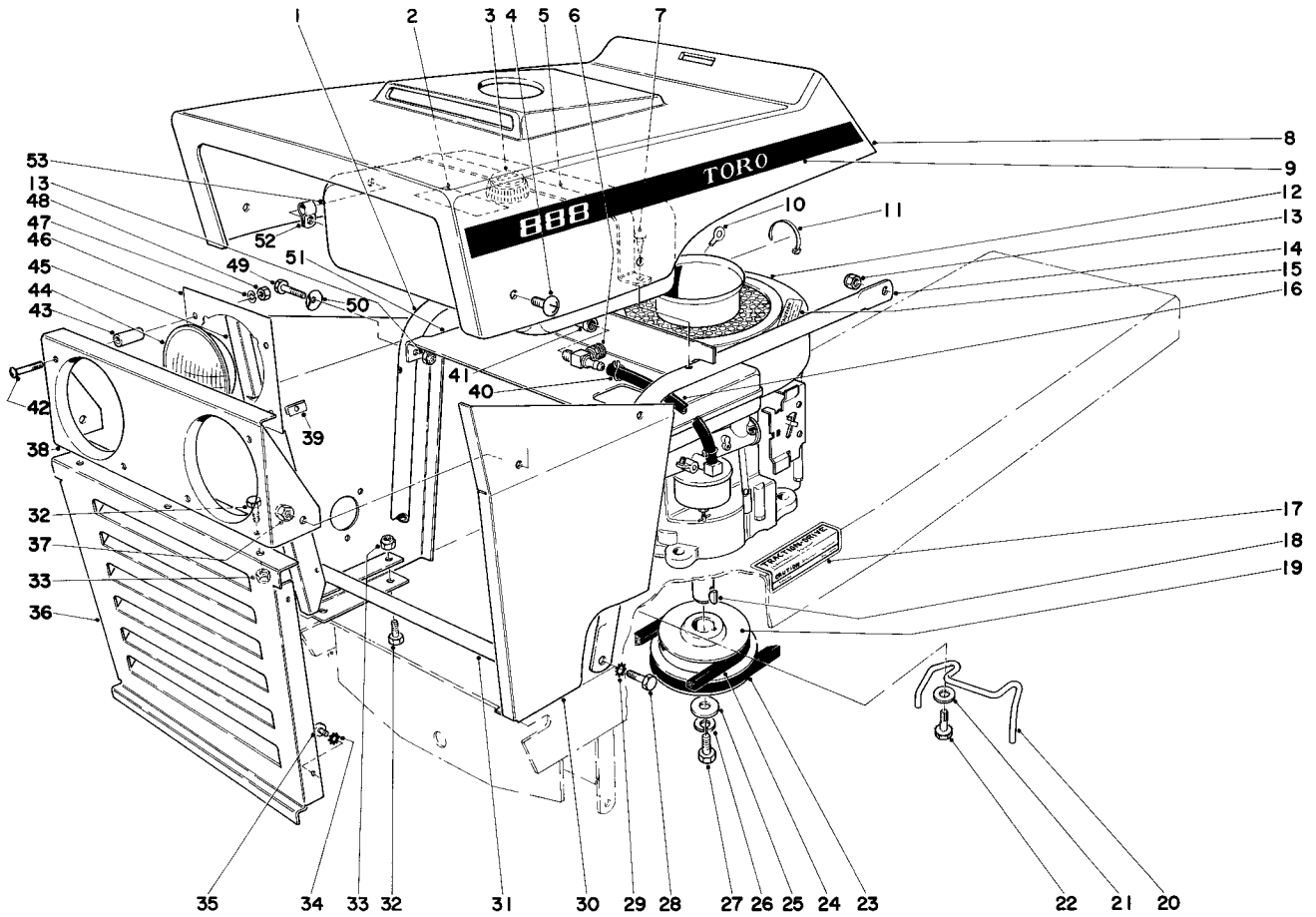
*Not Illustrated

Copyright 1972 By

TheToroCompany

Bloomington, Minnesota 55420 U.S.A.

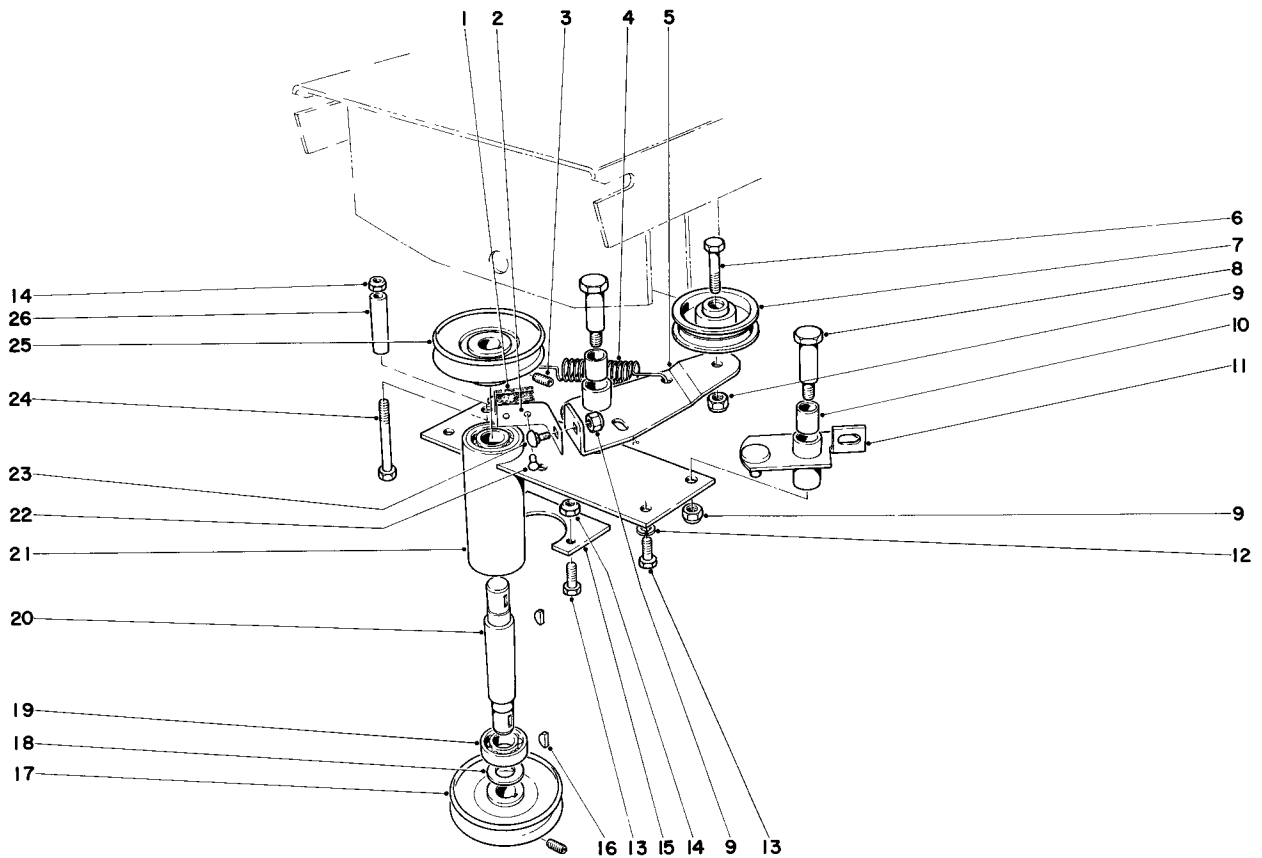
Price \$1.00



HOOD AND ENGINE ASSEMBLY (Continued)

| Ref. No. | Part No. | Description | No. Used |
|----------|----------|-------------------|----------|
| 28 | 322-3 | Capscrew | 2 |
| 29 | 3255-8 | Washer Ext. Tooth | 2 |
| 30 | 7-5310 | Skin - Left Front | 1 |
| 31 | 7-4106 | Hinge | 1 |
| 32 | 321-2 | Capscrew | 7 |
| 33 | 32152-4 | Locknut | 7 |
| 34 | 3255-17 | Lockwasher | 4 |
| 35 | 3290-111 | Screw Pan Head | 4 |
| 36 | 12-3850 | Grille | 1 |
| 37 | 32152-1 | Locknut | 4 |
| 38 | 7-4213 | Headlamp Panel | 1 |
| 39 | 3290-191 | Tinnerman Clip | 4 |
| 40 | 2412-33 | Clamp - Gas Line | 2 |

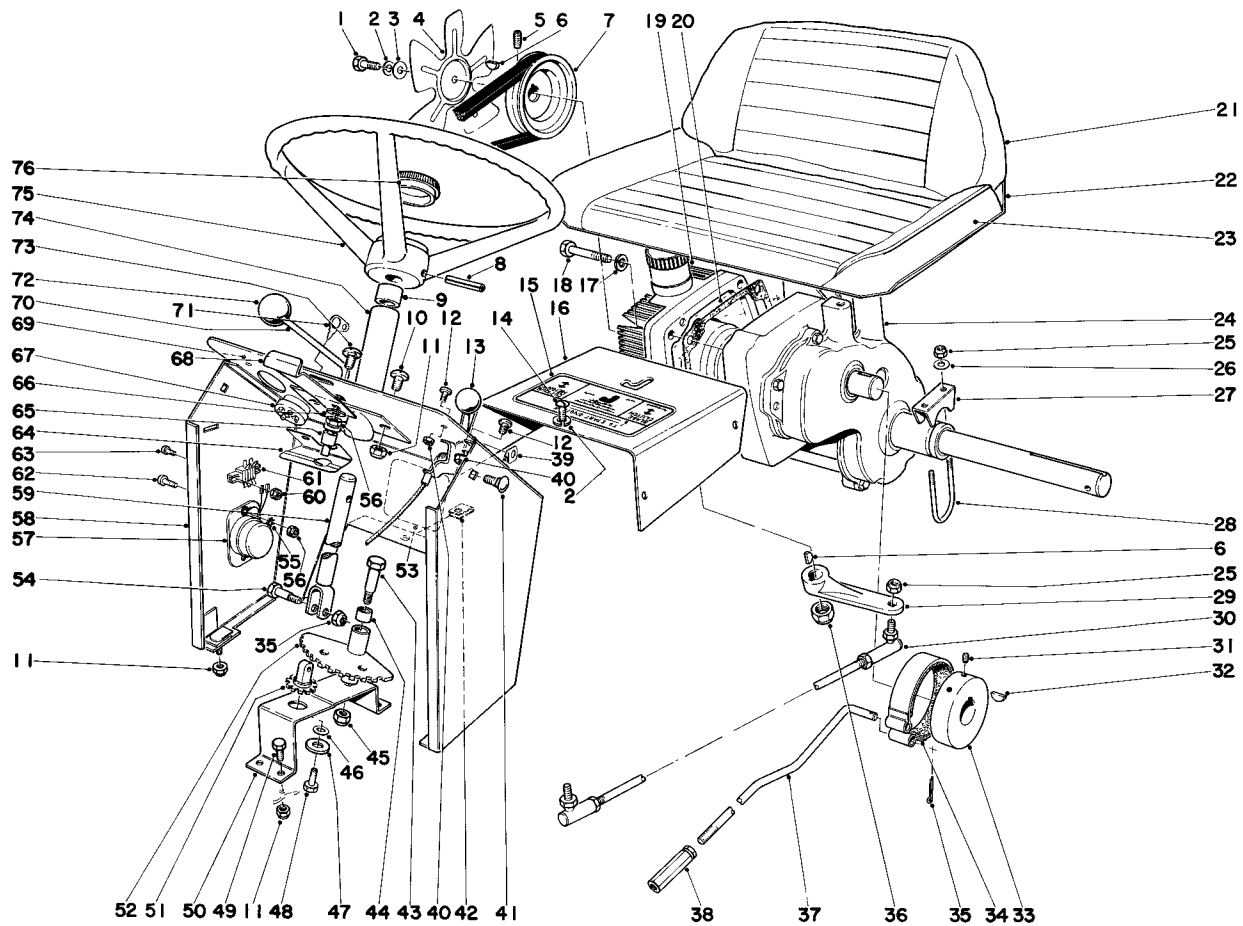
| Ref. No. | Part No. | Description | No. Used |
|----------|----------|------------------------|----------|
| 41 | 7-8180 | 90° Elbow w/screen | 1 |
| 42 | 32122-45 | Screw Rd. Hd. Phillips | 4 |
| 43 | 7-4254 | Spacer | 4 |
| 44 | 7-1646 | Headlamp | 2 |
| 45 | 7-7880 | Skin - Right Front | 1 |
| 46 | 7-4320 | Holder - Headlight | 2 |
| 47 | 3253-12 | Lockwasher | 4 |
| 48 | 3217-26 | Nut | 4 |
| 49 | 321-8 | Capscrew | 2 |
| 50 | 3-7501 | Washer Curved | 2 |
| 51 | 7-7920 | Tray Gas Tank | 1 |
| 52 | 2412-10 | Clamp | 1 |
| 53 | 17-1130 | Gas Tank | 1 |



POWER TAKE-OFF ASSEMBLY

| Ref. No. | Part No. | Description | No. Used |
|----------|----------|--------------------------------|----------|
| 1 | 7-0643 | Brake Lining | 1 |
| 2 | 7-4093 | Spring-Power Take-Off Brake | 1 |
| 3 | 3246-1 | Set Screw | 4 |
| 4 | 7-3970 | Spring Tension | 1 |
| 5 | 7-4190 | Idler Plate | 1 |
| 6 | 323-3 | Capscrew | 1 |
| 7 | 3-4244 | Idler Pulley | 1 |
| 8 | 12-7610 | Shoulder Bolt | 2 |
| 9 | 32152-2 | Locknut | 4 |
| 10 | 256-172 | Bushing | 2 |
| 11 | 7-4094 | Pivot Bracket (Incl. Ref. #10) | 1 |
| 12 | 3253-4 | Lockwasher | 3 |
| 13 | 322-2 | Capscrew | 5 |

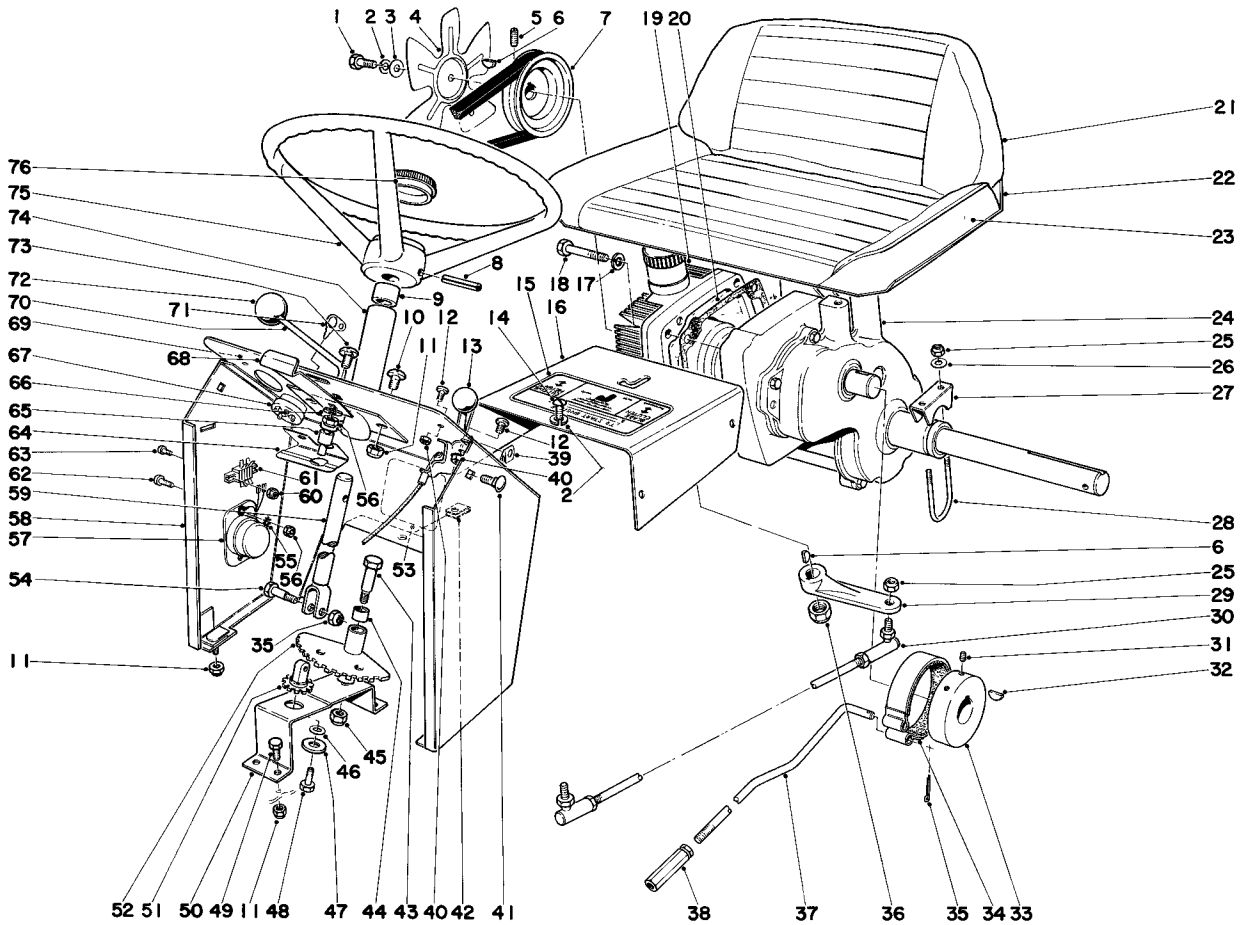
| Ref. No. | Part No. | Description | No. Used |
|----------|----------|-------------------------------|----------|
| 14 | 32152-1 | Locknut | 3 |
| 15 | 7-8230 | Retainer, Power Take-Off Tube | 1 |
| 16 | 3257-5 | Key | 2 |
| 17 | 7-4096 | Pulley | 1 |
| 18 | 7-0777 | Washer Bearing | 1 |
| 19 | 251-5 | Bearing | 2 |
| 20 | 7-4095 | Shaft-Power Take-Off | 1 |
| 21 | 7-8210 | Power Take-Off Tube | 1 |
| 22 | 3295-21 | Pop Rivet | 2 |
| 23 | 3231-21 | Carriage Bolt | 1 |
| 24 | 322-12 | Capscrew | 1 |
| 25 | 7-3796 | Pulley | 1 |
| 26 | 7-4097 | Spacer | 1 |



DASH AND TRANSAXLE ASSEMBLY

| Ref. No. | Part No. | Description | No. Used |
|----------|----------|--------------------------|----------|
| 1 | 321-3 | Capscrew | 1 |
| 2 | 3253-3 | Lockwasher | 6 |
| 3 | 3256-2 | Flatwasher | 1 |
| 4 | 7-4226 | Fan | 1 |
| 5 | 3245-2 | Setscrew | 2 |
| 6 | 3257-1 | Woodruff Key | 2 |
| 7 | 7-4142 | Pulley | 1 |
| 8 | 32121-78 | Roll Pin | 1 |
| 9 | 256-167 | Bushing | 1 |
| 10 | 3258-158 | Screw, Round Head | 2 |
| 11 | 32152-1 | Locknut | 8 |
| 12 | 3290-305 | Screw, Pan Head | 6 |
| 13 | 7-5370 | Throttle Control | 1 |
| 14 | 3258-2 | Screw, Round Head | 5 |
| 15 | 12-4080 | Decal | 1 |
| 16 | 7-7580 | Tunnel | 1 |
| 17 | 3253-21 | Lockwasher | 4 |
| 18 | 323-14 | Capscrew | 4 |
| 19 | 7-7940 | Hydrostatic Transmission | 1 |
| 20 | 7-4313 | Gasket | 1 |
| 21 | 351-49 | Cushion Seat Back | 1 |
| 22 | 351-51 | Frame - Seat | 1 |
| 23 | 351-50 | Seat Cushion | 1 |

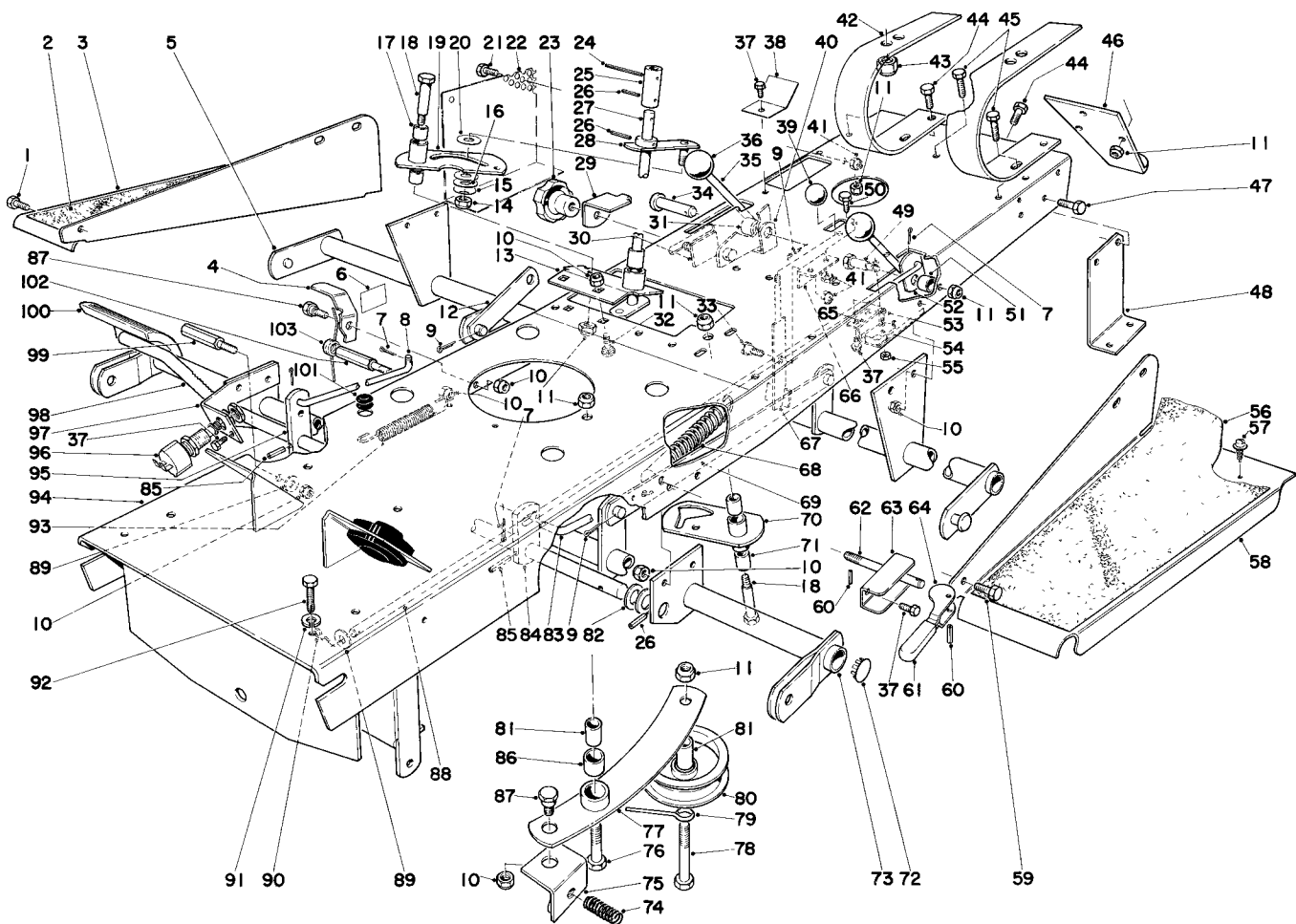
| Ref. No. | Part No. | Description | No. Used |
|----------|----------|----------------------------|----------|
| 24 | 7-4224 | Transaxle | 1 |
| 25 | 32152-5 | Locknut | 6 |
| 26 | 3256-3 | Flatwasher | 4 |
| 27 | 7-0203 | Bracket, Axle | 2 |
| 28 | 7-0202 | U-Bolt | 2 |
| 29 | 7-4176 | Lever Hydrostatic | 1 |
| 30 | 7-4184 | Control Rod - Transmission | 1 |
| 31 | 3246-4 | Set Screw | 1 |
| 32 | 3257-5 | Woodruff Key | 1 |
| 33 | 7-4276 | Brake Drum | 1 |
| 34 | 7-3876 | Brake - Band Assembly | 1 |
| 35 | 3272-6 | Cotter Pin | 1 |
| 36 | 32152-2 | Locknut | 1 |
| 37 | 7-4275 | Brake Rod Rear | 1 |
| 38 | 7-4193 | Screw Brake Adjustment | 1 |
| 39 | 12-5440 | Strap Cable Tie | 1 |
| 40 | 32149-7 | Nut | 6 |
| 41 | 3229-1 | Carriage Bolt | 2 |
| 42 | 3290-192 | Tinnerman Clip | 5 |
| 43 | 7-5500 | Shoulder Bolt | 1 |
| 44 | 256-100 | Bushing | 2 |
| 45 | 3296-6 | Nut | 1 |
| 46 | 7-5990 | Spacer | 1 |



DASH AND TRANSAXLE ASSEMBLY (Continued)

| Ref. No. | Part No. | Description | No. Used |
|----------|----------|----------------------------------|----------|
| 47 | 7-6640 | Washer | 1 |
| 48 | 321-30 | Capscrew | 1 |
| 49 | 322-3 | Capscrew | 4 |
| 50 | 7-4148 | Bracket Mounting Steering Sector | 1 |
| 51 | 7-6000 | Pinion Steering | 1 |
| 52 | 7-5920 | Gear Steering (Incl. Ref. #44) | 1 |
| 53 | 12-2900 | Decal - Caution | 1 |
| 54 | 7-6010 | Shoulder Screw | 1 |
| 55 | 3255-7 | Washer Ext. Tooth Lock | 2 |
| 56 | 32152-4 | Locknut | 3 |
| 57 | 12-7810 | Ignition Interlock | 1 |
| 58 | 12-7640 | Dash | 1 |
| 59 | 7-5960 | Steering Shaft | 1 |
| 60 | 3296-52 | Locknut | 2 |
| 61 | 12-6730 | Terminal Block | 1 |

| Ref. No. | Part No. | Description | No. Used |
|----------|----------|---|----------|
| 62 | 3290-145 | Screw, Pan Head | 2 |
| 63 | 3290-93 | Screw, Pan Head | 2 |
| 64 | 7-4180 | Spring - Detent | 1 |
| 65 | 256-172 | Bushing | 2 |
| 66 | 3256-22 | Washer | 1 |
| 67 | 7-5240 | Switch Ignition | 1 |
| 68 | 7-5080 | Latch Hood | 1 |
| 69 | 7-8390 | Decal-Dash | 1 |
| 70 | 7-4178 | Handle Hydrostatic Control (Incl. Ref. #65) | 1 |
| 71 | 218-412 | Key (Set of 2) | 1 |
| 72 | 233-24 | Knob | 1 |
| 73 | 3229-23 | Carriage Bolt | 1 |
| 74 | 7-4038 | Steering Tube (Incl. Ref. #9) | 1 |
| 75 | 238-5 | Steering Wheel | 1 |
| 76 | 7-4323 | Steering Wheel Cap | 1 |

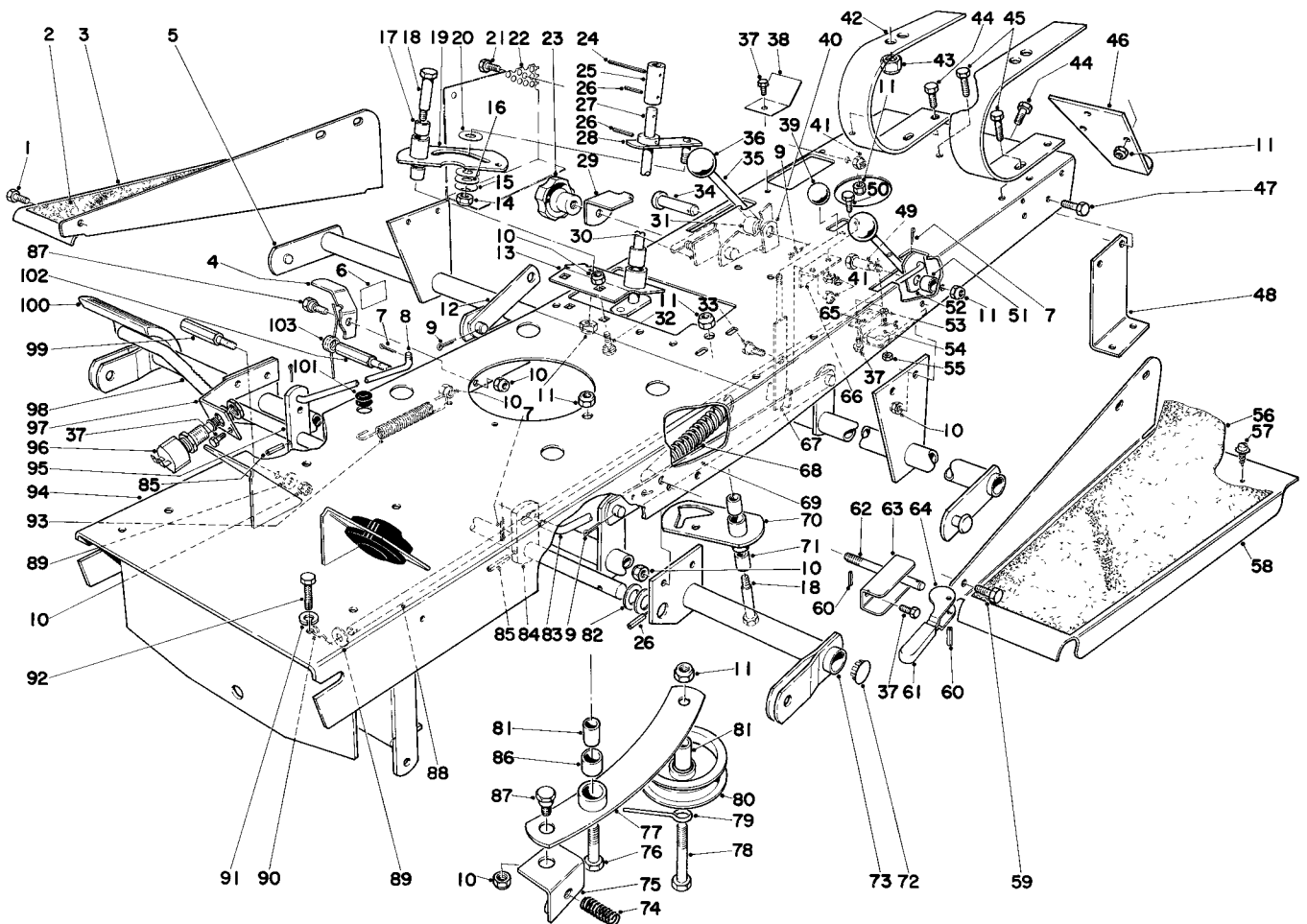


FRAME ASSEMBLY

| Ref. No. | Part No. | Description | No. Used |
|----------|----------|----------------------------------|----------|
| 1 | 322-4 | Capscrew | 1 |
| 2 | 7-4128 | Pad, Right Hand | 1 |
| 3 | 7-4033 | Footrest, Right Hand | 1 |
| 4 | 12-8750 | Latch | 1 |
| 5 | 7-5770 | Cross Tube | 1 |
| 6 | 12-4020 | Decal Brake | 1 |
| 7 | 3272-6 | Cotter Pin | 4 |
| 8 | 7-4185 | Link Neutralizer | 1 |
| 9 | 3272-7 | Cotter Pin | 5 |
| 10 | 32152-1 | Locknut | 10 |
| 11 | 32152-2 | Locknut | 10 |
| 12 | 7-4195 | Link Lift | 1 |
| 13 | 7-4166 | Bracket-Control | 1 |
| 14 | 3296-44 | Locknut | 1 |
| 15 | 3290-301 | Spring Washer | 1 |
| 16 | 3256-4 | Flatwasher | 1 |
| 17 | 256-206 | Bushing | 2 |
| 18 | 12-7610 | Shoulder Bolt | 2 |
| 19 | 7-4164 | Cam Plate (Incl. Ref. #17) | 1 |
| 20 | 7-4182 | Washer Friction | 2 |
| 21 | 321-2 | Capscrew | 2 |
| 22 | 7-4460 | Fan Guard Slide | 1 |
| 23 | 7-3902 | Knob Height Adjustment | 1 |
| 24 | 32121-82 | Roll Pin | 1 |
| 25 | 7-4181 | Sleeve Handle | 1 |
| 26 | 32121-45 | Roll Pin | 4 |
| 27 | 7-4172 | Handle Hydrostatic Control Lower | 1 |

| Ref. No. | Part No. | Description | No. Used |
|----------|----------|-----------------------------|----------|
| 28 | 7-4160 | Control Crank | 1 |
| 29 | 7-4098 | Slide | 1 |
| 30 | 17-1170 | Knob Plate | 1 |
| 31 | 7-4237 | Spacer | 1 |
| 32 | 3230-1 | Carriage Bolt | 2 |
| 33 | 7-7850 | Shoulder Bolt | 1 |
| 34 | 7-4265 | Pin | 1 |
| 35 | 7-4076 | Lever | 1 |
| 36 | 233-24 | Knob | 2 |
| 37 | 32140-32 | Screw | 5 |
| 38 | 7-5900 | Shield Fan | 1 |
| 39 | 233-17 | Knob - Hydro Release | 1 |
| 40 | 7-4245 | Support Height of Cut Lever | 1 |
| 41 | 32152-4 | Locknut | 4 |
| 42 | 7-7620 | Spring Seat | 2 |
| 43 | 32152-3 | Locknut | 2 |
| 44 | 323-4 | Capscrew | 5 |
| 45 | 3235-1 | Capscrew | 3 |
| 46 | 7-4032 | Hitch | 1 |
| 47 | 322-2 | Capscrew | 4 |
| 48 | 7-4187 | Axle Support L.H. | 1 |
| | * 7-4470 | Axle Support R.H. | 1 |
| 49 | 7-4071 | Shoulder Bolt | 1 |
| 50 | 321-3 | Capscrew | 2 |
| 51 | 7-4070 | Spacer | 1 |
| 52 | 7-4073 | Lever | 1 |
| 53 | 3290-93 | Screw Pan Head | 2 |
| 54 | 12-3320 | Micro Switch | 1 |

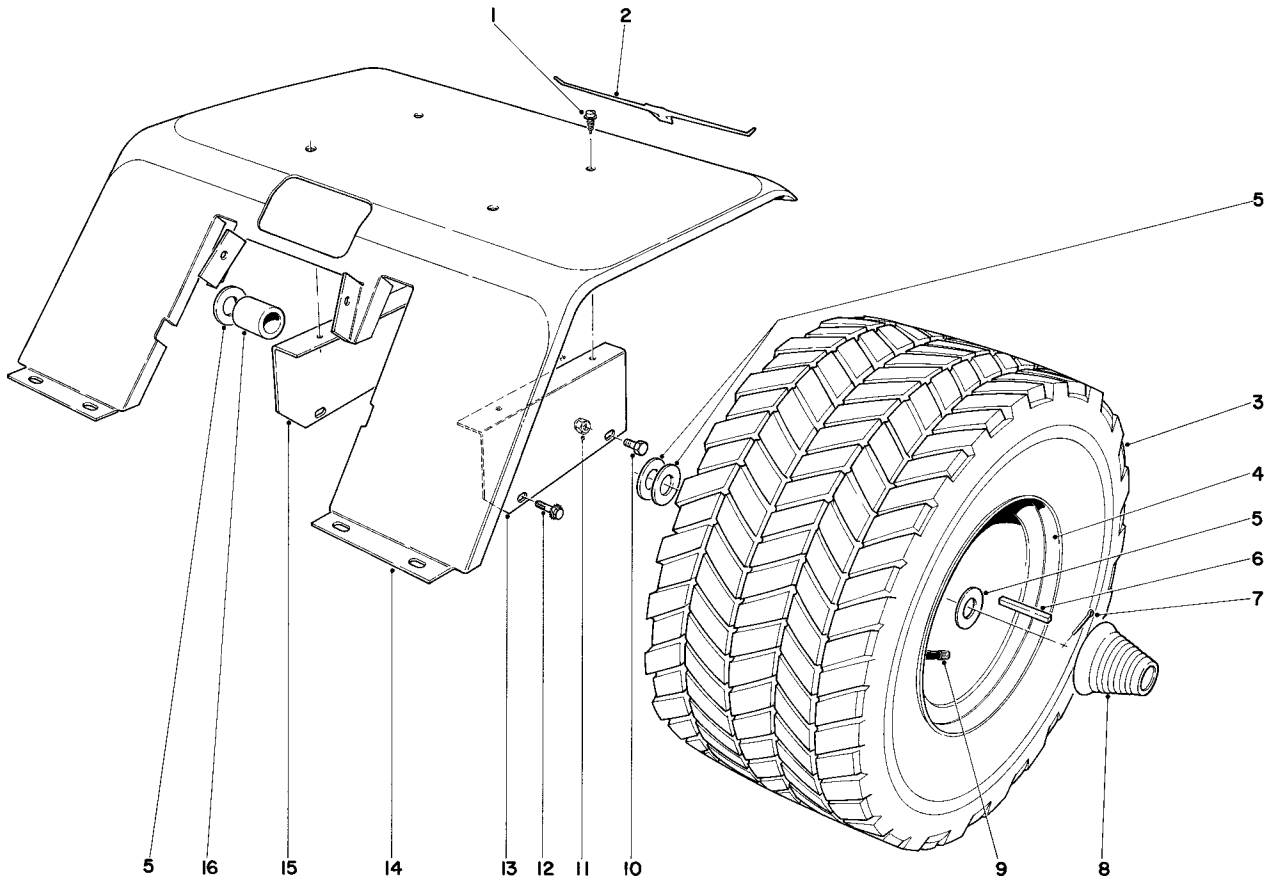
*Not Illustrated



FRAME ASSEMBLY (Continued)

| Ref. No. | Part No. | Description | No. Used |
|----------|----------|---------------------------------------|----------|
| 55 | 3296-52 | Locknut | 2 |
| 56 | 7-4130 | Pad Left | 1 |
| 57 | 32104-77 | Self Tapping Screw | 4 |
| 58 | 7-4034 | Footrest | 1 |
| 59 | 322-6 | Capscrew | 5 |
| 60 | 32121-73 | Roll Pin | 2 |
| 61 | 7-6560 | Handle Grip | 1 |
| 62 | 7-6540 | Adjustment Rod | 1 |
| 63 | 7-5850 | Retainer Idler | 1 |
| 64 | 7-5780 | Idler Crank | 1 |
| 65 | 12-6880 | Bracket Switch | 1 |
| 66 | 7-7840 | Bracket Pivot | 1 |
| 67 | 7-7800 | Drive Lever | 1 |
| 68 | 7-4292 | Spring Tension Counterbalance | 1 |
| 69 | 7-4052 | Lift Equalizer | 1 |
| 70 | 7-4170 | Plate Neutralizer (Incl. Ref. #71) | 1 |
| 71 | 256-172 | Bushing | 2 |
| 72 | 2410-26 | Plug Button | 4 |
| 73 | 7-4022 | Cross Tube Front | 1 |
| 74 | 7-5840 | Spring Compression | 1 |
| 75 | 7-5860 | Swivel Bracket | 1 |
| 76 | 323-8 | Capscrew | 1 |
| 77 | 7-5830 | Idler Bracket (Incl. Ref. #86) | 1 |
| 78 | 323-13 | Capscrew | 1 |

| Ref. No. | Part No. | Description | No. Used |
|----------|----------|-------------------------|----------|
| 79 | 7-6530 | Belt Retainer | 1 |
| 80 | 7-4660 | Idler Pulley | 1 |
| 81 | 7-6550 | Spacer Idler | 2 |
| 82 | 3256-27 | Flatwasher | 3 |
| 83 | 7-4277 | Brake Rod Front | 1 |
| 84 | 7-4278 | Lever Brake | 1 |
| 85 | 32121-51 | Roll Pin | 2 |
| 86 | 256-173 | Bushing | 1 |
| 87 | 12-1450 | Shoulder Bolt | 2 |
| 88 | 7-4196 | Rod Clutch | 1 |
| 89 | 3256-3 | Flatwasher | 2 |
| 90 | 3290-307 | Hair Pin Cotter | 1 |
| 91 | 3253-4 | Lockwash | 2 |
| 92 | 32104-28 | Self Tapping Screw | 2 |
| 93 | 7-4291 | Spring Pedal Return | 1 |
| 94 | 12-3920 | Frame | 1 |
| 95 | 7-4183 | Pedal Crank Neutralizer | 1 |
| 96 | 12-6770 | Neutral Switch | 1 |
| 97 | 12-8420 | Bracket Switch | 1 |
| 98 | 12-6850 | Pedal | 1 |
| 99 | 7-3668 | Pedal Stop | 1 |
| 100 | 7-3900 | Pad Brake Pedal | 1 |
| 101 | 237-62 | Grommet | 2 |
| 102 | 7-4590 | Stop Pedal | 1 |
| 103 | 17-1030 | Spring - Brake Latch | 1 |

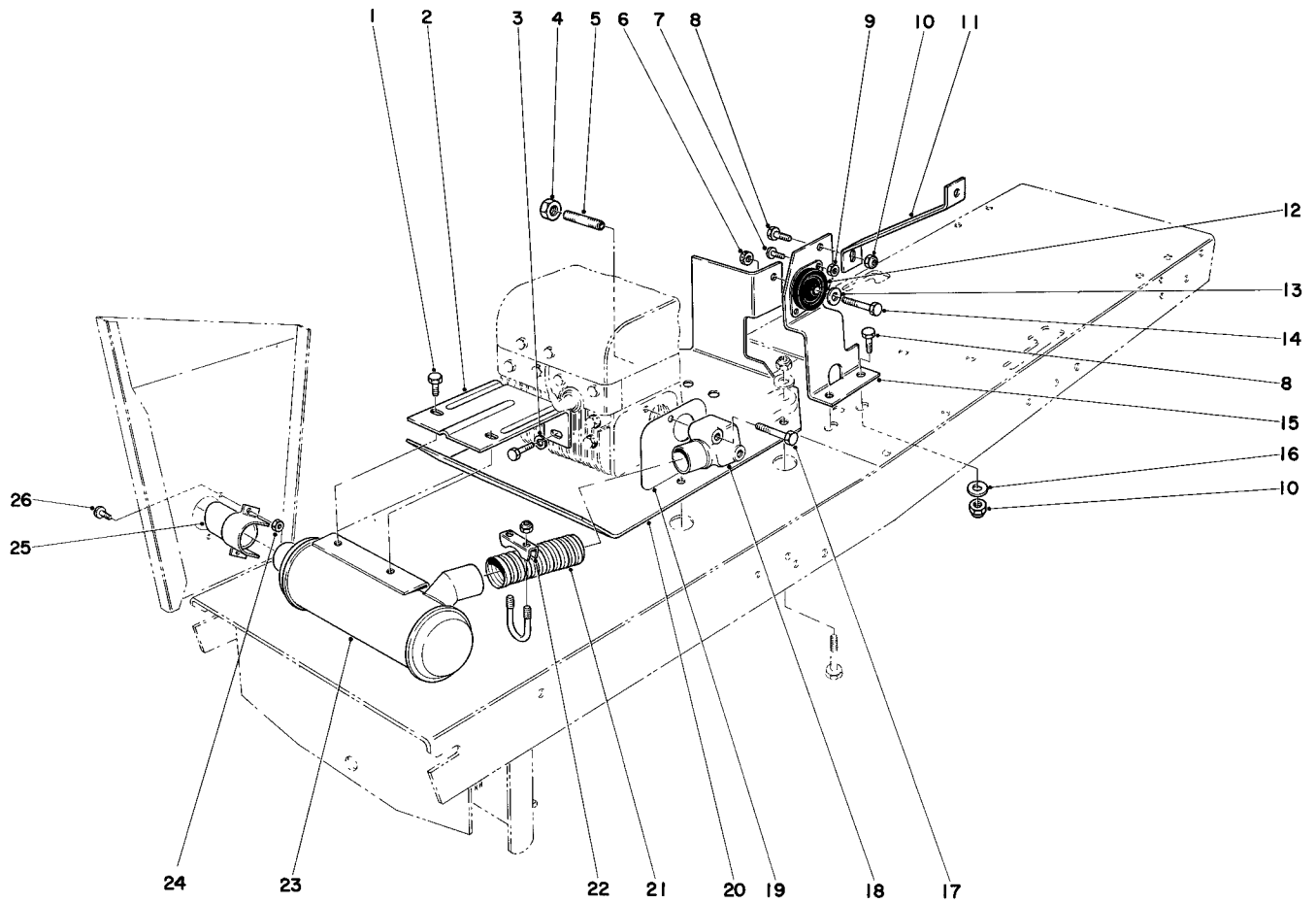


REAR TIRE AND FENDER ASSEMBLY

| Ref. No. | Part No. | Description | No. Used |
|----------|----------|---------------------|----------|
| 1 | 32104-77 | Screw Self Tapping | 4 |
| 2 | 7-8050 | Decal - Rear Fender | 1 |
| 3 | 231-57 | Terra Tire | 2 |
| * | 231-66 | Turf King Tire | 2 |
| 4 | 217-94 | Rim | 2 |
| 5 | 7-4198 | Washer | 5 |
| 6 | 5-1718 | Key | 2 |
| 7 | 3272-23 | Cotter Pin | 2 |
| 8 | 7-4116 | Hub Cap - Rear | 2 |

| Ref. No. | Part No. | Description | No. Used |
|----------|----------|----------------------|----------|
| 9 | 232-21 | Valve Stem | 2 |
| 10 | 322-3 | Capscrew | 2 |
| 11 | 32152-1 | Locknut | 2 |
| 12 | 32140-15 | Self Tapping Screw | 2 |
| 13 | 7-4118 | Fender Support Right | 1 |
| 14 | 12-8990 | Fender | 1 |
| 15 | 7-4120 | Fender Support Left | 1 |
| 16 | 7-4197 | Spacer | 1 |

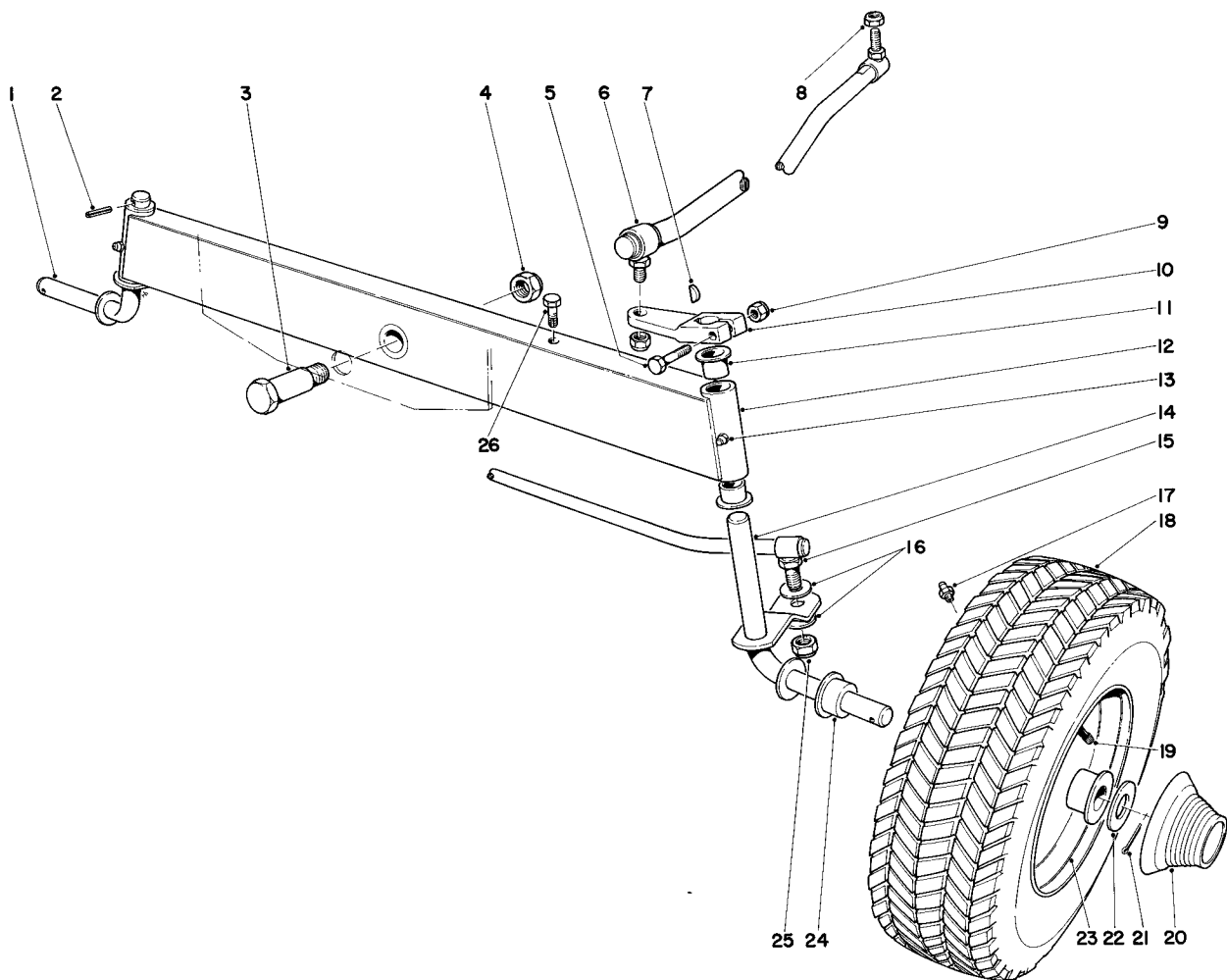
*Not Illustrated



EXHAUST ASSEMBLY

| Ref. No. | Part No. | Description | No. Used |
|----------|----------|------------------|----------|
| 1 | 322-1 | Capscrew | 2 |
| 2 | 7-7870 | Hanger, Muffler | 1 |
| 3 | 3253-4 | Lockwasher | 2 |
| 4 | 7-8720 | Cap - Pipe | 1 |
| 5 | 289-36 | Pipe Nipple | 1 |
| 6 | 32153-2 | Locknut | 3 |
| 7 | 32122-30 | Truss Head Screw | 6 |
| 8 | 322-3 | Capscrew | 3 |
| 9 | 32153-1 | Locknut | 6 |
| 10 | 32152-1 | Locknut | 3 |
| 11 | 7-7470 | Brace | 1 |
| 12 | 7-6990 | Mount Rubber | 3 |
| 13 | 3256-24 | Washer | 3 |

| Ref. No. | Part No. | Description | No. Used |
|----------|----------|------------------|----------|
| 14 | 323-9 | Capscrew | 3 |
| 15 | 7-7480 | Mount Rear | 1 |
| 16 | 3256-3 | Flatwasher | 2 |
| 17 | 7-8850 | Capscrew | 2 |
| 18 | 7-8760 | Elbow Exhaust | 1 |
| 19 | 7-8970 | Shield - Heat | 1 |
| 20 | 7-7590 | Mount - Engine | 1 |
| 21 | 7-8700 | Tubing - Exhaust | 1 |
| 22 | 5-3179 | Clamp Assembly | 2 |
| 23 | 7-7180 | Muffler | 1 |
| 24 | 32153-1 | Locknut | 2 |
| 25 | 7-7070 | Exhaust Tip | 1 |
| 26 | 3251-2 | Screw Rd. Hd. | 2 |

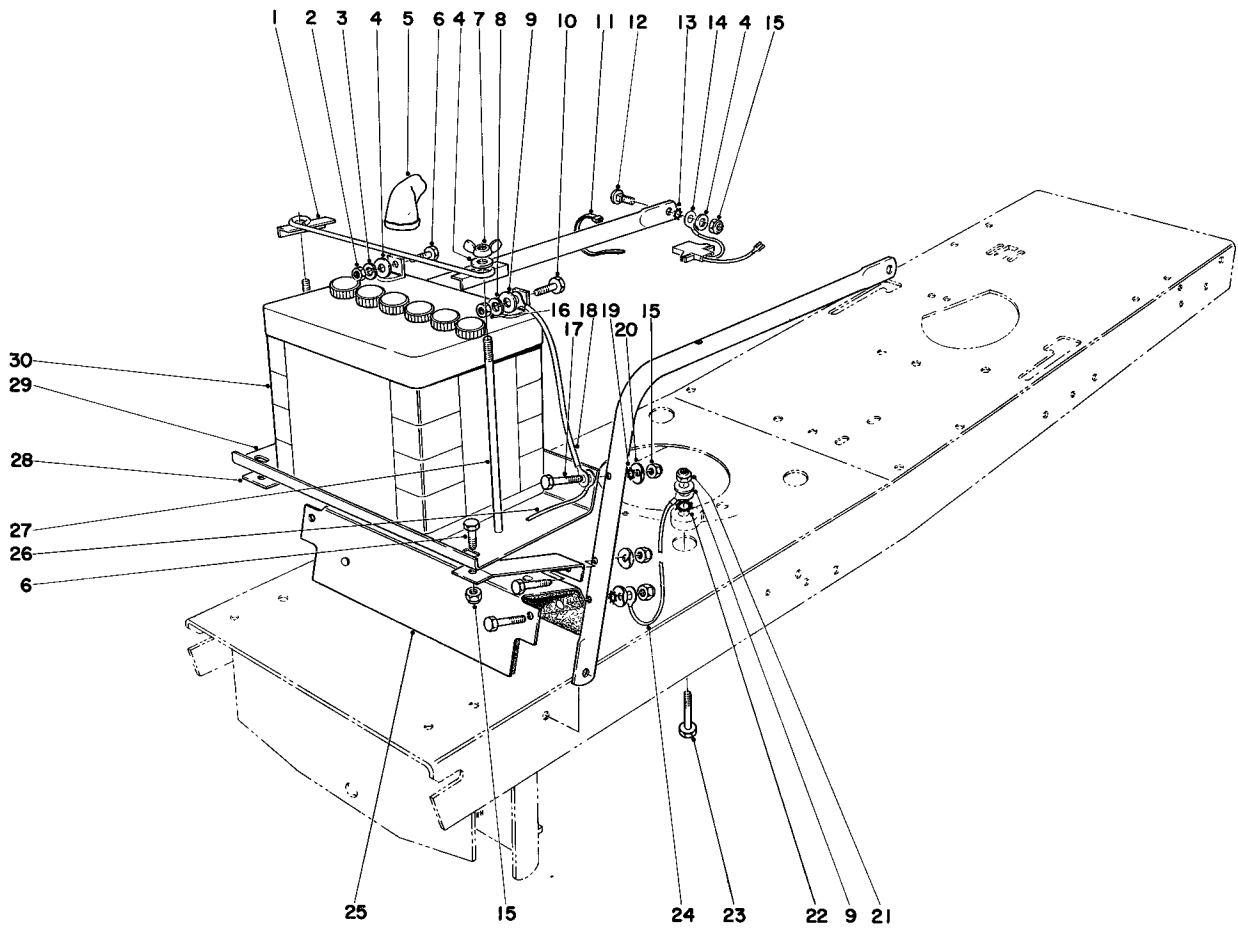


FRONT AXLE ASSEMBLY

| Ref. No. | Part No. | Description | No. Used |
|----------|----------|--------------------------------|----------|
| 1 | 7-4061 | Spindle Right | 1 |
| 2 | 32121-24 | Roll Pin | 1 |
| 3 | 7-3884 | Shoulder Bolt | 1 |
| 4 | 32152-3 | Locknut | 1 |
| 5 | 321-9 | Capscrew | 1 |
| 6 | 7-6330 | Drag Link | 1 |
| 7 | 3257-3 | Woodruff Key | 1 |
| 8 | 32146-6 | Locknut | 2 |
| 9 | 32152-4 | Locknut | 1 |
| 10 | 7-4067 | Arm Drag Link | 1 |
| 11 | 256-136 | Bushing | 4 |
| 12 | 7-4057 | Front Axle (Incl. Ref. No. 11) | 1 |
| 13 | 302-49 | Grease Fitting | 2 |
| 14 | 7-4064 | Spindle Left | 1 |

| Ref. No. | Part No. | Description | No. Used |
|----------|----------|--------------------|----------|
| 15 | 7-4078 | Tie Rod | 1 |
| 16 | 3256-41 | Flat Washer | 4 |
| 17 | 302-5 | Grease Fitting | 2 |
| 18 | 231-49 | Terra Tire | 2 |
| * | 231-67 | Turf King Tire | 2 |
| 19 | 232-27 | Valve Stem | 2 |
| 20 | 7-3932 | Hub Cap Front | 2 |
| 21 | 3272-23 | Cotter Pin | 2 |
| 22 | 7-0126 | Washer | 2 |
| 23 | 241-105 | Rim | 2 |
| 24 | 256-175 | Bushing | 4 |
| 25 | 32146-6 | Locknut | 2 |
| 26 | 32104-6 | Self Tapping Screw | 1 |

*Not Illustrated

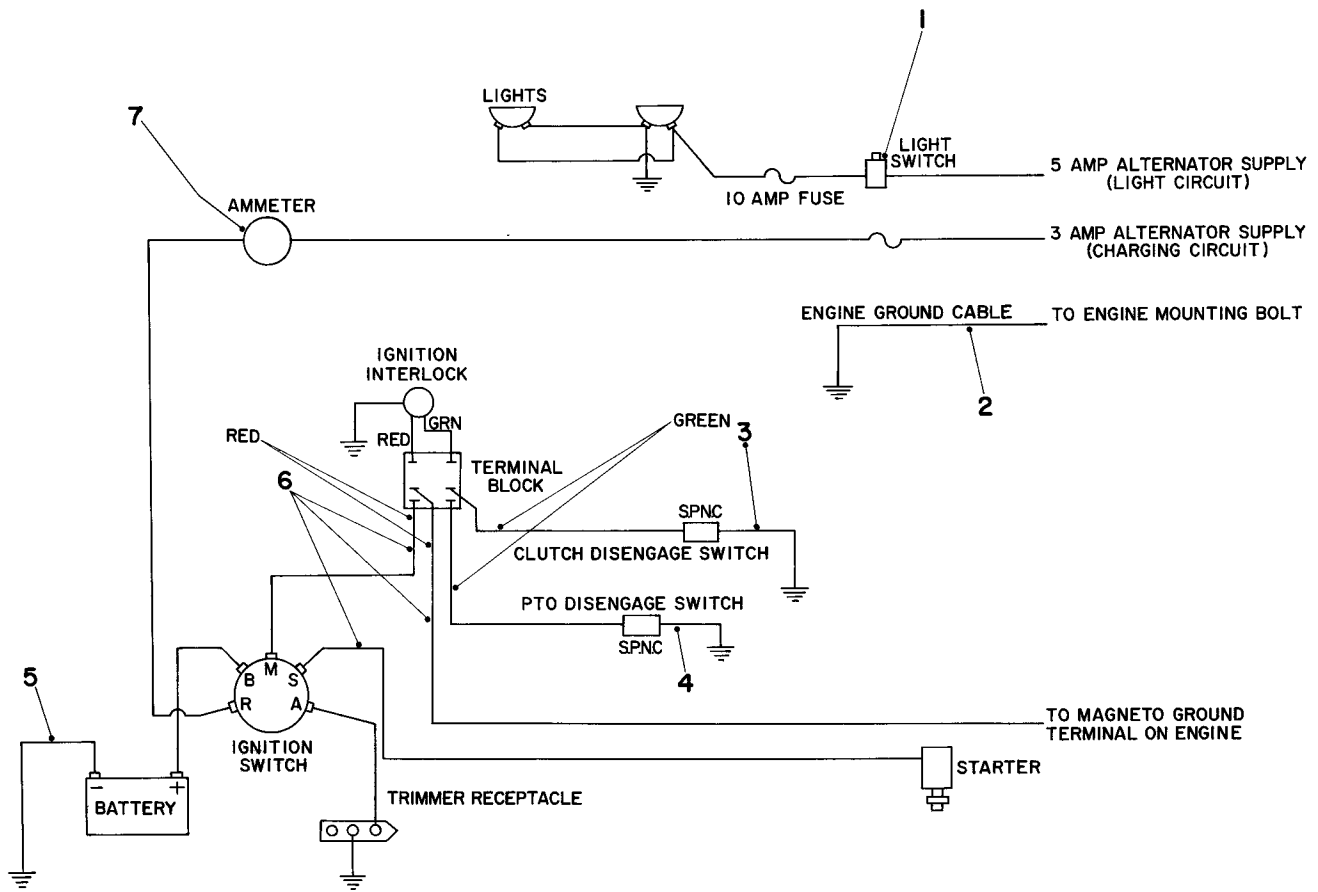


ELECTRICAL ASSEMBLY

| Ref. No. | Part No. | Description | No. Used |
|----------|----------|-------------------|----------|
| 1 | 7-0534 | Clamp Battery | 1 |
| 2 | 3217-5 | Nut | 1 |
| 3 | 3253-3 | Lockwasher | 1 |
| 4 | 3256-22 | Washer Plain | 4 |
| 5 | 218-331 | Terminal Boot | 2 |
| 6 | 321-4 | Capscrew | 3 |
| 7 | 32103-19 | Wing Nut | 2 |
| 8 | 3253-4 | Lockwasher | 1 |
| 9 | 3256-23 | Washer | 5 |
| 10 | 322-3 | Capscrew | 1 |
| 11 | 7-3123 | Cable Tie | 1 |
| 12 | 3229-1 | Carriage Bolt | 1 |
| 13 | 3255-7 | Washer Ext. Tooth | 2 |
| 14 | 7-5230 | Wire Assembly | 1 |
| 15 | 32152-4 | Locknut | 9 |
| 16 | 3217-6 | Hex Nut | 1 |
| 17 | 321-8 | Capscrew | 6 |

| Ref. No. | Part No. | Description | No. Used |
|----------|----------|-----------------------------------|----------|
| 18* | | Wire Assembly Battery to Ground | 1 |
| 19* | 3255-7 | Washer Ext. Tooth | 1 |
| 20 | 3-7501 | Washer Curved | 6 |
| 21 | 32152-1 | Locknut | 4 |
| 22 | 3255-8 | Ext. Tooth Lockwasher | 1 |
| 23 | 322-7 | Capscrew | 4 |
| 24* | | Wire Assembly Engine to Ground | 1 |
| 25 | 7-8040 | Heat Shield Assembly | 1 |
| 26* | | Wire Assembly Headlight to Ground | 1 |
| 27 | 7-3328 | Bolt Battery | 2 |
| 28 | 7-7980 | Brace-Battery Shelf | 2 |
| 29 | 7-7690 | Battery Shelf | 1 |
| 30 | 8-9490 | Battery | 1 |

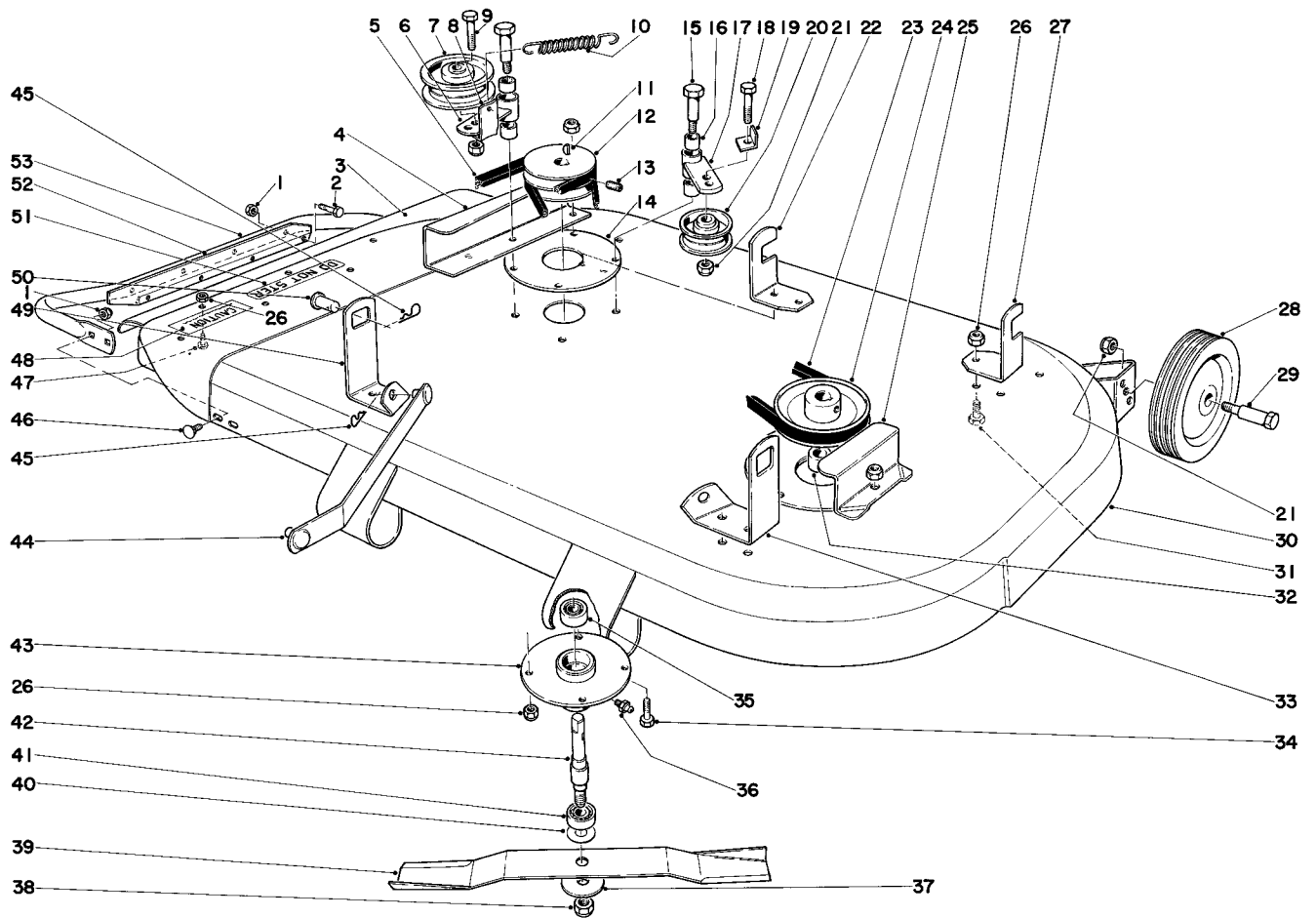
*Use on opposite side only



ELECTRICAL SCHEMATIC

| Ref. No. | Part No. | Description | No. Used |
|----------|----------|---------------|----------|
| 1 | 7-1780 | Light Switch | 1 |
| 2 | 7-7630 | Wire Assembly | 1 |
| 3 | 12-7930 | Wire Assembly | 1 |
| 4 | 12-7950 | Wire Assembly | 1 |

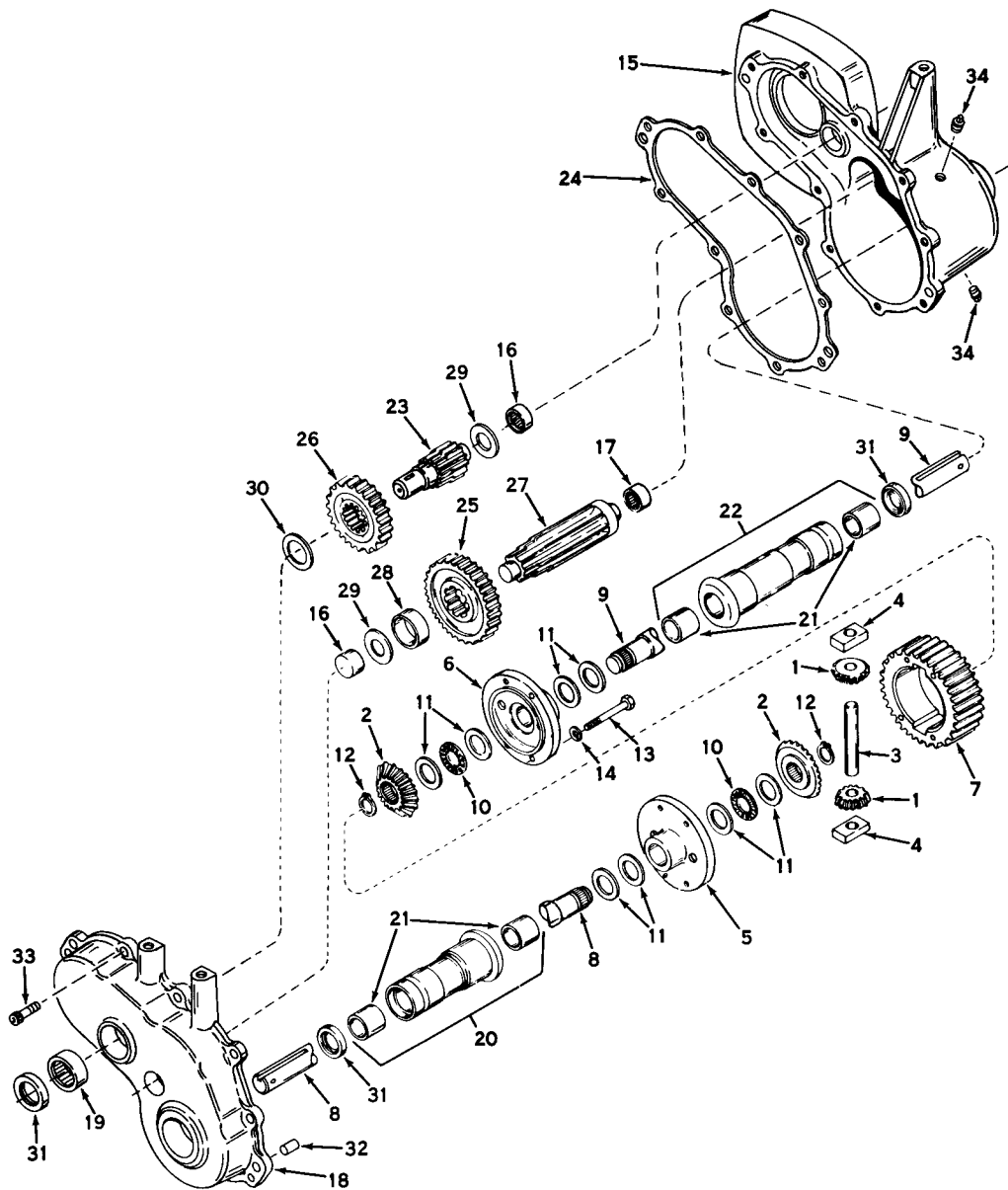
| Ref. No. | Part No. | Description | No. Used |
|----------|----------|---------------|----------|
| 5 | 7-4080 | Wire Assembly | 1 |
| 6 | 12-3940 | Wire Harness | 1 |
| 7 | 7-6130 | Ammeter Gage | 1 |



36" MOWER ASSEMBLY

| Ref. No. | Part No. | Description | No. Used |
|----------|----------|------------------------------|----------|
| 1 | 32152-4 | Locknut | 8 |
| 2 | 321-9 | Capscrew | 4 |
| 3 | 12-9860 | Deflector Plate | 1 |
| 4 | 7-4317 | Guard Mower Housing | 1 |
| 5 | 7-9160 | Belt | 1 |
| 6 | 7-3780 | Idler Plate (Incl. Ref. #16) | 1 |
| 7 | 7-8680 | Pulley Idler | 1 |
| 8 | 7-9180 | Retainer Belt | 1 |
| 9 | 323-9 | Capscrew | 1 |
| 10 | 7-3977 | Spring Tension | 1 |
| 11 | 3257-5 | Woodruff Key | 2 |
| 12 | 7-3788 | Pulley Spindle | 1 |
| 13 | 3246-2 | Set Screw | 2 |
| 14 | 7-0252 | Washer | 2 |
| 15 | 7-3878 | Bolt - Shoulder | 2 |
| 16 | 256-172 | Bushing | 4 |
| 17 | 7-3781 | Idler Plate | 1 |
| 18 | 323-8 | Capscrew | 1 |
| 19 | 7-3976 | Bracket - Spring | 1 |
| 20 | 3-4244 | Pulley Idler | 1 |
| 21 | 32152-2 | Locknut | 2 |
| 22 | 7-4210 | Bracket - Mower | 1 |
| 23 | 7-4228 | Belt | 1 |
| 24 | 7-3796 | Pulley - Spindle | 1 |
| 25 | 7-4212 | Belt Guard | 1 |
| 26 | 32152-1 | Locknut | 23 |
| 27 | 7-4208 | Bracket Mower | 1 |

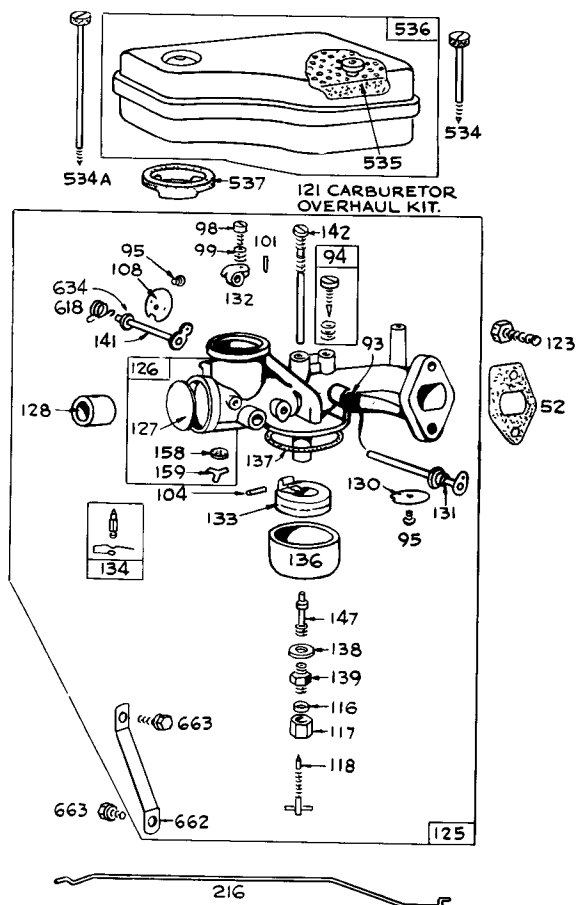
| Ref. No. | Part No. | Description | No. Used |
|----------|----------|-------------------------|----------|
| 28 | 241-87 | Wheel | 2 |
| 29 | 12-7610 | Axle Bolt | 2 |
| 30 | 7-7610 | Housing | 1 |
| 31 | 322-2 | Capscrew | 8 |
| 32 | 7-3747 | Spacer - Blade Spindle | 1 |
| 33 | 7-4206 | Bracket - Mower | 1 |
| 34 | 322-4 | Capscrew | 6 |
| 35 | 251-5 | Bearing | 2 |
| 36 | 302-5 | Grease Fitting | 2 |
| 37 | 7-0253 | Washer | 2 |
| 38 | 32152-6 | Locknut | 2 |
| 39 | 7-2464 | Blade | 2 |
| 40 | 7-3590 | Washer | 2 |
| 41 | 251-123 | Bearing | 2 |
| 42 | 7-3744 | Spindle Blade | 2 |
| 43 | 7-0287 | Mower Spindle Housing | 2 |
| 44 | 7-4111 | Tow Bar | 2 |
| 45 | 3290-250 | Hair Pin Cotter | 4 |
| 46 | 3229-10 | Carriage Bolt | 4 |
| 47 | 32122-33 | Truss Hd. Machine Screw | 7 |
| 48 | 12-3990 | Decal | 1 |
| 49 | 7-4207 | Bracket - Mower | 1 |
| 50 | 7-4110 | Clevis Pin | 2 |
| 51 | 7-8200 | Decal | 1 |
| 52 | 12-9890 | Bar - Deflector | 1 |
| 53 | 7-4211 | Guard Mower Housing | 1 |



TRANSAXLE (PEERLESS) MODEL NO. 1302 ASSEMBLY

| Ref. No. | Part No. | Description | No. Used |
|----------|----------|---------------------------------------|----------|
| 1 | 778014 | Pinion, Bevel | 1 |
| 2 | 778039 | Gear, Bevel | 1 |
| 3 | 786019 | Pin, Drive | 1 |
| 4 | 786027 | Block, Drive | 1 |
| 5 | 774028 | Carrier, Differential | 1 |
| 6 | 774029 | Carrier, Differential | 1 |
| 7 | 778033 | Gear, Ring | 1 |
| 8 | 774159 | Axle, L. H. | 1 |
| 9 | 774160 | Axle, R. H. | 1 |
| 10 | 780039 | Bearing, Thrust | 1 |
| 11 | 780042 | Washer, Thrust | 1 |
| 12 | 792018 | Ring, Snap | 1 |
| 13 | 792020 | Screw, hex hd. cap | 1 |
| 14 | 792006 | Lockwasher | 1 |
| 15 | 770052 | Case Assembly (Incl. Nos. 16 & 17) | 1 |
| 16 | 780013 | Bearing, Needle | 1 |
| 17 | 780088 | Bearing, Needle | 1 |
| 18 | 772063 | Cover Assy. (Incl. Nos. 16 & 19) | 1 |

| Ref. No. | Part No. | Description | No. Used |
|----------|----------|--|----------|
| 19 | 780089 | Bearing, Needle | 1 |
| 20 | 782022A | Housing & Bushing Assy., L. H. (Incl. No. 21) | 1 |
| 21 | 780054 | Bushing | 1 |
| 22 | 782023A | Housing & Bushing Assy., R. H. (Incl. No. 21) | 1 |
| 23 | 776093 | Shaft, Brake | 1 |
| 24 | 788044 | Gasket, Case to cover | 1 |
| 25 | 778036 | Gear, Output | 1 |
| 26 | 778037 | Gear, Idler | 1 |
| 27 | 778041 | Shaft, Output | 1 |
| 28 | 786017 | Spacer | 1 |
| 29 | 780001 | Washer | 1 |
| 30 | 780090 | Washer | 1 |
| 31 | 788008 | Seal, Oil | 1 |
| 32 | 786026 | Pin, Dowel | 1 |
| 33 | 792052 | Screw, Hex hd. self tapping | 1 |
| 34 | 792010 | Plug, Pipe | 2 |



MODEL NO. 390811 CARBURETOR ASSEMBLY (For Engine 190707-0626)

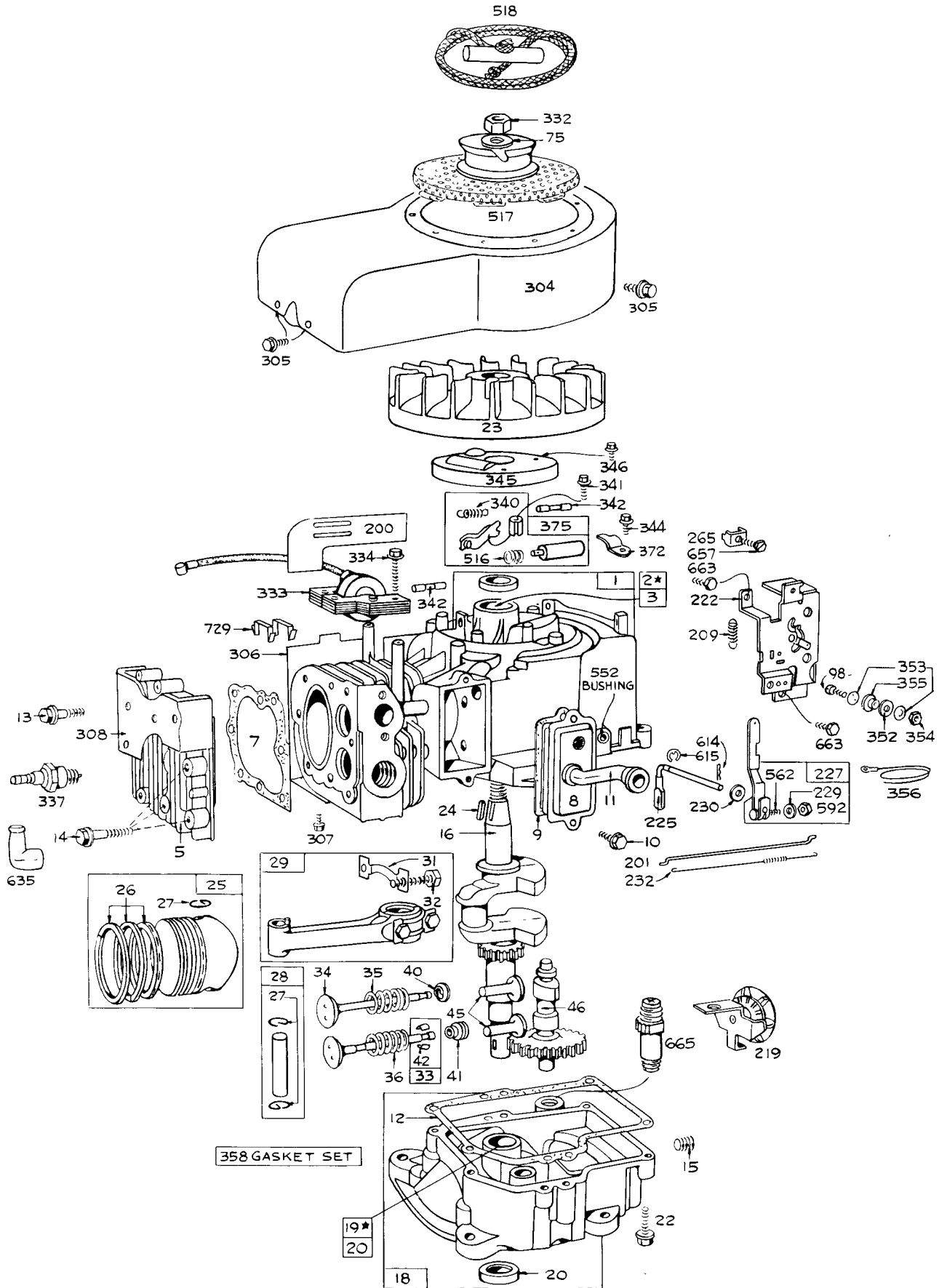
| Ref. No. | Part No. | Description | No. Used |
|----------|----------|---|----------|
| 52 | ◆270538 | Gasket—Carburetor Mounting | 1 |
| 93 | 23108 | Bushing — Throttle Shaft | 1 |
| 94 | ‡292681 | Valve Assembly — Carburetor Idle | 1 |
| 95 | 93038 | Screw — Throttle and Choke Valve Mtg. Sem | 1 |
| 98 | 91920 | Screw — Machine, Fill. Head | 1 |
| | 26157 | Spring — Throttle Adjustment | 1 |
| 101 | 93043 | Pin — Throttle Stop | 1 |
| 104 | ‡230896 | Pin — Float Hinge | 1 |
| 108 | 222010 | Valve — Choke | 1 |
| 116 | ‡ 68677 | Packing — Needle Valve | 1 |
| 117 | ‡ 23118 | Nut — Needle Valve Packing | 1 |
| 118 | ‡299762 | Valve — Needle | 1 |
| 121 | 299852 | Carburetor Overhaul Kit | 1 |
| 123 | 93357 | Screw — Carburetor Mounting | 1 |
| 125 | 390811 | Carburetor Assembly | 1 |
| 126 | 390812 | Body Assy.— Lower Carb. | 1 |
| 127 | 221997 | Plug — Welch | 1 |
| 128 | 211682 | Venturi — Carburetor | 1 |
| 130 | 221986 | Valve — Throttle | 1 |
| 131 | 299650 | Shaft and Lever — Throttle | 1 |

◆ Included in Gasket Set — Part No. 299577

| Ref. No. | Part No. | Description | No. Used |
|----------|----------|------------------------------------|----------|
| 132 | 211712 | Stop — Throttle | 1 |
| 133 | 299707 | Float — Carburetor | 1 |
| 134 | ‡299096 | Valve — Fuel Inlet | 1 |
| 136 | 221995 | Bowl — Float | 1 |
| 137 | ‡270511 | Gasket — Float Bowl | 1 |
| 138 | ‡222014 | Washer — Float Bowl | 1 |
| 139 | ‡230935 | Retainer — Jet Needle | 1 |
| 141 | 390684 | Shaft and Lever — Choke | 1 |
| 142 | ‡299740 | Nozzle — Carburetor | 1 |
| 147 | ‡230932 | Screw — Nozzle | 1 |
| 158 | 27590 | Filter — Carburetor Drain | 1 |
| 159 | 220521 | Retainer — Carburetor Drain Filter | 1 |
| 216 | 261117 | Link — Choke | 1 |
| 534 | 93323 | Screw — Air Cleaner | 1 |
| 534A | 93622 | Screw — Air Cleaner | 1 |
| 535 | 270528 | Element — Air Cleaner | 1 |
| 536 | 390379 | Cleaner Assy. — Air | 1 |
| 537 | 270539 | Gasket — Air Cleaner | 1 |
| 618 | 261116 | Spring — Choke Return | 1 |
| 634 | 270382 | Washer — Choke Shaft | 1 |
| 662 | 222027 | Bracket — Carburetor | 1 |
| 663 | 93572 | Screw — Bracket Mtg. | 1 |

‡ Included in Carburetor Overhaul Kit — Part No. 299852

MODEL 190707-0626 ENGINE ASSEMBLY (Electric Start) BRIGGS & STRATTON



*REQUIRES SPECIAL TOOLS FOR INSTALLING

MODEL 190707-0626 ENGINE ASSEMBLY (Electric Start)

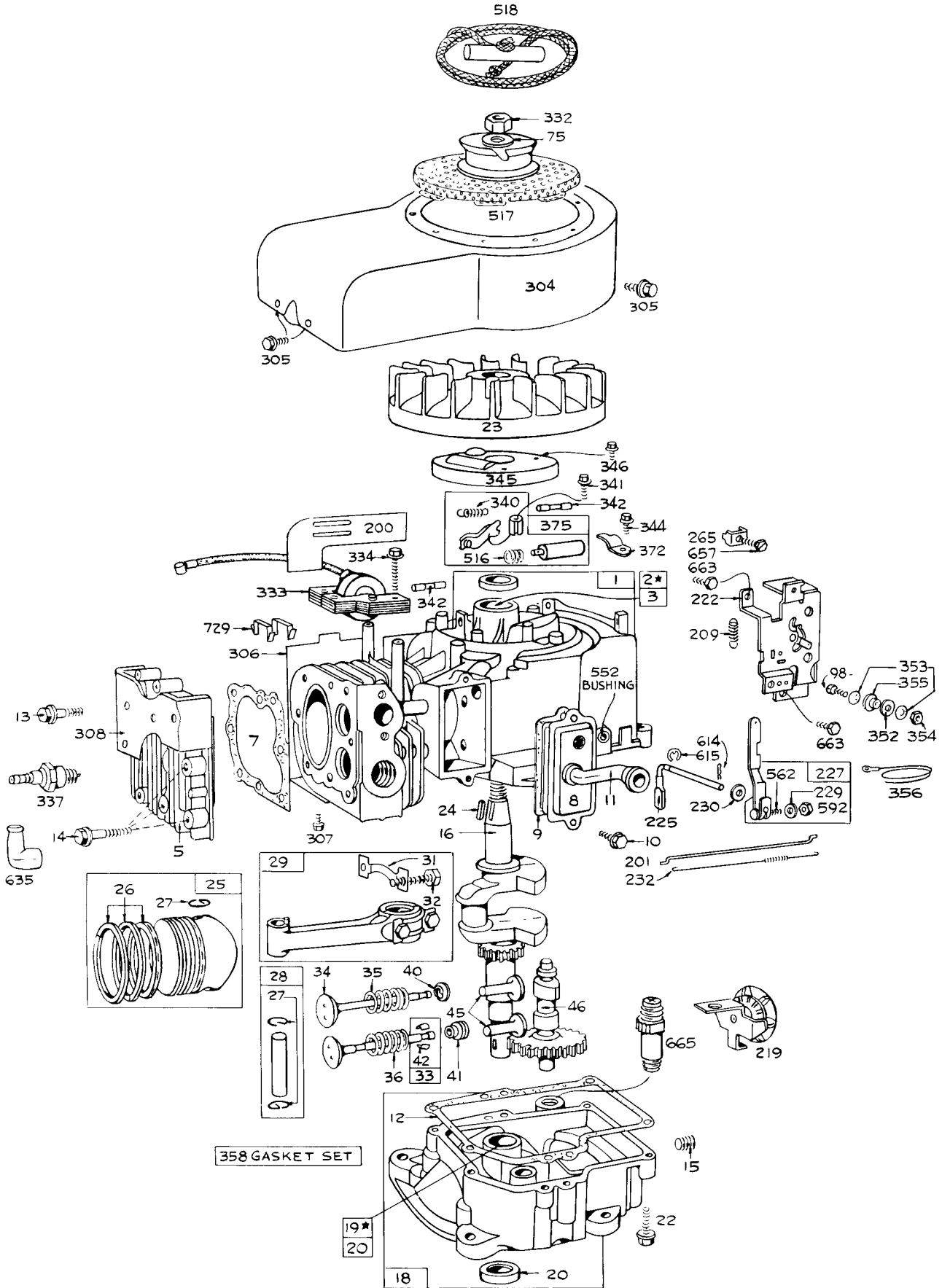
BRIGGS & STRATTON

| Ref. No. | Part No. | Description | No. Used |
|----------|----------|--|----------|
| 1 | 390380 | Cylinder Assembly | 1 |
| 2 | 295962 | Bushing – Cylinder | 1 |
| | Note: | Requires special tools for installation. | |
| 3 | 294606 | Seal – Oil | 1 |
| 5 | 211778 | Head – Cylinder | 1 |
| 7 | ◆270430 | Gasket – Cylinder Head | 1 |
| 8 | 299848 | Breather Assembly | 1 |
| 9 | ◆27803 | Gasket – Valve Cover | 1 |
| 10 | 93536 | Screw – Sem | 1 |
| 11 | 280005 | Tube – Breather | 1 |
| 12 | ◆27750 | Gasket – Crankcase Cover – 1/64" thick | 1 |
| | ◆27876 | Gasket – Crankcase Cover – .005" thick | 1 |
| | ◆27877 | Gasket – Crankcase Cover – .009" thick | 1 |
| 13 | 93210 | Screw – Cylinder Head (2-9/32" long) | 1 |
| 14 | 93211 | Screw – Cylinder Head (2-21/32" long) | 1 |
| 15 | 93418 | Plug – Oil Drain (Hex Socket) | 1 |
| 16 | 261083 | Crankshaft | 1 |
| 18 | 298616 | Sump – Oil | 1 |
| 19 | 295963 | Bushing – Oil Sump | 1 |
| | Note: | Requires special tools for installation. | |
| 20 | 298423 | Seal – Oil | 1 |
| 22 | 93585 | Screw – Sump Mtg. Sem | 1 |
| 23 | 390180 | Flywheel – Magneto | 1 |
| 24 | 61760 | Key – Flywheel | 1 |
| 25 | 390347 | Piston Assy. – Standard | 1 |
| | 390348 | Piston Assembly – .010" O.S. | 1 |
| | 390349 | Piston Assembly – .020" O.S. | 1 |
| | 390350 | Piston Assembly – .030" O.S. | 1 |
| | | PISTON RING SETS: | |
| 26 | 299569 | Ring Set – Piston – Std. | 1 |
| | | Consists of: | |
| | | 211637 Ring, Piston, Comp., Top Std. | 1 |
| | | 211636 Ring, Piston, Comp., Center, Std. | 1 |
| | | 211635 Ring, Piston, Oil, Std. | 1 |
| | 299570 | Ring Set – Piston – .010" O.S. | 1 |
| | | Consists of: | |
| | | 211649 Ring, Piston, Comp., Top, .010" O.S. | 1 |
| | | 211650 Ring, Piston, Comp., Center, .010" O.S. | 1 |
| | | 211651 Ring, Piston, Oil, .010" O.S. | 1 |

| Ref. No. | Part No. | Description | No. Used |
|----------|----------|--|----------|
| | 299571 | Ring Set – Piston – .020" O.S. | 1 |
| | | Consists of: | |
| | | 211653 Ring, Piston, Comp., Top, .020" O.S. | 1 |
| | | 211654 Ring, Piston, Comp., Center, .020" O.S. | 1 |
| | | 211655 Ring, Piston, Oil, .020" O.S. | 1 |
| | 299572 | Ring Set – Piston – .030" O.S. | 1 |
| | | Consists of: | |
| | | 211657 Ring, Piston, Comp., Top, .030" O.S. | 1 |
| | | 211658 Ring, Piston, Comp., Center, .030" O.S. | 1 |
| | | 211659 Ring, Piston, Oil, .030" O.S. | 1 |
| 27 | 68546 | Lock – Piston Pin | 1 |
| 28 | 295840 | Pin Assy. – Piston – Std. | 1 |
| | 295841 | Pin Assembly – Piston – .005" O.S. | 1 |
| 29 | 390402 | Rod Assy. – Connecting | 1 |
| 31 | 222114 | Lock – Conn. Rod Screw | 1 |
| 32 | 92659 | Screw – Conn. Rod | 1 |
| 33 | 390419 | Valve – Exhaust | 1 |
| 34 | 261055 | Valve – Intake | 1 |
| 35 | 65906 | Spring – Intake Valve | 1 |
| 36 | 26828 | Spring – Exhaust Valve | 1 |
| 40 | 221596 | Retainer – Intake Valve | 1 |
| 41 | 292260 | Rotocoil – Exhaust Valve | 1 |
| 42 | 93630 | Retainer – Exhaust Valve Rotocoil (2) | 1 |
| 45 | 260933 | Tappet – Valve | 1 |
| 46 | 210728 | Gear – Cam | 1 |
| 75 | 220865 | Washer – Spring | 1 |
| 200 | 221760 | Guide – Air | 1 |
| 201 | 260971 | Link – Governor | 1 |
| 209 | 261129 | Spring – Governor | 1 |
| 219 | 298614 | Oil Slinger, Gov. Gear and Bracket Assembly | 1 |
| 222 | 390662 | Plate – Gov. Control | 1 |
| 225 | 230759 | Shaft – Gov. Lever | 1 |
| 227 | 298303 | Lever Assy. – Governor | 1 |
| 229 | 220680 | Washer – Flat | 1 |
| 230 | 221559 | Washer – Gov. Lever | 1 |
| 232 | 260584 | Spring – Governor Link | 1 |
| 265 | 221535 | Clamp – Casing | 1 |
| 304 | 299392 | Housing – Blower | 1 |
| 305 | 93158 | Screw – Blower Housing Mounting Sem | 1 |
| 306 | 221898 | Shield – Cylinder | 1 |
| 307 | 93163 | Screw – Cylinder Shield Mounting Sem | 1 |

◆ Included in Gasket Set – Part No. 299577

MODEL 190707-0626 ENGINE ASSEMBLY (Electric Start) BRIGGS & STRATTON



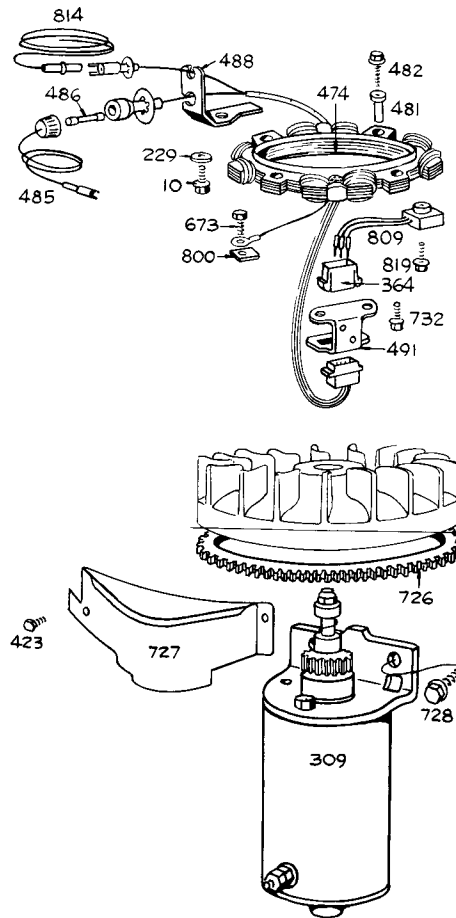
★REQUIRES SPECIAL TOOLS FOR INSTALLING

MODEL 190707-0626 ENGINE ASSEMBLY (Electric Start) BRIGGS & STRATTON

| Ref. No. | Part No. | Description | No. Used |
|----------|----------|--|----------|
| 308 | 221901 | Cover – Cylinder Head | 1 |
| 309 | 390307 | Motor – Starting | 1 |
| (*) | | American Bosch-Arma No. SMH 12-A11 (on Commutator End Cap) | |
| (**) | | Made in Japan for B & S No. MMO. 5ML (on Main Housing) Replacement Parts for Starting Motor No. 390307 (see list below) Drive Assembly (complete) B & S No. 390443 (*) B & S No. 299963 (**) Drive End Cap Assembly w/Bearing and Bracket B & S No. 390944 (*) B & S No. 390454 (**) Armature Assembly including Washers. B & S No. 390446 (*) B & S No. 390456 (**) Housing Assembly including Field Coils. B & S No. 390447 (*) B & S No. 390452 (**) Commutator End Cap Assy. including Bushing, Brushes and Springs. B & S No. 390448 (*) B & S No. 390455 (**) Thru Bolt Assembly includes Nuts and Lockwashers. B & S No. 390450 (*) B & S No. 299962 (**) Brush Kit B & S No. 390449 (*) | |
| 332 | 92284 | Nut | 1 |
| 333 | 298968 | Armature Assembly | 1 |

| Ref. No. | Part No. | Description | No. Used |
|----------|----------|--|----------|
| 334 | 93381 | Screw – Armature Mounting Sem | 1 |
| 337 | 298809 | Plug – Spark | 1 |
| 340 | 26018 | Spring – Breaker Arm | 1 |
| 341 | 93381 | Screw – Breaker Arm Mounting Sem | 1 |
| 342 | 65704 | Plunger – Breaker Point | 1 |
| 344 | 93042 | Screw – Condenser Mounting Sem | 1 |
| 345 | 222117 | Cover – Breaker Point | 1 |
| 346 | 93014 | Screw – Sem | 1 |
| 352 | 66068 | Washer – Insulating | 1 |
| 353 | 92791 | Washer – Lock – Shakeproof | 1 |
| 354 | 90576 | Nut – Hex. | 1 |
| 355 | 66554 | Collar – Insulating | 1 |
| 356 | 299500 | Wire – Ground | 1 |
| 358 | 299577 | Gasket Set | 1 |
| 372 | 220477 | Clamp – Condenser | 1 |
| 375 | 294628 | Breaker Points and Condenser Set | 1 |
| | | Note: 299061 Ignition Kit Includes: 294628 Point Set | 1 |
| | | 65704 Plunger | 1 |
| | | 61760 Key – Flywheel | 1 |
| 516 | 260374 | Spring – Connector | 1 |
| 517 | 295423 | Pulley – Rope Starter (with screen) | 1 |
| 518 | 69932 | Rope – Starter | 1 |
| 552 | 230927 | Bushing – Governor Shaft | 1 |
| 562 | 92613 | Bolt – Governor Lever | 1 |
| 592 | 90356 | Nut – Hex. | 1 |
| 614 | 93306 | Cotter – Hair Pin | 1 |
| 615 | 93307 | Retainer – E-Ring | 1 |
| 635 | 66538 | Elbow – Spark Plug | 1 |
| 657 | 93496 | Screw – Sem | 1 |
| 663 | 93572 | Screw – Bracket Mtg. | 1 |
| 665 | 296768 | Oil Minder | 1 |
| 729 | 221907 | Clip – Wire | 1 |

◆ Included in Gasket Set – Part No. 299577



ALTERNATOR AND STARTER ASSEMBLY

| Ref. No. | Part No. | Description | No. Used | Ref. No. | Part No. | Description | No. Used |
|----------|----------|--|----------|----------|----------|--|----------|
| 10 | 93536 | Screw – Sem | 1 | | | Brushes and Springs. | |
| 229 | 220680 | Washer – Flat | 1 | | | B & S No. 390448 (*) | |
| 309 | 390307 | Motor – Starting | 1 | | | B & S No. 390455 (**) | |
| (*) | | American Bosch-Arma No. SMH 12-A11 (on Commutator End Cap) | | | | Thru Bolt Assembly includes Nuts and Lockwashers. | |
| (**) | | Made in Japan for B & S No. MMO. 5ML (on Main Housing) | | | | B & S No. 390450 (*) | |
| | | Replacement Parts for Starting Motor No. 390307 (see list below) | | | | B & S No. 299962 (**) | |
| | | Drive Assembly (complete) | | | | Brush Kit | |
| | | B & S No. 390443 (*) | | 364 | 280081 | B & S No. 390449 (*) | |
| | | B & S No. 299963 (**) | | 423 | 93410 | Socket – Lead Wire | 1 |
| | | Drive End Cap Assembly w/Bearing and Bracket | | 474 | 390671 | Screw – Sem | 1 |
| | | B & S No. 390944 (*) | | 481 | 230976 | Stator – Alternator | 1 |
| | | B & S No. 390454 (**) | | 482 | 93621 | Bushing – Stator | 1 |
| | | Armature Assembly including Washers. | | 485 | 390313 | Screw – Stator Mtg. | 1 |
| | | B & S No. 390446 (*) | | 486 | 67125 | Knob Assy. – Fuse | 1 |
| | | B & S No. 390456 (**) | | 488 | 222211 | Fuse – 7-1/2 Amp. | 1 |
| | | Housing Assembly including Field Coils. | | 491 | 222115 | Bracket – Fuse | 1 |
| | | B & S No. 390447 (*) | | 618 | 261116 | Bracket – Rectifier | 1 |
| | | B & S No. 390452 (**) | | 673 | 93438 | Spring – Choke Return | 1 |
| | | Commutator End Cap Assy. including Bushing, | | 726 | 299543 | Screw | 1 |
| | | | | | | Gear, Ring (Includes mounting parts) | 1 |
| | | | | 727 | 390233 | Cover and Shield – Starter | 1 |
| | | | | 728 | 93535 | Screw – Sem | 1 |
| | | | | 732 | 93490 | Screw – Sem | 1 |
| | | | | 800 | 222212 | Retainer | 1 |
| | | | | 809 | 390692 | Rectifier – Alternator | 1 |
| | | | | 814 | 390610 | Wire Assembly | 1 |
| | | | | 819 | 93680 | Screw – Sem | 1 |

SPECIFICATIONS

ENGINE: Briggs & Stratton Model 190707 Type No. 0626.

FUEL TANK CAPACITY: .9 gallon — under hood

TRANSMISSION: Hydrostatic unit directly coupled to one speed rear axle. Hydrostatic has piston pump, piston motor; integral oil reservoir. 7" cooling fan provided. Axle has cast iron casing, bevel gear differential, 1" axle shaft with 1/4" keyway.

Hydrostatic unit oil: Texaco Transhydryal 2209; axle oil: No. 90 Gear Lubricant.

TRACTION DRIVE: "A" section V-belt from 3:4 PD engine pulley to 3.4 PD transmission input pulley.

GROUND SPEEDS: @ 3400 engine RPM

Forward: Infinitely variable from 0 to 5.0 MPH
Reverse: Infinitely variable from 0 to 2.0 MPH

TIRES:

Front: 13 x 5.00 - 6 tubeless pneumatic Turf-king.
Rear: 18 x 8.50 - 8 tubeless pneumatic Turf-king.

WHEELS: Front and rear — stamped steel discs with drop center rims.

CONSTRUCTION: 11 gauge H.R.P.O. steel formed channel frame with 3/16" steel axle supports. 3/8" diameter C.R.S. spindles with 11 gauge front axle. 18 gauge one-piece rear fender.

STEERING: 13" diameter 3-spoke 3" dished steering wheel.

LIGHTS: Headlights standard.

CUTTER DRIVE: Belt drive from jackshaft ahead of engine.

STARTING: 12 volt electric start with key switch.

SEAT: 2-3/4" padding. Adjustable to two positions. Seat backrest adjustable to three positions.

GAUGES: Oil Minder oil level gauge, Ammeter, gas gauge.

CONTROLS:

Engine: Control wire and casing with slow, fast and choke positions. Mounted on dash.

Transmission: Single lever with cam type linkage to hydrostatic unit. Adjustable friction, adjustable neutral position. Positive neutral detent.

Traction Disengage: Lever to disengage traction drive, allows rider to be pushed or towed.

Brake: Foot operated pedal on right side. Coupled to hydrostatic unit, provides hydraulic braking.

Additional braking provided by 3" dia. brake drum and band.

Cutter: Single lever. In lock-out position blade belt idler is disengaged and blade brake applied. In engaged position brake is released and cutter belt engaged.

DIMENSIONS:

Wheel Base: 42"
Wheel Tread: Front: 25"
Rear: 23-3/4"
Outside to Outside of Tires: Front: 30"
Rear: 32"
Inside Turning Radius: 25"
Overall: Length: 57-1/2"
Width: 32"
Height: 34-1/2"

WEIGHT: 340 lbs. without mower assembly.

SAFETY FEATURES: Meets A.N.S.I. Specifications. Brake pedal returns transmission control to neutral. Automatic blade brake. Engine cannot be started unless transmission control is in neutral, brake is applied and cutter drive disengaged. Enclosed and guarded drive. Brake latch for parking.

CUTTER HOUSING: Semi-floating 12 gauge tempered steel housing attached to chassis by 1/2" diameter steel pins.

CUTTER WIDTH: 36"

BLADE: Two 8 gauge 18" fully hardened alloy steel.

BLADE TIP SPEED: 16,500 FPM @ 3400 engine RPM.

CUTTER SPINDLE: Steel mounted in 2 single row double sealed ball bearings.

HEIGHT OF CUT: 1-1/2" to 4" by control lever with infinite height variation.

WEIGHT: 74 lbs.

OVERALL DIMENSIONS:

Length: 30 1/2"
Width: 45 1/4"
Height: 10"

OPTIONAL EQUIPMENT:

36" Snow Blade Attachment 59034
32" Snow Blower Attachment 59032
Dump Cart (Heavy Duty) 59003
Seeder Spreader 59068
38" Lawn Sweeper 59067
Bagging Kit 59050
Tire Chains 11-0430
Snow Cab 3456
Trimmer Kit 87007
Dump Cart (Light Weight) 59070

MAINTENANCE RECORD

| Date | Hours Used | Oil Change | Air Cleaner Service | Lubrication | Winter Storage | Spring Service | Spark Plug Gap |
|------|------------|------------|---------------------|-------------|----------------|----------------|----------------|
| | | | | | | | |
| | | | | | | | |
| | | | | | | | |
| | | | | | | | |
| | | | | | | | |
| | | | | | | | |
| | | | | | | | |
| | | | | | | | |
| | | | | | | | |
| | | | | | | | |
| | | | | | | | |
| | | | | | | | |
| | | | | | | | |
| | | | | | | | |
| | | | | | | | |
| | | | | | | | |
| | | | | | | | |
| | | | | | | | |
| | | | | | | | |
| | | | | | | | |
| | | | | | | | |
| | | | | | | | |
| | | | | | | | |
| | | | | | | | |
| | | | | | | | |

MAINTENANCE RECORD

| Date | Hours Used | Oil Change | Air Cleaner Service | Lubrication | Winter Storage | Spring Service | Spark Plug Gap |
|------|------------|------------|---------------------|-------------|----------------|----------------|----------------|
| | | | | | | | |
| | | | | | | | |
| | | | | | | | |
| | | | | | | | |
| | | | | | | | |
| | | | | | | | |
| | | | | | | | |
| | | | | | | | |
| | | | | | | | |
| | | | | | | | |
| | | | | | | | |
| | | | | | | | |
| | | | | | | | |
| | | | | | | | |
| | | | | | | | |
| | | | | | | | |
| | | | | | | | |
| | | | | | | | |
| | | | | | | | |
| | | | | | | | |
| | | | | | | | |
| | | | | | | | |
| | | | | | | | |
| | | | | | | | |
| | | | | | | | |
| | | | | | | | |

PRODUCT CHANGES

In an effort to make improvements available to Toro owners as quickly as possible, minor changes are incorporated into Toro's products from time to time that do not become immediately shown in the Parts Catalog. If such a change apparently has been made in your unit, which is not reflected in your manual, see your Toro distributor or his authorized Toro service dealer for information and part numbers.

IMPORTANT ORDERING INSTRUCTIONS

Repair parts are available from your TORO dealer. To insure getting correct parts without delay, furnish the following information:

1. Serial number of your tractor as shown on the name plate.
2. Part number, description, and quantity of each part required.
3. State whether parts should be shipped by mail or express. All repair parts are shipped F.O.B. Factory.
4. Name and address where parts are to be shipped.
5. Do not order by reference number; use part number only.

THE TORO PROMISE

It is Toro's policy to design and produce Toro products to provide our customers with a high level of performance and durability in normal operation. Our products, however, are produced in high volume, and it is inevitable that occasionally a unit will reach a customer with a defect in materials or workmanship which causes that unit to fall below the normal high level of Toro

performance. Invariably, such a defect will be noticed in a residential product within one year, and in an institutional product within ninety days after purchase. Recognizing this possibility, Toro has established a simple guarantee policy and procedure that is intended to assure customer satisfaction. This guarantee statement is as follows:

The Toro Promise

The Toro Company promises to repair any TORO product for the original purchaser if defective in materials or workmanship. The following time periods from the date of purchase apply:

| | | |
|--|-------|---------|
| Residential products | | 1 year |
| Residential products used commercially | ... | 45 days |
| Institutional products | | 90 days |

The costs of parts and labor are included, but the customer pays the transportation costs. Just return any residential product to a TORO Service Dealer, or any institutional product to a TORO distributor.

Should you feel that a product is defective, and wish to rely on The Toro Promise, the following procedure is recommended:

1. Contact any TORO dealer or distributor, but preferably the dealer or distributor from whom you purchased the product.
2. He will instruct you to either return the product to him, or tell you the name and address of your nearest TORO Service Dealer if the product is to be returned to such dealer.
3. Take the product and your original sales slip, or other evidence of purchase date, to the servicing dealer.

4. The servicing dealer will inspect the unit, advise you whether the product is defective and, if so, make all repairs necessary to correct the defect without extra charge to you.

If for any reason you are dissatisfied with the dealer's analysis of the defect or the service he performs, we urge you to contact us. Write:

TORO "Customer Care" Department
8111 Lyndale Avenue South
Bloomington, Minnesota 55420