



Count on it.

Parts Catalog

Groundsmaster® 4000

Rotary Mower

Model No. 30605—Serial No. 401200001 and Up



Ordering Replacement Parts

To order replacement parts, please supply the part number, the quantity, and the description of each part desired.

Understanding Reference Numbers

Each identified part in an illustration has a reference number. The reference number for a part also appears in the parts list, along with other information about the part.

This catalog uses two special reference number formats, one to indicate parts in a service assembly and another to indicate the quantity of a given part in an illustration.

Service Assembly Reference Numbers

Parts in service assemblies have reference numbers in the form a:b. The a represents the reference number of the entire service assembly and the b represents a sequential number unique to each part within the service assembly.

For example, a wheel assembly might be identified by reference number 6, the tire by 6:1, the valve by 6:2, and the wheel by 6:3. When you order the assembly identified by reference number 6, you receive all parts identified by reference numbers 6:1, 6:2, and 6:3. However, you may also order any part individually. Reference numbers of this type appear in illustration and in parts lists.

Reference Numbers Indicating Quantity

In an illustration, if a reference number indicates more than one part, the reference number has the form nX y. The n represents the quantity of the part, the X is the multiplication symbol, and the y represents the reference number.

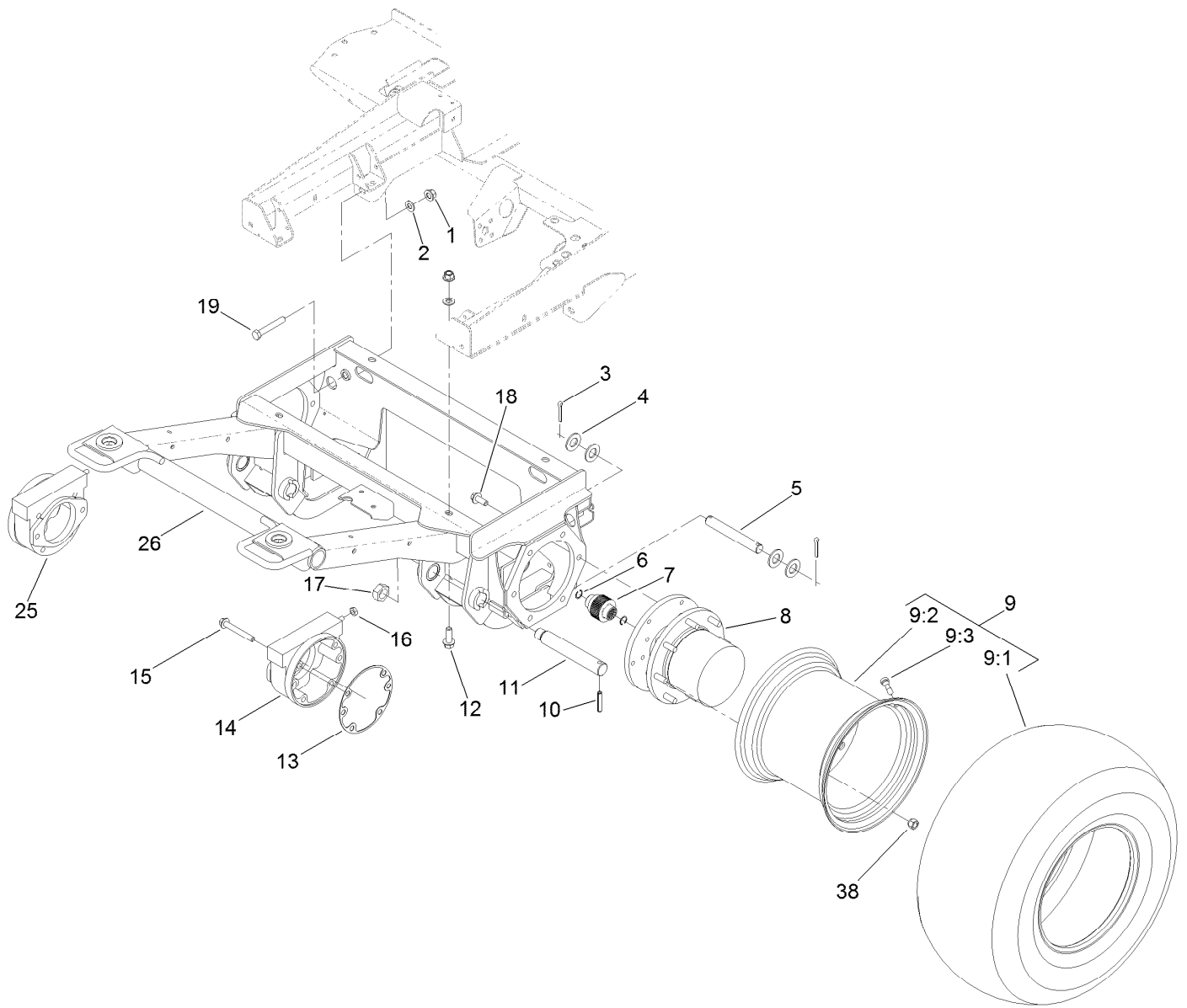
For example, in an illustration, the reference number 2X 37 means that two of the parts identified by reference number 37 are indicated.

Contents

| | |
|---|----|
| Front Frame and Steering Assembly | 5 |
| Planetary Assembly No. 105-4500 | 6 |
| LH Brake Assembly No. 100-3070-03 | 7 |
| RH Brake Assembly No. 100-3069-03 | 8 |
| Battery, Shield and Rear Cover Assembly | 9 |
| Wing Lift Arm Assembly | 10 |
| Hydraulic Cylinder Assembly No. 107-4303 | 12 |
| Impact Arm Assembly | 13 |
| Frame, Bumper and Proximity Sensor Assembly | 15 |
| ROPS and Step Assembly | 16 |
| Flywheel and Motor Mount Assembly | 17 |
| Radiator Assembly | 18 |
| Fan Mounting and Hardline Assembly | 20 |
| Hydraulic Motor Assembly No. 117-4769 | 21 |
| Engine, Intake and Exhaust Assembly | 22 |
| Rear Axle and Steering Cylinder Assembly | 23 |
| Bevel Pinion Shaft Assembly Rear Axle Assembly No. 110-4750 | 25 |
| Differential Assembly Rear Axle Assembly No. 110-4750 | 26 |
| Axle Support Assembly Rear Axle Assembly No. 110-4750 | 27 |
| Bevel Gear Case Assembly Rear Axle Assembly No. 110-4750 | 28 |
| Bevel Gear Shaft Assembly Rear Axle Assembly No. 110-4750 | 29 |
| Axle Case Assembly Rear Axle Assembly No. 110-4750 | 30 |
| Axle Assembly Rear Axle Assembly No. 110-4750 | 31 |
| Hydraulic Motor Assembly No. 120-8814 | 32 |
| Steering Cylinder Assembly No. 121-1534 | 33 |
| Hydraulic Fitting Assembly | 34 |
| Hose and Tube Routing Assembly | 35 |
| Fuel Tank and Air Cleaner Assembly | 36 |
| Air Cleaner Assembly No. 99-5410 | 37 |
| Hood Assembly | 38 |
| Fuel/Water Separator Assembly | 39 |
| Front Deck Installation Assembly | 40 |
| Hydraulic Motor Assembly No. 127-3694 | 42 |
| Lift Cylinder Assembly No. 120-8802 | 43 |
| Front Deck Hydraulic Fitting Assembly | 44 |
| Front Deck Hose Routing Assembly | 45 |
| Front Deck Idler and Skid Assembly | 46 |
| Double Driven Spindle Assembly No. 119-4548 | 48 |
| High Driven Spindle Assembly No. 119-4549 | 50 |
| Front Deck Caster Arm and Wheel Assembly | 52 |
| Front Deck Driving Spindle Assembly | 53 |
| Driven Spindle Assembly No. 119-4547 | 54 |
| Front Deck Cutting Chamber, Cover and Roller Assembly | 56 |
| Right Deck Mount Assembly | 58 |
| Right Deck Hydraulic Fitting Assembly | 59 |
| Right Deck Hose Assembly | 60 |
| Right Deck, Idler and Skid Assembly | 61 |
| Low Driven Spindle Assembly No. 119-4776 | 63 |
| Right Hand and Left Hand Castor Arm and Wheel Assembly | 64 |
| LH and RH Deck Driving Spindle Assembly | 66 |
| Right Deck Discharge Chamber and Cover Assembly | 68 |
| Left Deck Mount Assembly | 70 |
| Left Deck Hydraulic Fitting Assembly | 71 |
| Left Deck Hose Assembly | 72 |

Contents (continued)

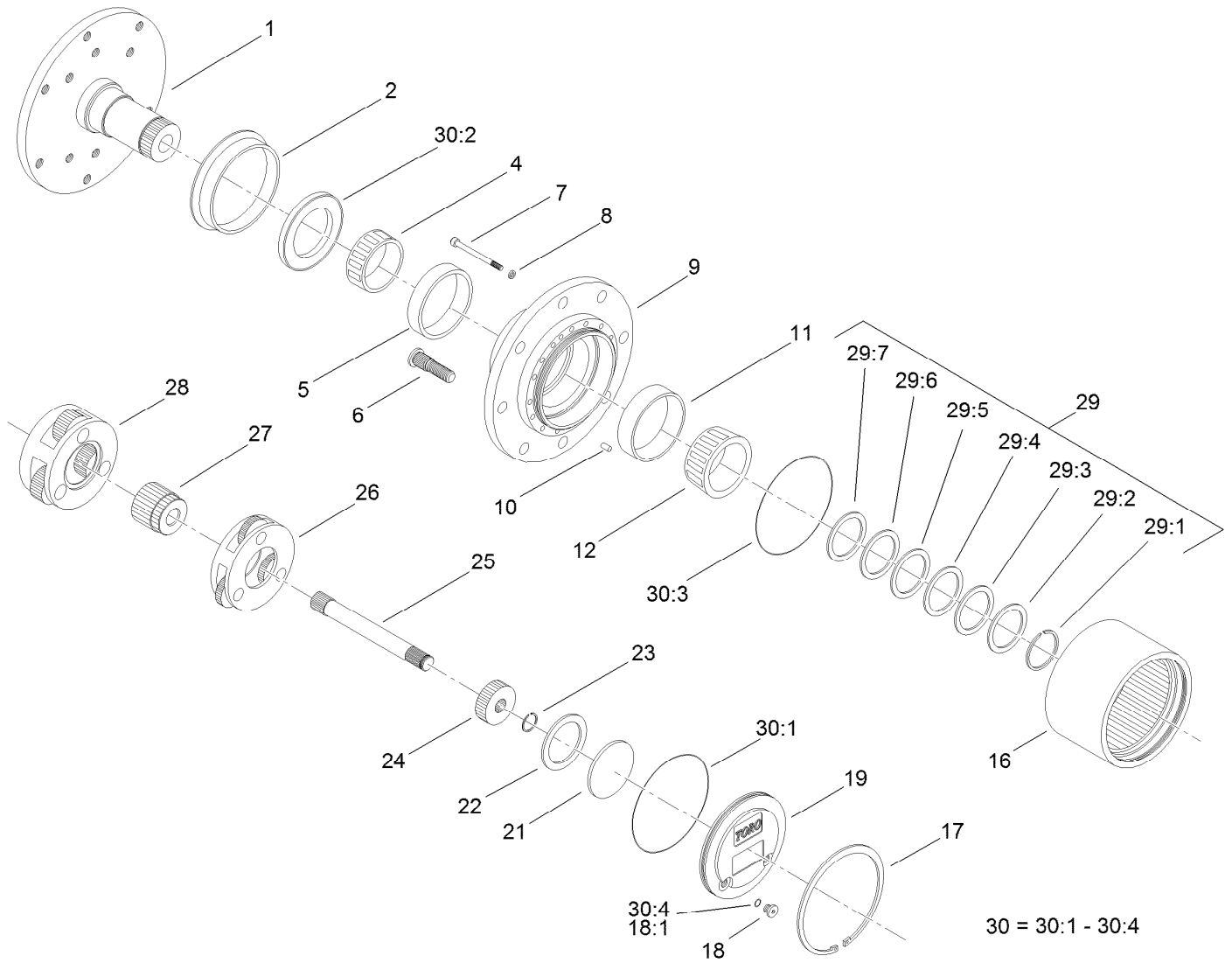
| | |
|---|-----|
| Left Deck, Idler and Skid Assembly | 74 |
| Left Deck Discharge Chamber and Cover Assembly | 76 |
| Traction Pedal and Platform Assembly | 78 |
| Brake Pedal Assembly | 80 |
| Seat Base and Seat Assembly | 81 |
| Seat Suspension Assembly No. 130-2702 | 83 |
| Vinyl Premium Seat Assembly No. 117-5676 | 84 |
| Steering and Controller Assembly | 85 |
| Steering Column Assembly No. 132-6230 | 87 |
| Fender, Tool Box and Cover Assembly | 88 |
| LH Fender Assembly | 89 |
| Acoustic Foam Assembly | 90 |
| Platform Wire Harness and Fuse Assembly | 91 |
| Rear Wire Harness Assembly | 92 |
| Battery Cable and Ground Assembly | 93 |
| Engine Harness Assembly | 94 |
| Piston Pump and Gear Pump Assembly | 95 |
| 4-Section Gear Pump Assembly No. 120-8904 | 96 |
| Hydraulic Pump Assembly No. 132-6100 | 98 |
| Combination Manifold Assembly | 100 |
| Combination Manifold Assembly No. 127-3650 | 101 |
| Manifold Block Assembly | 103 |
| Left PTO Manifold Assembly No. 131-1249 | 105 |
| Rear Traction Manifold Assembly No. 121-1530 | 106 |
| Center and Right PTO Manifold Assembly No. 131-1248 | 107 |
| Flow Divider Manifold Assembly No. 121-1550 | 108 |
| Drive Motor, Steer Valve and Filter Head Assembly | 109 |
| Hydraulic Motor Assembly No. 120-8812 | 110 |
| Steering Valve Assembly No. 132-6256 | 111 |
| Hydraulic Reservoir Assembly | 112 |
| Lift, Steer and Fan Hydraulic Assembly | 114 |
| Oil Cooler Hydraulic Assembly | 116 |
| Traction Hydraulic Assembly | 118 |
| Armrest Control Panel Assembly | 119 |
| Cylinder Block Assembly | 121 |
| Gear Housing Assembly | 122 |
| Flywheel Housing and Oil Sump Assembly | 123 |
| Cylinder Head and Bonnet Assembly | 124 |
| Suction Manifold Assembly | 126 |
| Exhaust Manifold and Silencer Assembly | 127 |
| Camshaft and Driving Gear Assembly | 128 |
| Turbine Assembly | 129 |
| Crankshaft and Piston Assembly | 130 |
| Lubrication and Oil System Assembly | 131 |
| Lubrication Oil Line Assembly | 132 |
| Cooling Water System Assembly | 133 |
| Fuel Injection Pump Assembly | 134 |
| Governor Assembly | 136 |
| Fuel Injection Valve Assembly | 137 |
| Starting Motor Assembly | 138 |
| Generator Assembly | 139 |
| Electronic Control Unit Assembly | 140 |
| Gasket Set | 141 |
| Attachments and Accessories | 142 |



Front Frame and Steering Assembly

| Ref. | Part Number | Qty. | Description | Ref. | Part Number | Qty. | Description |
|------|-------------|------|--------------------------|------|-------------|------|---------------|
| 1 | 99-5107 | 6 | Nut-Lock | 11 | 100-3017 | 2 | Pin-Arm, Lift |
| 2 | 3256-26 | 6 | Washer-Flat | 12 | 100-6116 | 4 | Screw-HHF |
| 3 | 3272-30 | 4 | Pin-Cotter | 13 | 93-7984 | 2 | Gasket |
| 4 | 3256-29 | 8 | Washer-Flat | 14 | 100-3070-03 | 1 | Brake ASM |
| 5 | 110-6006 | 2 | Pin-Clevis | 15 | 33106-090 | 8 | Screw-HHF |
| 6 | 93-7972 | 4 | Ring-Retaining, Internal | 16 | 3218-4 | 2 | Nut-Jam |
| 7 | 100-3046 | 2 | Shaft-Brake, Splined | 17 | 3296-49 | 2 | Nut-Lock, NI |
| 8 | 105-4500 | 2 | Planetary ASM | 18 | 33106-030 | 12 | Screw-HHF |
| 9 | | 2 | Wheel And Tire ASM ● | 19 | 325-13 | 2 | Screw-HH |
| 9:1 | 119-8313 | 1 | Tire | 25 | 100-3069-03 | 1 | Brake ASM |
| 9:2 | 136-4391 | 1 | Rim | 26 | 132-6250-03 | 1 | Frame-Front |
| 9:3 | 232-27 | 1 | Stem-Valve | 38 | 242-50 | 16 | Nut-Lug |
| 10 | 32121-110 | 2 | Pin-Roll, Slotted | | | | |

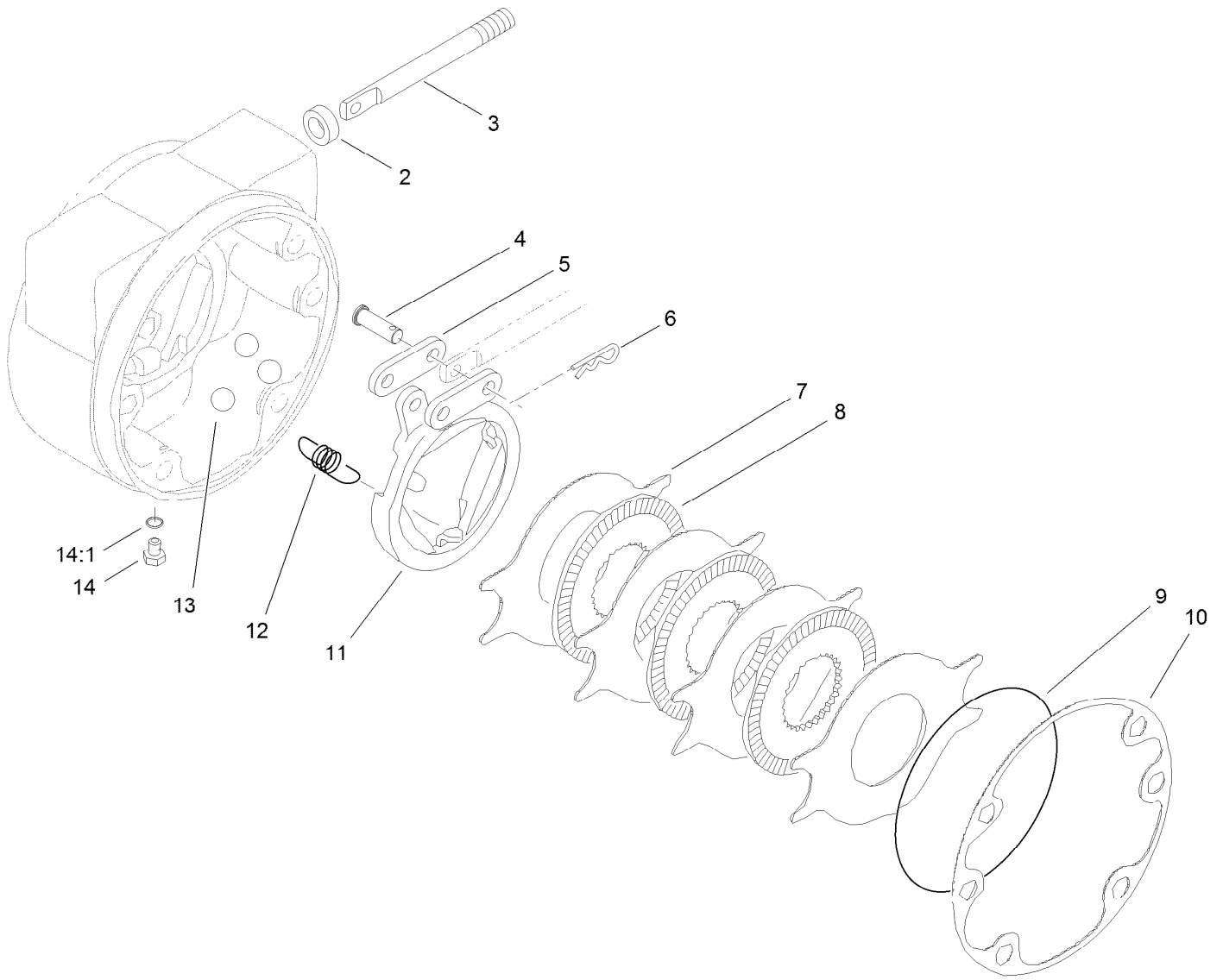
● Not serviced separately



Planetary Assembly No. 105-4500

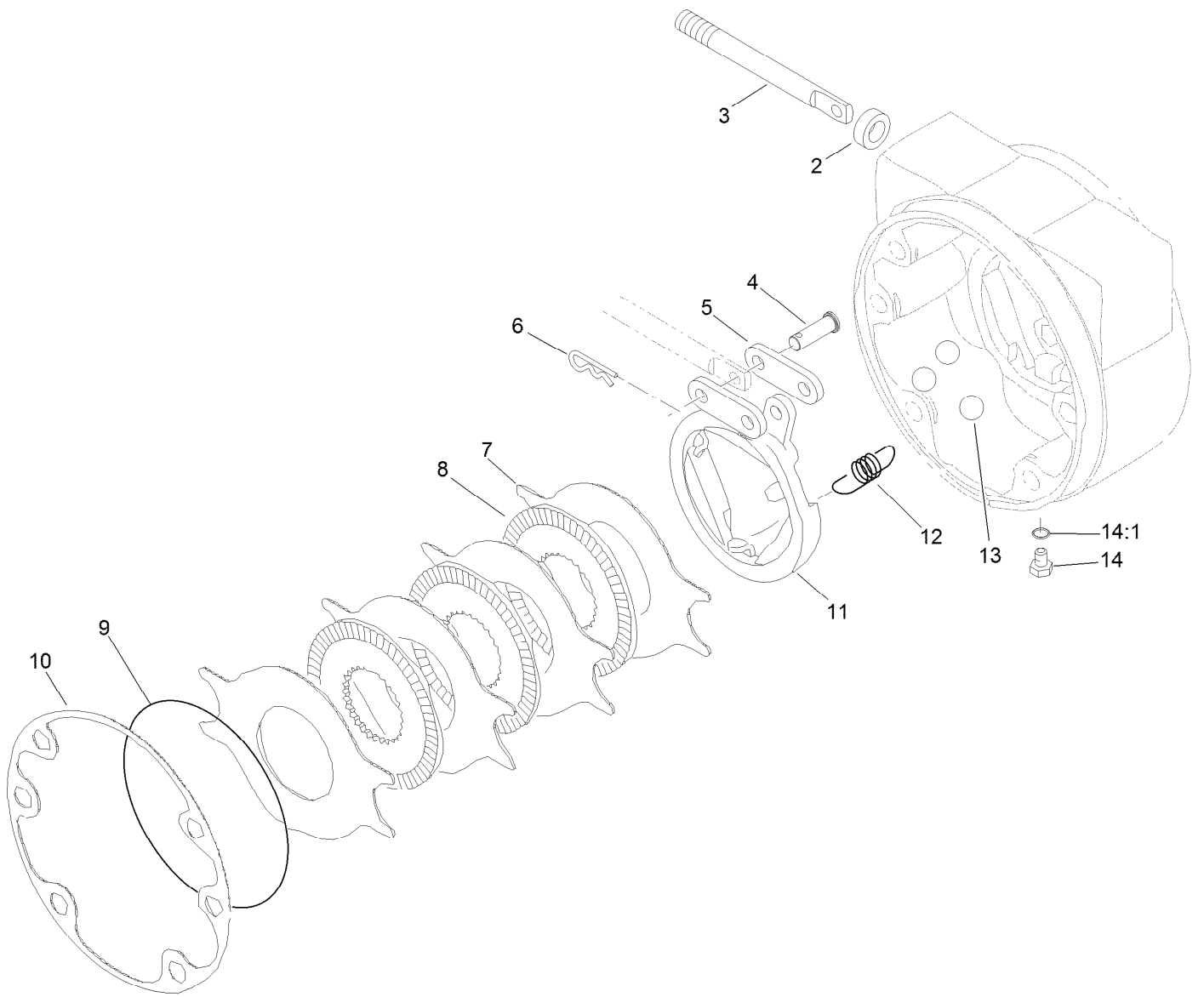
| Ref. | Part Number | Qty. | Description | Ref. | Part Number | Qty. | Description |
|------|-------------|------|-------------------|------|-------------|------|-----------------------|
| 1 | | 1 | Spindle ● | 24 | 105-8114 | 1 | Gear-Primary |
| 2 | 105-8122 | 1 | Seal-Boot | 25 | 105-8115 | 1 | Shaft-Drive |
| 4 | 105-8120 | 1 | Bearing-Cone | 26 | 105-8129 | 1 | Carrier-Primary |
| 5 | 105-8119 | 1 | Bearing-Cup | 27 | 105-8139 | 1 | Gear-Secondary |
| 6 | 105-8124 | 8 | Stud-Wheel | 28 | 105-8130 | 1 | Carrier-Secondary |
| 7 | 105-8125 | 16 | Bolt-Head, Socket | 29 | 105-8136 | 1 | Shim Kit |
| 8 | 3253-18 | 16 | Washer-Lock | 29:1 | | 1 | Ring-Snap ● |
| 9 | | 1 | Housing ● | 29:2 | | 1 | Shim-Bearing, 2.9Mm ● |
| 10 | 105-8121 | 1 | Pin-Dowel | 29:3 | | 1 | Shim-Bearing, 2.8Mm ● |
| 11 | 105-8117 | 1 | Bearing-Cup | 29:4 | | 1 | Shim-Bearing, 2.7Mm ● |
| 12 | 105-8118 | 1 | Bearing-Cone | 29:5 | | 1 | Shim-Bearing, 2.6Mm ● |
| 16 | 105-8113 | 1 | Gear-Ring | 29:6 | | 1 | Shim-Bearing, 2.5Mm ● |
| 17 | 105-8132 | 1 | Ring-Retaining | 29:7 | | 1 | Shim-Bearing, 2.4Mm ● |
| 18 | 353-990 | 2 | Plug ASM | 30 | 105-8137 | 1 | Seal Kit |
| 18:1 | 237-78 | 1 | O-Ring | 30:1 | | 1 | O Ring-Flange Cap ● |
| 19 | 105-8138 | 1 | Cap-End | 30:2 | | 1 | Seal-Oil ● |
| 21 | 105-8133 | 1 | Plug-Thrust | 30:3 | | 2 | O Ring-End Cap ● |
| 22 | 105-8123 | 1 | Washer-Thrust | 30:4 | 237-78 | 2 | O-Ring |
| 23 | 105-8131 | 1 | Ring-Retaining | | | | |

● Not serviced separately



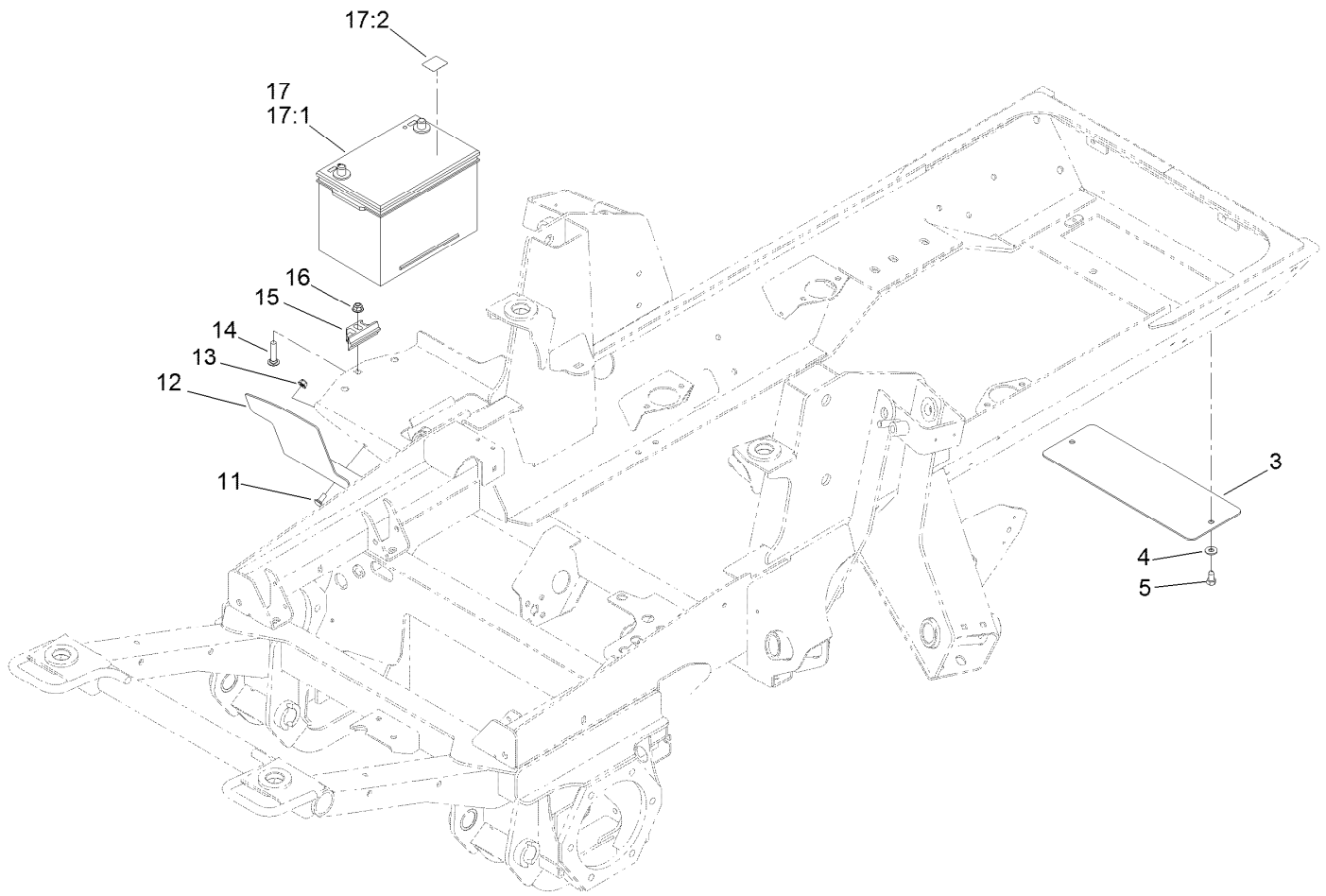
LH Brake Assembly No. 100-3070-03

| Ref. | Part Number | Qty. | Description |
|------|-------------|------|-------------------|
| 2 | 93-7977 | 1 | Seal |
| 3 | 93-7978 | 1 | Rod-Pull |
| 4 | 93-7983 | 2 | Pin-Clevis |
| 5 | 93-7980 | 2 | Link |
| 6 | 93-7979 | 2 | Pin-Hitch |
| 7 | 93-7986 | 4 | Disc-Stationary |
| 8 | 104-4278 | 3 | Disc-Rotating |
| 9 | 93-7976 | 1 | Ring-Retaining |
| 10 | 93-7984 | 1 | Gasket |
| 11 | 104-4279 | 1 | Actuator-Rotating |
| 12 | 93-7987 | 3 | Spring-Extension |
| 13 | 93-7985 | 3 | Ball |
| 14 | 353-990 | 2 | Plug ASM |
| 14:1 | 237-78 | 1 | O-Ring |



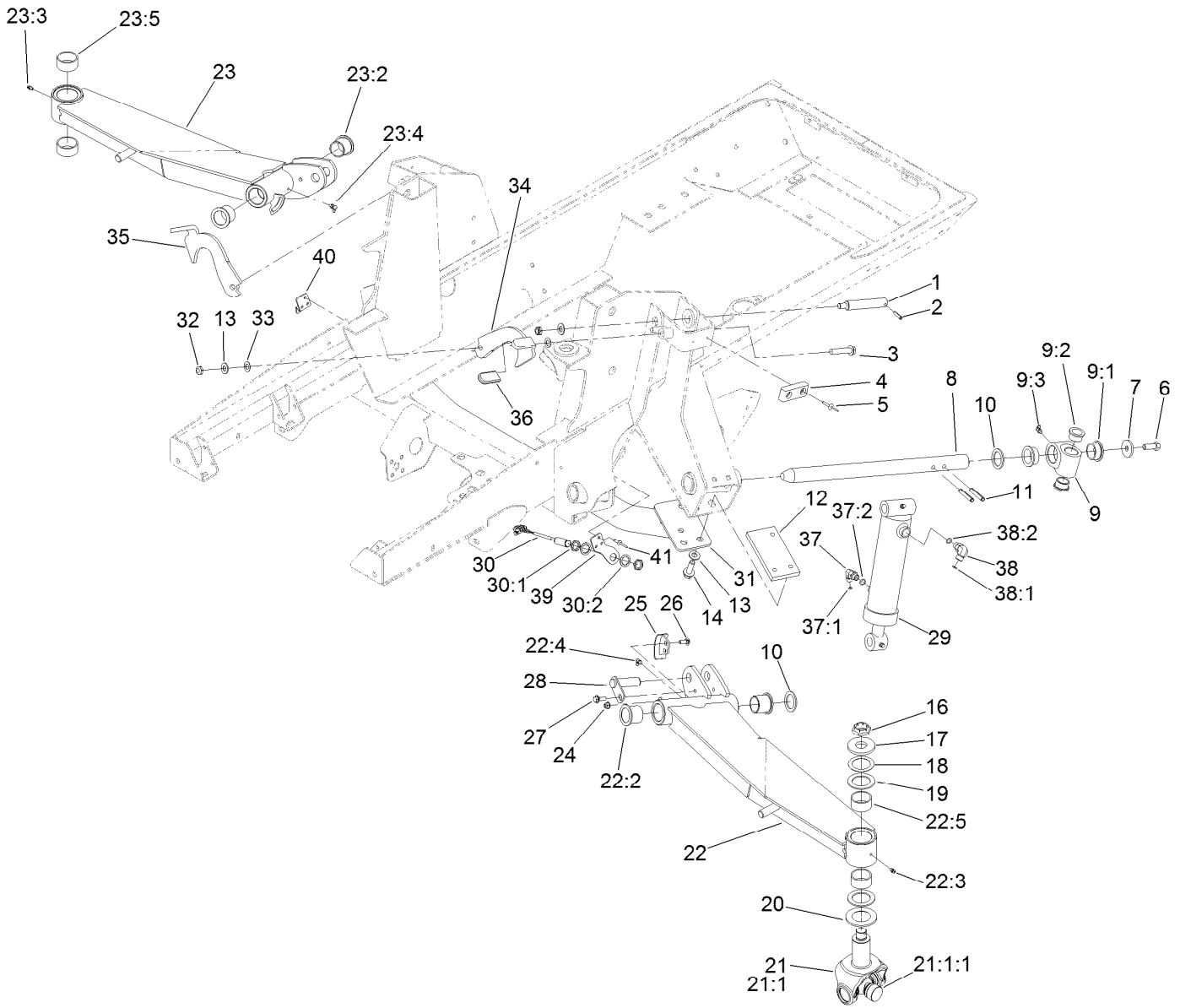
RH Brake Assembly No. 100-3069-03

| <i>Ref.</i> | <i>Part Number</i> | <i>Qty.</i> | <i>Description</i> |
|-------------|--------------------|-------------|--------------------|
| 2 | 93-7977 | 1 | Seal |
| 3 | 93-7978 | 1 | Rod-Pull |
| 4 | 93-7983 | 2 | Pin-Clevis |
| 5 | 93-7980 | 2 | Link |
| 6 | 93-7979 | 2 | Pin-Hitch |
| 7 | 93-7986 | 4 | Disc-Stationary |
| 8 | 104-4278 | 3 | Disc-Rotating |
| 9 | 93-7976 | 1 | Ring-Retaining |
| 10 | 93-7984 | 1 | Gasket |
| 11 | 104-4280 | 1 | Actuator-Rotating |
| 12 | 93-7987 | 3 | Spring-Extension |
| 13 | 93-7985 | 3 | Ball |
| 14 | 353-990 | 2 | Plug ASM |
| 14:1 | 237-78 | 1 | O-Ring |



Battery, Shield and Rear Cover Assembly

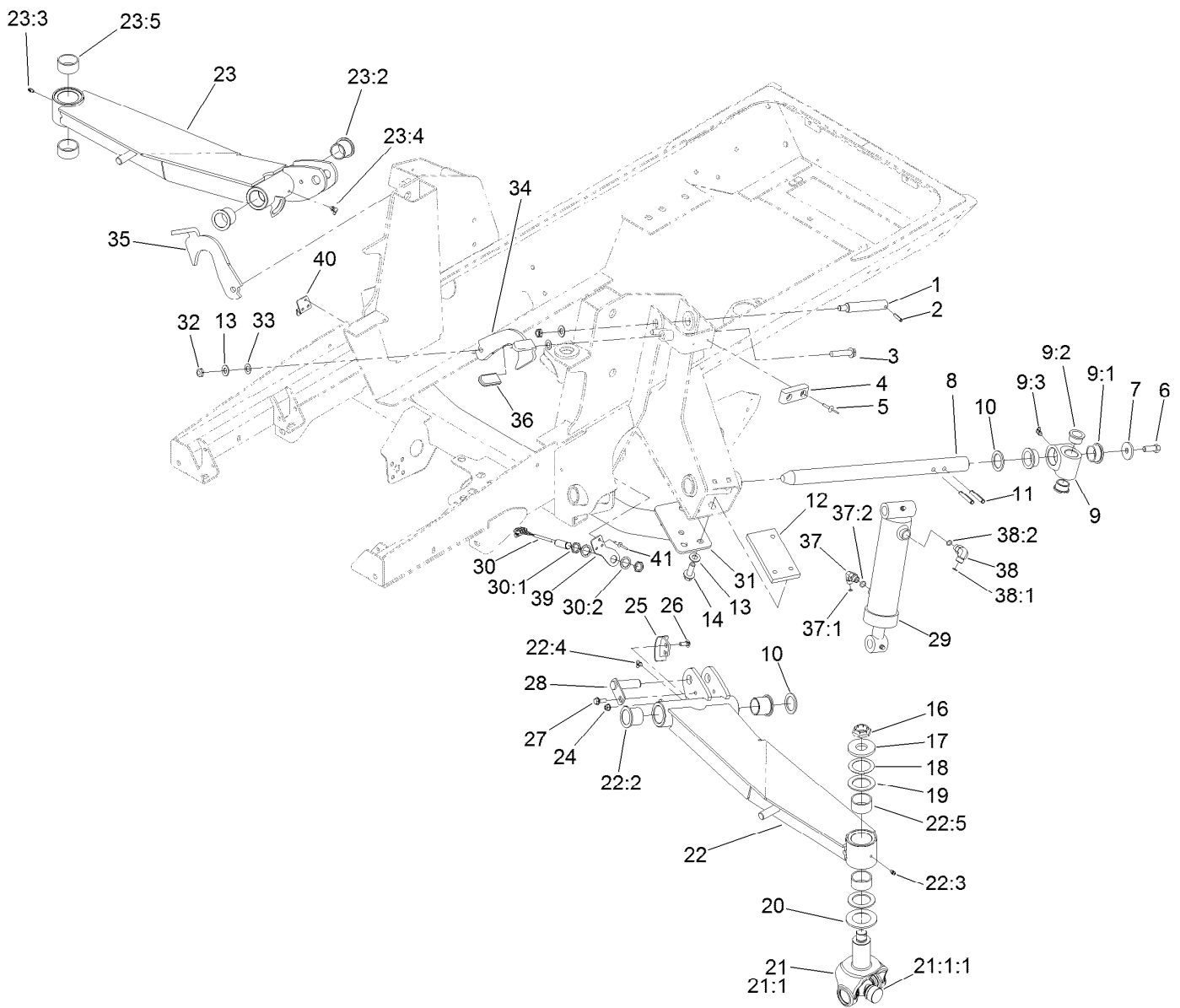
| <i>Ref.</i> | <i>Part Number</i> | <i>Qty.</i> | <i>Description</i> |
|-------------|--------------------|-------------|--------------------|
| 3 | 131-1246-03 | 1 | Plate-Cover |
| 4 | 3256-3 | 2 | Washer-Flat |
| 5 | 32104-6 | 2 | Screw-HH, TAP |
| 11 | 3230-23 | 2 | Screw-CARR |
| 12 | 121-1512-03 | 1 | Shield-Battery |
| 13 | 104-8300 | 2 | Nut-HF, NI |
| 14 | 3231-5 | 1 | Screw-CARR |
| 15 | 138-6335 | 1 | Retainer-Battery |
| 16 | 104-8301 | 1 | Nut-HF, NI |
| 17 | 139-1005 | 1 | Battery Kit |
| 17:1 | 127-7507 | 1 | Battery |
| 17:2 | 139-1006 | 1 | Decal |



Wing Lift Arm Assembly

| Ref. | Part Number | Qty. | Description | Ref. | Part Number | Qty. | Description |
|------|-------------|------|-----------------------|--------|-------------|------|-----------------------|
| 1 | 104-3537 | 2 | Pin-Cylinder | 17 | 104-0719 | 2 | Washer-Hardened |
| 2 | 32121-9 | 2 | Pin-Roll, Slotted | 18 | 114-5641 | 2 | Washer-Thrust |
| 3 | 3234-46 | 2 | Screw-HHF | 19 | 104-0721 | 4 | Washer-Thrust |
| 4 | 86-5350 | 2 | Bumper-Rubber | 20 | 104-0720 | 2 | Spacer |
| 5 | 3269-11 | 4 | Rivet-Pop | 21 | 114-5640-03 | 2 | Joint Yoke ASM |
| 6 | 325-5 | 2 | Screw-HH | 21:1 | | 1 | Yoke-Joint ● |
| 7 | 106-2008 | 2 | Washer-Thrust | 21:1:1 | 104-4299 | 1 | Cross And Bearing Kit |
| 8 | 121-3882 | 2 | Shaft-Pivot, Lift Arm | 22 | 132-6210 | 1 | LH Lift Arm ASM |
| 9 | 115-5468 | 2 | Pivot Hub ASM | 22:2 | 69-6470 | 2 | Bushing-Caster |
| 9:1 | 115-5469 | 2 | Bushing-Flange | 22:3 | 302-5 | 1 | Fitting-Grease |
| 9:2 | 114-5680 | 2 | Bushing-Flange | 22:4 | 302-60 | 1 | Fitting-Grease |
| 9:3 | 302-60 | 1 | Fitting-Grease | 22:5 | 114-5596 | 2 | Bushing-Straight |
| 10 | 256-304 | 4 | Washer-Thrust | 23 | 132-6217 | 1 | RH Lift Arm ASM |
| 11 | 117-5479 | 4 | Pin-Spring | 23:2 | 69-6470 | 2 | Bushing-Caster |
| 12 | 120-8859-03 | 2 | Block-Tapped | 23:3 | 302-5 | 1 | Fitting-Grease |
| 13 | 3256-26 | 10 | Washer-Flat | 23:4 | 302-60 | 1 | Fitting-Grease |
| 14 | 100-6116 | 6 | Screw-HHF | 23:5 | 114-5596 | 2 | Bushing-Straight |
| 16 | 116-1399 | 2 | Locknut | 24 | 104-8300 | 6 | Nut-HF, NI |

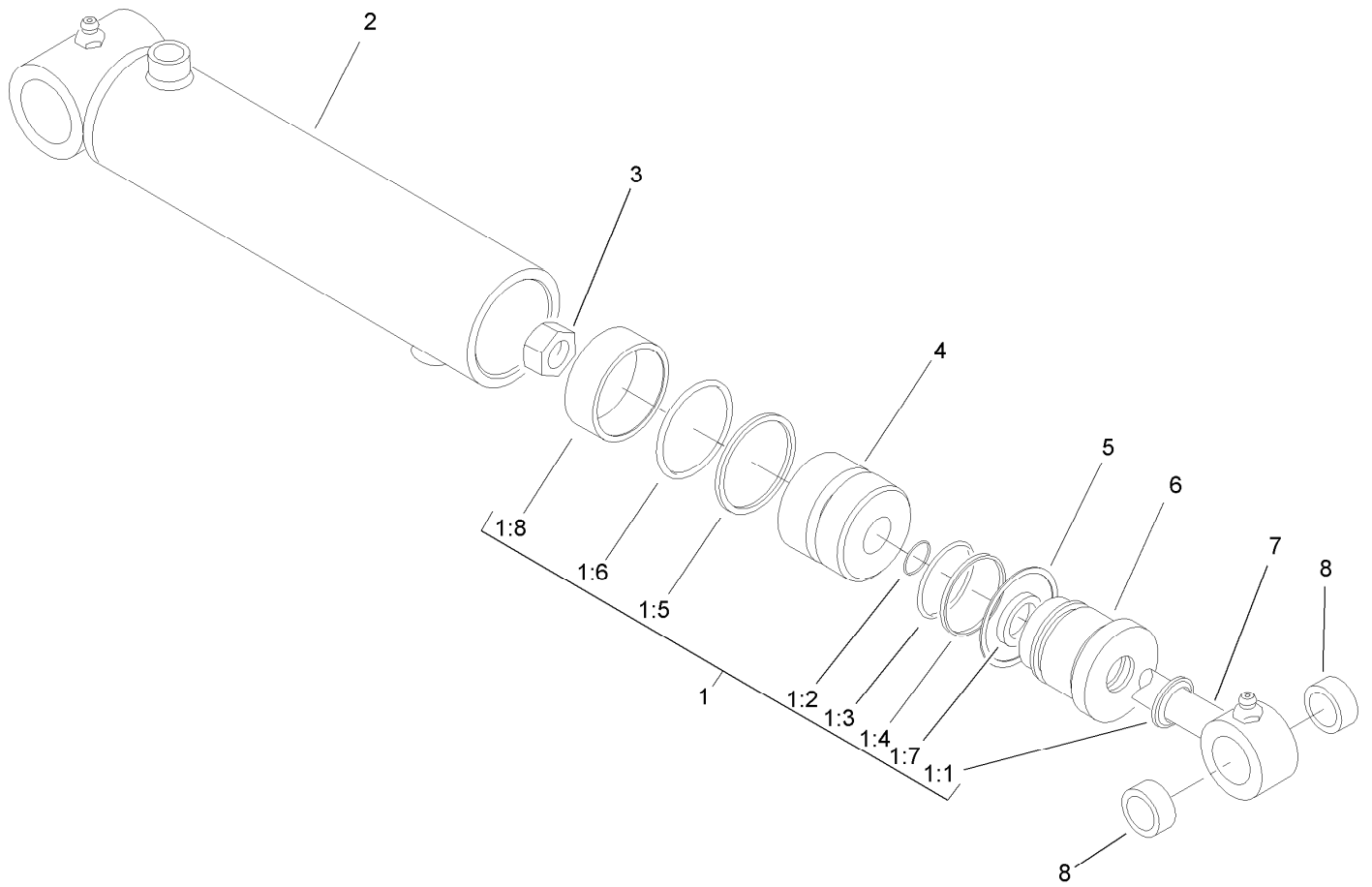
● Not serviced separately



Wing Lift Arm Assembly (continued)

| Ref. | Part Number | Qty. | Description | Ref. | Part Number | Qty. | Description |
|------|-------------|------|-----------------------------|------|-------------|------|-----------------------|
| 25 | 132-1429 | 2 | Sensor-Trigger | 35 | 136-4394-03 | 1 | Latch-Deck, RH |
| 26 | 3230-16 | 4 | Screw-CARR | 36 | 48-7081 | 2 | Grip-Plastic |
| 27 | 27-0410 | 2 | Screw-Shoulder | 37 | 340-82 | 2 | Fitting-Elbow, 90 DEG |
| 28 | 100-5674 | 2 | Pin | 37:1 | 237-42 | 1 | O-Ring |
| 29 | 107-4303 | 2 | HYD Cylinder ASM | 37:2 | 237-21 | 1 | O-Ring |
| 30 | 115-5300 | 2 | Proximity Switch ASM | 38 | 340-77 | 2 | Fitting-Elbow, 90 DEG |
| 30:1 | 117-3207 | 2 | Nut-Hex | 38:1 | 237-22 | 1 | O-Ring |
| 30:2 | 117-3208 | 2 | Washer-Lock, Internal Tooth | 38:2 | 237-42 | 1 | O-Ring |
| 31 | 120-9000-03 | 1 | Crossmember | 39 | 132-1421 | 1 | Plate-Pivot, LH |
| 32 | 3296-45 | 4 | Nut-Hex | 40 | 132-1422 | 1 | Plate-Pivot, RH |
| 33 | 104-3577 | 4 | Washer | 41 | 3290-412 | 6 | Rivet-Blind |
| 34 | 136-4395-03 | 1 | Latch-Deck, LH | | | | |

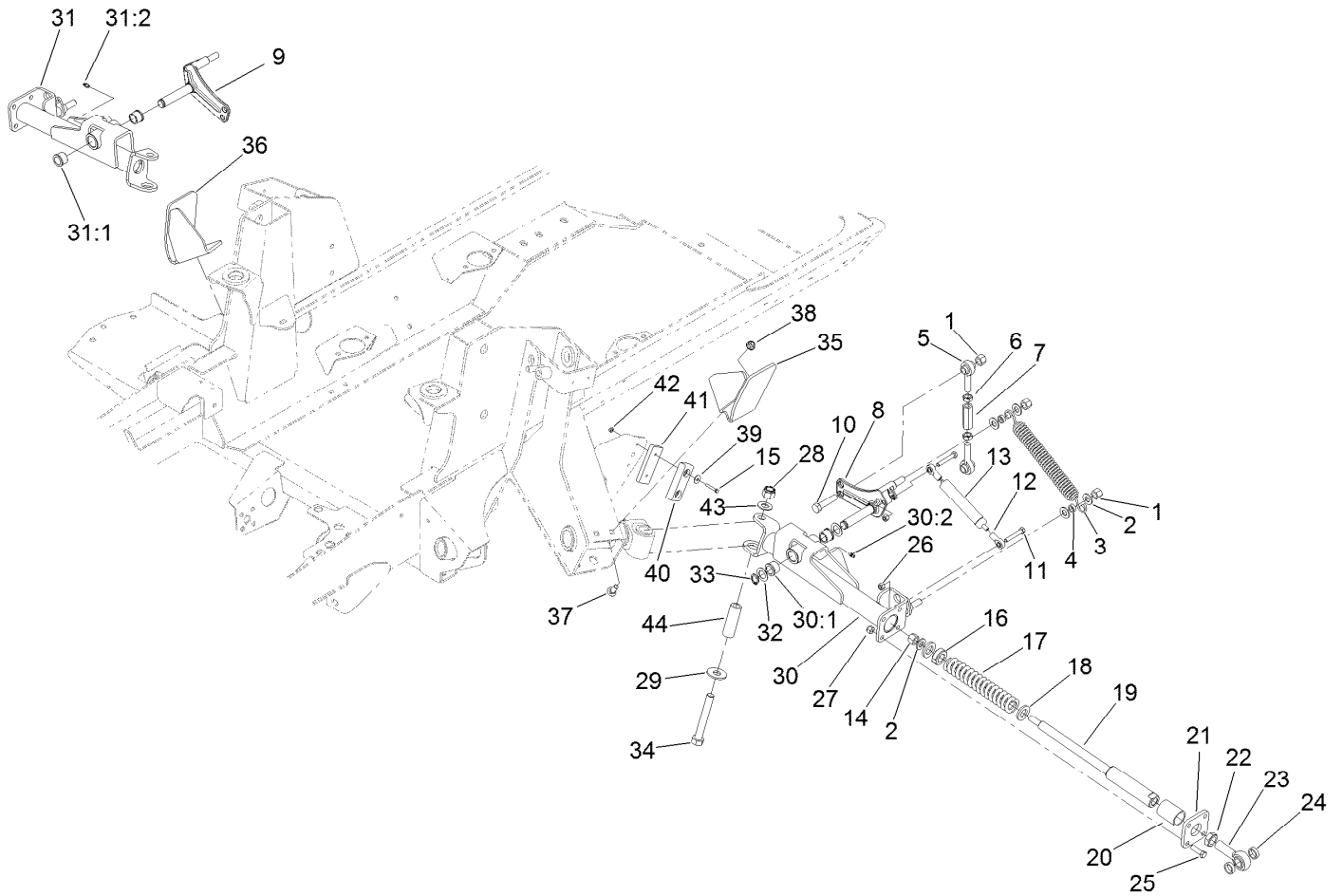
● Not serviced separately



Hydraulic Cylinder Assembly No. 107-4303

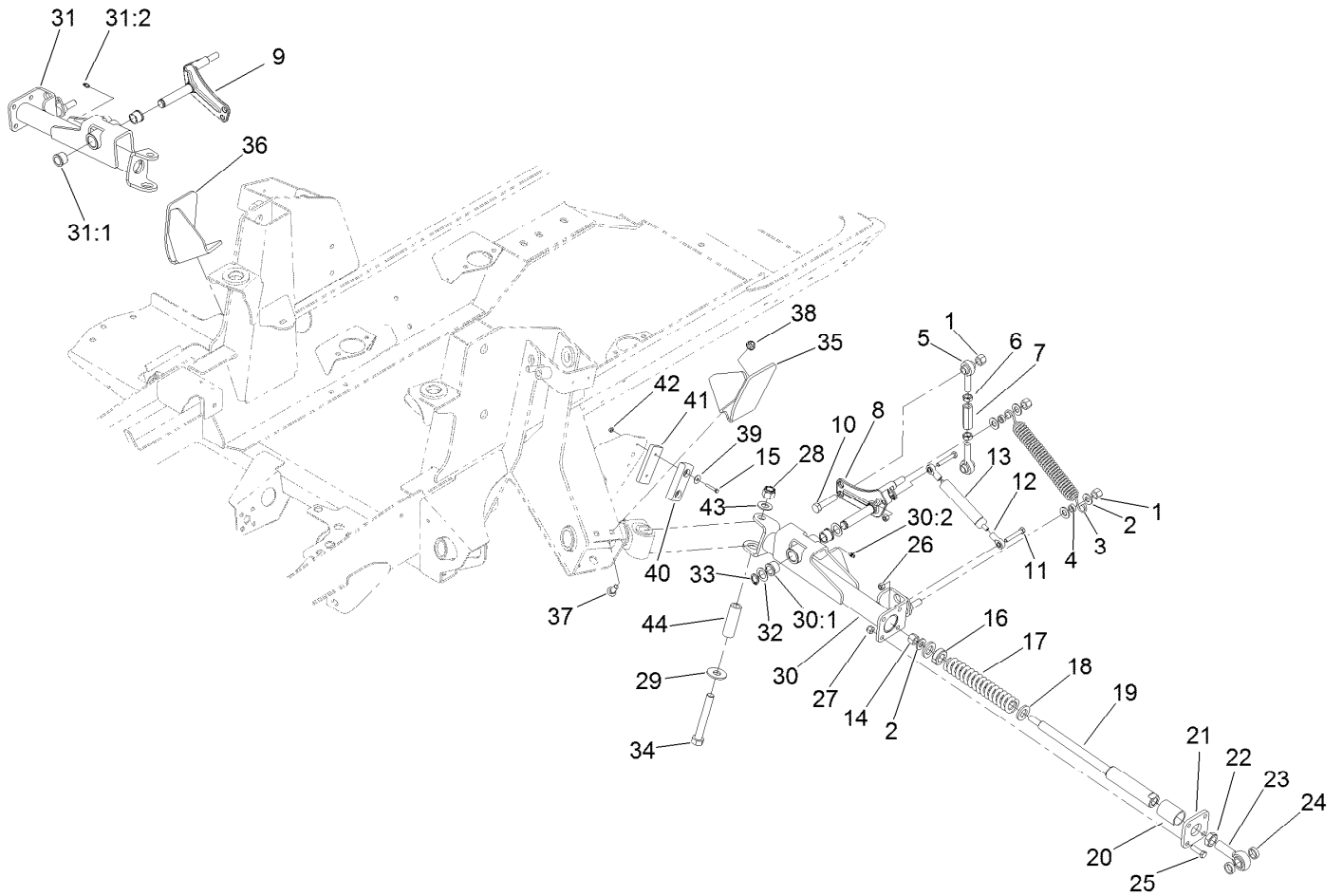
| Ref. | Part Number | Qty. | Description |
|------|-------------|------|-------------------|
| 1 | 107-0249 | 1 | Seal Kit |
| 1:1 | | 1 | Wiper ● |
| 1:2 | | 1 | O-Ring ● |
| 1:3 | | 1 | O-Ring ● |
| 1:4 | | 1 | Back-Up ● |
| 1:5 | | 1 | Seal ● |
| 1:6 | | 1 | O-Ring ● |
| 1:7 | | 1 | Seal ● |
| 1:8 | | 1 | Wear Ring ● |
| 2 | | 1 | Barrel ASM ● |
| 3 | | 1 | Locknut ● |
| 4 | | 1 | Piston ● |
| 5 | | 1 | Ring, Retaining ● |
| 6 | | 1 | Head ● |
| 7 | | 1 | Rod ASM ● |
| 8 | 104-4281 | 2 | Bushing |

● Not serviced separately



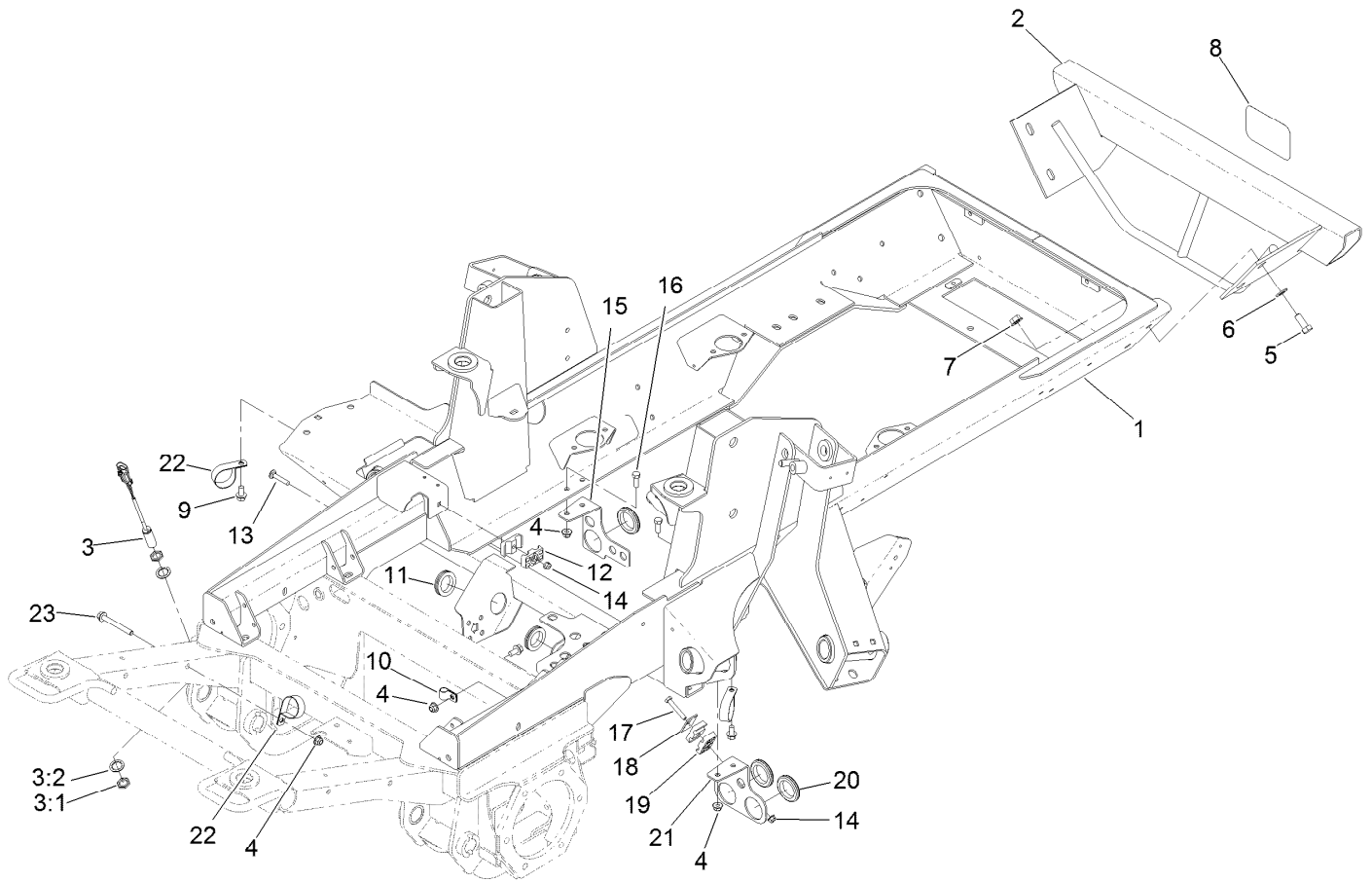
Impact Arm Assembly

| Ref. | Part Number | Qty. | Description | Ref. | Part Number | Qty. | Description |
|------|-------------|------|--------------------|------|-------------|------|--------------------|
| 1 | 3296-23 | 6 | Nut-Lock, NI | 22 | 3220-7 | 2 | Nut-Jam |
| 2 | 3256-26 | 10 | Washer-Flat | 23 | 105-2806 | 2 | End-Rod |
| 3 | 104-7520 | 2 | Spring-Damper | 24 | 105-0756 | 4 | Spacer |
| 4 | 104-7521 | 4 | Bushing | 25 | 323-7 | 8 | Screw-HH |
| 5 | 105-2808 | 4 | End-Rod | 26 | 3296-29 | 4 | Nut-Lock, NI |
| 6 | 3220-5 | 4 | Nut-Jam | 27 | 3296-39 | 8 | Nut-Lock, NI |
| 7 | 105-2809 | 2 | Tube-Link | 28 | 3296-53 | 2 | Nut-Lock, NI |
| 8 | 114-2717 | 1 | Crank-Bell, LH | 29 | 3256-7 | 2 | Washer-Flat |
| 9 | 114-2716 | 1 | Crank-Bell, RH | 30 | 120-8884 | 1 | LH Rear Arm ASM |
| 10 | 325-9 | 2 | Screw-HH | 30:1 | 256-113 | 2 | Bushing-Flange |
| 11 | 322-10 | 4 | Screw-HH | 30:2 | 302-5 | 1 | Fitting-Grease |
| 12 | 104-8331 | 4 | End-Rod, Spherical | 31 | 120-8883 | 1 | RH Rear Arm ASM |
| 13 | 105-3249 | 2 | Damper | 31:1 | 256-113 | 2 | Bushing-Flange |
| 14 | 3296-23 | 2 | Nut-Lock, NI | 31:2 | 302-5 | 1 | Fitting-Grease |
| 15 | 3290-360 | 4 | Screw-HH | 32 | 3-6498 | 4 | Washer-Thrust |
| 16 | 105-4552 | 2 | Bearing-Plastic | 33 | 32120-93 | 2 | Ring-Retaining |
| 17 | 100-8138 | 2 | Spring-Compression | 34 | 327-23 | 2 | Screw-HH |
| 18 | 105-4551 | 4 | Washer-Flat | 35 | 120-8856-03 | 1 | Bracket-Roller, LH |
| 19 | 105-4548 | 2 | Shaft-Spring | 36 | 120-8874-03 | 1 | Bracket-Roller, RH |
| 20 | 105-4550 | 2 | Bushing-Straight | 37 | 3231-2 | 4 | Bolt-CARR |
| 21 | 105-2807-03 | 2 | Plate | 38 | 104-8301 | 4 | Nut-HF, NI |



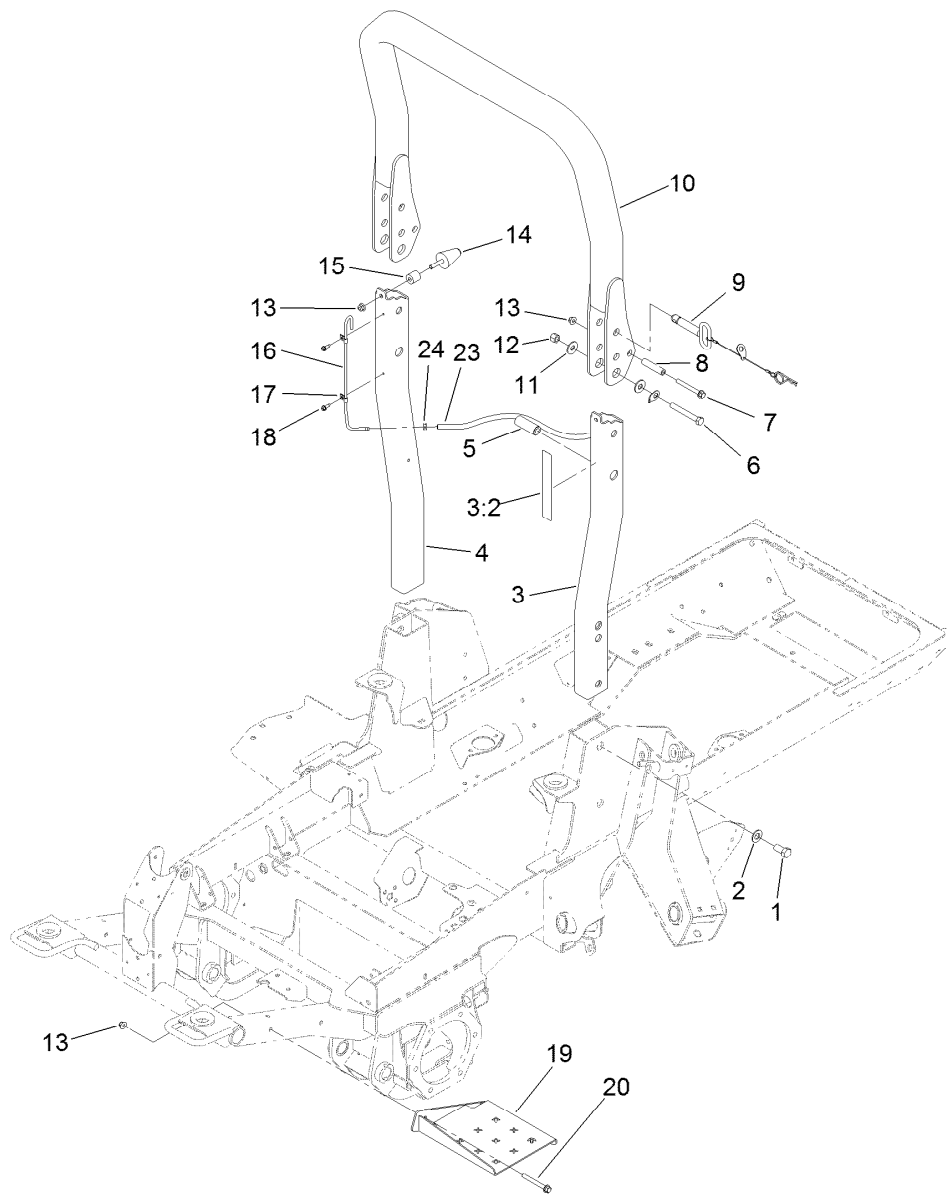
Impact Arm Assembly (continued)

| <i>Ref.</i> | <i>Part Number</i> | <i>Qty.</i> | <i>Description</i> | <i>Ref.</i> | <i>Part Number</i> | <i>Qty.</i> | <i>Description</i> |
|-------------|--------------------|-------------|--------------------|-------------|--------------------|-------------|--------------------|
| 39 | 3256-61 | 4 | Washer-Flat | 42 | 3296-2 | 4 | Nut-Lock, NI |
| 40 | 86-5350 | 2 | Bumper-Rubber | 43 | 3256-27 | 2 | Washer-Flat |
| 41 | 119-8308-03 | 2 | Plate | 44 | 94-6604 | 2 | Tube-Spacer |



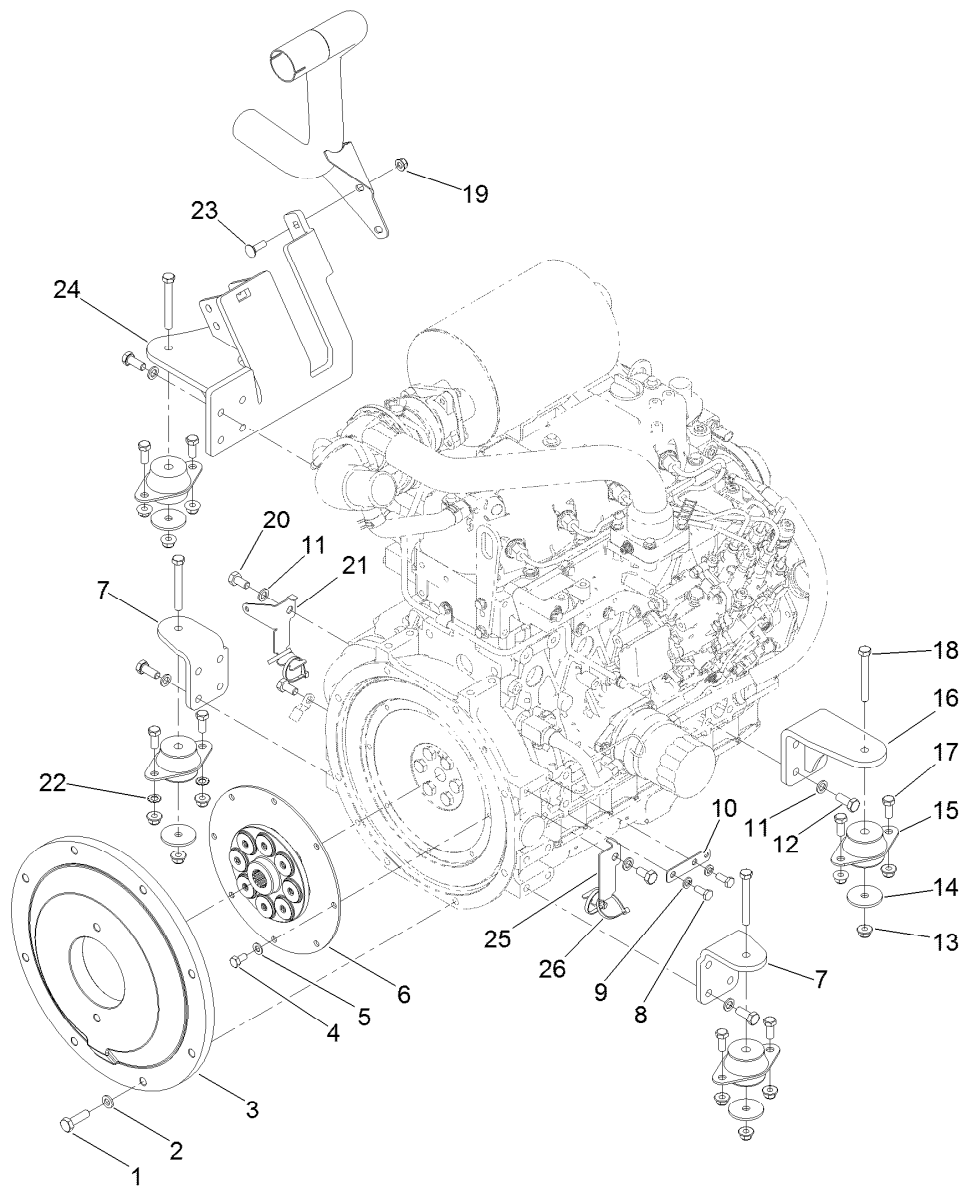
Frame, Bumper and Proximity Sensor Assembly

| <i>Ref.</i> | <i>Part Number</i> | <i>Qty.</i> | <i>Description</i> | <i>Ref.</i> | <i>Part Number</i> | <i>Qty.</i> | <i>Description</i> |
|-------------|--------------------|-------------|-----------------------------|-------------|--------------------|-------------|----------------------------|
| 1 | 120-4010-03 | 1 | Frame | 12 | 56-7971 | 2 | Clamp-Tube |
| 2 | 120-8919-03 | 1 | Bumper | 13 | 3230-5 | 1 | Bolt-CARR |
| 3 | 115-0282 | 1 | Proximity Sensor ASM | 14 | 104-8300 | 2 | Nut-HF, NI |
| 3:1 | 117-3207 | 2 | Nut-Hex | 15 | 121-1508-03 | 1 | Bracket-Bulkhead |
| 3:2 | 117-3208 | 2 | Washer-Lock, Internal Tooth | 16 | 323-6 | 4 | Screw-HH |
| 4 | 104-8301 | 6 | Nut-HF, NI | 17 | 322-10 | 1 | Screw-HH |
| 5 | 325-5 | 4 | Screw-HH | 18 | 69-9760 | 1 | Plate-Cover |
| 6 | 3256-26 | 4 | Washer-Flat | 19 | 56-7976 | 2 | Clamp-Tube |
| 7 | 32128-23 | 4 | Nut-HF | 20 | 240-2 | 3 | Grommet-Rubber |
| 8 | 105-8278 | 1 | Decal | 21 | 121-1481-03 | 1 | Plate-Mount, Bulkhead (LH) |
| 9 | 3234-1 | 3 | Screw-HHF | 22 | 2412-147 | 3 | Clamp-R |
| 10 | 2412-138 | 1 | R-Clamp | 23 | 3234-41 | 1 | Screw-HHF |
| 11 | 240-7 | 2 | Grommet-Rubber | | | | |



ROPS and Step Assembly

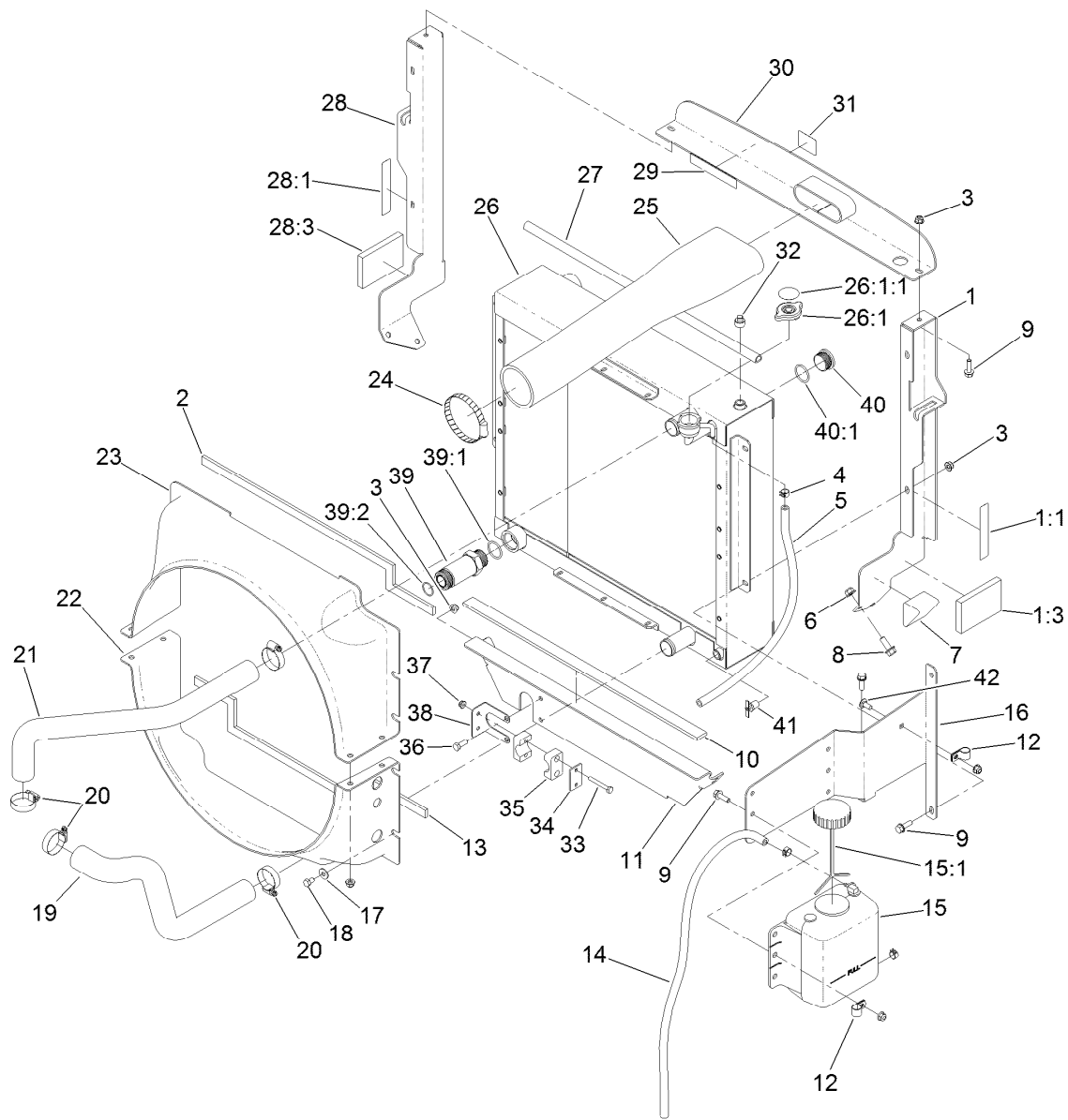
| <i>Ref.</i> | <i>Part Number</i> | <i>Qty.</i> | <i>Description</i> | <i>Ref.</i> | <i>Part Number</i> | <i>Qty.</i> | <i>Description</i> |
|-------------|--------------------|-------------|--------------------|-------------|--------------------|-------------|------------------------|
| 1 | 121-1658 | 4 | Screw-HH | 12 | 3296-23 | 2 | Nut-Lock, NI |
| 2 | 3256-27 | 4 | Washer-Flat | 13 | 104-8301 | 6 | Nut-HF, NI |
| 3 | 121-1744 | 1 | Left ROPS ASM | 14 | 121-1604 | 2 | Bumper-Rubber |
| 3:2 | 120-8947 | 1 | Decal-Danger, ROPS | 15 | 61-2220 | 2 | Spacer |
| 4 | 121-1632-03 | 1 | ROPS-Lower, RH | 16 | 121-1638 | 1 | Tube-Vent |
| 5 | 121-1660 | 2 | Spacer | 17 | 2412-72 | 2 | Clip-Closed, Insulated |
| 6 | 325-35 | 2 | Screw-HH | 18 | 32104-95 | 2 | Screw-HWH |
| 7 | 3234-41 | 2 | Screw-HHF | 19 | 120-9020-03 | 1 | Step |
| 8 | 106-0877 | 2 | Spacer-Shield | 20 | 3234-41 | 2 | Screw-HHF |
| 9 | 121-1629 | 2 | ROPS Fold Pin ASM | 23 | 110-5701 | 1 | Hose-Fuel |
| 10 | 121-1642 | 1 | ROPS-Upper | 24 | 2412-98 | 1 | Clamp-Hose |
| 11 | 3256-6 | 4 | Washer-Flat | | | | |



Flywheel and Motor Mount Assembly

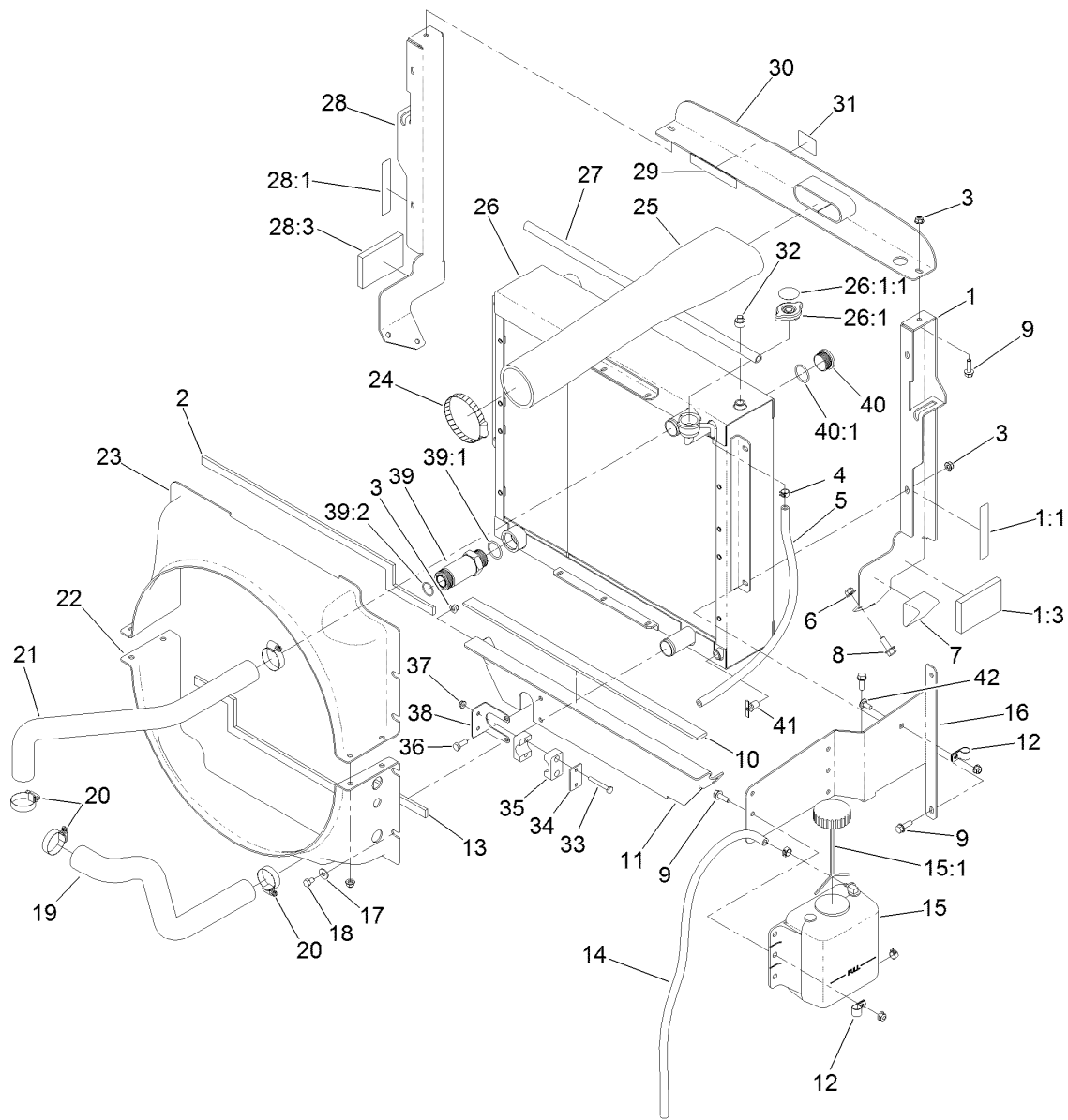
| <i>Ref.</i> | <i>Part Number</i> | <i>Qty.</i> | <i>Description</i> |
|-------------|--------------------|-------------|--------------------|
| 1 | 117-5663 | 8 | Screw-HH |
| 2 | 107-1413 | 8 | Washer-Hardened |
| 3 | 132-6120-03 | 1 | Plate-Flywheel |
| 4 | 99-5132 | 8 | Bolt |
| 5 | 87-7510 | 8 | Washer-Flat |
| 6 | 132-6121 | 1 | Coupling-Flywheel |
| 7 | 120-4066-03 | 2 | Mount-Motor, Front |
| 8 | 33114-020 | 2 | Screw-HH |
| 9 | 3253-4 | 2 | Washer-Lock |
| 10 | 121-5636 | 1 | Tab-Harness |
| 11 | 48-9590 | 18 | Washer-Lock |
| 12 | 33115-025 | 16 | Screw-HH |
| 13 | 104-8301 | 12 | Nut-HF, NI |

| <i>Ref.</i> | <i>Part Number</i> | <i>Qty.</i> | <i>Description</i> |
|-------------|--------------------|-------------|---------------------|
| 14 | 63-7400 | 4 | Washer-Rebound |
| 15 | 53-9682 | 4 | Mount-Engine |
| 16 | 120-4068-03 | 1 | Mount-Motor |
| 17 | 323-5 | 8 | Screw-HH |
| 18 | 323-14 | 4 | Screw-HH |
| 19 | 104-8300 | 2 | Nut-HF, NI |
| 20 | 33115-020 | 3 | Screw-HH |
| 21 | 127-2774 | 1 | Bracket-Harness, RH |
| 22 | 3255-9 | 2 | Washer-Lock |
| 23 | 3230-2 | 2 | Bolt-CARR |
| 24 | 127-3722-03 | 1 | Mount-Motor |
| 25 | 127-2773 | 1 | Bracket-Harness, LH |
| 26 | 3290-378 | 4 | Tie-Cable |



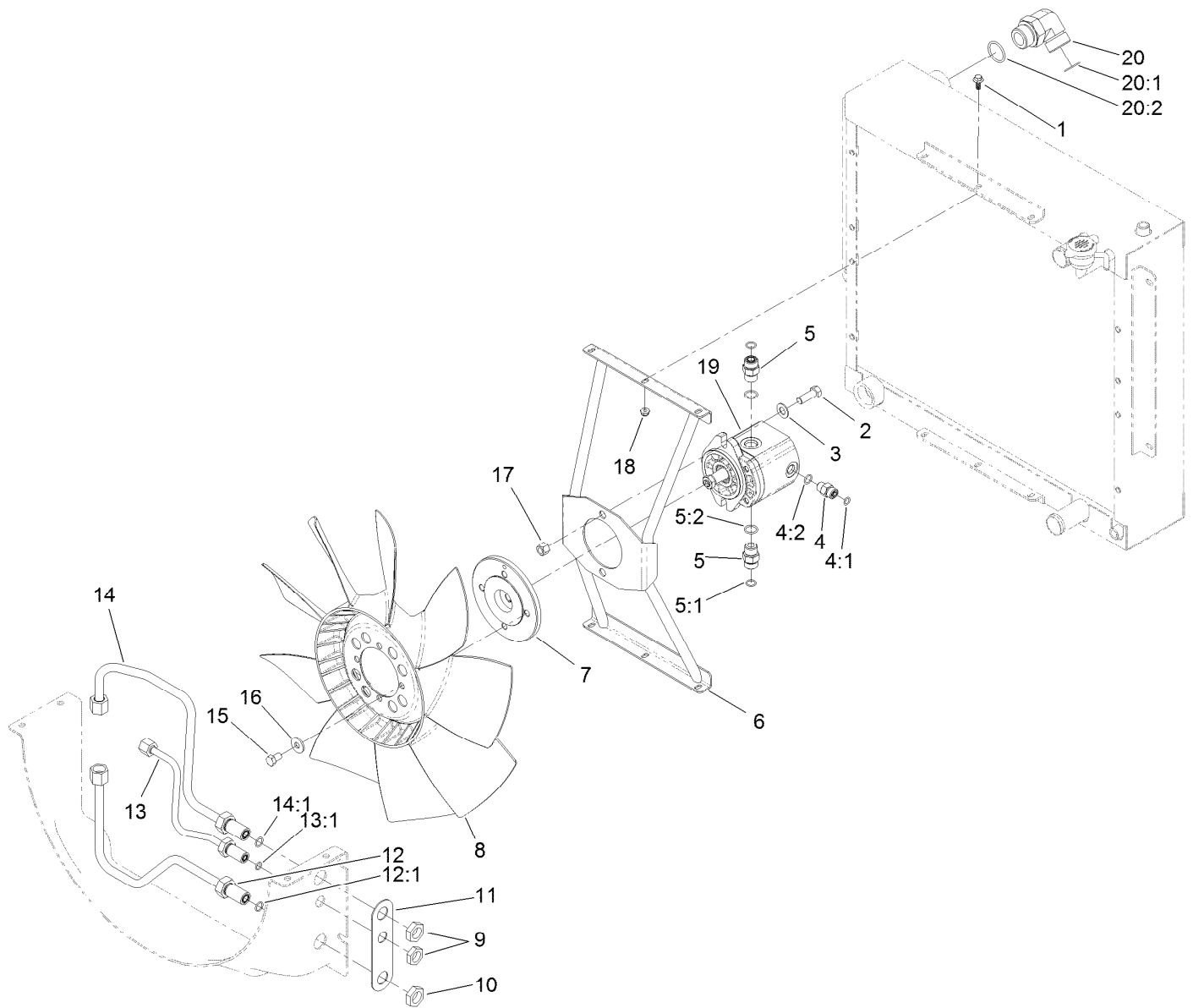
Radiator Assembly

| Ref. | Part Number | Qty. | Description | Ref. | Part Number | Qty. | Description |
|------|-------------|------|-------------------------|--------|-------------|------|-------------------------|
| 1 | 121-1479 | 1 | LH Radiator Support ASM | 19 | 121-1746 | 1 | Hose-Radiator, Lower |
| 1:1 | 93-7272 | 1 | Decal-Warning | 20 | 2412-111 | 4 | Clamp |
| 1:3 | 100-2196 | 1 | Pad-Foam | 21 | 121-1747 | 1 | Hose-Radiator, Upper |
| 2 | 121-1684 | 1 | Foam-Radiator | 22 | 121-1517 | 1 | Shroud-Radiator, Lower |
| 3 | 104-8300 | 15 | Nut-HF, NI | 23 | 121-1515 | 1 | Shroud-Radiator, Upper |
| 4 | 92-2379 | 3 | Clamp-Hose | 24 | 2412-110 | 1 | Clamp-Band/Screw |
| 5 | 110-4112 | 1 | Hose-Fuel | 25 | 121-1474 | 1 | Hose-Inlet, Air Cleaner |
| 6 | 104-8301 | 6 | Nut-HF, NI | 26 | 132-6161 | 1 | Radiator/Oil Cooler |
| 7 | 93-5954 | 2 | Plug-Foam | 26:1 | 115-7766 | 1 | Cap-Radiator |
| 8 | 3234-11 | 6 | Screw-HHF | 26:1:1 | 106-6755 | 1 | Decal-Cap, Radiator |
| 9 | 3234-29 | 12 | Screw-HHF | 27 | 114-3828 | 1 | Seal-Bulb |
| 10 | 104-2226 | 1 | Strip-Foam | 28 | 121-1478 | 1 | RH Radiator Support ASM |
| 11 | 120-8968-03 | 1 | Bracket-Hose | 28:1 | 93-7272 | 1 | Decal-Warning |
| 12 | 92-6064 | 2 | Clamp-R | 28:3 | 100-2196 | 1 | Pad-Foam |
| 13 | 121-1685 | 1 | Foam-Radiator, Lower | 29 | 93-7272 | 1 | Decal-Warning |
| 14 | 110-9662 | 1 | Hose-Fuel | 30 | 136-4364-03 | 1 | Bracket-Intake |
| 15 | 120-5571 | 1 | Coolant Reservoir ASM | 31 | 117-4765 | 1 | Decal-Starting Fluid |
| 15:1 | 87-7050 | 1 | Cap-Reservoir | 32 | 281-13 | 1 | Plug-Pipe |
| 16 | 130-0603-03 | 1 | Bracket-Mount, Bottle | 33 | 321-11 | 2 | Screw-HH |
| 17 | 3256-3 | 8 | Washer-Flat | 34 | 114-4902 | 1 | Plate-Cover |
| 18 | 322-1 | 8 | Screw-HH | 35 | 114-4901 | 1 | Clamp |



Radiator Assembly (continued)

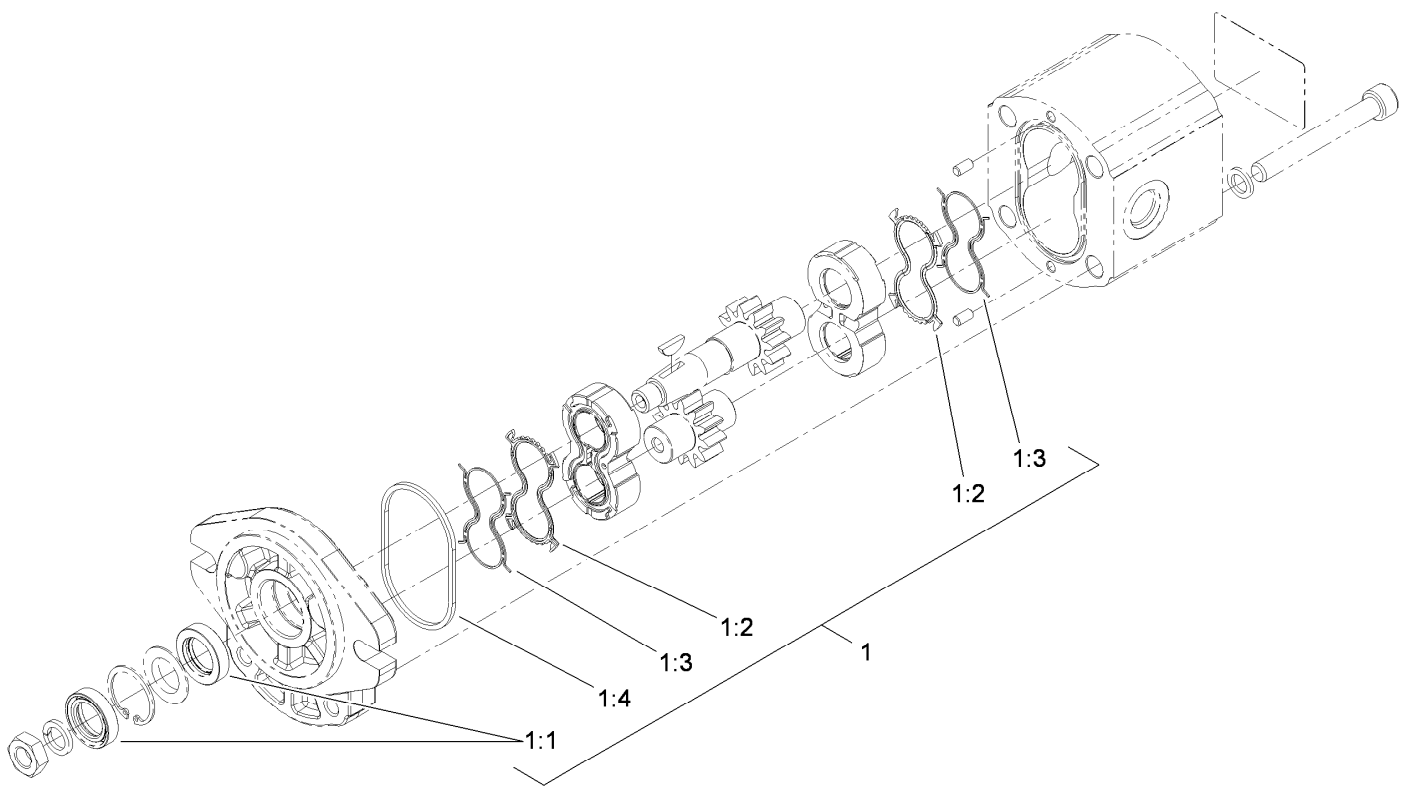
| <i>Ref.</i> | <i>Part Number</i> | <i>Qty.</i> | <i>Description</i> | <i>Ref.</i> | <i>Part Number</i> | <i>Qty.</i> | <i>Description</i> |
|-------------|--------------------|-------------|--------------------|-------------|--------------------|-------------|--------------------|
| 36 | 322-4 | 2 | Screw-HH | 39:2 | 340-65 | 1 | O-Ring |
| 37 | 104-7201 | 2 | Nut-HF | 40 | 106-2030 | 1 | Plug-Hex, Hollow |
| 38 | 120-8984 | 1 | Bracket-Clamp | 40:1 | 237-146 | 1 | O-Ring |
| 39 | 100-5565 | 1 | Fitting-STR | 41 | 304-46 | 1 | Draincock |
| 39:1 | 237-146 | 1 | O-Ring | 42 | 3230-23 | 1 | Screw-CARR |



Fan Mounting and Hardline Assembly

| Ref. | Part Number | Qty. | Description |
|------|-------------|------|------------------|
| 1 | 99-6810 | 6 | Screw-HHF |
| 2 | 324-5 | 2 | Screw-HH |
| 3 | 3256-25 | 2 | Washer-Flat |
| 4 | 340-2 | 1 | Fitting-Straight |
| 4:1 | 237-22 | 1 | O-Ring |
| 4:2 | 237-42 | 1 | O-Ring |
| 5 | 340-4 | 2 | Fitting-Straight |
| 5:1 | 237-30 | 1 | O-Ring |
| 5:2 | 237-79 | 1 | O-Ring |
| 6 | 120-8935-03 | 1 | Bracket-Fan |
| 7 | 117-2364 | 1 | Hub-Fan |
| 8 | 114-3825 | 1 | Fan |
| 9 | 340-70 | 1 | Nut-Lock |
| 10 | 340-127 | 2 | Nut-Bulkhead |
| 11 | 121-1518 | 1 | Shim-Support |

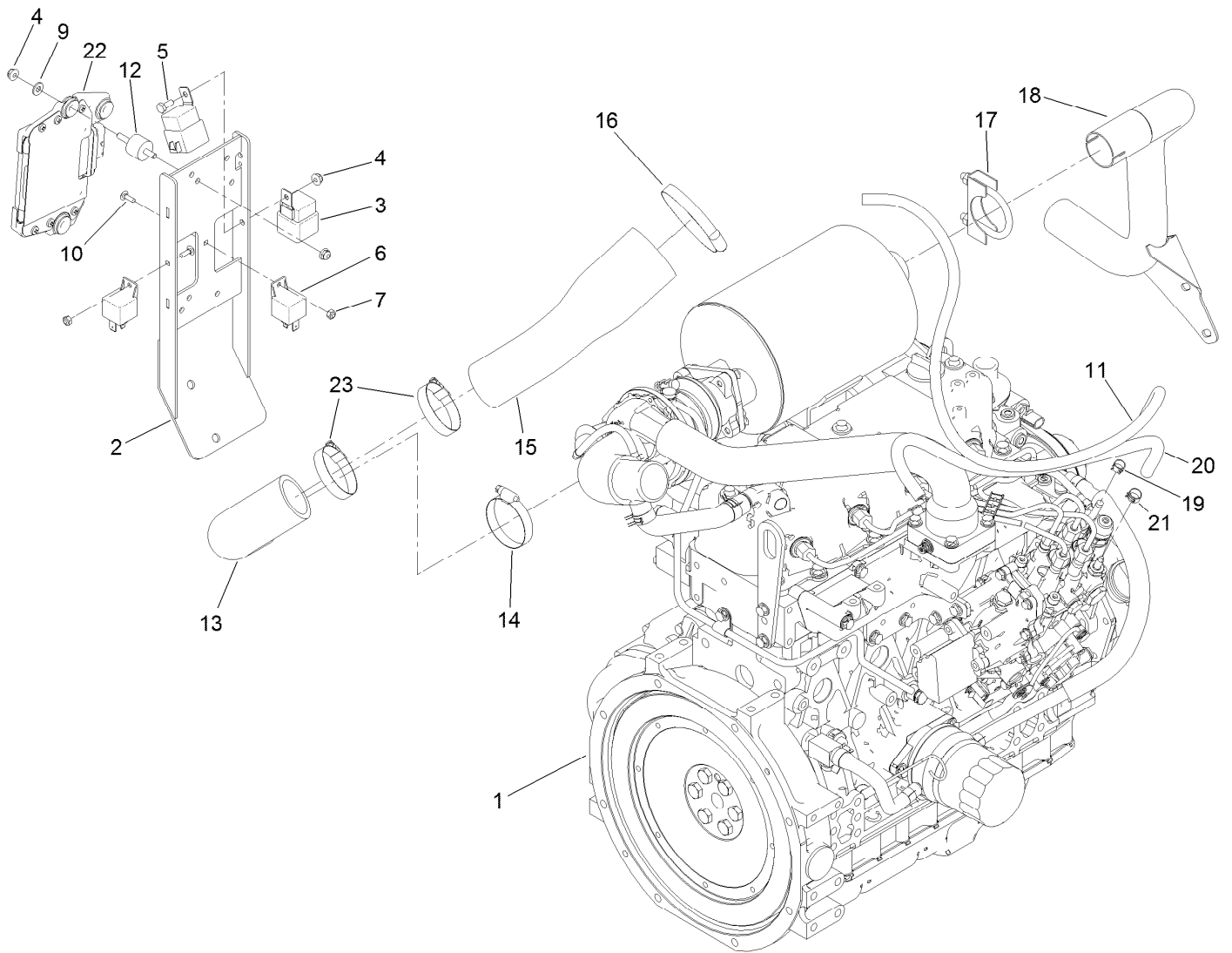
| Ref. | Part Number | Qty. | Description |
|------|-------------|------|-----------------------|
| 12 | 121-1554 | 1 | Tube-HYD |
| 12:1 | 237-30 | 1 | O-Ring |
| 13 | 121-1555 | 1 | Tube ASM |
| 13:1 | 237-22 | 1 | O-Ring |
| 14 | 121-1553 | 1 | Tube-HYD |
| 14:1 | 237-30 | 1 | O-Ring |
| 15 | 115-8486 | 4 | Screw-HH |
| 16 | 80-6990 | 4 | Washer-Hardened |
| 17 | 3296-48 | 2 | Nut-Hex |
| 18 | 104-7201 | 6 | Nut-HF |
| 19 | 117-4769 | 1 | HYD Motor ASM |
| 20 | 340-129 | 1 | Fitting-Elbow, 90 DEG |
| 20:1 | 237-146 | 1 | O-Ring |
| 20:2 | 340-65 | 1 | O-Ring |



Hydraulic Motor Assembly No. 117-4769

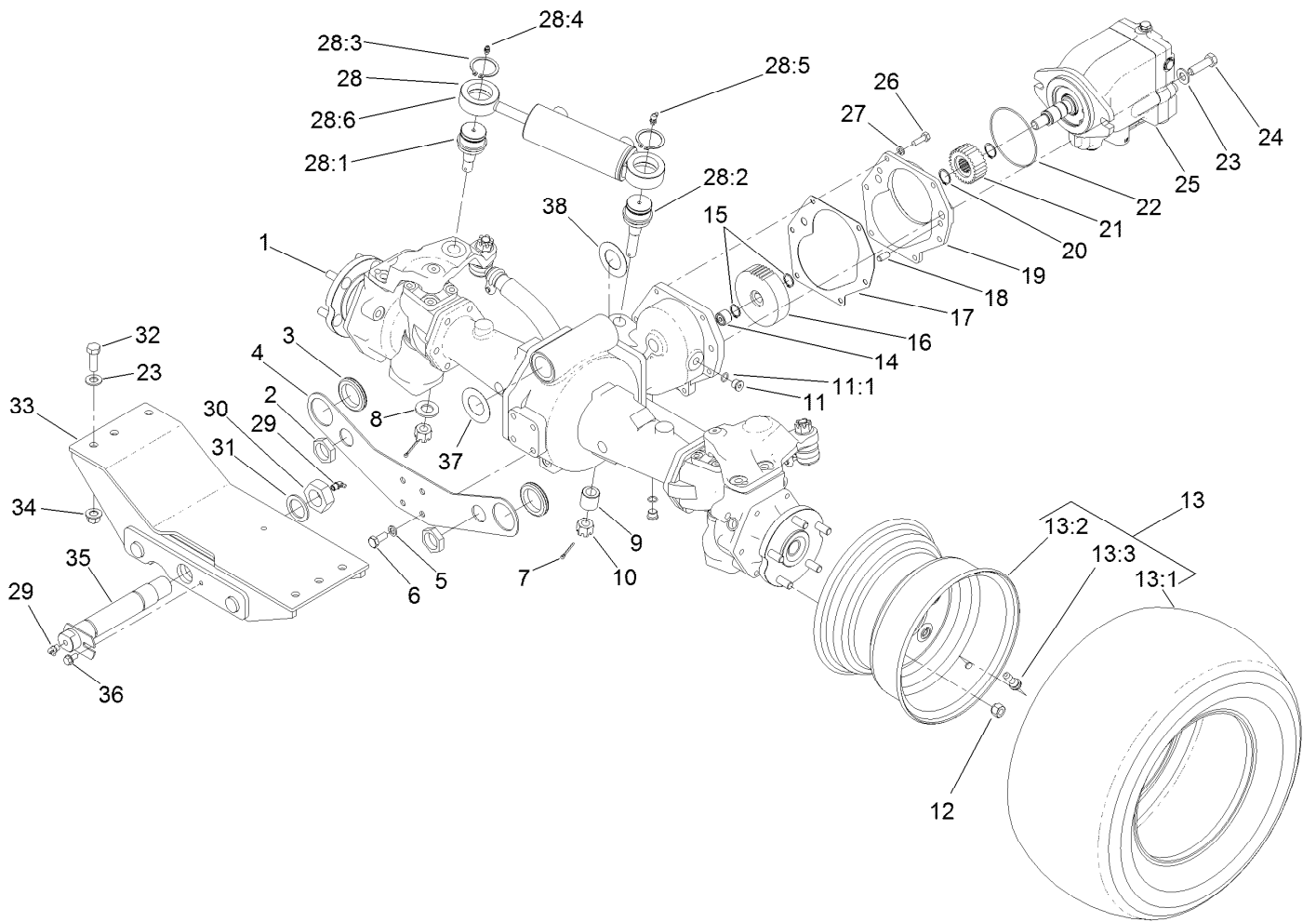
| <i>Ref.</i> | <i>Part Number</i> | <i>Qty.</i> | <i>Description</i> |
|-------------|--------------------|-------------|-------------------------|
| 1 | 115-4110 | 1 | Seal Kit |
| 1:1 | | 2 | Seal-Shaft ● |
| 1:2 | | 2 | Seal-Plate, Balancing ● |
| 1:3 | | 2 | Seal-Anti Extrusion ● |
| 1:4 | | 2 | O-Ring (Housing) ● |

● Not serviced separately



Engine, Intake and Exhaust Assembly

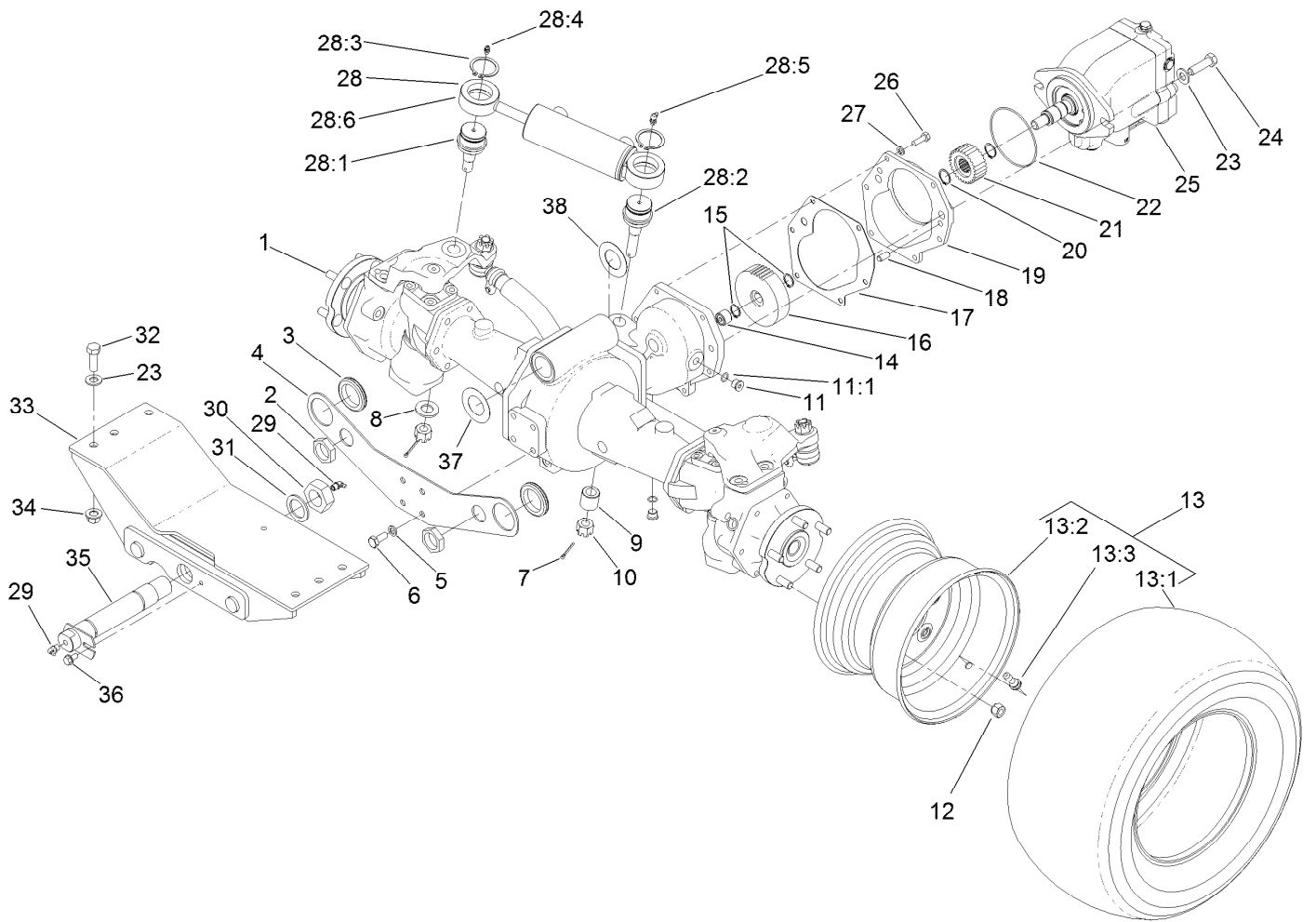
| <i>Ref.</i> | <i>Part Number</i> | <i>Qty.</i> | <i>Description</i> | <i>Ref.</i> | <i>Part Number</i> | <i>Qty.</i> | <i>Description</i> |
|-------------|--------------------|-------------|--------------------|-------------|--------------------|-------------|--------------------------|
| 1 | 120-4112 | 1 | Engine-Yanmar, T4l | 13 | 121-1589 | 1 | Hose-Outlet, Air Cleaner |
| 2 | 136-4430-03 | 1 | Mount-Controller | 14 | 2412-130 | 1 | Clamp-Hose |
| 3 | 99-7430 | 2 | Relay-Mini | 15 | 121-1590 | 1 | Hose-Outlet, Air Cleaner |
| 4 | 104-7201 | 7 | Nut-HF | 16 | 2412-110 | 1 | Clamp-Band/Screw |
| 5 | 321-3 | 1 | Screw-HH | 17 | 18-2130 | 1 | Clamp |
| 6 | 99-7435 | 2 | Relay | 18 | 121-1616 | 1 | Pipe-Exhaust |
| 7 | 3296-2 | 2 | Nut-Lock, NI | 19 | 2412-98 | 1 | Clamp-Hose |
| 9 | 3256-22 | 3 | Washer-Flat | 20 | 108-3284 | 1 | Hose-Fuel |
| 10 | 1-807533 | 2 | Bolt-CARR | 21 | 92-2379 | 1 | Clamp-Hose |
| 11 | 110-5702 | 1 | Hose-Fuel | 22 | 121-1591 | 1 | Controller-Engine |
| 12 | 132-1356 | 3 | Mount-Isolator | 23 | 2412-130 | 2 | Clamp-Hose |



Rear Axle and Steering Cylinder Assembly

| Ref. | Part Number | Qty. | Description | Ref. | Part Number | Qty. | Description |
|------|-------------|------|------------------------|------|-------------|------|--------------------------|
| 1 | 110-4750 | 1 | Drive Axle ASM | 15 | 32120-15 | 2 | Ring-Snap, EXT |
| 2 | 340-126 | 2 | Nut-Bulkhead | 16 | 100-3053 | 1 | Gear-45 Tooth |
| 3 | 240-2 | 2 | Grommet-Rubber | 17 | 106-1140 | 1 | Gasket |
| 4 | 120-9069-03 | 1 | Plate-Mount, Bulkhead | 18 | 104-2353 | 2 | Pin-Dowel |
| 5 | 43-0090 | 4 | Screw-HH | 19 | 95-7541 | 1 | Plate-Cover |
| 6 | 48-9590 | 4 | Washer-Lock | 20 | 32120-76 | 2 | Ring-Snap, EXT |
| 7 | 3272-12 | 2 | Pin-Cotter | 21 | 104-0755 | 1 | Pinion-27 Tooth |
| 8 | 92-5836 | 1 | Washer | 22 | 237-166 | 1 | O-Ring |
| 9 | 100-3796 | 1 | Spacer-Joint, Ball | 23 | 3256-26 | 8 | Washer-Flat |
| 10 | 32136-14 | 2 | Nut-Hst | 24 | 325-7 | 2 | Screw-HH |
| 11 | 353-989 | 2 | Plug-Hex, Hollow | 25 | 120-8814 | 1 | HYD Motor ASM |
| 11:1 | 237-42 | 1 | O-Ring | 26 | 33114-025 | 6 | Screw-HH |
| 12 | 93-5268 | 10 | Nut-Lug | 27 | 3253-4 | 6 | Washer-Lock |
| 13 | | 2 | Tire And Wheel ASM ● | 28 | 121-1535 | 1 | Steering Cylinder ASM |
| 13:1 | 120-8910 | 1 | Tire-Off Road | 28:1 | 106-6774 | 1 | Joint-Ball |
| 13:2 | 120-8909 | 1 | Rim | 28:2 | 100-3795 | 1 | Joint-Ball |
| 13:3 | 232-27 | 1 | Stem-Valve | 28:3 | 32151-104 | 2 | Ring-Retaining, External |
| 14 | 74-5700 | 1 | Bearing-Needle, Roller | 28:4 | 302-5 | 1 | Fitting-Grease |

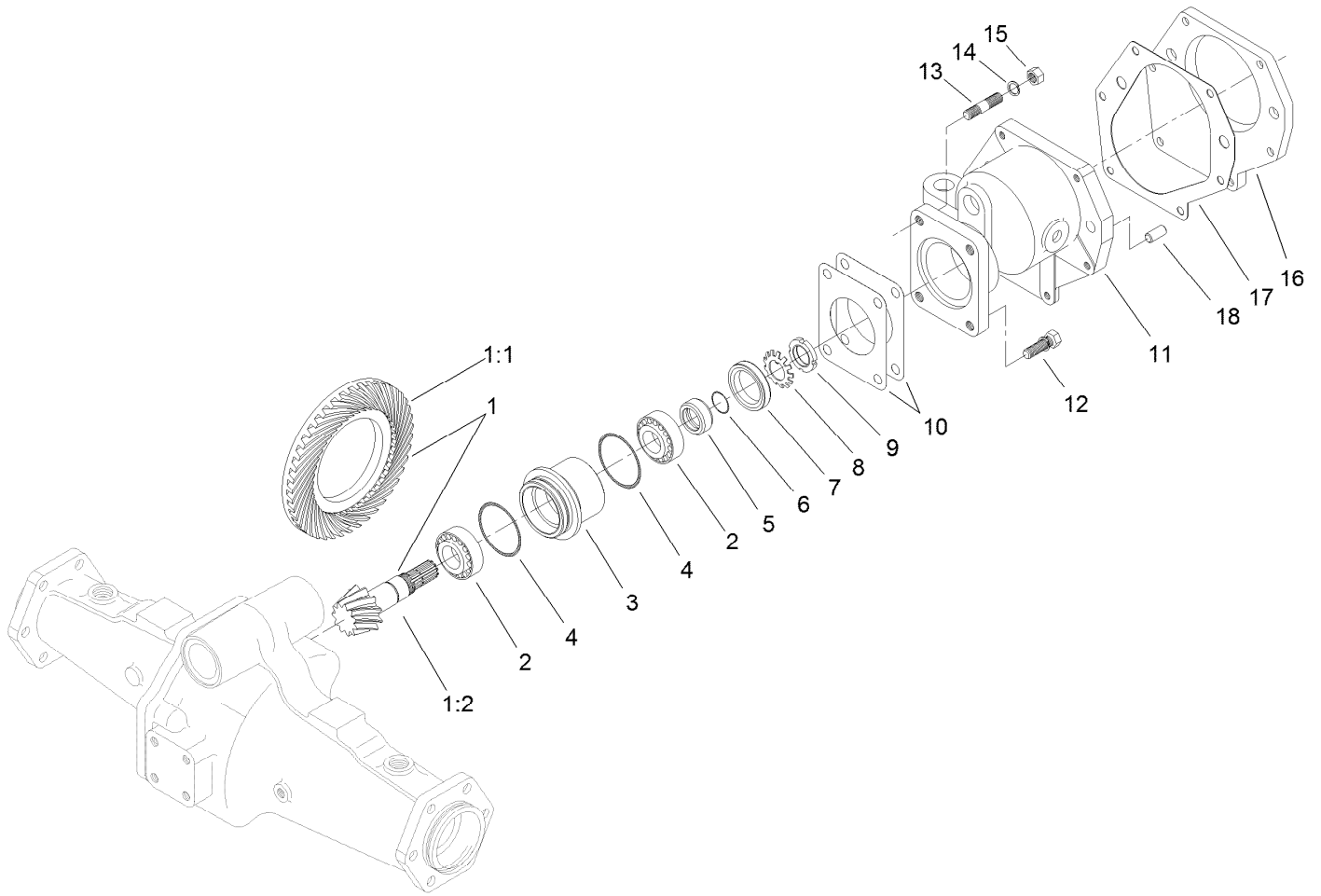
● Not serviced separately



Rear Axle and Steering Cylinder Assembly (continued)

| <i>Ref.</i> | <i>Part Number</i> | <i>Qty.</i> | <i>Description</i> | <i>Ref.</i> | <i>Part Number</i> | <i>Qty.</i> | <i>Description</i> |
|-------------|--------------------|-------------|---------------------------|-------------|--------------------|-------------|--------------------|
| 28:5 | 302-60 | 1 | Fitting-Grease | 33 | 130-2744-03 | 1 | Mount-Rear |
| 28:6 | 121-1534 | 1 | HYD Steering Cylinder ASM | 34 | 99-5107 | 6 | Nut-Lock |
| 29 | 302-33 | 2 | Fitting-Grease | 35 | 98-7077 | 1 | Pin-Axle, Rear |
| 30 | 3296-68 | 1 | Nut-Lock, NI | 36 | 32144-14 | 1 | Screw-HWHTF |
| 31 | 92-1765 | 1 | Washer-Thrust | 37 | 99-8431 | 2 | Washer-Thrust |
| 32 | 325-6 | 6 | Screw-HH | 38 | 99-8432 | 2 | Washer-Thrust |

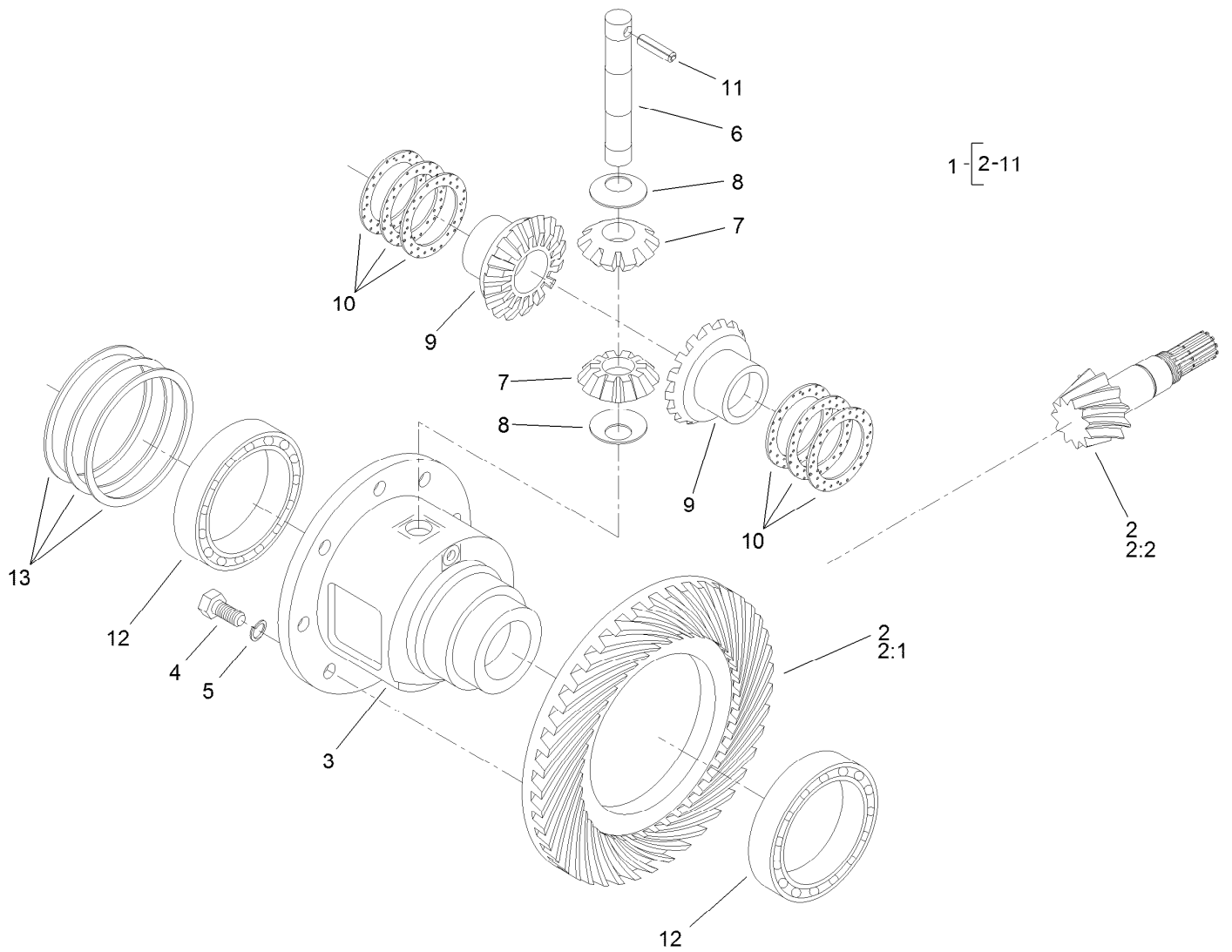
● Not serviced separately



Bevel Pinion Shaft Assembly Rear Axle Assembly No. 110-4750

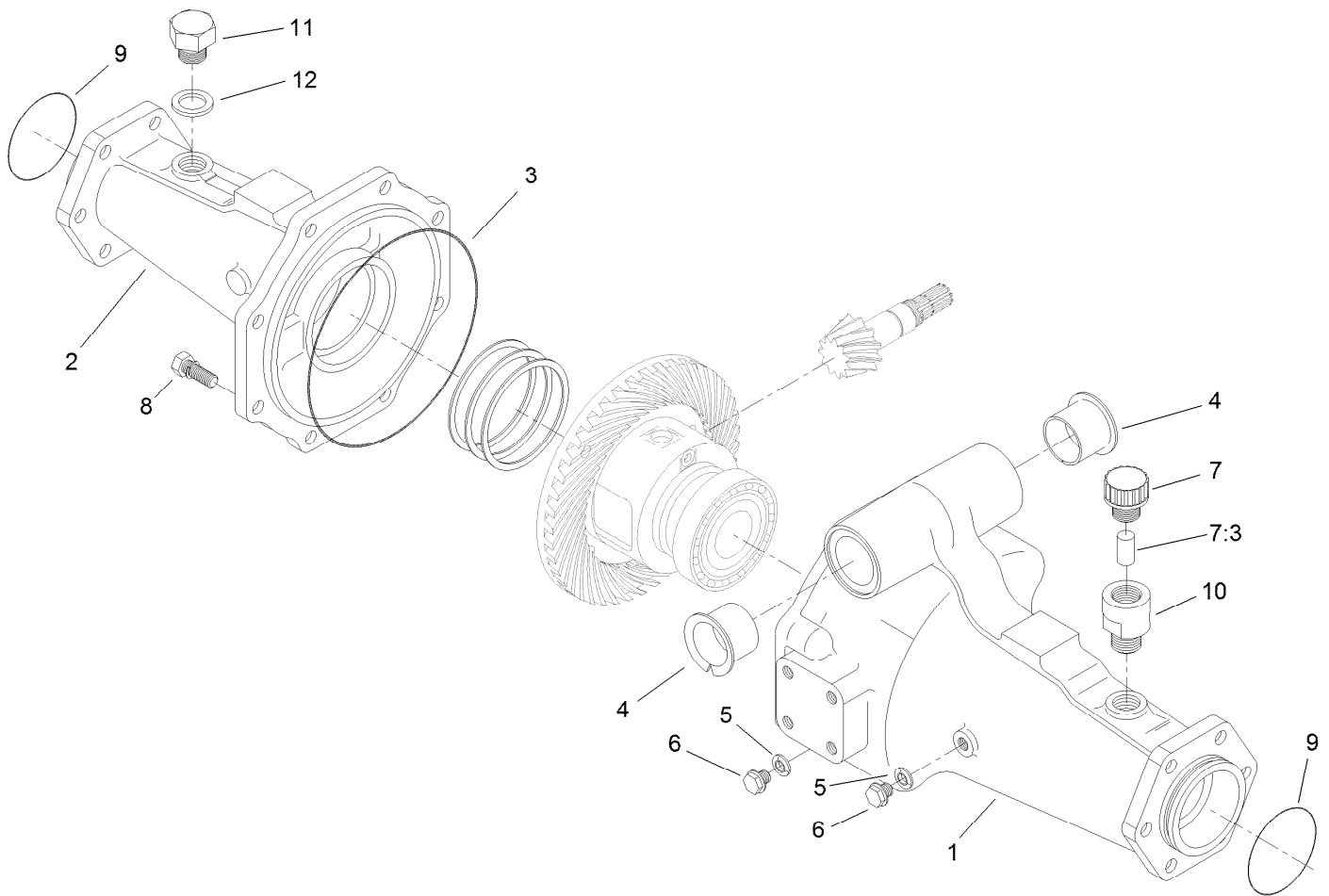
| <i>Ref.</i> | <i>Part Number</i> | <i>Qty.</i> | <i>Description</i> |
|-------------|--------------------|-------------|-----------------------------|
| 1 | 106-1093 | 1 | Ring And Pinion Set |
| 1:1 | 95-7504 | 1 | Gear-43 Tooth, Bevel Spiral |
| 1:2 | 106-1092 | 1 | Pinion-Spiral, Bevel |
| 2 | 99-7570 | 2 | Bearing-Roller, Taper |
| 3 | 95-7534 | 1 | Case-Bearing |
| 4 | 106-1065 | 2 | O-Ring |
| 5 | 99-7572 | 1 | Collar-Seal, Oil |
| 6 | 106-1066 | 1 | O-Ring |
| 7 | 99-7574 | 1 | Seal-Oil |
| 8 | 99-7559 | 1 | Washer-Lock |
| 9 | 99-7560 | 1 | Nut-Lock |

| <i>Ref.</i> | <i>Part Number</i> | <i>Qty.</i> | <i>Description</i> |
|-------------|--------------------|-------------|--------------------|
| 10 | 99-7550 | 2 | Shim 0.1 |
| 10 | 99-7551 | 2 | Shim 0.2 |
| 11 | 95-7533 | 1 | Case-Gear |
| 12 | 99-7575 | 2 | Bolt |
| 13 | 98-7735 | 2 | Stud |
| 14 | 99-7527 | 2 | Washer-Spring |
| 15 | 99-7526 | 2 | Nut |
| 16 | 95-7541 | 1 | Plate-Cover |
| 17 | 106-1140 | 1 | Gasket |
| 18 | 104-2353 | 2 | Pin-Dowel |



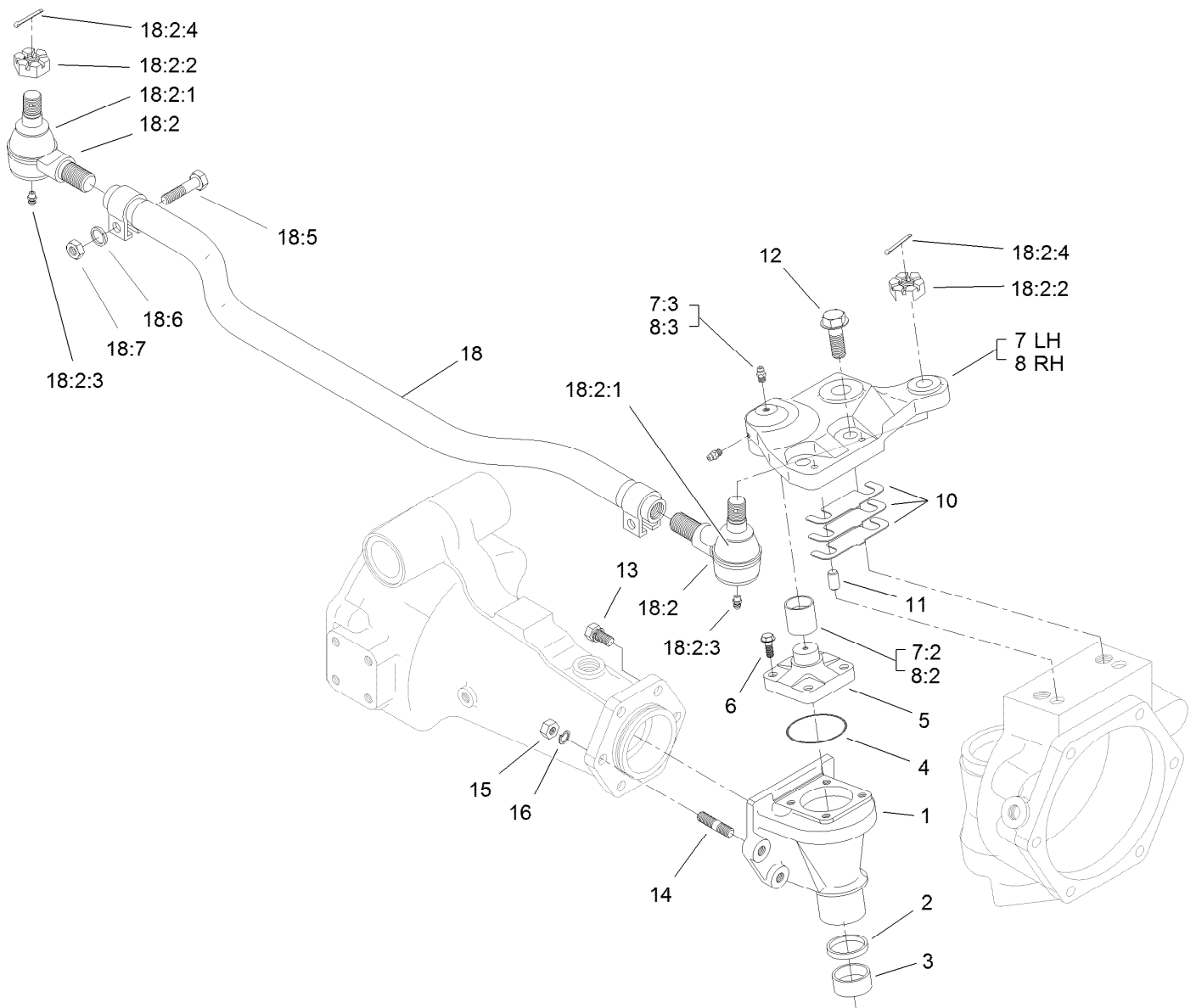
Differential Assembly Rear Axle Assembly No. 110-4750

| <i>Ref.</i> | <i>Part Number</i> | <i>Qty.</i> | <i>Description</i> | <i>Ref.</i> | <i>Part Number</i> | <i>Qty.</i> | <i>Description</i> |
|-------------|--------------------|-------------|-----------------------------|-------------|--------------------|-------------|---------------------|
| 1 | 95-7503 | 1 | Differential ASM | 9 | 99-7581 | 2 | Gear-Differential |
| 2 | 106-1093 | 1 | Ring And Pinion Set | 10 | 99-7582 | 2 | Washer-Differential |
| 2:1 | 95-7504 | 1 | Gear-43 Tooth, Bevel Spiral | 10 | 99-7583 | 2 | Washer-Differential |
| 2:2 | 106-1092 | 1 | Pinion-Spiral, Bevel | 10 | 99-7584 | 2 | Washer-Differential |
| 3 | 95-7502 | 1 | Case-Differential | 11 | 99-7588 | 1 | Pin-Spring |
| 4 | 99-7576 | 8 | Bolt | 12 | 99-7562 | 2 | Bearing-Ball |
| 5 | 3253-4 | 8 | Washer-Lock | 13 | 99-7585 | 2 | Shim 0.1 |
| 6 | 99-7578 | 1 | Shaft-Differential | 13 | 99-7586 | 2 | Shim 0.2 |
| 7 | 99-7579 | 2 | Pinion-Differential | 13 | 99-7587 | 2 | Shim 0.4 |
| 8 | 99-7580 | 2 | Washer-Differential | | | | |



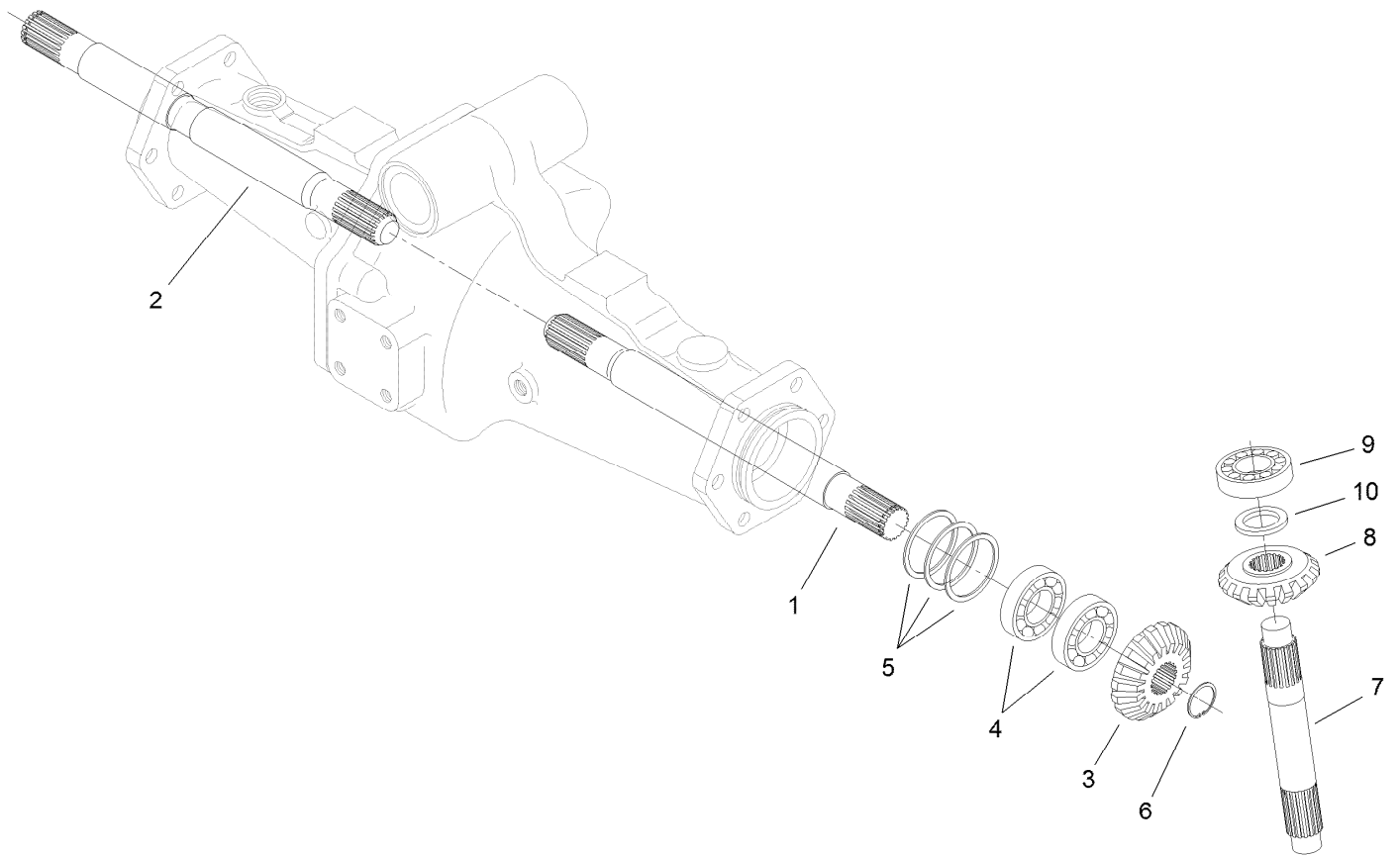
Axle Support Assembly Rear Axle Assembly No. 110-4750

| <i>Ref.</i> | <i>Part Number</i> | <i>Qty.</i> | <i>Description</i> |
|-------------|--------------------|-------------|---------------------|
| 1 | 95-7508 | 1 | Support-Axle |
| 2 | 95-7506 | 1 | Support-Axle |
| 3 | 106-1067 | 1 | O-Ring |
| 4 | 95-7537 | 2 | Bushing-Flanged |
| 5 | 99-7590 | 2 | Washer-Seal |
| 6 | 99-7589 | 2 | Plug |
| 7 | 110-4812 | 1 | Axle Vent ASM |
| 7:3 | 110-4815 | 1 | Insert-Filter, Foam |
| 8 | 99-7592 | 8 | Bolt |
| 9 | 106-1068 | 2 | O-Ring |
| 10 | 104-2377 | 1 | Extension-Vent |
| 11 | 104-8643 | 1 | Plug |
| 12 | 104-8644 | 1 | O-Ring |



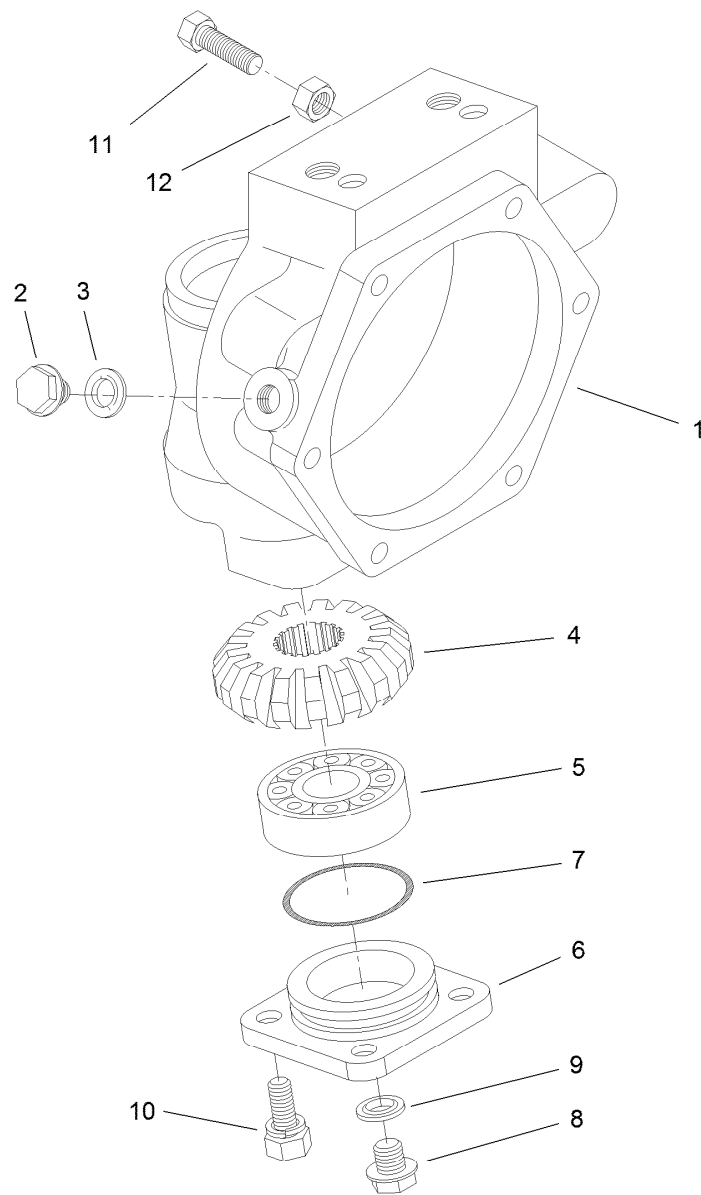
Bevel Gear Case Assembly Rear Axle Assembly No. 110-4750

| Ref. | Part Number | Qty. | Description | Ref. | Part Number | Qty. | Description |
|------|-------------|------|---------------------|--------|-------------|------|--------------------------------|
| 1 | 110-4752 | 2 | Case-Gear, Bevel | 12 | 104-2375 | 4 | Bolt |
| 2 | 110-4754 | 2 | Seal-Oil | 13 | 99-7599 | 8 | Bolt |
| 3 | 104-2378 | 2 | Bushing | 14 | 99-7525 | 4 | Stud |
| 4 | 106-1069 | 2 | O-Ring | 15 | 99-7526 | 4 | Nut |
| 5 | 104-2373 | 2 | Knuckle | 16 | 99-7527 | 4 | Washer-Spring |
| 6 | 104-2374 | 8 | Bolt | 18 | 106-1141 | 1 | Steering Tie Rod ASM |
| 7 | 100-3768 | 1 | LH Steering Arm ASM | 18:2 | 106-1113 | 2 | Tie Rod End ASM - RH Thread |
| 7:2 | 104-8634 | 1 | Bushing | 18:2:1 | 100-3853 | 1 | Cover-Dust |
| 7:3 | 106-1104 | 2 | Fitting-Grease | 18:2:2 | 100-3854 | 1 | Nut-Castle |
| 8 | 100-3766 | 1 | RH Steering Arm ASM | 18:2:3 | 110-4755 | 1 | Fitting-Grease |
| 8:2 | 104-8634 | 1 | Bushing | 18:2:4 | 3272-11 | 1 | Pin-Cotter |
| 8:3 | 106-1104 | 2 | Fitting-Grease | 18:5 | 100-3855 | 2 | Bolt |
| 10 | 95-7547 | 2 | Shim 0.1 | 18:6 | 99-7527 | 2 | Washer-Spring |
| 10 | 95-7548 | 2 | Shim 0.2 | 18:7 | 99-7526 | 2 | Nut |
| 10 | 95-7549 | 2 | Shim 0.3 | | | | |
| 11 | 99-7597 | 4 | Pin-Dowel | | | | |



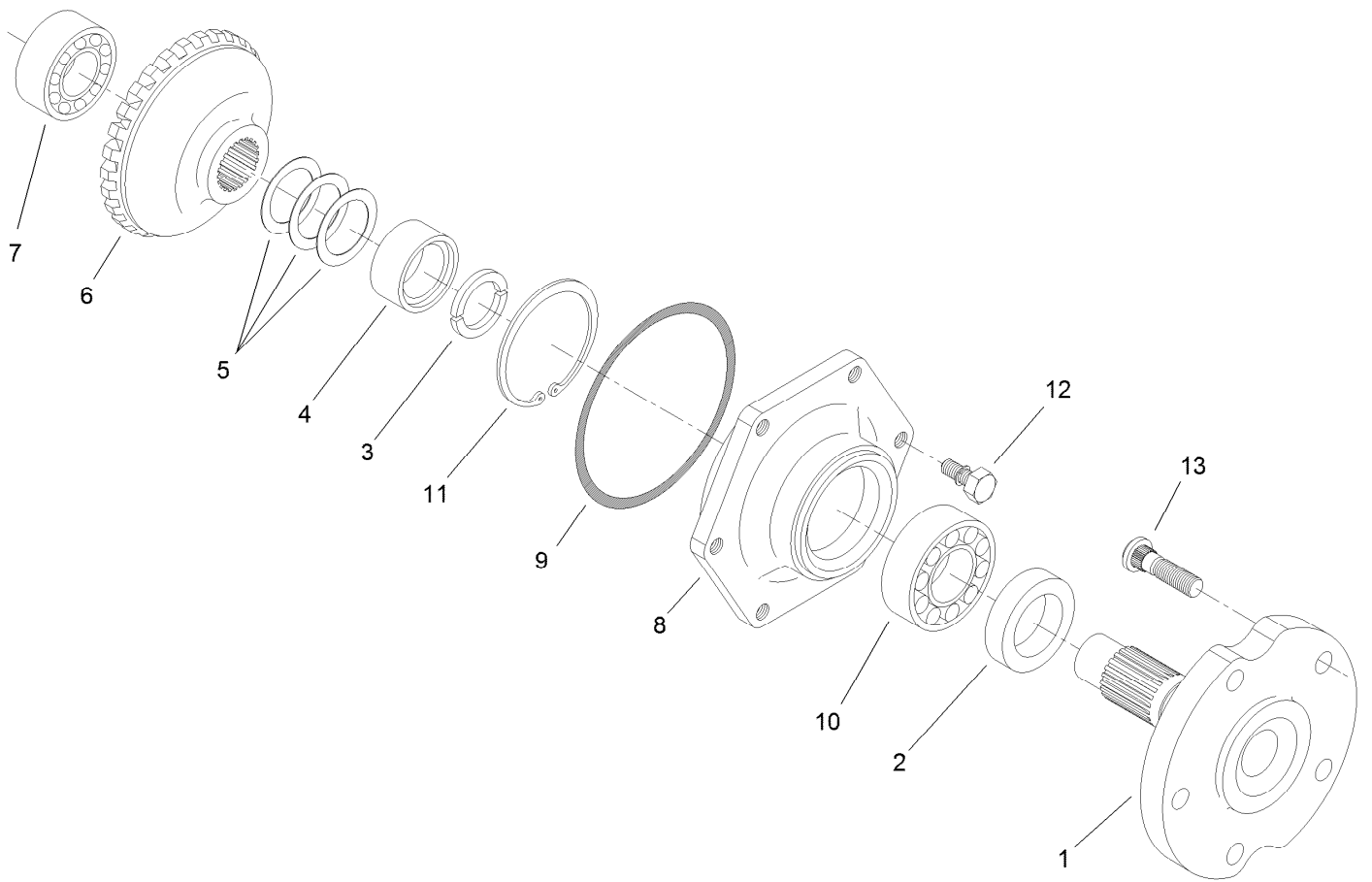
Bevel Gear Shaft Assembly Rear Axle Assembly No. 110-4750

| <i>Ref.</i> | <i>Part Number</i> | <i>Qty.</i> | <i>Description</i> |
|-------------|--------------------|-------------|--------------------------|
| 1 | 95-7509 | 1 | Shaft-Gear, Differential |
| 2 | 95-7512 | 1 | Shaft-Gear, Differential |
| 3 | 95-7517 | 2 | Gear-Bevel, 15 Tooth |
| 4 | 99-7530 | 4 | Bearing-Ball |
| 5 | 99-7552 | 2 | Shim 0.1 |
| 5 | 99-7553 | 2 | Shim 0.2 |
| 5 | 99-7554 | 2 | Shim 0.5 |
| 6 | 99-7531 | 2 | Clip |
| 7 | 110-4753 | 2 | Shaft-Gear, Bevel |
| 8 | 95-7519 | 2 | Gear-Bevel, 17 Tooth |
| 9 | 99-7532 | 2 | Bearing-Roller, Taper |
| 10 | 99-7558 | 2 | Collar |



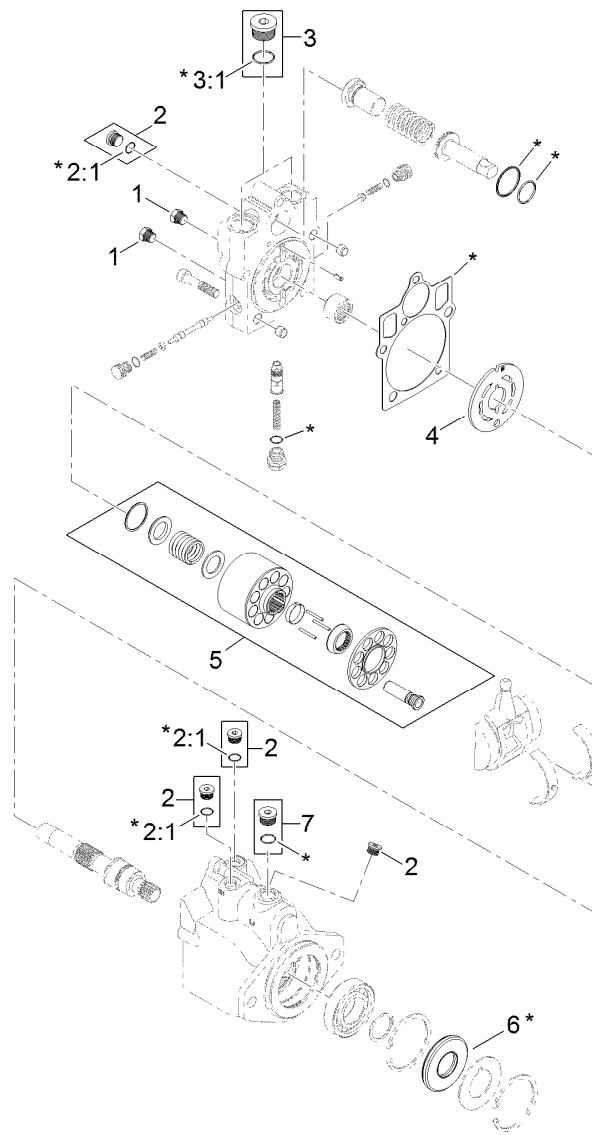
Axle Case Assembly Rear Axle Assembly No. 110-4750

| <i>Ref.</i> | <i>Part Number</i> | <i>Qty.</i> | <i>Description</i> |
|-------------|--------------------|-------------|-----------------------|
| 1 | 110-4751 | 2 | Case-Axle |
| 2 | 99-7535 | 2 | Plug |
| 3 | 99-7536 | 2 | Washer-Seal |
| 4 | 95-7527 | 2 | Gear-Bevel, 17 Tooth |
| 5 | 99-7532 | 2 | Bearing-Roller, Taper |
| 6 | 100-2560 | 2 | Cover |
| 7 | 106-1070 | 2 | O-Ring |
| 8 | 99-7589 | 2 | Plug |
| 9 | 99-7590 | 2 | Washer-Seal |
| 10 | 100-2562 | 8 | Bolt |
| 11 | 106-1102 | 2 | Bolt-Stop |
| 12 | 106-1103 | 2 | Nut |



Axle Assembly Rear Axle Assembly No. 110-4750

| <i>Ref.</i> | <i>Part Number</i> | <i>Qty.</i> | <i>Description</i> |
|-------------|--------------------|-------------|----------------------|
| 1 | 95-7522 | 2 | Axle |
| 2 | 99-7564 | 2 | Seal-Oil |
| 3 | 95-7544 | 4 | Clip |
| 4 | 95-7523 | 2 | Spacer |
| 5 | 99-7555 | 2 | Shim 0.3 |
| 5 | 99-7556 | 2 | Shim 0.2 |
| 5 | 99-7557 | 2 | Shim 0.5 |
| 6 | 95-7524 | 2 | Gear-Bevel, 29 Tooth |
| 7 | 99-7534 | 2 | Bearing-Ball |
| 8 | 95-7521 | 2 | Cover-Axle |
| 9 | 106-1071 | 2 | O-Ring |
| 10 | 99-7561 | 2 | Bearing-Ball |
| 11 | 99-7539 | 2 | Clip |
| 12 | 99-7596 | 12 | Bolt |
| 13 | 99-7563 | 10 | Stud |

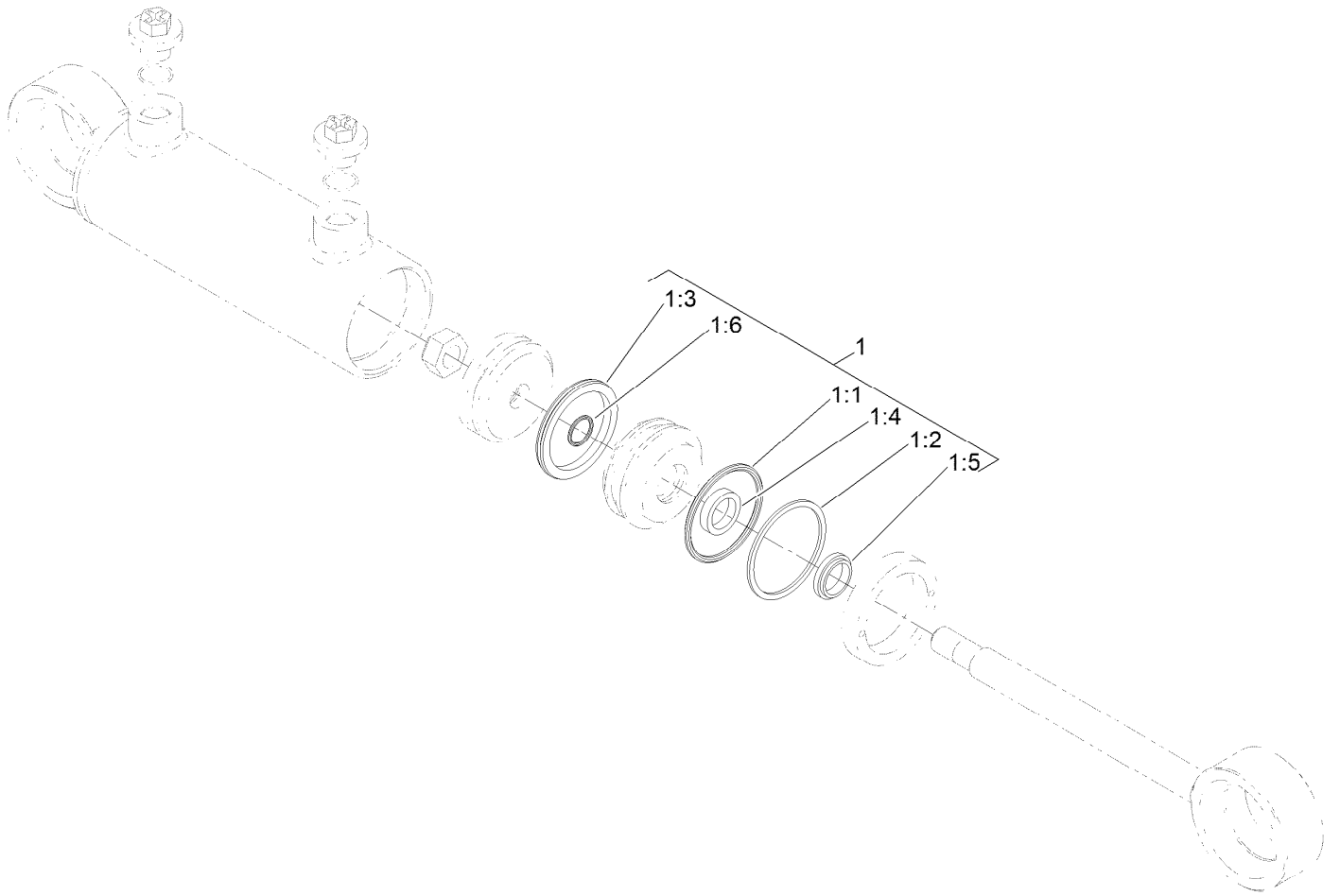


8 = all items with * are included in overhaul seal kit

Hydraulic Motor Assembly No. 120-8814

| Ref. | Part Number | Qty. | Description |
|------|-------------|------|------------------------|
| 1 | 92-1352 | 2 | Plug |
| 2 | 69-3080 | 5 | Plug |
| 2:1 | | 1 | O-Ring ● |
| 3 | 69-3130 | 2 | Plug |
| 3:1 | | 1 | O-Ring ● |
| 4 | 121-1734 | 1 | Plate-Valve |
| 5 | 110-6472 | 1 | Cylinder Block Kit ASM |
| 6 | 69-3190 | 1 | Seal-Lip |
| 7 | 67-9090 | 1 | Plug |
| 8 | 121-1736 | 1 | Overhaul Seal Kit |

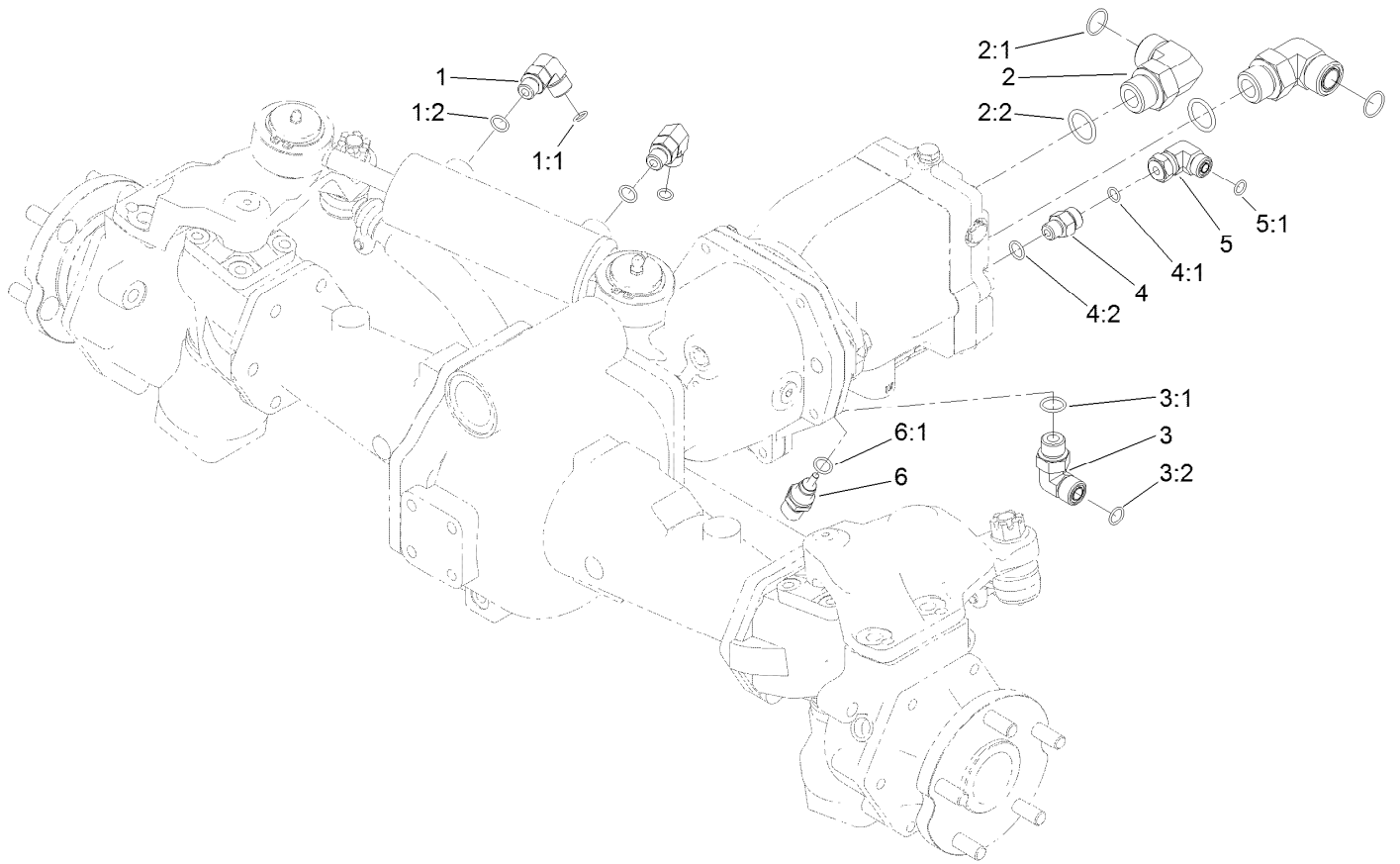
● Not serviced separately



Steering Cylinder Assembly No. 121-1534

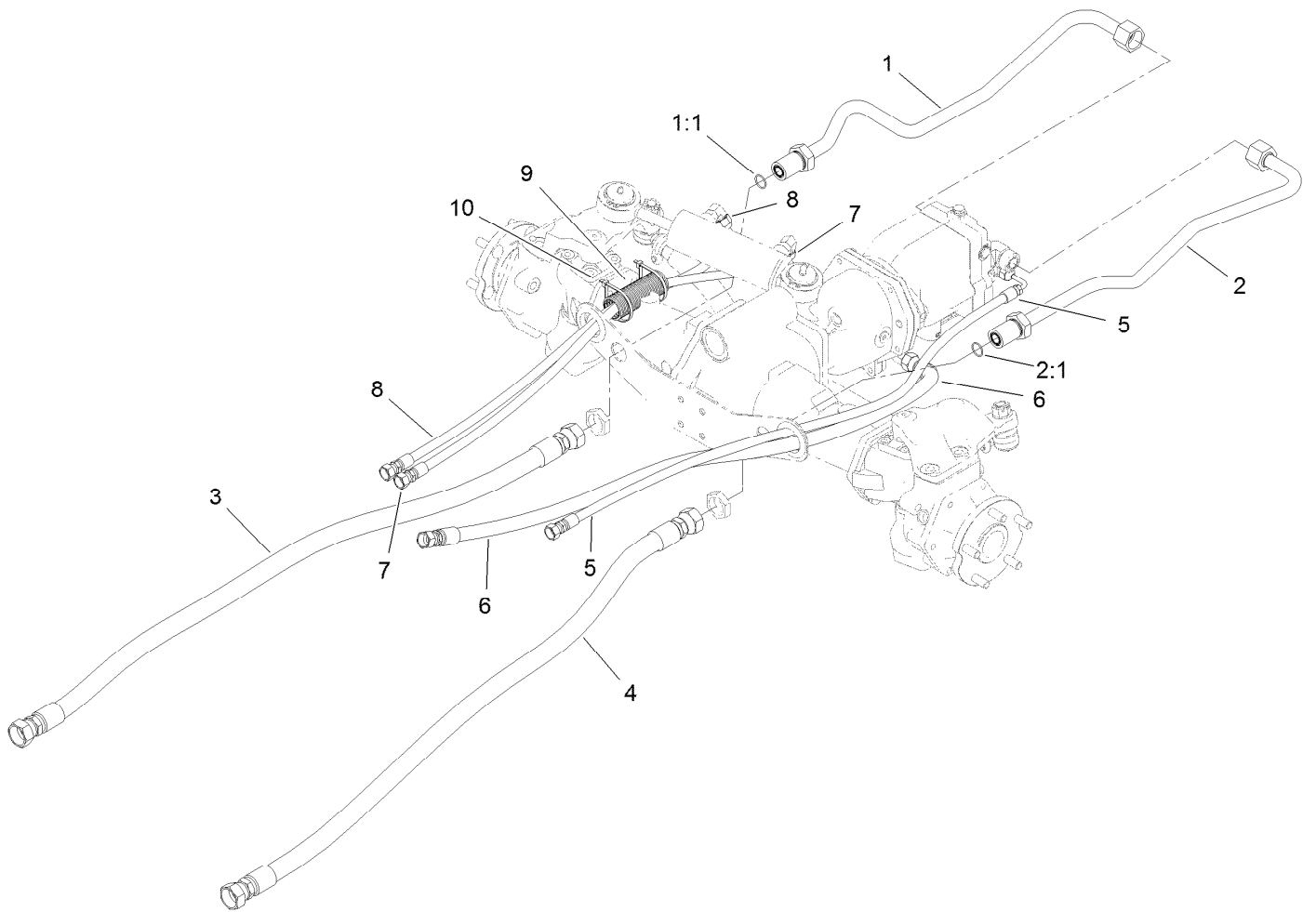
| <i>Ref.</i> | <i>Part Number</i> | <i>Qty.</i> | <i>Description</i> |
|-------------|--------------------|-------------|--------------------|
| 1 | 125-4302 | 1 | Seal Kit |
| 1:1 | | 1 | O-Ring ● |
| 1:2 | | 1 | Backup ● |
| 1:3 | | 1 | Bp Seal ● |
| 1:4 | | 1 | Bt Seal ● |
| 1:5 | | 1 | Dust Seal ● |
| 1:6 | | 1 | O-Ring ● |

● Not serviced separately



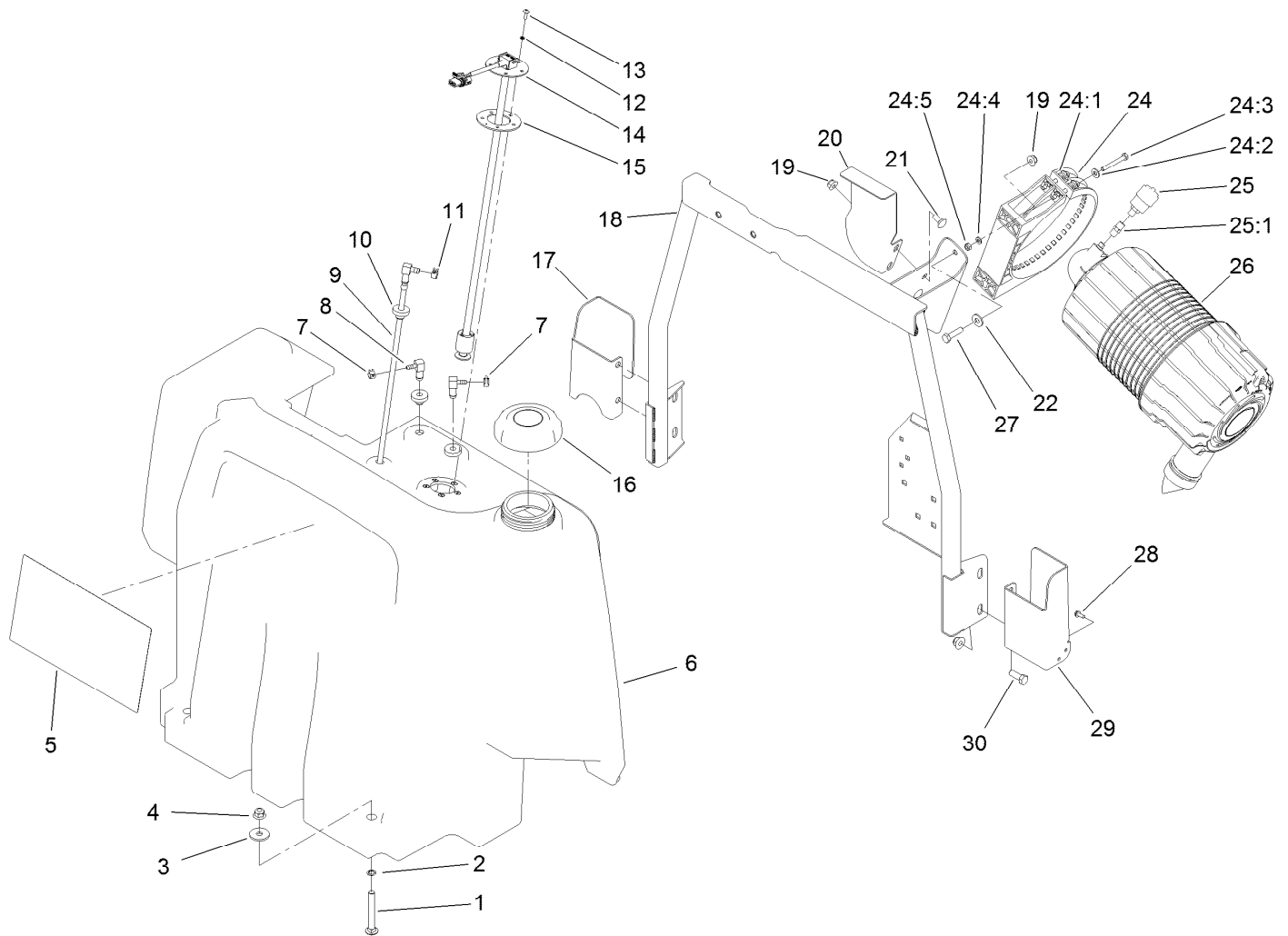
Hydraulic Fitting Assembly

| <i>Ref.</i> | <i>Part Number</i> | <i>Qty.</i> | <i>Description</i> | <i>Ref.</i> | <i>Part Number</i> | <i>Qty.</i> | <i>Description</i> |
|-------------|--------------------|-------------|-----------------------|-------------|--------------------|-------------|--------------------|
| 1 | 340-77 | 2 | Fitting-Elbow, 90 DEG | 3:2 | 237-30 | 1 | O-Ring |
| 1:1 | 237-22 | 1 | O-Ring | 4 | 340-2 | 1 | Fitting-Straight |
| 1:2 | 237-42 | 1 | O-Ring | 4:1 | 237-22 | 1 | O-Ring |
| 2 | 340-142 | 2 | Fitting-Elbow, 90 DEG | 4:2 | 237-42 | 1 | O-Ring |
| 2:1 | 237-58 | 1 | O-Ring | 5 | 340-159 | 1 | Elbow-90 |
| 2:2 | 237-81 | 1 | O-Ring | 5:1 | 237-22 | 2 | O-Ring |
| 3 | 340-98 | 1 | Fitting-Elbow, 90 DEG | 6 | 110-8829 | 1 | Sender-Temperature |
| 3:1 | 237-79 | 1 | O-Ring | 6:1 | 237-42 | 1 | O-Ring |
| 3:2 | | | | | | | |



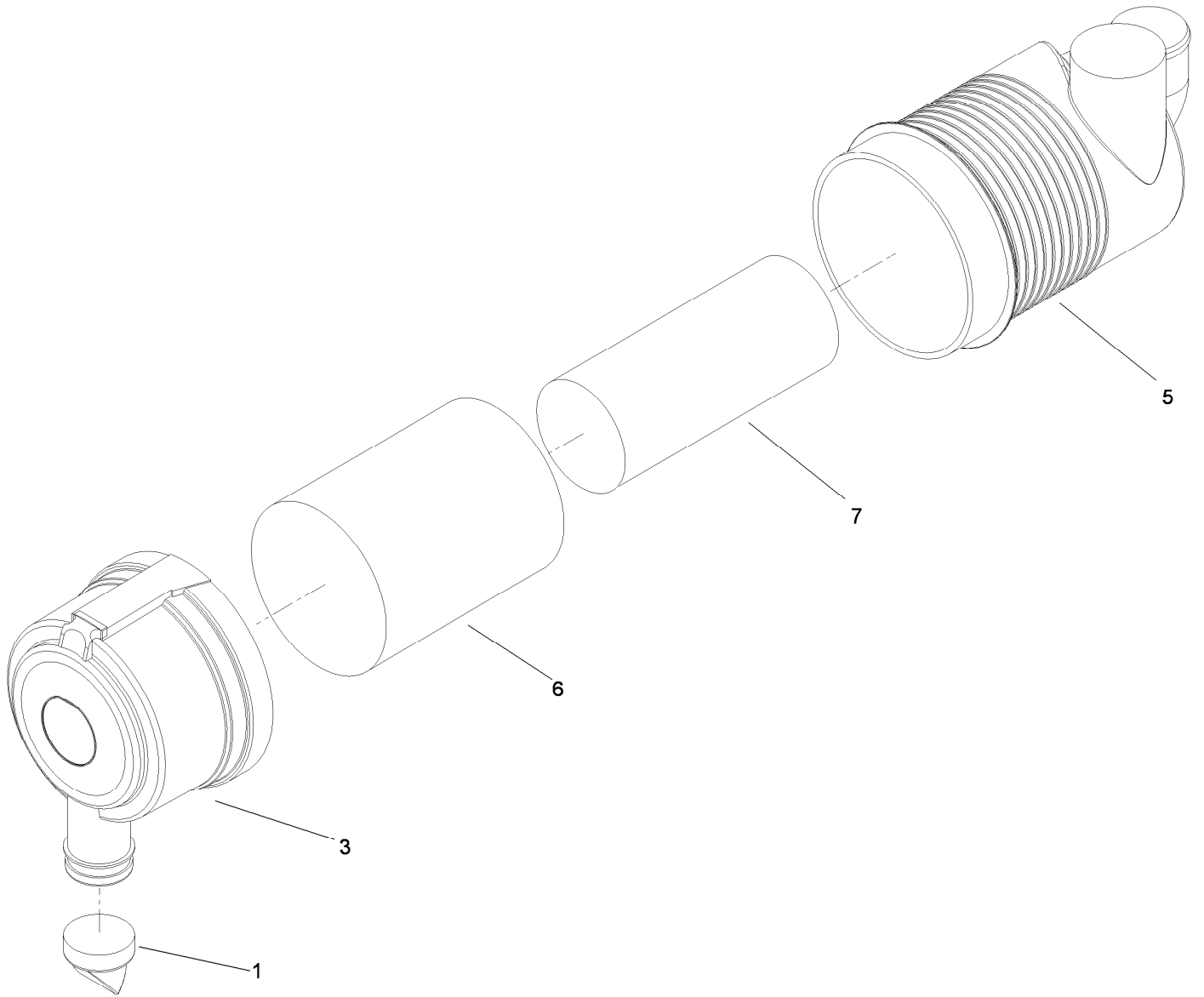
Hose and Tube Routing Assembly

| <i>Ref.</i> | <i>Part Number</i> | <i>Qty.</i> | <i>Description</i> |
|-------------|--------------------|-------------|--------------------|
| 1 | 120-9067 | 1 | HYD Tube ASM |
| 1:1 | 237-58 | 1 | O-Ring |
| 2 | 120-9068 | 1 | Tube ASM |
| 2:1 | 237-58 | 1 | O-Ring |
| 3 | 121-1502 | 1 | Hose-HYD |
| 4 | 114-0024 | 1 | Hose-HYD |
| 5 | 121-1459 | 1 | Hose-HYD |
| 6 | 121-1458 | 1 | Hose-HYD |
| 7 | 121-1500 | 1 | Hose-HYD |
| 8 | 121-1501 | 1 | Hose-HYD |
| 9 | 121-1544 | 2 | Cover-Hose |
| 10 | 3290-379 | 4 | Tie-Cable |



Fuel Tank and Air Cleaner Assembly

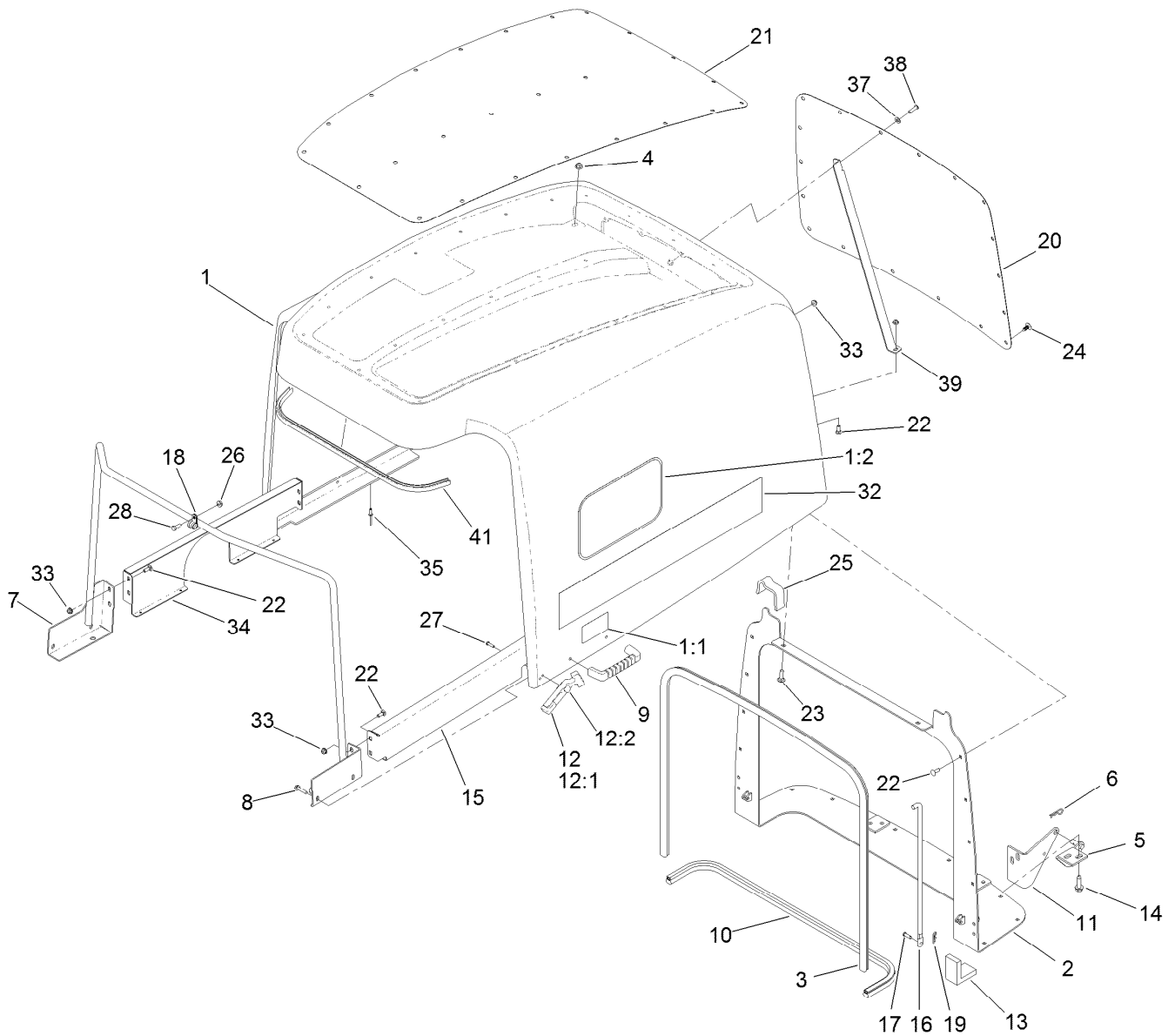
| Ref. | Part Number | Qty. | Description | Ref. | Part Number | Qty. | Description |
|------|-------------|------|-----------------------|------|-------------|------|--------------------|
| 1 | 3231-10 | 2 | Screw-CARR | 19 | 104-8300 | 4 | Nut-HF, NI |
| 2 | 32151-72 | 2 | Ring-Retaining | 20 | 120-4193-03 | 1 | Bracket-Fuel Tank |
| 3 | 63-8410 | 2 | Washer | 21 | 3230-1 | 2 | Bolt-CARR |
| 4 | 104-8301 | 6 | Nut-HF, NI | 22 | 3256-3 | 2 | Washer-Flat |
| 5 | 130-6043 | 1 | Decal-Service | 24 | 99-5414 | 1 | Strap-Cleaner, Air |
| 6 | 120-4195 | 1 | Tank-Fuel | 24:1 | 108-1512 | 2 | Spring |
| 7 | 2412-98 | 2 | Clamp-Hose | 24:2 | 3256-22 | 2 | Washer-Flat |
| 8 | 104-5228 | 2 | Fitting-Elbow, 90 DEG | 24:3 | 33113-050 | 2 | Screw-HH |
| 9 | 120-8908 | 1 | Pipe-Stand | 24:4 | 33093-00 | 2 | Washer-Flat |
| 10 | 46-6560 | 3 | Bushing | 24:5 | 33023-00 | 2 | Nut-Lock |
| 11 | 92-2379 | 1 | Clamp-Hose | 25 | 104-3563 | 1 | Indicator |
| 12 | 3253-15 | 5 | Washer-Lock | 25:1 | 94-1416 | 1 | Adapter-Indicator |
| 13 | 32122-24 | 5 | Screw-PTH | 26 | 99-5410 | 1 | Air Cleaner ASM |
| 14 | 121-1688 | 1 | Gauge-Fuel | 27 | 322-6 | 2 | Screw-HH |
| 15 | 121-1707 | 1 | Gasket-Fuel, Viton | 28 | 32144-1 | 4 | Screw-Tapitite |
| 16 | 119-8266 | 1 | Cap-Fuel (Biodiesel) | 29 | 121-1513-03 | 1 | Bracket-Latch, LH |
| 17 | 121-1514-03 | 1 | Bracket-Latch, RH | 30 | 323-6 | 4 | Screw-HH |
| 18 | 120-4190-03 | 1 | Support-Tank | | | | |



Air Cleaner Assembly No. 99-5410

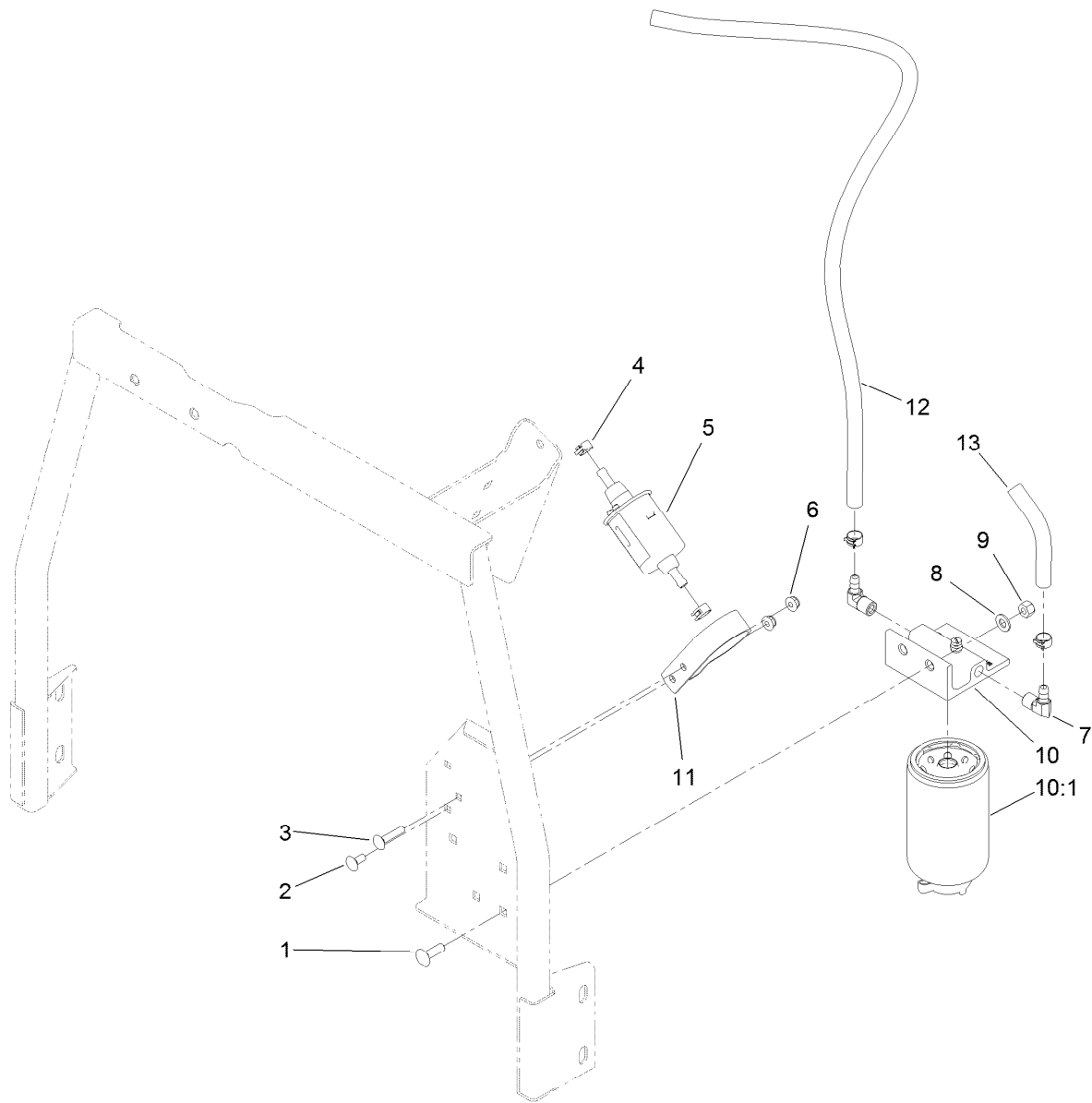
| <i>Ref.</i> | <i>Part Number</i> | <i>Qty.</i> | <i>Description</i> |
|-------------|--------------------|-------------|--------------------|
| 1 | 104-4258 | 1 | Valve-Vacuator |
| 3 | 104-4259 | 1 | Cover |
| 5 | | 1 | Body ASM ● |
| 6 | 108-3814 | 1 | Filter-Air |
| 7 | 108-3816 | 1 | Filter-Air |

● Not serviced separately



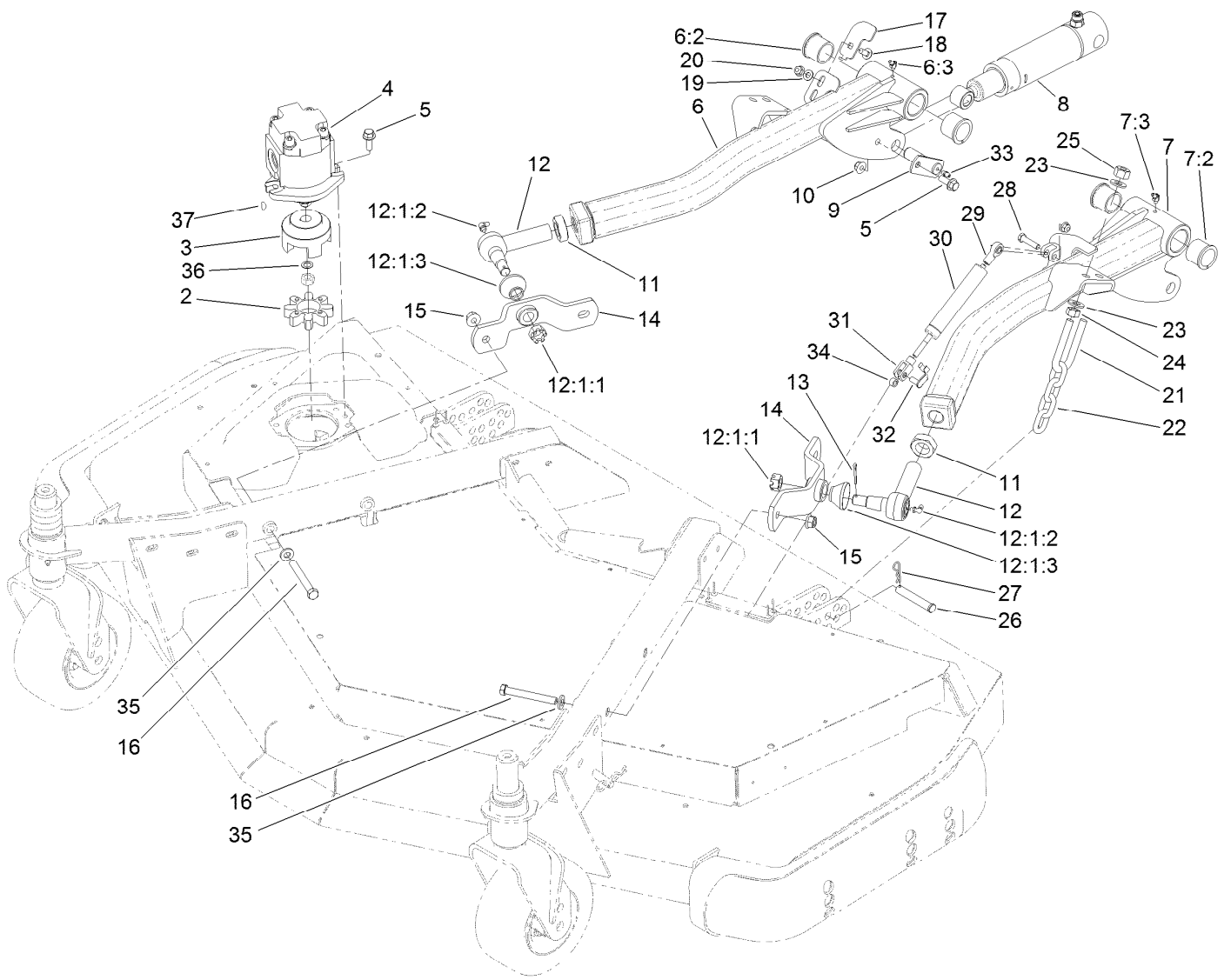
Hood Assembly

| Ref. | Part Number | Qty. | Description | Ref. | Part Number | Qty. | Description |
|------|-------------|------|-------------------------|------|-------------|------|-------------------|
| 1 | 120-9090 | 1 | Hood ASM | 17 | 283-67 | 2 | Pin-Clevis |
| 1:1 | 106-6754 | 2 | Decal-Danger | 18 | 2412-134 | 2 | Clamp-R |
| 1:2 | 66-1210 | 2 | Decal | 19 | 3290-307 | 2 | Pin-Cotter |
| 2 | 120-9099-03 | 1 | Pivot-Hood | 20 | 120-9096-03 | 1 | Screen-Hood, Rear |
| 3 | 114-3823 | 1 | Seal-Bulb | 21 | 120-9097-03 | 1 | Screen-Hood, Top |
| 4 | 104-8300 | 2 | Nut-HF, NI | 22 | 3229-1 | 24 | Screw-CARR |
| 5 | 121-1470 | 2 | Pivot-Screen | 23 | 3230-2 | 2 | Bolt-CARR |
| 6 | 3290-467 | 2 | Pin-Hair | 24 | 117-2382 | 42 | Plug-Plastic |
| 7 | 120-4196-03 | 1 | Support-Hood | 25 | 120-9087 | 2 | Seal-Foam |
| 8 | 46-8092 | 4 | Screw-Plastite | 26 | 32128-33 | 2 | Nut-HF |
| 9 | 65-5100 | 2 | Handle-Door | 27 | 32104-4 | 2 | Screw |
| 10 | 104-3590 | 1 | Seal-Bulb | 28 | 321-4 | 2 | Screw-HH |
| 11 | 104-3588-03 | 2 | Pivot-Screen | 32 | 106-2045 | 2 | Decal-Hood |
| 12 | 94-5626 | 2 | Flexible Draw Latch ASM | 33 | 104-7201 | 25 | Nut-HF |
| 12:1 | 103-4080 | 1 | Latch-Rubber | 34 | 120-8948-03 | 1 | Support-Hood, RH |
| 12:2 | 103-4081 | 1 | Latch-Keeper | 35 | 3269-4 | 8 | Rivet-Pop |
| 13 | 104-3580 | 2 | Seal-Corner, Screen | 37 | 3256-1 | 1 | Washer-Flat |
| 14 | 32144-109 | 8 | Screw-Thd | 38 | 3274-65 | 1 | Screw-HSBH |
| 15 | 120-8949-03 | 1 | Support-Hood, LH | 39 | 127-3707-03 | 1 | Support-Hood |
| 16 | 104-8313 | 2 | Rod-Hood | 41 | 132-6181 | 1 | Trim |



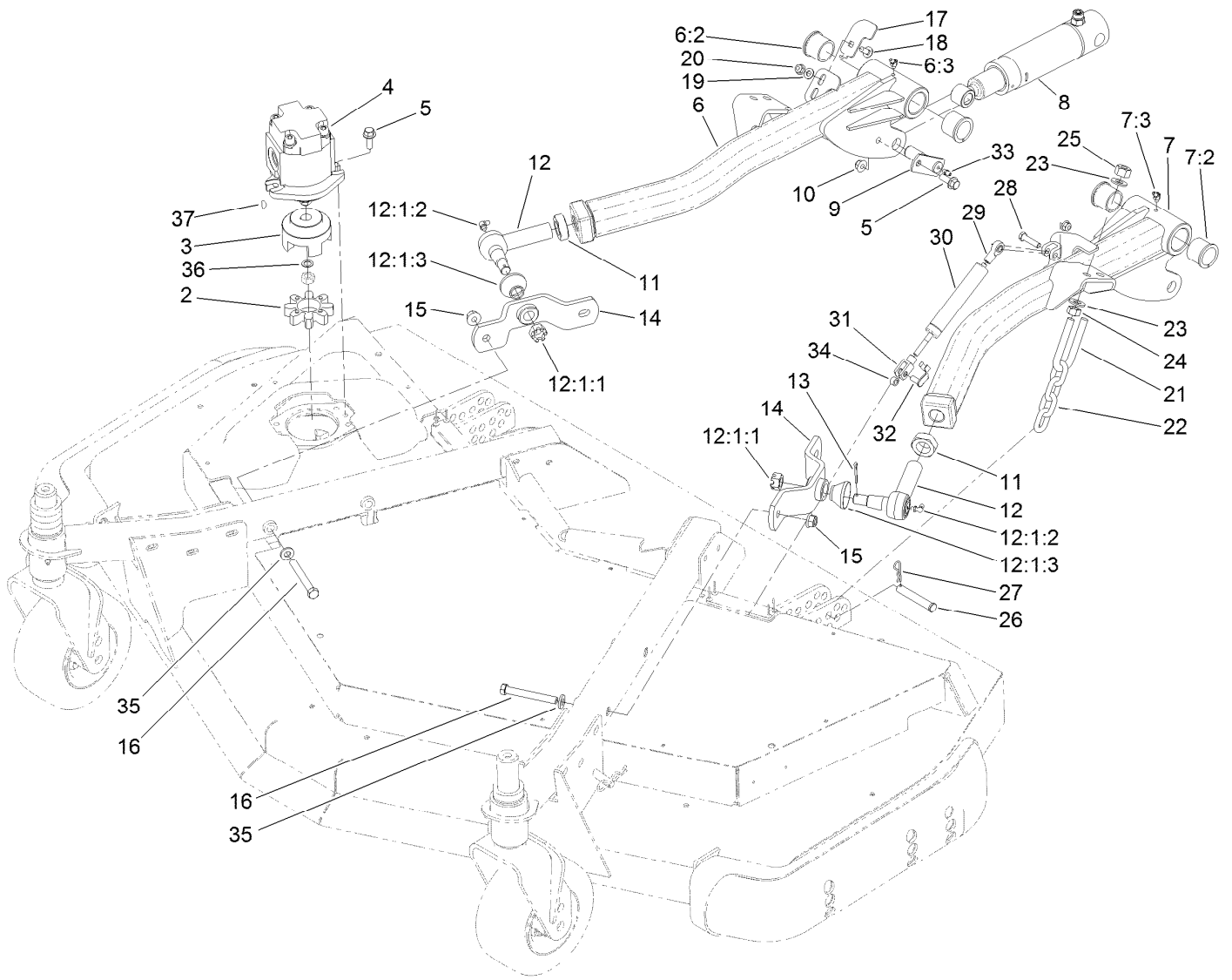
Fuel/Water Separator Assembly

| Ref. | Part Number | Qty. | Description |
|------|-------------|------|--------------------|
| 1 | 3230-22 | 2 | Screw-CARR |
| 2 | 3229-11 | 1 | Screw-CARR |
| 3 | 3229-3 | 1 | Screw-CARR |
| 4 | 92-2379 | 4 | Clamp-Hose |
| 5 | 110-8806 | 1 | Pump-Fuel |
| 6 | 104-7201 | 2 | Nut-HF |
| 7 | 353-781 | 2 | Fitting-HYD, 90 |
| 8 | 3256-23 | 2 | Washer-Plain |
| 9 | 3296-29 | 2 | Nut-Lock, NI |
| 10 | 110-9044 | 1 | Separator-Filter |
| 10:1 | 110-9049 | 1 | Filter-Spin On |
| 11 | 110-8817 | 1 | Bracket-Pump, Fuel |
| 12 | 110-6186 | 1 | Hose-Fuel |
| 13 | 110-3256 | 1 | Hose-Fuel |



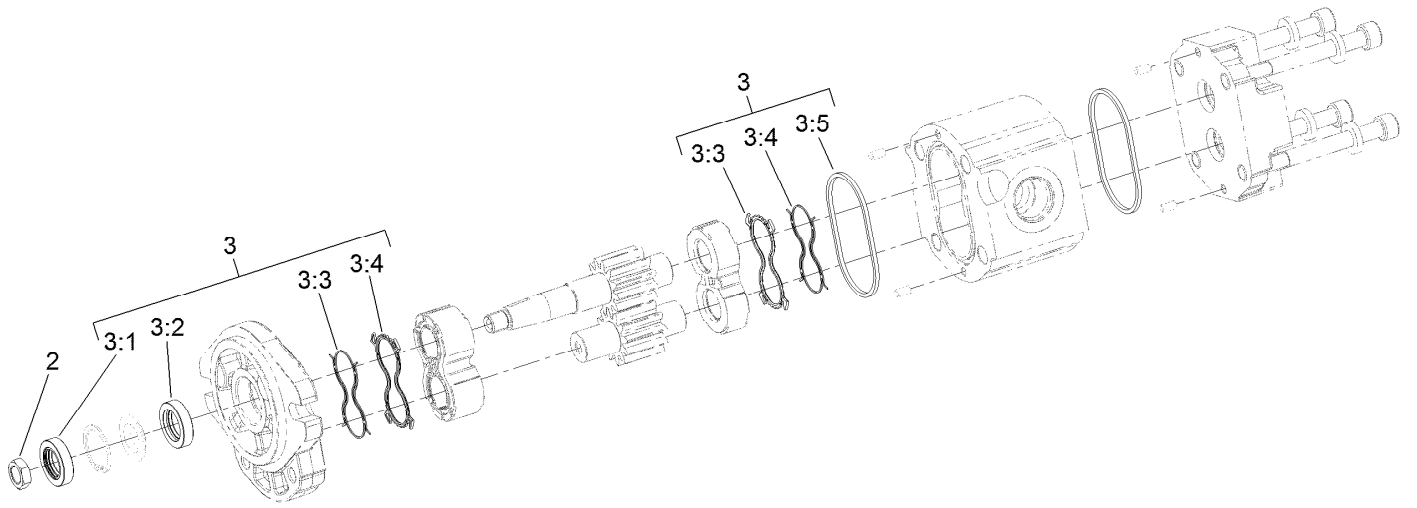
Front Deck Installation Assembly

| Ref. | Part Number | Qty. | Description | Ref. | Part Number | Qty. | Description |
|--------|-------------|------|------------------------|------|-------------|------|--------------------|
| 2 | 104-3542 | 1 | Spider | 16 | 324-19 | 4 | Screw-HH |
| 3 | 104-3541 | 1 | Hub-Spider | 17 | 120-8893 | 1 | Plate-Sensor |
| 4 | 127-3694 | 1 | HYD Motor ASM | 18 | 3230-23 | 1 | Screw-CARR |
| 5 | 3234-42 | 4 | Screw-HHF | 19 | 3256-23 | 1 | Washer-Plain |
| 6 | 120-8878 | 1 | RH Lift Arm ASM | 20 | 104-8300 | 2 | Nut-HF, NI |
| 6:2 | 104-0015 | 2 | Bushing-Flange | 21 | 104-0108 | 2 | U-Bolt |
| 6:3 | 302-11 | 1 | Fitting-Lube, 45 DEG | 22 | 95-6231 | 2 | Chain-HOC |
| 7 | 120-8879 | 1 | LH Lift Arm ASM | 23 | 3256-26 | 8 | Washer-Flat |
| 7:2 | 104-0015 | 2 | Bushing-Flange | 24 | 3217-9 | 4 | Nut-HH |
| 7:3 | 302-11 | 1 | Fitting-Lube, 45 DEG | 25 | 3296-25 | 4 | Nut-Lock, NI |
| 8 | 120-8802 | 2 | HYD Cylinder ASM | 26 | 283-55 | 2 | Pin-Clevis |
| 9 | 100-3020 | 2 | Pin | 27 | 3290-467 | 2 | Pin-Hair |
| 10 | 104-8301 | 2 | Nut-HF, NI | 28 | 322-17 | 1 | Screw-HH |
| 11 | 21-3001 | 2 | Nut-Jam | 29 | 104-8331 | 1 | End-Rod, Spherical |
| 12 | 86-8101-01 | 2 | Joint-Ball, LH | 30 | 105-3249 | 1 | Damper |
| 12:1:1 | 32136-2 | 1 | Nut-SHH | 31 | 115-5455 | 1 | End-Rod, Clevis |
| 12:1:2 | 302-40 | 1 | Fitting-Grease, 90 DEG | 32 | 115-5454 | 1 | Pin-Spring |
| 12:1:3 | 114-2874 | 1 | Seal-Ball Joint | 33 | 302-5 | 2 | Fitting-Grease |
| 13 | 3272-12 | 2 | Pin-Cotter | 34 | 115-2142 | 1 | Spacer |
| 14 | 93-4583-01 | 2 | Mount-Joint, Ball | 35 | 87-7480 | 4 | Washer |
| 15 | 114-8417 | 4 | Nut-HF, NI | | | | |



Front Deck Installation Assembly (continued)

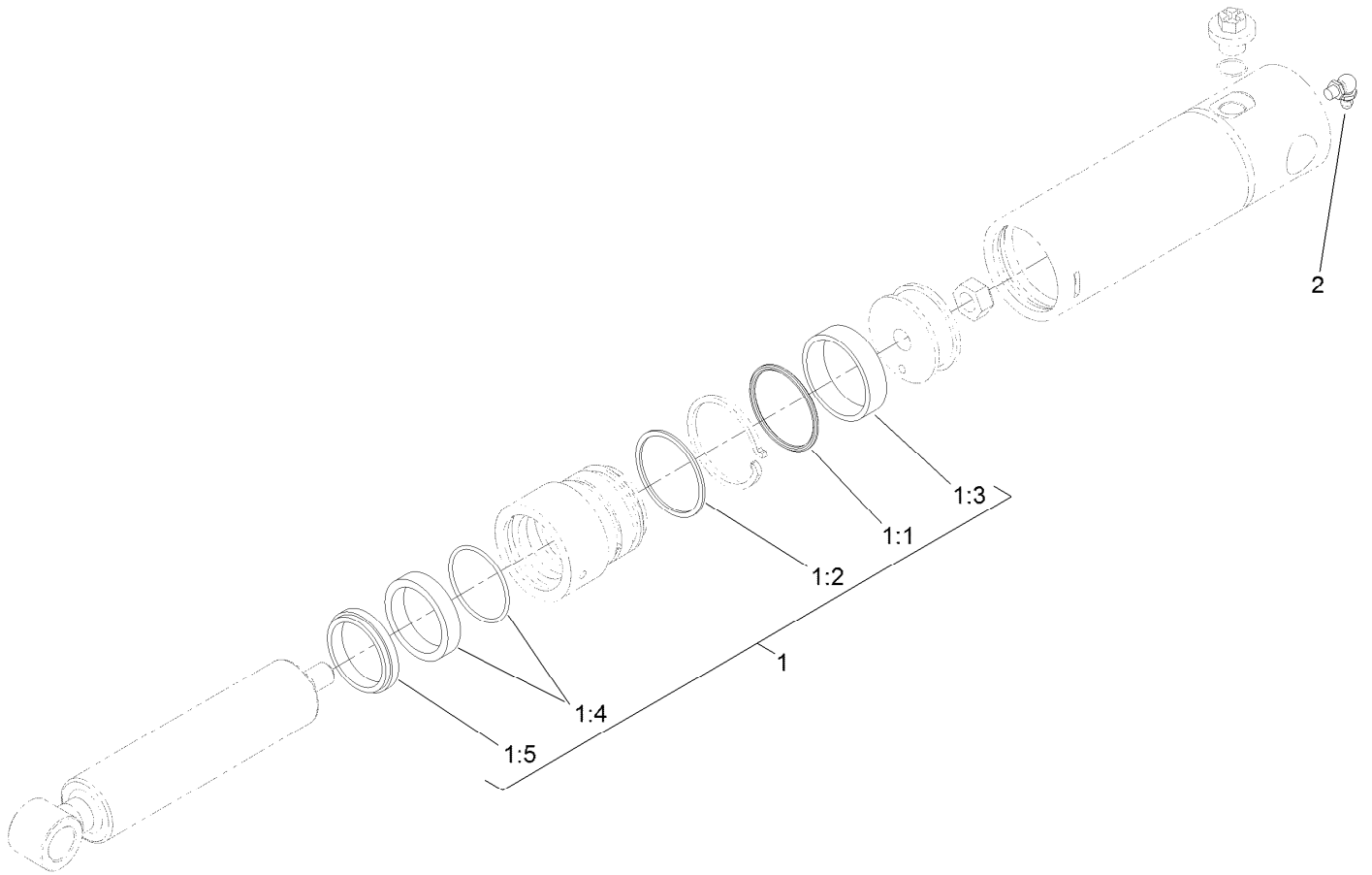
| <i>Ref.</i> | <i>Part Number</i> | <i>Qty.</i> | <i>Description</i> |
|-------------|--------------------|-------------|--------------------|
| 36 | 112-6957 | 1 | Washer-Hardened |
| 37 | 3257-3 | 1 | Key-Woodruff |



Hydraulic Motor Assembly No. 127-3694

| Ref. | Part Number | Qty. | Description |
|------|-------------|------|-------------------------|
| 2 | 110-8815 | 1 | Nut-Hex |
| 3 | 114-5620 | 1 | Seal Kit |
| 3:1 | | 1 | Seal-Shaft ● |
| 3:2 | | 1 | Seal-Shaft ● |
| 3:3 | | 2 | Seal-Anti Extrusion ● |
| 3:4 | | 2 | Seal-Plate, Balancing ● |
| 3:5 | | 2 | O Ring-Housing ● |

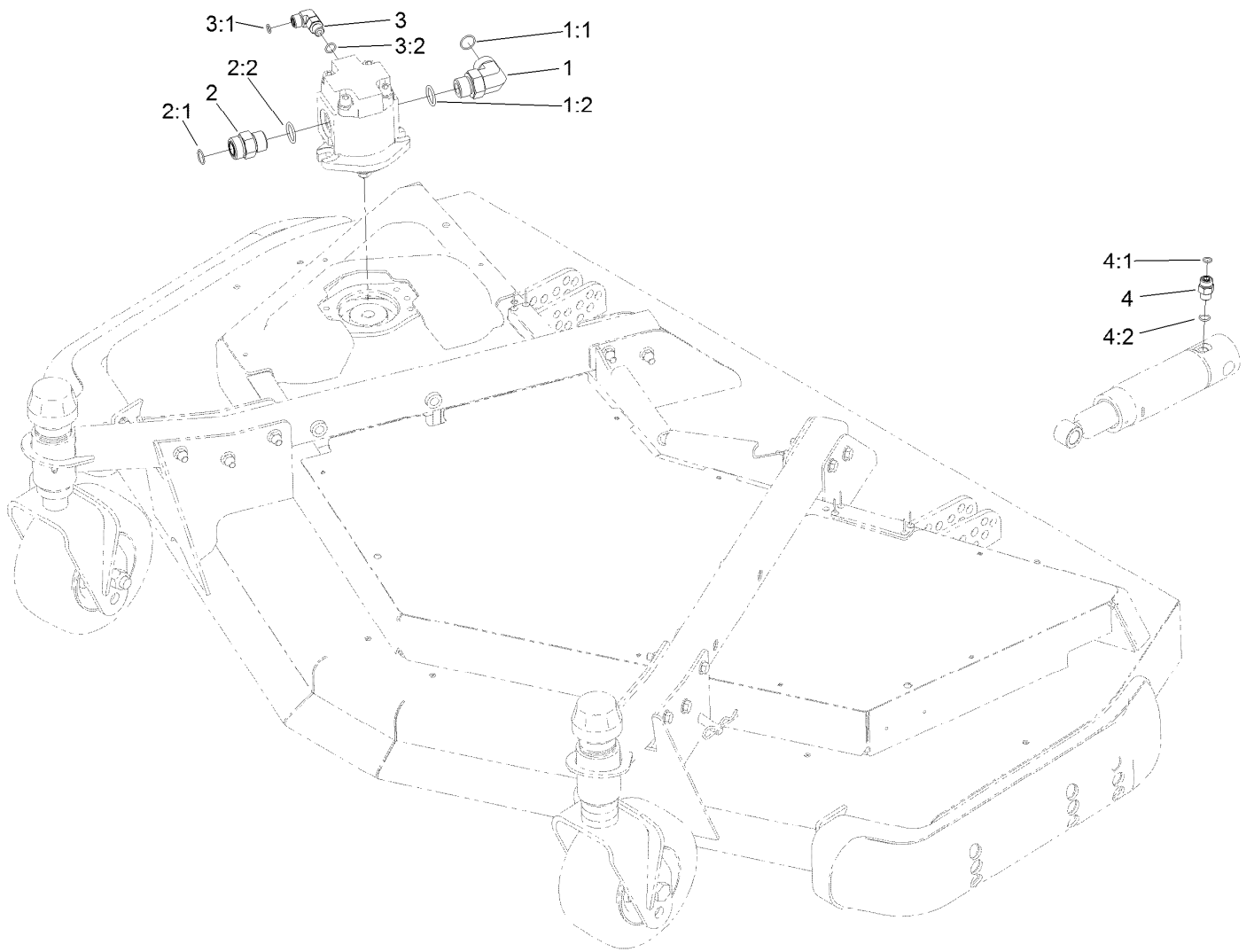
● Not serviced separately



Lift Cylinder Assembly No. 120-8802

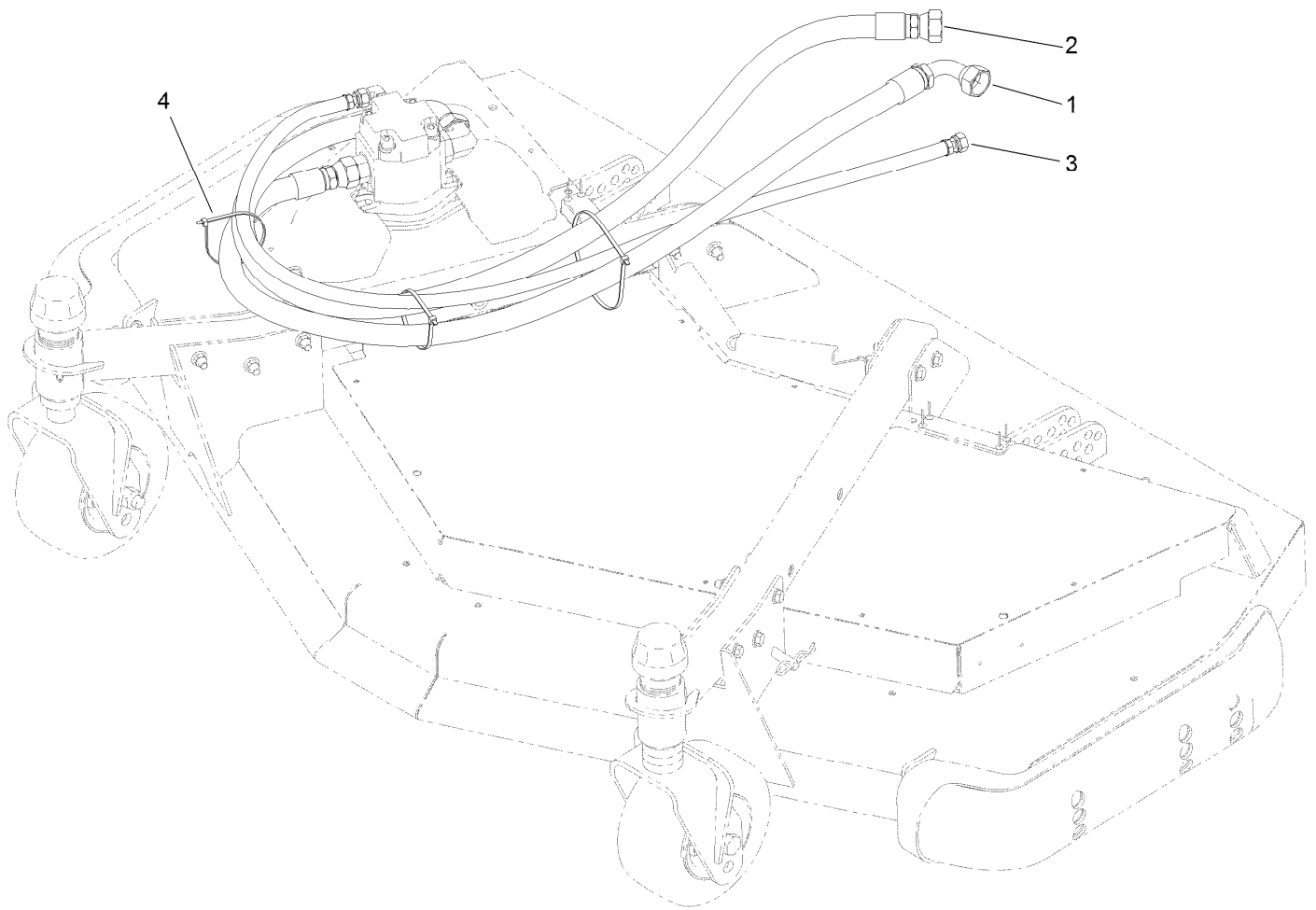
| <i>Ref.</i> | <i>Part Number</i> | <i>Qty.</i> | <i>Description</i> |
|-------------|--------------------|-------------|--------------------|
| 1 | 125-4301 | 1 | Seal Kit |
| 1:1 | | 1 | O-Ring ● |
| 1:2 | | 1 | Backup ● |
| 1:3 | | 1 | Wear Ring ● |
| 1:4 | | 1 | Bds Seal ● |
| 1:5 | | 1 | Dust Seal ● |
| 2 | 302-60 | 1 | Fitting-Grease |

● Not serviced separately



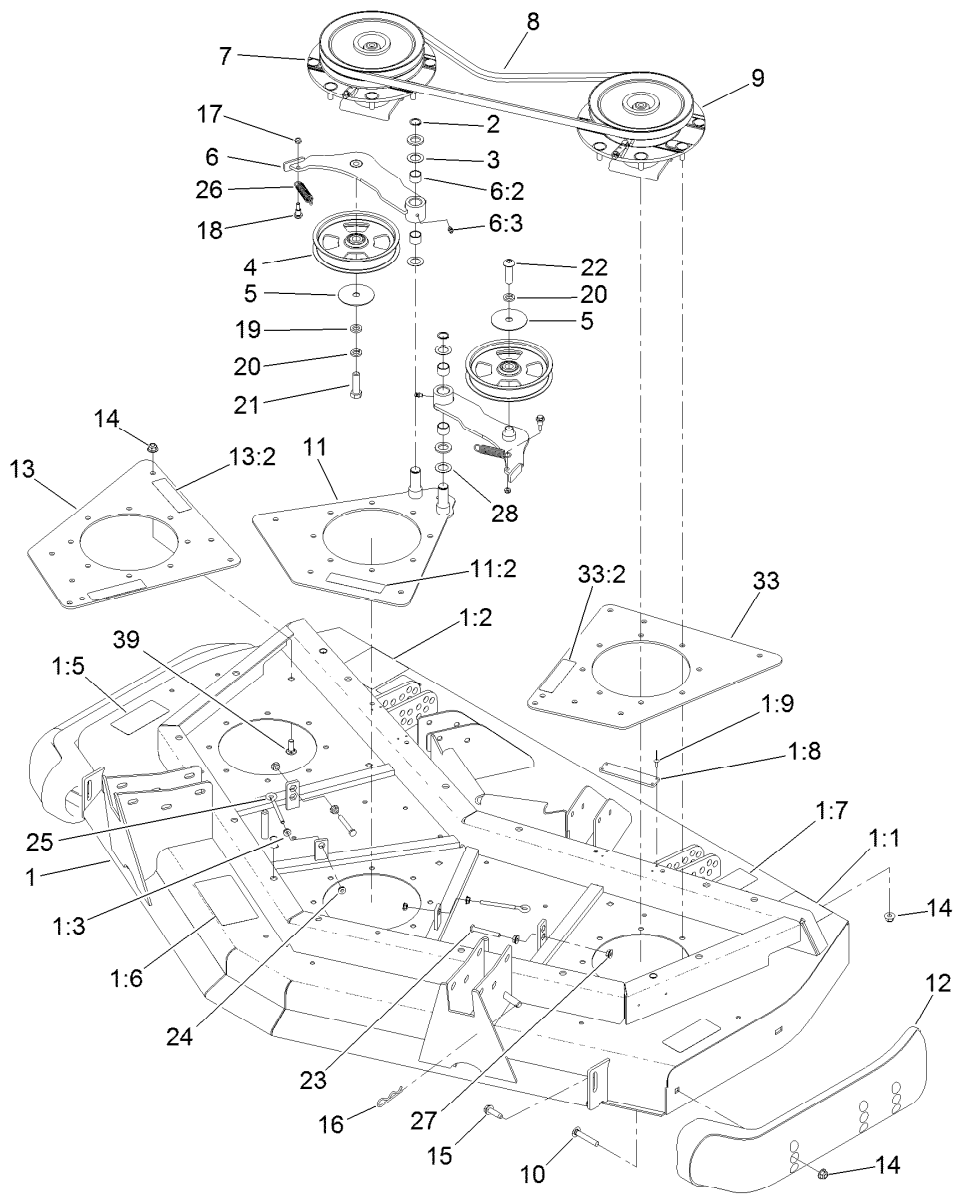
Front Deck Hydraulic Fitting Assembly

| Ref. | Part Number | Qty. | Description |
|------|-------------|------|-----------------------|
| 1 | 340-142 | 1 | Fitting-Elbow, 90 DEG |
| 1:1 | 237-58 | 1 | O-Ring |
| 1:2 | 237-81 | 1 | O-Ring |
| 2 | 340-9 | 1 | Fitting-STR |
| 2:1 | 237-58 | 1 | O-Ring |
| 2:2 | 237-81 | 1 | O-Ring |
| 3 | 340-77 | 1 | Fitting-Elbow, 90 DEG |
| 3:1 | 237-22 | 1 | O-Ring |
| 3:2 | 237-42 | 1 | O-Ring |
| 4 | 340-2 | 2 | Fitting-Straight |
| 4:1 | 237-22 | 1 | O-Ring |
| 4:2 | 237-42 | 1 | O-Ring |



Front Deck Hose Routing Assembly

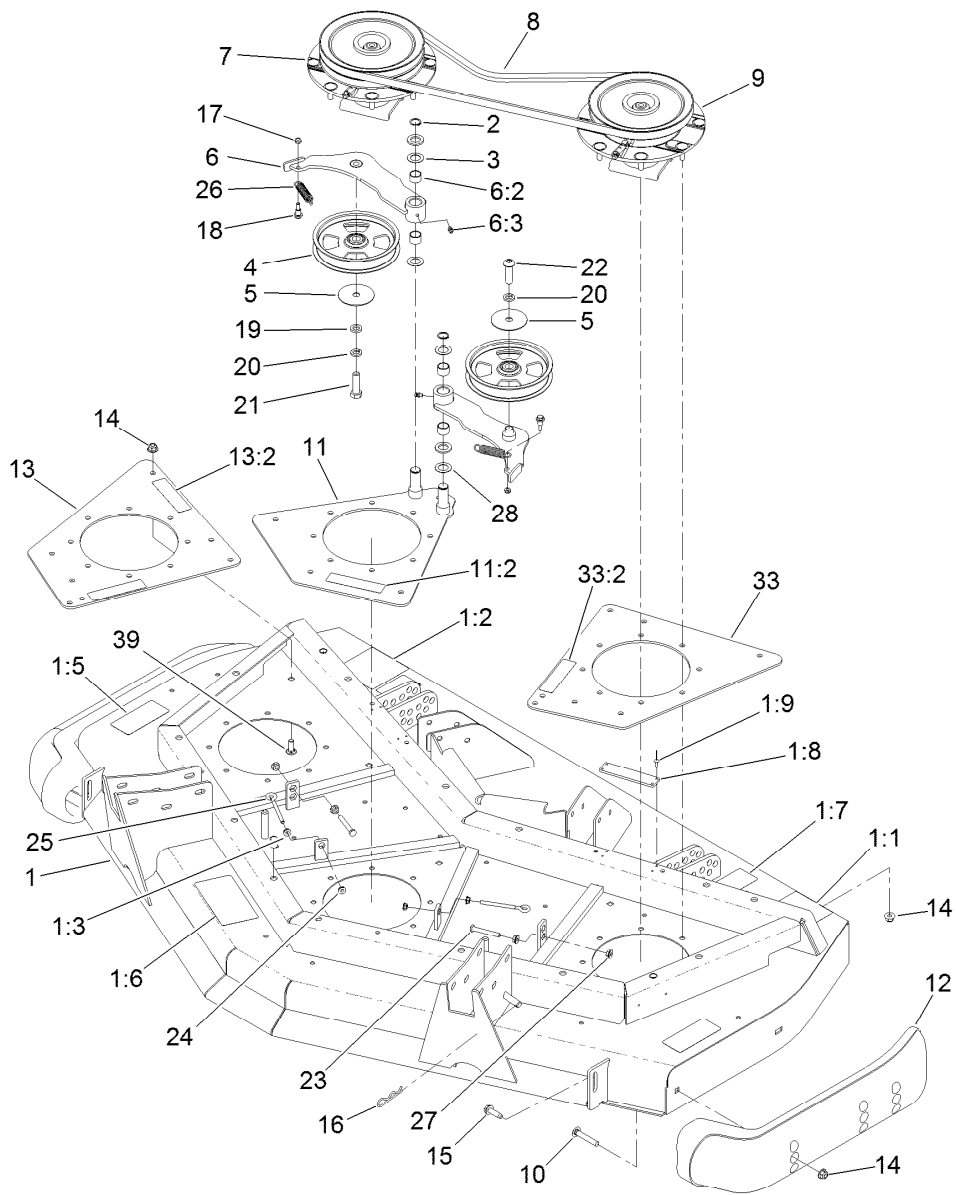
| <i>Ref.</i> | <i>Part Number</i> | <i>Qty.</i> | <i>Description</i> |
|-------------|--------------------|-------------|--------------------|
| 1 | 120-8987 | 1 | Hose-HYD |
| 2 | 120-8988 | 1 | Hose-HYD |
| 3 | 120-8989 | 1 | Hose-HYD |
| 4 | 3290-379 | 3 | Tie-Cable |



Front Deck Idler and Skid Assembly

| Ref. | Part Number | Qty. | Description |
|------|-------------|------|-----------------------------|
| 1 | 131-1234 | 1 | Front Deck ASM |
| 1:1 | 120-6604 | 2 | Decal-Danger |
| 1:2 | 100-5624 | 1 | Decal-HOC, RH |
| 1:3 | 32148-9 | 3 | Nut-Clinch |
| 1:5 | 93-7818 | 2 | Decal-Torque, Blade Bolt |
| 1:6 | 100-5622 | 1 | Decal-HOC |
| 1:7 | 104-3578 | 1 | Decal-HOC, LH |
| 1:8 | 105-0786 | 2 | Pad-Plastic |
| 1:9 | 3269-8 | 8 | Rivet-Blind |
| 2 | 32120-72 | 2 | Ring-Snap |
| 3 | 3-6498 | 4 | Washer-Thrust |
| 4 | 132-9421 | 2 | Pulley-Idler, Flat |
| 5 | 100-3102 | 2 | Washer-Flat |
| 6 | 110-6128 | 2 | Idler Arm ASM |
| 6:2 | 256-76 | 2 | Bushing |
| 6:3 | 302-5 | 1 | Fitting-Grease |
| 7 | 119-4548 | 1 | Double Driven Spindle ASM |
| 8 | 108-8076 | 2 | V-Belt, Deck |
| 9 | 119-4549 | 1 | High-Driven Spindle ASM |
| 10 | 3231-33 | 4 | Screw-CARR |
| 11 | 131-1237 | 1 | Plate-Spindle, Front Center |

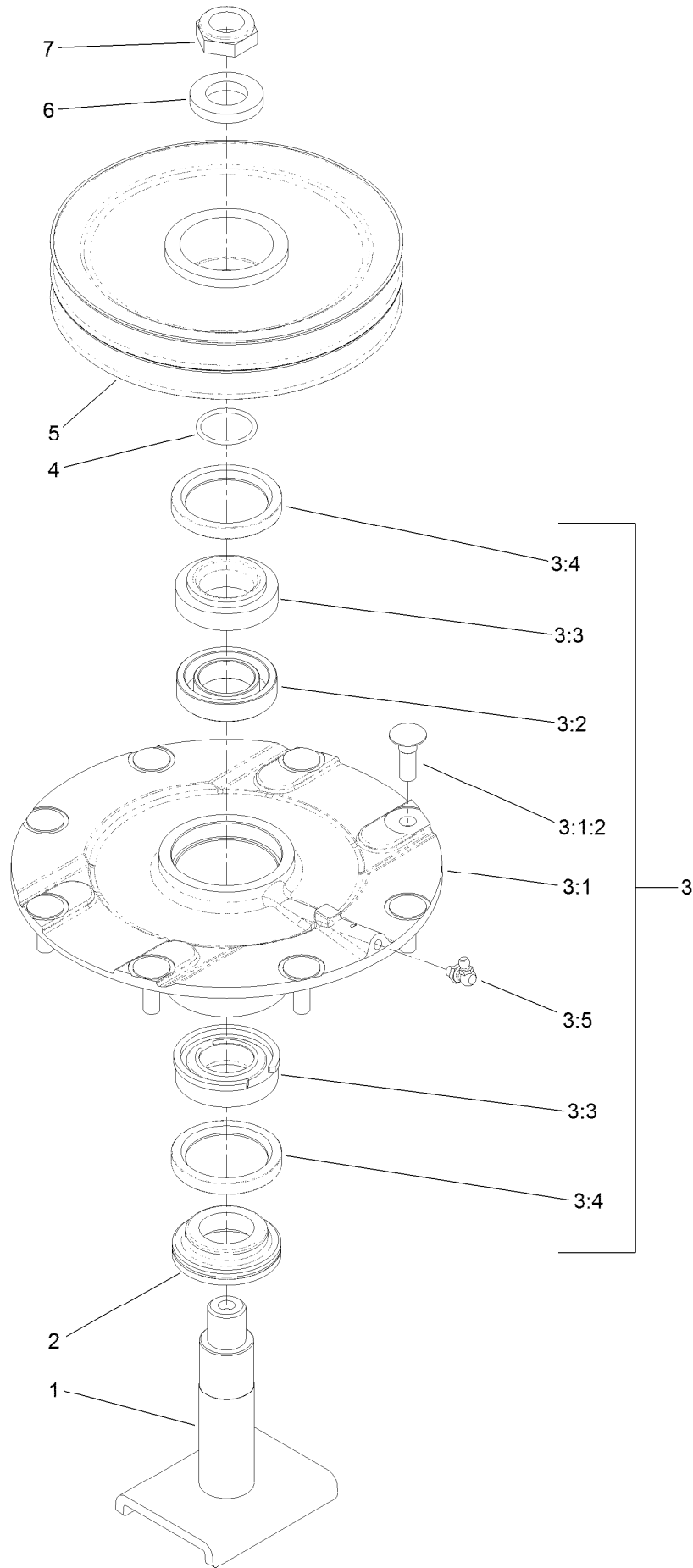
| Ref. | Part Number | Qty. | Description |
|------|-------------|------|----------------------------|
| 11:2 | 100-6578 | 1 | Decal-Danger |
| 12 | 112-1479 | 2 | Skid-Bumper, Deck |
| 13 | 131-1238 | 1 | Plate-Spindle, Front Right |
| 13:2 | 100-6578 | 2 | Decal-Danger |
| 14 | 104-8301 | 36 | Nut-HF, NI |
| 15 | 9136144 | 2 | Screw-HWHTF |
| 16 | 3290-355 | 1 | Pin-Hair |
| 17 | 3296-56 | 2 | Nut-Lock, NI |
| 18 | 104-0858 | 2 | Bolt-Shoulder |
| 19 | 9202424 | 1 | Spacer |
| 20 | 3253-7 | 2 | Washer-Lock |
| 21 | 325-7 | 1 | Screw-HH |
| 22 | 108-1993 | 1 | Screw-HSBH |
| 23 | 9114524 | 2 | Bolt-TAP, HH |
| 24 | 32128-14 | 4 | Nut-HF |
| 25 | 68-0090 | 2 | Screw-Adjusting |
| 26 | 107938 | 2 | Spring-Extension |
| 27 | 32128-26 | 4 | Nut-Flange |
| 28 | 70-1160 | 2 | Washer |
| 33 | 131-1239 | 1 | Plate-Spindle, Front Left |



Front Deck Idler and Skid Assembly (continued)

| Ref. | Part Number | Qty. | Description |
|------|-------------|------|--------------|
| 33:2 | 100-6578 | 1 | Decal-Danger |
| 39 | 3231-22 | 12 | Screw-CARR |

Double Driven Spindle Assembly No. 119-4548

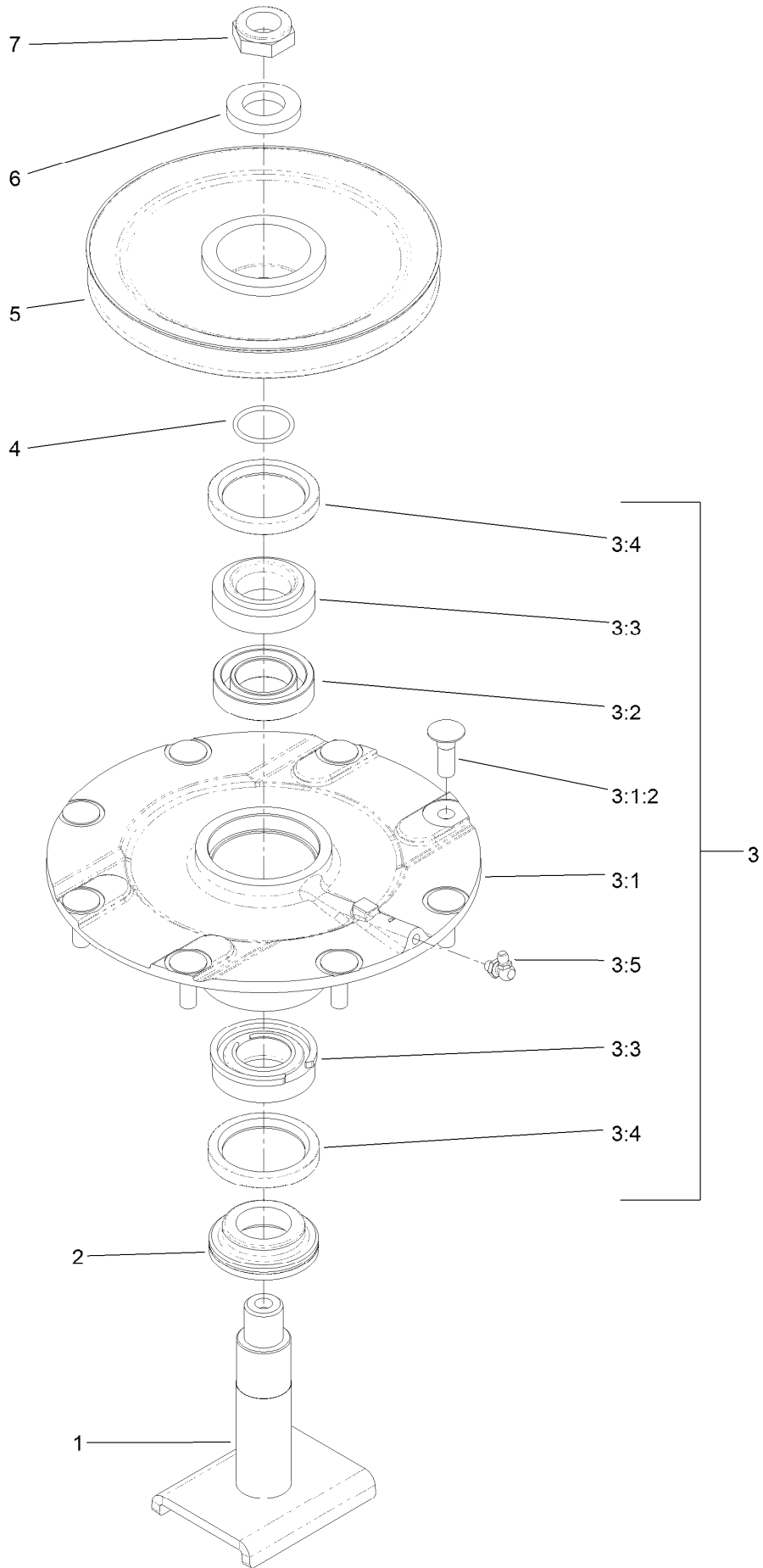


Double Driven Spindle Assembly No. 119-4548 (continued)

| <i>Ref.</i> | <i>Part Number</i> | <i>Qty.</i> | <i>Description</i> | <i>Ref.</i> | <i>Part Number</i> | <i>Qty.</i> | <i>Description</i> |
|-------------|--------------------|-------------|-----------------------|-------------|--------------------|-------------|-----------------------|
| 1 | 104-3554 | 1 | Shaft-Spindle | 3:4 | 253-154 | 2 | Seal-Oil |
| 2 | 69-6950 | 1 | Spacer-Shaft, Spindle | 3:5 | 302-60 | 1 | Fitting-Grease |
| 3 | 119-4775 | 1 | Spindle Housing ASM | 4 | 106-7159 | 1 | O-Ring |
| 3:1 | | 1 | Spindle ASM ● | 5 | 104-3547 | 1 | Pulley-Driven, Double |
| 3:1:2 | 114-8195 | 8 | Bolt-Neck, Ribbed | 6 | 120-5576 | 1 | Washer-Hardened |
| 3:2 | 120-5577 | 1 | Bearing Spacer Set | 7 | 3296-60 | 1 | Nut-Lock, NI |
| 3:3 | 110-8297 | 1 | Bearing ASM | | | | |

● Not serviced separately

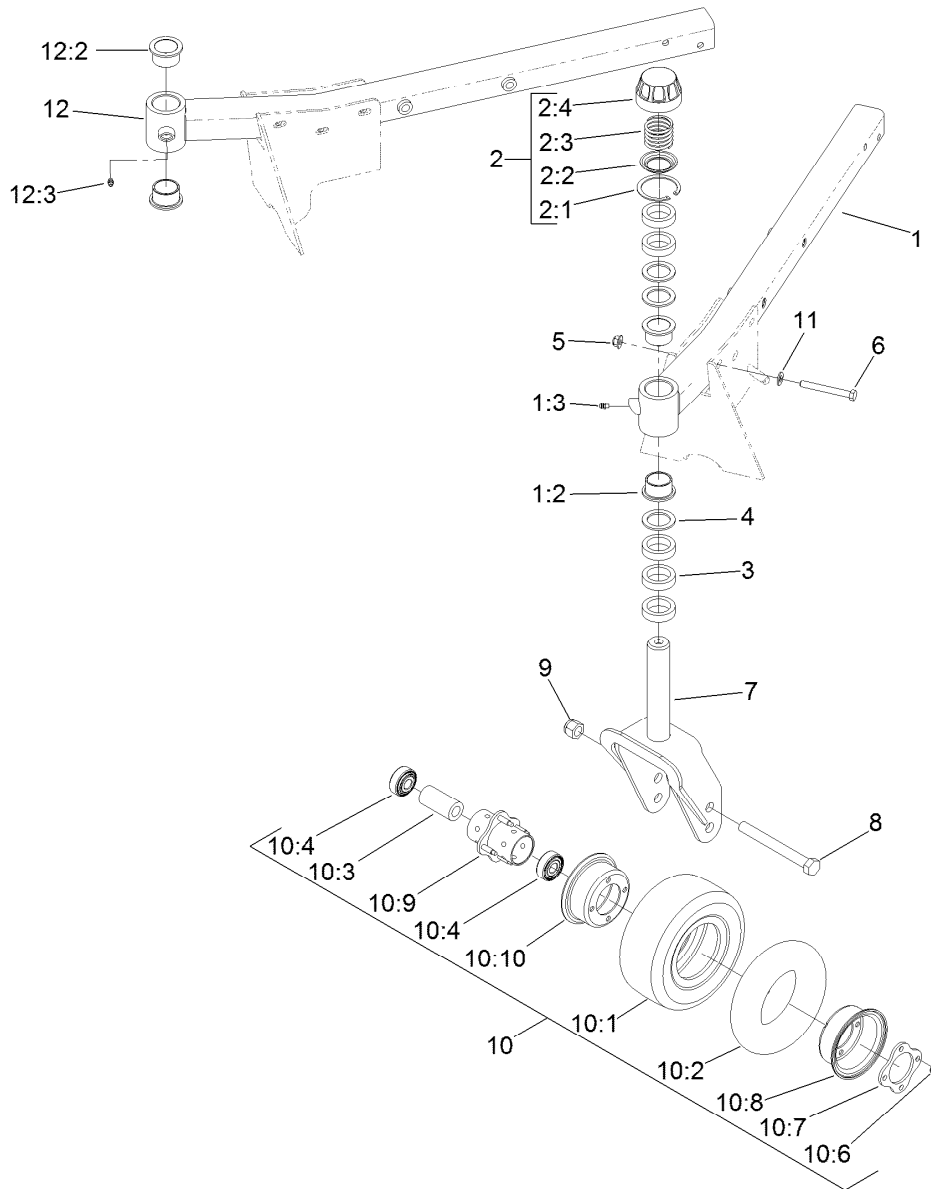
High Driven Spindle Assembly No. 119-4549



High Driven Spindle Assembly No. 119-4549 (continued)

| <i>Ref.</i> | <i>Part Number</i> | <i>Qty.</i> | <i>Description</i> | <i>Ref.</i> | <i>Part Number</i> | <i>Qty.</i> | <i>Description</i> |
|-------------|--------------------|-------------|-----------------------|-------------|--------------------|-------------|---------------------|
| 1 | 104-3554 | 1 | Shaft-Spindle | 3:4 | 253-154 | 2 | Seal-Oil |
| 2 | 69-6950 | 1 | Spacer-Shaft, Spindle | 3:5 | 302-60 | 1 | Fitting-Grease |
| 3 | 119-4775 | 1 | Spindle Housing ASM | 4 | 106-7159 | 1 | O-Ring |
| 3:1 | | 1 | Spindle ASM ● | 5 | 104-3548 | 1 | Pulley-Driven, High |
| 3:1:2 | 114-8195 | 8 | Bolt-Neck, Ribbed | 6 | 120-5576 | 1 | Washer-Hardened |
| 3:2 | 120-5577 | 1 | Bearing Spacer Set | 7 | 3296-60 | 1 | Nut-Lock, NI |
| 3:3 | 110-8297 | 1 | Bearing ASM | | | | |

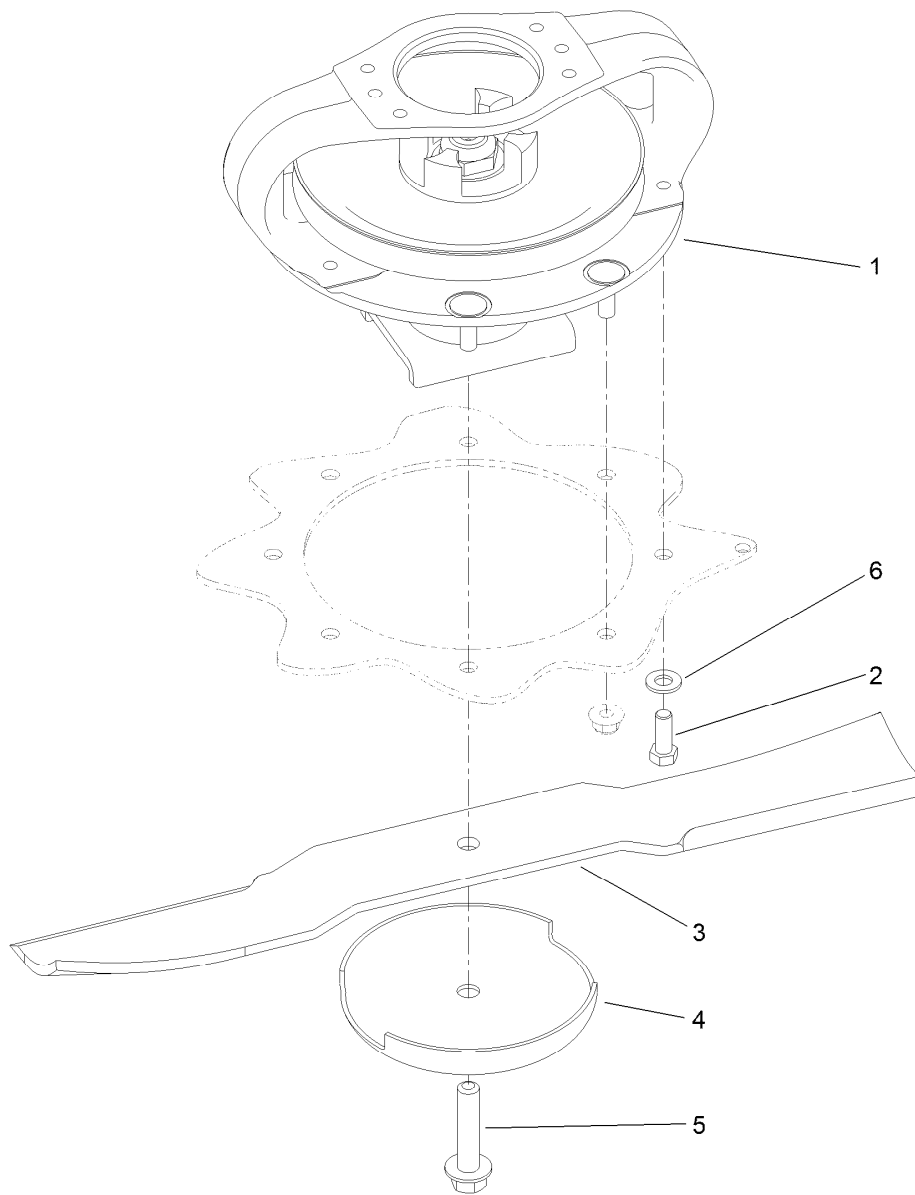
● Not serviced separately



Front Deck Caster Arm and Wheel Assembly

| Ref. | Part Number | Qty. | Description | Ref. | Part Number | Qty. | Description |
|------|-------------|------|--------------------------------|-------|-------------|------|-----------------------|
| 1 | 132-6169 | 1 | LH Caster Arm ASM | 10 | 93-9938 | 2 | Wheel ASM |
| 1:2 | 69-6470 | 2 | Bushing-Caster | 10:1 | 93-9939 | 1 | Tire |
| 1:3 | 302-5 | 1 | Fitting-Grease | 10:2 | 68-8950 | 1 | Tube-Inner (W/Valve) |
| 2 | 92-9727 | 2 | HOC Cap ASM | 10:3 | 93-4241 | 1 | Spacer-Bearing, Inner |
| 2:1 | 92-5581 | 1 | Ring-Retaining | 10:4 | 120-3366 | 2 | Bearing |
| 2:2 | 92-5583 | 1 | Washer-Cap | 10:6 | 32128-16 | 4 | Nut-HHF |
| 2:3 | 92-9726 | 1 | Spring-Compression | 10:7 | 93-4242 | 1 | Plate |
| 2:4 | 92-8861 | 1 | Cap-HOC | 10:8 | 93-4239 | 1 | Rim-Wheel, Half |
| 3 | 69-1510 | 10 | Spacer | 10:9 | 93-5980 | 1 | Hub |
| 4 | 69-6860 | 6 | Washer-Thrust | 10:10 | 95-2741 | 1 | Rim-Wheel, Half |
| 5 | 104-8301 | 10 | Nut-HF, NI | 11 | 3256-24 | 10 | Washer-Flat |
| 6 | 323-20 | 10 | Screw-HH | 12 | 132-6176 | 1 | RH Caster Arm ASM |
| 7 | 130-2736-01 | 2 | Fork-Caster | 12:2 | 69-6470 | 2 | Bushing-Caster |
| 8 | 327-24 | 2 | Screw-HH | 12:3 | 302-5 | 1 | Fitting-Grease |
| 9 | 3296-53 | 2 | Nut-Lock, NI | | | | |
| 10 | 93-5974 | 2 | 8 Inch Foam Filled Wheel ASM ● | | | | |

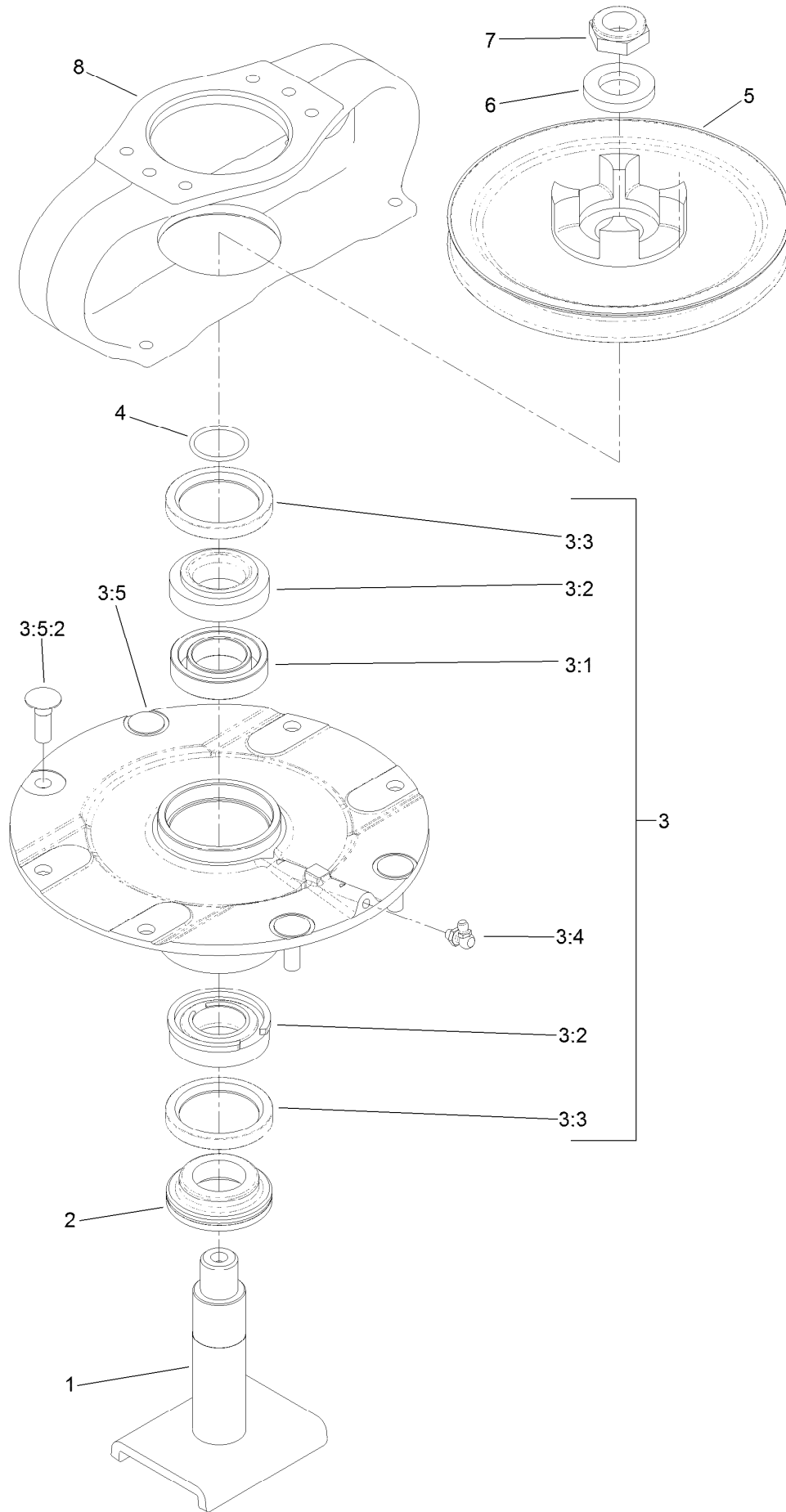
● Optional Equipment



Front Deck Driving Spindle Assembly

| <i>Ref.</i> | <i>Part Number</i> | <i>Qty.</i> | <i>Description</i> |
|-------------|--------------------|-------------|---------------------|
| 1 | 119-4547 | 1 | Driving Spindle ASM |
| 2 | 323-6 | 4 | Screw-HH |
| 3 | 92-5608-03 | 3 | Blade |
| 4 | 72-9361 | 3 | Cup-Scalp, Anti |
| 5 | 92-5816 | 3 | Bolt-Blade |
| 6 | 3256-24 | 4 | Washer-Flat |

Driven Spindle Assembly No. 119-4547

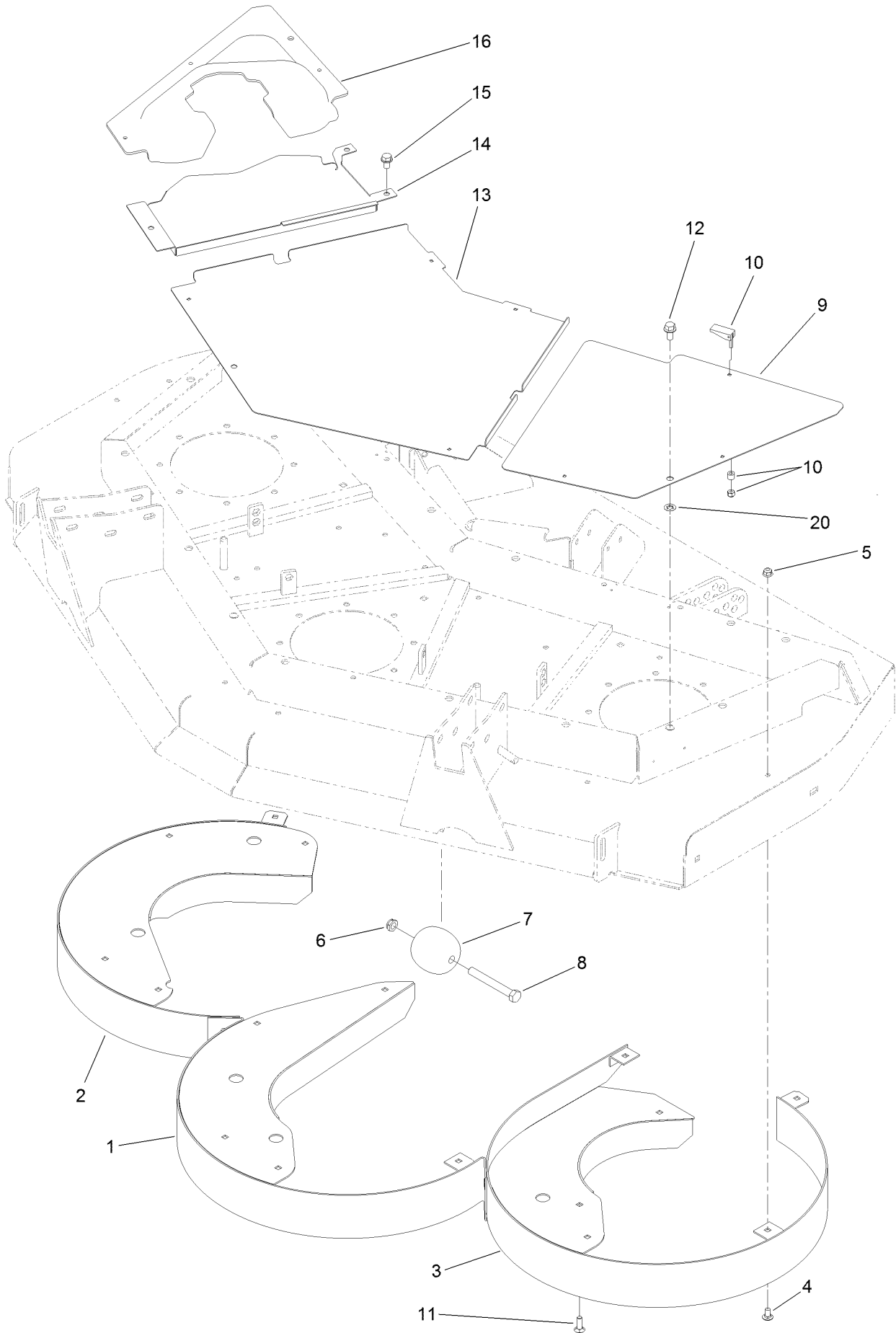


Driven Spindle Assembly No. 119-4547 (continued)

| <i>Ref.</i> | <i>Part Number</i> | <i>Qty.</i> | <i>Description</i> | <i>Ref.</i> | <i>Part Number</i> | <i>Qty.</i> | <i>Description</i> |
|-------------|--------------------|-------------|-----------------------|-------------|--------------------|-------------|--------------------|
| 1 | 104-3554 | 1 | Shaft-Spindle | 3:5 | | 1 | Spindle ASM ● |
| 2 | 69-6950 | 1 | Spacer-Shaft, Spindle | 3:5:2 | 114-8195 | 4 | Bolt-Neck, Ribbed |
| 3 | 119-4546 | 1 | Spindle Housing ASM | 4 | 106-7159 | 1 | O-Ring |
| 3:1 | 120-5577 | 1 | Bearing Spacer Set | 5 | 104-3545 | 1 | Pulley-Driving |
| 3:2 | 110-8297 | 1 | Bearing ASM | 6 | 120-5576 | 1 | Washer-Hardened |
| 3:3 | 253-154 | 2 | Seal-Oil | 7 | 3296-60 | 1 | Nut-Lock, NI |
| 3:4 | 302-60 | 1 | Fitting-Grease | 8 | 104-3544 | 1 | Mount-Motor, Drive |

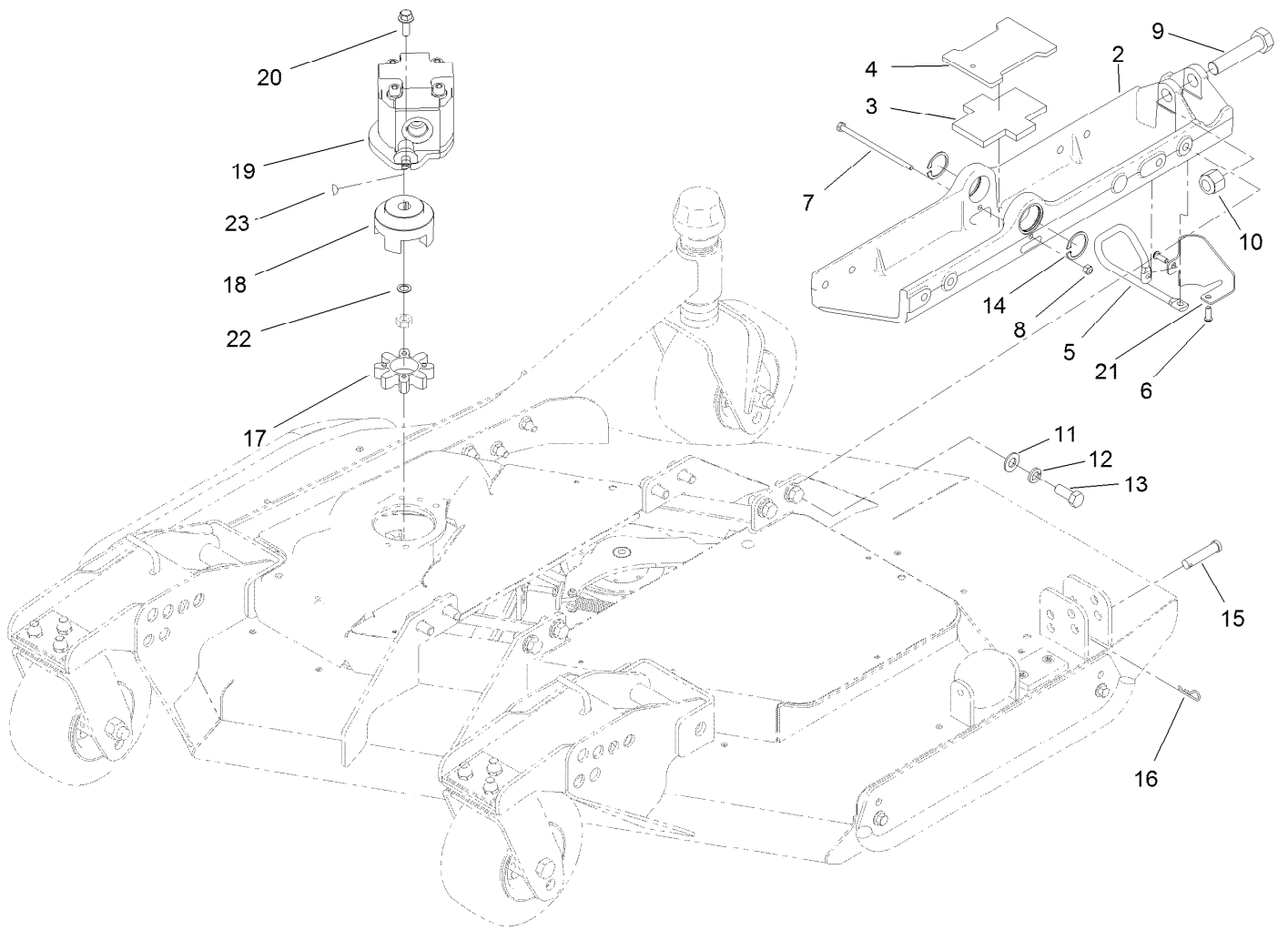
● Not serviced separately

Front Deck Cutting Chamber, Cover and Roller Assembly



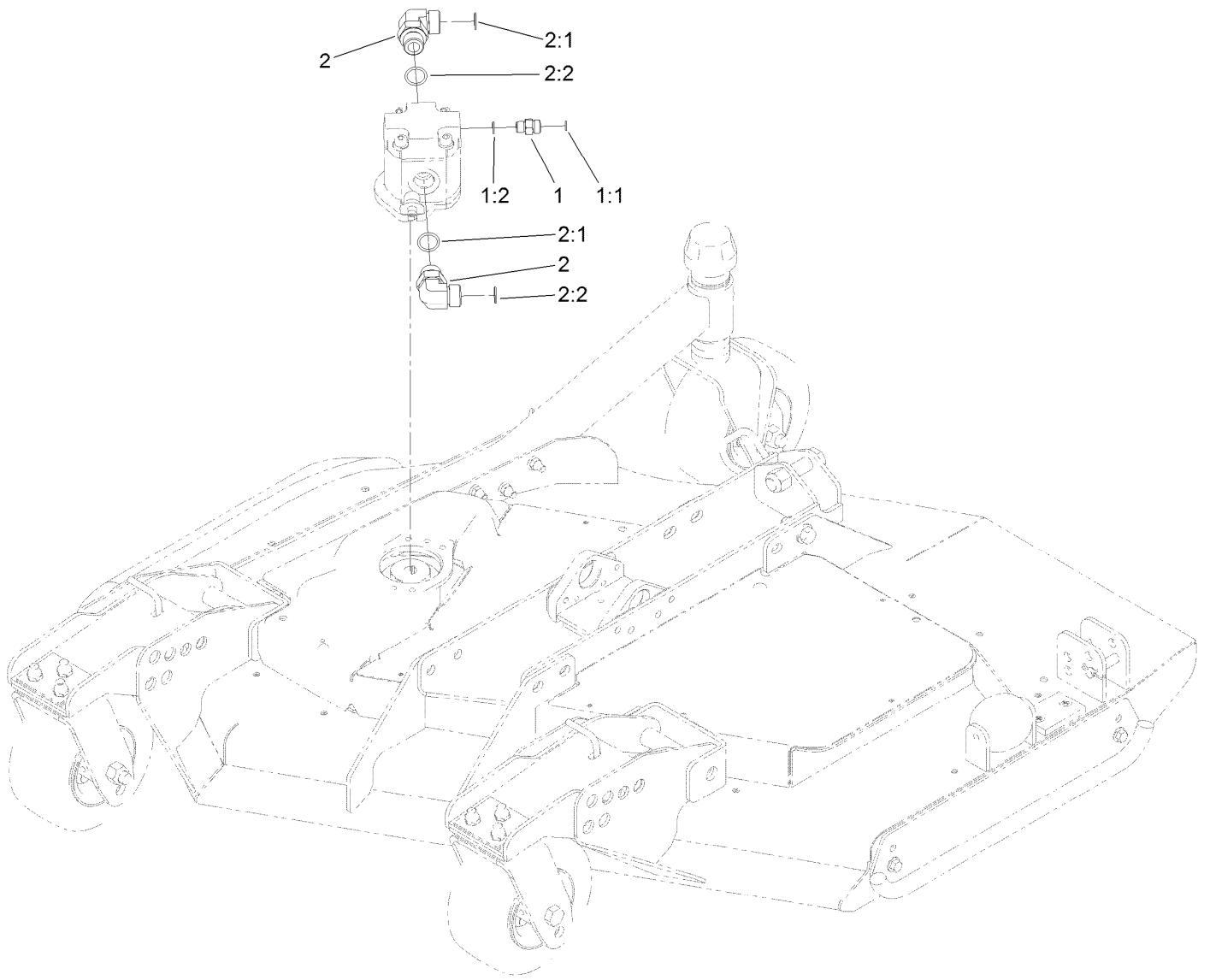
Front Deck Cutting Chamber, Cover and Roller Assembly (continued)

| <i>Ref.</i> | <i>Part Number</i> | <i>Qty.</i> | <i>Description</i> | <i>Ref.</i> | <i>Part Number</i> | <i>Qty.</i> | <i>Description</i> |
|-------------|--------------------|-------------|--------------------|-------------|--------------------|-------------|---------------------|
| 1 | 130-2650-01 | 1 | Chamber-Center | 10 | 74-5950 | 10 | Latch-Swell |
| 2 | 130-2674-01 | 1 | Chamber-RH | 11 | 3230-22 | 3 | Screw-CARR |
| 3 | 130-2675-01 | 1 | Chamber-LH | 12 | 3234-1 | 3 | Screw-HHF |
| 4 | 3230-18 | 15 | Screw-CARR | 13 | 100-5660-03 | 1 | Cover-Front, Center |
| 5 | 104-8300 | 18 | Nut-HF, NI | 14 | 100-5662-03 | 1 | Cover-Front, RH |
| 6 | 3296-45 | 2 | Nut-Hex | 15 | 32144-69 | 3 | Screw-HWHTF |
| 7 | 29-4820 | 2 | Roller | 16 | 100-5661 | 1 | Cover-Front, Center |
| 8 | 325-17 | 2 | Screw-HH | 20 | 107-3154 | 3 | Nut-Push |
| 9 | 100-5663-03 | 1 | Cover-Front, LH | | | | |



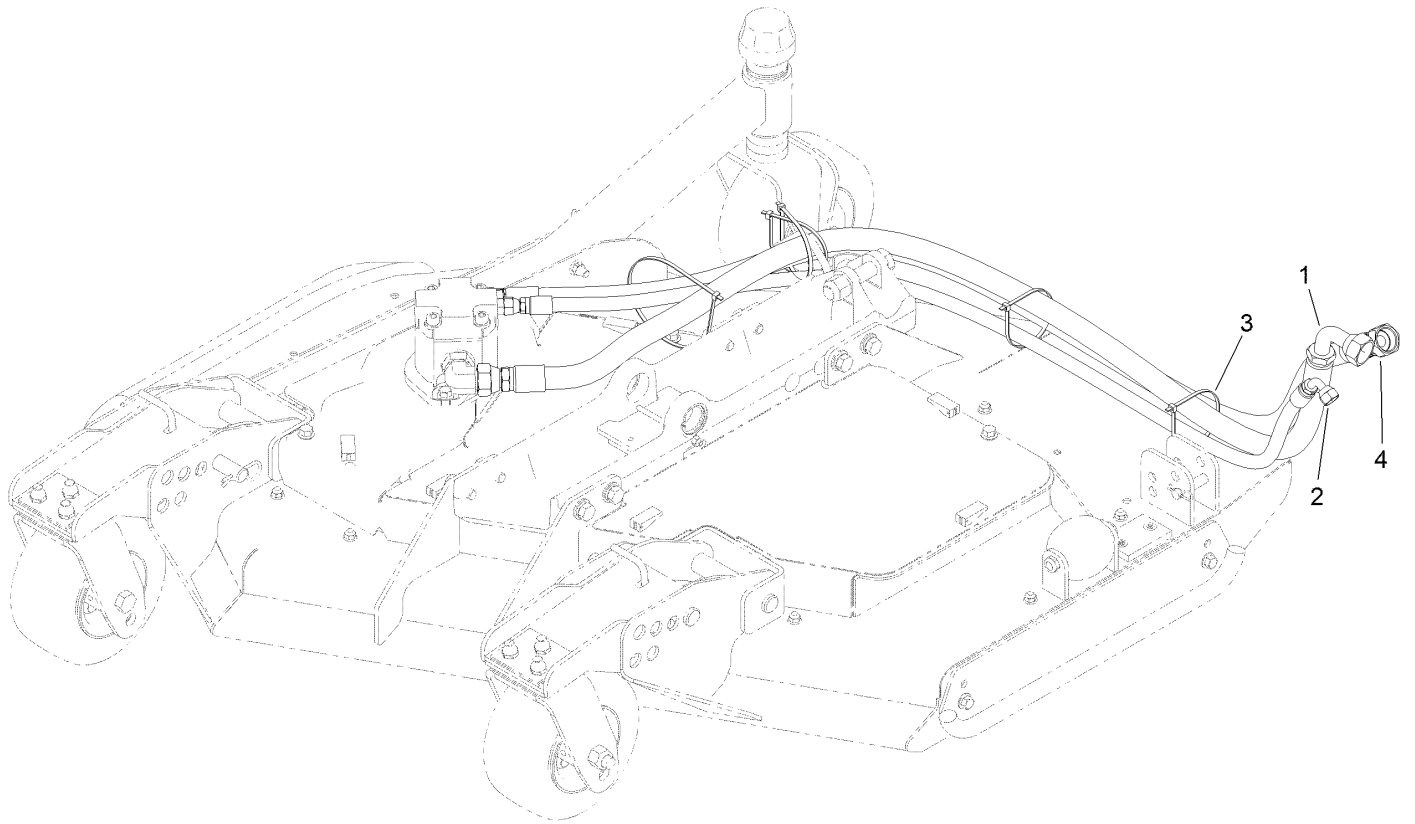
Right Deck Mount Assembly

| Ref. | Part Number | Qty. | Description | Ref. | Part Number | Qty. | Description |
|------|-------------|------|----------------|------|-------------|------|-----------------|
| 2 | 107-4348-03 | 1 | Mount-Deck, RH | 13 | 325-5 | 8 | Screw-HH |
| 3 | 104-8348 | 1 | Plate-Rubber | 14 | 32120-42 | 2 | Ring-Retaining |
| 4 | 108-1528-03 | 1 | Plate | 15 | 92-2739 | 1 | Pin-Clevis |
| 5 | 108-1529 | 1 | Support-Hose | 16 | 3290-467 | 1 | Pin-Hair |
| 6 | 3274-69 | 2 | Screw-HSBH | 17 | 104-3542 | 1 | Spider |
| 7 | 321-47 | 1 | Screw-HH | 18 | 104-3541 | 1 | Hub-Spider |
| 8 | 3296-42 | 1 | Nut-Lock, NI | 19 | 127-3694 | 1 | HYD Motor ASM |
| 9 | 328-5 | 1 | Screw-HH | 20 | 3234-42 | 2 | Screw-HHF |
| 10 | 3296-51 | 1 | Nut-Lock, NI | 21 | 120-0480-03 | 1 | Guide-Hose, RH |
| 11 | 3256-26 | 8 | Washer-Flat | 22 | 112-6957 | 1 | Washer-Hardened |
| 12 | 3253-7 | 8 | Washer-Lock | 23 | 3257-3 | 1 | Key-Woodruff |



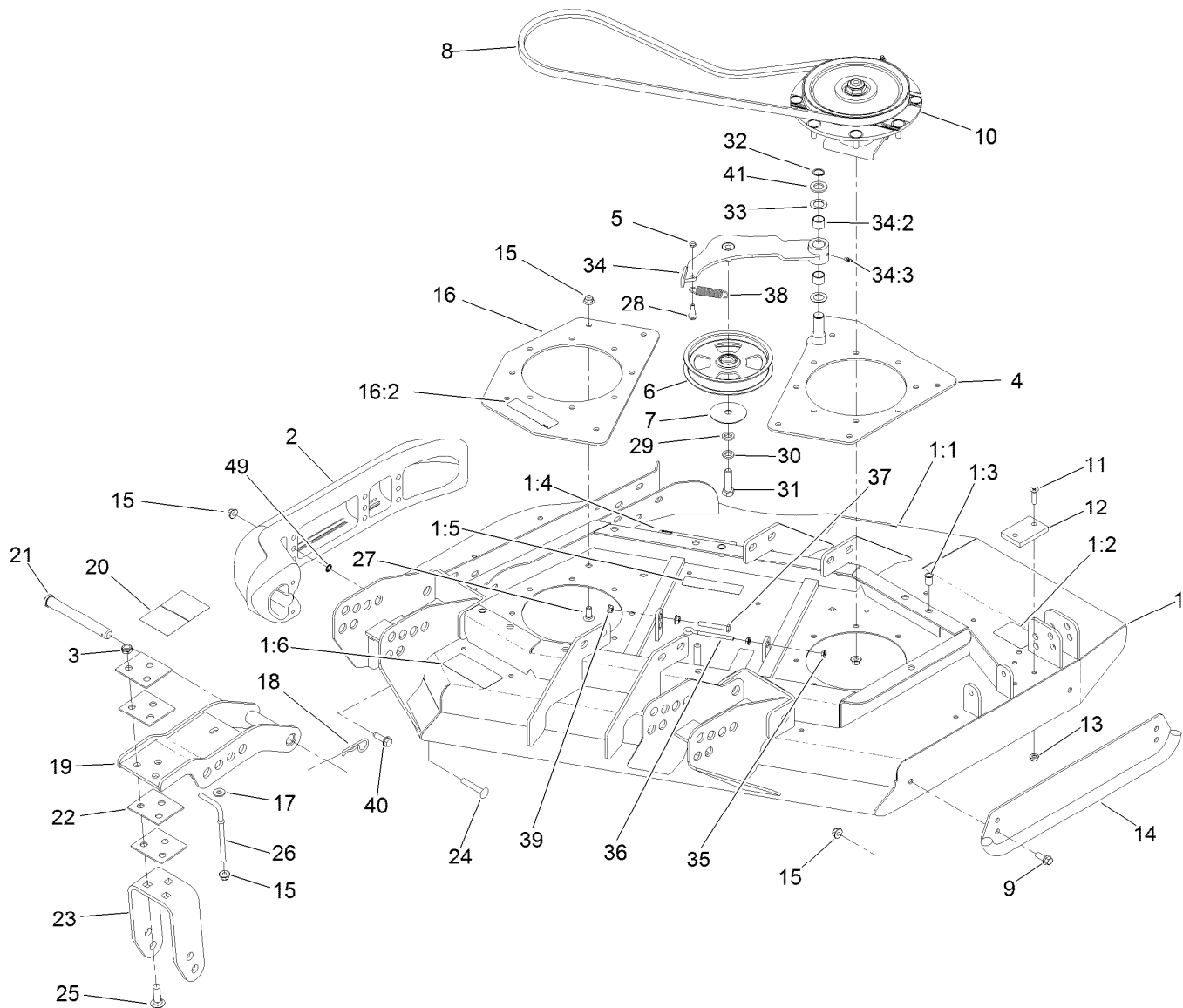
Right Deck Hydraulic Fitting Assembly

| <i>Ref.</i> | <i>Part Number</i> | <i>Qty.</i> | <i>Description</i> |
|-------------|--------------------|-------------|-----------------------|
| 1 | 340-2 | 1 | Fitting-Straight |
| 1:1 | 237-22 | 1 | O-Ring |
| 1:2 | 237-42 | 1 | O-Ring |
| 2 | 340-142 | 2 | Fitting-Elbow, 90 DEG |
| 2:1 | 237-58 | 1 | O-Ring |
| 2:2 | 237-81 | 1 | O-Ring |



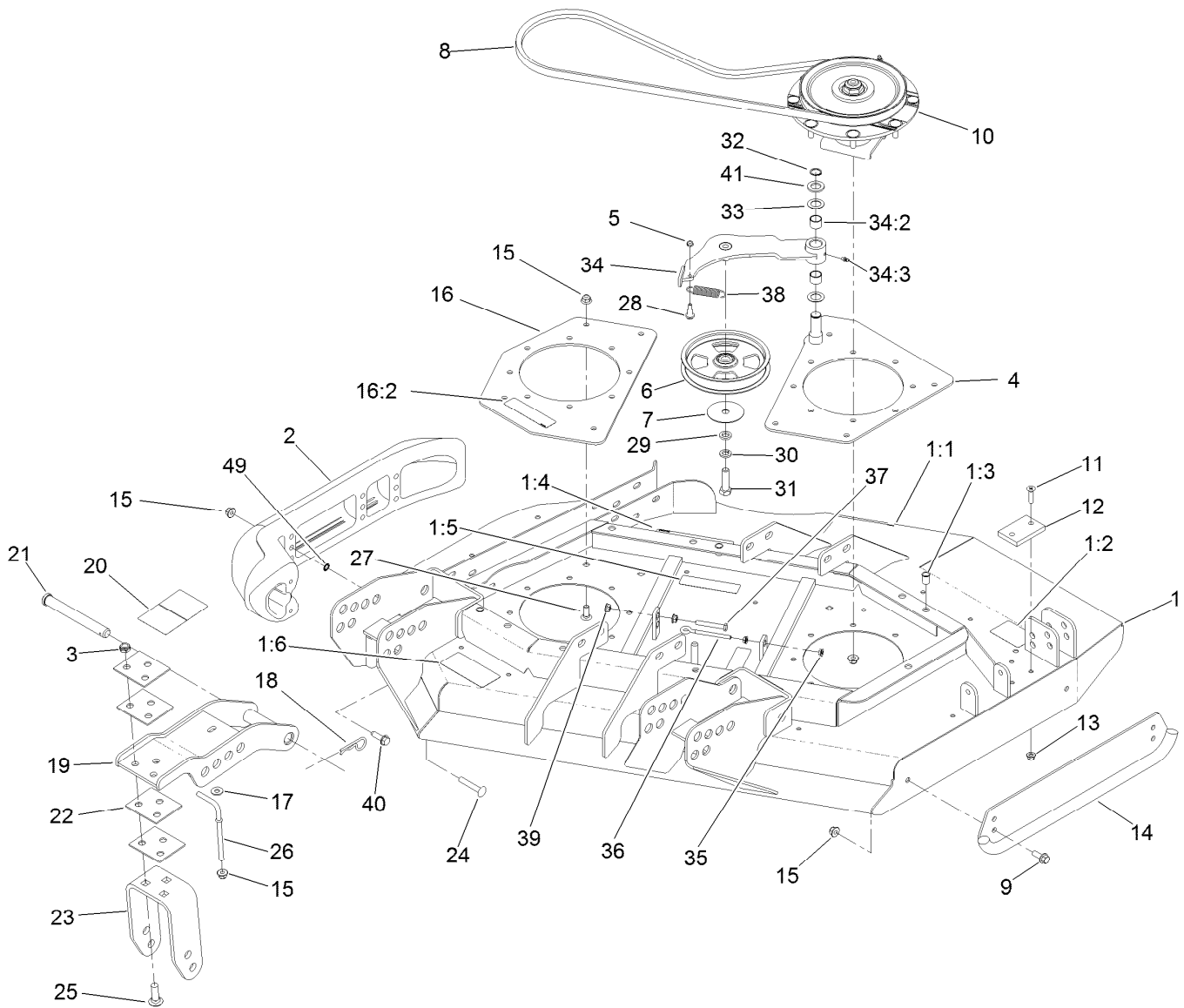
Right Deck Hose Assembly

| <i>Ref.</i> | <i>Part Number</i> | <i>Qty.</i> | <i>Description</i> |
|-------------|--------------------|-------------|--------------------|
| 1 | 120-8959 | 1 | Hose-HYD |
| 2 | 104-2265 | 1 | Hose-HYD |
| 3 | 3290-379 | 5 | Tie-Cable |
| 4 | 132-6116 | 1 | Hose-HYD |



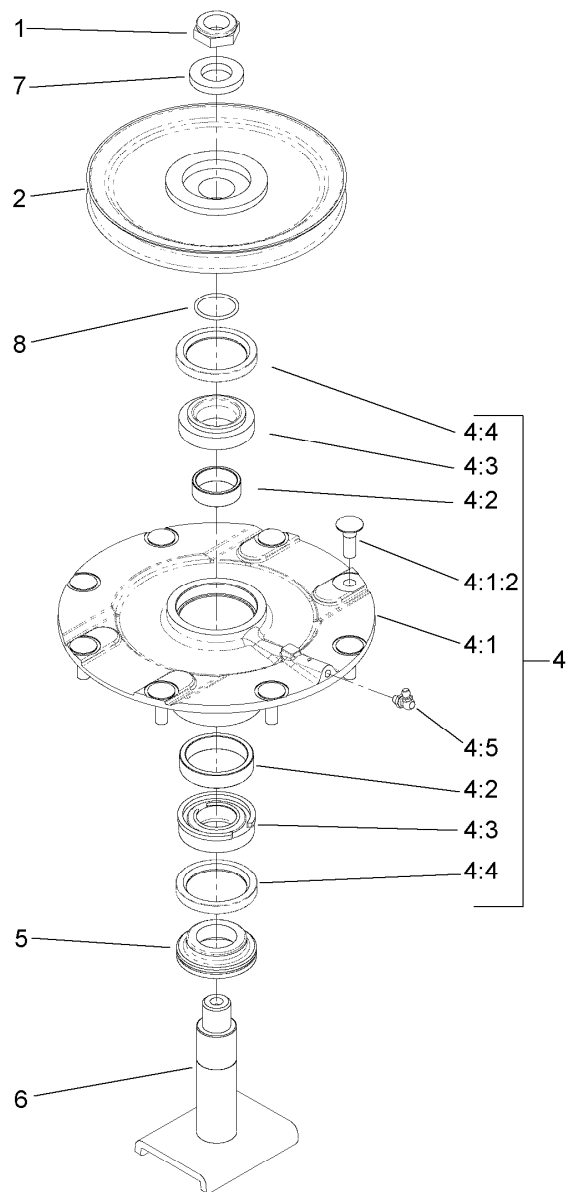
Right Deck, Idler and Skid Assembly

| Ref. | Part Number | Qty. | Description | Ref. | Part Number | Qty. | Description |
|------|-------------|------|--------------------------|------|-------------|------|----------------|
| 1 | 131-1235 | 1 | Right Deck ASM | 16 | 131-1243 | 1 | Plate-Spindle |
| 1:1 | 120-6604 | 1 | Decal-Danger | 16:2 | 100-6578 | 1 | Decal-Danger |
| 1:2 | 100-5694 | 1 | Decal-Rear HOC, RH | 17 | 3256-3 | 2 | Washer-Flat |
| 1:3 | 32148-9 | 3 | Nut-Clinch | 18 | 3290-343 | 4 | Pin-Hair |
| 1:4 | 100-5622 | 1 | Decal-HOC | 19 | 132-6150-01 | 2 | Bracket-Caster |
| 1:5 | 100-6578 | 2 | Decal-Danger | 20 | 100-5623 | 1 | Decal-HOC |
| 1:6 | 93-7818 | 1 | Decal-Torque, Blade Bolt | 21 | 120-5587 | 4 | Pin-Clevis |
| 2 | 112-1479 | 1 | Skid-Bumper, Deck | 22 | 104-7524 | 8 | Shim |
| 3 | 3296-45 | 6 | Nut-Hex | 23 | 132-6157-01 | 2 | Bracket-Fork |
| 4 | 131-1231-01 | 1 | Plate-Stiffener | 24 | 3231-33 | 2 | Screw-CARR |
| 5 | 3296-56 | 1 | Nut-Lock, NI | 25 | 3233-2 | 6 | Screw-CARR |
| 6 | 132-9421 | 1 | Pulley-Idler, Flat | 26 | 106-2047 | 2 | Rod-Tension |
| 7 | 100-3102 | 1 | Washer-Flat | 27 | 3231-22 | 8 | Screw-CARR |
| 8 | 108-8076 | 1 | V-Belt, Deck | 28 | 104-0858 | 1 | Bolt-Shoulder |
| 9 | 3234-42 | 2 | Screw-HHF | 29 | 9202424 | 1 | Spacer |
| 10 | 119-4776 | 1 | Low-Driven Spindle ASM | 30 | 3253-7 | 1 | Washer-Lock |
| 11 | 32108-103 | 2 | Screw-FH | 31 | 325-7 | 1 | Screw-HH |
| 12 | 69-9290 | 1 | Pad-Bumper | 32 | 32120-72 | 1 | Ring-Snap |
| 13 | 104-8300 | 2 | Nut-HF, NI | 33 | 3-6498 | 2 | Washer-Thrust |
| 14 | 104-2250-01 | 1 | Skid-Side | 34 | 110-6128 | 1 | Idler Arm ASM |
| 15 | 104-8301 | 26 | Nut-HF, NI | 34:2 | 256-76 | 2 | Bushing |



Right Deck, Idler and Skid Assembly (continued)

| <i>Ref.</i> | <i>Part Number</i> | <i>Qty.</i> | <i>Description</i> | <i>Ref.</i> | <i>Part Number</i> | <i>Qty.</i> | <i>Description</i> |
|-------------|--------------------|-------------|--------------------|-------------|--------------------|-------------|--------------------|
| 34:3 | 302-5 | 1 | Fitting-Grease | 39 | 32128-26 | 2 | Nut-Flange |
| 35 | 32128-14 | 2 | Nut-HF | 40 | 9136144 | 1 | Screw-HWHTF |
| 36 | 68-0090 | 1 | Screw-Adjusting | 41 | 70-1160 | 1 | Washer |
| 37 | 9114524 | 1 | Bolt-TAP, HH | 49 | 32151-72 | 2 | Ring-Retaining |
| 38 | 107938 | 1 | Spring-Extension | | | | |

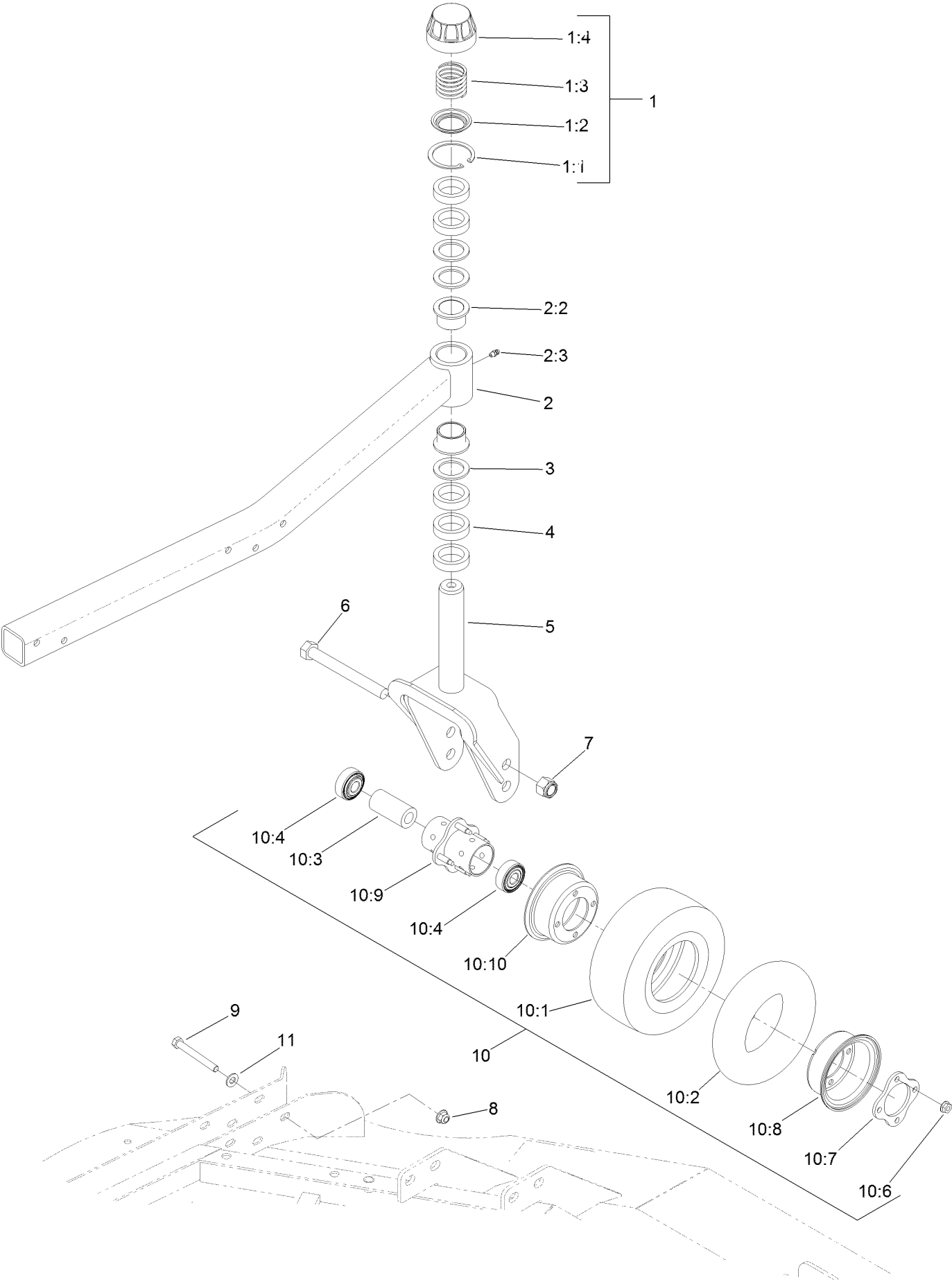


Low Driven Spindle Assembly No. 119-4776

| Ref. | Part Number | Qty. | Description |
|-------|-------------|------|-----------------------|
| 1 | 3296-60 | 1 | Nut-Lock, NI |
| 2 | 104-3546 | 1 | Pulley-Driven, Low |
| 4 | 119-4775 | 1 | Spindle Housing ASM |
| 4:1 | | 1 | Spindle ASM ● |
| 4:1:2 | 114-8195 | 8 | Bolt-Neck, Ribbed |
| 4:2 | 120-5577 | 1 | Bearing Spacer Set |
| 4:3 | 110-8297 | 1 | Bearing ASM |
| 4:4 | 253-154 | 2 | Seal-Oil |
| 4:5 | 302-60 | 1 | Fitting-Grease |
| 5 | 69-6950 | 1 | Spacer-Shaft, Spindle |
| 6 | 104-3554 | 1 | Shaft-Spindle |
| 7 | 120-5576 | 1 | Washer-Hardened |
| 8 | 106-7159 | 1 | O-Ring |

● Not serviced separately

Right Hand and Left Hand Castor Arm and Wheel Assembly

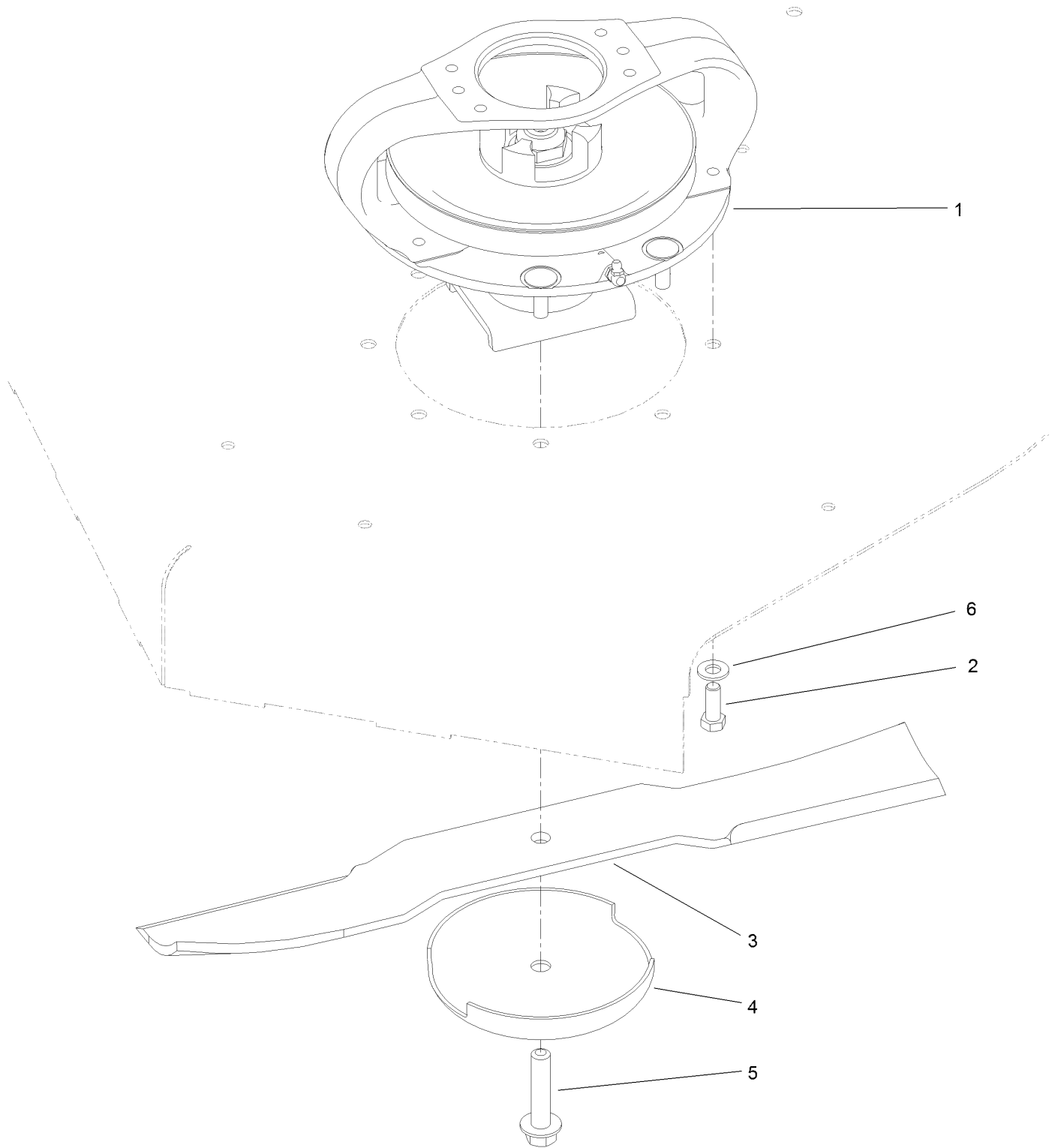


Right Hand and Left Hand Castor Arm and Wheel Assembly (continued)

| <i>Ref.</i> | <i>Part Number</i> | <i>Qty.</i> | <i>Description</i> | <i>Ref.</i> | <i>Part Number</i> | <i>Qty.</i> | <i>Description</i> |
|-------------|--------------------|-------------|--------------------|-------------|--------------------|-------------|-----------------------------------|
| 1 | 92-9727 | 1 | HOC Cap ASM | 9 | 323-20 | 5 | Screw-HH |
| 1:1 | 92-5581 | 1 | Ring-Retaining | 10 | 93-5974 | 3 | 8 Inch Foam Filled Wheel ASM ● |
| 1:2 | 92-5583 | 1 | Washer-Cap | | | | |
| 1:3 | 92-9726 | 1 | Spring-Compression | 10 | 93-9938 | 3 | Wheel ASM |
| 1:4 | 92-8861 | 1 | Cap-HOC | 10:1 | 93-9939 | 1 | Tire |
| 2 | 132-6167 | 1 | Caster Arm ASM | 10:2 | 68-8950 | 1 | Tube-Inner (W/Valve) |
| 2:2 | 69-6470 | 2 | Bushing-Caster | 10:3 | 93-4241 | 1 | Spacer-Bearing, Inner |
| 2:3 | 302-5 | 1 | Fitting-Grease | 10:4 | 120-3366 | 2 | Bearing |
| 3 | 69-6860 | 3 | Washer-Thrust | 10:6 | 32128-16 | 4 | Nut-HHF |
| 4 | 69-1510 | 5 | Spacer | 10:7 | 93-4242 | 1 | Plate |
| 5 | 130-2736-01 | 1 | Fork-Caster | 10:8 | 93-4239 | 1 | Rim-Wheel, Half |
| 6 | 327-24 | 3 | Screw-HH | 10:9 | 93-5980 | 1 | Hub |
| 7 | 3296-53 | 3 | Nut-Lock, NI | 10:10 | 95-2741 | 1 | Rim-Wheel, Half |
| 8 | 104-8301 | 5 | Nut-HF, NI | 11 | 3256-24 | 5 | Washer-Flat |

● Optional Equipment

LH and RH Deck Driving Spindle Assembly

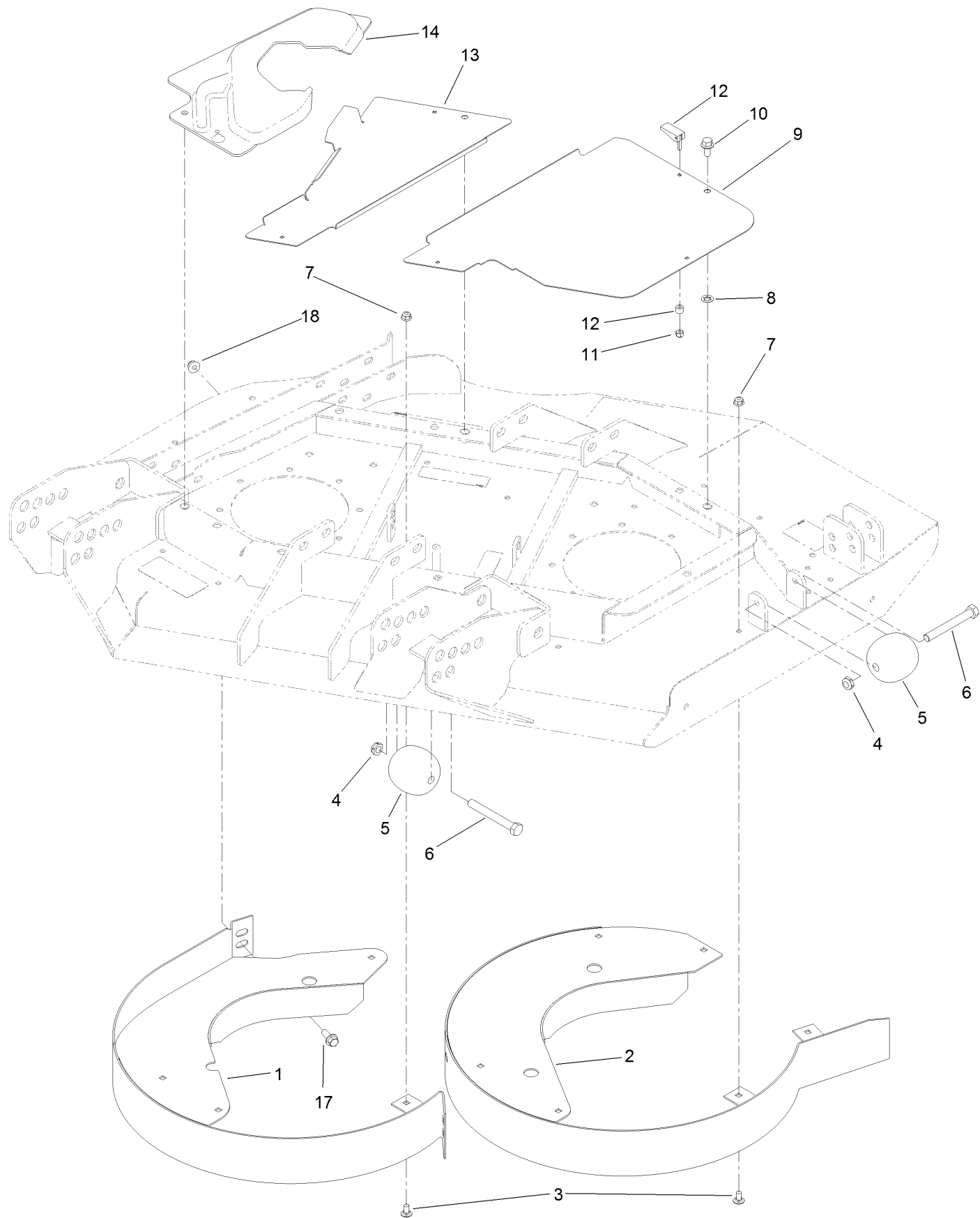


LH and RH Deck Driving Spindle Assembly (continued)

| <i>Ref.</i> | <i>Part Number</i> | <i>Qty.</i> | <i>Description</i> |
|-------------|--------------------|-------------|---------------------|
| 1 | 119-4547 | 1 | Driving Spindle ASM |
| 2 | 323-6 | 4 | Screw-HH |
| 3 | 92-5608-03 | 2 | Blade |

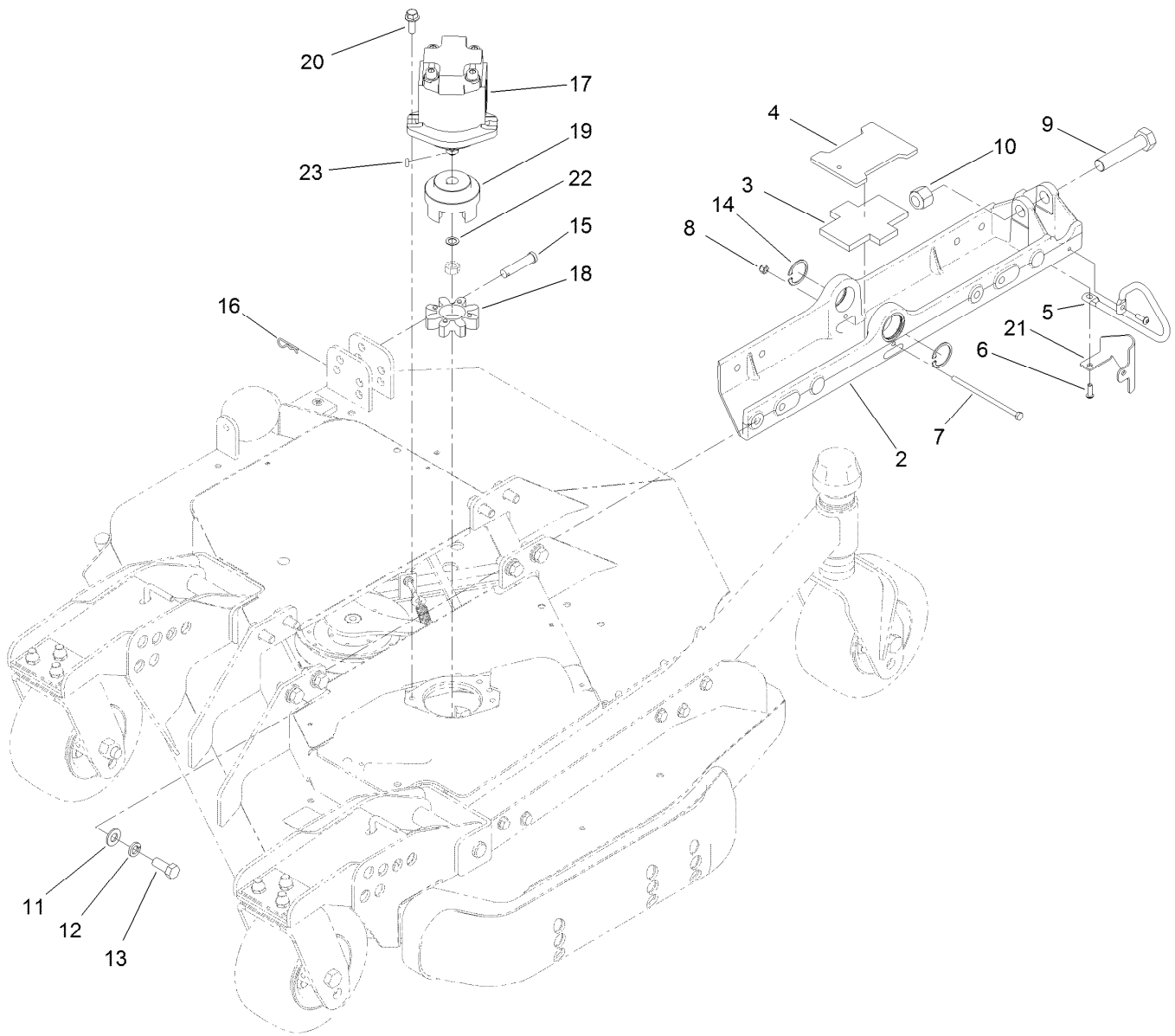
| <i>Ref.</i> | <i>Part Number</i> | <i>Qty.</i> | <i>Description</i> |
|-------------|--------------------|-------------|--------------------|
| 4 | 72-9361 | 2 | Cup-Scalp, Anti |
| 5 | 92-5816 | 2 | Bolt-Blade |
| 6 | 3256-24 | 4 | Washer-Flat |

Right Deck Discharge Chamber and Cover Assembly



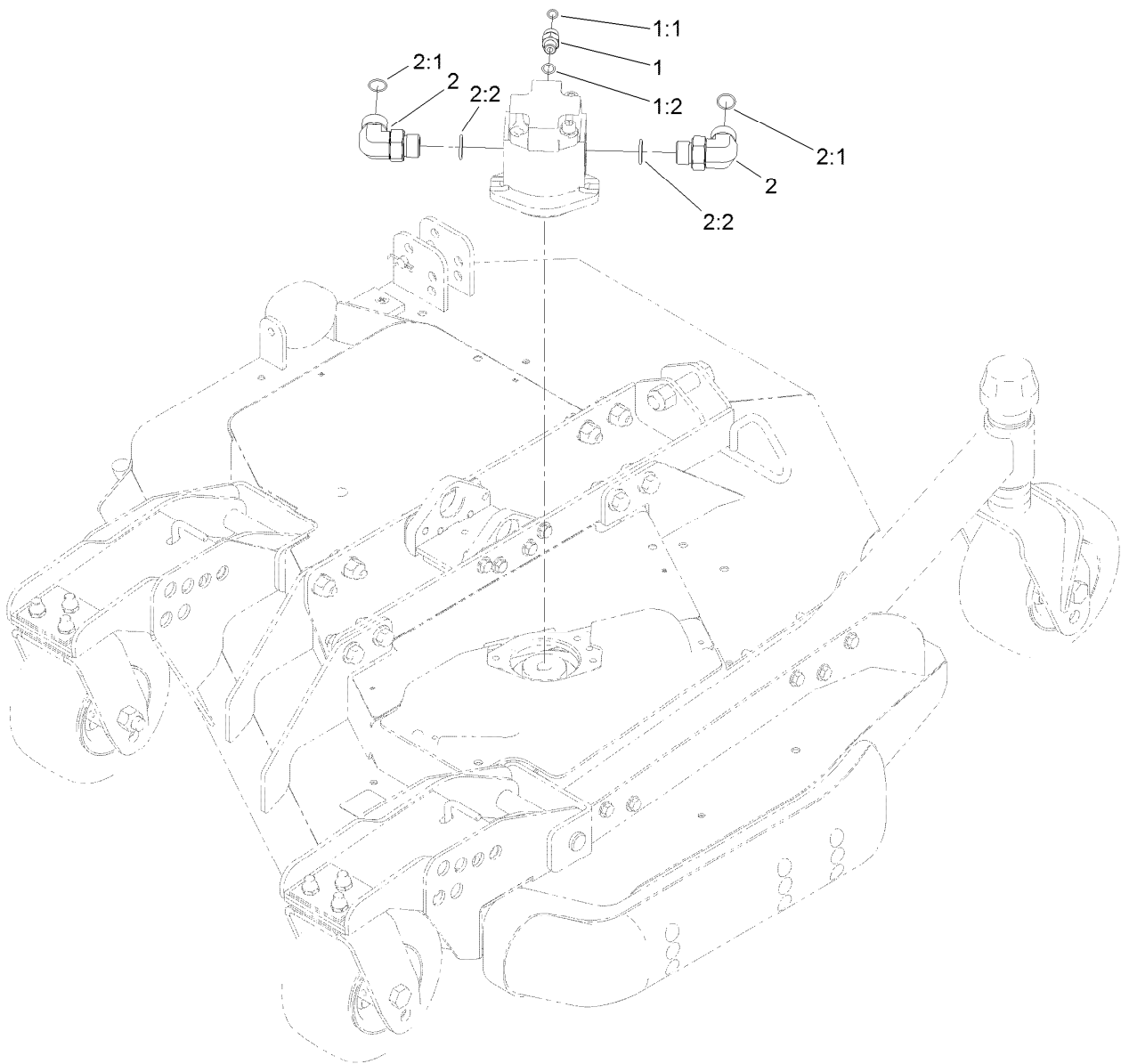
Right Deck Discharge Chamber and Cover Assembly (continued)

| <i>Ref.</i> | <i>Part Number</i> | <i>Qty.</i> | <i>Description</i> | <i>Ref.</i> | <i>Part Number</i> | <i>Qty.</i> | <i>Description</i> |
|-------------|--------------------|-------------|--------------------|-------------|--------------------|-------------|----------------------|
| 1 | 130-2680-01 | 1 | Chamber-Outer | 9 | 100-5668-03 | 1 | Plate-Cover, RH Side |
| 2 | 130-2681-01 | 1 | Chamber-Inner | 10 | 3234-1 | 3 | Screw-HHF |
| 3 | 3230-18 | 11 | Screw-CARR | 11 | 1-804254 | 7 | Nut-Lock, HH |
| 4 | 3296-45 | 2 | Nut-Hex | 12 | 74-5950 | 7 | Latch-Swell |
| 5 | 29-4820 | 2 | Roller | 13 | 100-5665-03 | 1 | Plate-Cover, RH |
| 6 | 325-17 | 2 | Screw-HH | 14 | 100-5666 | 1 | Cover-Motor, RH Deck |
| 7 | 104-8300 | 11 | Nut-HF, NI | 17 | 3234-42 | 1 | Screw-HHF |
| 8 | 107-3154 | 3 | Nut-Push | 18 | 104-8301 | 1 | Nut-HF, NI |



Left Deck Mount Assembly

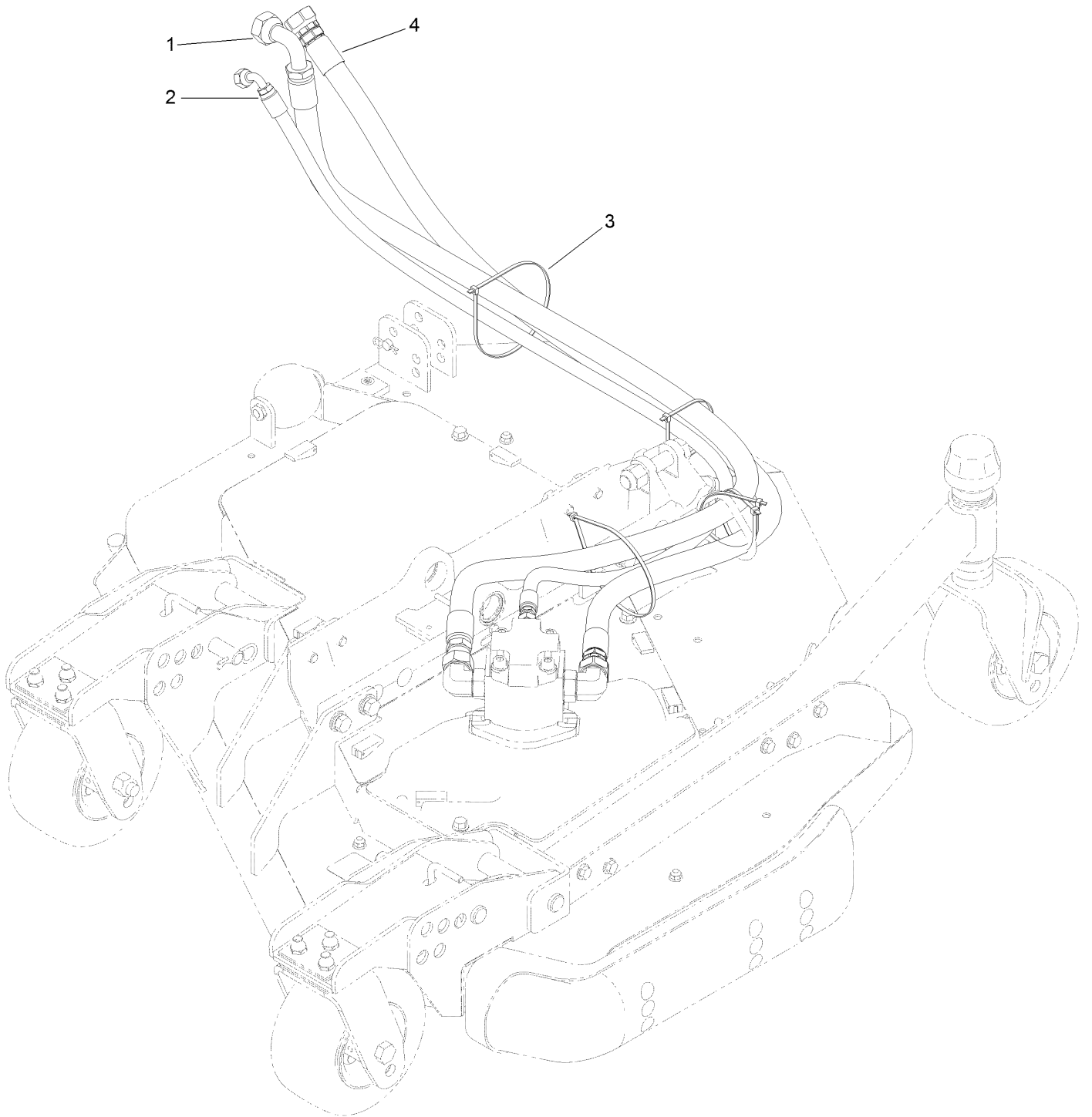
| Ref. | Part Number | Qty. | Description | Ref. | Part Number | Qty. | Description |
|------|-------------|------|----------------|------|-------------|------|-----------------|
| 2 | 107-4349-03 | 1 | Mount-Deck, LH | 13 | 325-5 | 8 | Screw-HH |
| 3 | 104-8348 | 1 | Plate-Rubber | 14 | 32120-42 | 2 | Ring-Retaining |
| 4 | 108-1528-03 | 1 | Plate | 15 | 92-2739 | 1 | Pin-Clevis |
| 5 | 108-1529 | 1 | Support-Hose | 16 | 3290-467 | 1 | Pin-Hair |
| 6 | 3274-69 | 2 | Screw-HSBH | 17 | 127-3694 | 1 | HYD Motor ASM |
| 7 | 321-47 | 1 | Screw-HH | 18 | 104-3542 | 1 | Spider |
| 8 | 3296-42 | 1 | Nut-Lock, NI | 19 | 104-3541 | 1 | Hub-Spider |
| 9 | 328-5 | 1 | Screw-HH | 20 | 3234-42 | 2 | Screw-HHF |
| 10 | 3296-51 | 1 | Nut-Lock, NI | 21 | 120-0481-03 | 1 | Guide-Hose, LH |
| 11 | 3256-26 | 8 | Washer-Flat | 22 | 112-6957 | 1 | Washer-Hardened |
| 12 | 3253-7 | 8 | Washer-Lock | 23 | 3257-3 | 1 | Key-Woodruff |



Left Deck Hydraulic Fitting Assembly

| <i>Ref.</i> | <i>Part Number</i> | <i>Qty.</i> | <i>Description</i> |
|-------------|--------------------|-------------|-----------------------|
| 1 | 340-2 | 1 | Fitting-Straight |
| 1:1 | 237-22 | 1 | O-Ring |
| 1:2 | 237-42 | 1 | O-Ring |
| 2 | 340-142 | 2 | Fitting-Elbow, 90 DEG |
| 2:1 | 237-58 | 1 | O-Ring |
| 2:2 | 237-81 | 1 | O-Ring |

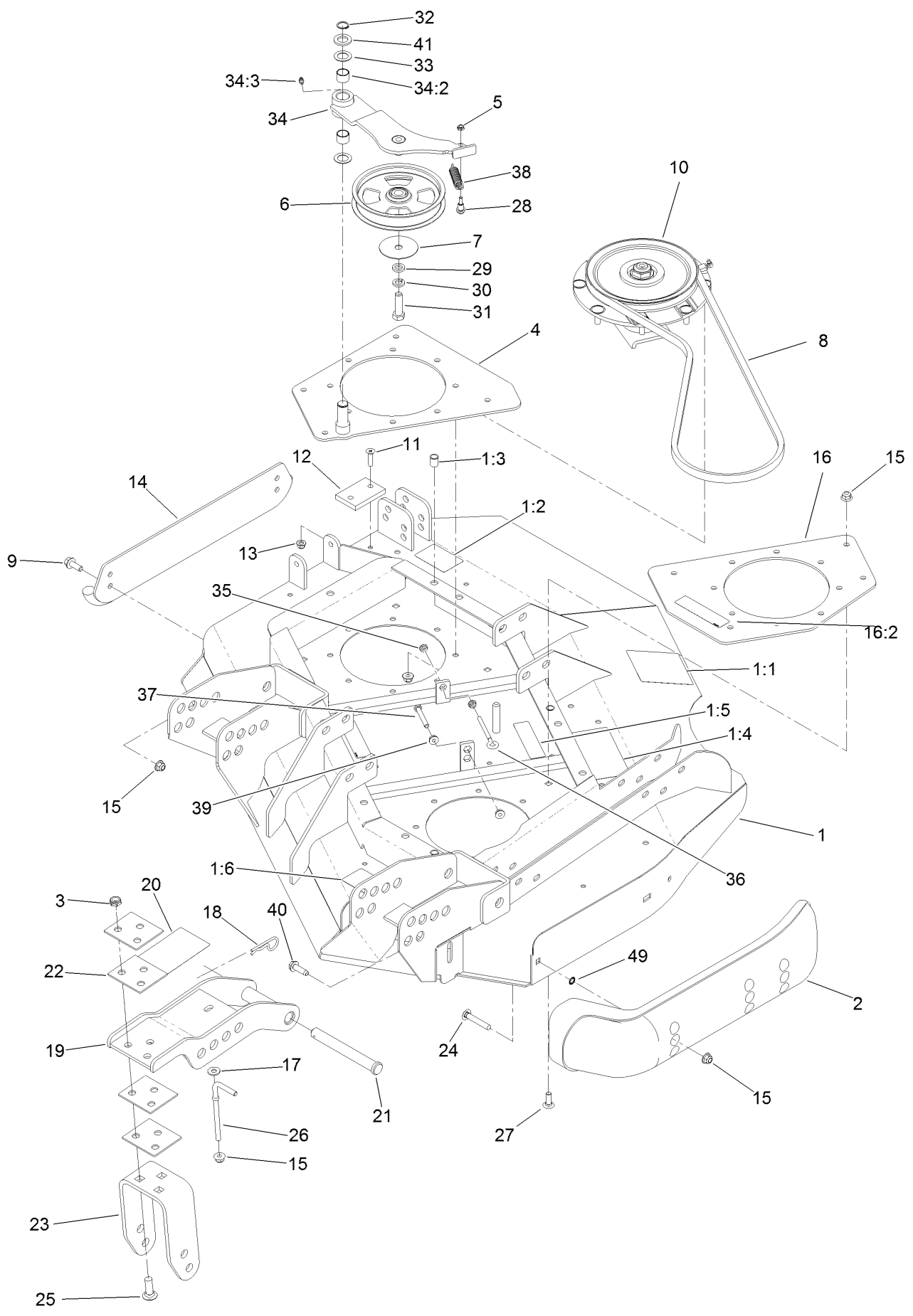
Left Deck Hose Assembly



Left Deck Hose Assembly (continued)

| <i>Ref.</i> | <i>Part Number</i> | <i>Qty.</i> | <i>Description</i> | <i>Ref.</i> | <i>Part Number</i> | <i>Qty.</i> | <i>Description</i> |
|-------------|--------------------|-------------|--------------------|-------------|--------------------|-------------|--------------------|
| 1 | 120-8959 | 1 | Hose-HYD | 3 | 3290-379 | 5 | Tie-Cable |
| 2 | 104-2265 | 1 | Hose-HYD | 4 | 132-6116 | 1 | Hose-HYD |

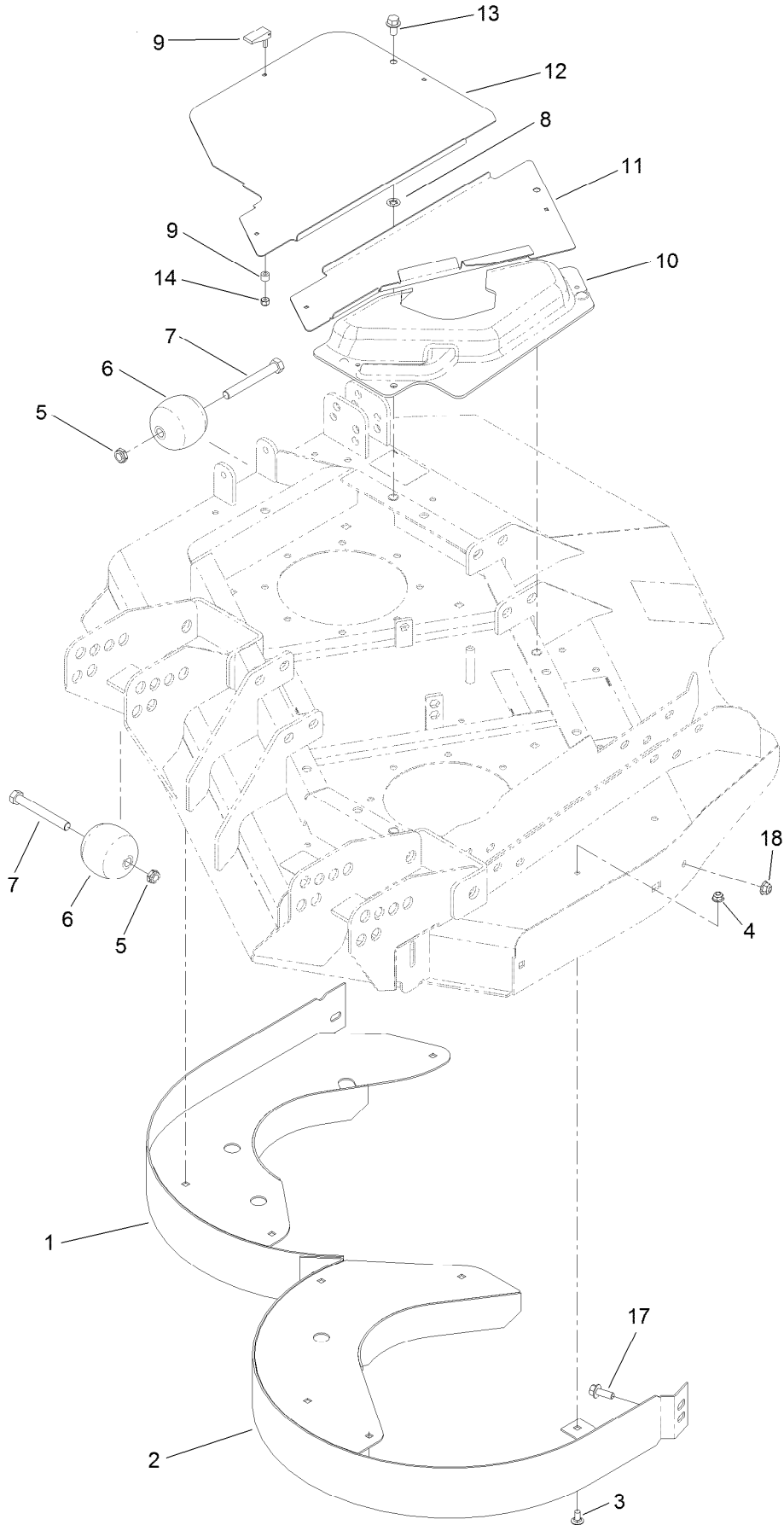
Left Deck, Idler and Skid Assembly



Left Deck, Idler and Skid Assembly (continued)

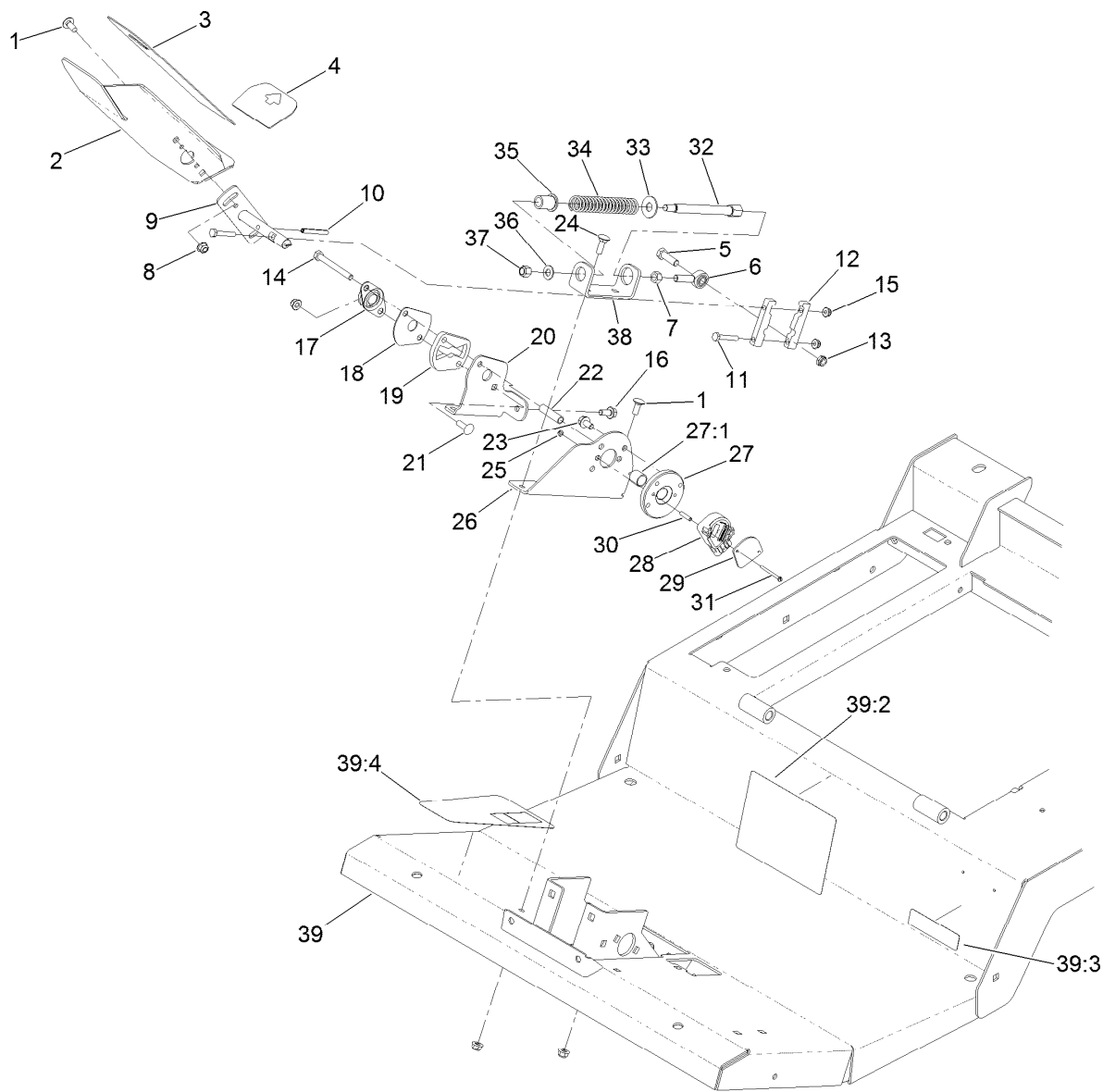
| <i>Ref.</i> | <i>Part Number</i> | <i>Qty.</i> | <i>Description</i> | <i>Ref.</i> | <i>Part Number</i> | <i>Qty.</i> | <i>Description</i> |
|-------------|--------------------|-------------|--------------------------|-------------|--------------------|-------------|--------------------|
| 1 | 131-1236 | 1 | Left Deck ASM | 20 | 104-3579 | 1 | Decal-HOC |
| 1:1 | 120-6604 | 1 | Decal-Danger | 21 | 120-5587 | 4 | Pin-Clevis |
| 1:2 | 100-5693 | 1 | Decal-Rear HOC, LH | 22 | 104-7524 | 8 | Shim |
| 1:3 | 32148-9 | 3 | Nut-Clinch | 23 | 132-6157-01 | 2 | Bracket-Fork |
| 1:4 | 100-5622 | 1 | Decal-HOC | 24 | 3231-33 | 2 | Screw-CARR |
| 1:5 | 100-6578 | 2 | Decal-Danger | 25 | 3233-2 | 6 | Screw-CARR |
| 1:6 | 93-7818 | 1 | Decal-Torque, Blade Bolt | 26 | 106-2047 | 2 | Rod-Tension |
| 2 | 112-1479 | 1 | Skid-Bumper, Deck | 27 | 3231-22 | 8 | Screw-CARR |
| 3 | 3296-45 | 6 | Nut-Hex | 28 | 104-0858 | 1 | Bolt-Shoulder |
| 4 | 131-1233-01 | 1 | Plate-Stiffener | 29 | 9202424 | 1 | Spacer |
| 5 | 3296-56 | 1 | Nut-Lock, NI | 30 | 3253-7 | 1 | Washer-Lock |
| 6 | 132-9421 | 1 | Pulley-Idler, Flat | 31 | 325-7 | 1 | Screw-HH |
| 7 | 100-3102 | 1 | Washer-Flat | 32 | 32120-72 | 1 | Ring-Snap |
| 8 | 108-8076 | 1 | V-Belt, Deck | 33 | 3-6498 | 2 | Washer-Thrust |
| 9 | 3234-42 | 2 | Screw-HHF | 34 | 110-6128 | 1 | Idler Arm ASM |
| 10 | 119-4776 | 1 | Low-Driven Spindle ASM | 34:2 | 256-76 | 2 | Bushing |
| 11 | 32108-103 | 2 | Screw-FH | 34:3 | 302-5 | 1 | Fitting-Grease |
| 12 | 69-9290 | 1 | Pad-Bumper | 35 | 32128-14 | 2 | Nut-HF |
| 13 | 104-8300 | 2 | Nut-HF, NI | 36 | 68-0090 | 1 | Screw-Adjusting |
| 14 | 104-2250-01 | 1 | Skid-Side | 37 | 9114524 | 1 | Bolt-TAP, HH |
| 15 | 104-8301 | 26 | Nut-HF, NI | 38 | 107938 | 1 | Spring-Extension |
| 16 | 131-1244 | 1 | Plate-Spindle | 39 | 32128-26 | 2 | Nut-Flange |
| 16:2 | 100-6578 | 1 | Decal-Danger | 40 | 9136144 | 1 | Screw-HWHTF |
| 17 | 3256-3 | 2 | Washer-Flat | 41 | 70-1160 | 1 | Washer |
| 18 | 3290-343 | 4 | Pin-Hair | 49 | 32151-72 | 2 | Ring-Retaining |
| 19 | 132-6150-01 | 2 | Bracket-Caster | | | | |

Left Deck Discharge Chamber and Cover Assembly



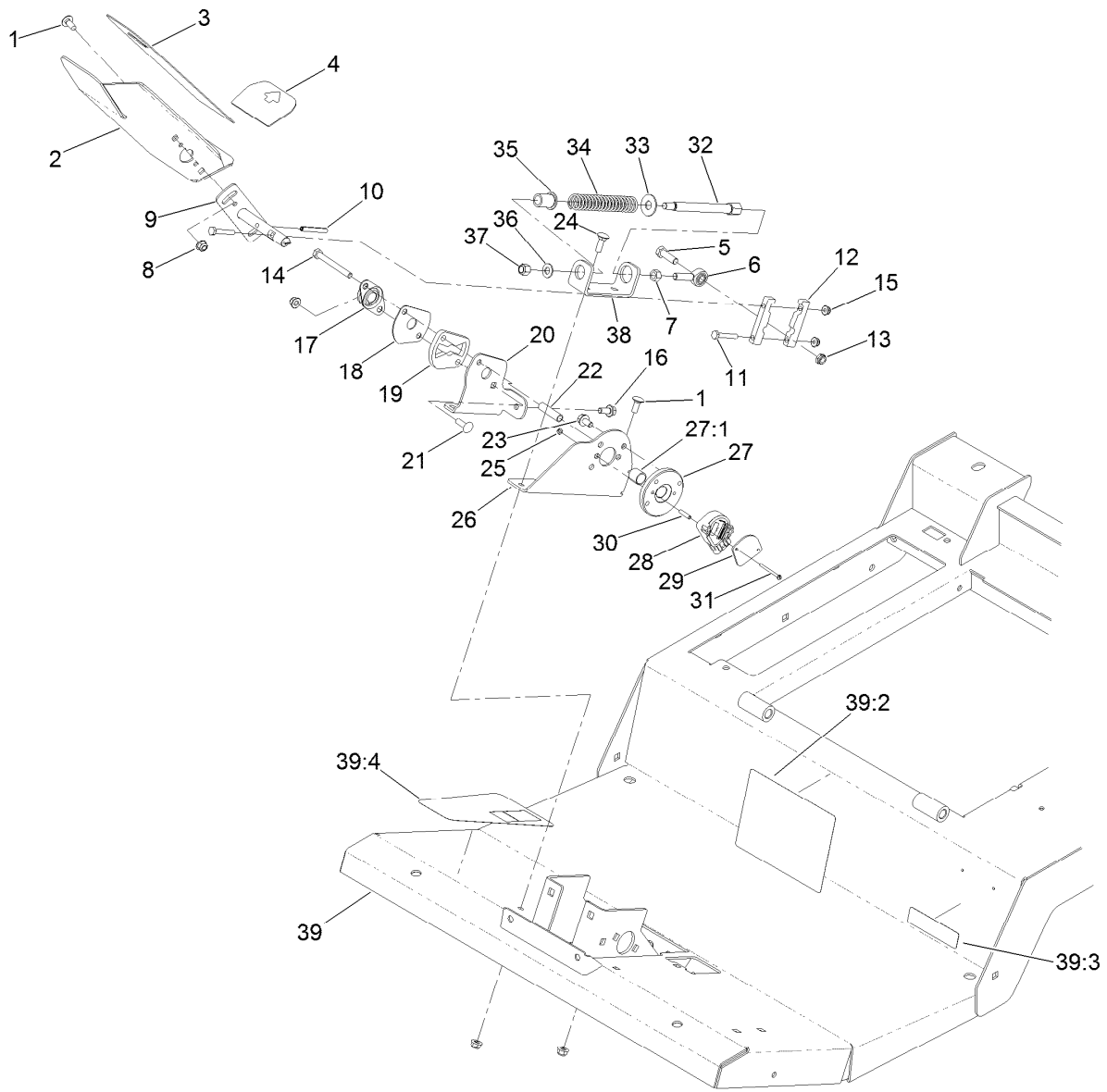
Left Deck Discharge Chamber and Cover Assembly (continued)

| <i>Ref.</i> | <i>Part Number</i> | <i>Qty.</i> | <i>Description</i> | <i>Ref.</i> | <i>Part Number</i> | <i>Qty.</i> | <i>Description</i> |
|-------------|--------------------|-------------|--------------------|-------------|--------------------|-------------|----------------------|
| 1 | 130-2682-01 | 1 | Chamber-Outer | 9 | 74-5950 | 7 | Latch-Swell |
| 2 | 130-2683-01 | 1 | Chamber-Inner | 10 | 100-5669 | 1 | Cover-Motor, LH Deck |
| 3 | 3230-18 | 9 | Screw-CARR | 11 | 100-5664-03 | 1 | Plate-Cover, LH |
| 4 | 104-8300 | 9 | Nut-HF, NI | 12 | 100-5667-03 | 1 | Plate-Cover, LH Side |
| 5 | 3296-45 | 2 | Nut-Hex | 13 | 3234-1 | 3 | Screw-HHF |
| 6 | 29-4820 | 2 | Roller | 14 | 1-804254 | 7 | Nut-Lock, HH |
| 7 | 325-17 | 2 | Screw-HH | 17 | 3234-42 | 1 | Screw-HHF |
| 8 | 107-3154 | 3 | Nut-Push | 18 | 104-8301 | 1 | Nut-HF, NI |



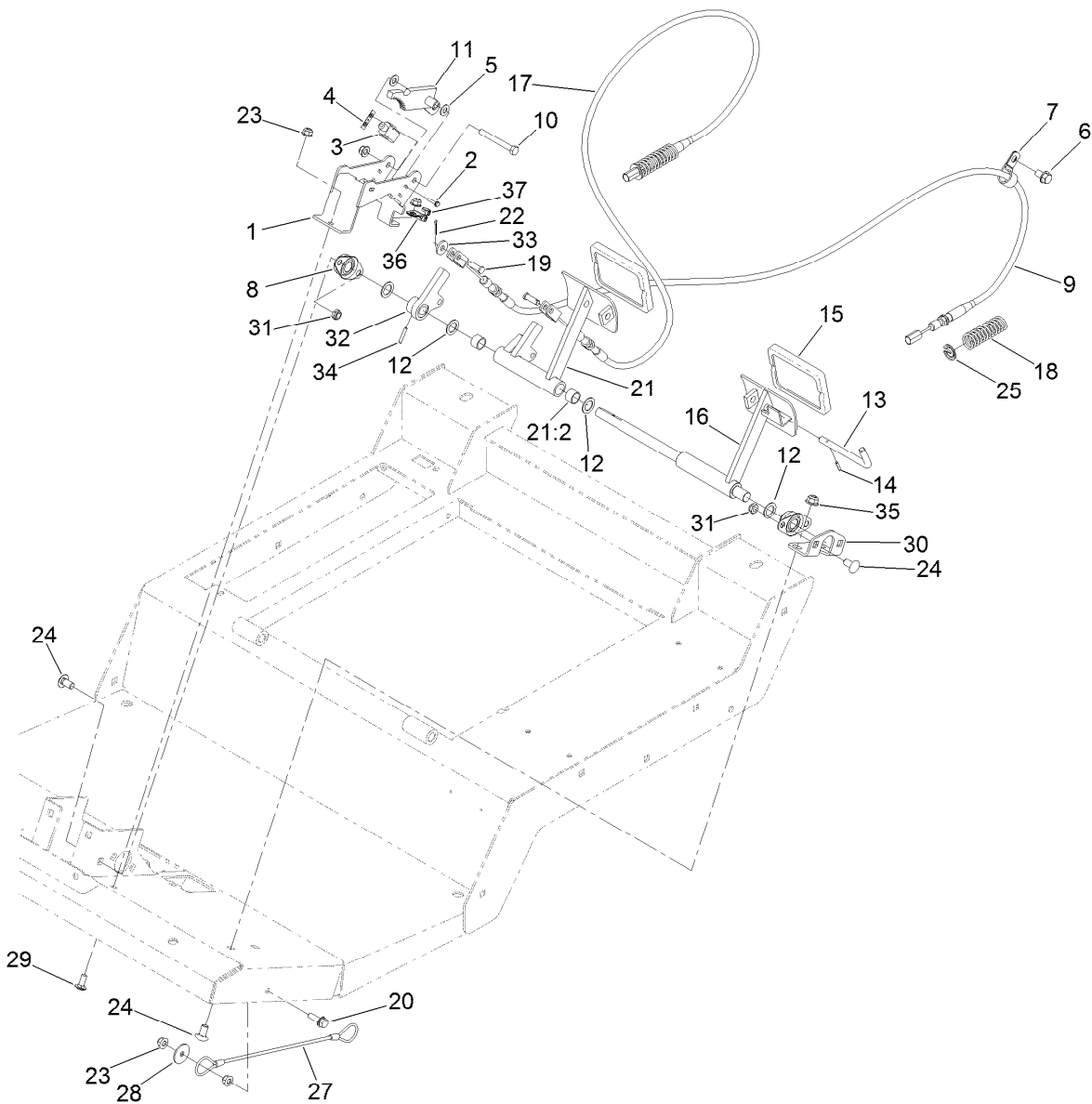
Traction Pedal and Platform Assembly

| Ref. | Part Number | Qty. | Description | Ref. | Part Number | Qty. | Description |
|------|-------------|------|-----------------------|------|-------------|------|-------------------------------|
| 1 | 3230-23 | 5 | Screw-CARR | 22 | 93-7960 | 1 | Spacer |
| 2 | 136-4368-01 | 1 | Pedal-Traction | 23 | 114-7728 | 2 | Screw-HF |
| 3 | 93-5347 | 1 | Abrasive-Pedal | 24 | 3230-2 | 2 | Bolt-CARR |
| 4 | 93-5368 | 1 | Abrasive-Pedal | 25 | 3296-9 | 2 | Nut-Hex |
| 5 | 323-7 | 1 | Screw-HH | 26 | 136-4384-01 | 1 | Bracket-Sender |
| 6 | 2411-36 | 1 | Bearing-End, Rod | 27 | 117-5445 | 1 | Bushing Hub ASM |
| 7 | 3219-3 | 1 | Nut-Hex | 27:1 | 95-7497 | 1 | Bushing-Wheel |
| 8 | 104-8300 | 9 | Nut-HF, NI | 28 | 114-5609 | 1 | Sensor-Position |
| 9 | 131-2245 | 1 | Shaft-Pedal, Traction | 29 | 114-5595 | 1 | Plate-Capture |
| 10 | 32121-78 | 1 | Pin-Roll | 30 | 114-5608 | 2 | Spacer-Standoff |
| 11 | 321-37 | 2 | Screw-HH | 31 | 32105-25 | 2 | Screw-SHH |
| 12 | 117-5459 | 2 | Block-Clamp | 32 | 117-5446 | 1 | Shaft-Spring |
| 13 | 3296-59 | 1 | Nut-Lock, NI | 33 | 3256-5 | 1 | Washer-Flat |
| 14 | 322-14 | 1 | Screw-HH | 34 | 84-9100 | 1 | Spring |
| 15 | 104-7201 | 2 | Nut-HF | 35 | 92-7610 | 1 | Retainer-Spring |
| 16 | 3234-47 | 1 | Screw-HHF | 36 | 3256-24 | 1 | Washer-Flat |
| 17 | 256-236 | 1 | Bearing-Mount, Flange | 37 | 3296-6 | 1 | Nut-Lock |
| 18 | 117-5455 | 1 | Plate-Cover | 38 | 131-2252-01 | 1 | Bracket-Spring |
| 19 | 117-5454 | 1 | Plate-Butterfly | 39 | 132-6251 | 1 | Platform ASM |
| 20 | 131-2250-01 | 1 | Bracket-Butterfly | 39:2 | 114-0846 | 1 | Decal-Instructions, Operating |
| 21 | 3230-22 | 1 | Screw-CARR | | | | |



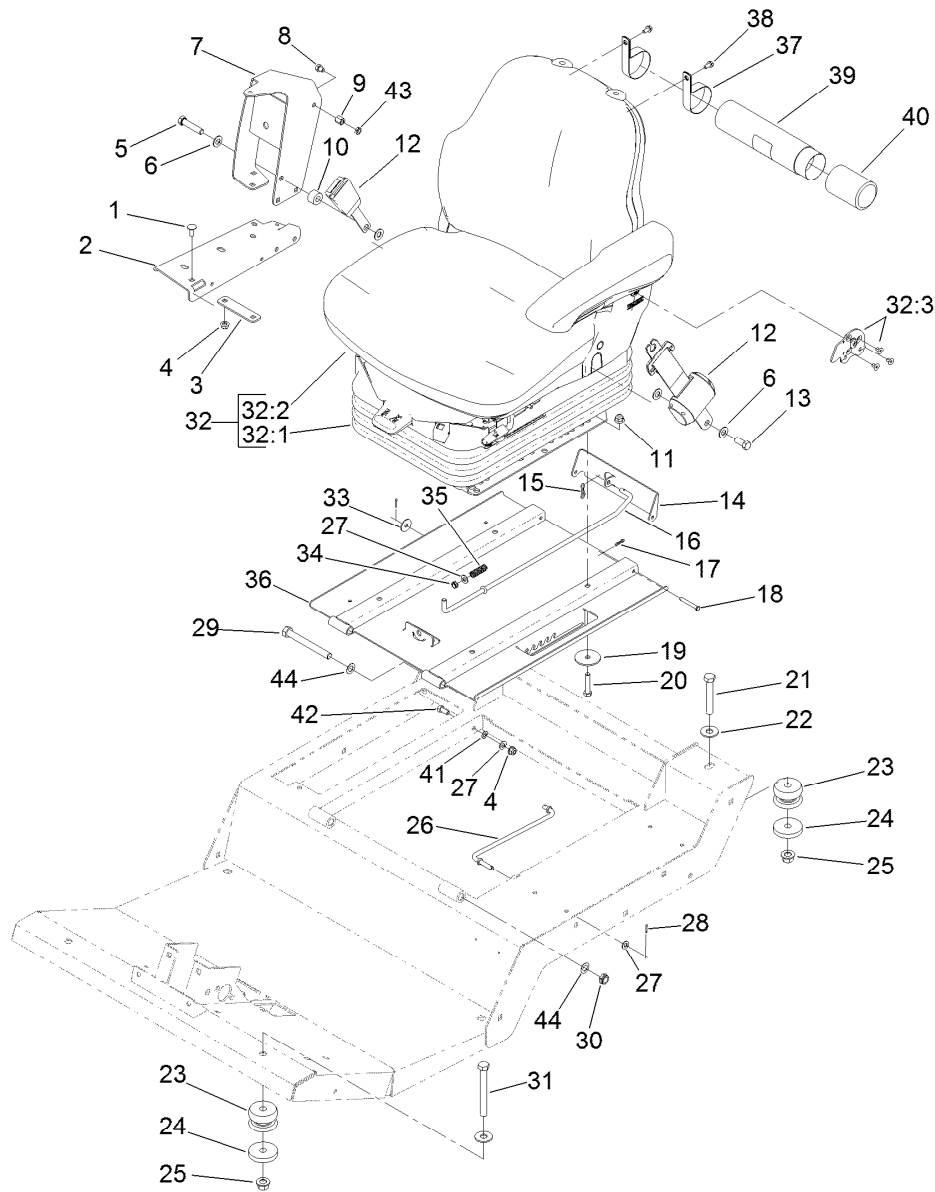
Traction Pedal and Platform Assembly (continued)

| <i>Ref.</i> | <i>Part Number</i> | <i>Qty.</i> | <i>Description</i> |
|-------------|--------------------|-------------|-----------------------|
| 39:3 | 117-2718 | 1 | Decal-Arrester, Spark |
| 39:4 | 114-0849 | 1 | Decal-Pedal, Traction |



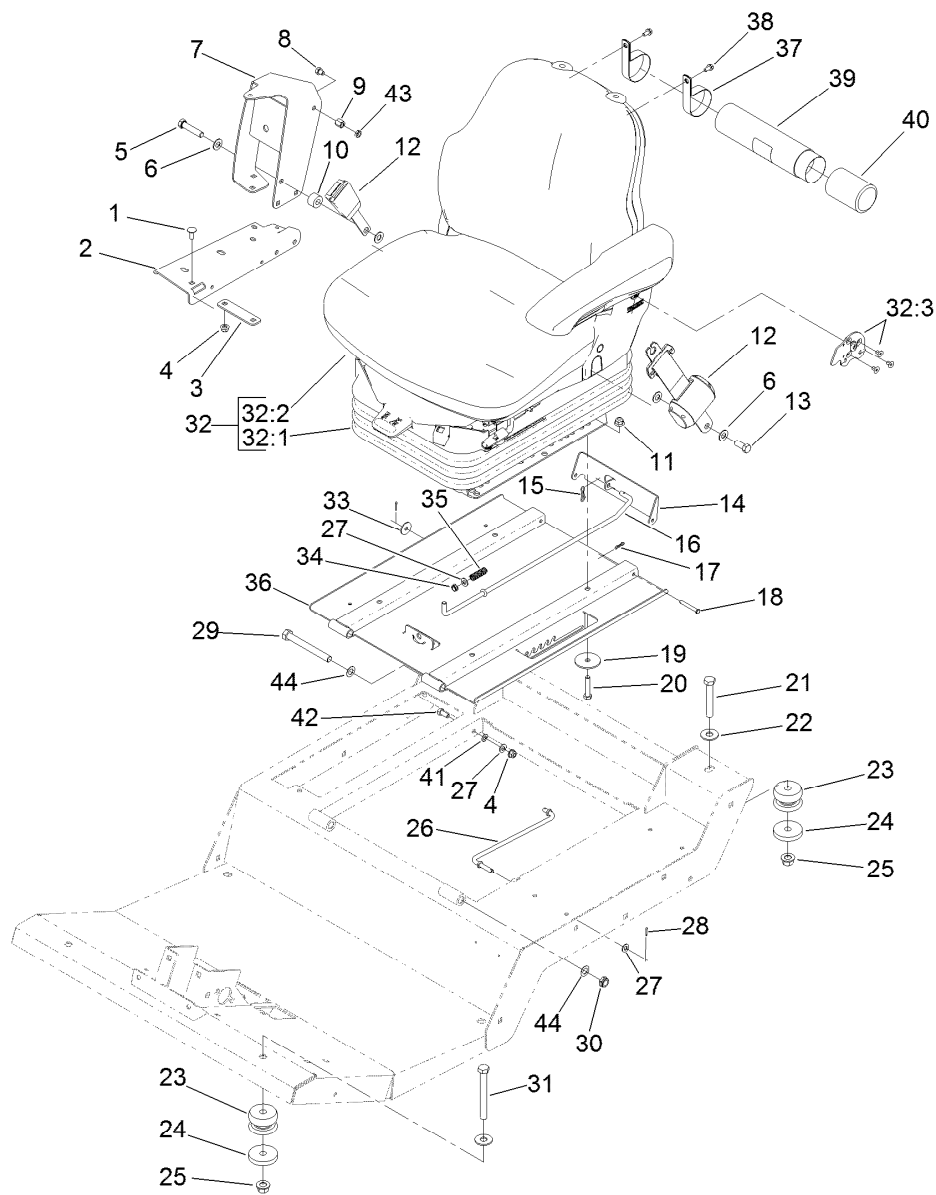
Brake Pedal Assembly

| Ref. | Part Number | Qty. | Description | Ref. | Part Number | Qty. | Description |
|------|-------------|------|-----------------------|------|-------------|------|------------------|
| 1 | 132-6259-03 | 1 | Mount-Switch | 20 | 3234-29 | 1 | Screw-HHF |
| 2 | 117-5458 | 4 | Screw-HHF | 21 | 132-6252 | 1 | Pedal-Brake, RH |
| 3 | 99-3410 | 2 | Switch | 21:2 | 256-42 | 2 | Bushing |
| 4 | 108-9824 | 2 | Nut-Switch | 22 | 3272-6 | 2 | Pin-Cotter |
| 5 | 3256-23 | 2 | Washer-Plain | 23 | 104-8300 | 5 | Nut-HF, NI |
| 6 | 32144-69 | 2 | Screw-HWHTF | 24 | 3231-21 | 6 | Screw-CARR |
| 7 | 2412-4 | 2 | Clamp-R | 25 | 94-3050 | 2 | Plate-Spring |
| 8 | 256-236 | 2 | Bearing-Mount, Flange | 27 | 110-4896 | 1 | Lanyard |
| 9 | 120-8899 | 1 | Cable-Brake, LH | 28 | 3256-57 | 1 | Washer-Flat |
| 10 | 322-13 | 1 | Screw-HH | 29 | 3230-23 | 2 | Screw-CARR |
| 11 | 132-6290-03 | 1 | Rack | 30 | 132-6247-01 | 1 | Mount-Bearing |
| 12 | 3256-69 | 4 | Washer-Flat | 31 | 3296-59 | 4 | Nut-Lock, NI |
| 13 | 63-7880 | 1 | Pin-Latch, Brake | 32 | 132-6229 | 1 | Arm-Cable, Brake |
| 14 | 32121-50 | 1 | Pin-Spring | 33 | 4-2390 | 2 | Washer-Flat |
| 15 | 93-8742 | 2 | Footpad-Brake | 34 | 32121-125 | 1 | Pin-Spring |
| 16 | 132-6288-01 | 1 | Pedal-Brake, LH | 35 | 104-8301 | 2 | Nut-HF, NI |
| 17 | 120-8898 | 1 | Cable-Brake, RH | 36 | 88-7970 | 1 | Clip |
| 18 | 94-3088 | 2 | Spring-Compression | 37 | 1-303287 | 2 | Tie-Cable |
| 19 | 120-9694 | 2 | Pin-Clevis | | | | |



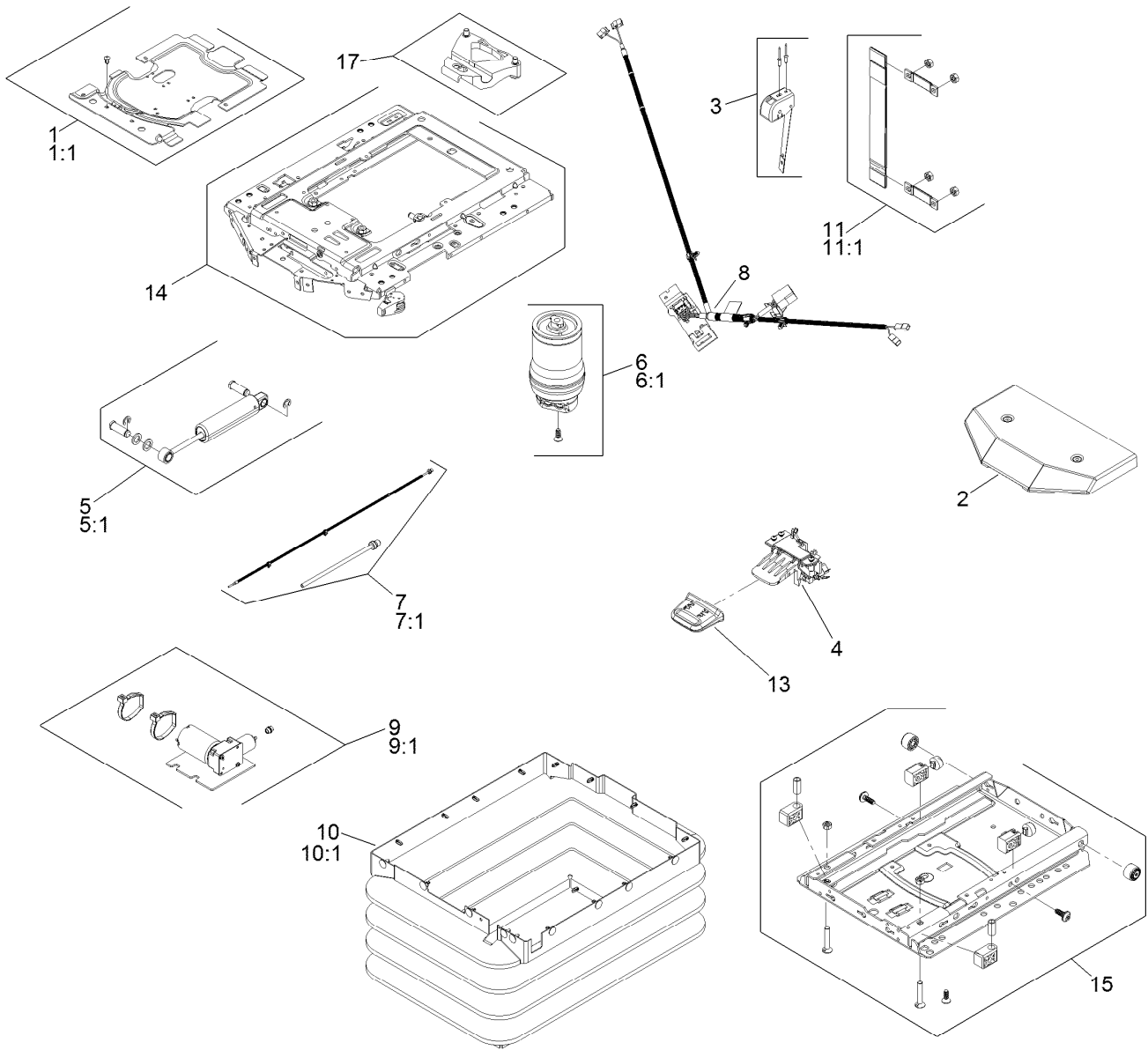
Seat Base and Seat Assembly

| Ref. | Part Number | Qty. | Description | Ref. | Part Number | Qty. | Description |
|------|-------------|------|----------------------|------|-------------|------|--------------------------|
| 1 | 3230-23 | 6 | Screw-CARR | 22 | 3256-6 | 4 | Washer-Flat |
| 2 | 119-0000-03 | 1 | Channel-Support | 23 | 110-5954 | 4 | Mount-Center, Bonded |
| 3 | 112-7449-03 | 1 | Bracket-Support | 24 | 115-5519 | 4 | Washer-Plain |
| 4 | 104-8300 | 7 | Nut-HF, NI | 25 | 99-5107 | 4 | Nut-Lock |
| 5 | 3212-8 | 1 | Screw-HH | 26 | 93-5338 | 1 | Rod-Prop |
| 6 | 3256-25 | 4 | Washer-Flat | 27 | 3256-23 | 3 | Washer-Plain |
| 7 | 117-4798-03 | 1 | Arm-Support | 28 | 3272-5 | 2 | Pin-Cotter |
| 8 | 108-8646 | 1 | Screw-HH, Lock | 29 | 325-18 | 2 | Screw-HH |
| 9 | 112-7405 | 1 | Nut-Hex, Coupling | 30 | 3296-45 | 2 | Nut-Hex |
| 10 | 17-7190 | 1 | Spacer-Finger | 31 | 702093 | 2 | Screw-HH |
| 11 | 104-8301 | 4 | Nut-HF, NI | 32 | 130-2701 | 1 | Seat And Suspension ASM |
| 12 | 110-0413 | 1 | Seatbelt-Retractable | 32:1 | 130-2702 | 1 | Air Ride Seat Suspension |
| 13 | 3212-4 | 1 | Screw-HH | 32:2 | 117-5676 | 1 | Premium Seat ASM |
| 14 | 120-9017-03 | 1 | Latch-Seat | 32:3 | 132-1304 | 1 | Backrest Adjustment Kit |
| 15 | 119-1415 | 1 | Pin-Cotter, Locking | 33 | 3256-82 | 1 | Washer-Flat |
| 16 | 120-9018 | 1 | Rod-Latch | 34 | 5979 | 1 | Bushing-Nyliner |
| 17 | 119-1414 | 2 | Pin-Cotter, Locking | 35 | 95-1821-03 | 1 | Spring-Compression |
| 18 | 283-57 | 2 | Pin-Clevis | 36 | 130-6019-03 | 1 | Plate-Seat |
| 19 | 83-1040 | 4 | Washer-Flat | 37 | 2412-133 | 2 | Clamp-R |
| 20 | 323-9 | 4 | Screw-HH | 38 | 32104-116 | 2 | Screw-HWHTF |
| 21 | 112-7264 | 2 | Screw-HH | 39 | 104-7050 | 1 | Tube-Manual |



Seat Base and Seat Assembly (continued)

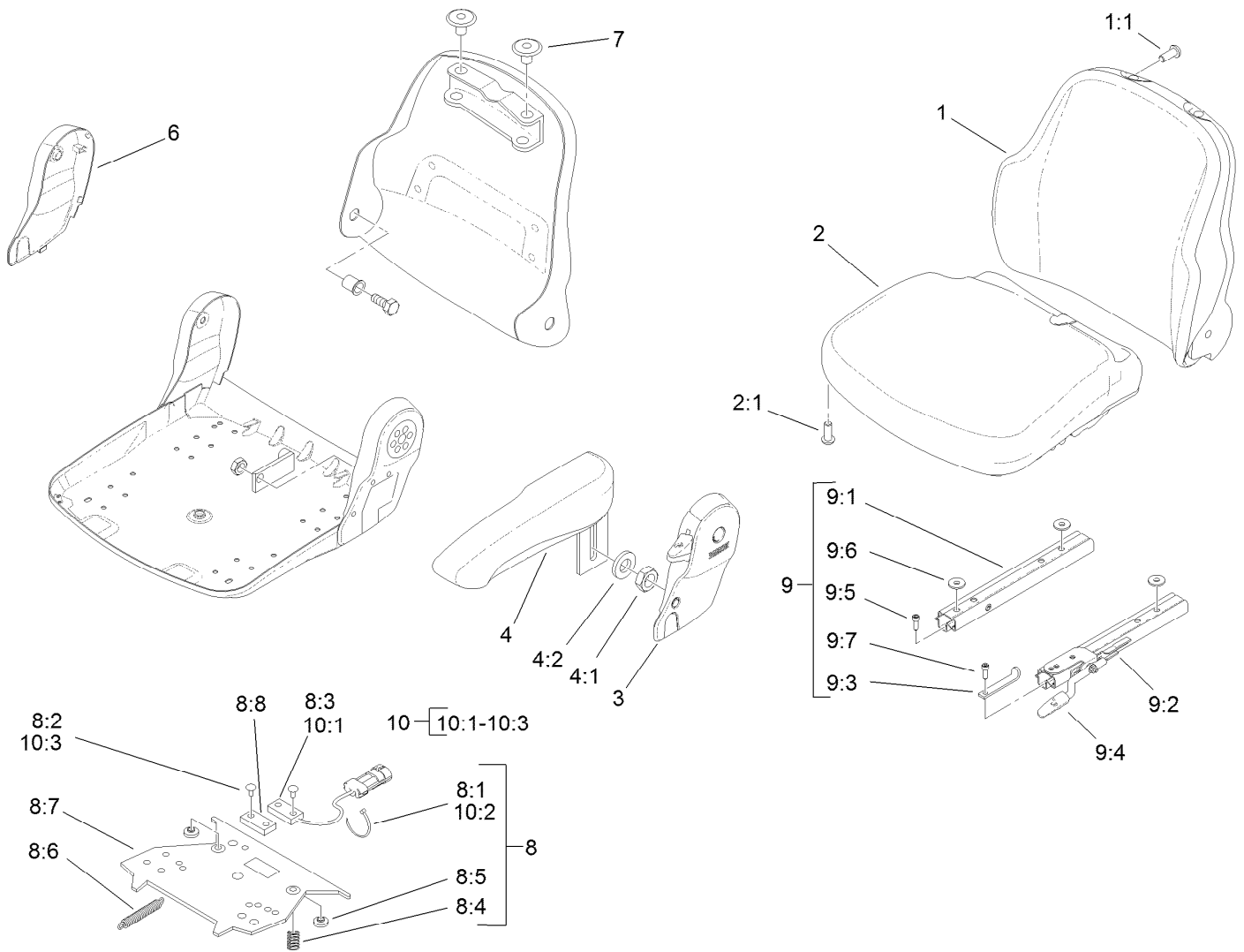
| <i>Ref.</i> | <i>Part Number</i> | <i>Qty.</i> | <i>Description</i> | <i>Ref.</i> | <i>Part Number</i> | <i>Qty.</i> | <i>Description</i> |
|-------------|--------------------|-------------|--------------------|-------------|--------------------|-------------|--------------------|
| 40 | 104-7048 | 1 | Cap-Housing | 43 | 117-4059 | 1 | Nut-Hex |
| 41 | 3255-8 | 1 | Washer-Lock | 44 | 36-4780 | 4 | Washer-Plain |
| 42 | 322-3 | 1 | Screw-HH | | | | |



Seat Suspension Assembly No. 130-2702

| Ref. | Part Number | Qty. | Description | Ref. | Part Number | Qty. | Description |
|------|-------------|------|--------------------|------|-------------|------|-------------------------|
| 1 | 130-2709 | 1 | Cover ASM | 9 | 130-2719 | 1 | Compressor |
| 1:1 | 130-2710 | 1 | Cover Kit | 9:1 | 130-2720 | 1 | Compressor Kit |
| 2 | 108-8027 | 1 | Cover | 10 | 130-2721 | 1 | Bellows ASM |
| 3 | 130-2711 | 1 | Control-Level | 10:1 | 130-2722 | 1 | Bellows Kit |
| 4 | 108-8029 | 1 | Valve-Control, Air | 11 | 130-2723 | 1 | Tether |
| 5 | 130-2712 | 1 | Shock Absorber ASM | 11:1 | 130-2724 | 1 | Tether Kit |
| 5:1 | 130-2713 | 1 | Shock Absorber Kit | 12 | 130-2725 | 1 | Wear Parts Kit ● |
| 6 | 130-2714 | 1 | Air Spring ASM | 13 | 130-2726 | 1 | Handle |
| 6:1 | 130-2715 | 1 | Air Spring Kit | 14 | 130-2727 | 1 | Upper Suspension Kit |
| 7 | 130-2716 | 1 | Air Tube ASM | 15 | 130-2728 | 1 | Lower Suspension Kit |
| 7:1 | 130-2717 | 1 | Air Tube Kit | 16 | 130-2729 | 1 | Adjuster Mounting Kit ● |
| 8 | 130-2718 | 1 | Harness-Wire | 17 | 130-2730 | 1 | Limiter-Thrust |

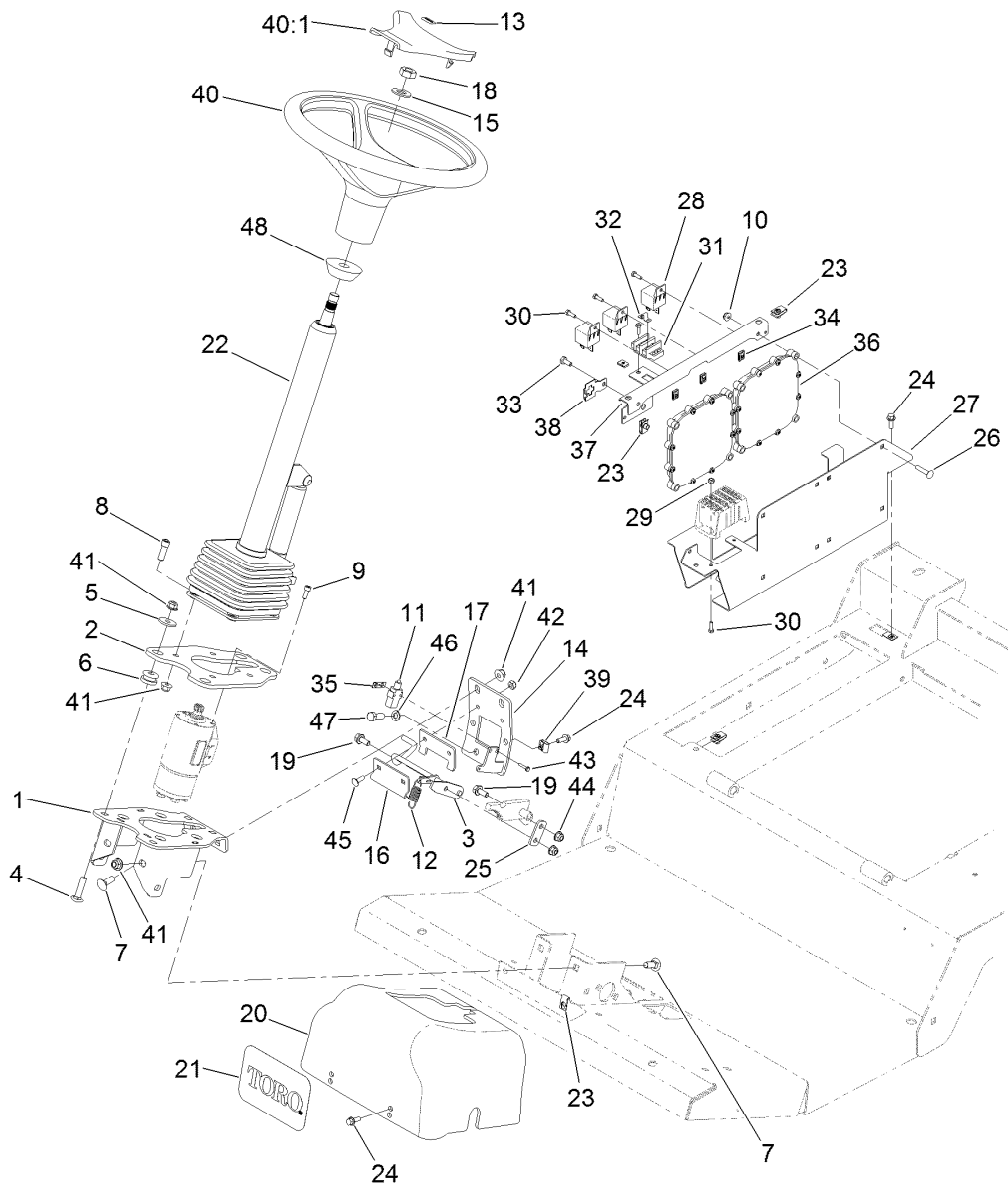
● Not illustrated



Vinyl Premium Seat Assembly No. 117-5676

| Ref. | Part Number | Qty. | Description | Ref. | Part Number | Qty. | Description |
|------|-------------|------|-------------------------|------|-------------|------|-----------------------|
| 1 | 108-8016 | 1 | Backrest Cushion ASM | 8:6 | | 1 | Spring-Extension ● |
| 1:1 | 119-7742 | 4 | Screw-Cushion | 8:7 | | 1 | Plate-Mounting ● |
| 2 | 108-8017 | 1 | Seat Cushion ASM | 8:8 | | 1 | Magnet ● |
| 2:1 | 119-7742 | 3 | Screw-Cushion | 9 | 108-8025 | 1 | Adjustment Rail Set |
| 3 | 108-8018 | 1 | Cover-Armrest | 9:1 | | 1 | Rail-Adjustment, RH ● |
| 4 | 108-8019 | 1 | LH Armrest ASM | 9:2 | | 1 | Rail-Adjustment, LH ● |
| 4:1 | 82-9650 | 1 | Nut | 9:3 | | 1 | Stop-Rail ● |
| 4:2 | 107-1198 | 1 | Washer | 9:4 | | 1 | Handle ● |
| 6 | 108-8021 | 1 | Cover-Armrest | 9:5 | | 3 | Screw ● |
| 7 | 108-8022 | 2 | Cover-Black | 9:6 | | 3 | Washer ● |
| 8 | 108-8024 | 1 | Switch Kit | 9:7 | | 1 | Screw ● |
| 8:1 | | 3 | Wire Tie ● | 10 | 110-6189 | 1 | Switch Kit |
| 8:2 | | 4 | Rivet ● | 10:1 | | 1 | Switch ● |
| 8:3 | | 1 | Sensor-Seat Switch ● | 10:2 | | 3 | Wire Tie ● |
| 8:4 | | 2 | Spring-Compression ● | 10:3 | | 2 | Rivet ● |
| 8:5 | | 2 | Bumper-Pressure Plate ● | | | | |

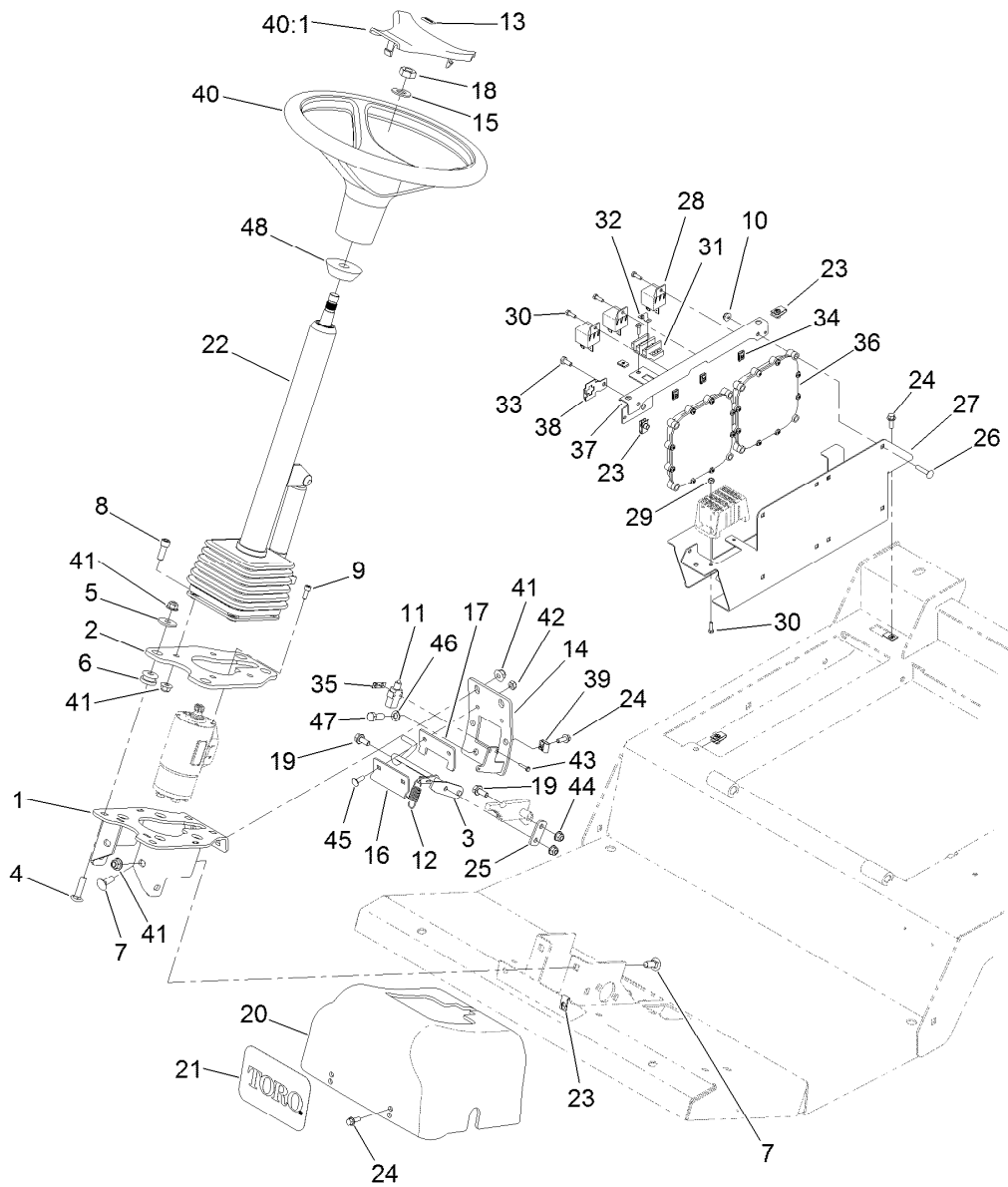
● Not serviced separately



Steering and Controller Assembly

| Ref. | Part Number | Qty. | Description |
|------|-------------|------|---------------------|
| 1 | 132-6260-03 | 1 | Mount |
| 2 | 132-6266-03 | 1 | Plate-Mount, Column |
| 3 | 132-6285 | 1 | Rod-Brake |
| 4 | 3231-26 | 4 | Screw-CARR |
| 5 | 63-8410 | 4 | Washer |
| 6 | 63-9750 | 4 | Mount |
| 7 | 3231-2 | 6 | Bolt-CARR |
| 8 | 3274-7 | 4 | Screw-HSH |
| 9 | 105-2409 | 4 | Screw-HSH |
| 10 | 104-7201 | 8 | Nut-HF |
| 11 | 99-3410 | 1 | Switch |
| 12 | 119-7676 | 1 | Spring-Extension |
| 13 | 98-1459 | 1 | Decal |
| 14 | 132-6225-03 | 1 | Support-Rear |
| 15 | 3256-27 | 1 | Washer-Flat |
| 16 | 132-6283 | 1 | Plate-Brake |
| 17 | 132-6284 | 1 | Plate-Brake |
| 18 | 3296-33 | 1 | Nut-Lock, NI |
| 19 | 3234-47 | 2 | Screw-HHF |
| 20 | 132-6244 | 1 | Cover-Steering |
| 21 | 105-1217 | 1 | Decal |

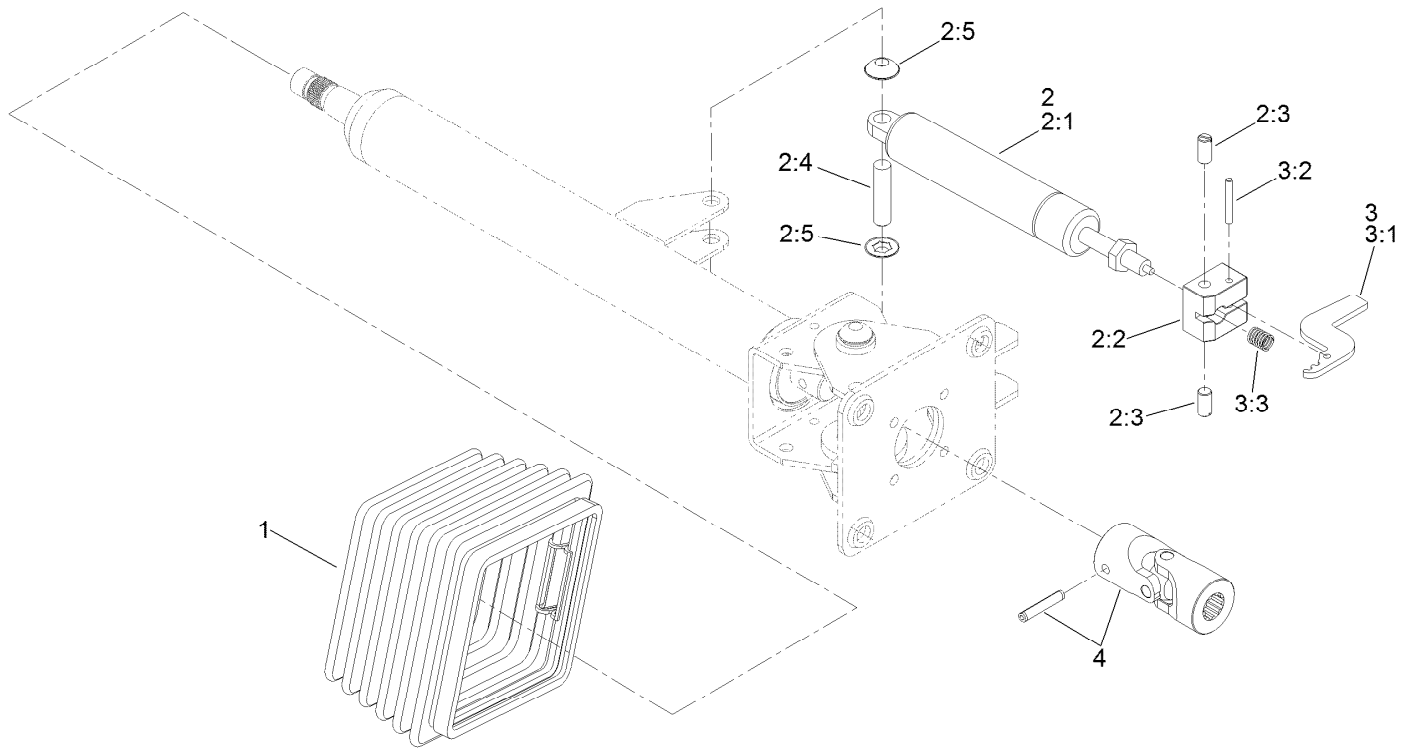
| Ref. | Part Number | Qty. | Description |
|------|-------------|------|--------------------------|
| 22 | 132-6230 | 1 | Steering Tilt Column ASM |
| 23 | 107069 | 7 | Clip |
| 24 | 3234-4 | 6 | Screw-HHF |
| 25 | 119-0110 | 1 | Link-Brake |
| 26 | 3229-3 | 8 | Screw-CARR |
| 27 | 120-4093-03 | 1 | Mount-Power |
| 28 | 99-7435 | 3 | Relay |
| 29 | 3296-12 | 2 | Nut-Lock, NI |
| 30 | 3290-134 | 7 | Screw |
| 31 | 42862 | 1 | Block-Terminal, Ground |
| 32 | 42863 | 1 | Strip-Jumper |
| 33 | 321-3 | 1 | Screw-HH |
| 34 | 107-1013 | 5 | Nut-Speed |
| 35 | 108-9824 | 1 | Nut-Switch |
| 36 | 114-3321 | 2 | Controller-Tec |
| 37 | 120-4127-03 | 1 | Mount-Relay |
| 38 | 114-5502 | 1 | Clip-Fuse |
| 39 | 609900 | 2 | Nut-Speed |
| 40 | 98-1471 | 1 | Wheel-Steering |
| 40:1 | 98-1468 | 1 | Cover-Wheel, Steering |
| 41 | 104-8301 | 14 | Nut-HF, NI |



Steering and Controller Assembly (continued)

| Ref. | Part Number | Qty. | Description |
|------|-------------|------|--------------|
| 42 | 3296-16 | 2 | Nut-Lock, NI |
| 43 | 117-5458 | 2 | Screw-HHF |
| 44 | 104-8300 | 2 | Nut-HF, NI |
| 45 | 1-807512 | 2 | Bolt-CARR |

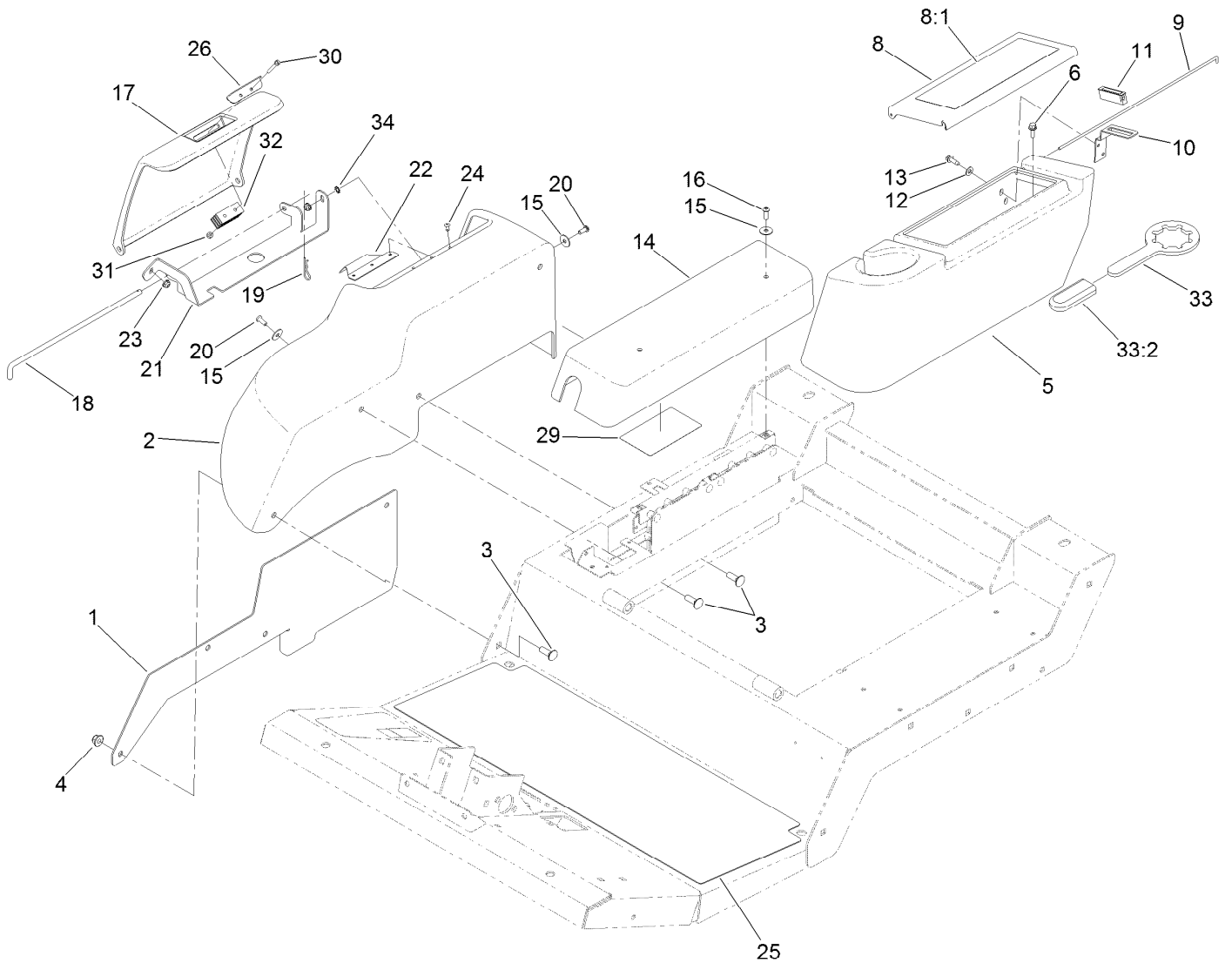
| Ref. | Part Number | Qty. | Description |
|------|-------------|------|-------------|
| 46 | 3253-21 | 2 | Washer-Lock |
| 47 | 323-6 | 2 | Screw-HH |
| 48 | 93-5429 | 1 | Collar-Foam |



Steering Column Assembly No. 132-6230

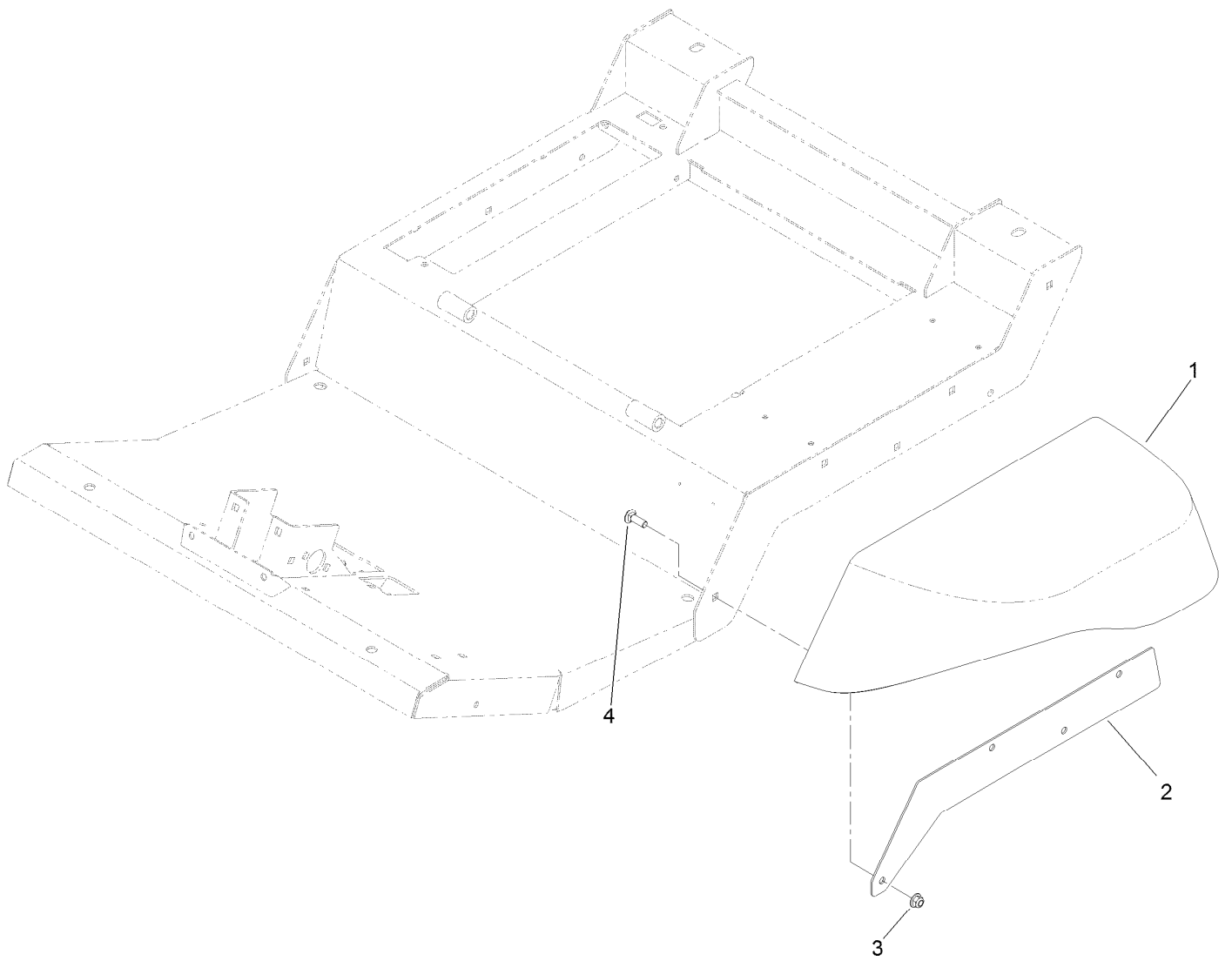
| Ref. | Part Number | Qty. | Description |
|------|-------------|------|----------------------|
| 1 | 110-6462 | 1 | Bellows-Rubber |
| 2 | 110-6463 | 1 | Cylinder Service Kit |
| 2:1 | | 1 | Cylinder-Gas ● |
| 2:2 | | 1 | Block-Pedal ● |
| 2:3 | | 2 | Bolt ● |
| 2:4 | | 1 | Pin ● |
| 2:5 | | 2 | Washer-Lock ● |
| 3 | 136-4385 | 1 | Pedal Service Kit |
| 3:1 | | 1 | Pedal ● |
| 3:2 | | 1 | Pin ● |
| 3:3 | | 1 | Spring ● |
| 4 | 120-6256 | 1 | Universal Joint Kit |

● Not serviced separately



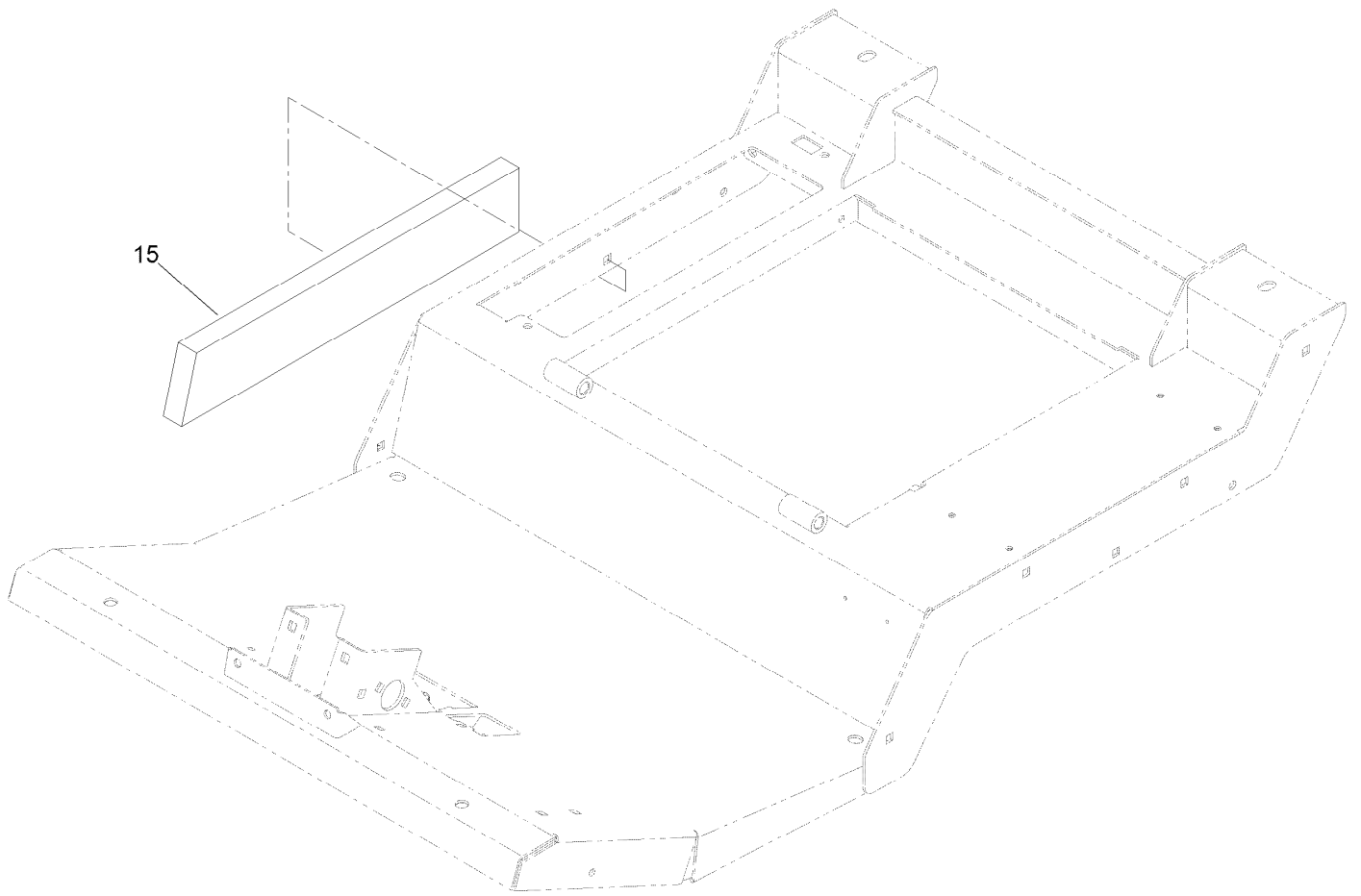
Fender, Tool Box and Cover Assembly

| Ref. | Part Number | Qty. | Description | Ref. | Part Number | Qty. | Description |
|------|-------------|------|--------------------|------|-------------|------|----------------------|
| 1 | 121-1579-03 | 1 | Plate-Fender, RH | 17 | 120-4115 | 1 | Cover-Battery |
| 2 | 120-4113 | 1 | Fender-RH | 18 | 121-1588 | 1 | Rod-Hinge |
| 3 | 3231-38 | 4 | Screw-CARR | 19 | 3290-467 | 1 | Pin-Hair |
| 4 | 104-8301 | 4 | Nut-HF, NI | 20 | 3274-31 | 2 | Screw-HSBH |
| 5 | 120-4125 | 1 | Housing-Tool Box | 21 | 121-1586-03 | 1 | Mount-Cover |
| 6 | 3234-4 | 4 | Screw-HHF | 22 | 127-3706 | 1 | Plate-Cover |
| 8 | 120-4124 | 1 | Tool Box Cover ASM | 23 | 104-7201 | 2 | Nut-HF |
| 8:1 | 117-2754 | 1 | Decal-Warning | 24 | 3269-23 | 3 | Rivet-Pop |
| 8:1 | 117-2766 | 1 | Decal-Warning, CE | 25 | 132-6226 | 1 | Tread-Foot, Abrasive |
| 9 | 120-4122 | 1 | Rod-Hinge | 26 | 127-3705 | 1 | Plate-Cover |
| 10 | 104-7545 | 1 | Bracket-Latch | 29 | 136-4436 | 1 | Decal-Fuses |
| 11 | 58-4250 | 1 | Catch-Magnetic | 30 | 32105-1 | 2 | Screw-SHH |
| 12 | 3256-22 | 2 | Washer-Flat | 31 | 3296-2 | 2 | Nut-Lock, NI |
| 13 | 32104-95 | 2 | Screw-HWH | 32 | 69-6260 | 1 | Magnet |
| 14 | 120-4126 | 1 | Cover-Controllers | 33 | 121-3874 | 1 | Wrench ASM |
| 15 | 87-6630 | 4 | Washer-Plain | 33:2 | 119-1846 | 1 | Grip |
| 16 | 3274-69 | 2 | Screw-HSBH | 34 | 3255-7 | 1 | Washer-Lock/EXT |



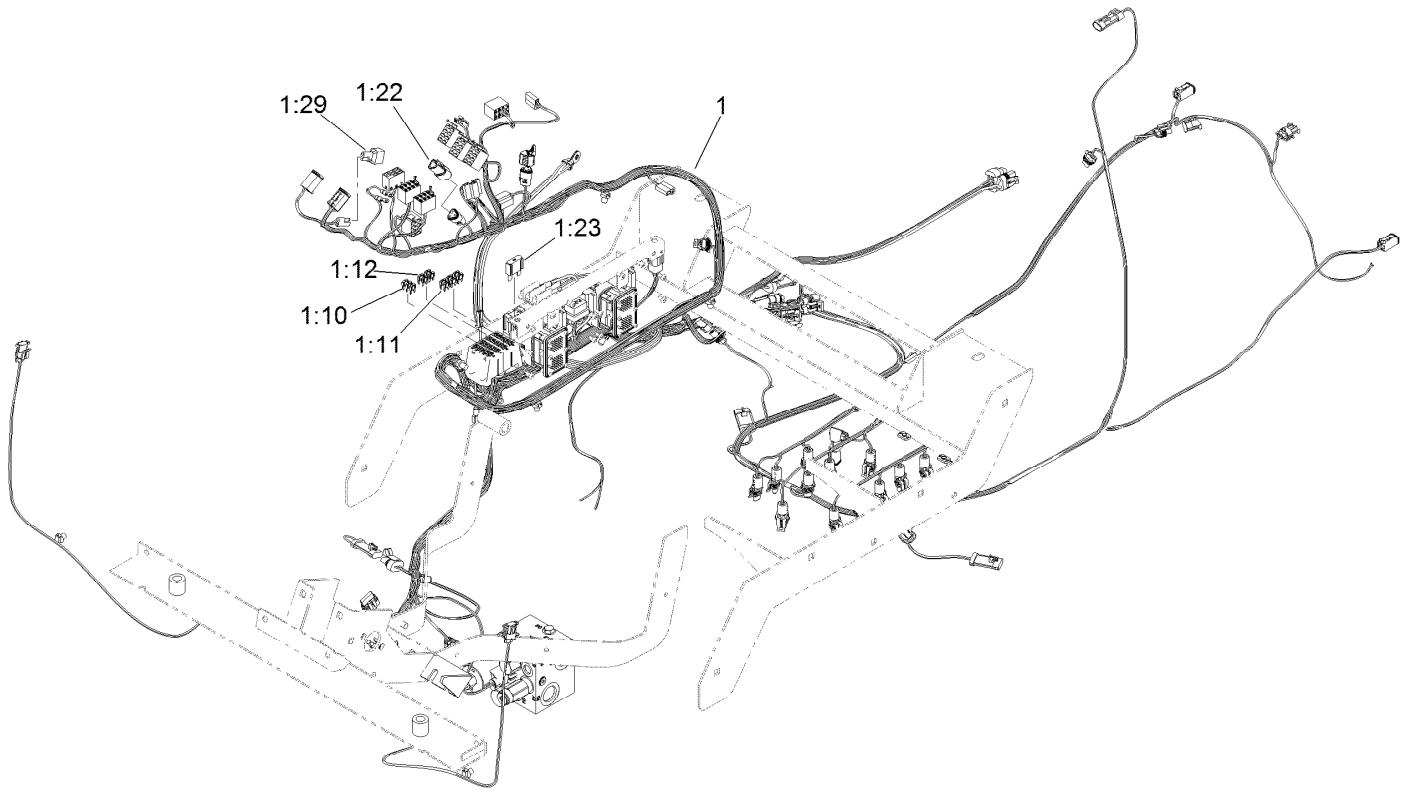
LH Fender Assembly

| <i>Ref.</i> | <i>Part Number</i> | <i>Qty.</i> | <i>Description</i> |
|-------------|--------------------|-------------|--------------------|
| 1 | 120-4114 | 1 | Fender-LH |
| 2 | 121-1580-03 | 1 | Plate-Fender, LH |
| 3 | 104-8301 | 4 | Nut-HF, NI |
| 4 | 3231-38 | 4 | Screw-CARR |



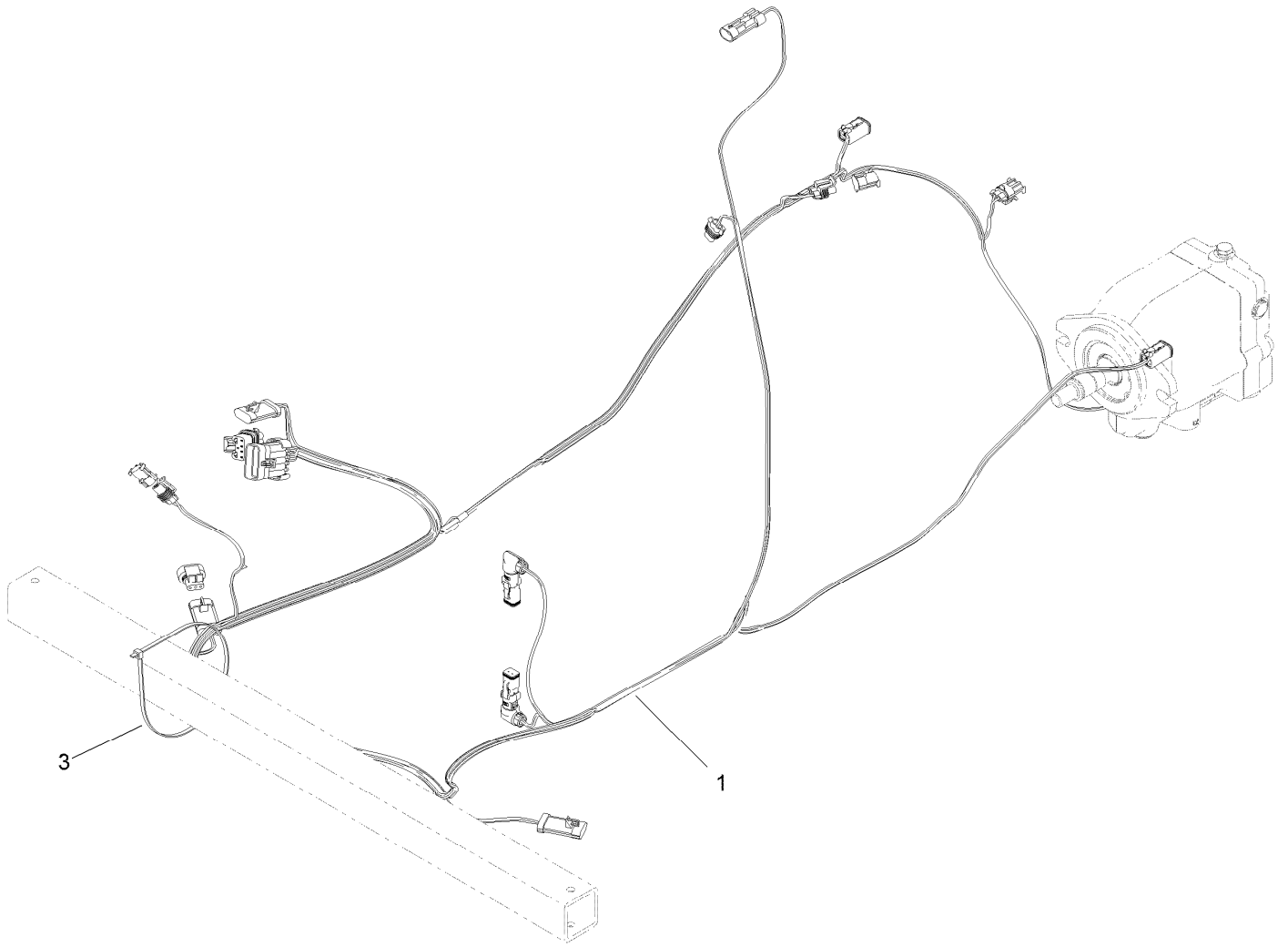
Acoustic Foam Assembly

| <i>Ref.</i> | <i>Part Number</i> | <i>Qty.</i> | <i>Description</i> |
|-------------|--------------------|-------------|--------------------|
| 15 | 127-3708 | 1 | Foam-Right |



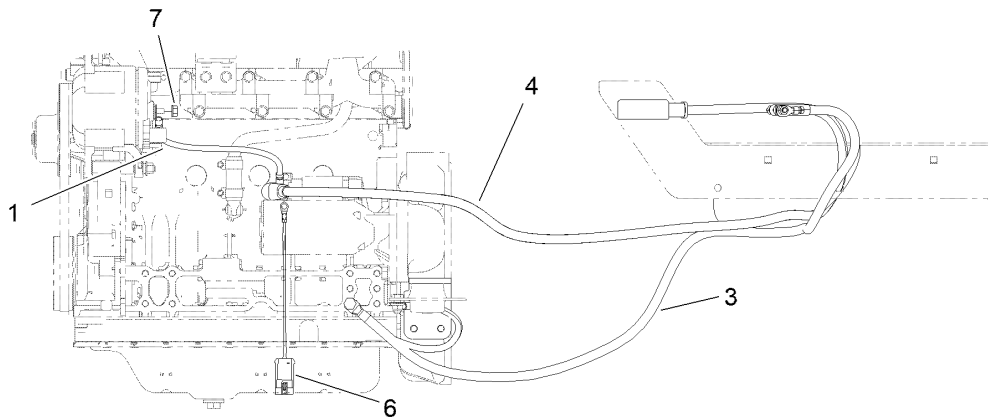
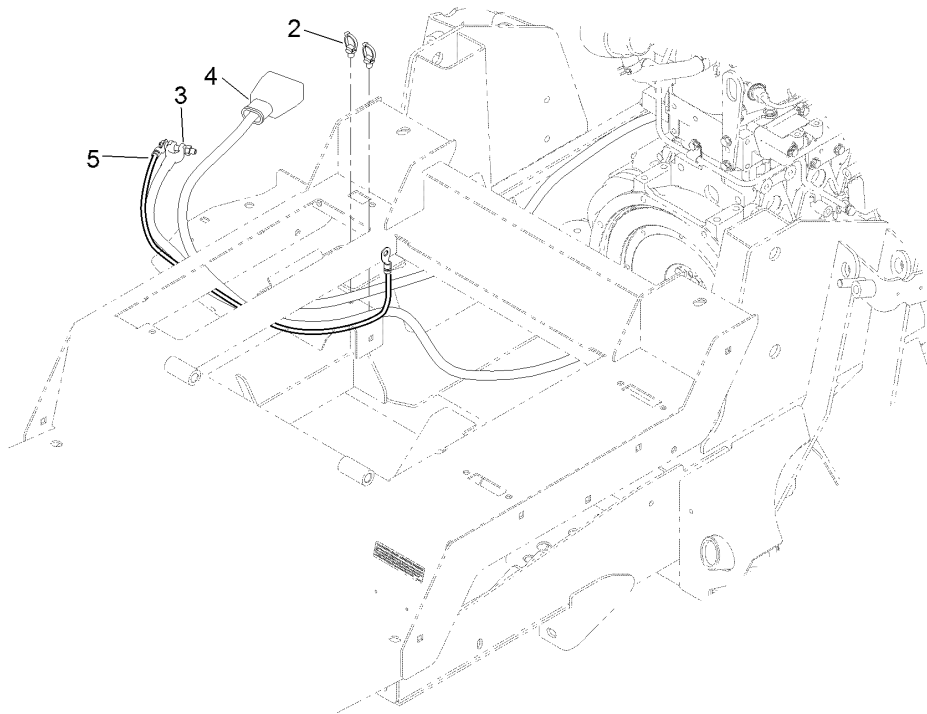
Platform Wire Harness and Fuse Assembly

| <i>Ref.</i> | <i>Part Number</i> | <i>Qty.</i> | <i>Description</i> |
|-------------|--------------------|-------------|--------------------------|
| 1 | 122-0973 | 1 | Harness-Wire, Platform |
| 1:10 | 121-8861 | 3 | Fuse-Mini Blade, 2 Amp |
| 1:11 | 121-8865 | 6 | Fuse-Mini Blade, 7.5 Amp |
| 1:12 | 121-8866 | 4 | Fuse-Mini Blade, 10 Amp |
| 1:22 | 32180-043 | 1 | Resistor-120 Ohm |
| 1:23 | 114-3342 | 1 | Fuse-Maxi, 60 Amp |
| 1:29 | 104-4022 | 1 | Resistor-75 Ohm |



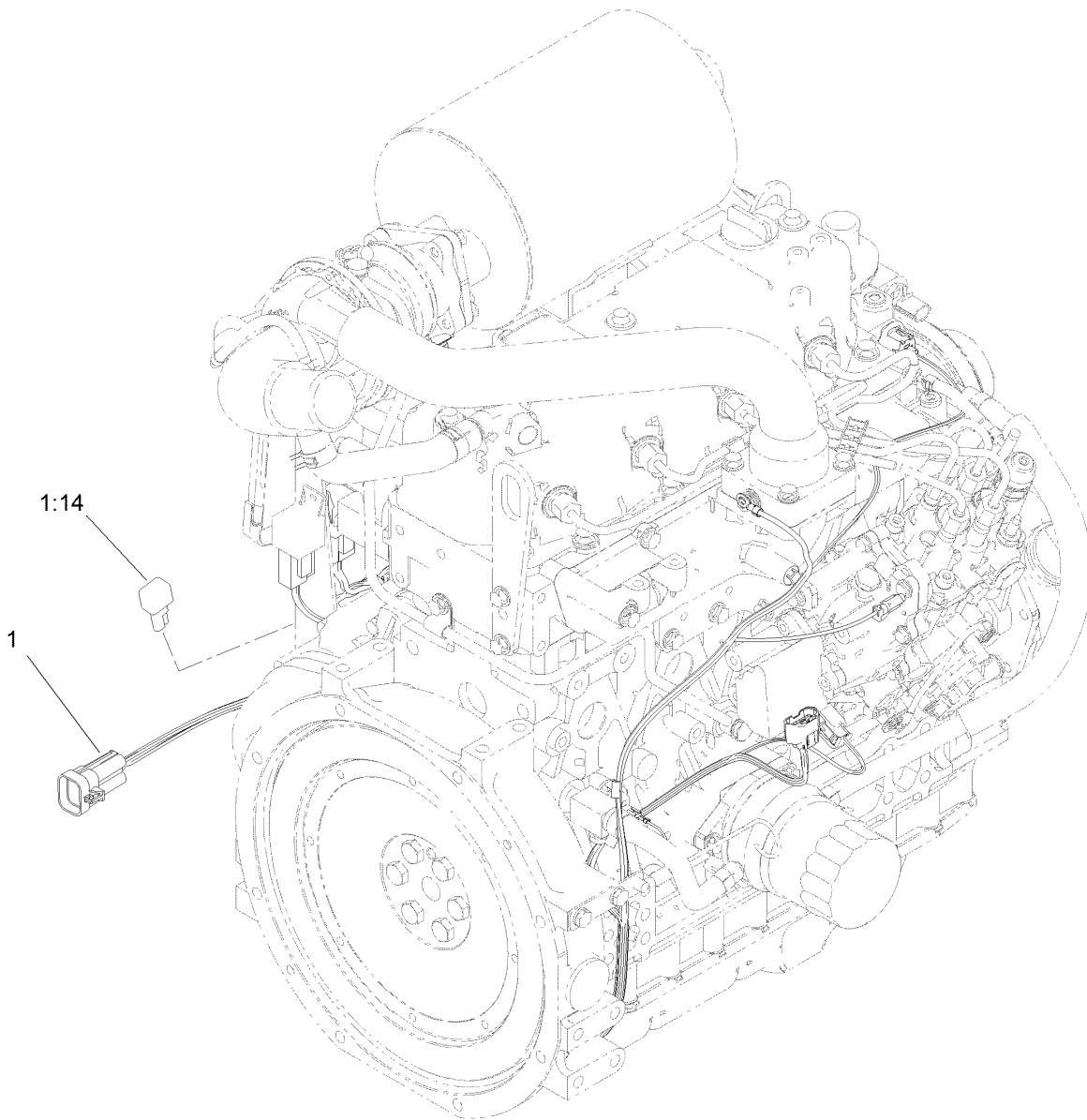
Rear Wire Harness Assembly

| <i>Ref.</i> | <i>Part Number</i> | <i>Qty.</i> | <i>Description</i> |
|-------------|--------------------|-------------|--------------------|
| 1 | 122-0974 | 1 | Harness-Wire, Rear |
| 3 | 3290-379 | 1 | Tie-Cable |



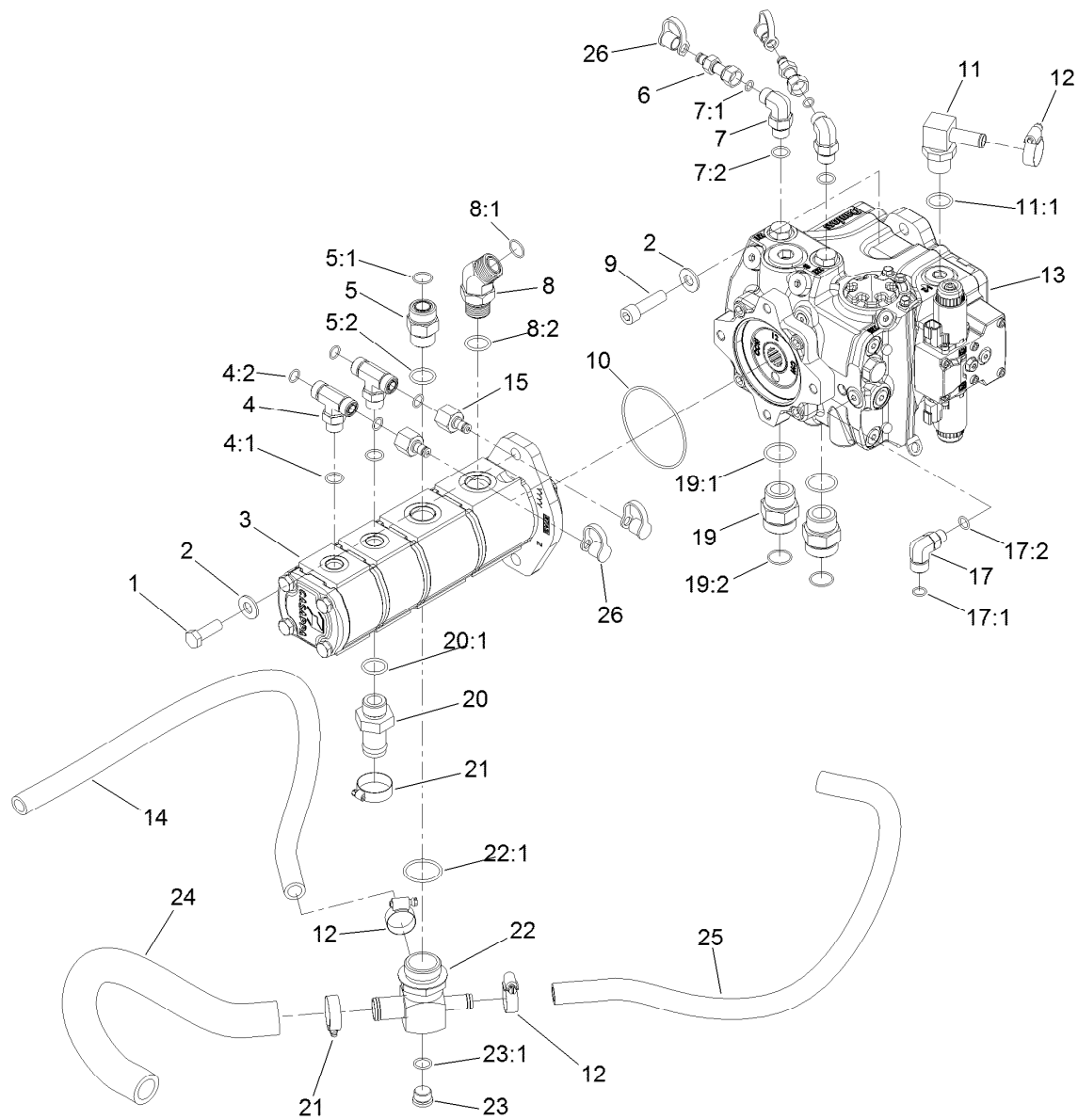
Battery Cable and Ground Assembly

| Ref. | Part Number | Qty. | Description |
|------|-------------|------|----------------------------|
| 1 | 122-0071 | 1 | Cable-Battery, Positive |
| 2 | 32180-030 | 2 | Clip-Tie |
| 3 | 121-8898 | 1 | Cable-Battery, Negative |
| 4 | 121-8897 | 1 | Cable-Battery, Positive |
| 5 | 54-3094 | 1 | Cable |
| 6 | 108-9470 | 1 | Harness-Wire, Fusible Link |
| 7 | 33004-00 | 2 | Nut-HF |



Engine Harness Assembly

| <i>Ref.</i> | <i>Part Number</i> | <i>Qty.</i> | <i>Description</i> |
|-------------|--------------------|-------------|----------------------|
| 1 | 119-4351 | 1 | Harness-Wire, Engine |
| 1:14 | 100-4918 | 1 | Diode |

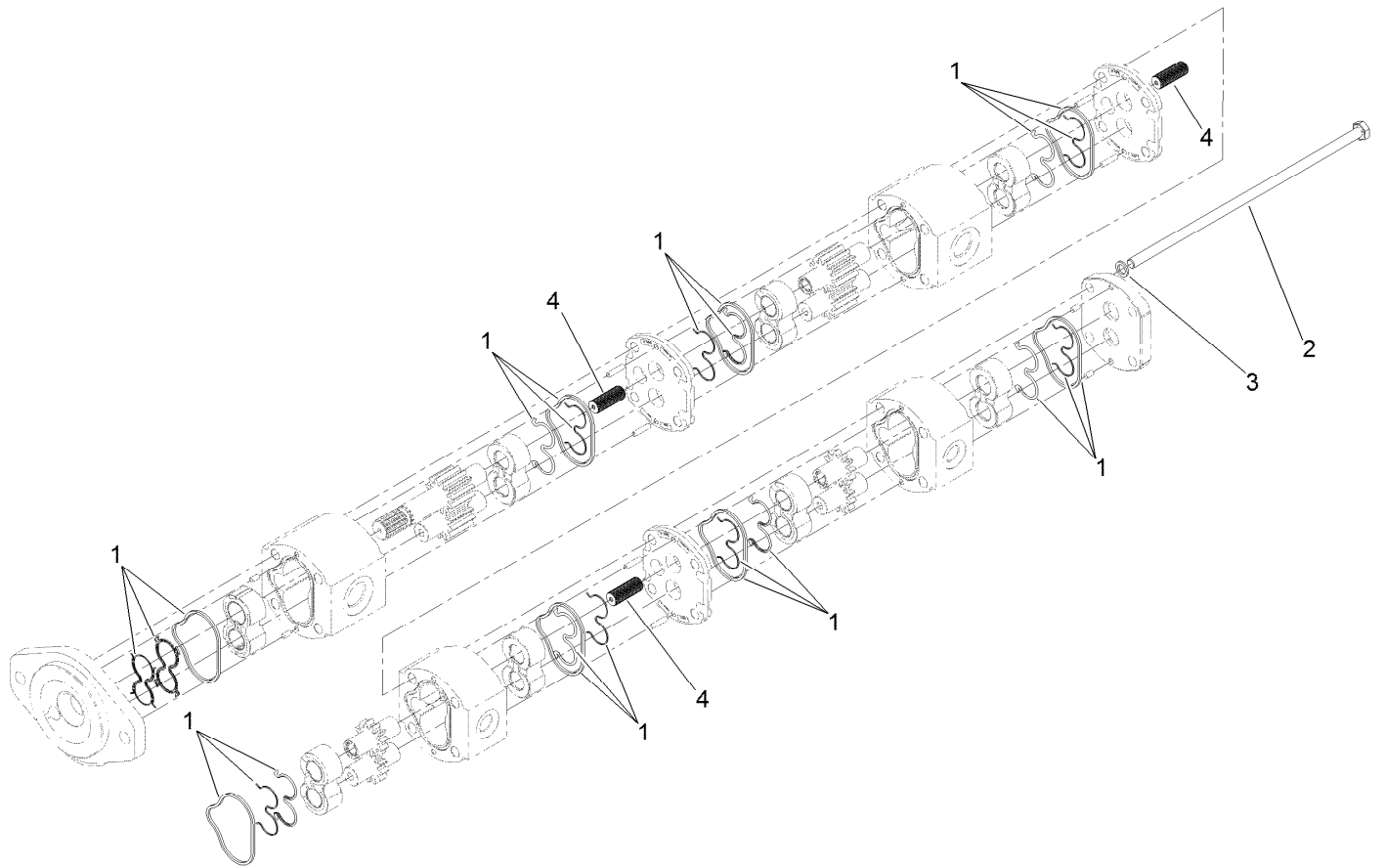


Piston Pump and Gear Pump Assembly

| Ref. | Part Number | Qty. | Description |
|------|-------------|------|-------------------------|
| 1 | 121-1525 | 2 | Screw-HH |
| 2 | 87-7270 | 4 | Washer-Thrust |
| 3 | 120-8904 | 1 | 4-Section Gear Pump ASM |
| 4 | 340-157 | 2 | Fitting-HYD, Tee |
| 4:1 | 237-79 | 1 | O-Ring |
| 4:2 | 237-30 | 2 | O-Ring |
| 5 | 340-9 | 1 | Fitting-STR |
| 5:1 | 237-58 | 1 | O-Ring |
| 5:2 | 237-81 | 1 | O-Ring |
| 6 | 86-5480 | 2 | Nipple-Test |
| 7 | 340-18 | 2 | Fitting-HYD, 90 DEG |
| 7:1 | 237-79 | 1 | O-Ring |
| 7:2 | 237-22 | 1 | O-Ring |
| 8 | 100-5530 | 1 | Fitting-45 DEG |
| 8:1 | 237-58 | 1 | O-Ring |
| 8:2 | 237-81 | 1 | O-Ring |
| 9 | 131-0661 | 2 | Screw-HSH |
| 10 | 107-9447 | 1 | O-Ring |
| 11 | 136-4439 | 1 | Fitting-HYD, 90 |
| 11:1 | 237-81 | 1 | O-Ring |

| Ref. | Part Number | Qty. | Description |
|------|-------------|------|---------------------|
| 12 | 2412-129 | 3 | Clamp-Hose |
| 13 | 132-6100 | 1 | Pump-Piston |
| 14 | 121-1647 | 1 | Hose-HYD |
| 15 | 100-5616 | 2 | Fitting |
| 17 | 340-99 | 1 | Fitting-HYD, 90 DEG |
| 17:1 | 237-30 | 1 | O-Ring |
| 17:2 | 237-42 | 1 | O-Ring |
| 19 | 104-3797 | 2 | Fitting-Straight |
| 19:1 | 237-146 | 1 | O-Ring |
| 19:2 | 340-65 | 1 | O-Ring |
| 20 | 99-3017 | 1 | Fitting |
| 20:1 | 237-81 | 1 | O-Ring |
| 21 | 2412-34 | 2 | Clamp-Hose |
| 22 | 121-1682 | 1 | Fitting-Tee |
| 22:1 | 237-101 | 1 | O-Ring |
| 23 | 353-988 | 1 | Plug-Hex |
| 23:1 | 237-79 | 1 | O-Ring |
| 24 | 120-8815 | 1 | Hose-Suction |
| 25 | 120-9050 | 1 | Hose-HYD |
| 26 | 354-79 | 4 | Cap-Dust |

4-Section Gear Pump Assembly No. 120-8904

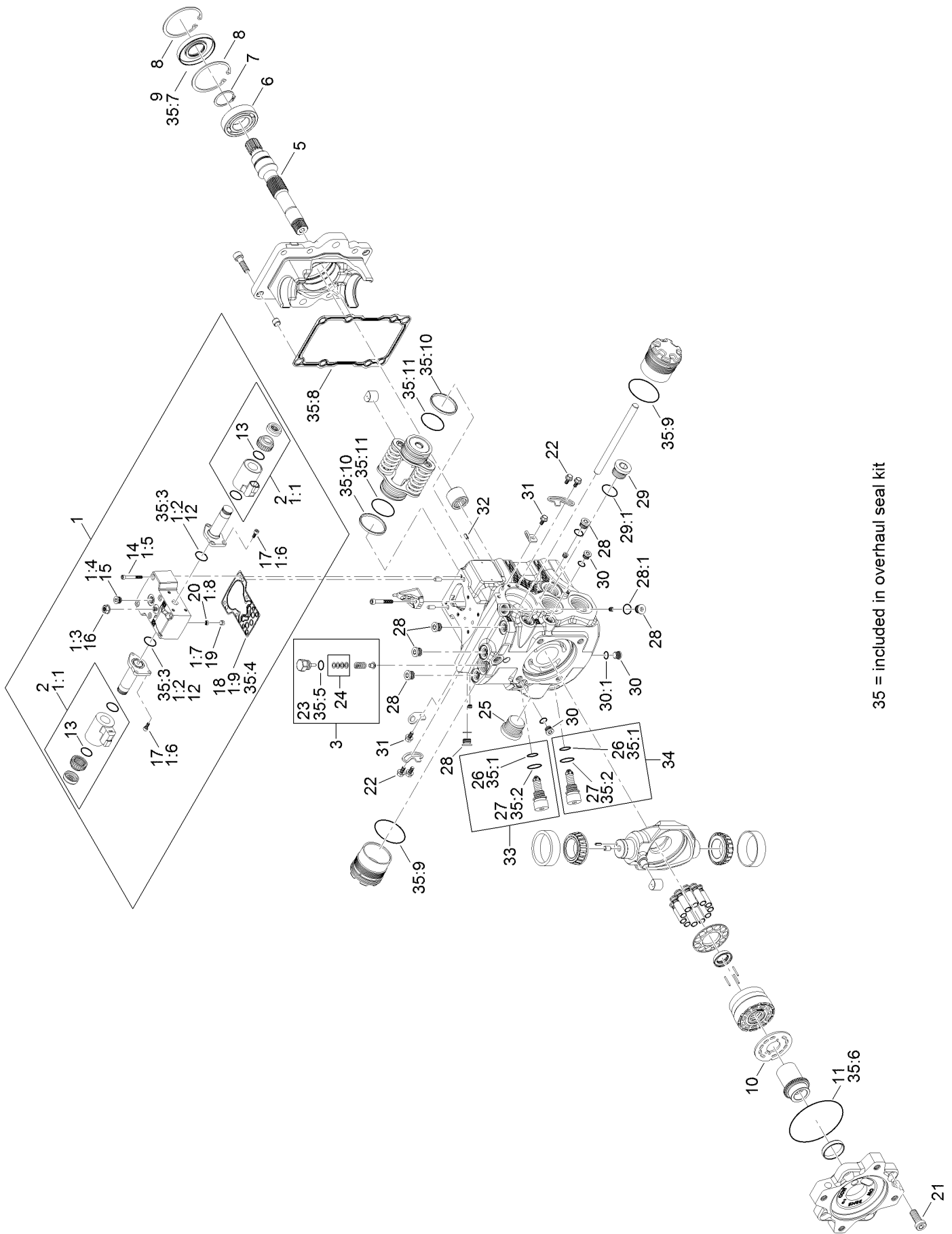


4-Section Gear Pump Assembly No. 120-8904 (continued)

| <i>Ref.</i> | <i>Part Number</i> | <i>Qty.</i> | <i>Description</i> |
|-------------|--------------------|-------------|--------------------|
| 1 | 115-3776 | 1 | Seal Kit |
| 2 | 121-1721 | 4 | Bolt |

| <i>Ref.</i> | <i>Part Number</i> | <i>Qty.</i> | <i>Description</i> |
|-------------|--------------------|-------------|--------------------|
| 3 | 121-1722 | 4 | Washer |
| 4 | 120-6284 | 3 | Hub-Connecting |

Hydraulic Pump Assembly No. 132-6100

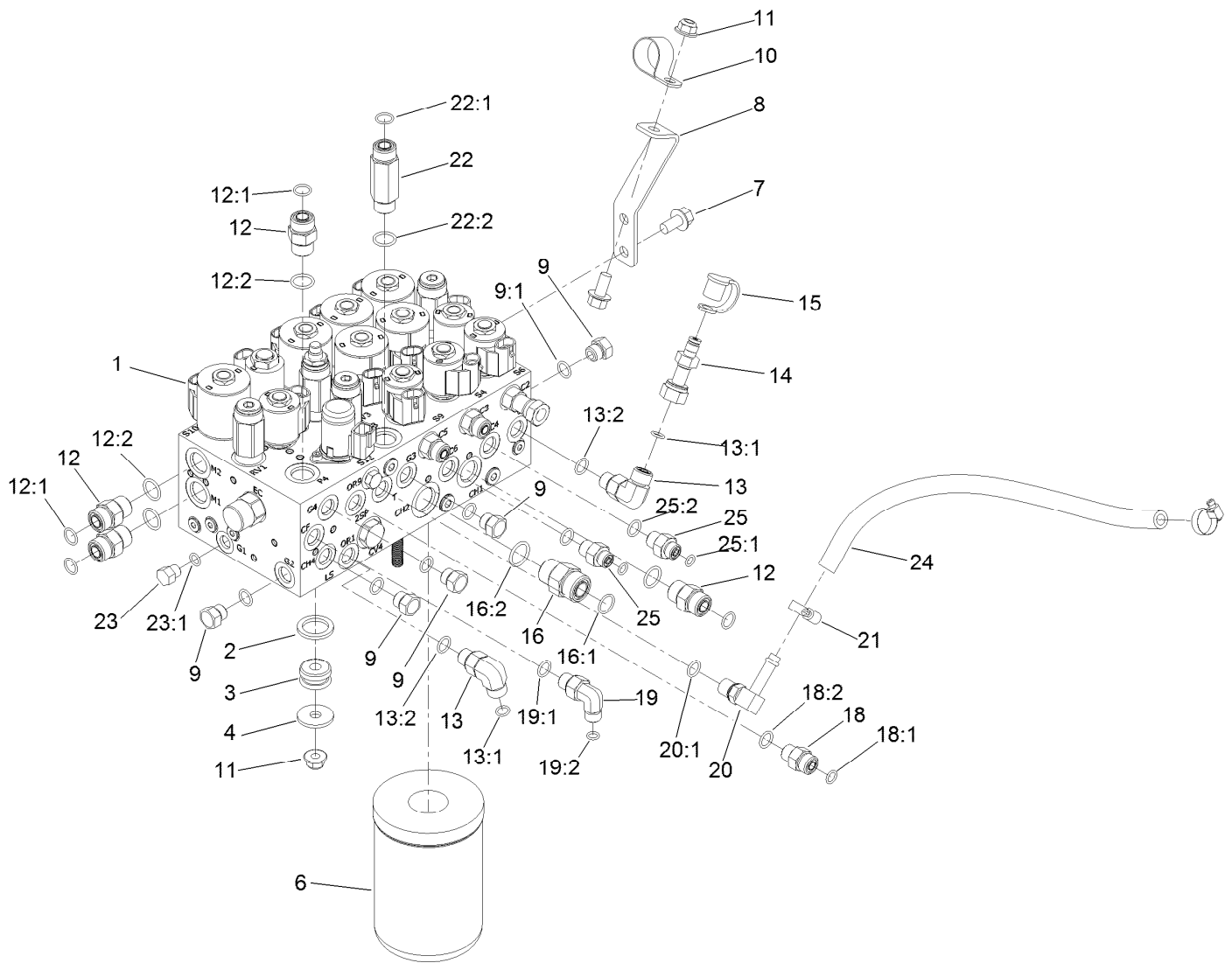


35 = included in overhaul seal kit

Hydraulic Pump Assembly No. 132-6100 (continued)

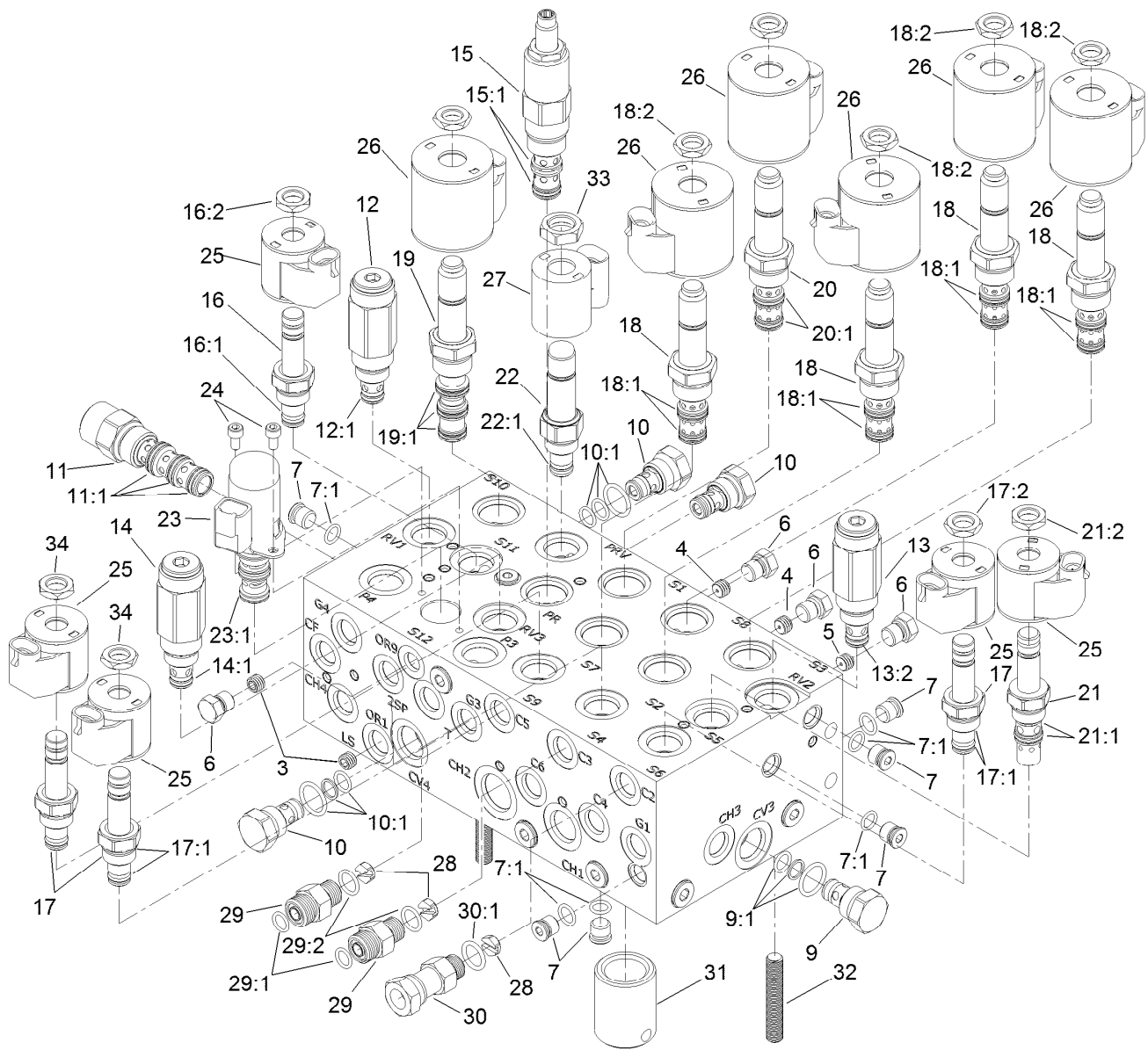
| <i>Ref.</i> | <i>Part Number</i> | <i>Qty.</i> | <i>Description</i> | <i>Ref.</i> | <i>Part Number</i> | <i>Qty.</i> | <i>Description</i> |
|-------------|--------------------|-------------|--------------------|-------------|--------------------|-------------|-----------------------------|
| 1 | 132-6203 | 1 | Control Kit | 22 | 125-5270 | 4 | Screw |
| 1:1 | 132-6204 | 2 | Coil Kit | 23 | 125-5298 | 1 | O-Ring |
| 1:2 | 125-5288 | 2 | O-Ring | 24 | 92-1353 | 1 | Shim Kit |
| 1:3 | 125-5273 | 1 | Nut-Seal | 25 | 125-5301 | 1 | Plug |
| 1:4 | 125-5302 | 1 | Plug | 26 | 75-0240 | 2 | O-Ring |
| 1:5 | 125-5274 | 6 | Screw | 27 | 84-0560 | 2 | O-Ring |
| 1:6 | 125-5272 | 6 | Screw | 28 | 69-3080 | 6 | Plug |
| 1:7 | 125-5269 | 1 | Ring-Locking | 28:1 | | 1 | O-Ring ● |
| 1:8 | 125-5266 | 1 | Screen | 29 | 69-3130 | 1 | Plug |
| 1:9 | 125-5283 | 1 | Gasket-Control | 29:1 | | 1 | O-Ring ● |
| 2 | 132-6204 | 2 | Coil Kit | 30 | 75-0170 | 3 | Plug-Thread, Straight |
| 3 | 136-4397 | 1 | Charge Relief Kit | 30:1 | 92-8777 | 1 | O-Ring |
| 5 | 136-4399 | 1 | Shaft | 31 | 125-5270 | 2 | Screw |
| 6 | 75-0460 | 1 | Bearing-Ball | 32 | 110-6485 | 1 | Pin-Slotted |
| 7 | 125-5280 | 1 | Ring-Retaining | 33 | 136-4393 | 1 | Valve-Relief, High Pressure |
| 8 | 131-8616 | 2 | Ring-Retaining | 34 | 136-4392 | 1 | Valve-Relief, High Pressure |
| 9 | 127-6214 | 1 | Seal-Lip | 35 | 132-6205 | 1 | Overhaul Seal Kit |
| 10 | 136-4398 | 1 | Valve Plate | 35:1 | 75-0240 | 2 | O-Ring |
| 11 | 132-6206 | 1 | O-Ring | 35:2 | 84-0560 | 2 | O-Ring |
| 12 | 125-5288 | 2 | O-Ring | 35:3 | 125-5288 | 2 | O-Ring |
| 13 | 131-7388 | 2 | O-Ring | 35:4 | 125-5283 | 1 | Gasket-Control |
| 14 | 125-5274 | 6 | Screw | 35:5 | 125-5298 | 1 | O-Ring |
| 15 | 125-5302 | 1 | Plug | 35:6 | 132-6206 | 1 | O-Ring |
| 16 | 125-5273 | 1 | Nut-Seal | 35:7 | 127-6214 | 1 | Seal-Lip |
| 17 | 125-5272 | 6 | Screw | 35:8 | | 1 | Gasket ● |
| 18 | 125-5283 | 1 | Gasket-Control | 35:9 | | 2 | O-Ring ● |
| 19 | 125-5269 | 1 | Ring-Locking | 35:10 | | 2 | Piston Ring ● |
| 20 | 125-5266 | 1 | Screen | 35:11 | | 2 | O-Ring ● |
| 21 | 125-5282 | 4 | Screw | | | | |

● Not serviced separately



Combination Manifold Assembly

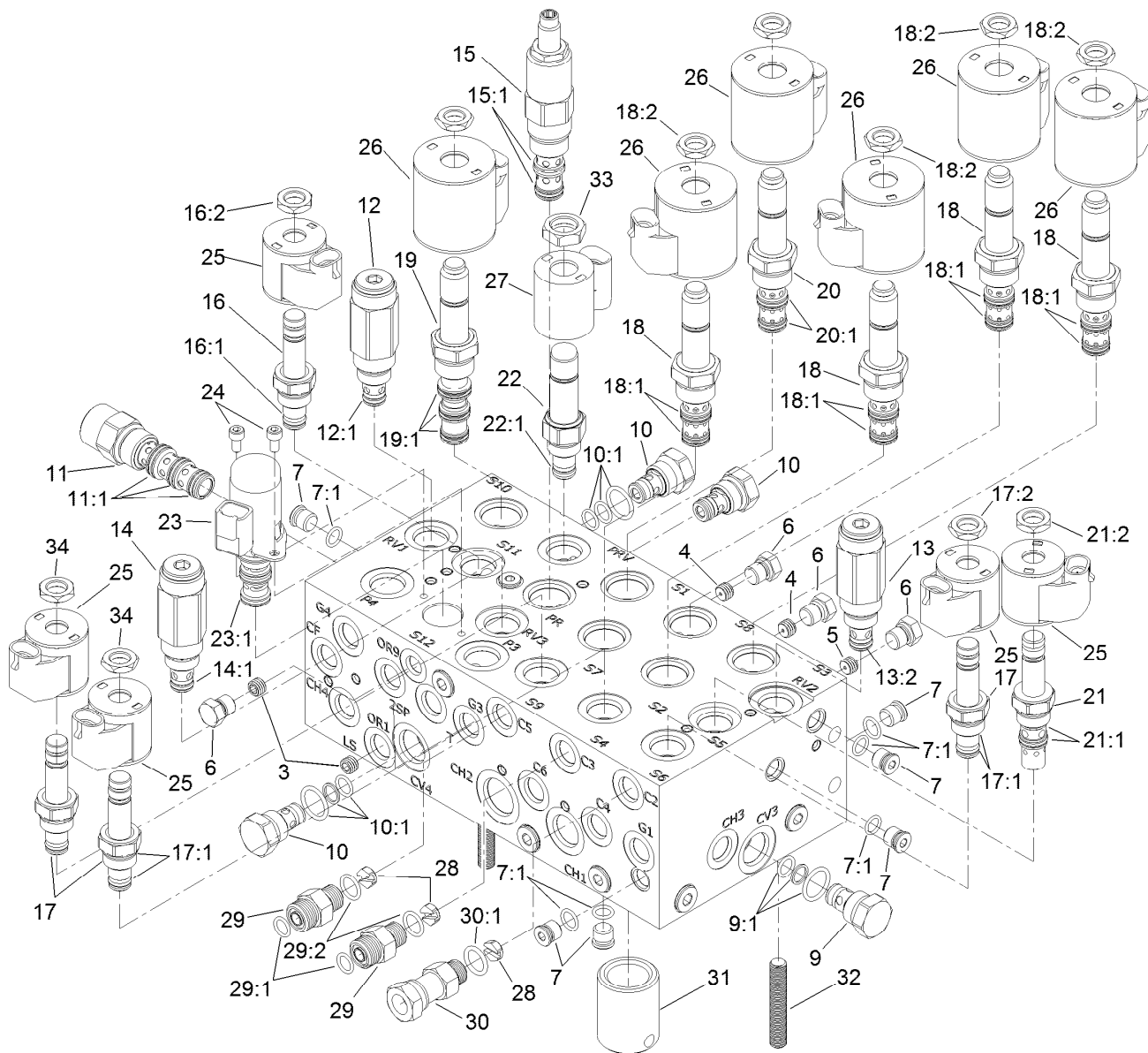
| Ref. | Part Number | Qty. | Description | Ref. | Part Number | Qty. | Description |
|------|-------------|------|------------------------------|------|-------------|------|-----------------------|
| 1 | 127-3650 | 1 | HYD Combination Manifold ASM | 16:1 | 237-65 | 1 | O-Ring |
| 2 | 92-2650 | 3 | Spacer-Clutch | 16:2 | 237-80 | 1 | O-Ring |
| 3 | 63-9750 | 3 | Mount | 18 | 340-2 | 1 | Fitting-Straight |
| 4 | 63-8410 | 3 | Washer | 18:1 | 237-22 | 1 | O-Ring |
| 6 | 75-1310 | 1 | Filter-HYD | 18:2 | 237-42 | 1 | O-Ring |
| 7 | 3234-1 | 3 | Screw-HHF | 19 | 340-82 | 1 | Fitting-Elbow, 90 DEG |
| 8 | 121-1542 | 1 | Plate-Mount, Hose | 19:1 | 237-42 | 1 | O-Ring |
| 9 | 353-508 | 5 | Plug-HH | 19:2 | 237-21 | 1 | O-Ring |
| 9:1 | 237-42 | 1 | O-Ring | 20 | 100-4887 | 1 | Fitting-Elbow, 90 |
| 10 | 2412-126 | 1 | R-Clamp | 20:1 | 237-42 | 1 | O-Ring |
| 11 | 104-8301 | 4 | Nut-HF, NI | 21 | 2412-36 | 2 | Clamp-Hose |
| 12 | 340-4 | 4 | Fitting-Straight | 22 | 119-4854 | 1 | Fitting-STR |
| 12:1 | 237-30 | 1 | O-Ring | 22:1 | 237-30 | 1 | O-Ring |
| 12:2 | 237-79 | 1 | O-Ring | 22:2 | 237-79 | 1 | O-Ring |
| 13 | 340-77 | 2 | Fitting-Elbow, 90 DEG | 23 | 353-512 | 1 | Plug |
| 13:1 | 237-22 | 1 | O-Ring | 23:1 | 237-78 | 1 | O-Ring |
| 13:2 | 237-42 | 1 | O-Ring | 24 | 87-5730 | 1 | Hose |
| 14 | 86-5480 | 1 | Nipple-Test | 25 | 340-1 | 2 | Fitting-Straight |
| 15 | 354-79 | 1 | Cap-Dust | 25:1 | 237-21 | 1 | O-Ring |
| 16 | 340-7 | 1 | Fitting-Straight | 25:2 | 237-42 | 1 | O-Ring |



Combination Manifold Assembly No. 127-3650

| Ref. | Part Number | Qty. | Description | Ref. | Part Number | Qty. | Description |
|------|-------------|------|----------------------|------|-------------|------|-------------------------|
| 3 | 136-4363 | 2 | Orifice-0.028 | 15 | 127-3663 | 1 | Valve-Pressure Reducing |
| 4 | 112-6538 | 2 | Orifice (.063 Inch) | 15:1 | 105-9154 | 1 | Seal Kit |
| 5 | 110-8883 | 1 | Plug-Orifice (0.040) | 16 | 107-7516 | 1 | Solenoid Valve ASM |
| 6 | 117-0115 | 4 | Plug | 16:1 | 105-9156 | 1 | Seal Kit |
| 7 | 353-990 | 14 | Plug ASM | 16:2 | 110-2634 | 1 | Nut-Coil |
| 7:1 | 237-78 | 1 | O-Ring | 17 | 112-9206 | 3 | Solenoid Valve ASM |
| 9 | 114-2873 | 1 | Check Valve ASM | 17:1 | 105-9156 | 1 | Seal Kit |
| 9:1 | 105-9156 | 1 | Seal Kit | 17:2 | 110-2634 | 1 | Nut-Coil |
| 10 | 105-9321 | 3 | Check Valve ASM | 18 | 115-5400 | 4 | Solenoid Valve ASM |
| 10:1 | 105-9156 | 1 | Seal Kit | 18:1 | 107-7813 | 1 | Seal Kit |
| 11 | 115-5409 | 1 | Compensator ASM | 18:2 | 110-2634 | 1 | Nut-Coil |
| 11:1 | 110-8908 | 1 | Spool Valve Seal Kit | 19 | 115-3023 | 1 | Solenoid Valve ASM |
| 12 | 125-7560 | 1 | Relief Valve ASM | 19:1 | 110-8908 | 1 | Spool Valve Seal Kit |
| 12:1 | 105-9156 | 1 | Seal Kit | 20 | 125-7556 | 1 | Solenoid Valve ASM |
| 13 | 105-9844 | 1 | Valve-Relief | 20:1 | 107-7813 | 1 | Seal Kit |
| 13:2 | 105-9156 | 1 | Seal Kit | 21 | 115-5405 | 1 | Solenoid Valve ASM |
| 14 | 125-7558 | 1 | Relief Valve ASM | 21:1 | 115-5413 | 1 | Seal Kit |
| 14:1 | 105-9156 | 1 | Seal Kit | 21:2 | 110-2634 | 1 | Nut-Coil |

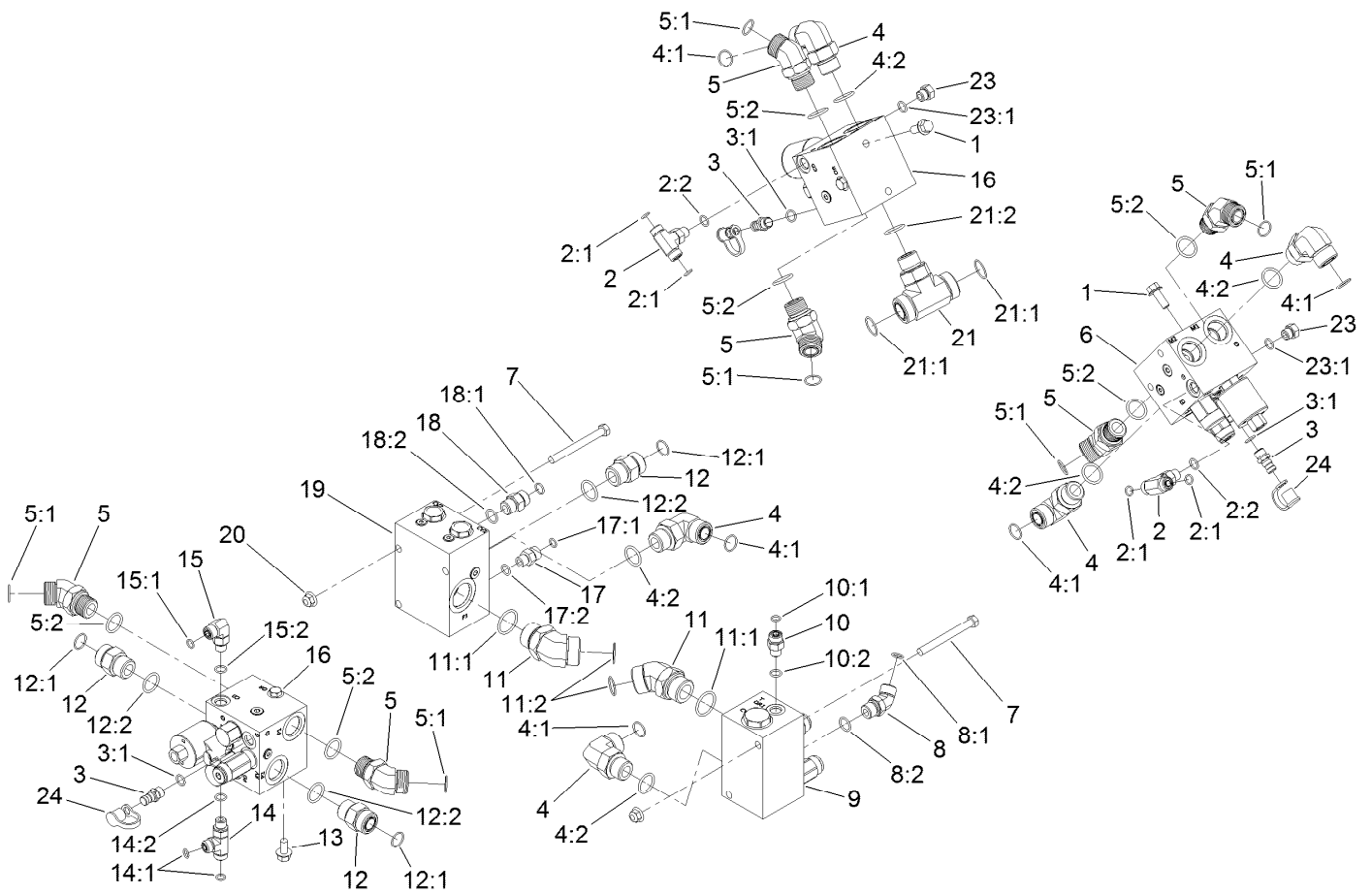
● Not illustrated



Combination Manifold Assembly No. 127-3650 (continued)

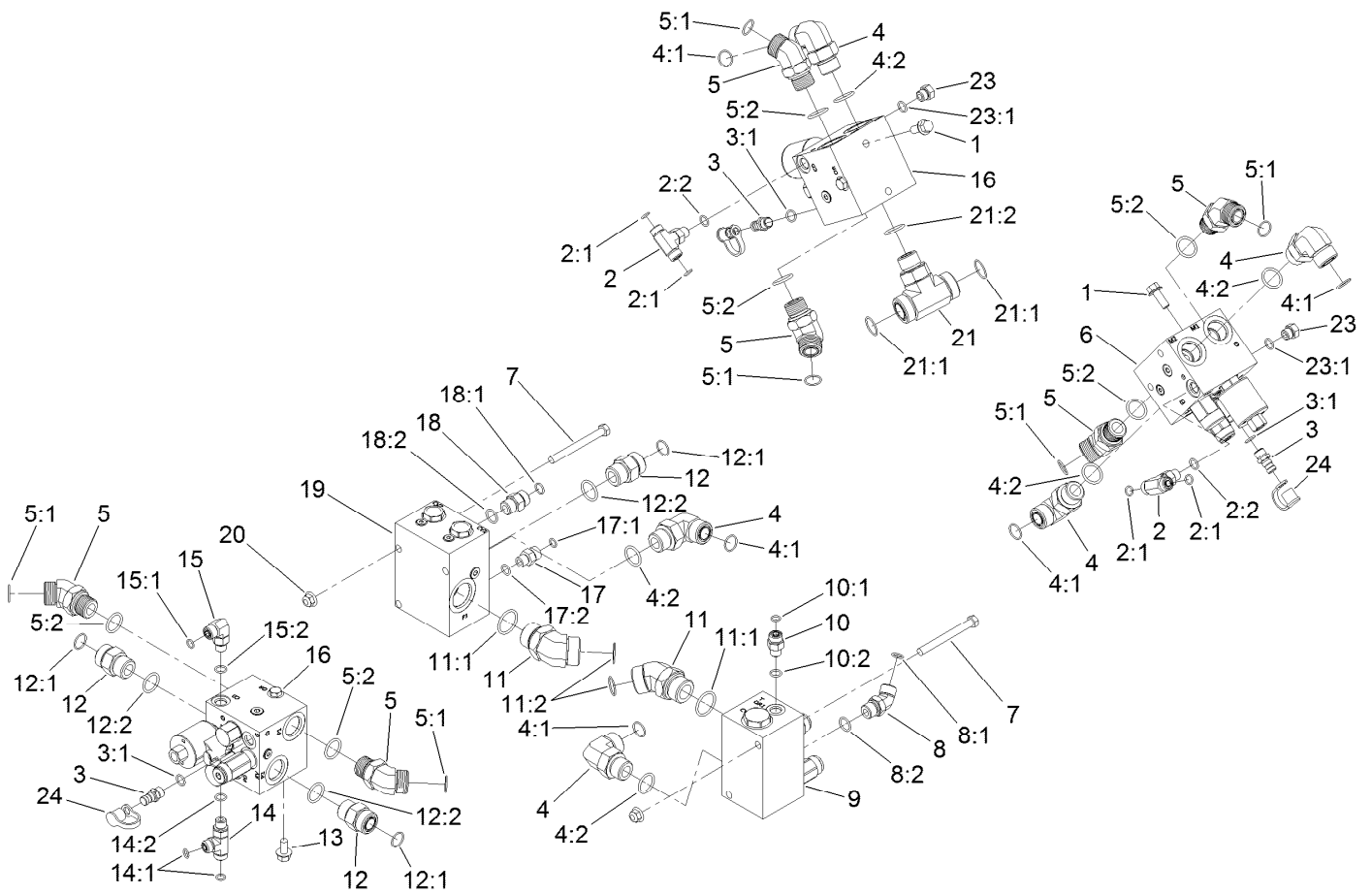
| Ref. | Part Number | Qty. | Description | Ref. | Part Number | Qty. | Description |
|------|-------------|------|----------------------------------|------|-------------|------|----------------------------|
| 22 | 125-7555 | 1 | Proportional Relief Valve ASM | 29 | 340-2 | 2 | Fitting-Straight |
| 22:1 | 110-6316 | 1 | Seal Kit | 29:1 | 237-22 | 1 | O-Ring |
| 23 | 125-7554 | 1 | Valve-Solenoid | 29:2 | 237-42 | 1 | O-Ring |
| 23:1 | 125-7561 | 1 | Seal Kit ● | 30 | 104-3779 | 1 | Connector-Swivel, Straight |
| 24 | 115-8733 | 2 | Screw-HSH | 30:1 | 237-42 | 1 | O-Ring |
| 25 | 110-0497 | 5 | Coil-Solenoid | 31 | 125-7551 | 1 | Nipple-Filter |
| 26 | 110-6344 | 6 | Coil-12V, DC | 32 | 130-2661 | 3 | Stud-Manifold |
| 27 | 125-7553 | 1 | E-Coil, 12Vdc | 33 | 125-7550 | 1 | Nut-Coil |
| 28 | 125-7552 | 3 | Orifice-Check, .070 DIA | 34 | 110-2634 | 11 | Nut-Coil |

● Not illustrated



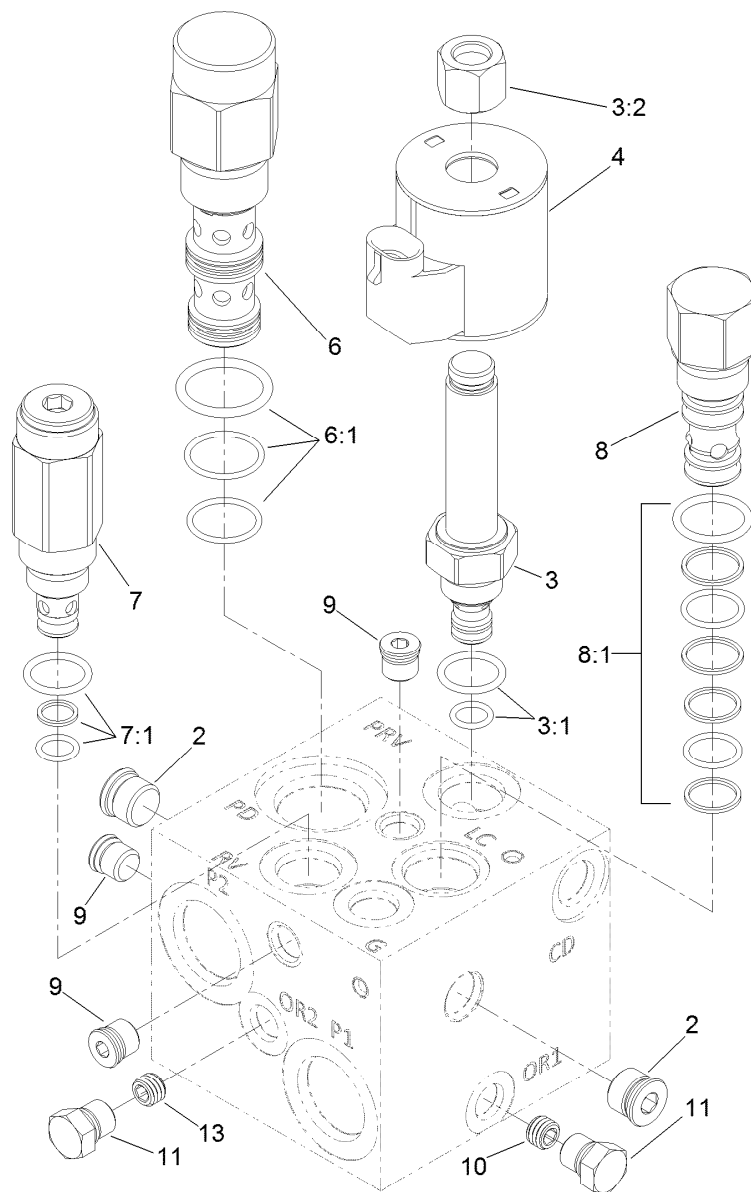
Manifold Block Assembly

| <i>Ref.</i> | <i>Part Number</i> | <i>Qty.</i> | <i>Description</i> | <i>Ref.</i> | <i>Part Number</i> | <i>Qty.</i> | <i>Description</i> |
|-------------|--------------------|-------------|-------------------------|-------------|--------------------|-------------|--------------------------------------|
| 1 | 3234-11 | 4 | Screw-HHF | 11 | 104-3509 | 2 | Fitting-HYD, 45 DEG |
| 2 | 340-94 | 2 | Adapter | 11:1 | 237-146 | 1 | O-Ring |
| 2:1 | 237-22 | 2 | O-Ring | 11:2 | 340-65 | 1 | O-Ring |
| 2:2 | 237-42 | 1 | O-Ring | 12 | 340-9 | 3 | Fitting-STR |
| 3 | 59-7410 | 3 | Fitting-Diagnostic | 12:1 | 237-58 | 1 | O-Ring |
| 3:1 | 237-42 | 1 | O-Ring | 12:2 | 237-81 | 1 | O-Ring |
| 4 | 340-142 | 5 | Fitting-Elbow, 90 DEG | 13 | 3234-1 | 2 | Screw-HHF |
| 4:1 | 237-58 | 1 | O-Ring | 14 | 340-86 | 1 | Fitting-Tee |
| 4:2 | 237-81 | 1 | O-Ring | 14:1 | 237-22 | 2 | O-Ring |
| 5 | 100-5530 | 6 | Fitting-45 DEG | 14:2 | 237-42 | 1 | O-Ring |
| 5:1 | 237-58 | 1 | O-Ring | 15 | 340-77 | 1 | Fitting-Elbow, 90 DEG |
| 5:2 | 237-81 | 1 | O-Ring | 15:1 | 237-22 | 1 | O-Ring |
| 6 | 131-1249 | 1 | Manifold-PTO, Left | 15:2 | 237-42 | 1 | O-Ring |
| 7 | 323-42 | 4 | Screw-HH | 16 | 131-1248 | 2 | Center And Right PTO Manifold ASM |
| 8 | 340-101 | 1 | Fitting-HYD, 45 DEG | 17 | 92-9258 | 1 | Adapter-Check |
| 8:1 | 237-30 | 1 | O-Ring | 17:1 | 237-22 | 1 | O-Ring |
| 8:2 | 237-79 | 1 | O-Ring | 17:2 | 237-42 | 1 | O-Ring |
| 9 | 121-1530 | 1 | Manifold-Traction, Rear | 18 | 100-4890 | 1 | Fitting-Check |
| 10 | 340-2 | 1 | Fitting-Straight | 18:1 | 237-79 | 1 | O-Ring |
| 10:1 | 237-22 | 1 | O-Ring | 18:2 | 237-30 | 1 | O-Ring |
| 10:2 | 237-42 | 1 | O-Ring | | | | |



Manifold Block Assembly (continued)

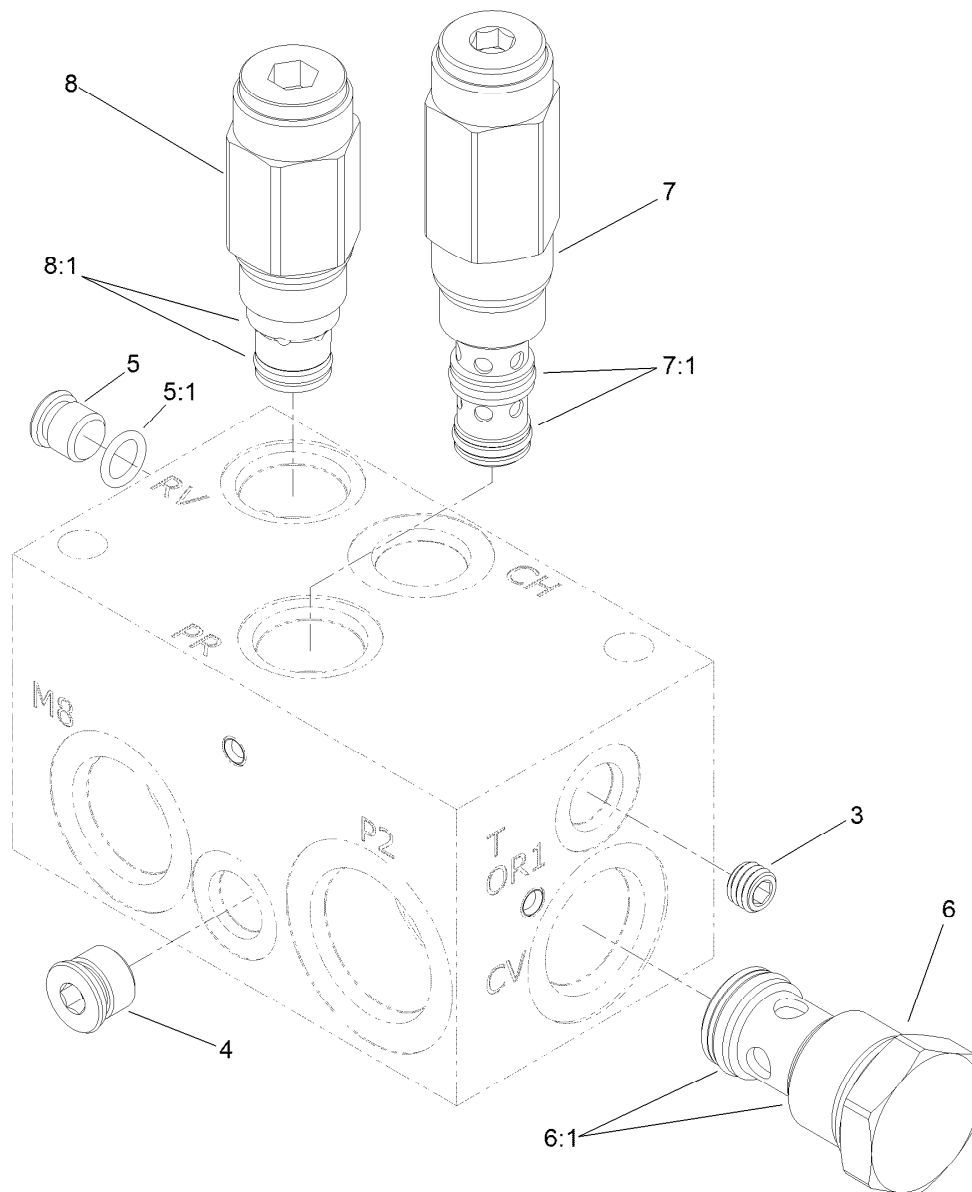
| <i>Ref.</i> | <i>Part Number</i> | <i>Qty.</i> | <i>Description</i> | <i>Ref.</i> | <i>Part Number</i> | <i>Qty.</i> | <i>Description</i> |
|-------------|--------------------|-------------|---------------------------|-------------|--------------------|-------------|--------------------|
| 19 | 121-1550 | 1 | Flow Divider Manifold ASM | 21:2 | 237-81 | 1 | O-Ring |
| 20 | 104-8301 | 4 | Nut-HF, NI | 23 | 353-508 | 2 | Plug-HH |
| 21 | 120-8825 | 1 | Fitting-Tee | 23:1 | 237-42 | 1 | O-Ring |
| 21:1 | 340-65 | 2 | O-Ring | 24 | 354-79 | 3 | Cap-Dust |



Left PTO Manifold Assembly No. 131-1249

| Ref. | Part Number | Qty. | Description |
|------|-------------|------|----------------------------|
| 2 | 112-9213 | 2 | Plug |
| 3 | 117-0227 | 1 | Valve-Relief, Proportional |
| 3:1 | 105-9156 | 1 | Seal Kit |
| 3:2 | 119-2160 | 1 | Nut-Coil |
| 4 | 110-6344 | 1 | Coil-12V, DC |
| 6 | 125-4327 | 1 | Valve-Directional, Pilot |
| 6:1 | 114-5515 | 1 | Seal Kit |
| 7 | 114-5512 | 1 | Valve-Relief, 600 PSI |
| 7:1 | 105-9156 | 1 | Seal Kit ● |
| 8 | 105-9153 | 1 | Element-Logic, Vented |
| 8:1 | 119-2159 | 1 | Seal Kit ● |
| 9 | 112-9212 | 3 | Plug |
| 10 | 117-8315 | 1 | Orifice (.025 Inch) |
| 11 | 117-0115 | 2 | Plug |
| 13 | 112-6538 | 1 | Orifice (.063 Inch) |

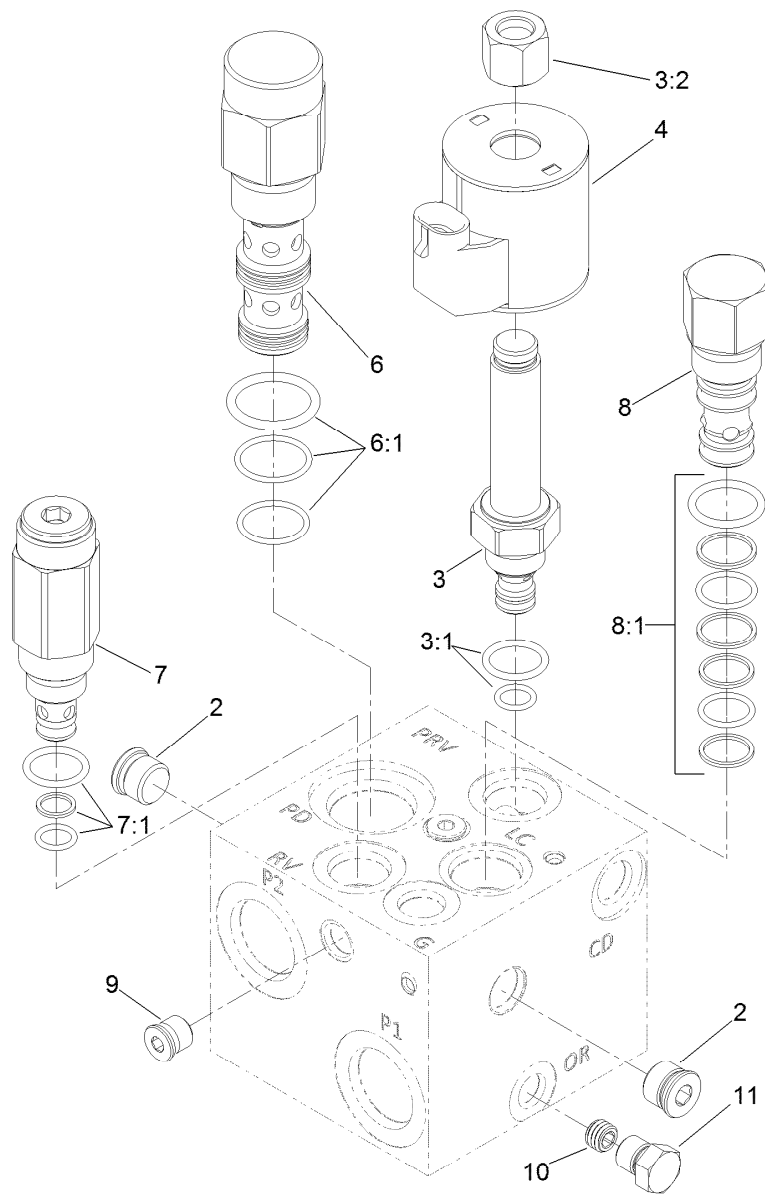
● Not illustrated



Rear Traction Manifold Assembly No. 121-1530

| Ref. | Part Number | Qty. | Description |
|------|-------------|------|---------------------------|
| 3 | 110-0495 | 1 | Plug-Orifice (0.050 Inch) |
| 4 | | 1 | Plug ● |
| 5 | 353-990 | 1 | Plug ASM |
| 5:1 | 237-78 | 1 | O-Ring |
| 6 | 125-4328 | 1 | Valve-Check |
| 6:1 | 125-4336 | 1 | Seal Kit |
| 7 | 136-4362 | 1 | Valve-Reducing |
| 7:1 | 136-4361 | 1 | Seal Kit |
| 8 | 125-4331 | 1 | Valve-Relief |
| 8:1 | 110-6316 | 1 | Seal Kit |

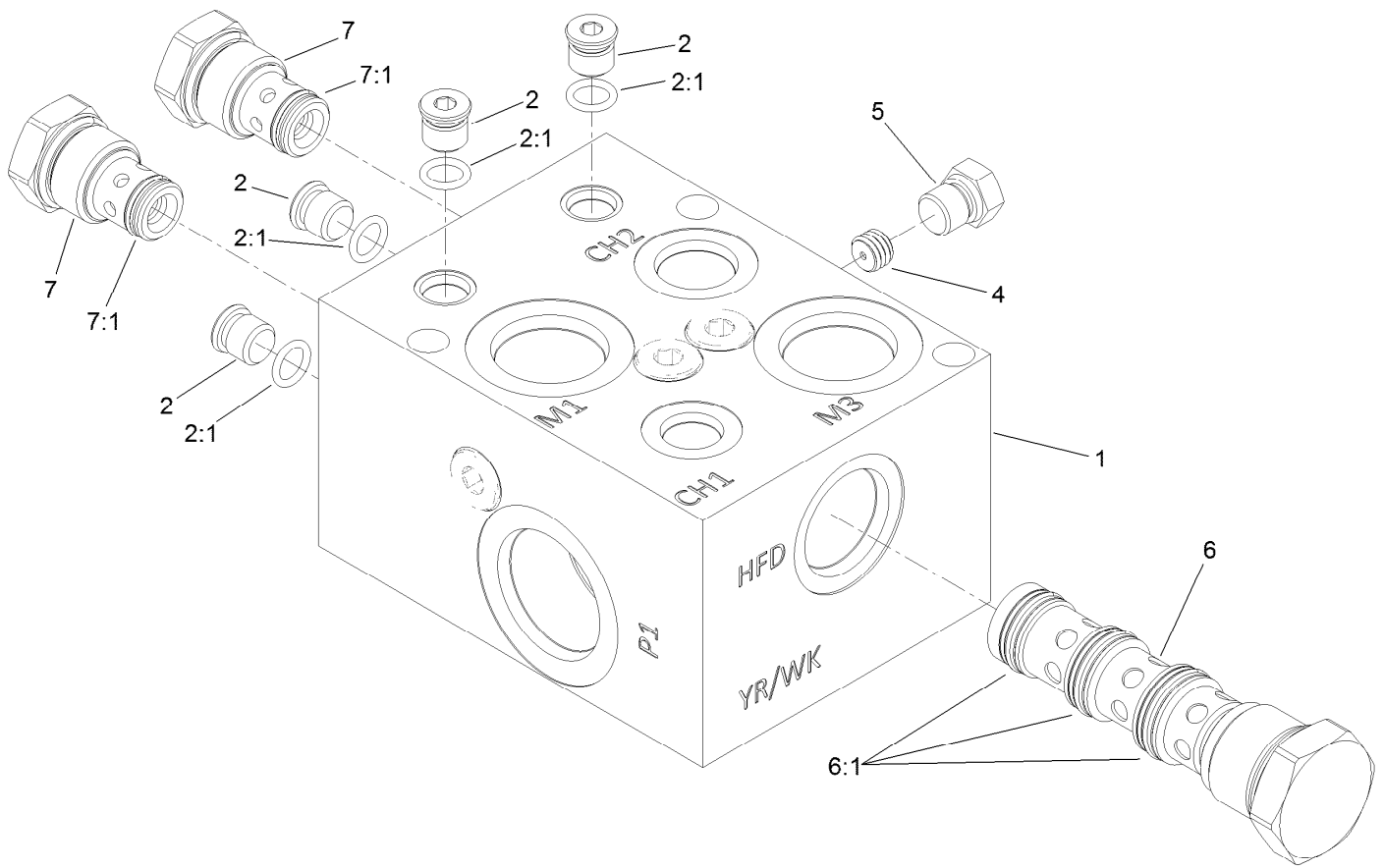
● Not serviced separately



Center and Right PTO Manifold Assembly No. 131-1248

| Ref. | Part Number | Qty. | Description |
|------|-------------|------|----------------------------|
| 2 | 112-9213 | 2 | Plug |
| 3 | 117-0227 | 1 | Valve-Relief, Proportional |
| 3:1 | 105-9156 | 1 | Seal Kit |
| 3:2 | 119-2160 | 1 | Nut-Coil |
| 4 | 110-6344 | 1 | Coil-12V, DC |
| 6 | 125-4327 | 1 | Valve-Directional, Pilot |
| 6:1 | 114-5515 | 1 | Seal Kit |
| 7 | 114-5512 | 1 | Valve-Relief, 600 PSI |
| 7:1 | 105-9156 | 1 | Seal Kit ● |
| 8 | 105-9153 | 1 | Element-Logic, Vented |
| 8:1 | 119-2159 | 1 | Seal Kit ● |
| 9 | 112-9212 | 3 | Plug |
| 10 | 117-8315 | 1 | Orifice (.025 Inch) |
| 11 | 117-0115 | 1 | Plug |

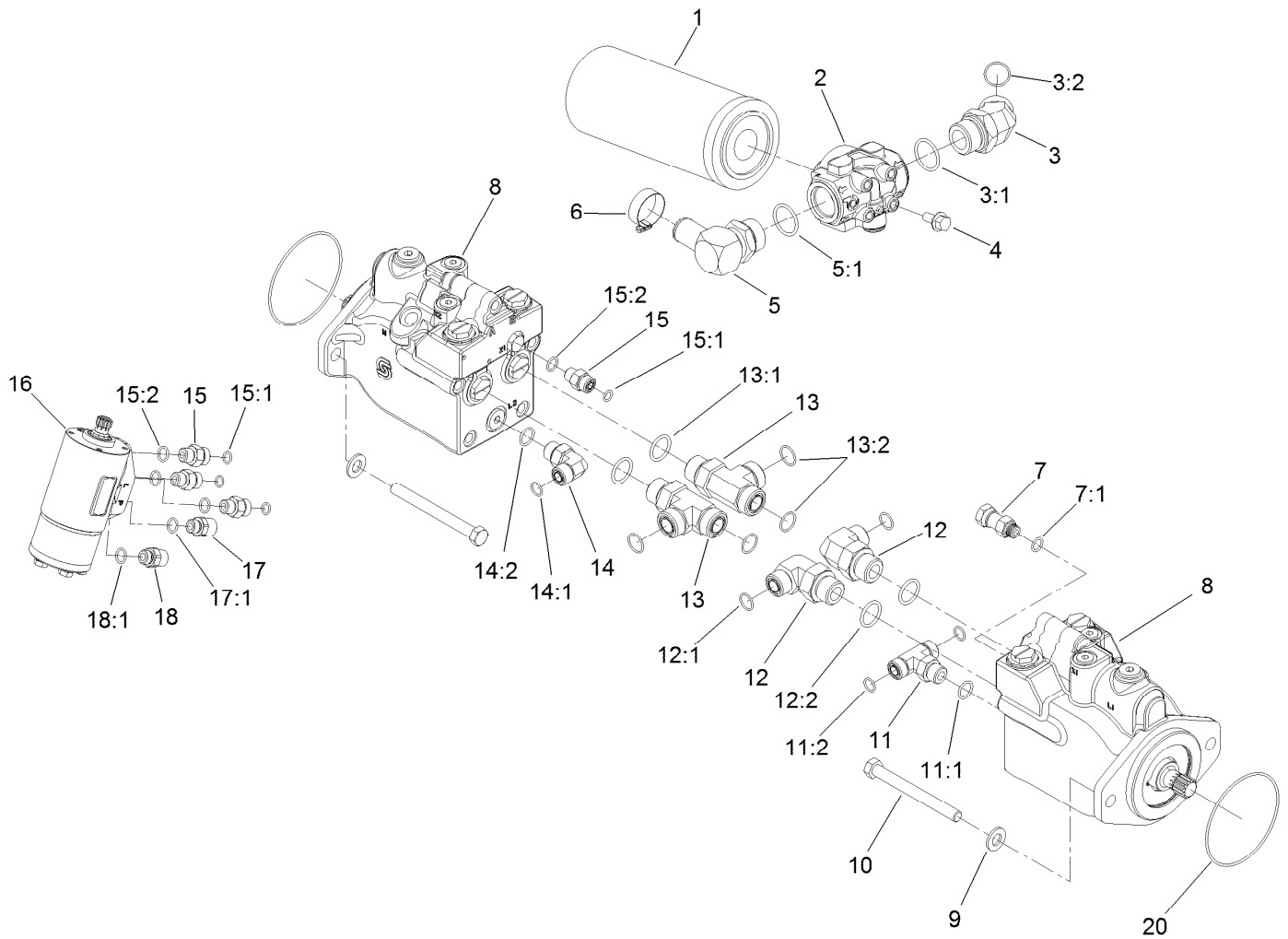
● Not illustrated



Flow Divider Manifold Assembly No. 121-1550

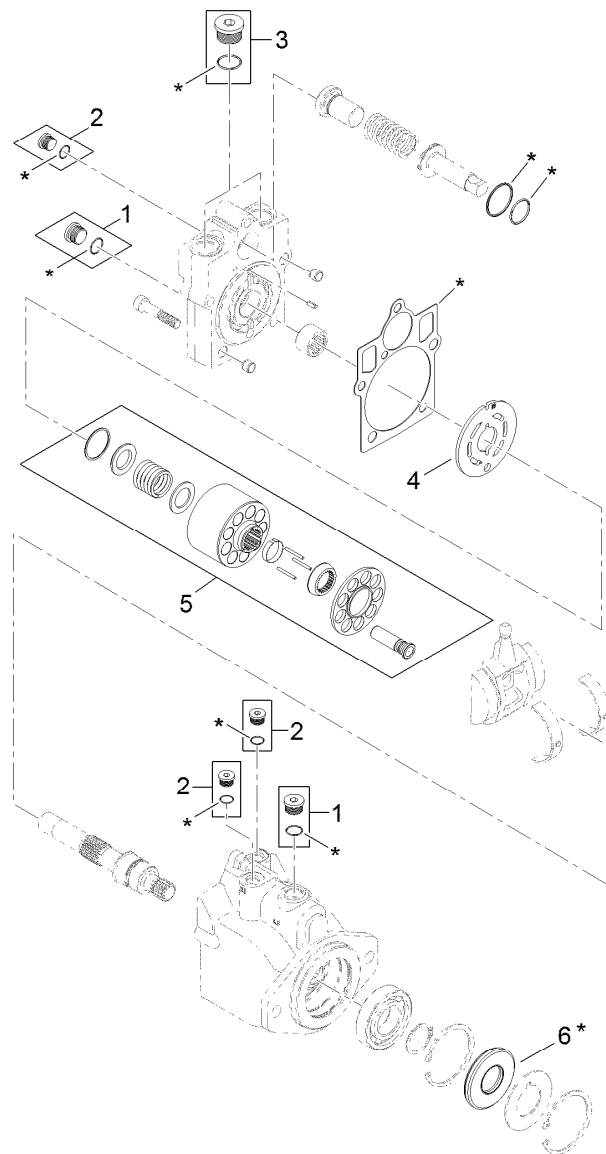
| Ref. | Part Number | Qty. | Description |
|------|-------------|------|---------------------|
| 1 | | 1 | Manifold Block ● |
| 2 | 353-990 | 4 | Plug ASM |
| 2:1 | 237-78 | 1 | O-Ring |
| 4 | 112-6538 | 1 | Orifice (.063 Inch) |
| 5 | 117-0115 | 1 | Plug |
| 6 | 125-4332 | 1 | Valve-Flow Divider |
| 6:1 | 125-4338 | 1 | Seal Kit |
| 7 | 125-4333 | 2 | Valve-Check |
| 7:1 | 125-4337 | 1 | Seal Kit |

● Not serviced separately



Drive Motor, Steer Valve and Filter Head Assembly

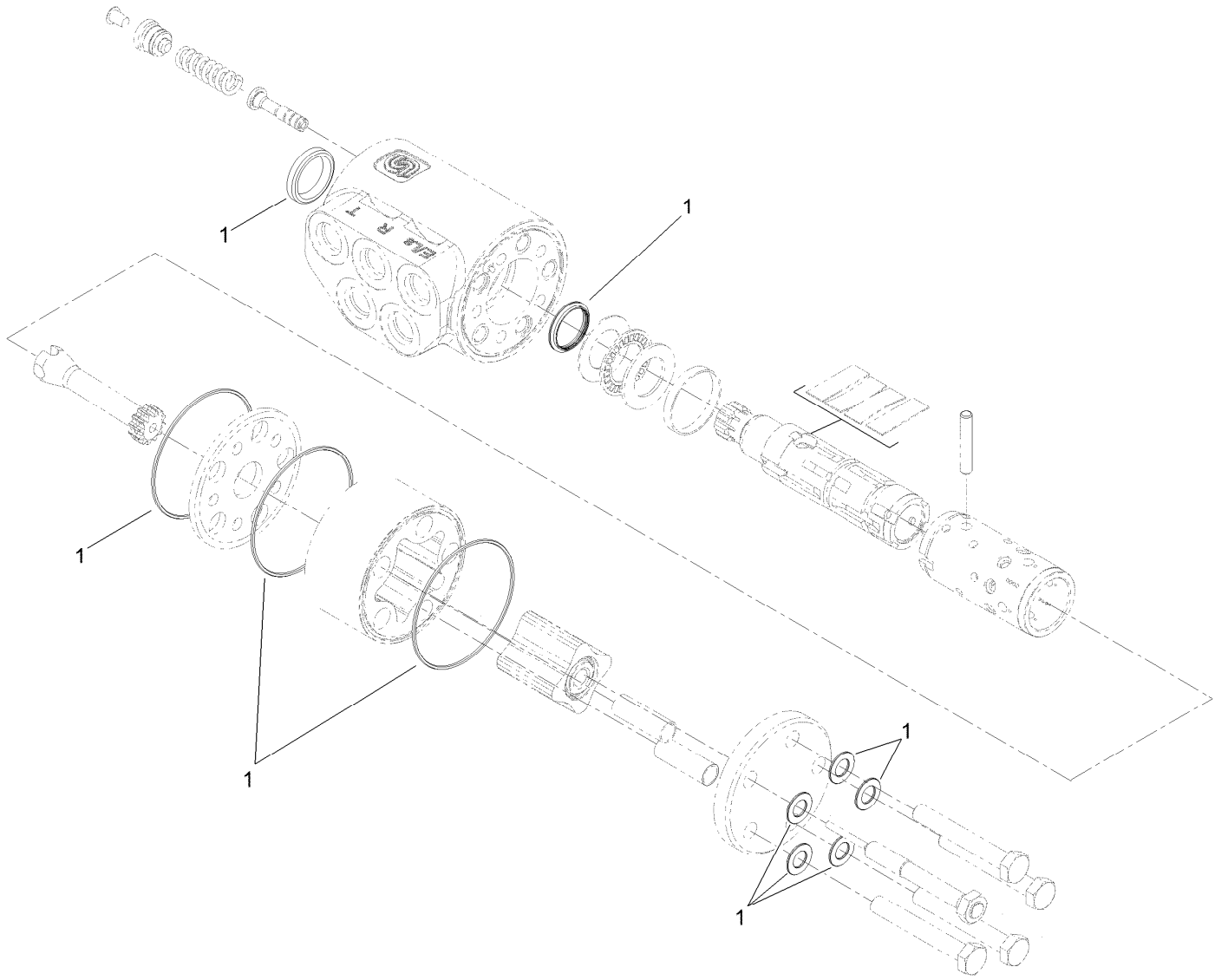
| Ref. | Part Number | Qty. | Description | Ref. | Part Number | Qty. | Description |
|------|-------------|------|----------------------------|------|-------------|------|-----------------------|
| 1 | 94-2621 | 1 | Element-Filter | 12:1 | 237-81 | 1 | O-Ring |
| 2 | 121-1577 | 1 | Head-Filter | 12:2 | 237-65 | 1 | O-Ring |
| 3 | 104-3509 | 1 | Fitting-HYD, 45 DEG | 13 | 340-148 | 2 | Fitting-Tee |
| 3:1 | 237-146 | 1 | O-Ring | 13:1 | 237-81 | 1 | O-Ring |
| 3:2 | 340-65 | 1 | O-Ring | 13:2 | 237-58 | 2 | O-Ring |
| 4 | 3234-1 | 4 | Screw-HHF | 14 | 340-98 | 1 | Fitting-Elbow, 90 DEG |
| 5 | 23-8910 | 1 | Stem-Barb-90 | 14:1 | 237-79 | 1 | O-Ring |
| 5:1 | 237-146 | 1 | O-Ring | 14:2 | 237-30 | 1 | O-Ring |
| 6 | 2412-34 | 1 | Clamp-Hose | 15 | 340-2 | 4 | Fitting-Straight |
| 7 | 104-3779 | 1 | Connector-Swivel, Straight | 15:1 | 237-22 | 1 | O-Ring |
| 7:1 | 237-42 | 1 | O-Ring | 15:2 | 237-42 | 1 | O-Ring |
| 8 | 120-8812 | 2 | HYD Motor ASM | 16 | 132-6256 | 1 | Valve-Steer |
| 9 | 106-9888 | 4 | Washer-Flat | 17 | 120-8979 | 1 | Fitting-Straight |
| 10 | 33116-120 | 4 | Screw-HH | 17:1 | 237-42 | 1 | O-Ring |
| 11 | 340-157 | 1 | Fitting-HYD, Tee | 18 | 120-8975 | 1 | Fitting-Straight |
| 11:1 | 237-79 | 1 | O-Ring | 18:1 | 237-42 | 1 | O-Ring |
| 11:2 | 237-30 | 2 | O-Ring | 20 | 237-166 | 2 | O-Ring |
| 12 | 340-139 | 2 | Fitting-Elbow 90 | | | | |



7 = all items with * are included in overhaul seal kit

Hydraulic Motor Assembly No. 120-8812

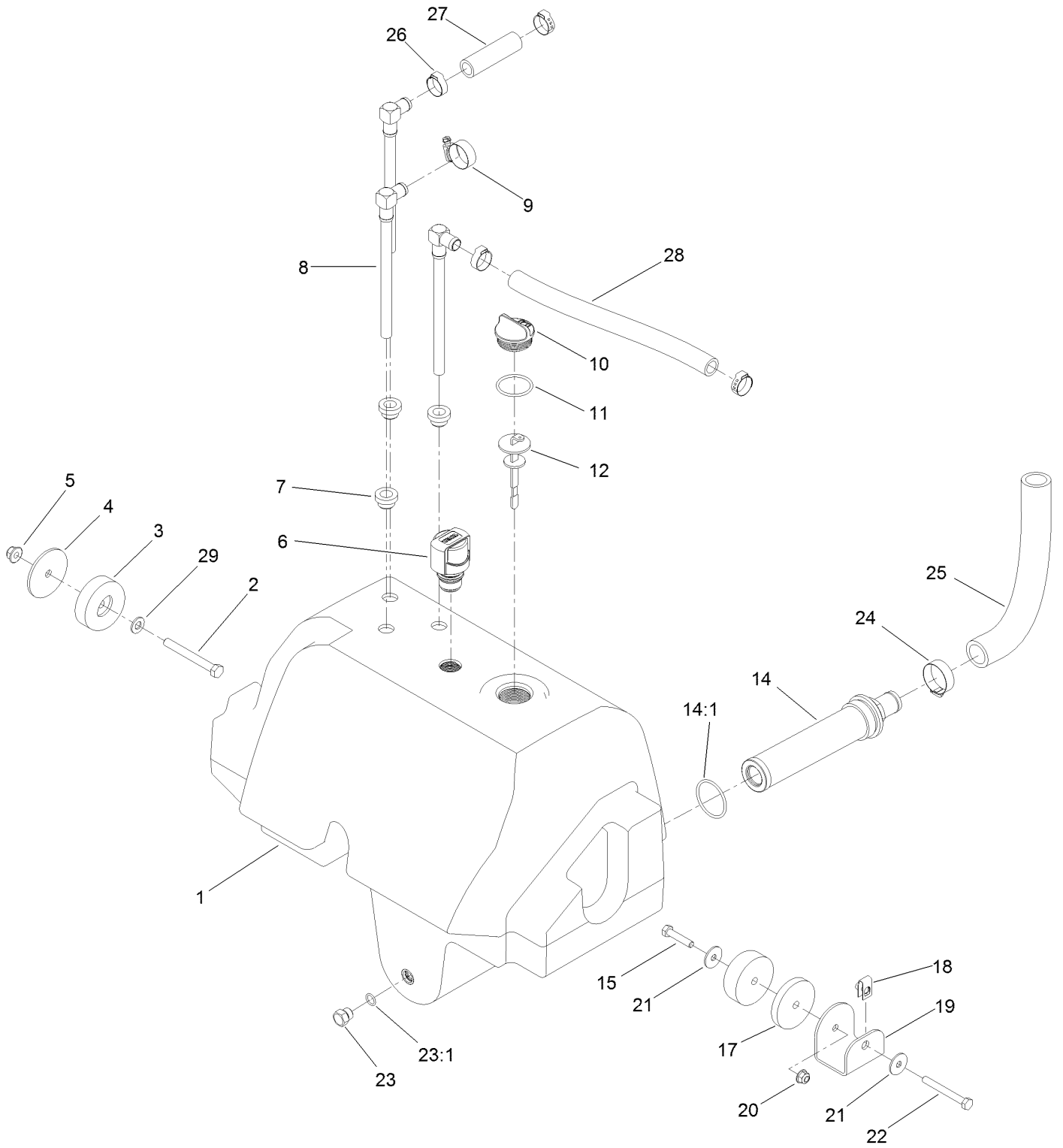
| <i>Ref.</i> | <i>Part Number</i> | <i>Qty.</i> | <i>Description</i> |
|-------------|--------------------|-------------|--------------------|
| 1 | 67-9090 | 2 | Plug |
| 2 | 75-0070 | 3 | Plug |
| 3 | 107-4352 | 1 | Plug |
| 4 | 121-1734 | 1 | Plate-Valve |
| 5 | 121-1735 | 1 | Cylinder Block Kit |
| 6 | 69-3190 | 1 | Seal-Lip |
| 7 | 121-1736 | 1 | Overhaul Seal Kit |



Steering Valve Assembly No. 132-6256

| <i>Ref.</i> | <i>Part Number</i> | <i>Qty.</i> | <i>Description</i> |
|-------------|--------------------|-------------|--------------------|
| 1 | 106-6716 | 1 | Seal Kit |

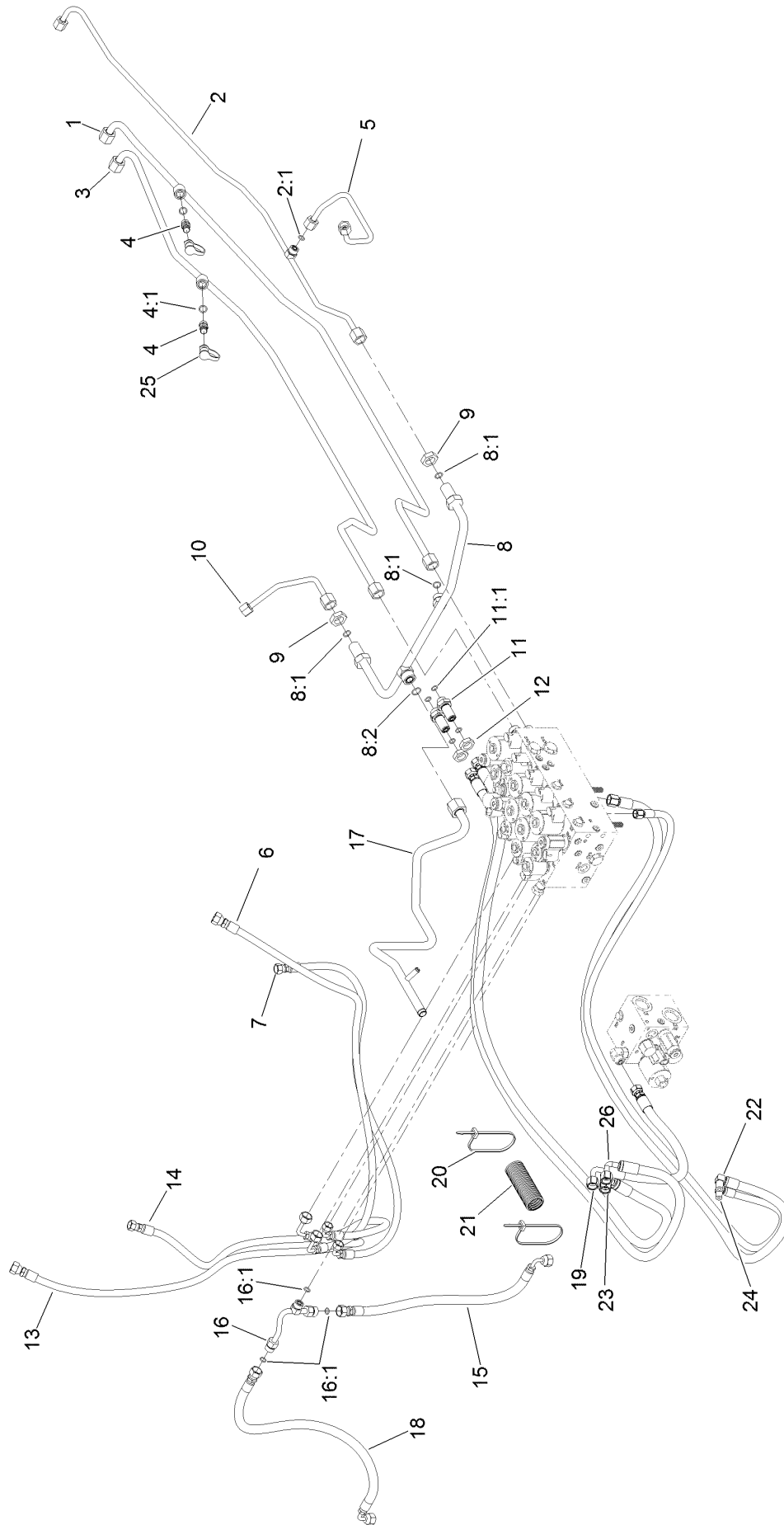
Hydraulic Reservoir Assembly



Hydraulic Reservoir Assembly (continued)

| <i>Ref.</i> | <i>Part Number</i> | <i>Qty.</i> | <i>Description</i> | <i>Ref.</i> | <i>Part Number</i> | <i>Qty.</i> | <i>Description</i> |
|-------------|--------------------|-------------|--------------------|-------------|--------------------|-------------|--------------------|
| 1 | 120-9077 | 1 | Reservoir-HYD | 17 | 121-1533 | 1 | Spacer-Thick |
| 2 | 323-20 | 1 | Screw-HH | 18 | 115-7721 | 1 | Nut-Clip, U |
| 3 | 108-1605 | 2 | Bumper-Recess | 19 | 121-1557-03 | 1 | Mount-Tank |
| 4 | 121-1456 | 1 | Spacer-Thin | 20 | 104-8300 | 1 | Nut-HF, NI |
| 5 | 104-8301 | 1 | Nut-HF, NI | 21 | 3256-82 | 2 | Washer-Flat |
| 6 | 115-9793 | 1 | Breather | 22 | 322-13 | 1 | Screw-HH |
| 7 | 104-0790 | 3 | Bushing | 23 | 353-508 | 1 | Plug-HH |
| 8 | 114-0002 | 3 | Pipe-Stand | 23:1 | 237-42 | 1 | O-Ring |
| 9 | 2412-129 | 1 | Clamp-Hose | 24 | 2412-34 | 1 | Clamp-Hose |
| 10 | 93-7498 | 1 | Plug-Plastic | 25 | 120-8810 | 1 | Hose-Strainer |
| 11 | 237-101 | 1 | O-Ring | 26 | 115-5436 | 4 | Clamp-Hose, Crimp |
| 12 | 112-6365 | 1 | Dipstick | 27 | 114-4920 | 1 | Hose |
| 14 | 104-7546 | 1 | Tank Strainer ASM | 28 | 121-1521 | 1 | Hose |
| 14:1 | 340-136 | 1 | O-Ring | 29 | 3256-24 | 1 | Washer-Flat |
| 15 | 322-7 | 1 | Screw-HH | | | | |

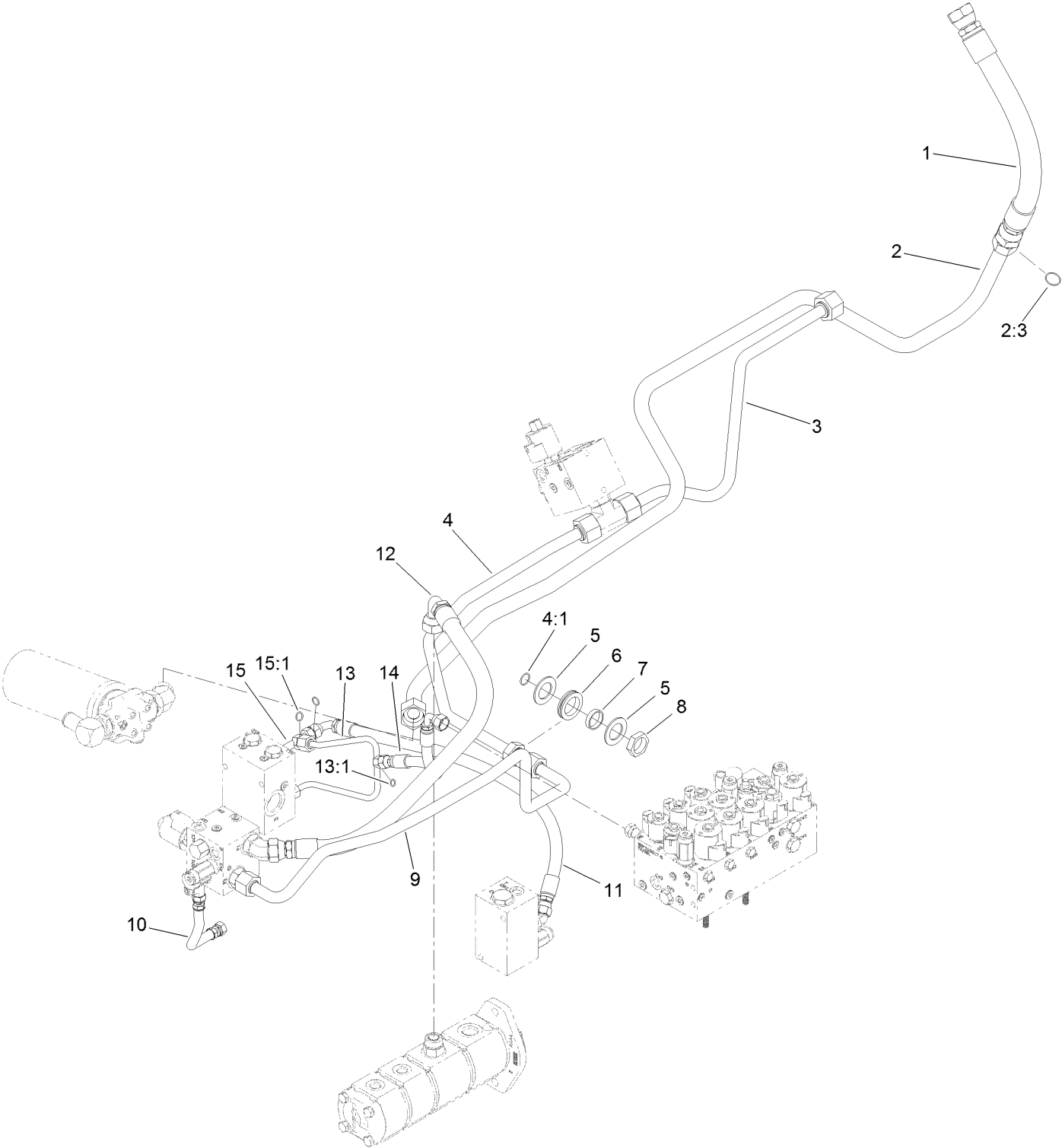
Lift, Steer and Fan Hydraulic Assembly



Lift, Steer and Fan Hydraulic Assembly (continued)

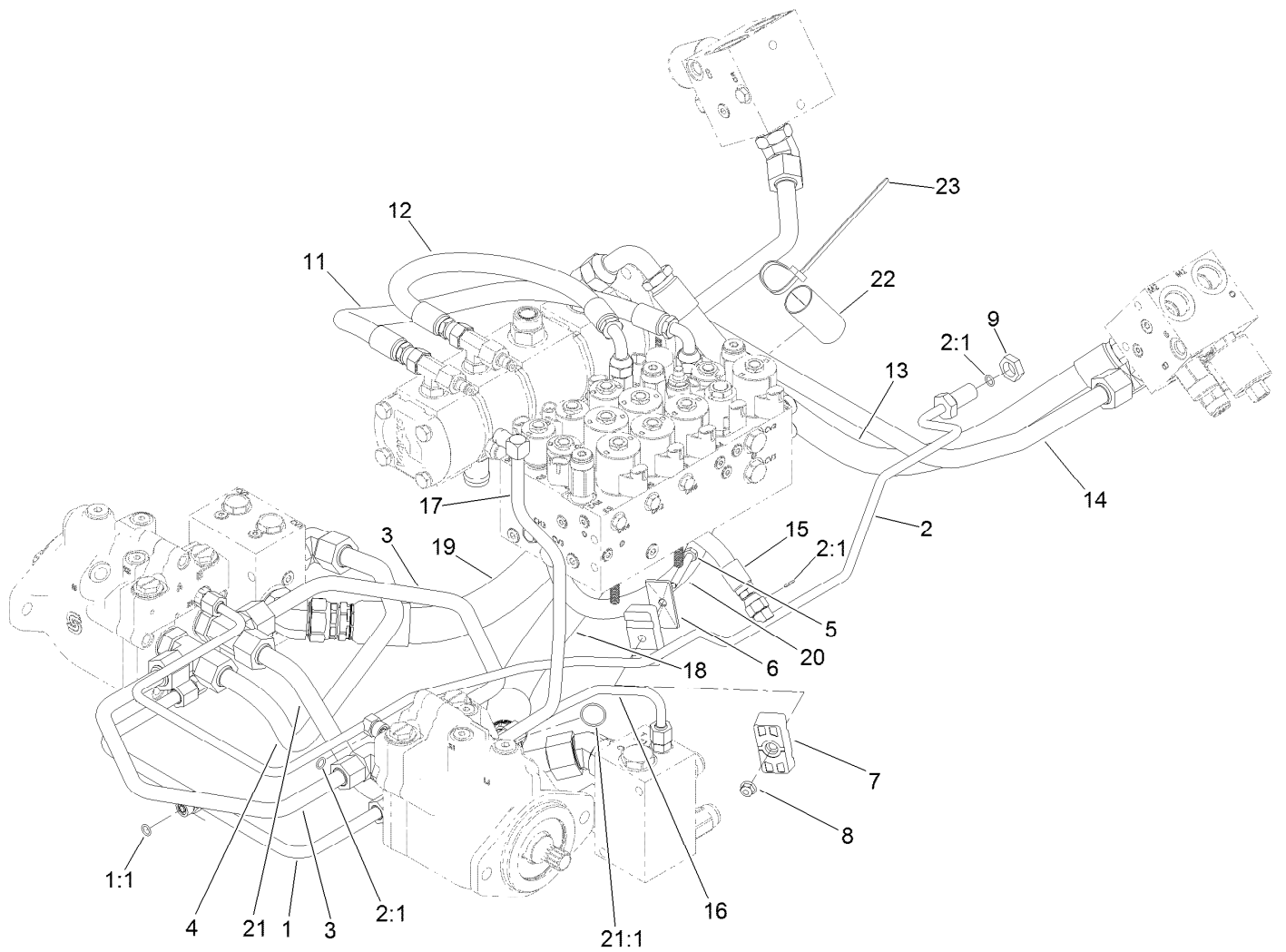
| <i>Ref.</i> | <i>Part Number</i> | <i>Qty.</i> | <i>Description</i> | <i>Ref.</i> | <i>Part Number</i> | <i>Qty.</i> | <i>Description</i> |
|-------------|--------------------|-------------|----------------------------|-------------|--------------------|-------------|--------------------|
| 1 | 120-9074 | 1 | Tube-Fan | 12 | 340-70 | 2 | Nut-Lock |
| 2 | 120-8966 | 1 | Tube-Drain, Fan | 13 | 127-3736 | 1 | Hose-HYD |
| 2:1 | 237-22 | 1 | O-Ring | 14 | 100-3833 | 1 | Hose-HYD |
| 3 | 120-9075 | 1 | Tube-Fan | 15 | 121-1567 | 1 | Hose-HYD |
| 4 | 59-7410 | 2 | Fitting-Diagnostic | 16 | 121-1565 | 1 | Tube-Tee |
| 4:1 | 237-42 | 1 | O-Ring | 16:1 | 237-22 | 3 | O-Ring |
| 5 | 132-6145 | 1 | Tube-HYD | 17 | 121-1510 | 1 | Tube-HYD |
| 6 | 127-3737 | 1 | Hose-HYD | 18 | 121-1566 | 1 | Hose-HYD |
| 7 | 127-3738 | 1 | Hose-HYD | 19 | 86-2440 | 1 | Hose-HYD |
| 8 | 121-1509 | 1 | Tube-HYD | 20 | 3290-378 | 7 | Tie-Cable |
| 8:1 | 237-30 | 3 | O-Ring | 21 | 121-1544 | 3 | Cover-Hose |
| 8:2 | 237-65 | 1 | O-Ring | 22 | 121-1504 | 1 | Hose-HYD |
| 9 | 340-127 | 2 | Nut-Bulkhead | 23 | 127-9632 | 1 | Hose-HYD |
| 10 | 132-6146 | 1 | Tube-HYD | 24 | 121-1503 | 1 | Hose-HYD |
| 11 | 340-71 | 2 | Fitting-Straight, Bulkhead | 25 | 354-79 | 2 | Cap-Dust |
| 11:1 | 237-22 | 2 | O-Ring | 26 | 114-7702 | 1 | Hose-HYD |

Oil Cooler Hydraulic Assembly



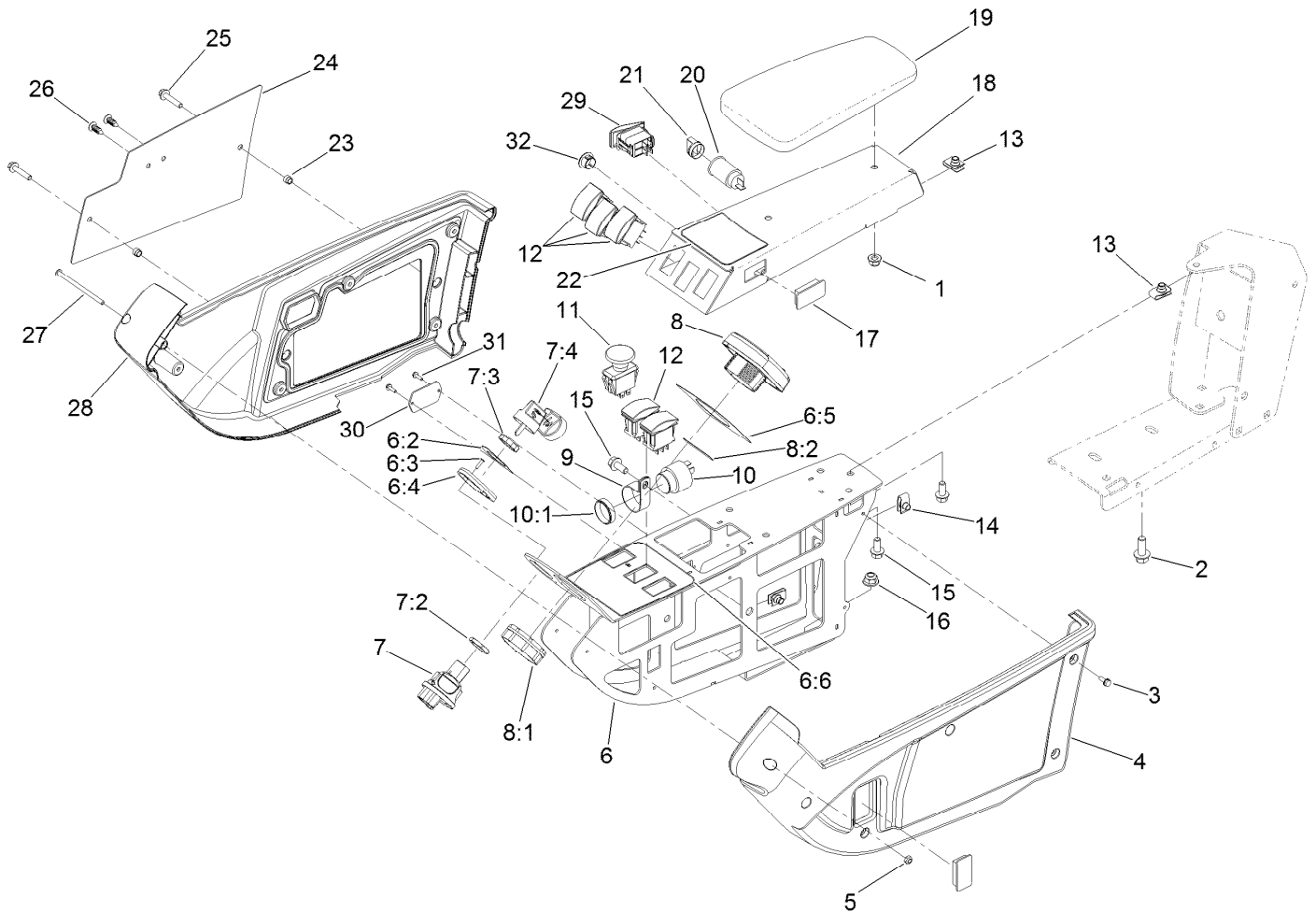
Oil Cooler Hydraulic Assembly (continued)

| <i>Ref.</i> | <i>Part Number</i> | <i>Qty.</i> | <i>Description</i> | <i>Ref.</i> | <i>Part Number</i> | <i>Qty.</i> | <i>Description</i> |
|-------------|--------------------|-------------|--------------------|-------------|--------------------|-------------|------------------------|
| 1 | 120-9060 | 1 | Hose-HYD | 9 | 120-8838 | 1 | Tube-PTO, Front Return |
| 2 | 121-1612 | 1 | Tube ASM | 10 | 121-1572 | 1 | Hose-HYD |
| 2:3 | 340-65 | 1 | O-Ring | 11 | 121-1559 | 1 | Hose-HYD |
| 3 | 121-1626 | 1 | Tube-HYD | 12 | 115-4384 | 1 | Hose-HYD |
| 4 | 121-1507 | 1 | Tube ASM | 13 | 121-1584 | 1 | Tube-HYD |
| 4:1 | 237-58 | 1 | O-Ring | 13:1 | 237-22 | 1 | O-Ring |
| 5 | 69-8910 | 2 | Washer | 14 | 121-1583 | 1 | Hose-HYD |
| 6 | 240-7 | 1 | Grommet-Rubber | 15 | 121-1558 | 1 | Fitting-Tee |
| 7 | 69-8900 | 1 | Spacer | 15:1 | 237-30 | 2 | O-Ring |
| 8 | 340-126 | 1 | Nut-Bulkhead | | | | |



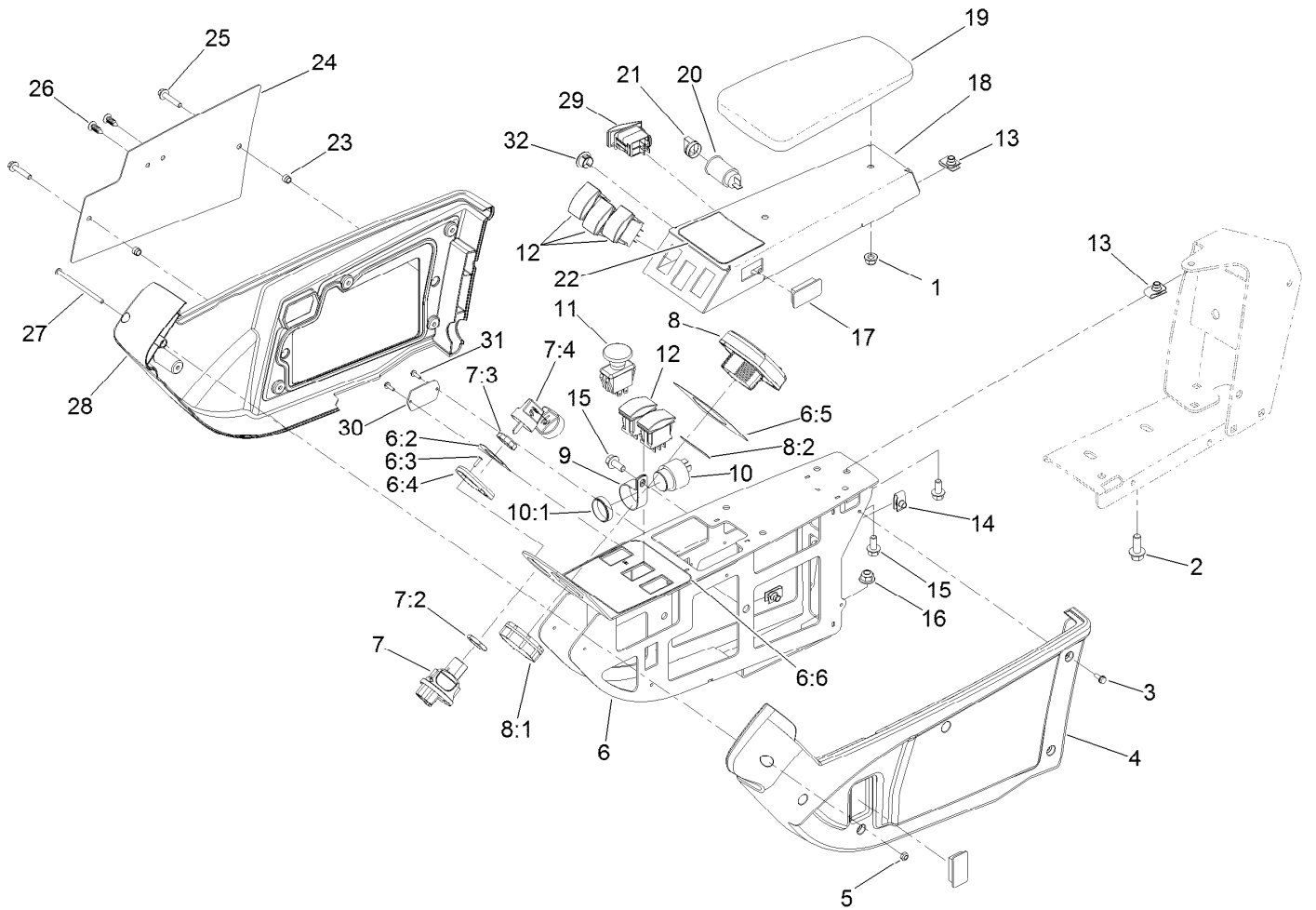
Traction Hydraulic Assembly

| <i>Ref.</i> | <i>Part Number</i> | <i>Qty.</i> | <i>Description</i> | <i>Ref.</i> | <i>Part Number</i> | <i>Qty.</i> | <i>Description</i> |
|-------------|--------------------|-------------|--------------------|-------------|--------------------|-------------|--------------------|
| 1 | 120-9080 | 1 | Tube ASM | 13 | 115-4384 | 1 | Hose-HYD |
| 1:1 | 237-22 | 1 | O-Ring | 14 | 120-8834 | 1 | Tube-PTO, LH To RH |
| 2 | 121-1552 | 1 | Tube ASM | 15 | 104-2234 | 1 | Hose-HYD |
| 2:1 | 237-22 | 3 | O-Ring | 16 | 121-1480 | 1 | Tube-HYD |
| 3 | 120-9079 | 2 | Tube-HYD | 17 | 120-8961 | 1 | Tube-Return, Front |
| 4 | 121-1546 | 1 | Tube-HYD | 18 | 132-6142 | 1 | Hose-HYD |
| 5 | 322-11 | 1 | Screw-HH | 19 | 132-6141 | 1 | Hose-HYD |
| 6 | 69-9761 | 1 | Plate-Cover | 20 | 132-6241 | 1 | Hose-HYD |
| 7 | 120-3200 | 2 | Clamp-Tube | 21 | 121-1581 | 1 | Tube-Tee |
| 8 | 104-8300 | 1 | Nut-HF, NI | 21:1 | 340-65 | 1 | O-Ring |
| 9 | 340-70 | 1 | Nut-Lock | 22 | AU112950 | 1 | Protector-Hose |
| 11 | 104-2807 | 1 | Hose-HYD | 23 | 3290-378 | 3 | Tie-Cable |
| 12 | 104-4584 | 1 | Hose-HYD | | | | |



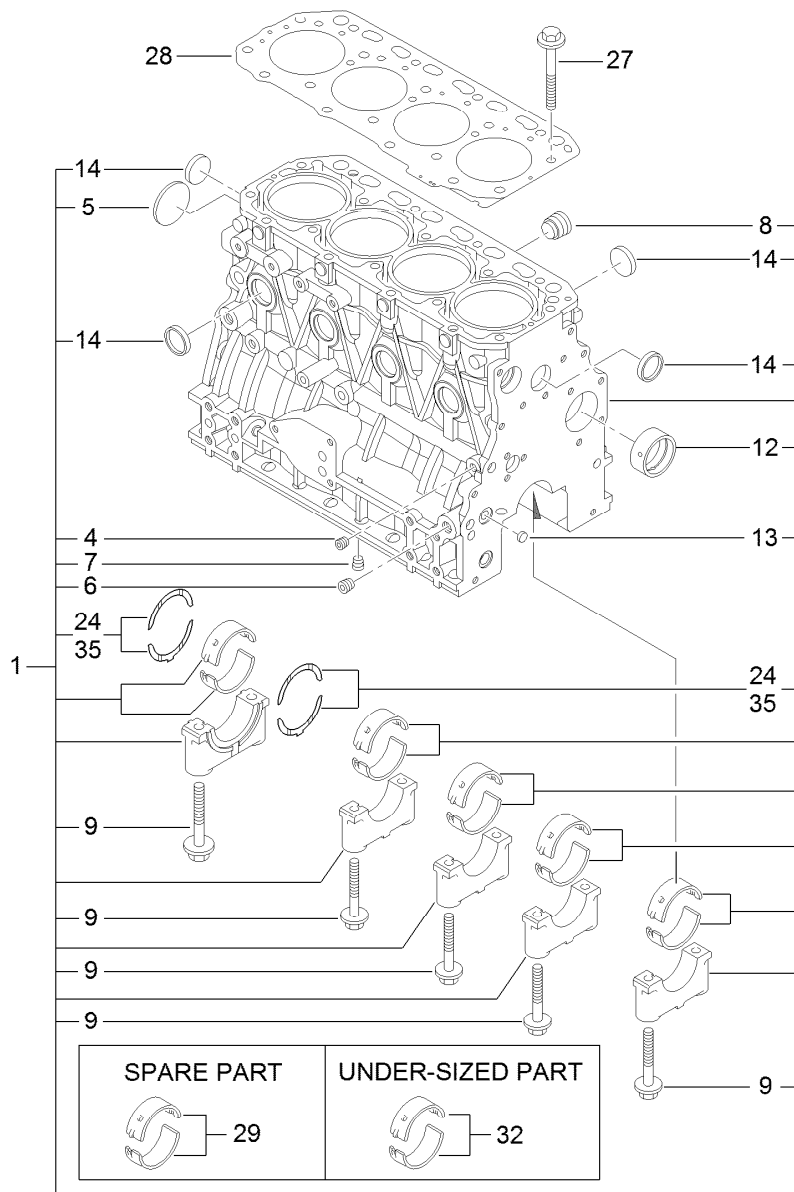
Armrest Control Panel Assembly

| Ref. | Part Number | Qty. | Description | Ref. | Part Number | Qty. | Description |
|------|-------------|------|------------------------|------|-------------|------|------------------------------|
| 1 | 104-8300 | 2 | Nut-HF, NI | 11 | 93-9999 | 1 | Switch-PTO |
| 2 | 3234-42 | 2 | Screw-HHF | 12 | 100-1535 | 5 | Switch-Rocker, (On)-Off-(On) |
| 3 | 32144-112 | 10 | Screw-HWH | 13 | 94-2413 | 6 | Nut-U |
| 4 | 108-7604 | 1 | Cover-LH | 14 | 107069 | 2 | Clip |
| 5 | 3296-12 | 1 | Nut-Lock, NI | 15 | 3234-5 | 6 | Screw-HHF |
| 6 | 120-4155 | 1 | Panel ASM | 16 | 104-8301 | 2 | Nut-HF, NI |
| 6:2 | 121-3884 | 1 | Decal-Console, Upper | 17 | 99-7420 | 2 | Plug-Hole |
| 6:3 | 3269-17 | 2 | Rivet-Pop | 18 | 136-4389-03 | 1 | Panel-Control |
| 6:4 | 121-3889 | 1 | Step-Elevated, Switch | 19 | 108-7602 | 1 | Rest-Arm |
| 6:5 | 121-3887 | 1 | Decal-Console, Display | 20 | 99-7411 | 1 | Point-Power |
| 6:6 | 120-4159 | 1 | Decal-Console, Lower | 21 | 99-7416 | 1 | Cap |
| 7 | 121-5159 | 1 | Ignition Switch ASM | 22 | 127-3700 | 1 | Decal-Lift |
| 7:2 | 121-5160 | 1 | Nut-Hex | 23 | 110-0542 | 2 | Spacer-Flange |
| 7:3 | 121-5161 | 1 | Nut-Face | 24 | 115-8849-03 | 1 | Plate-Cover |
| 7:4 | 121-5162 | 1 | Set-Key, Ignition | 25 | 3234-21 | 2 | Screw-HHF |
| 8 | 120-6310 | 1 | LCD Display ASM | 26 | 114-4899 | 2 | Rivet-Push |
| 8:1 | 120-4630 | 1 | Nut-Display | 27 | 3250-22 | 1 | Screw-PPH |
| 8:2 | 120-6311 | 1 | Decal-Display | 28 | 108-7605 | 1 | Cover-RH |
| 9 | 2412-74 | 1 | R-Clamp | 29 | 114-3329 | 1 | Switch-Rocker |
| 10 | 80-9330 | 1 | Audio Alarm ASM | 30 | 121-1630 | 1 | Plate-Cover |
| 10:1 | 104-5107 | 1 | Nut-Plastic, Knurled | | | | |



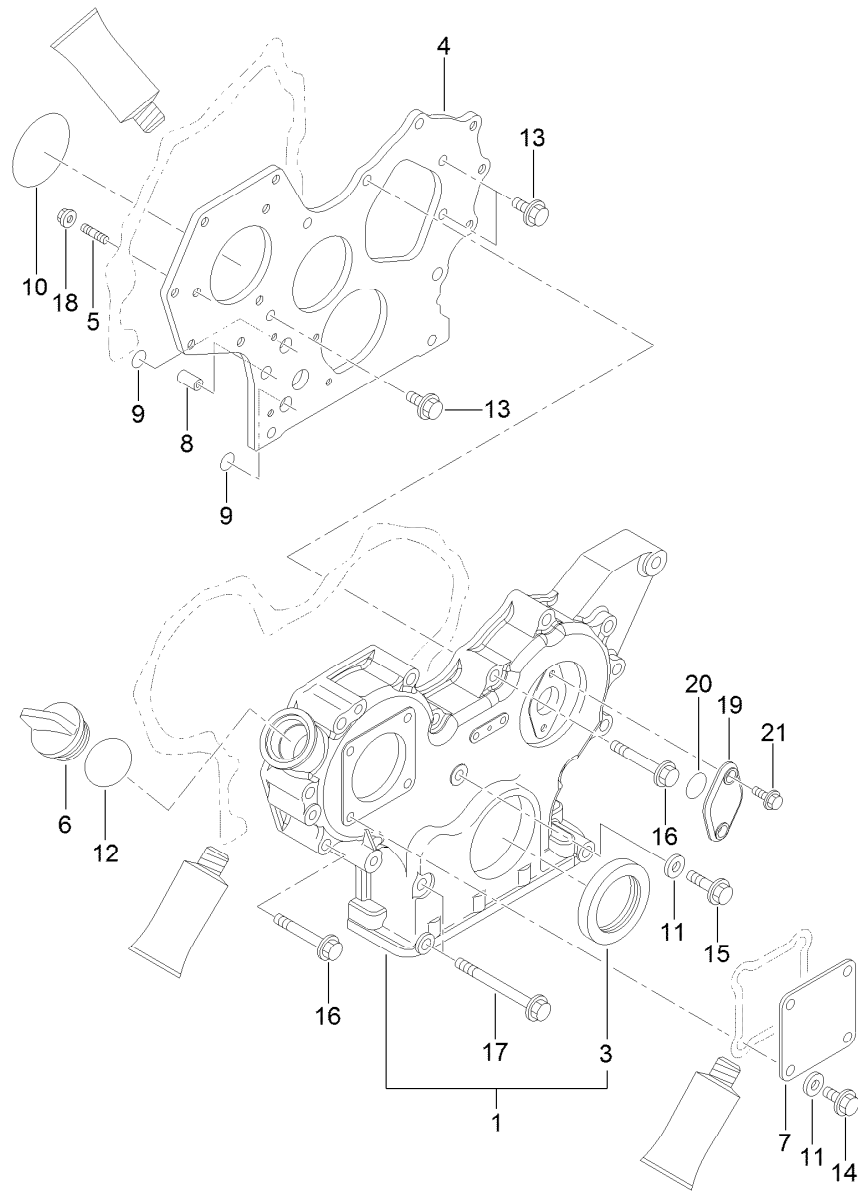
Armrest Control Panel Assembly (continued)

| <i>Ref.</i> | <i>Part Number</i> | <i>Qty.</i> | <i>Description</i> |
|-------------|--------------------|-------------|--------------------|
| 31 | 32144-18 | 2 | Screw-HWH |
| 32 | 94-5627 | 1 | Plug |



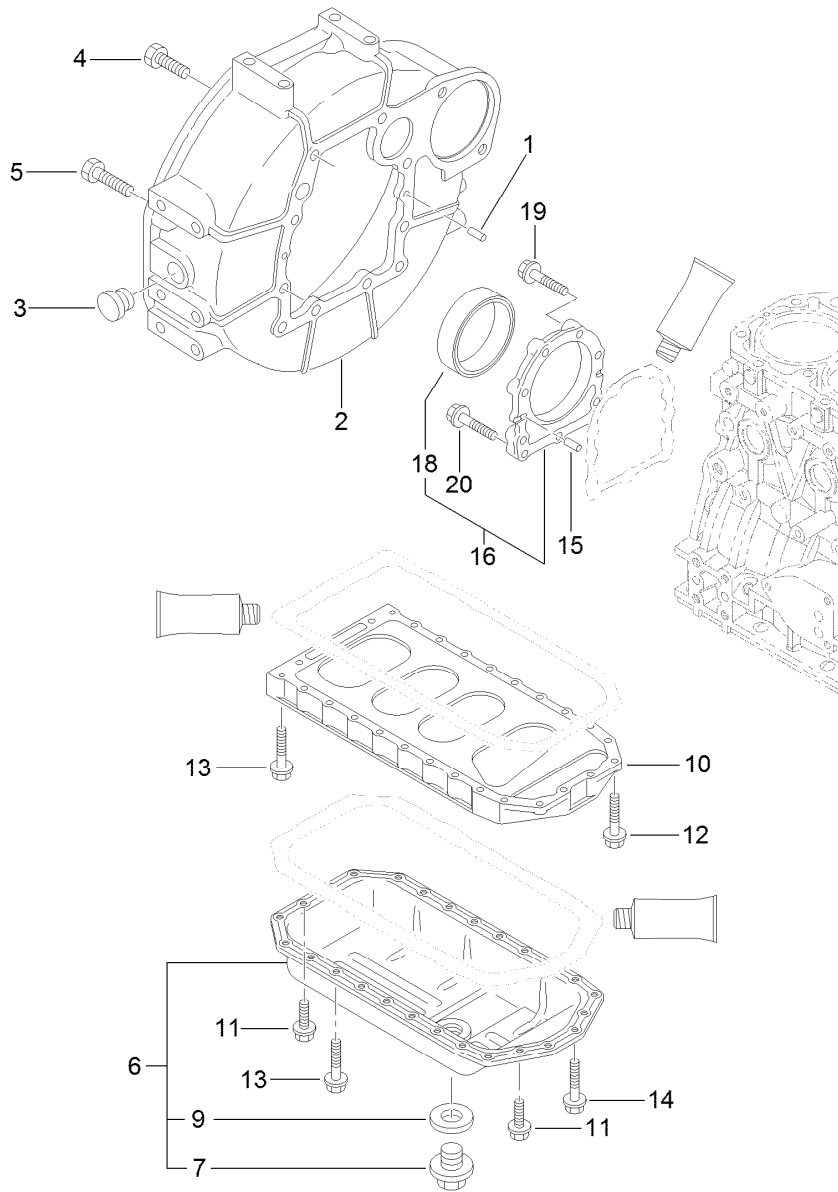
Cylinder Block Assembly

| <i>Ref.</i> | <i>Part Number</i> | <i>Qty.</i> | <i>Description</i> | <i>Ref.</i> | <i>Part Number</i> | <i>Qty.</i> | <i>Description</i> |
|-------------|--------------------|-------------|--------------------|-------------|--------------------|-------------|---------------------|
| 1 | 125-7244 | 1 | Cylinder Block ASM | 13 | 125-7237 | 2 | Plug |
| 4 | 125-6969 | 1 | Plug | 14 | 125-7239 | 8 | Plug |
| 5 | 125-6980 | 1 | Plug | 24 | 125-7010 | 2 | Metal-Thrust |
| 6 | 125-6973 | 1 | Plug | 27 | 125-7006 | 18 | Bolt |
| 7 | 125-6973 | 1 | Plug | 28 | 125-7049 | 1 | Gasket-Head |
| 8 | 125-7170 | 1 | Plug | 29 | 125-6981 | 5 | Metal-Main |
| 9 | 125-7007 | 10 | Bolt | 32 | 125-7009 | 5 | Metal-Main (0.25) |
| 12 | 125-7108 | 1 | Bushing | 35 | 125-7011 | 1 | Metal-Thrust (0.25) |



Gear Housing Assembly

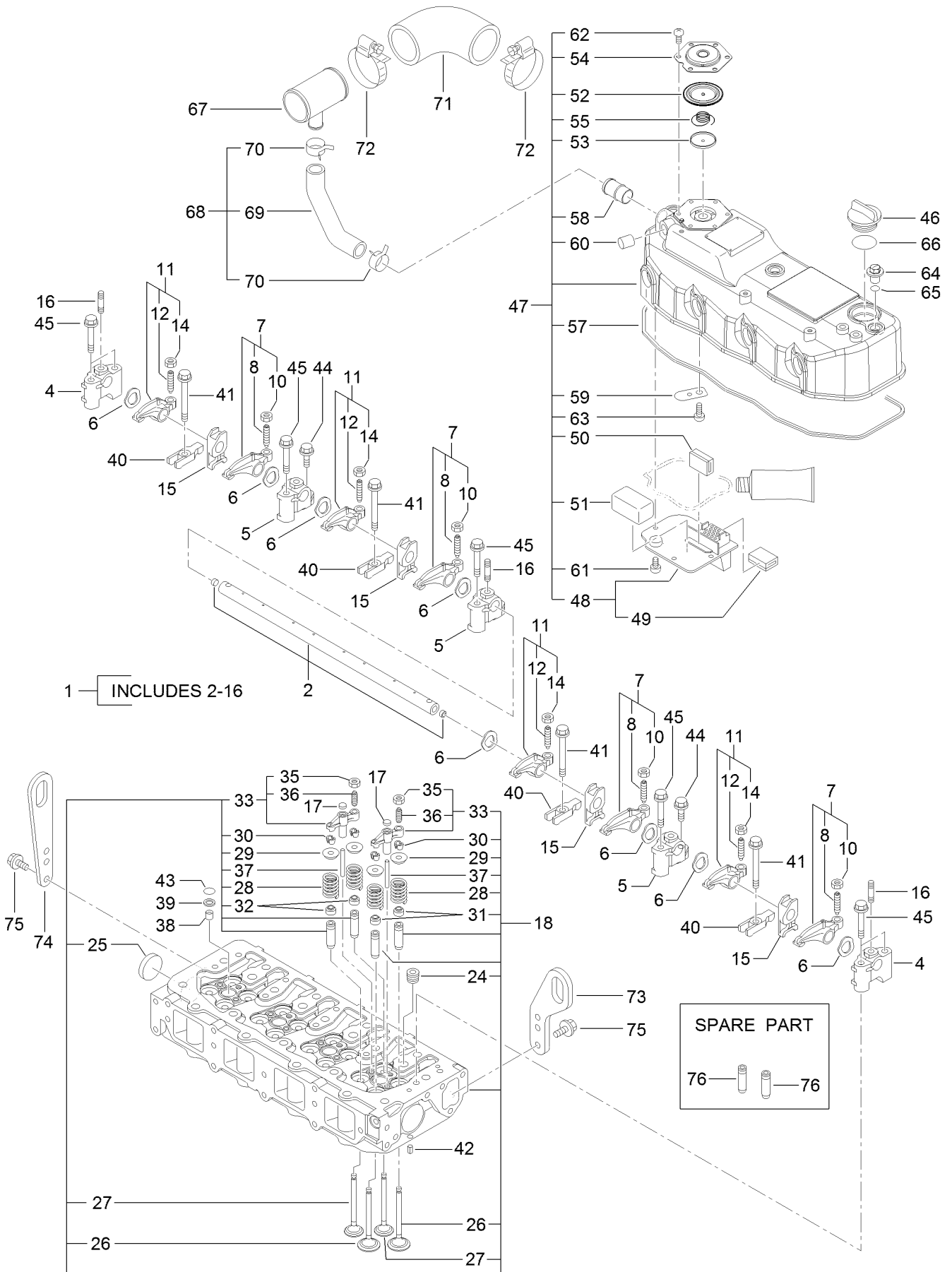
| <i>Ref.</i> | <i>Part Number</i> | <i>Qty.</i> | <i>Description</i> | <i>Ref.</i> | <i>Part Number</i> | <i>Qty.</i> | <i>Description</i> |
|-------------|--------------------|-------------|--------------------|-------------|--------------------|-------------|--------------------|
| 1 | 125-7247 | 1 | Case ASM | 12 | 125-7197 | 1 | O-Ring |
| 3 | 125-6944 | 1 | Seal-Oil | 13 | 125-7214 | 3 | Bolt |
| 4 | 125-6936 | 1 | Flange | 14 | 125-7214 | 4 | Bolt |
| 5 | 125-6919 | 3 | Stud | 15 | 125-7216 | 1 | Bolt |
| 6 | 125-6972 | 1 | Cover-Filler | 16 | 125-7221 | 12 | Bolt |
| 7 | 125-6977 | 1 | Cover | 17 | 125-7224 | 3 | Bolt |
| 8 | 125-7107 | 2 | Pipe | 18 | 125-7229 | 3 | Nut |
| 9 | 125-6909 | 2 | O-Ring | 19 | 125-6950 | 1 | Cover |
| 10 | 125-6957 | 1 | O-Ring | 20 | 125-7199 | 1 | O-Ring |
| 11 | 125-7174 | 5 | Washer-Seal | 21 | 125-7208 | 2 | Bolt |



Flywheel Housing and Oil Sump Assembly

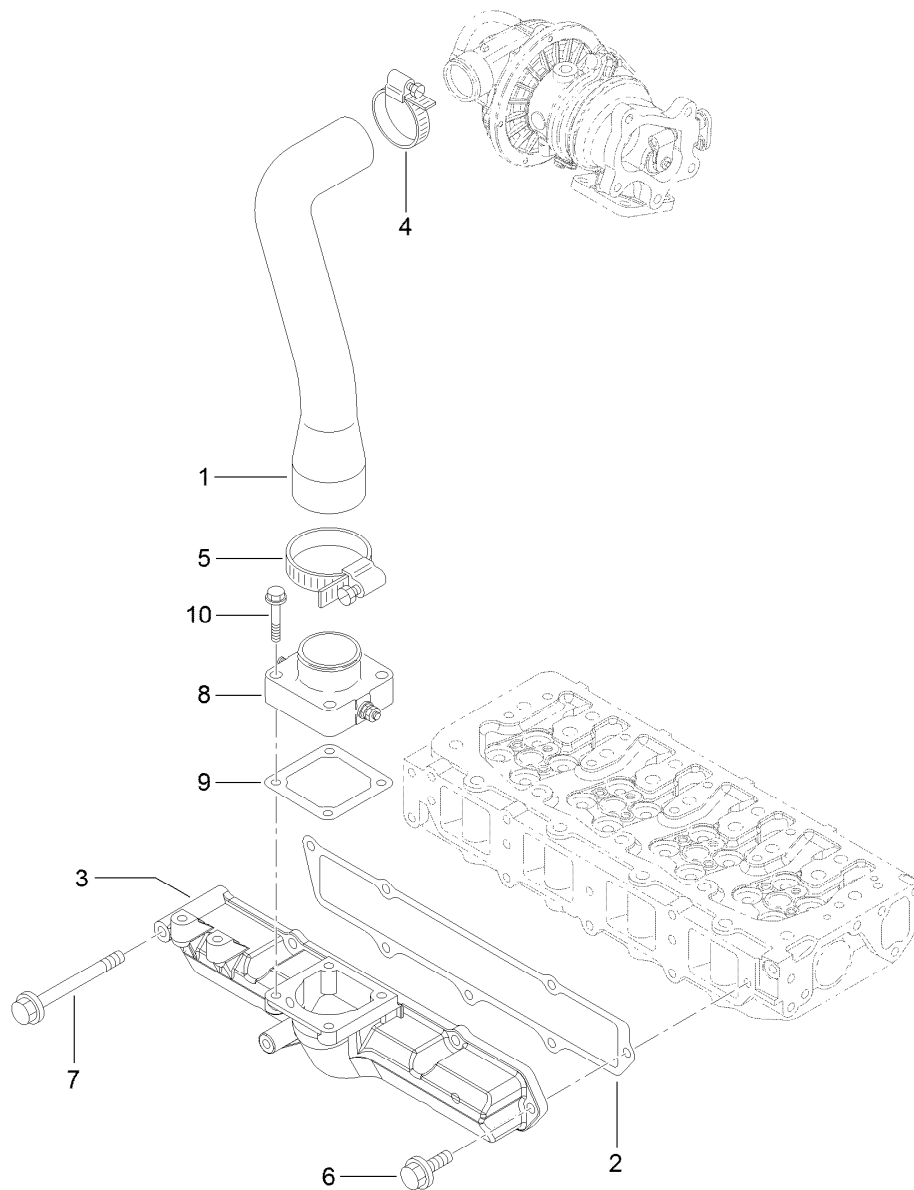
| <i>Ref.</i> | <i>Part Number</i> | <i>Qty.</i> | <i>Description</i> | <i>Ref.</i> | <i>Part Number</i> | <i>Qty.</i> | <i>Description</i> |
|-------------|--------------------|-------------|--------------------|-------------|--------------------|-------------|--------------------|
| 1 | 125-6995 | 2 | Pin | 11 | 125-7214 | 4 | Bolt |
| 2 | 125-7100 | 1 | Housing | 12 | 125-7215 | 2 | Bolt |
| 3 | 125-6910 | 1 | Cap | 13 | 125-7219 | 20 | Bolt |
| 4 | 125-7226 | 6 | Bolt | 14 | 125-7220 | 4 | Bolt |
| 5 | 125-7227 | 4 | Bolt | 15 | 125-6995 | 2 | Pin |
| 6 | 125-7241 | 1 | Oil Sump ASM | 16 | 125-6996 | 1 | Case ASM |
| 7 | 125-6912 | 1 | Plug-Drain | 18 | 125-7106 | 1 | Seal-Oil |
| 9 | 125-7177 | 1 | Washer-Seal | 19 | 125-7045 | 6 | Bolt |
| 10 | 125-7035 | 1 | Spacer | 20 | 125-7217 | 3 | Bolt |

Cylinder Head and Bonnet Assembly



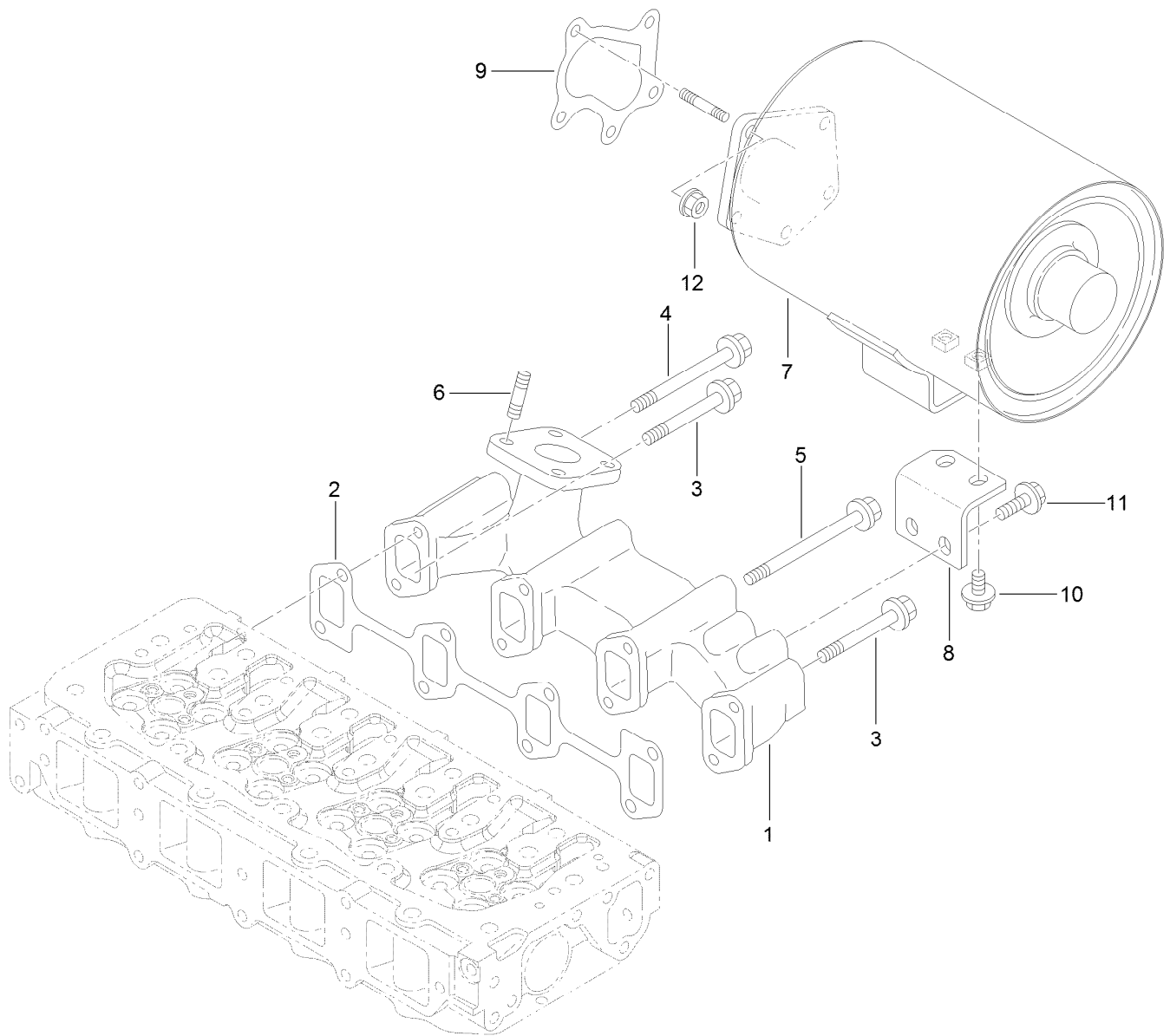
Cylinder Head and Bonnet Assembly (continued)

| <i>Ref.</i> | <i>Part Number</i> | <i>Qty.</i> | <i>Description</i> | <i>Ref.</i> | <i>Part Number</i> | <i>Qty.</i> | <i>Description</i> |
|-------------|--------------------|-------------|---------------------|-------------|--------------------|-------------|--------------------|
| 1 | 125-7055 | 1 | Shaft ASM | 43 | 93-0418 | 4 | O-Ring |
| 2 | 125-7056 | 1 | Shaft | 44 | 125-7215 | 3 | Bolt |
| 4 | 125-7057 | 2 | Support | 45 | 125-7220 | 7 | Bolt |
| 5 | 125-7058 | 3 | Support | 46 | 125-6972 | 1 | Cover-Filler |
| 6 | 125-7059 | 8 | Washer | 47 | 125-7099 | 1 | Bonnet ASM |
| 7 | 125-7061 | 4 | Arm-Rocker | 48 | 125-7050 | 1 | Plate |
| 8 | 125-7013 | 4 | Screw-Adjust, Valve | 49 | 125-6920 | 1 | Baffle |
| 10 | 125-7014 | 4 | Nut | 50 | 125-7012 | 1 | Baffle |
| 11 | 125-7062 | 4 | Arm-Rocker | 51 | 125-7118 | 1 | Baffle-Breather |
| 12 | 125-7013 | 4 | Screw-Adjust, Valve | 52 | 125-6959 | 1 | Diaphragm |
| 14 | 125-7014 | 4 | Nut | 53 | 125-6960 | 1 | Plate |
| 15 | 125-7593 | 1 | Retainer | 54 | 125-6961 | 1 | Plate-Breather |
| 16 | 125-7228 | 3 | Stud | 55 | 125-6962 | 1 | Spring-Diaphragm |
| 17 | 125-6963 | 8 | Seat-Bridge, Valve | 57 | 125-7060 | 1 | Gasket |
| 18 | 125-7089 | 1 | Cylinder Head ASM | 58 | 125-6982 | 1 | Pipe |
| 24 | 125-7196 | 4 | Plug | 59 | 125-6994 | 1 | Spring |
| 25 | 125-7240 | 2 | Plug | 60 | 125-6913 | 1 | Plug |
| 26 | 125-7051 | 8 | Valve | 61 | 125-7186 | 4 | Screw |
| 27 | 125-7052 | 8 | Valve | 62 | 125-7186 | 6 | Screw |
| 28 | 125-7053 | 16 | Spring | 63 | 125-7186 | 1 | Screw |
| 29 | 125-7054 | 16 | Retainer | 64 | 125-6974 | 3 | Knob |
| 30 | 125-6914 | 32 | Cotter | 65 | 93-0418 | 3 | O-Ring |
| 31 | 125-6915 | 8 | Seal-Stem, Valve | 66 | 125-7197 | 1 | O-Ring |
| 32 | 125-6916 | 8 | Seal-Stem, Valve | 67 | 125-7086 | 1 | Joint |
| 33 | 125-7104 | 8 | Bridge ASM | 68 | 125-7087 | 1 | Hose ASM |
| 35 | 125-7014 | 8 | Nut | 69 | 125-7088 | 1 | Hose |
| 36 | 125-6965 | 8 | Adjuster | 70 | 125-7040 | 2 | Clip-Hose |
| 37 | 125-7063 | 8 | Guide | 71 | 125-7090 | 1 | Hose |
| 38 | 125-6921 | 4 | Protector | 72 | 125-7190 | 2 | Clamp-Hose |
| 39 | 125-6911 | 4 | Seat-Valve | 73 | 125-7046 | 1 | Lifter |
| 40 | 125-7064 | 4 | Retainer | 74 | 125-7111 | 1 | Lifter |
| 41 | 125-7119 | 4 | Bolt | 75 | 125-7214 | 4 | Bolt |
| 42 | 125-7184 | 2 | Pin-Spring | 76 | 125-6917 | 16 | Guide |



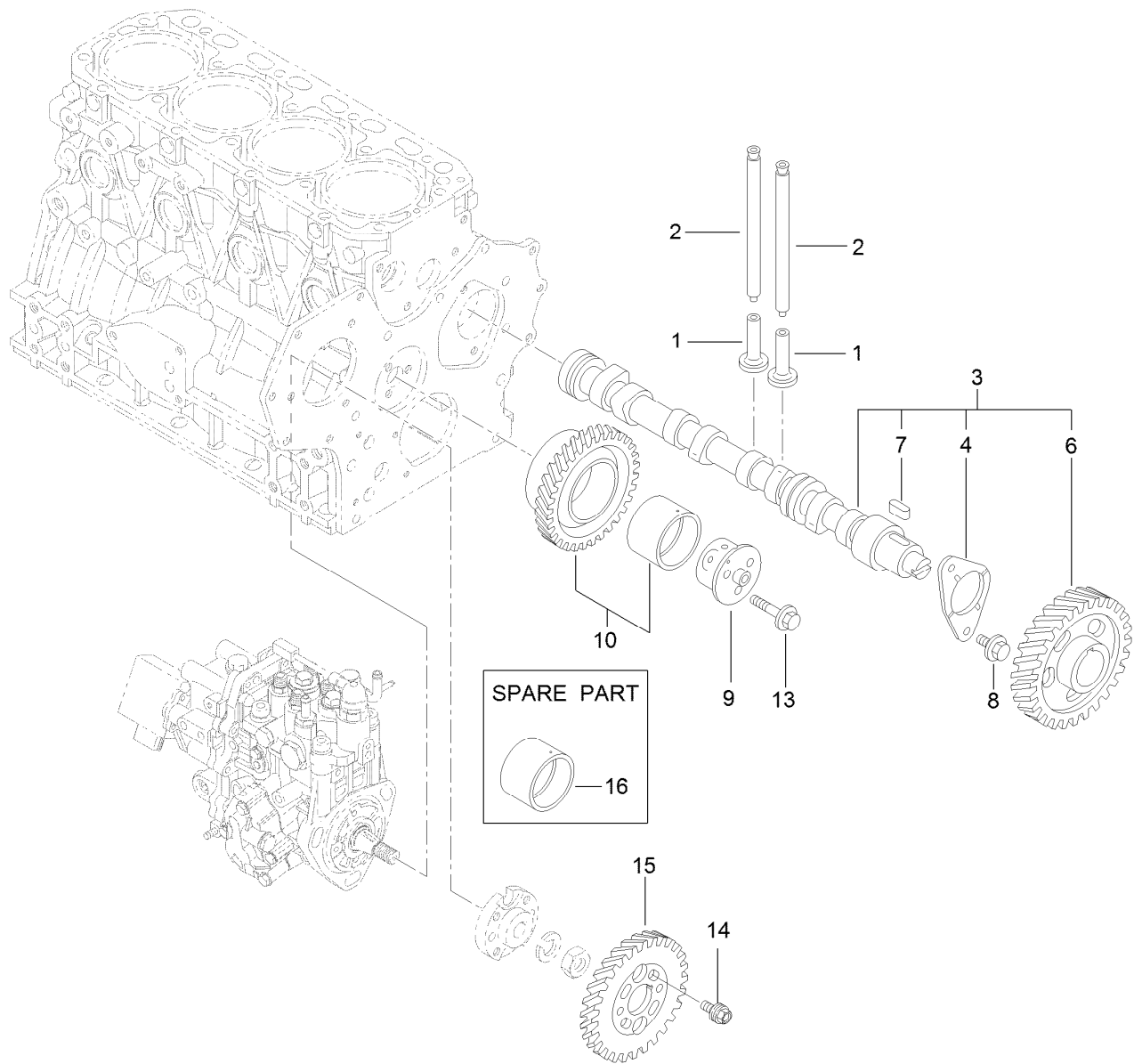
Suction Manifold Assembly

| <i>Ref.</i> | <i>Part Number</i> | <i>Qty.</i> | <i>Description</i> |
|-------------|--------------------|-------------|--------------------|
| 1 | 125-7065 | 1 | Pipe |
| 2 | 125-7066 | 1 | Gasket |
| 3 | 125-7067 | 1 | Manifold-Intake |
| 4 | 125-7189 | 1 | Clamp-Hose |
| 5 | 125-7190 | 1 | Clamp-Hose |
| 6 | 125-7595 | 6 | Bolt |
| 7 | 125-7223 | 1 | Bolt |
| 8 | 125-7002 | 1 | Heater |
| 9 | 125-7028 | 1 | Gasket |
| 10 | 125-7217 | 4 | Bolt |



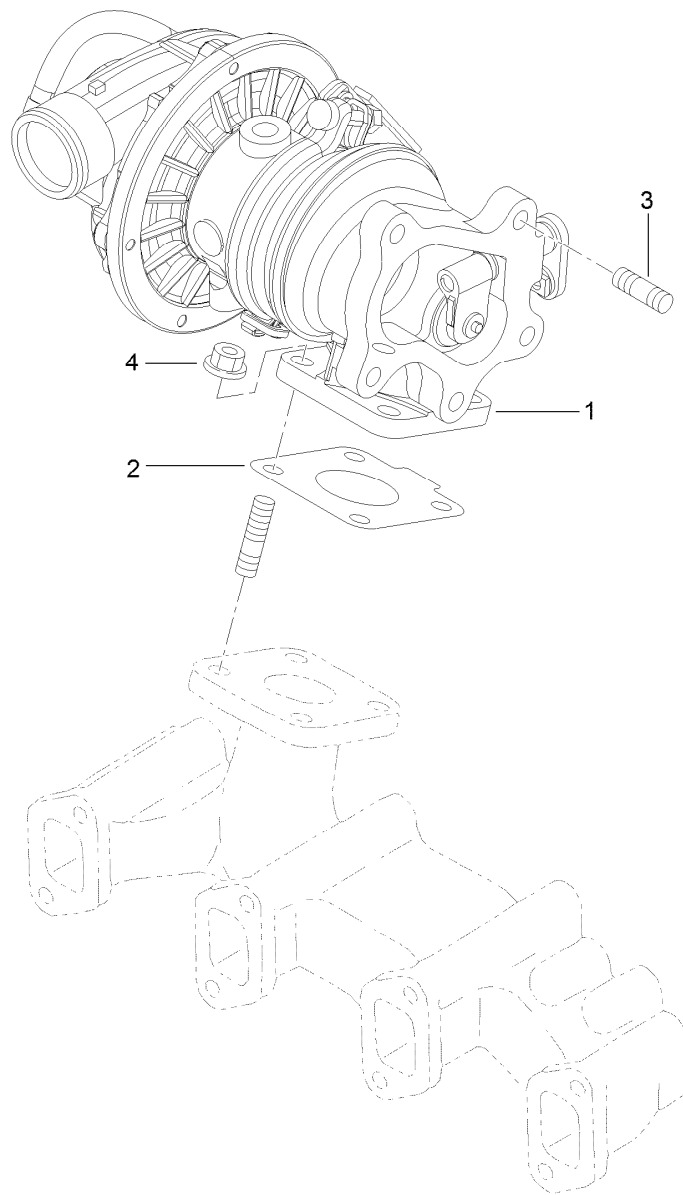
Exhaust Manifold and Silencer Assembly

| <i>Ref.</i> | <i>Part Number</i> | <i>Qty.</i> | <i>Description</i> |
|-------------|--------------------|-------------|--------------------|
| 1 | 125-7093 | 1 | Manifold-Exhaust |
| 2 | 125-7096 | 1 | Gasket |
| 3 | 125-6922 | 3 | Bolt |
| 4 | 125-6923 | 1 | Bolt |
| 5 | 125-6924 | 4 | Bolt |
| 6 | 125-6906 | 4 | Stud |
| 7 | 125-7094 | 1 | Silencer |
| 8 | 125-7095 | 1 | Support-Silencer |
| 9 | 125-7071 | 1 | Gasket |
| 10 | 125-7213 | 2 | Bolt |
| 11 | 125-7595 | 2 | Bolt |
| 12 | 125-7229 | 5 | Nut |



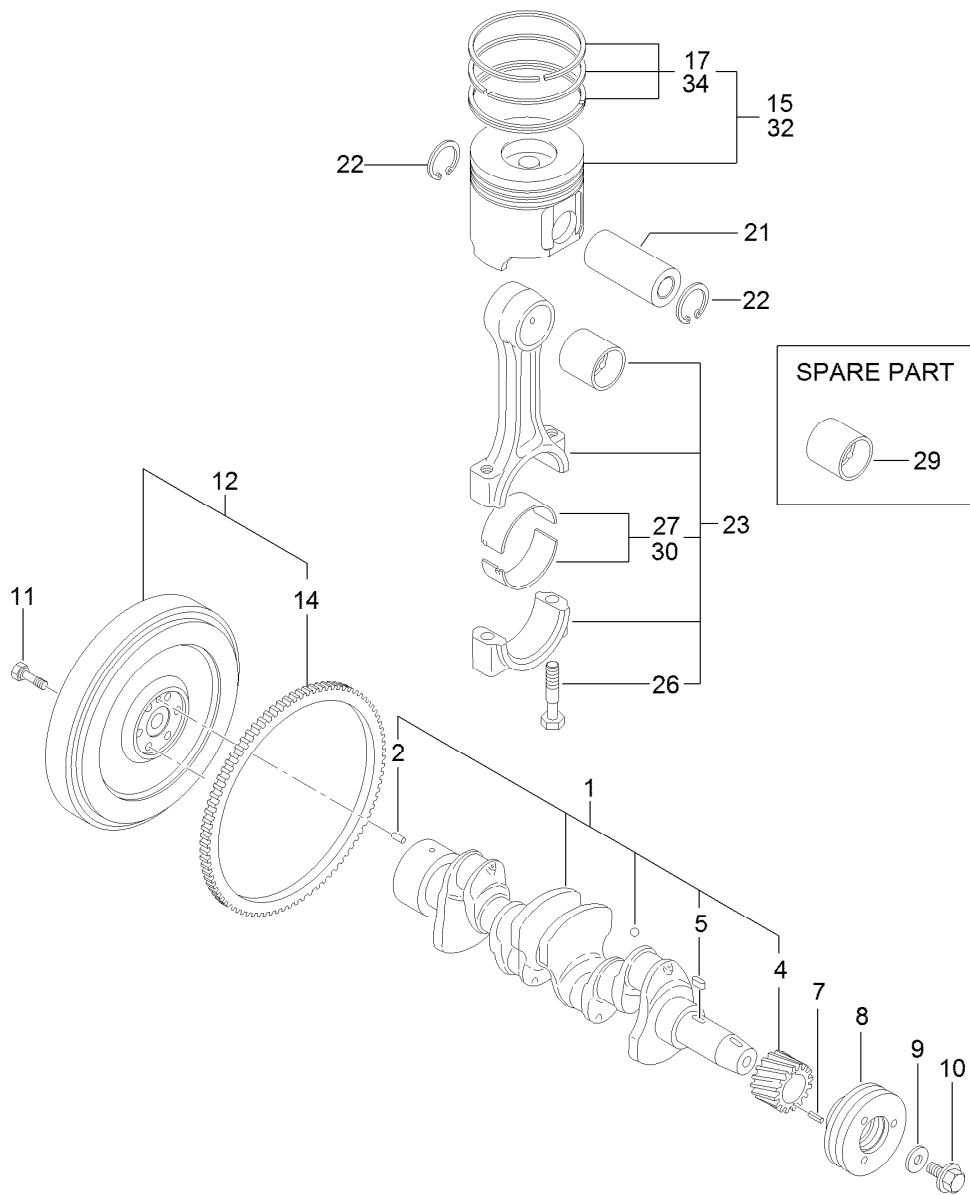
Camshaft and Driving Gear Assembly

| Ref. | Part Number | Qty. | Description |
|------|-------------|------|--------------|
| 1 | 125-7016 | 8 | Tappet |
| 2 | 125-7017 | 8 | Rod-Push |
| 3 | 125-7068 | 1 | Camshaft ASM |
| 4 | 125-7008 | 1 | Metal-Thrust |
| 6 | 125-7015 | 1 | Gear |
| 7 | 125-7185 | 1 | Key |
| 8 | 125-7213 | 2 | Bolt |
| 9 | 125-6938 | 1 | Shaft |
| 10 | 125-6928 | 1 | Gear ASM |
| 13 | 125-7218 | 3 | Bolt |
| 14 | 125-7020 | 4 | Bolt |
| 15 | 125-6929 | 1 | Gear |
| 16 | 125-6927 | 1 | Bushing |



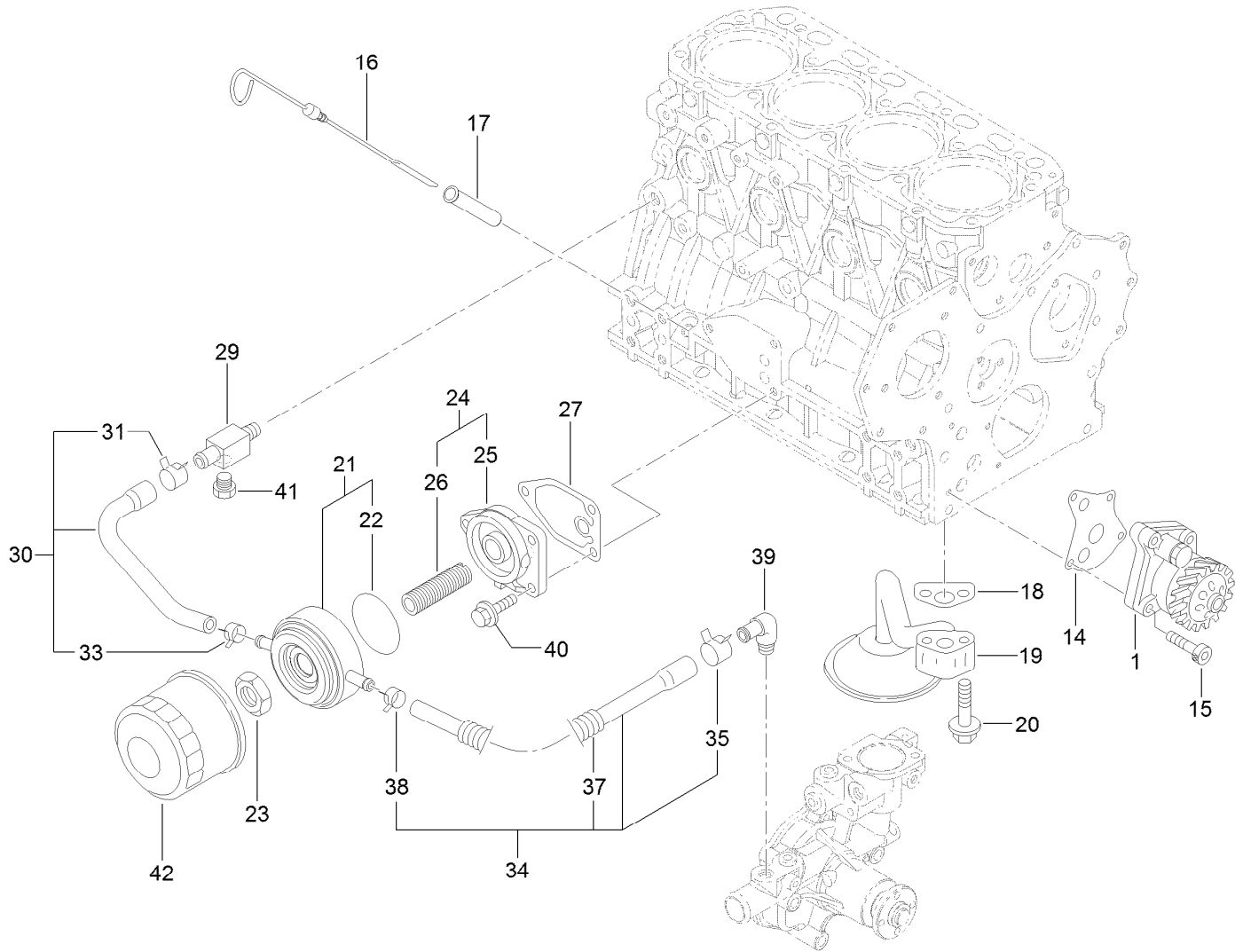
Turbine Assembly

| <i>Ref.</i> | <i>Part Number</i> | <i>Qty.</i> | <i>Description</i> |
|-------------|--------------------|-------------|--------------------|
| 1 | 125-7069 | 1 | Turbine |
| 2 | 125-7070 | 1 | Gasket |
| 3 | 125-7043 | 5 | Stud |
| 4 | 125-7229 | 4 | Nut |



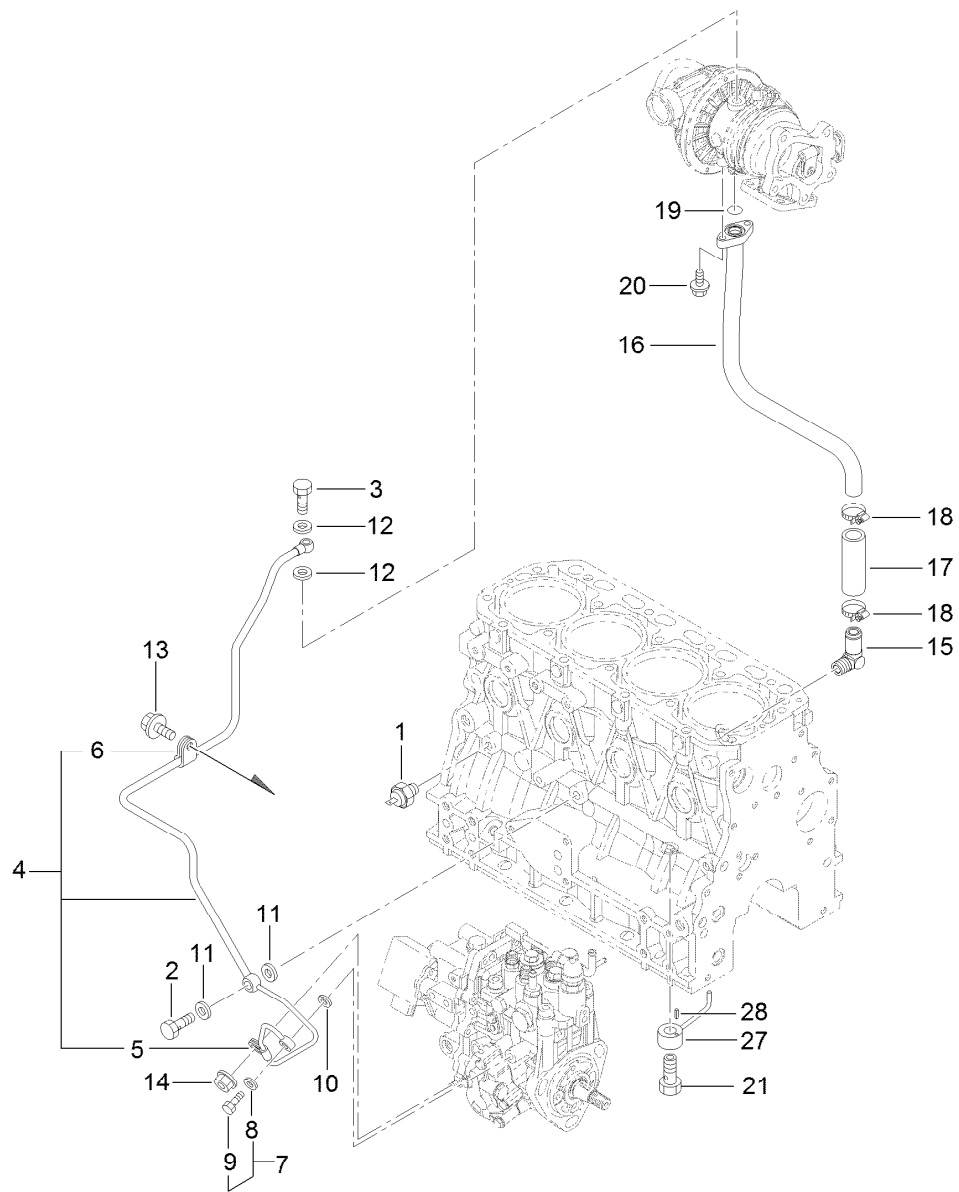
Crankshaft and Piston Assembly

| <i>Ref.</i> | <i>Part Number</i> | <i>Qty.</i> | <i>Description</i> | <i>Ref.</i> | <i>Part Number</i> | <i>Qty.</i> | <i>Description</i> |
|-------------|--------------------|-------------|--------------------|-------------|--------------------|-------------|-----------------------|
| 1 | 125-7091 | 1 | Crankshaft ASM | 15 | 125-7072 | 4 | Piston ASM |
| 2 | 125-6995 | 1 | Pin | 17 | 125-6983 | 4 | Piston Ring Set |
| 4 | 125-6937 | 1 | Gear | 21 | 125-7030 | 4 | Pin |
| 5 | 125-7185 | 1 | Key | 22 | 125-7180 | 8 | Ring |
| 7 | 125-7182 | 1 | Pin-Spring | 23 | 125-7242 | 4 | Connecting Rod ASM |
| 8 | 125-6925 | 1 | V-Pulley | 26 | 125-6955 | 8 | Bolt |
| 9 | 125-7109 | 1 | Washer | 27 | 125-7018 | 4 | Pin-Crank |
| 10 | 125-6956 | 1 | Bolt | 29 | 125-6997 | 4 | Pin-Piston |
| 11 | 125-6951 | 6 | Bolt | 30 | 125-7019 | 4 | Pin-Crank (.25) |
| 12 | 125-7172 | 1 | Flywheel ASM | 32 | 125-7073 | 4 | Piston ASM (0.25 Os) |
| 14 | 125-6943 | 1 | Gear | 34 | 125-6985 | 4 | Piston Ring Set (.25) |



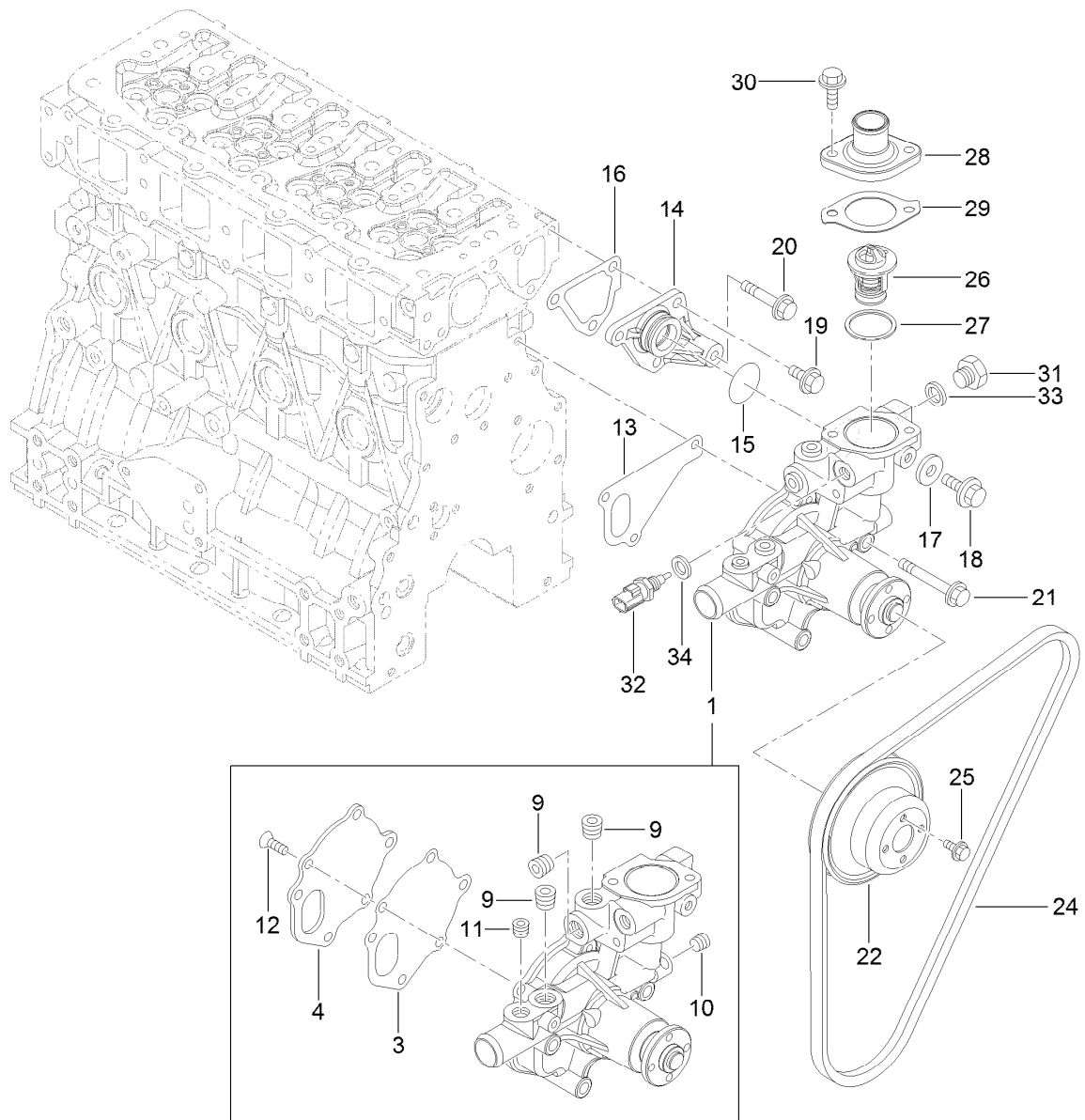
Lubrication and Oil System Assembly

| <i>Ref.</i> | <i>Part Number</i> | <i>Qty.</i> | <i>Description</i> | <i>Ref.</i> | <i>Part Number</i> | <i>Qty.</i> | <i>Description</i> |
|-------------|--------------------|-------------|--------------------|-------------|--------------------|-------------|--------------------|
| 1 | 125-7044 | 1 | Oil Pump ASM | 27 | 125-7024 | 1 | Gasket |
| 14 | 125-7021 | 1 | Gasket | 29 | 125-6990 | 1 | Joint |
| 15 | 125-7232 | 4 | Bolt | 30 | 125-7078 | 1 | Pipe ASM |
| 16 | 125-6987 | 1 | Dipstick | 31 | 125-7162 | 1 | Clip |
| 17 | 125-6954 | 1 | Guide-Dipstick | 33 | 125-7191 | 1 | Clamp-Hose |
| 18 | 125-7022 | 1 | Gasket | 34 | 125-7079 | 1 | Pipe ASM |
| 19 | 125-7023 | 1 | Pipe ASM | 35 | 125-7162 | 1 | Clip |
| 20 | 125-7217 | 2 | Bolt | 37 | 125-6946 | 1 | Tube |
| 21 | 125-7074 | 1 | Cooler ASM | 38 | 125-7191 | 1 | Clamp-Hose |
| 22 | 125-7075 | 1 | O-Ring | 39 | 125-7001 | 1 | Elbow |
| 23 | 125-7041 | 1 | Nut-Cooler, Oil | 40 | 125-7595 | 3 | Bolt |
| 24 | 125-6989 | 1 | Bracket ASM | 41 | 125-7171 | 1 | Plug-Drain |
| 25 | 125-6930 | 1 | Bracket | 42 | 125-7025 | 1 | Filter-Engine |
| 26 | 125-7042 | 1 | Stud | | | | |



Lubrication Oil Line Assembly

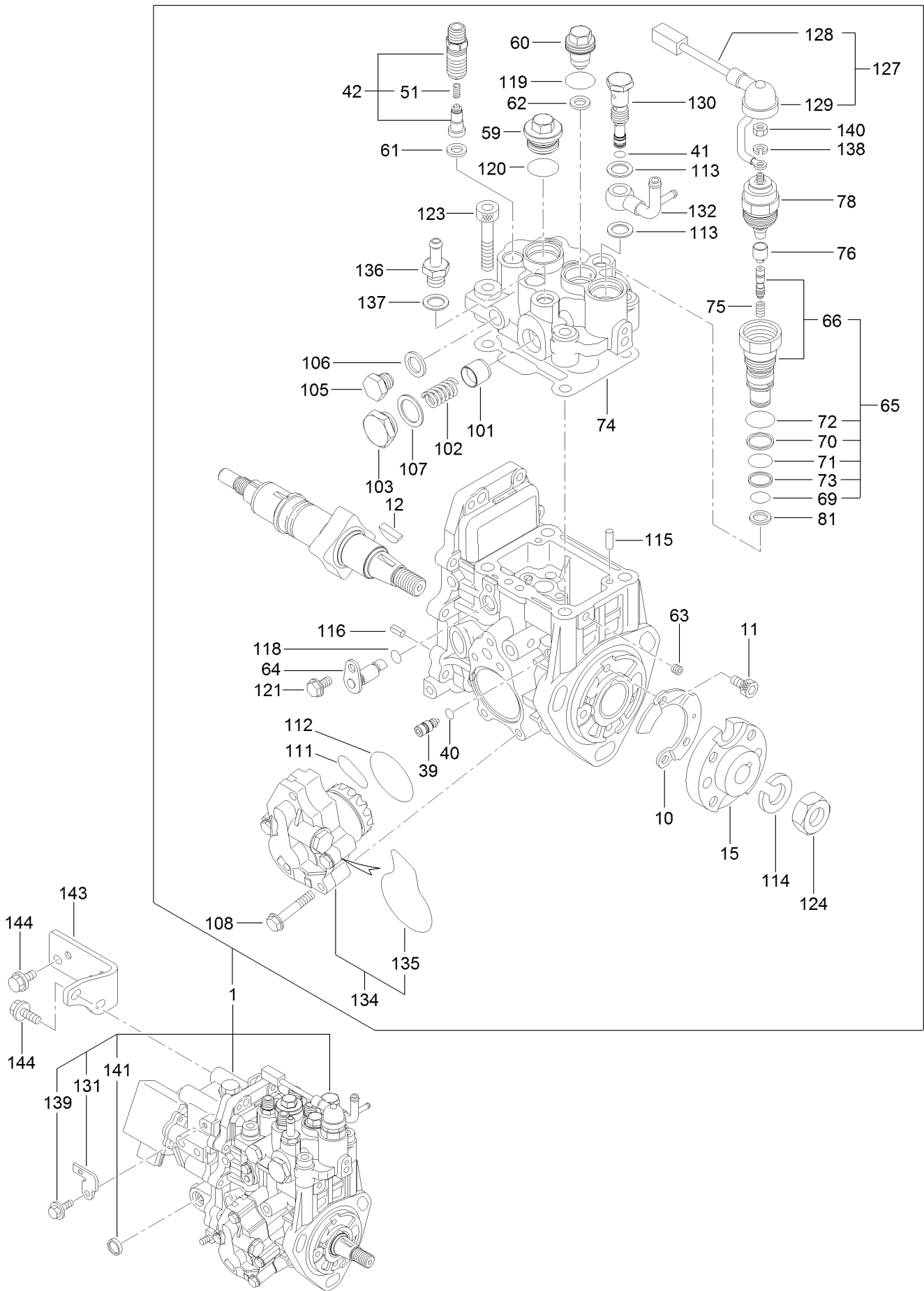
| <i>Ref.</i> | <i>Part Number</i> | <i>Qty.</i> | <i>Description</i> | <i>Ref.</i> | <i>Part Number</i> | <i>Qty.</i> | <i>Description</i> |
|-------------|--------------------|-------------|--------------------|-------------|--------------------|-------------|--------------------|
| 1 | 125-6918 | 1 | Switch-Oil | 13 | 125-7212 | 1 | Bolt |
| 2 | 125-6975 | 1 | Bolt-Joint, Pipe | 14 | 125-7231 | 1 | Nut |
| 3 | 125-6952 | 1 | Bolt-Joint, Pipe | 15 | 125-6971 | 1 | Elbow |
| 4 | 125-7076 | 1 | Pipe ASM | 16 | 125-7077 | 1 | Pipe |
| 5 | 125-6931 | 1 | Retainer | 17 | 125-6958 | 1 | Hose |
| 6 | 125-6976 | 1 | Retainer | 18 | 125-7188 | 2 | Clamp-Hose |
| 7 | 125-6988 | 1 | Joint Bolt ASM | 19 | 125-7198 | 1 | O-Ring |
| 8 | 125-7174 | 1 | Washer-Seal | 20 | 125-7208 | 2 | Bolt |
| 9 | 125-7194 | 1 | Bolt-Joint | 21 | 125-7105 | 4 | Check Valve ASM |
| 10 | 125-7174 | 1 | Washer-Seal | 27 | 125-7098 | 4 | Nozzle |
| 11 | 125-7175 | 2 | Washer-Seal | 28 | 125-7182 | 4 | Pin-Spring |
| 12 | 125-7193 | 2 | Gasket | | | | |



Cooling Water System Assembly

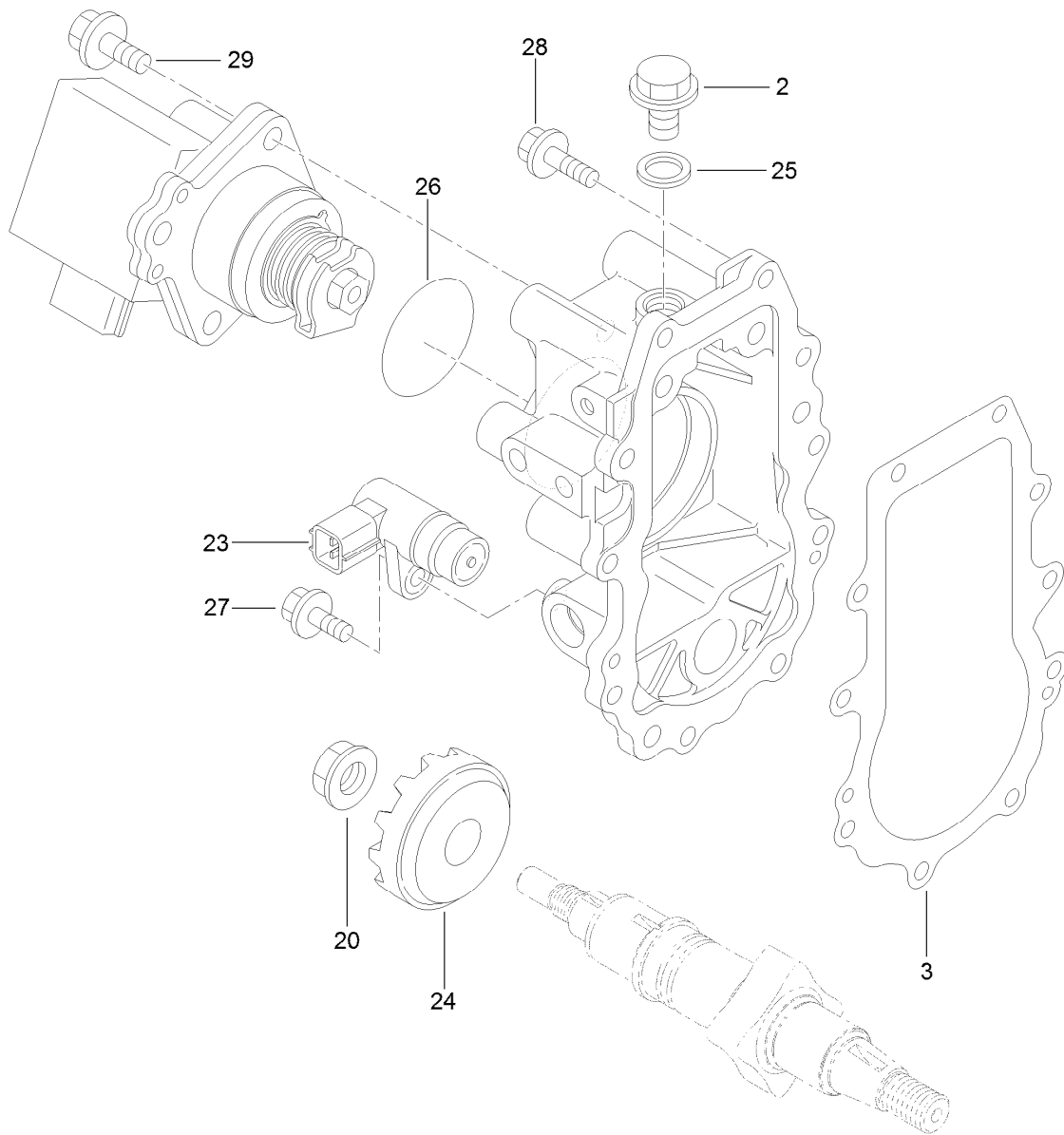
| <i>Ref.</i> | <i>Part Number</i> | <i>Qty.</i> | <i>Description</i> | <i>Ref.</i> | <i>Part Number</i> | <i>Qty.</i> | <i>Description</i> |
|-------------|--------------------|-------------|--------------------|-------------|--------------------|-------------|-----------------------|
| 1 | 125-7031 | 1 | CW Pump ASM | 20 | 125-7219 | 1 | Bolt |
| 3 | 125-6998 | 1 | Gasket | 21 | 125-7222 | 3 | Bolt |
| 4 | 125-6999 | 1 | Plate | 22 | 125-7039 | 1 | V-Pulley |
| 9 | 125-7123 | 3 | Plug | 24 | 125-7204 | 1 | V-Belt |
| 10 | 125-7195 | 1 | Plug | 25 | 125-7206 | 4 | Bolt |
| 11 | 125-7196 | 1 | Plug | 26 | 125-7029 | 1 | Thermostat |
| 12 | 125-7234 | 3 | Screw | 27 | 125-7026 | 1 | Gasket |
| 13 | 125-7047 | 1 | Gasket | 28 | 125-7034 | 1 | Cover |
| 14 | 125-6986 | 1 | Joint | 29 | 125-7110 | 1 | Gasket |
| 15 | 125-7048 | 1 | O-Ring | 30 | 125-7594 | 2 | Bolt |
| 16 | 125-6978 | 1 | Gasket | 31 | 125-6953 | 1 | Plug |
| 17 | 125-7192 | 1 | Gasket | 32 | 125-7124 | 1 | Sensor-Thermostat, CW |
| 18 | 125-7212 | 1 | Bolt | 33 | 125-6979 | 1 | Gasket |
| 19 | 125-7214 | 3 | Bolt | 34 | 125-7176 | 1 | Washer-Seal |

Fuel Injection Pump Assembly



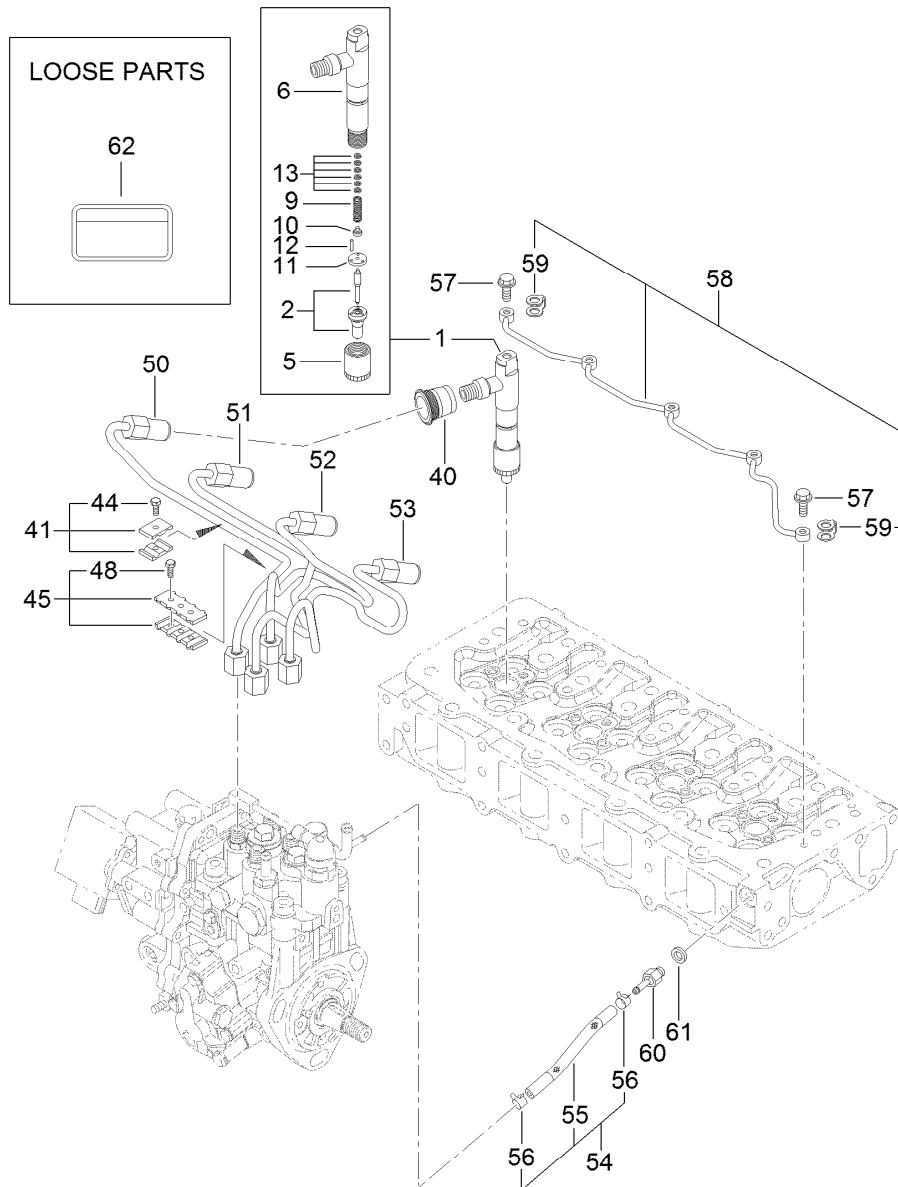
Fuel Injection Pump Assembly (continued)

| <i>Ref.</i> | <i>Part Number</i> | <i>Qty.</i> | <i>Description</i> | <i>Ref.</i> | <i>Part Number</i> | <i>Qty.</i> | <i>Description</i> |
|-------------|--------------------|-------------|--------------------|-------------|--------------------|-------------|--------------------|
| 1 | 125-7246 | 1 | Fie ASM | 106 | 125-7176 | 1 | Washer-Seal |
| 10 | 125-6991 | 1 | Cover | 107 | 125-7591 | 1 | Washer-Seal |
| 11 | 125-6992 | 2 | Bolt | 108 | 125-7147 | 4 | Bolt |
| 12 | 125-6932 | 1 | Key | 111 | 125-7142 | 1 | O-Ring |
| 15 | 125-7135 | 1 | Flange | 112 | 125-7143 | 1 | O-Ring |
| 39 | 125-7156 | 1 | Stopper | 113 | 125-7176 | 2 | Washer-Seal |
| 40 | 125-7154 | 1 | O-Ring | 114 | 125-7179 | 1 | Washer-Spring |
| 41 | 125-7154 | 1 | O-Ring | 115 | 125-7181 | 2 | Pin-Parallel |
| 42 | 125-7092 | 4 | Valve ASM | 116 | 125-7183 | 2 | Pin-Spring |
| 51 | 125-7155 | 4 | Spring | 118 | 93-0400 | 1 | O-Ring |
| 59 | 125-7157 | 1 | Plug | 119 | 125-7201 | 1 | O-Ring |
| 60 | 125-6933 | 1 | Plug | 120 | 125-7202 | 1 | O-Ring |
| 61 | 125-7136 | 4 | Gasket | 121 | 125-7205 | 1 | Bolt |
| 62 | 125-7136 | 1 | Gasket | 123 | 125-7233 | 4 | Bolt |
| 63 | 125-7151 | 1 | Plug | 124 | 125-7236 | 1 | Nut |
| 64 | 125-7137 | 1 | Lifter | 127 | 125-7125 | 1 | Harness ASM |
| 65 | 125-7102 | 1 | Timer Set | 128 | 125-7126 | 1 | Harness |
| 66 | 125-7103 | 1 | Timer ASM | 129 | 125-7033 | 1 | Cap |
| 69 | 125-7145 | 1 | O-Ring | 130 | 125-7158 | 1 | Joint |
| 70 | 125-6934 | 1 | Ring | 131 | 125-7127 | 1 | Bracket |
| 71 | 125-6935 | 1 | O-Ring | 132 | 125-7139 | 1 | Joint |
| 72 | 125-7202 | 1 | O-Ring | 134 | 125-7141 | 1 | Feed Pump ASM |
| 73 | 125-7203 | 1 | Ring-Back Up | 135 | 125-7144 | 1 | O-Ring |
| 74 | 125-7138 | 1 | Gasket | 136 | 125-6945 | 1 | Joint |
| 75 | 125-6940 | 1 | Spring | 137 | 125-7176 | 1 | Washer-Seal |
| 76 | 125-6941 | 1 | Cap | 138 | 125-7178 | 1 | Washer-Spring |
| 78 | 125-6942 | 1 | Solenoid Valve ASM | 139 | 125-7207 | 1 | Bolt |
| 81 | 125-7146 | 1 | Gasket | 140 | 125-7235 | 1 | Nut |
| 101 | 125-7159 | 1 | Piston | 141 | 125-7238 | 1 | Plug |
| 102 | 125-7140 | 1 | Spring | 143 | 125-7032 | 1 | Retainer |
| 103 | 125-7160 | 1 | Plug | 144 | 125-7214 | 4 | Bolt |
| 105 | 125-7148 | 1 | Plug | | | | |



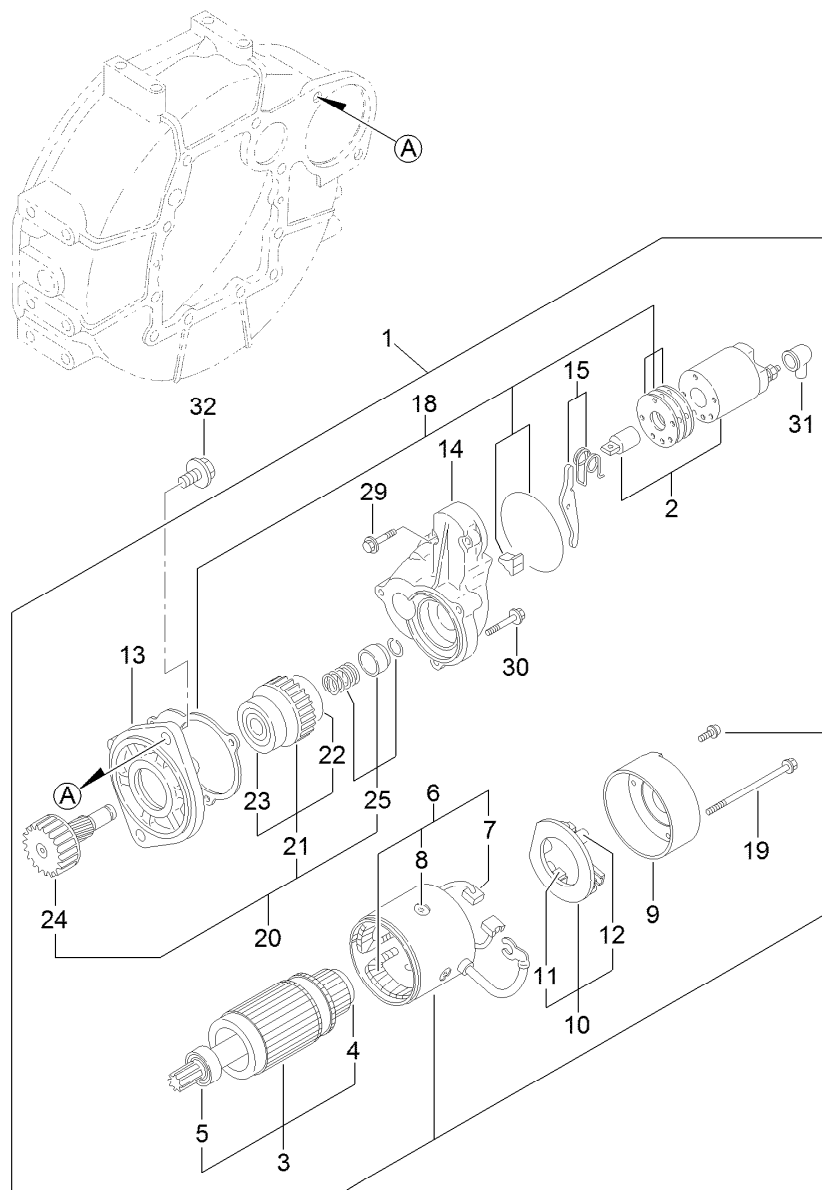
Governor Assembly

| Ref. | Part Number | Qty. | Description |
|------|-------------|------|-------------|
| 2 | 125-7148 | 1 | Plug |
| 3 | 125-7149 | 1 | Gasket |
| 20 | 125-6993 | 1 | Nut |
| 23 | 125-7152 | 1 | Sensor |
| 24 | 125-7150 | 1 | Gear |
| 25 | 125-7176 | 1 | Washer-Seal |
| 26 | 125-7200 | 1 | O-Ring |
| 27 | 125-7208 | 1 | Bolt |
| 28 | 125-7209 | 10 | Bolt |
| 29 | 125-7215 | 3 | Bolt |



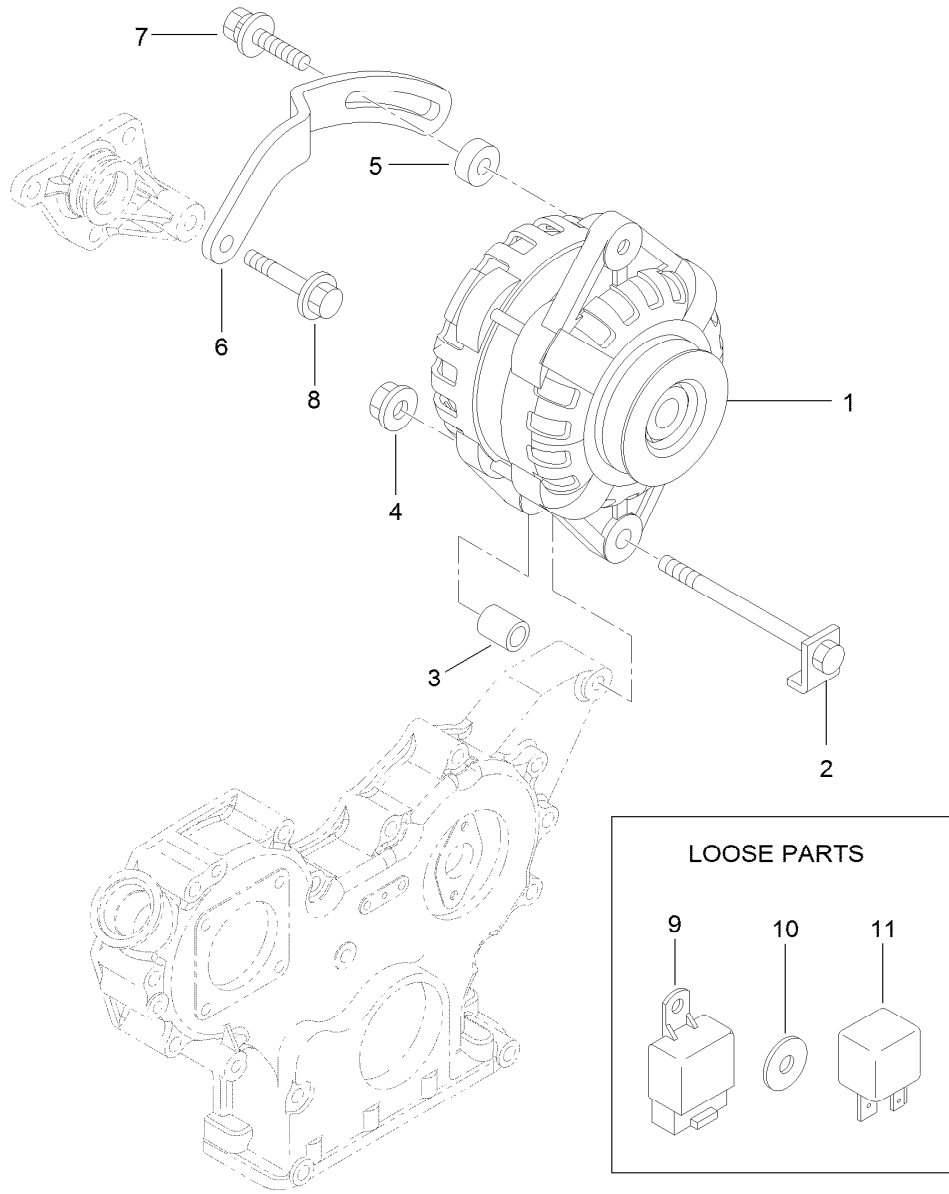
Fuel Injection Valve Assembly

| <i>Ref.</i> | <i>Part Number</i> | <i>Qty.</i> | <i>Description</i> | <i>Ref.</i> | <i>Part Number</i> | <i>Qty.</i> | <i>Description</i> |
|-------------|--------------------|-------------|---------------------|-------------|--------------------|-------------|-------------------------|
| 1 | 125-7245 | 4 | Injection Valve ASM | 50 | 125-7082 | 1 | Injection Pipe ASM |
| 2 | 125-7133 | 4 | Nozzle ASM | 51 | 125-7083 | 1 | Injection Pipe ASM |
| 5 | 125-6901 | 4 | Nut | 52 | 125-7084 | 1 | Injection Pipe ASM |
| 6 | 125-7080 | 4 | Holder ASM | 53 | 125-7085 | 1 | Injection Pipe ASM |
| 9 | 125-6902 | 4 | Spring | 54 | 125-6948 | 1 | Pipe ASM |
| 10 | 125-6903 | 4 | Seat-Spring | 55 | 125-6949 | 1 | Pipe |
| 11 | 125-6904 | 4 | Plate | 56 | 125-6970 | 2 | Clip |
| 12 | 125-6905 | 8 | Pin | 57 | 125-6966 | 5 | Bolt-Joint, Pipe |
| 13 | 125-6939 | 4 | Shim Set | 58 | 125-7081 | 1 | Pipe ASM |
| 40 | 125-6964 | 4 | Seal | 59 | 125-6967 | 5 | Gasket |
| 41 | 125-6907 | 2 | Retainer | 60 | 125-6968 | 1 | Joint |
| 44 | 125-7027 | 2 | Bolt | 61 | 125-7174 | 1 | Washer-Seal |
| 45 | 125-7097 | 1 | Retainer | 62 | 125-6900 | 1 | Label-Caution, Fuel Oil |
| 48 | 125-7027 | 2 | Bolt | | | | |



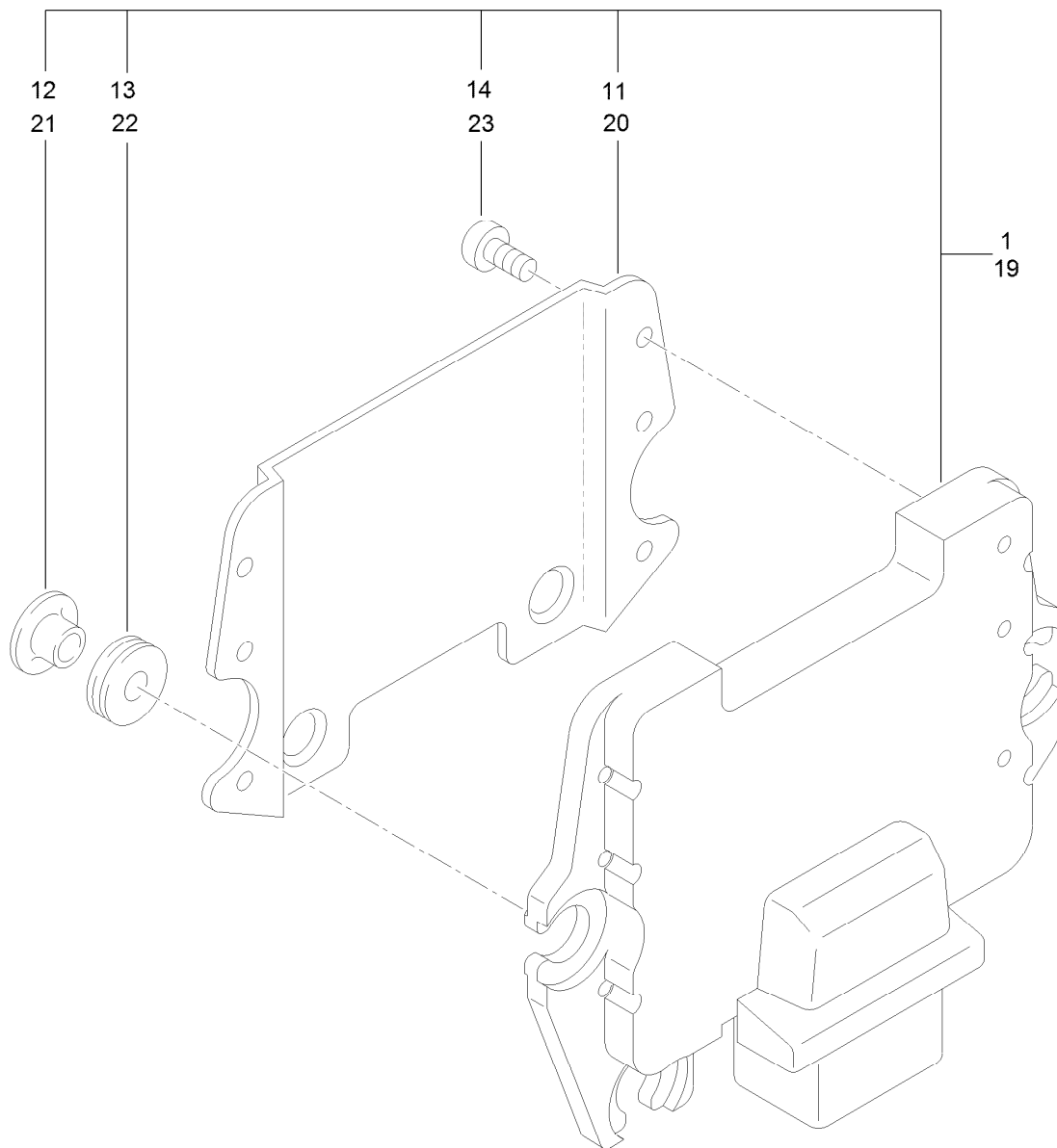
Starting Motor Assembly

| <i>Ref.</i> | <i>Part Number</i> | <i>Qty.</i> | <i>Description</i> | <i>Ref.</i> | <i>Part Number</i> | <i>Qty.</i> | <i>Description</i> |
|-------------|--------------------|-------------|--------------------|-------------|--------------------|-------------|--------------------|
| 1 | 125-7003 | 1 | Starter | 15 | 125-7165 | 1 | Lever Set |
| 2 | 125-7004 | 1 | Switch ASM | 18 | 125-7037 | 1 | Dust Cover ASM |
| 3 | 125-7112 | 1 | Armature ASM | 19 | 125-7117 | 2 | Bolt-Through |
| 4 | 125-7252 | 1 | Bearing-Ball | 20 | 125-7166 | 1 | Pinion ASM |
| 5 | 125-7249 | 1 | Bearing, Ball | 21 | 125-7250 | 1 | Clutch ASM |
| 6 | 125-7113 | 1 | Field Coil ASM | 22 | 125-7251 | 1 | Bearing-Ball |
| 7 | 125-7114 | 2 | Brush | 23 | 125-7253 | 1 | Bearing-Ball |
| 8 | 125-7163 | 4 | Screw | 24 | 125-7167 | 1 | Shaft |
| 9 | 125-7115 | 1 | Cover | 25 | 125-7168 | 1 | Stopper Set |
| 10 | 125-7116 | 1 | Brush Holder ASM | 29 | 125-7210 | 2 | Bolt |
| 11 | 125-7114 | 2 | Brush | 30 | 125-7211 | 3 | Bolt |
| 12 | 125-7036 | 4 | Spring | 31 | 125-7169 | 1 | Cover |
| 13 | 125-7164 | 1 | Case-Gear | 32 | 125-7225 | 2 | Bolt |
| 14 | 125-7005 | 1 | Housing | | | | |



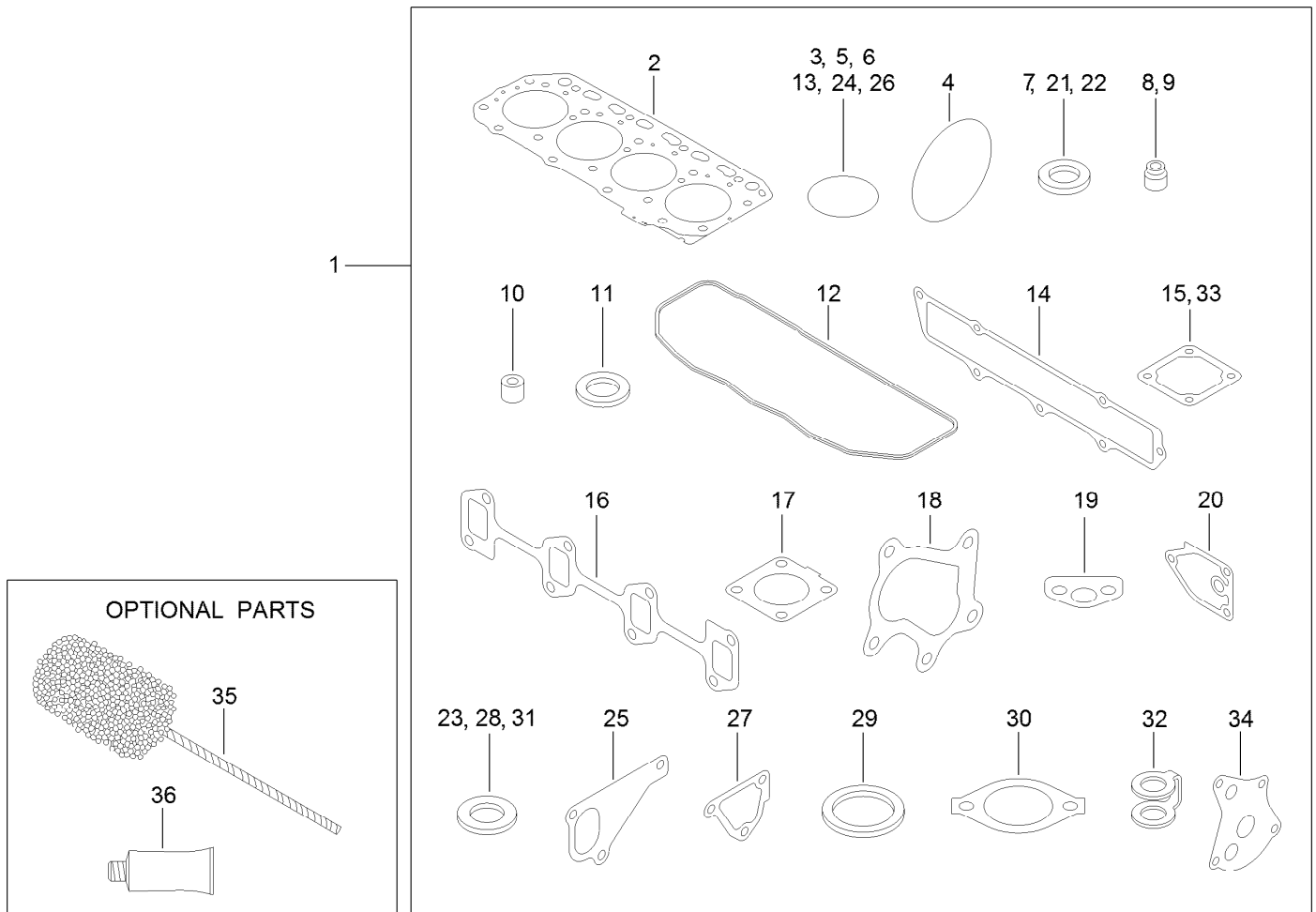
Generator Assembly

| <i>Ref.</i> | <i>Part Number</i> | <i>Qty.</i> | <i>Description</i> |
|-------------|--------------------|-------------|--------------------|
| 1 | 125-7120 | 1 | Alternator-12V |
| 2 | 125-7121 | 1 | Bolt-Stopper |
| 3 | 125-7122 | 1 | Piece-Distance |
| 4 | 125-7230 | 1 | Nut |
| 5 | 125-6947 | 1 | Spacer |
| 6 | 125-7101 | 1 | Adjuster-Belt |
| 7 | 125-7134 | 1 | Bolt |
| 8 | 125-7219 | 1 | Bolt |
| 9 | 125-7173 | 2 | Relay |
| 10 | 125-7131 | 3 | Washer |
| 11 | 125-7132 | 2 | Relay |



Electronic Control Unit Assembly

| Ref. | Part Number | Qty. | Description |
|------|-------------|------|-------------------|
| 1 | 121-1591 | 1 | Controller-Engine |
| 11 | 125-7129 | 1 | Shield |
| 12 | 125-7130 | 3 | Collar |
| 13 | 125-6908 | 3 | Absorber |
| 14 | 125-7187 | 6 | Screw |
| 19 | 125-7128 | 1 | Ecu |
| 20 | 125-7129 | 1 | Shield |
| 21 | 125-7130 | 3 | Collar |
| 22 | 125-6908 | 3 | Absorber |
| 23 | 125-7187 | 6 | Screw |



Gasket Set

| Ref. | Part Number | Qty. | Description | Ref. | Part Number | Qty. | Description |
|------|-------------|------|------------------|------|-------------|------|---------------|
| 1 | 125-7243 | 1 | Gasket Set | 19 | 125-7022 | 1 | Gasket |
| 2 | 125-7049 | 1 | Gasket-Head | 20 | 125-7024 | 1 | Gasket |
| 3 | 125-6909 | 2 | O-Ring | 21 | 125-7174 | 7 | Washer-Seal |
| 4 | 125-6957 | 1 | O-Ring | 22 | 125-7175 | 2 | Washer-Seal |
| 5 | 125-7197 | 2 | O-Ring | 23 | 125-7193 | 2 | Gasket |
| 6 | 125-7199 | 1 | O-Ring | 24 | 125-7198 | 1 | O-Ring |
| 7 | 125-7177 | 1 | Washer-Seal | 25 | 125-7047 | 1 | Gasket |
| 8 | 125-6915 | 8 | Seal-Stem, Valve | 26 | 125-7048 | 1 | O-Ring |
| 9 | 125-6916 | 8 | Seal-Stem, Valve | 27 | 125-6978 | 1 | Gasket |
| 10 | 125-6921 | 4 | Protector | 28 | 125-7192 | 1 | Gasket |
| 11 | 125-6911 | 4 | Seat-Valve | 29 | 125-7026 | 1 | Gasket |
| 12 | 125-7060 | 1 | Gasket | 30 | 125-7110 | 1 | Gasket |
| 13 | 93-0418 | 7 | O-Ring | 31 | 125-6979 | 2 | Gasket |
| 14 | 125-7066 | 1 | Gasket | 32 | 125-6967 | 5 | Gasket |
| 15 | 125-7028 | 1 | Gasket | 33 | 125-7000 | 1 | Gasket |
| 16 | 125-7096 | 1 | Gasket | 34 | 125-7021 | 1 | Gasket |
| 17 | 125-7070 | 1 | Gasket | 35 | 125-7038 | 1 | Hone |
| 18 | 125-7071 | 1 | Gasket | 36 | 125-7248 | 1 | Gasket-Liquid |

Attachments and Accessories

For 30605 Groundsmaster 4000 Rotary Mower

| Product Name | Model/Part |
|---|-------------------|
| Bumper ASM | 106-4278-03 |
| Blade-Atomic (21.75in) | 107-0214-03 |
| Premium All Season Hydraulic Fluid (55 Gallon Drum) | 108-1177 |
| Premium All Season Hydraulic Fluid (5 Gallon Pail) | 108-1178 |
| Atomic Blade Service Pack (7 Pack) | 108-1450 |
| Blade-Flat Sail (21.75in) | 110-6115-03 |
| Flat Blade Service Pack (7 Pack) | 110-6130 |
| MVP Blade Kit | 117-2722 |
| Vinyl Backrest Extension Kit | 119-7718 |
| Large Seat Cover | 120-5179 |
| Castor Wrench | 121-3874 |
| Premium Engine Oil 10w30 (55 Gallon Drum) | 121-6392 |
| Premium Engine Oil 10w30 (5 Gallon Pail) | 121-6393 |
| Premium Engine Oil 15w40 (55 Gallon Drum) | 121-6394 |
| Premium Engine Oil 15w40 (5 Gallon Pail) | 121-6395 |
| Roller Assembly | 132-6113 |
| Pivot Caster Scraper Kit | 132-6114 |
| Skid Plate Kit | 136-4360 |
| Blade-Rotary, Medium Sail | 136-4370-03 |
| Tire-High Traction (20x10-10) | 136-4440 |
| Tire-High Traction (26x12-12) | 136-4442 |
| MVP Blade Kit | 137-5500 |
| MVP Filter Kit | 30089 |
| Universal Sunshade | 30349 |
| North American Light Kit | 30414 |
| Guardian Recycler Conversion Kit | 30420 |
| Leaf Mulcher Kit | 30422 |
| CE Kit | 30453 |
| Right-Hand Replacement Mower | 30476 |
| Left-Hand Replacement Mower | 30477 |
| Front Deck | 30479 |
| Beacon Kit | 30661 |
| Slow-Moving Vehicle Sign Kit | 30665 |
| Light Adapter Kit | 30691 |
| 4WD Manual Override Kit | 31510 |
| Horn Kit | 31511 |
| Backup Alarm Kit | 31512 |
| 4WD Manual Override Kit | 31522 |
| EU Light Kit | 31543 |
| Blade (21.75in) | 92-5608-03 |
| 8in Foam Filled Wheel ASM | 93-5974 |

Notes:



Count on it.