



**Wheel Horse<sup>®</sup>**  
**270-H Yard & Garden Tractor**  
**270-HE Yard & Garden Tractor**  
Model No. 72108-21000001 and Up  
Model No. 72116-21000001 and Up

## Parts Catalog

### Ordering Replacement Parts

To order replacement parts, please supply: the part number, the quantity, and the description of each part desired.

### Understanding Reference Numbers

Each identified part in an illustration has a reference number. The reference number for a part also appears in the parts list, along with other information about the part.

This catalog uses two special reference number formats, one to indicate parts in a service assembly and another to indicate the quantity of a given part in an illustration.

### Service Assembly Reference Numbers

Parts in service assemblies have reference numbers in the form **a:b**. The **a** represents the reference number of the entire service assembly and the **b** represents a sequential number unique to each part within the service assembly.

For example, a wheel assembly might be identified by reference number **6**, the tire by **6:1**, the valve by **6:2**, and the wheel by **6:3**. When you order the assembly identified by reference number **6**, you receive all parts identified by reference numbers **6:1**, **6:2**, and **6:3**. However, you may also order any part individually.

Reference numbers of this type appear in illustrations and in part lists.

### Reference Numbers Indicating Quantity

In an illustration, if a reference number indicates more than one part, the reference number has the form **nX y**. The **n** represents the quantity of the part, the **X** is the multiplication symbol, and the **y** represents the reference number.

For example, in an illustration, the reference number **2X 37** means that two of the parts identified by reference number **37** are indicated.

## Contents

Description	Page	Description	Page
Hood & Grill Assembly .....	4	Crankcase-Kohler CV20S-PS65531 and PS65532 ..	29
Hydro Drive Assembly .....	5	Oil Pan / Lubrication-Kohler CV20S-PS65531 &	30
Front Axle Assembly .....	6	PS65532 .....	31
Twin Cylinder Engine, Muffler & PTO Assembly .	7	Head/Valve/Breather-Kohler CV20S-PS65531 &	32
Battery Assembly .....	8	PS65532 .....	33
Fuel Tank Assembly .....	9	Ignition / Electrical-Kohler CV20S-PS65531 and	34
Lower Steering Assembly .....	10	PS65532 .....	35
Steering Wheel & Tilt Assembly .....	11	Blower Housing & Baffles-Kohler CV20S-PS65531	36
Hoodstand & Firewall Assembly .....	12	and PS65532 .....	37
Lift Lever & HOC Assembly .....	13	Starting System-Kohler CV20S-PS65531 and	38
Hydro Brake Assembly .....	14	PS65532 .....	39
Hydro Controls Assembly .....	15	Fuel System-Kohler CV20S-PS65531 and PS65532	40
Frame Assembly .....	16	.....	41
Hydro Transaxle Assembly .....	17	Fuel System-Kohler CV20S-PS65531 and PS65532	42
Fender & Footrests Assembly .....	18	.....	
Seat Assembly .....	19	Engine Controls-Kohler CV20S-PS65531 and	
Rear Wheel Assembly .....	20	PS65532 .....	
Cruise Control Assembly .....	21	Air Intake / Filtration-Kohler CV20S-PS65531 &	
Power Lift Assembly .....	22	PS65532 .....	
Dash Assembly .....	23	Exhaust-Kohler CV20S-PS65531 and PS65532	
Housing and Fan Assembly .....	24	Engine Wire Harness Routing Assembly .....	
Differential Gear Assembly .....	25	Twin Cyl. Hydro w/Cruise & Power Lift Wire Routing .	
Brake Assembly .....	26	.....	
Cylinder Block Assembly .....	27	270-H Wiring Schematic .....	
Crankshaft-Kohler CV20S-PS65531 and PS65532	28		

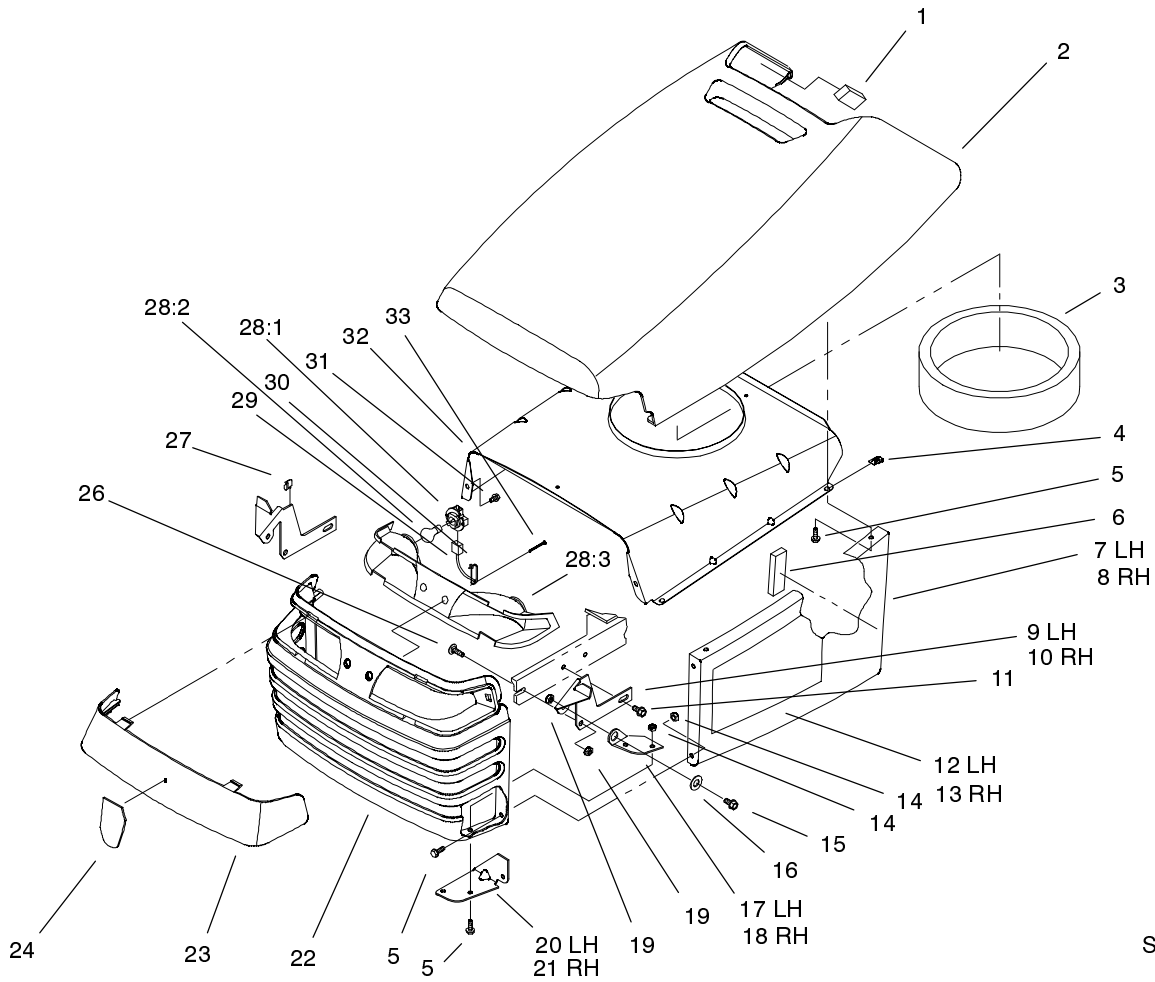
## Accessories

Description	Model / Part No.	Description	Model / Part No.
38" Side Discharge Mower (Model No. 72108 Only) .....	Model No. 78216	42" Snowthrower .....	Model No. 79263
42" Side Discharge Mower (Model No. 72108 Only) .....	Model No. 78231	38" Recycler Kit .....	Model No. 79170
48" Side Discharge Mower (Model No. 72108 Only) .....	Model No. 78261	Baffle Kit - 42" SD Mower .....	Model No. 85501
52" Side Discharge Mower (Model No. 72108 Only) .....	Model No. 78281	48" Blade Adapter .....	Part No. 92-6828
38" Side Discharge Mower (Model No. 72116 Only) .....	Model No. 78218	42" Snowthrower Adapter .....	Part No. 93-7625
42" Side Discharge Mower (Model No. 72116 Only) .....	Model No. 78232	48" Recycler Kit .....	Model No. 79195
48" Side Discharge (Model No. 72116 Only) .....	Model No. 78268	52" Recycler Kit .....	Model No. 79185
52" Side Discharge Mower (Model No. 72116 Only) .....	Model No. 78253	48" Blade Skid Shoe .....	
11 Cubic Foot Twin Bagger (For 38" SD Mower) .....	Model No. 79202	(Model No. 72116 Only) .....	Part No. 92-6840
11 Cubic Foot Twin Bagger (For 42" & 48" SD Mower) ....	Model No. 79203	Rear Wheel Weights .....	Part No. 81115
36" Tiller .....	Model No. 79271	Front Wheel Weights .....	Part No. 81214
48" Dozer Blade .....	Model No. 79253	Tire Chains .....	Part No. 82531
		Cab .....	Part No. 79911
		R.H. Cleat Tire .....	Part No. 92-6789
		L.H. Cleat Tire .....	Part No. 92-6790
		Vinyl Cover .....	
		(Model No. 72116 Only) .....	Part No. 110831
		Non Metallic Hubcap - 8" .....	
		(Model No. 72116 Only) .....	Part No. 94-3717
		Non Metallic Hubcap - 12" .....	
		(Model No. 72116 Only) .....	Part No. 94-3718

## Part Description Abbreviations

Part descriptions in this catalog may include the following abbreviations.

<b>Abbreviation</b>	<b>Meaning</b>	<b>Abbreviation</b>	<b>Meaning</b>
AR .....	as required	INC .....	incorporated
ASM .....	assembly	LH .....	left hand
CARR .....	carriage	NI .....	nylon insert
DEG .....	degrees	PPH .....	Phillips pan head
FH .....	flat head	PTH .....	Phillips truss head
GA .....	gauge	PTO .....	power take off
HF .....	hex flange	RH .....	right hand
HH .....	hex head	SFH .....	slotted fillister head
HHF .....	hex head flange	SHH .....	slotted hex head
HLH .....	hex lag head	SQH .....	square head
HJ .....	hex jam	SHWH .....	slotted hex washer head
HOC .....	height-of-cut	SPH .....	slotted pan head
HS .....	hex socket	SRH .....	slotted round head
HSBH .....	hex socket button head	STD .....	standard
HSFH .....	hex socket flat head	TAP .....	self tapping
HSH .....	hex socket head	TTH .....	Torx truss head
HWH .....	hex washer head	WH .....	wing head
HWHTF .....	hex washer head thread forming		



Sheet No.:2

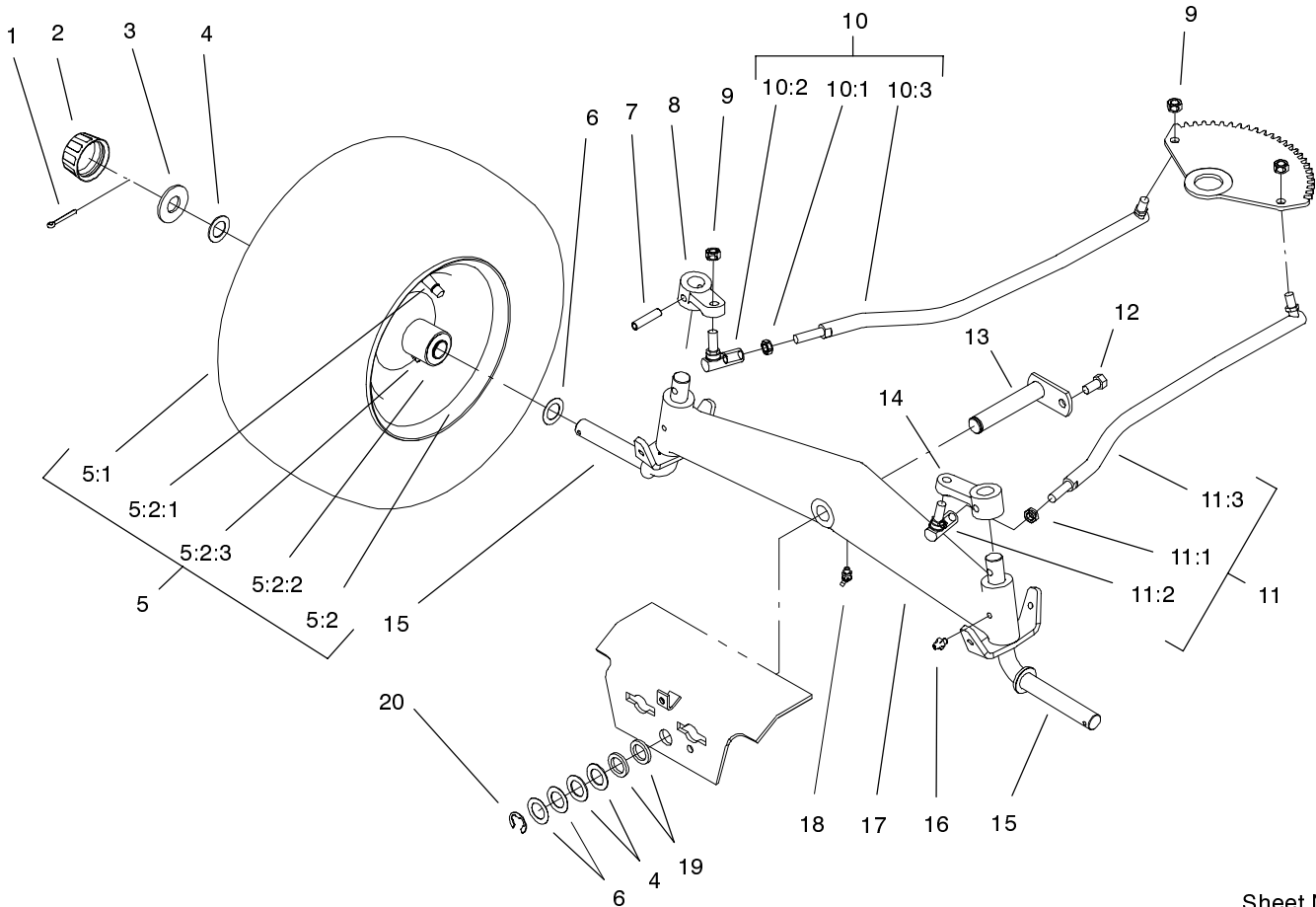
## Hood and Grill Assembly

Ref. No.	Part No.	Qty.	Description
1	94-1980	2	Foam - Hood
2	92-6658	1	Hood - Top
3	92-7076	1	Seal-Air Inlet Twin
4	92-7006	4	Nut
5	32105-15	12	Screw
6	92-7148	2	Foam - Sidepanel
7	92-6652	1	Side-LH Hood
8	92-6650	1	Side-RH Hood
9	92-6918-03	1	Bracket-Hinge, LH
10	92-6917-03	1	Bracket-Hinge, RH
11	32144-14	2	Screw-HWH
12	95-0801	1	Decal-Hood, LH
13	95-0800	1	Decal-Hood, RH
14	32128-10	8	Locknut-Flange
15	322-3	2	Screw-HH
16	105503	2	Bushing
17	92-6997-03	1	Hinge-Hood, LH
18	92-6996-03	1	Hinge-Hood, RH
19	3296-29	4	Nut-Lock
20	92-7049-03	1	Bracket-Hood Hinge, RH
21	92-7048-03	1	Bracket-Hood Hinge, LH
22	100-1344	1	Grill
23	92-6656	1	Lens - Headlight
24	92-6987	1	Emblem-Horsehead

Ref. No.	Part No.	Qty.	Description
26	3230-1	2	Screw-CARR
27	519337	1	Clip-Cable
*28	88-3970	1	Reflector & Lamp ASM
28:1	111686	2	Socket-Light
28:2	7228	2	Bulb -No. 1156
28:3	93-8741	1	Reflector
29	88-4320	1	Wire Harness-Lights
30	614249	1	Tie Strap
31	46-8093	2	Screw-Plastite
32	92-6914-03	1	Baffle-Hood, Upper
33	32144-32	2	Screw

\* Not illustrated





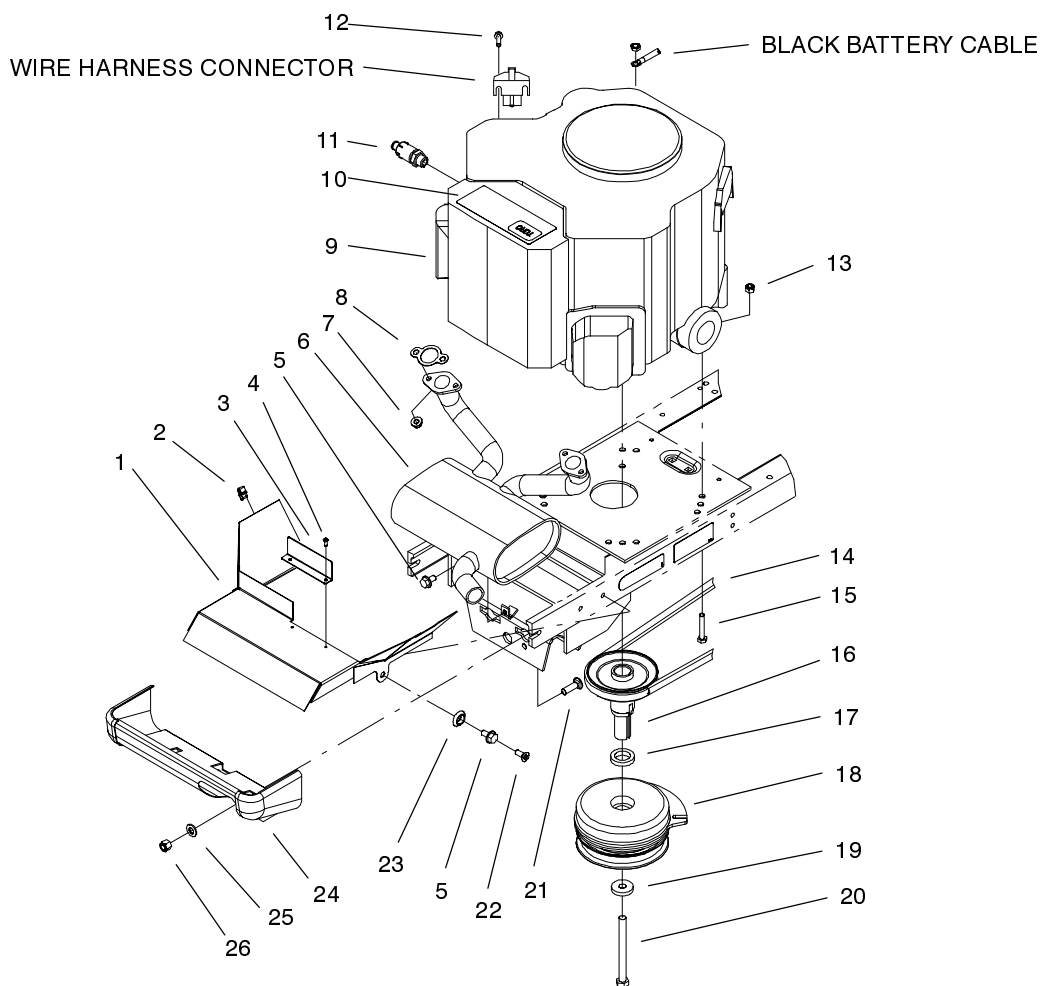
Sheet No.:4

## Front Axle Assembly

Ref. No.	Part No.	Qty.	Description
1	3272-17	2	Pin-Cotter
2	61-9780	2	Cap-Hub
3	28-2480	2	Washer
4	1278	4	Washer
5		2	Front Wheel & Tire ASM
5:1	99-2336	1	Tire
5:2	93-9801	1	Wheel ASM
5:2:1	5108	1	Valve
5:2:2	110513	2	Bearing-Wheel
5:2:3	109500	1	Zerk-Grease
*5:99	105293	1	Tube-Inner
6	5210	4	Washer-Shim
7	933270	2	Pin
8	78-1950-01	1	Arm-Front Spindle
9	9150026	4	Nut
10	92-6883	1	Linkage-Steering, RH
10:1	9150854	1	Nut-Jam
10:2	78-2920	1	Ball-Joint
10:3	78-5801	1	Ball Link ASM
11	92-6884	1	Linkage-Steering, LH
11:1	9150854	1	Nut-Jam
11:2	78-2920	1	Ball-Joint
11:3	78-5811	1	Ball Link ASM
12	9267154	1	Screw
13	92-7057-03	1	Pin-Axle

Ref. No.	Part No.	Qty.	Description
14	78-1940-01	1	Arm-Front Spindle
15	78-2601-01	2	Spindle
16	302-5	2	Fitting-Grease
17	78-7960-01	1	Axle-Front
18	302-11	1	Fitting-Lube, 45°
19	9202324	2	Washer
20	5618	1	E-Ring

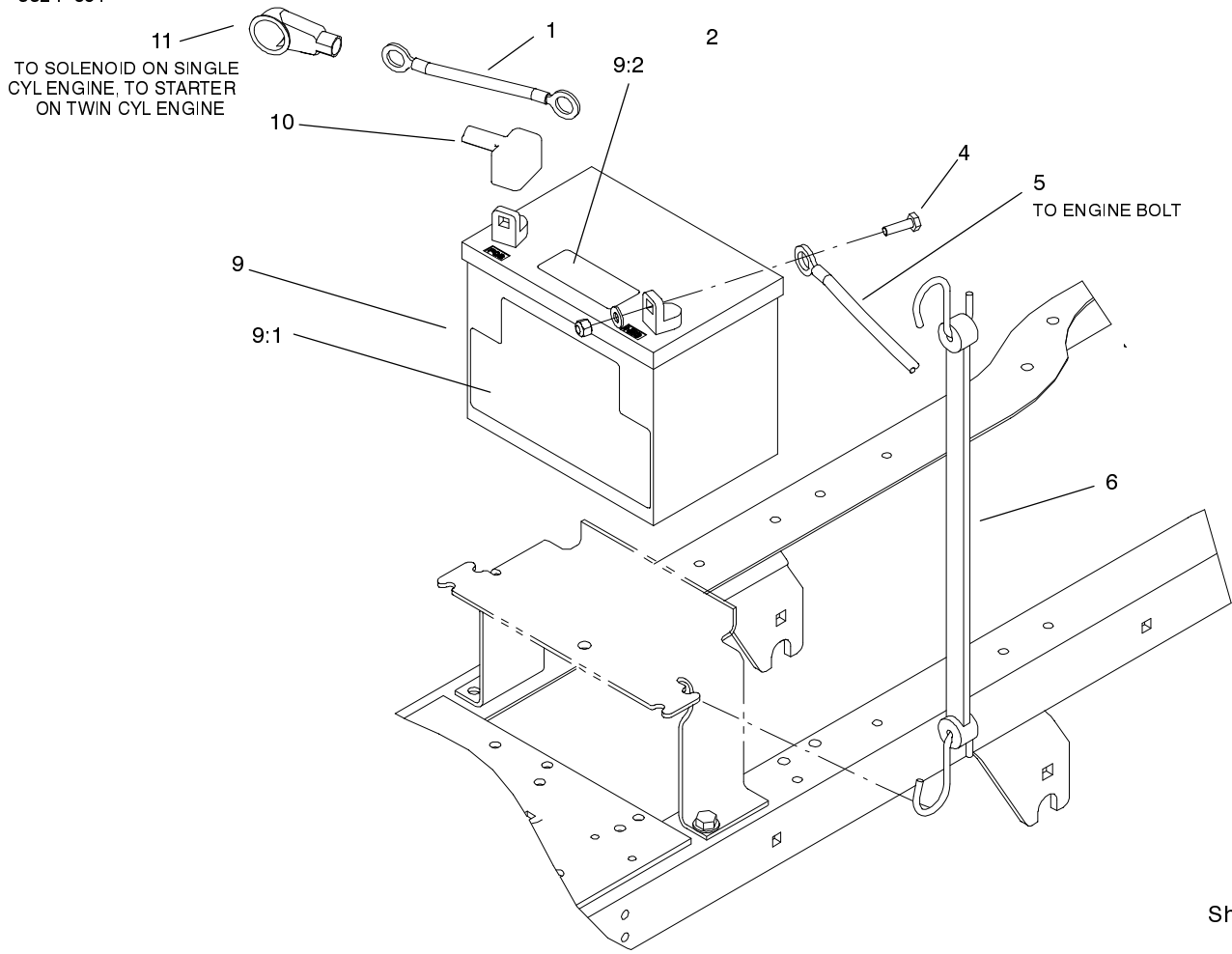
\* Not illustrated



Sheet No.:5

## Twin Cylinder Engine, Muffler and PTO Assembly

Ref. No.	Part No.	Qty.	Description	Ref. No.	Part No.	Qty.	Description
1	94-6950-03	1	Shield-Muffler, Twin	18	100-6059	1	Clutch-PTO (only on: 72108)
2	702366	1	Clip-Wire Retainer	18	100-6060	1	Clutch-Elec PTO (only on: 72116)
3	99-6764-03	1	Guard-Throttle (only on: 72116)	19	112843	1	Washer
4	100-1320	2	Screw-Panhead Torx (only on: 72116)	20	9114466	1	Screw-HH
5	32144-14	1	Screw-HWH (only on: 72116)	21	3231-25	2	Screw-CARR
5	32144-14	3	Screw-HWH (only on: 72108)	22	100-1325	2	Screw-Countersunk Torx (only on: 72116)
6	100-3543	1	Muffler-Twin	23	100-1326	2	Washer-Countersunk (only on: 72116)
7	92-6780	4	Nut-HF	24	100-3541-01	1	Muffler Shield ASM
8	93-0350	2	Gasket - Exhaust	25	3256-24	2	Washer-Flat
9	94-3515	1	Engine - Kohler 20 (only on: 72116)	26	3296-39	2	Nut-Lock, NI
9	94-3514	1	Engine - Kohler 20 (only on: 72108)				
10	94-2870	1	Decal - Toro Power + 20				
11	92-6877	1	Valve-Drain, Oil				
12	32144-118	2	Screw-PPH				
13	3296-29	4	Nut-Lock				
14	100-3469	1	V-Belt				
15	322-9	4	Screw-HH				
16	92-6888	1	Pulley-Engine (Hydro)				
17	100-1340	1	Spacer-Clutch				

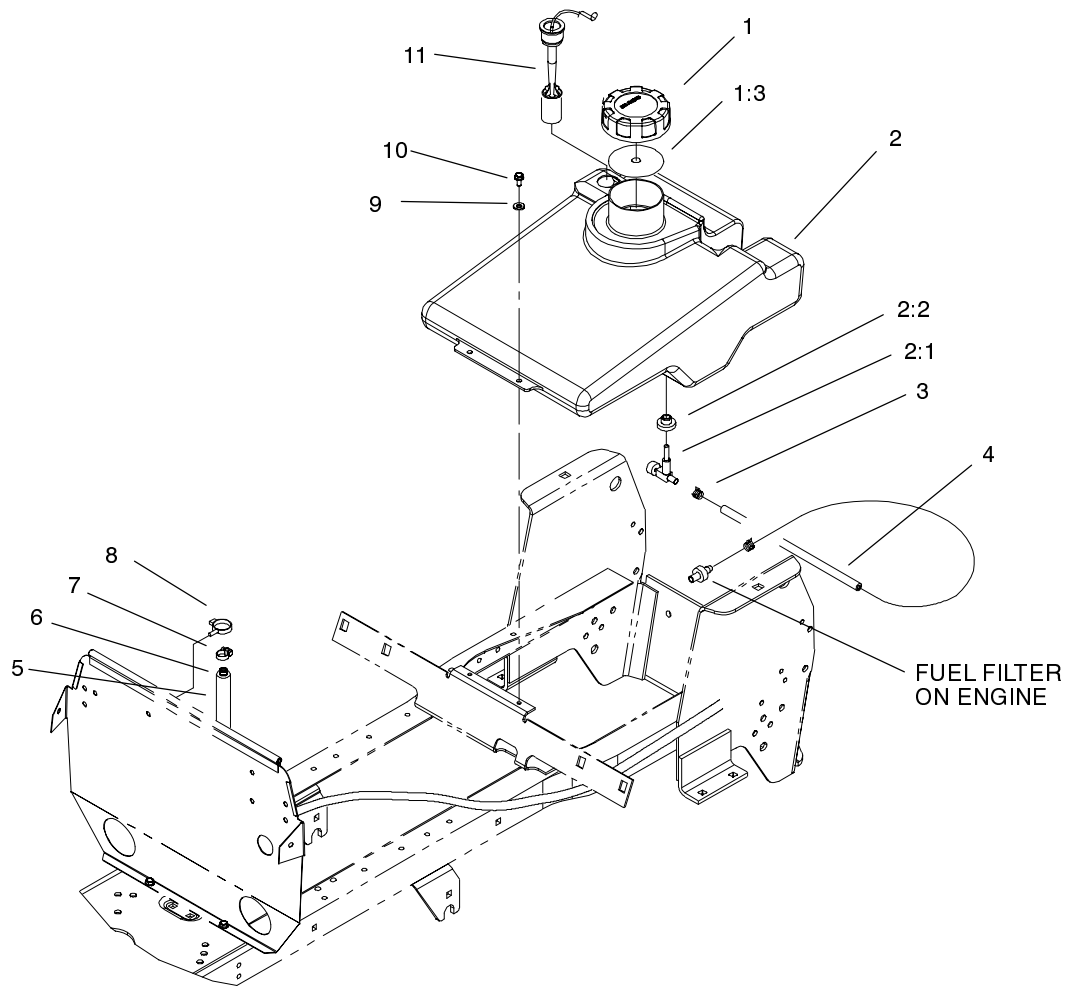


Sheet No.:6

## Battery Assembly

Ref. No.	Part No.	Qty.	Description
1	92-6989	1	Wire
2	3296-42	2	Nut-Lock, NI
3	3256-22	2	Washer-Flat
4	321-5	2	Screw-HH
5	104-2460	1	Cable-Battery
6	104-2467	1	Strap-Battery
9	104-2492	1	Battery
9:1	104-4163	1	Decal-Battery
9:2	104-5091	1	Decal-Battery
10	28-8080	1	Boot-Terminal
11	93-3190	1	Boot-Terminal Insulator

Ref. No.	Part No.	Qty.	Description



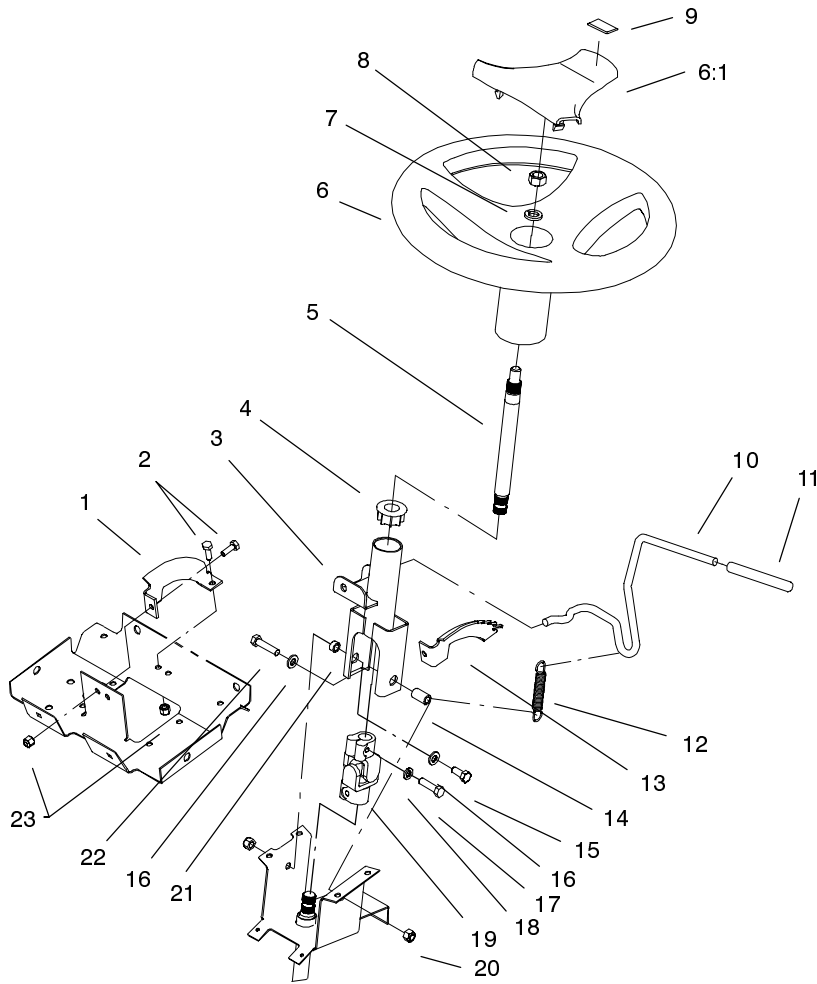
Sheet No.:7

## Fuel Tank Assembly

Ref. No.	Part No.	Qty.	Description
1	88-3980	1	Gas Cap ASM
1:3	88-4010	1	Gasket-Cap, Gas
2	94-6927	1	Tank - Fuel
2:1	104048	1	Valve-Fuel
2:2	104047	1	Bushing
3	2412-98	2	Clamp
4	93-1627	1	Hose - Fuel Line Twin
5	100-6072	1	Hose, Breather
6	93-3817	1	Fitting, Vent
7	2412-119	1	Clamp-Worm
8	104-2490	1	Clamp-Hose
9	3256-22	2	Washer-Flat
10	32104-96	2	Screw-HH
11	94-1716	1	Sensor - Low Fuel

Ref. No.	Part No.	Qty.	Description



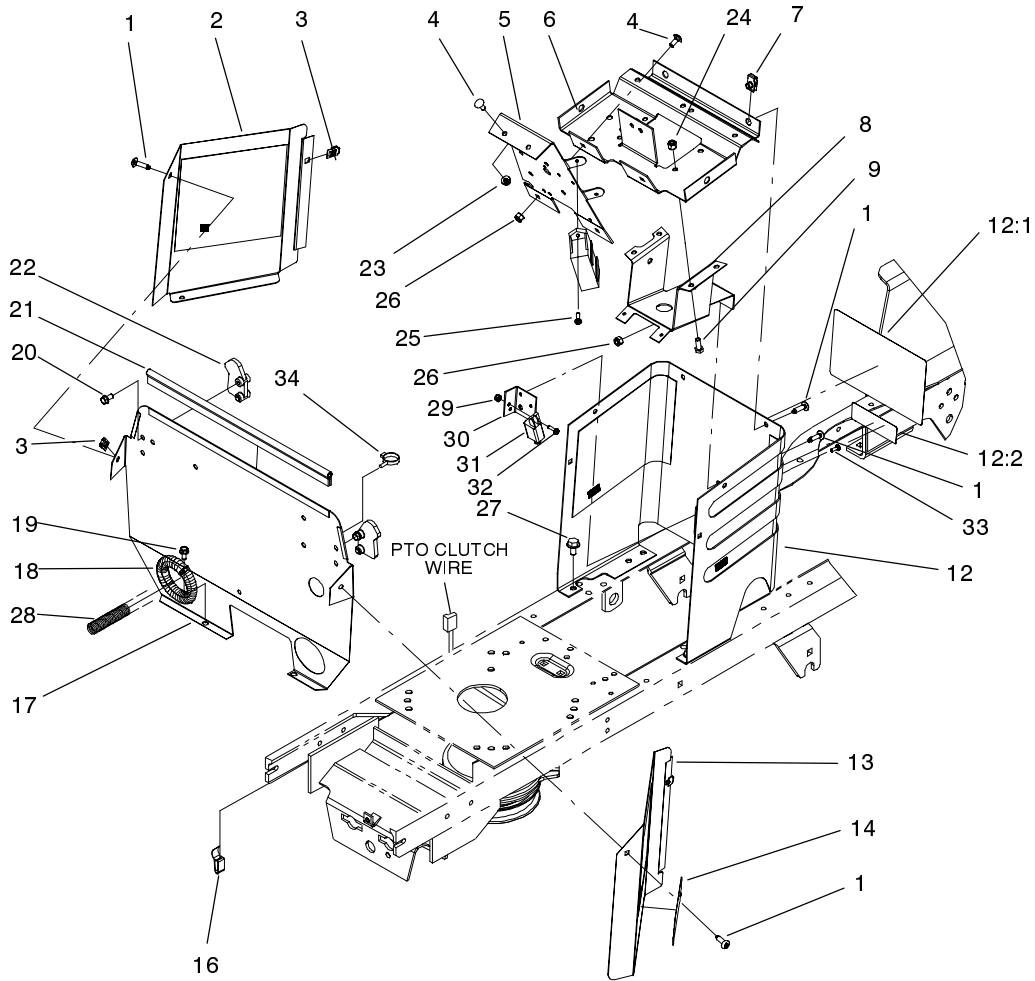


Sheet No.:9

## Steering Wheel and Tilt Assembly

Ref. No.	Part No.	Qty.	Description
1	92-6777-03	1	Bracket - Support Column
2	321-4	4	Screw-HH
3	93-1148-03	1	Column
4	93-1146	1	Bushing-Upper, Steering
5	94-2874	1	Shaft-Short, Steering
6	98-1472	1	Wheel - Steering, Toro
6:1	98-1468	1	Cover - Wheel Steering
7	3253-7	1	Washer-Lock
8	3217-9	1	Nut-HH
9	98-1459	1	Decal-Toro
10	92-6971	1	Lever - Tilt
11	92-6798	1	Cap - Rod Tilt
12	93-1357	1	Spring - Extension, Steering
13	92-6776	1	Bracket - Detent
14	92-6999	1	Spacer - Yoke
15	322-3	1	Screw-HH
16	3256-23	2	Washer-Flat
17	33114-030	2	Screw-HH
18	3253-4	2	Washer-Lock
19	92-6717	1	U Joint - Steering
20	3296-29	2	Nut-Lock
21	92-6998	1	Spacer - Yoke, Right

Ref. No.	Part No.	Qty.	Description
22	322-17	1	Screw-HH
23	3296-8	4	Nut-Lock NI

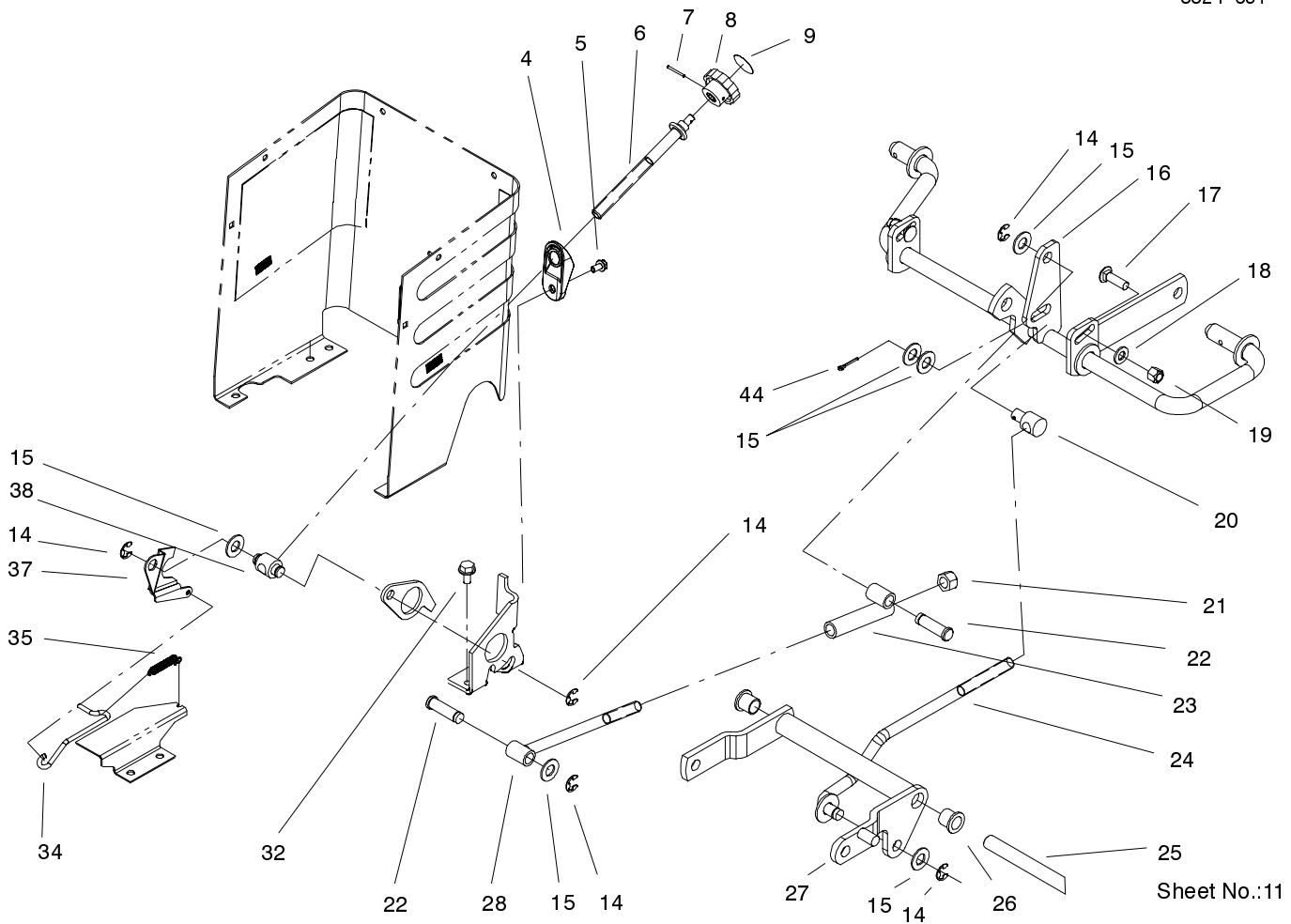


Sheet No.:10

## Hoodstand and Firewall Assembly

Ref. No.	Part No.	Qty.	Description
1	92-7020	9	Screw-HH
2	92-6937-03	1	Cover-RH Side
3	92-7006	4	Nut
4	3229-11	4	Screw-CARR
5	104-5015-03	1	Panel-Support, Dash
6	92-6859-03	1	Support - Dash
7	107069	4	Clip
8	92-6778-03	1	Bracket-Lower Column
9	321-4	4	Screw-HH
12	104-5061	1	Hoodstand ASM (only on: 72108)
12	104-5062	1	Hoodstand ASM w/ Decals (He) (only on: 72116)
12:1	83-6620	1	Decal - Instruction
12:2	93-0302	1	Decal - Danger (only on: 72108)
12:2	93-7313	1	Decal-Slope/Hydro (only on: 72116)
13	92-6936-03	1	Cover-LH Side
14	95-0811	2	Decal - 270 Hydro
16	212-93	1	Clamp-Casing
17	104-0818-03	1	Firewall
18	24-7924	2	Cover-Drive Shaft
19	32144-4	2	Screw-HH

Ref. No.	Part No.	Qty.	Description
20	46-8093	2	Screw-Plastite
21	93-1131	1	Trim-Seal, Firewall
22	92-6960	2	Latch - Hood
23	32149-2	2	Nut
24	3296-8	4	Nut-Lock NI
25	32144-8	2	Screw-HH
26	3296-42	3	Nut-Lock, NI
27	32144-14	2	Screw-HWH
28	104-2455	1	Wireharness-270h
29	3296-1	2	Nut-Lock NI
30	104-0833-03	1	Bracket-Parking Brake
31	95-1653	1	Switch - Single Pole
32	3290-392	2	Screw - HHF
33	32104-118	2	Screw-PPH
34	104-5066	1	Clamp



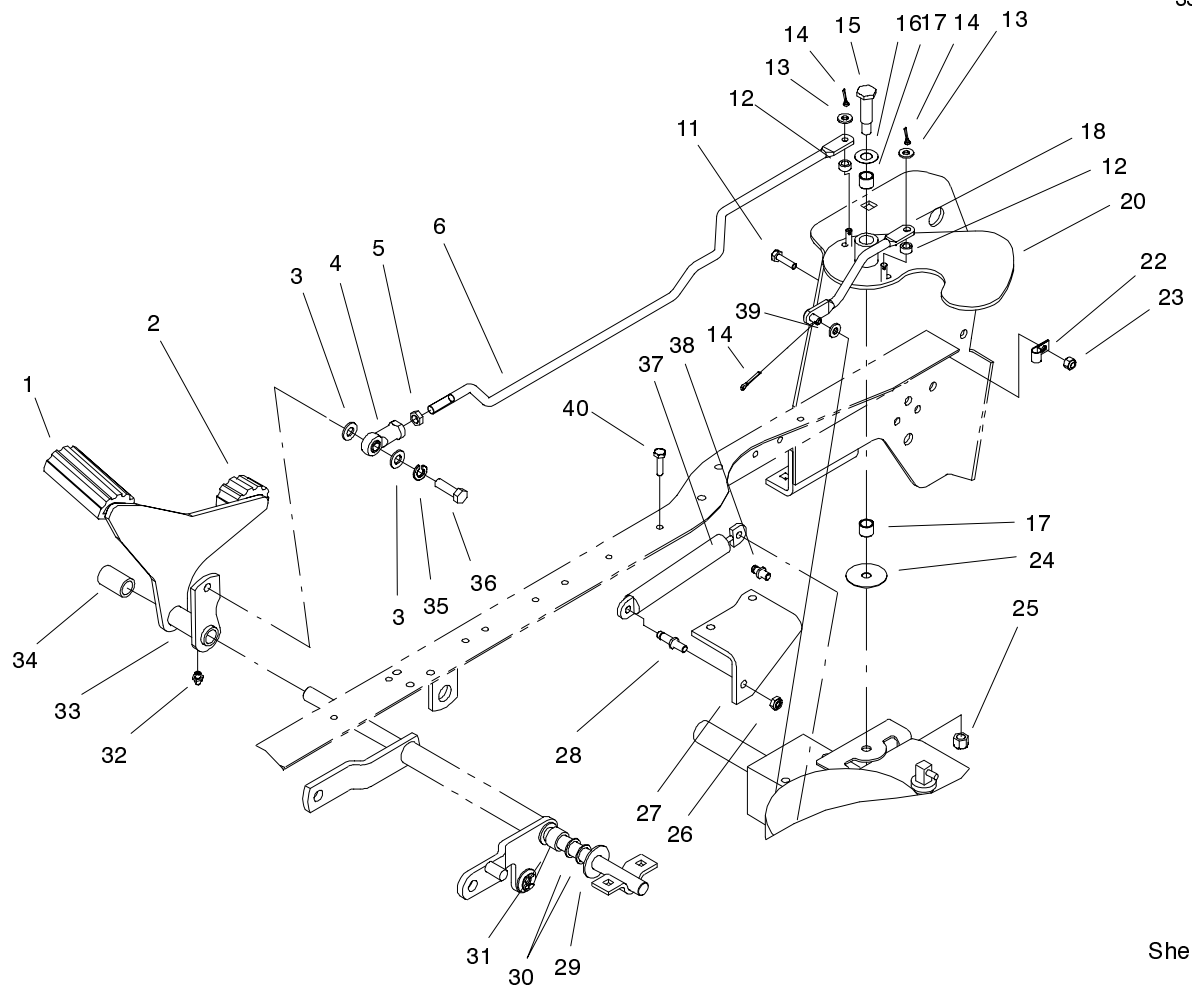
Sheet No.:11

## Lift Lever and HOC Assembly

Ref. No.	Part No.	Qty.	Description
4	92-6794	1	Wedge - HOC
5	32144-4	1	Screw-HH
6	92-6965	1	Rod - HOC
7	933141	1	Pin-Spirol
8	115593	1	Knob
9	78-9740	1	Decal-Height Knob
14	32120-47	5	Ring-Retaining
15	3256-26	6	Washer-Flat
16	79-3401-03	1	Shaft-Gage
17	3231-25	2	Screw-CARR
18	3256-24	2	Washer-Flat
19	3296-39	2	Nut-Lock, NI
20	8870	1	Rod-Trunnion Lift
21	3296-23	1	Nut-Lock, NI
22	79-1250	2	Pin
23	78-7390	1	Tube
24	78-2431	1	Rod
25	94-4944	1	Shaft - Pedal Pivot
26	256-90	2	Bushing-Flange
27	92-6855-03	1	Arm-Pivot
28	78-7360	1	Rod
32	32144-14	2	Screw-HWH
34	92-6978	1	Rod - HOC Indicator
35	92-7007	1	Spring - Extension
37	92-6979	1	Plate - HOC Gage

Ref. No.	Part No.	Qty.	Description
38	78-2140	1	Trunnion
44	3272-6	1	Pin-Cotter





Sheet No.:13

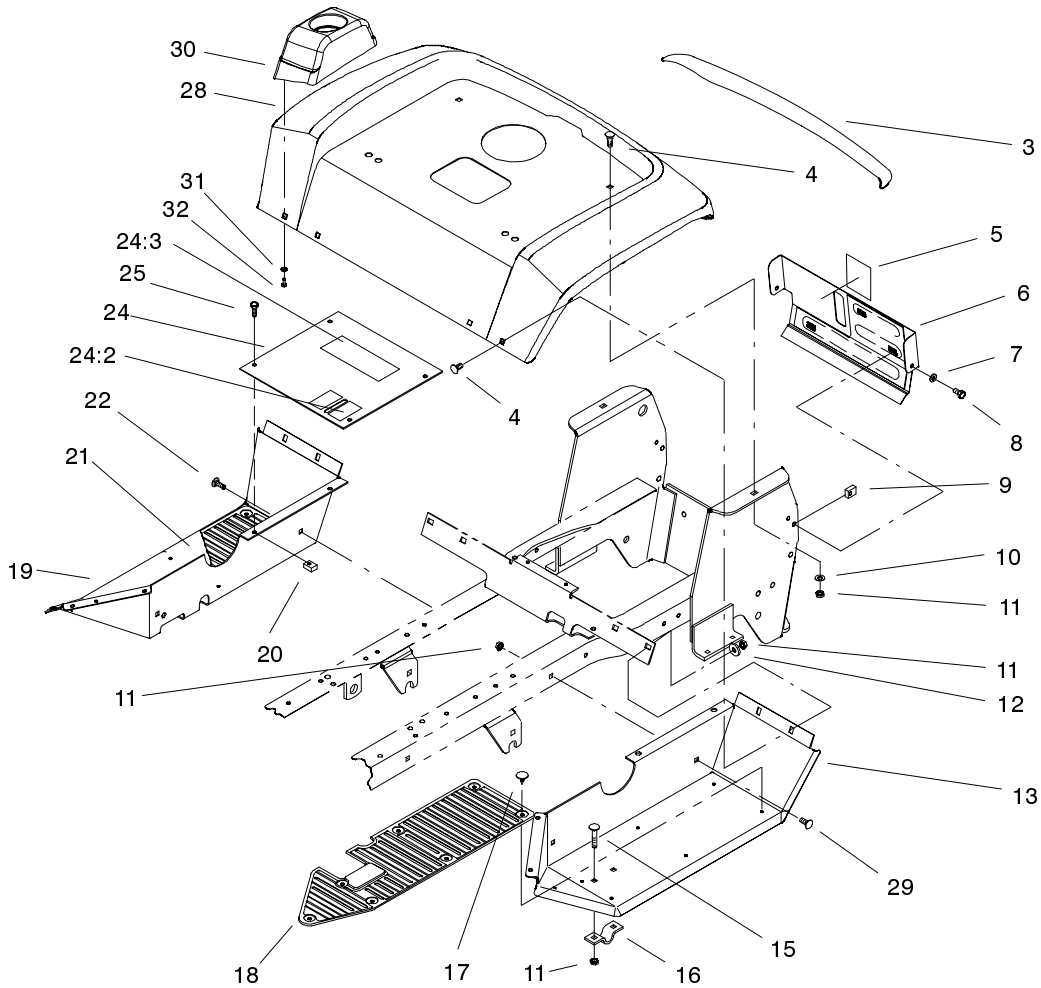
## Hydro Controls Assembly

Ref. No.	Part No.	Qty.	Description
1	92-6902	1	Pad-Pedal
2	92-6903	1	Pad-Pedal
3	3256-24	2	Washer-Flat
4	92-7008	1	Rod End - Female
5	3220-3	1	Nut-Jam
6	100-3450	1	Rod
11	321-4	1	Screw-HH
12	92-6998	2	Spacer - Yoke, Right
13	3256-22	2	Washer-Flat
14	3272-6	3	Pin-Cotter
15	23-0310	1	Bolt-Shoulder
16	98-3087	1	Washer
17	256-1	2	Bushing
18	100-3468	1	Rod-Bell Crank
20	100-3451	1	Plate-Cruise
22	2412-89	1	Clamp
24	94-7575	1	Spacer - Cruise
25	3296-59	1	Nut-Lock, NI
26	3296-20	2	Nut-Lock NI
27	100-3460-03	1	Bracket-Gas Damper
28	100-6057	1	Pin-Damper Bracket
29	94-6875	1	Washer
30	9202154	2	Washer
31	94-4945	1	Spacer
32	302-26	1	Zerk
33	100-6062-03	1	Pedal ASM

Ref. No.	Part No.	Qty.	Description
34	92-6966	1	Spacer
35	3253-5	1	Washer-Lock
36	323-7	1	Screw-HH
37	100-8732	1	Damper-Gas
38	100-6056	1	Control Arm-Pin Damper
39	3256-23	1	Washer-Flat
40	32144-70	1	Screw-HH





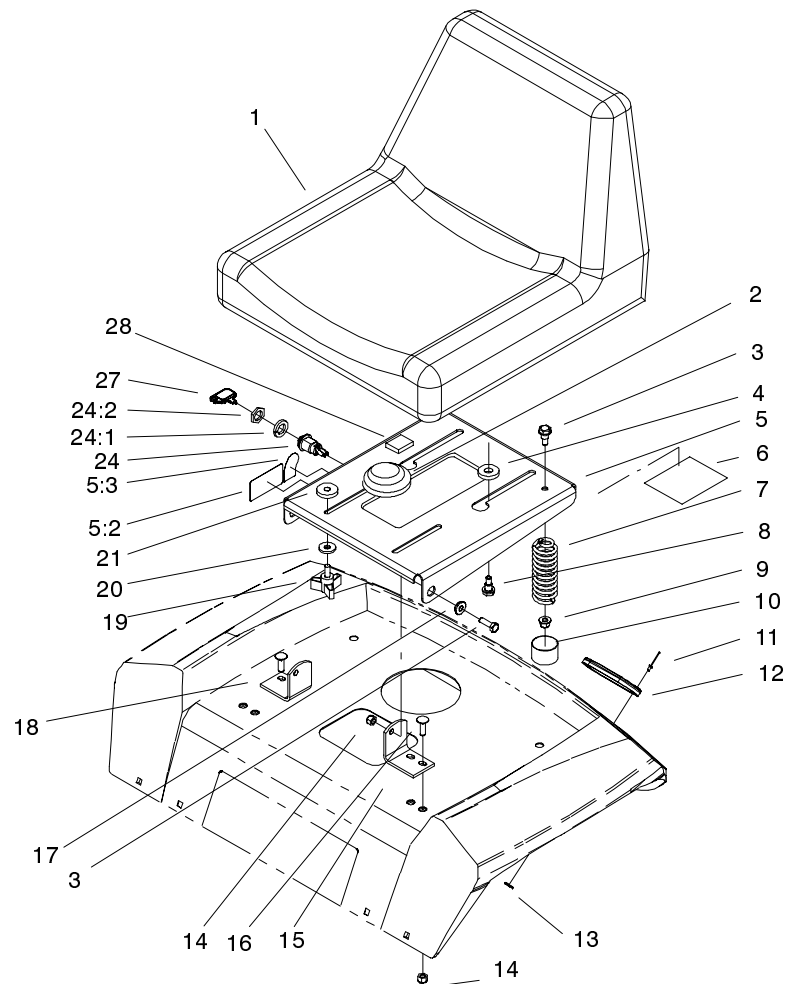


Sheet No.:17

## Fender and Footrests Assembly

Ref. No.	Part No.	Qty.	Description
3	95-0802	1	Decal - Rear Fender
4	3230-31	6	Screw-CARR
5	92-6727	1	Decal - Fuel Level
6	99-6765-03	1	Panel ASM-Rear
7	3256-22	2	Washer-Flat
8	321-4	2	Screw-HH
9	609900	2	Nut-Speed
10	3256-23	2	Washer-Flat
11	3296-29	14	Nut-Lock
12	94-2869	4	Washer
13	94-1711-01	1	Footrest-LH Hydro
15	3230-1	4	Screw-CARR
16	106288	2	Clamp
17	3290-479	14	Fastener-Panel
18	92-6688	1	Foot Mat-LH
19	92-6747-01	1	Footrest-RH
20	107069	4	Clip
21	92-6687	1	Foot Mat-RH
22	3230-23	3	Screw-CARR
24	94-4243	1	Plate - Footrest w/Decals (only on: 72116)
24	93-0489	1	Plate - Footrest (only on: 72108)
24:2	92-6725	1	Decal - HOC (only on: 72108)

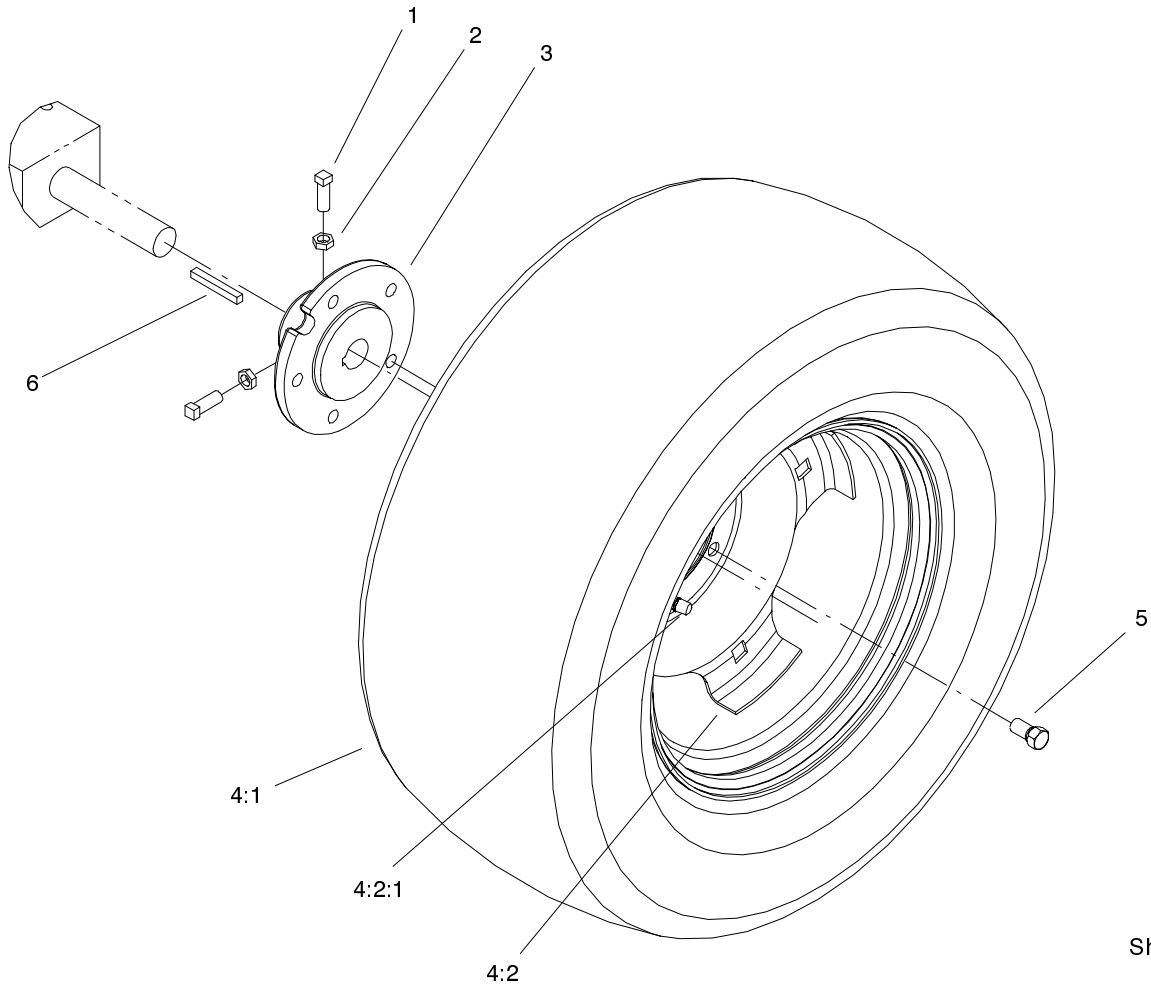
Ref. No.	Part No.	Qty.	Description
24:2	92-7092	1	Decal - HOC (only on: 72116)
24:3	93-7314	1	Decal - Danger (only on: 72116)
24:3	92-8946	1	Decal - Danger (only on: 72108)
25	92-7020	4	Screw-HH
28	104-5030-01	1	Fender ASM
29	3230-23	1	Screw-CARR
30	104-0838	1	Holder-Cup
31	3256-51	4	Washer-Flat
32	32144-20	4	Screw-Thread Forming



Sheet No.:18

## Seat Assembly

Ref. No.	Part No.	Qty.	Description	Ref. No.	Part No.	Qty.	Description
1	104-2463	1	Seat-High Back	15	79-0950-03	1	Bracket-Pivot, RH
2	100-3524	1	Switch-Seat	16	3230-2	4	Screw-CARR
3	322-5	4	Screw-HH	17	105503	2	Bushing
4	92-6750	2	Spacer - Nylon	18	79-0970-03	1	Bracket-Pivot LH
5	104-5028	1	Support Seat ASM, He (only on: 72116)	19	700806	2	Knob
5	104-5027	1	Support Seat ASM (only on: 72108)	20	94-2869	2	Washer
5:2	99-2986	1	Decal-Danger (only on: 72116)	21	109989	2	Spacer - Nylon
5:2	99-2985	1	Decal-Danger (only on: 72108)	24	46-5780	1	Switch-Starter
5:3	99-5340	1	Decal-Switch (only on: 72116)	24:1	3254-5	1	Washer-Lock, Internal
5:3	99-5339	1	Decal (only on: 72108)	24:2	218-461	1	Nut-HH
6	114621	1	Decal-Europe, Noise (only on: 72116)	27	62-7770	1	Key-Ignition
7	92-7054	2	Spring - Compression	28	104-2488	1	Foam-Switch, Seat
8	92-6986	2	Bolt - Shoulder				
9	3296-58	2	Nut-Lock NI				
10	701178	2	Cap-Protector				
11	3290-282	4	Rivet-Pop, Steel				
12	106557	2	Reflector-Stick On				
13	3256-49	4	Washer-Flat				
14	3296-29	6	Nut-Lock				



Sheet No.:20

## Rear Wheel Assembly

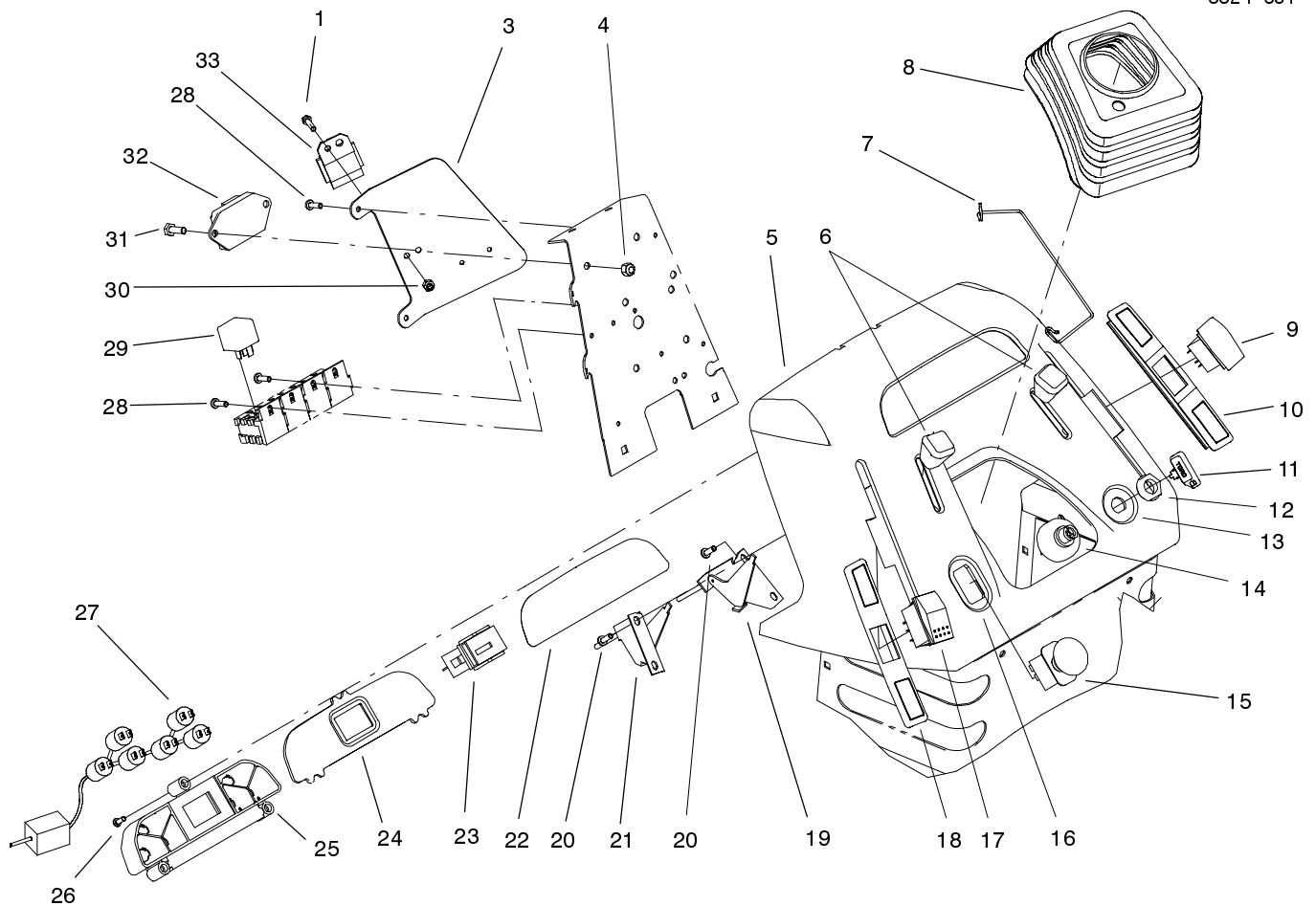
Ref. No.	Part No.	Qty.	Description
1	3243-5	4	Screw-Set
2	3218-3	4	Nut-Jam
3	93-3659-03	2	Hub-Wheel
4		2	Wheel & Tire ASM - Rear
4:1	99-2334	1	Tire
4:2	78-1221	1	Wheel
4:2:1	5108	1	Valve
*4:99	7007	1	Tube-Inner
5	83-2720	10	Lug-Bolt
6	5-1336	2	Key

Ref. No.	Part No.	Qty.	Description

\* Not illustrated



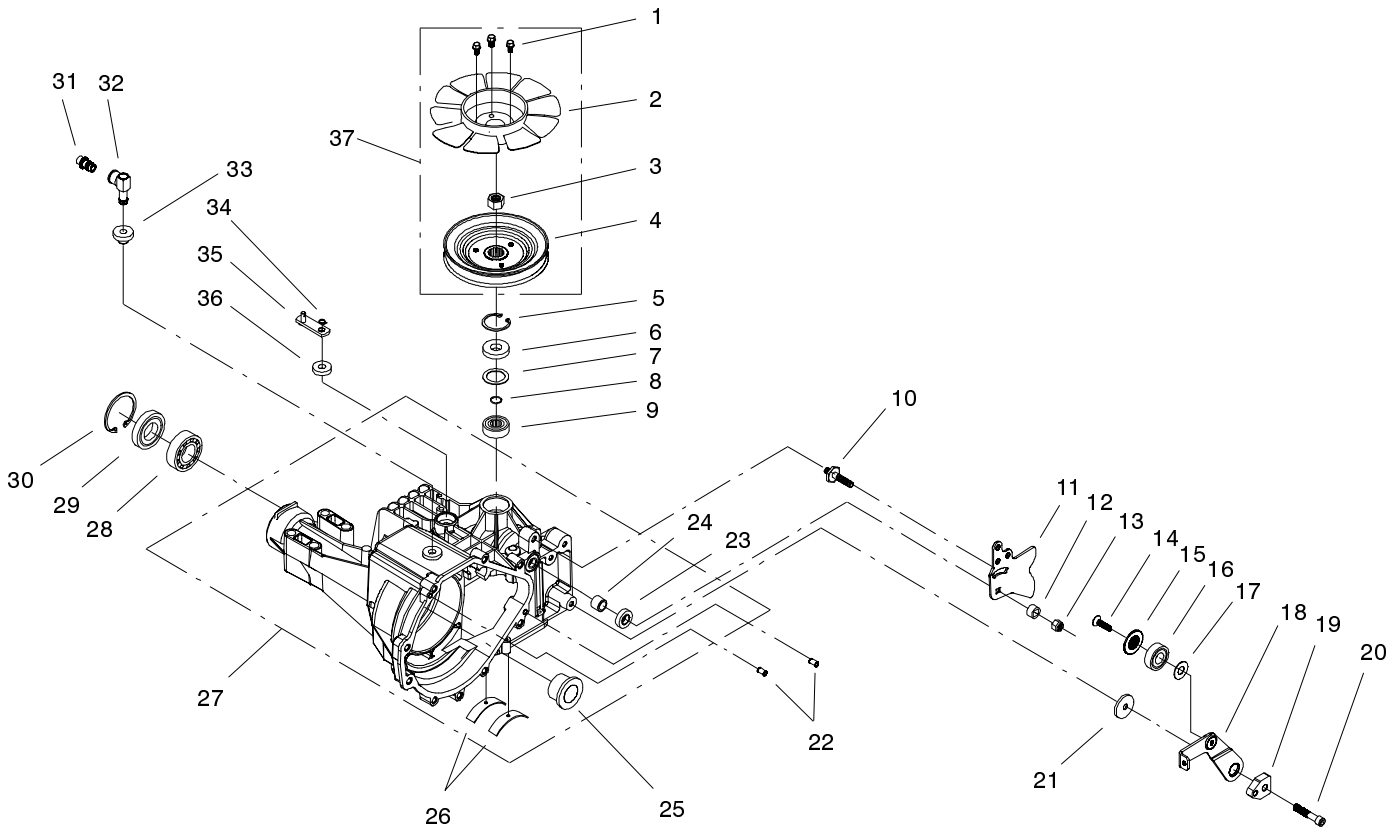




Sheet No.:23

## Dash Assembly

Ref. No.	Part No.	Qty.	Description	Ref. No.	Part No.	Qty.	Description
1	32105-12	2	Screw	17	94-1742	1	Switch
3	104-0848-03	1	Panel-Support, Aux	18	94-3513	1	Cover - Lift (only on: 72116)
4	3296-42	2	Nut-Lock, NI	18	94-1710	1	Cover-Lift (only on: 72108)
5	94-1894	1	Dash	19	92-6784	1	Control-Throttle Twin
6	66-0120	2	Knob	20	32144-32	4	Screw
7	94-2966	1	Clip - Boot	21	92-6783	1	Control - Choke Twin
8	92-6680	1	Boot-Steering	22	99-8035	1	Decal - Dash Lens
9	93-0527	1	Switch - Cruise	23	94-4208	1	Hourmeter
10	93-0533	1	Cover - RH Slot (only on: 72116)	24	92-6705	1	Lens - Dash
10	93-0516	1	Cover - RH Slot (only on: 72108)	25	94-1714	1	Housing - Light
11	62-7770	1	Key-Ignition	26	94-6961	3	Screw
12	700919	1	Nut	27	99-8072	1	Harness-6 Lamp
13	93-7255	1	Decal - Dash (only on: 72116)	28	32144-8	4	Screw-HH
13	92-6721	1	Decal - Throttle, Ignition (only on: 72108)	29	98-7249	4	Relay-Speedometer
14	92-6785	1	Switch - Ignition	30	3296-2	2	Nut-Lock
15	93-9998	1	Switch - PTO	31	321-4	2	Screw-HH
16	93-7256	1	Decal - Dash PTO/Choke (only on: 72116)	32	99-3701	1	Module-Clutch
16	92-6720	1	Decal - PTO/Choke (only on: 72108)	33	99-1933	1	Module-low Voltage



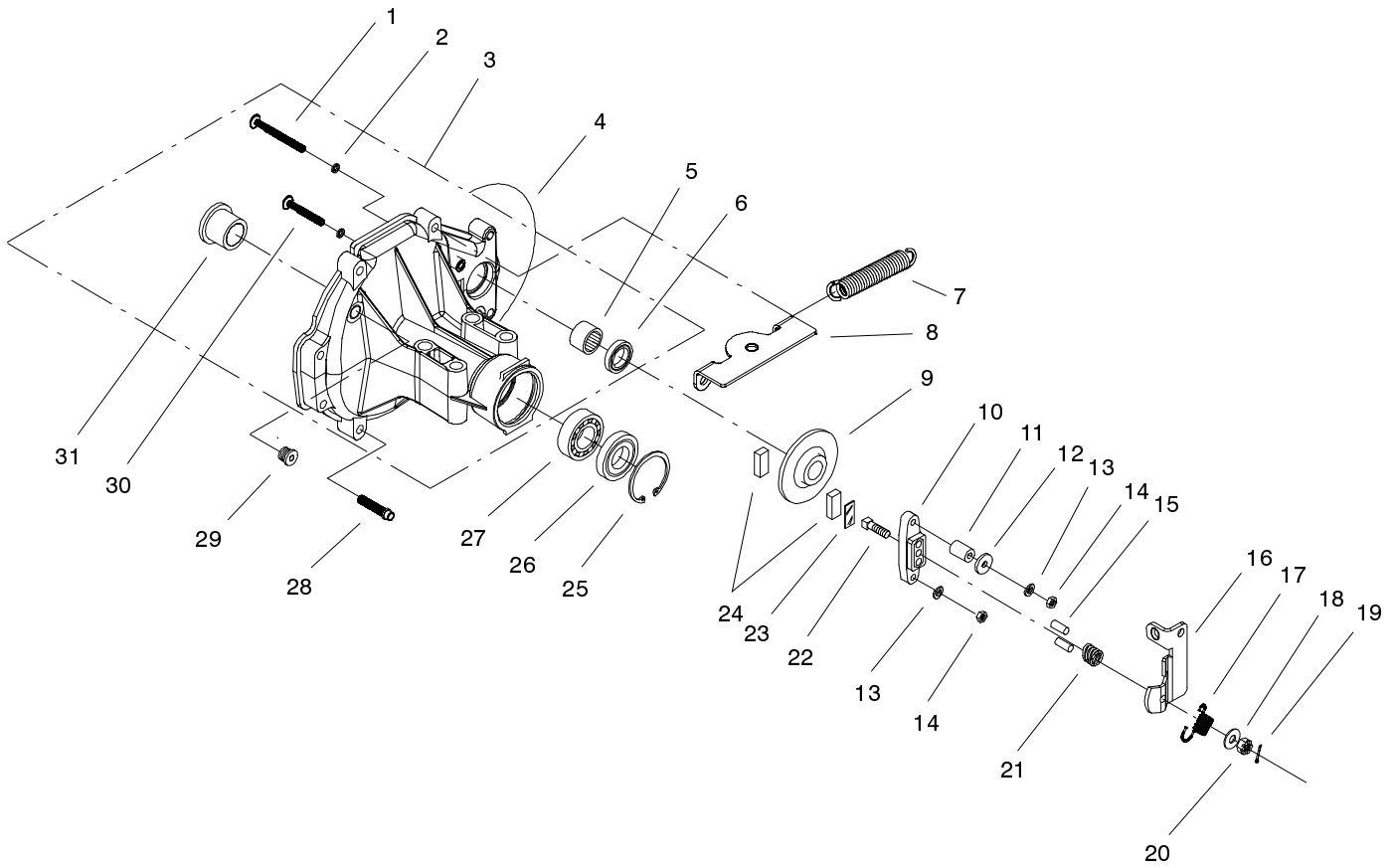
Sheet No.:3

## Housing and Fan Assembly

Ref. No.	Part No.	Qty.	Description
1	104-2164	3	Screw
2	104-2162	1	Fan
3	104-2168	1	Nut-Hex
4	104-2161	1	Pulley
5	94-1903	1	Ring - Retaining
6	92-6543	1	Seal - Lip
7	104-2104	1	Spacer
8	94-1902	1	Ring - Wire Retaining
9	94-1904	1	Bearing - Shaft Ball
10	104-2116	1	Stud
11	100-6093	1	Arm-Control
12	104-2163	1	Spacer, Trunnion
13	104-2159	1	Nut-Hex Lock
14	104-2158	1	Screw-Countersunk
15	104-2157	1	Spacer-Locating
16	104-2156	1	Bearing
17	94-1933	1	Washer
18	104-2114	1	Arm-Return
19	104-2119	1	Puck-Adjusting
20	104-2155	1	Screw
21	104-2154	1	Washer
22	104-2170	2	Pin
23	92-6544	1	Seal - Lip
24	104-2113	1	Trunnion Bushing
25	104-2139	2	Bearing-Flange
26	94-1905	2	Bearing - Cradle

Ref. No.	Part No.	Qty.	Description
27	104-2101	1	Main Housing ASM
28	104-2143	2	Bearing-Ball
29	104-2144	2	Seal
30	104-2169	2	Ring-Retaining
31	104-2167	1	Cap ASM-Vent
32	104-2166	1	Fitting
33	104-2165	1	Bushing, Rubber
34	936109	1	Ring - Retaining
35	104-2117	1	Arm-Bypass
36	92-6545	1	Seal - Lip
37	104-2190	1	Kit-Fan/Pulley



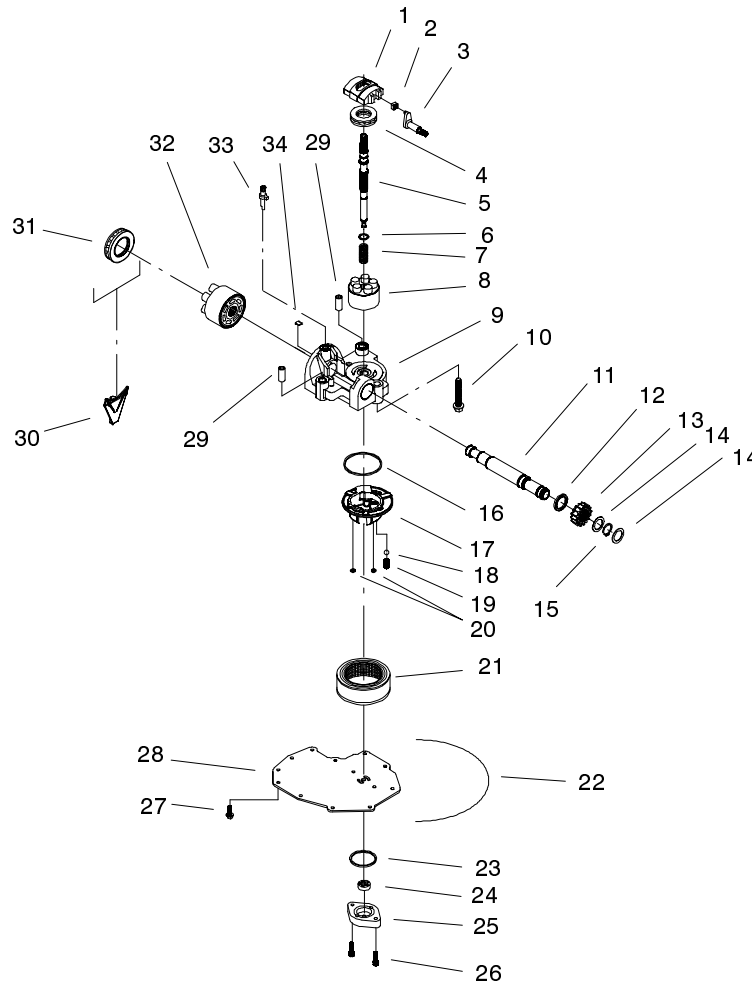


Sheet No.:5

## Brake Assembly

Ref. No.	Part No.	Qty.	Description
1	104-2182	1	Bolt
2	104-2191	4	O-Ring
3	104-2102	1	RH Housing ASM
4	104-2147	1	Sealant
5	104-2149	1	Bearing-Needle
6	104-2152	1	Seal-Lip
7	104-2118	1	Spring-Return
8	100-1349	1	Bracket-Bell Crank
9	104-2153	1	Disk-Brake
10	104-2173	1	Yoke-Brake
11	104-2180	1	Spacer
12	104-2183	1	Washer
13	104-2177	2	Washer-Lock
14	104-2178	2	Nut
15	104-2176	2	Pin-Brake
16	104-0841	1	Arm-Brake
17	104-2184	1	Spring-Brake Arm
18	104-2146	1	Washer
19	104-2179	1	Pin-Cotter
20	93-3807	1	Nut - Castle
21	104-2188	1	Spring-Brake, Anti Drag
22	104-2174	1	Bolt-SQH
23	104-2181	1	Puck-Plate
24	104-2171	2	Puck-Brake
25	104-2169	2	Ring-Retaining

Ref. No.	Part No.	Qty.	Description
26	104-2144	2	Seal
27	104-2143	2	Bearing-Ball
28	104-2148	9	Screw-TTH
29	104-2189	1	Plug, Straight Thread
30	104-2172	1	Bolt
31	104-2139	2	Bearing-Flange

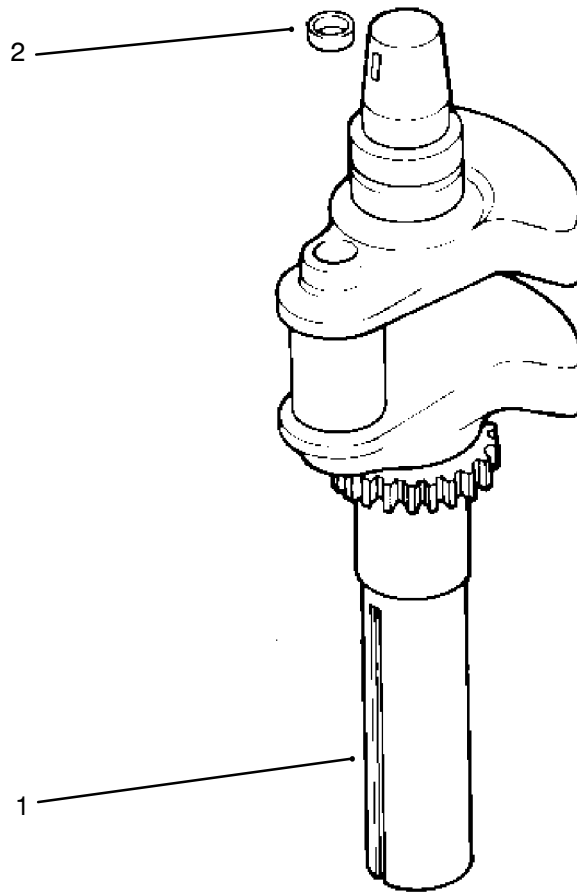


Sheet No.:6

### Cylinder Block Assembly

Ref. No.	Part No.	Qty.	Description
1	94-1907	1	Swashplate - Variable
2	94-1910	1	Guide - Slot
3	104-2112	1	Trunnion ASM
4	94-6922	1	Bearing - Thrust
5	104-2105	1	Shaft-Input
6	94-1937	1	Washer - Block Thrust
7	94-1936	1	Spring - Block
8	104-2106	1	Cylinder Block ASM
9	104-2103	1	Kit, Center Section
10	94-6926	3	Bolt
11	104-2107	1	Shaft-Output
12	104-2109	1	Spacer
13	104-2110	1	Gear-Pinion, 16t
14	104-2150	2	Washer
15	104-2151	1	Ring-Retaining
16	104-2185	1	O-Ring
17	104-2156	1	Bearing
18	104-2187	1	Ball, 7/16
19	104-2186	1	Spring, Relief
20	104-2191	4	O-Ring
21	104-2125	1	Filter
22	104-2147	1	Sealant
23	104-2123	1	O-Ring
24	104-2122	1	Gerotor ASM
25	104-2124	1	Gerotor Cover
26	104-2111	2	Capscrew

Ref. No.	Part No.	Qty.	Description
27	104-2120	11	Screw
28	104-2121	1	Cover-Lower
29	94-1927	2	Pin
30	104-2127	1	Retainer-Motor Bearing
31	94-6923	1	Bearing - Thrust
32	94-1913	1	Cylinder Block ASM
33	94-1914	1	Actuator - Bypass
34	94-6925	1	Plate - Bypass

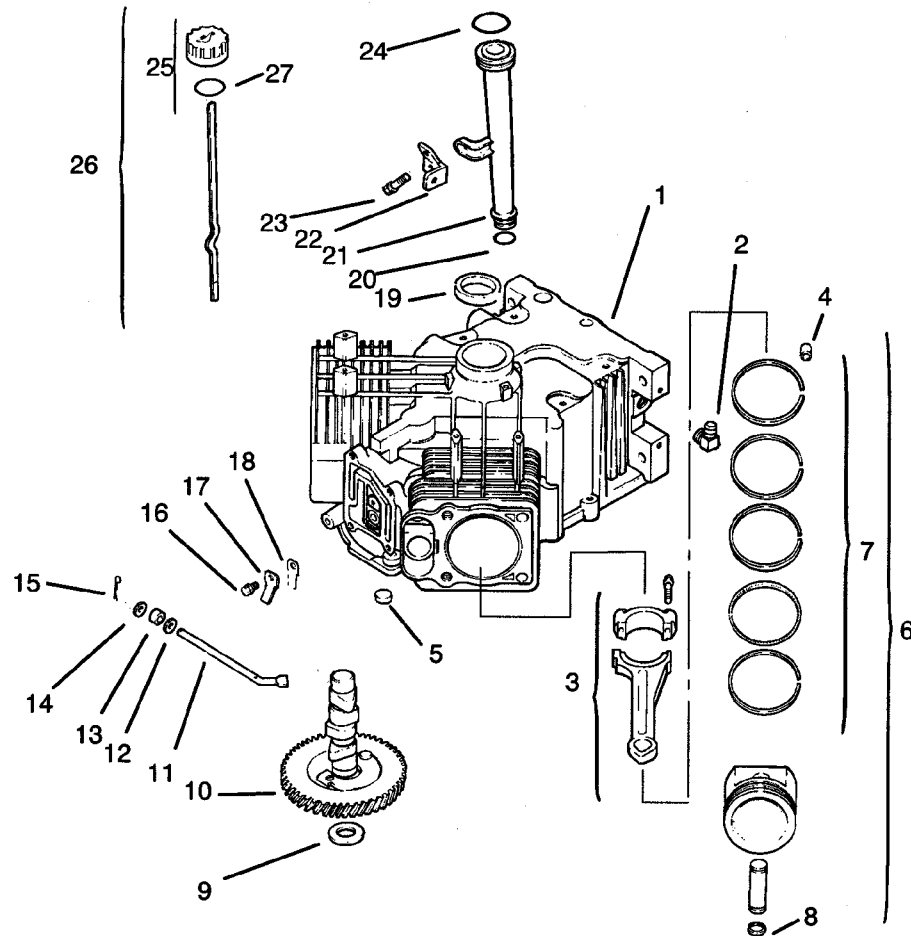


### Crankshaft – Kohler CV20S – PS65531 and PS65532

Ref. No.	Part No.	Qty.	Description
1	24 014 42	1	Crankshaft
2	52 139 09	1	Plug-Cup

Ref. No.	Part No.	Qty.	Description

Obtain parts from Kohler



Sheet No.: 202

C-1960

## Crankcase-Kohler CV20S-PS65531 and PS65532

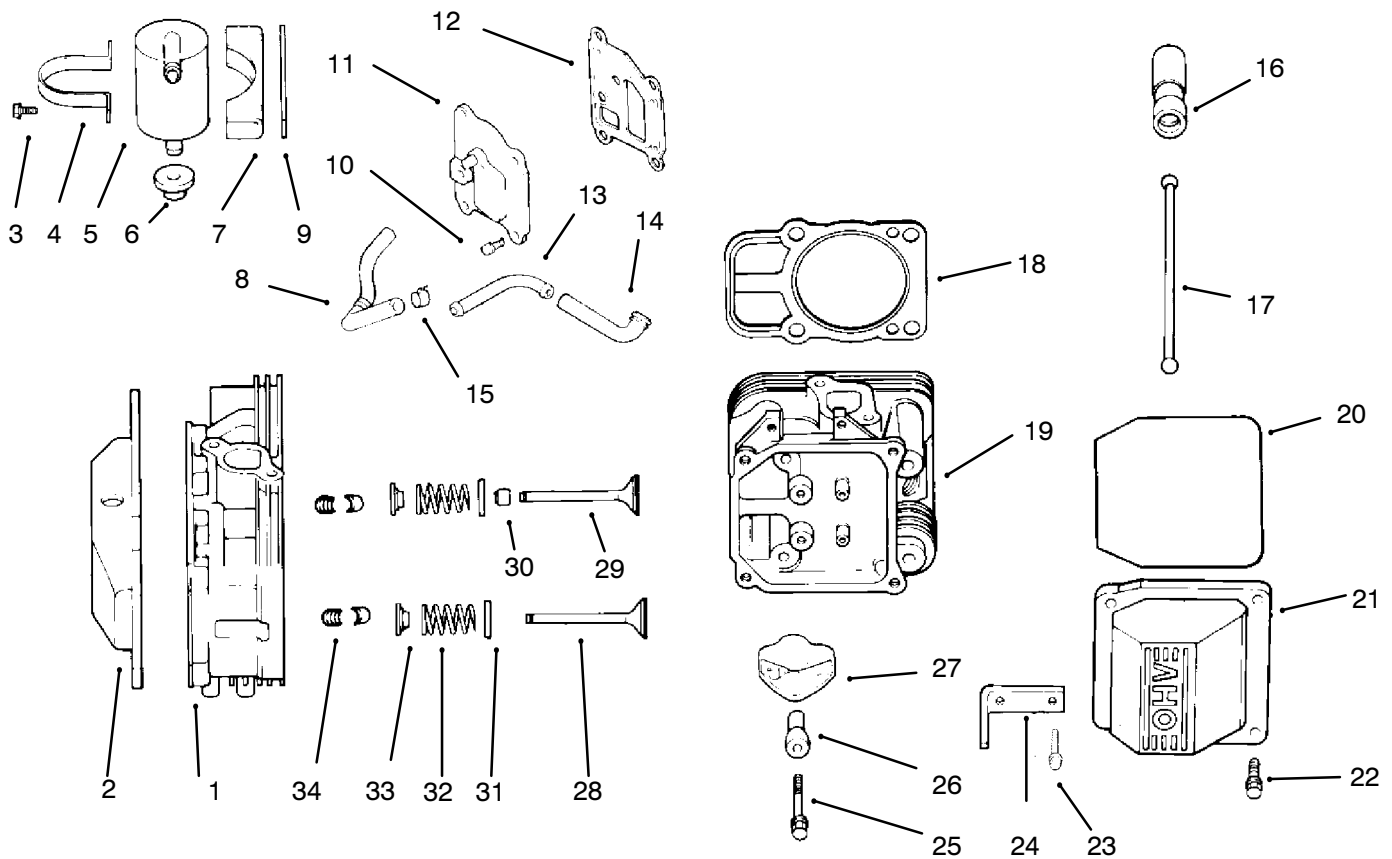
Ref. No.	Part No.	Qty.	Description	Ref. No.	Part No.	Qty.	Description
1	24 522 09	1	Short Block	13	12 032 01	1	Seal-Governor Shaft
2	25 155 02	1	Connector-90 DEG	14	X-25-102	1	Washer-Flat
3	24 067 01	2	Connecting Rod STD	15	12 380 04	1	Pin-Governor Hitch
3	24 067 02	2	Connecting Rod .25	16	M-0545010	2	Screw M5x0.8x10
†4	12 380 03	6	Dowel-Locating	17	24 018 04	2	Retainer-Reed
5	52 139 09	1	Plug-Cup	18	24 402 01	2	Beed-Breather
6	24 874 01	2	Piston ASM STD INC 4/7/8	19	24 032 01	1	Seal-Oil
6	24 874 02	2	Piston ASM .25 INC 4/7/8	20	12 153 01	1	O Ring-Lower Fill Tube
6	24 874 03	2	Piston ASM .50 INC 4/7/8	21	12 123 04	1	Tube-Oil Fill
†7	24 108 01	2	Ring Set STD INC 4/8	22	24 126 19	1	Bracket-Oil Fill Tube
7	24 108 02	2	Ring Set .25 INC 4/8	23	M-0549016	1	Screw M5x0.8x16
7	24 108 03	2	Ring Set .50 INC 4/8	24	12 153 02	1	O Ring-Upper Fill Tube
†8	24 018 01	4	Retainer-Piston Pin	25	24 038 04	1	Dipstick INC 26-27
9	12 422 07	1	Shim-Camshaft A/R	†26	25 755 13	1	Kit-Oil Cap INC 3
9	12 422 08	1	Shim-Camshaft A/R	†27	12 153 03	1	O Ring-Fill Cap
9	12 422 09	1	Shim-Camshaft A/R	*	24 755 03	1	Gasket Set
9	12 422 10	1	Shim-Camshaft A/R				
9	12 422 11	1	Shim-Camshaft A/R				
9	12 422 12	1	Shim-Camshaft A/R				
9	12 422 13	1	Shim-Camshaft A/R				
10	24 012 05	1	Camshaft				
11	24 144 01	1	Shaft-Governor Cross				
12	X-25-63	1	Washer-Flat				

† Included in a service kit or in an assembly

\* Not illustrated

Obtain parts from Kohler





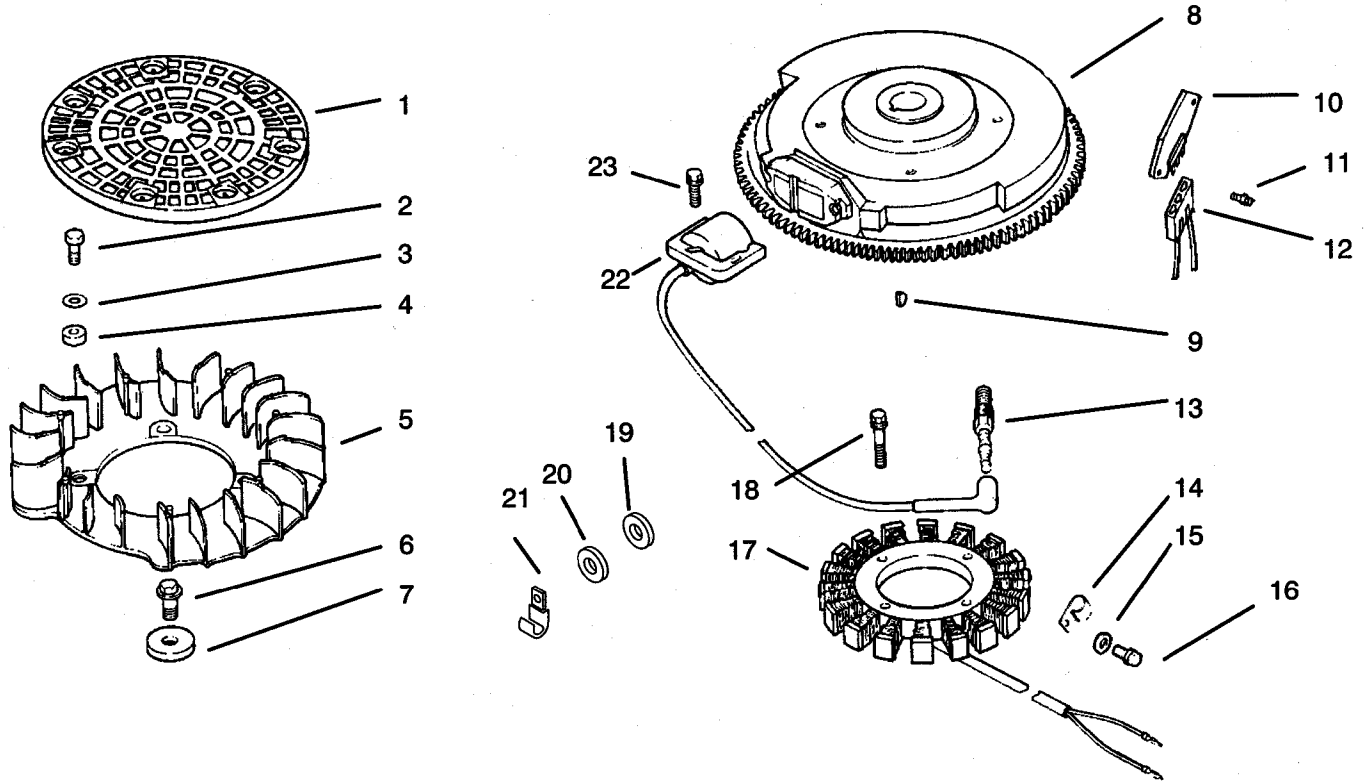
Sheet No.: 204

## Head/Valve/Breather – Kohler CV20S – PS65531 & PS65532

Ref. No.	Part No.	Qty.	Description
1	24 318 11	1	Head ASM-#1 Cylinder
2	24 755 76	1	Kit-Valve Incl 6 20-22
3	M-0545016	2	Screw M5x0.8x16
4	24 445 02	1	Strap-Breather
5	24 755 57	1	Kit-Breather Incl 3-9
6	25 313 02	1	Grommet-Rubber
7	24 126 44	1	Bracket-Breather Sep
8	24 326 13	1	Hose-Breather
9	24 112 12	1	Spacer
10	M-0645020	4	Screw-HH M6x1.0x20
11	24 096 15	1	Cover-Breather
12	24 041 23	1	Gasket-Breather
13	24 294 06	1	Fitting
14	24 326 14	1	Hose-Breather
15	X-426-9	2	Clamp-Hose
16	12 351 01	4	Lifter-Valve
17	24 411 05	4	Rod-Push
18	24 041 08	2	Gasket-Cylinder Head
19	24 318 12	1	Head ASM-#2 Cylinder
20	24 153 12	1	O-Ring
21	24 755 74	1	Kit Valve Incl 20-22
22	24 086 32	4	Screw-Shoulder
23	12 086 16	8	Screw M10x1.5x91
24	24 445 01	1	Strap-Lifting

Ref. No.	Part No.	Qty.	Description
25	M-0640034	4	Screw M6x1.0x34
26	24 599 01	4	Pivot-Rocker Arm
27	25 186 01	4	Arm-Rocker
28	24 016 01	2	Valve-Exhaust
28	24 016 02	2	Valve-Exhaust (.25)
29	24 017 01	2	Valve-Intake
29	24 017 02	2	Valve-Intake (.25)
30	24 032 05	2	Seal-Valve Stem
31	235011	4	Retainer-Spring
32	24 089 02	4	Spring-Valve
33	12 173 01	4	Cap-Valve Spring
34	12 755 03	4	Kit-Retainer
	24 033 03	1	Kit-Breather Incl 11-12
	24 755 66	1	Kit-Valve Incl 17 26-27

Obtain parts from Kohler



Sheet No.: 205  
C-1963

## Ignition / Electrical - Kohler CV20S - PS65531 and PS65532

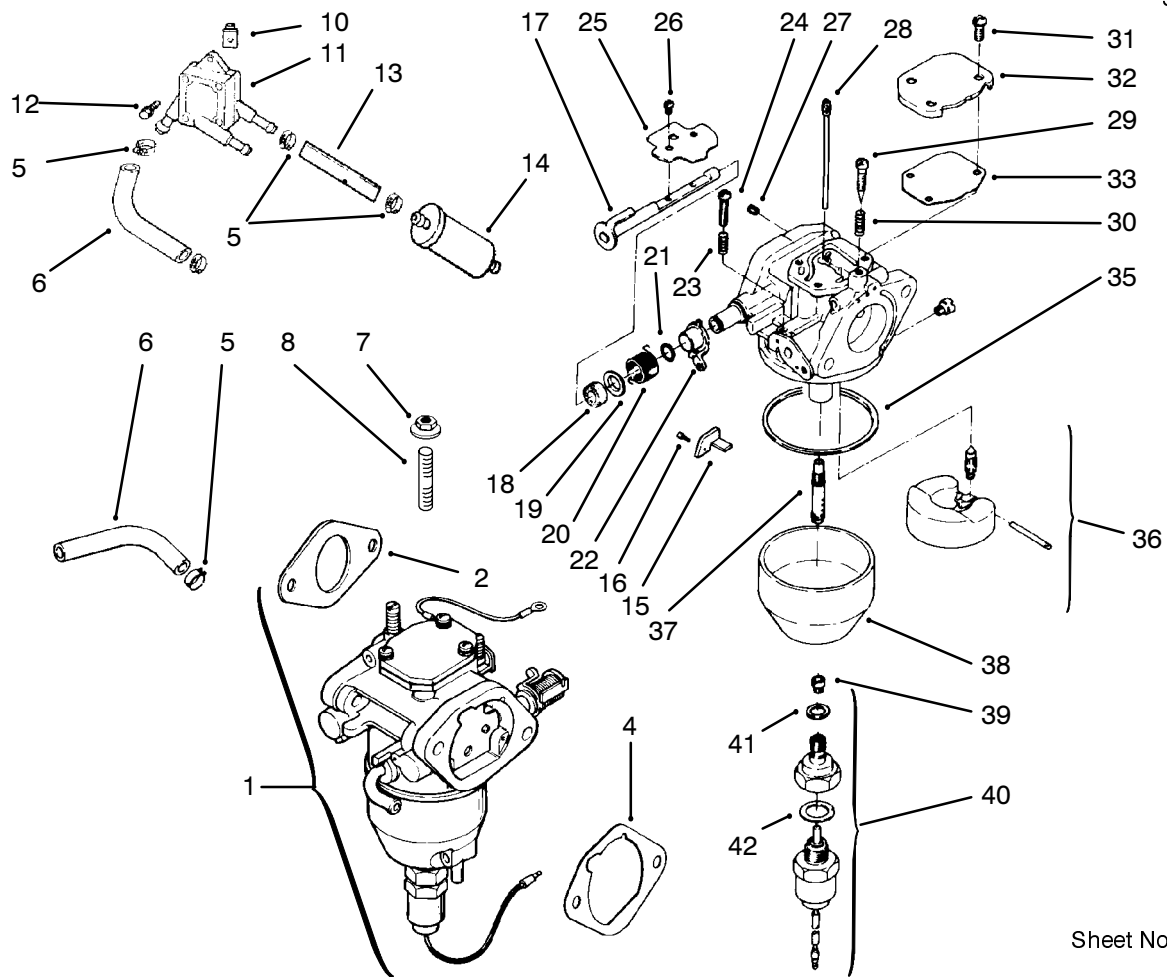
Ref. No.	Part No.	Qty.	Description
1	24 162 17	1	Screen-Grass
2	M-0401025	4	Screw M4x0.7x24
3	X-25-92	4	Washer-Flat
4	24 112 04	1	Spacer-Fan
5	24 157 03	1	Fan
6	M-0639016	4	Screw M6x1.0x16
7	12 112 01	4	Spacer-Fan
8	24 025 04	1	Flywheel ASM
9	X-42-15	1	Key
10	25 403 03	1	Rectifier-Regulator
11	24 086 06	2	Screw-Phillips
12	236602	1	Connector-Regulator
13	12 132 02	2	Spark Plug
14	48 154 02	1	Clip-Stator Harness
15	12 468 03	1	Washer-Flywheel
16	12 086 14	1	Screw-Flywheel Mounting
17	24 085 01	1	Stator-15 Amp
18	M-0548025	2	Screw M5x0.8x25
19	X-25-63	2	Washer-Flat
20	X-25-92	2	Washer-Flat
21	235173	1	Clip-Cable
22	24 584 01	1	Module-Ignition
23	M-0545020	4	Screw M5x0.8x20
*	24 113 18	1	Decal-Grass Screen

Ref. No.	Part No.	Qty.	Description
*	24 176 06	1	Harness-Wire
*	24 518 04	1	Lead-Green

\* Not illustrated  
Obtain parts from Kohler







Sheet No.: 208

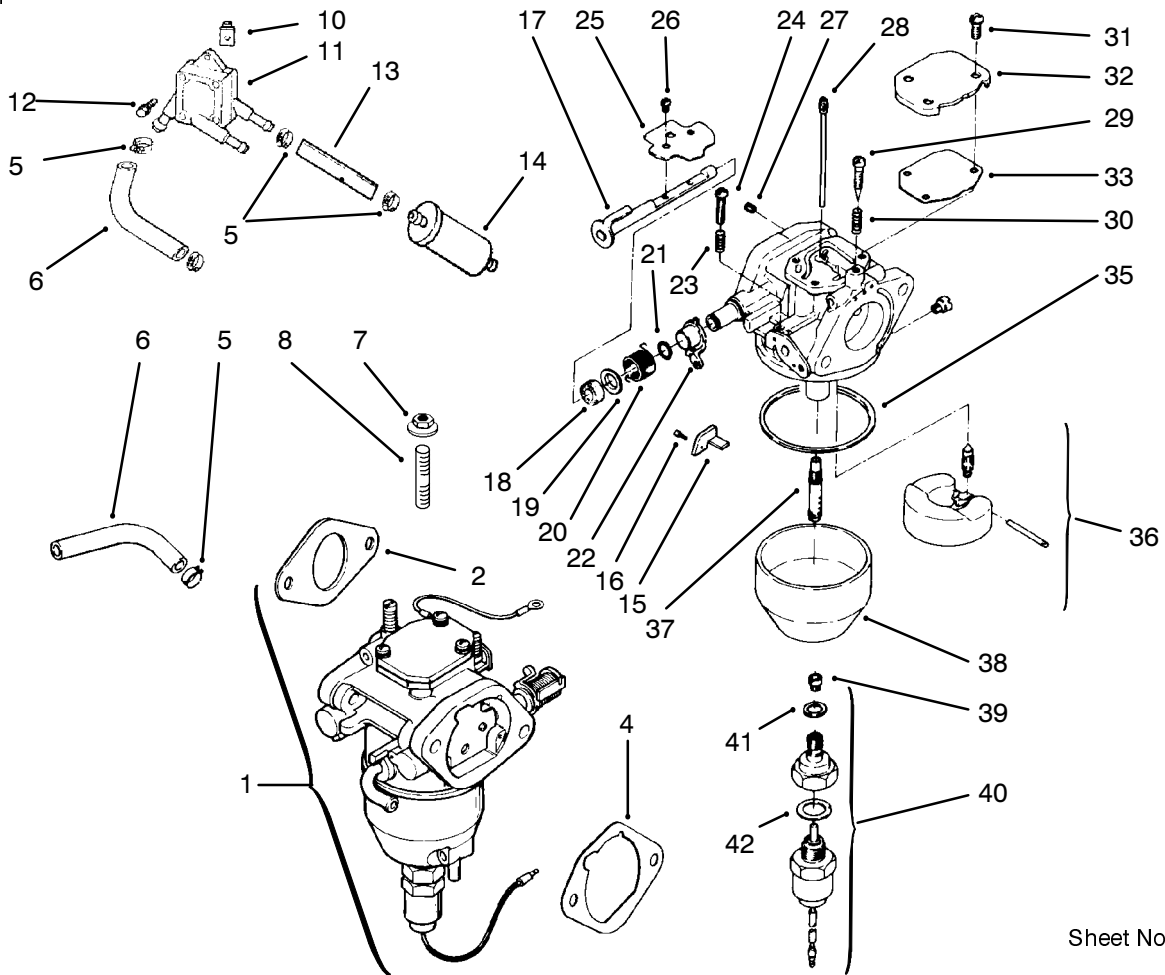
## Fuel System—Kohler CV20S—PS65531 and PS65532

Ref. No.	Part No.	Qty.	Description	Ref. No.	Part No.	Qty.	Description
1	24 853 19	1	Kit-Carb INC 2/4/15-42	†28	24 337 11	1	Jet-Slow
†2	24 041 15	1	Gasket-Carburetor	†29	24 086 22	1	Screw-Idle Adjust
†4	24 041 14	1	Gasket-A/C Base	†30	24 089 23	1	Spring-Idle Adjust Screw
5	X-426-9	6	Clamp-Hose	†31	24 086 21	3	Screw
6	24 353 03	2	Line-Fuel 10 1/2"	†32	24 096 13	1	Cover-Passage
7	Sm-0641060	2	Nut M6x1.0	†33	24 041 18	1	Gasket-Passage Cover
8	M-0629095	2	Stud M6x1.0x95	†35	24 041 19	1	Gasket-Float Chamber
10	24 100 01	2	Nut-Plastic	†36	24 757 05	1	Kit-Float Repair
11	24 393 04	1	Pump-Fuel	†37	24 369 01	1	Nozzle-Main
12	24 086 12	2	Screw-Cable Clip	†38	24 234 01	1	Chamber-Float
13	25 353 15	1	Line-Fuel 3 1/2"	†39	24 337 20	1	Jet-Main
14	25 050 02	1	Filter-Fuel	†40	24 755 15	1	Kit-Solenoid INC 41-42
†15	24 126 29	1	Bracket-Throttle Stop	†41	24 041 21	1	Gasket-Chamber Screw
†16	M-0259006	1	Screw M2.5x45x5.5	†42	24 041 20	1	Gasket-Solenoid
†17	24 144 15	1	Shaft-Choke	*	24 041 15	1	Gasket-Carburetor
†18	24 468 05	1	Washer	*	24 063 22	1	Baffle-Carburetor
†19	24 241 01	1	Collar-Choke	*	24 755 25	1	Kit-Hi Alt 1500-3000 M
†20	24 089 22	1	Spring-Choke Return	*	24 755 26	1	Kit-Hi Alt Over 3000 M
†21	24 141 04	1	Ring-Choke Lever				
†22	24 090 10	1	Lever-Choke				
†23	24 089 24	1	Spring-Throttle Screw				
†24	24 086 19	1	Screw-Throttle Adjust				
†25	24 462 02	1	Valve-Choke				
†26	24 086 20	4	Screw-Throttle Shaft				
†27	24 337 27	1	Jet-Air Bleed				

† Included in a service kit or in an assembly

\* Not illustrated

Obtain parts from Kohler



Sheet No.: 208

## Fuel System—Kohler CV20S—PS65531 and PS65532

Ref. No.	Part No.	Qty.	Description
*	24 757 06	1	Kit-Carburetor Repair

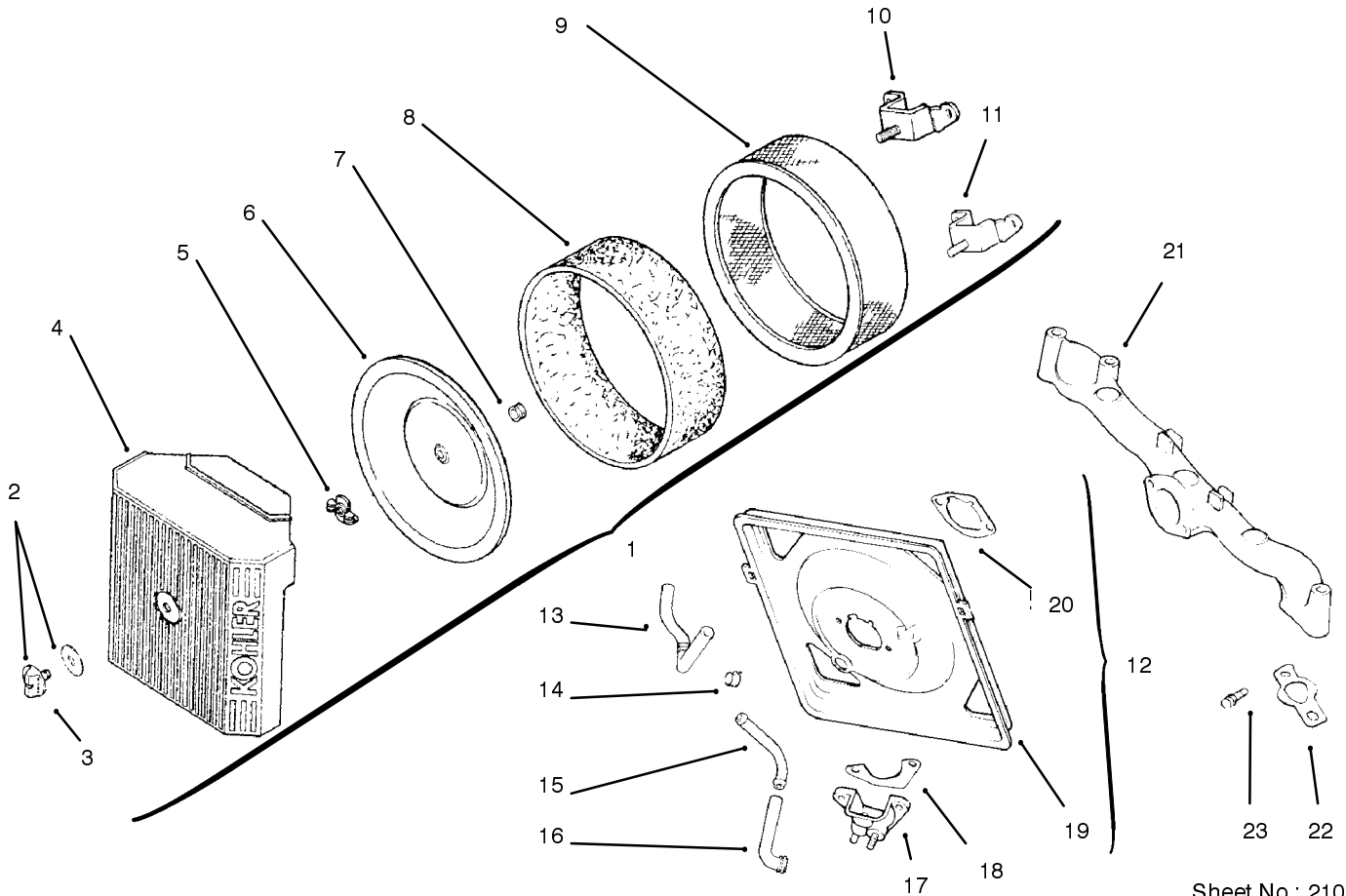
Ref. No.	Part No.	Qty.	Description

† Included in a service kit or in an assembly

\* Not illustrated

Obtain parts from Kohler





Sheet No.: 210

## Air Intake / Filtration-Kohler CV20S-PS65531 & PS65532

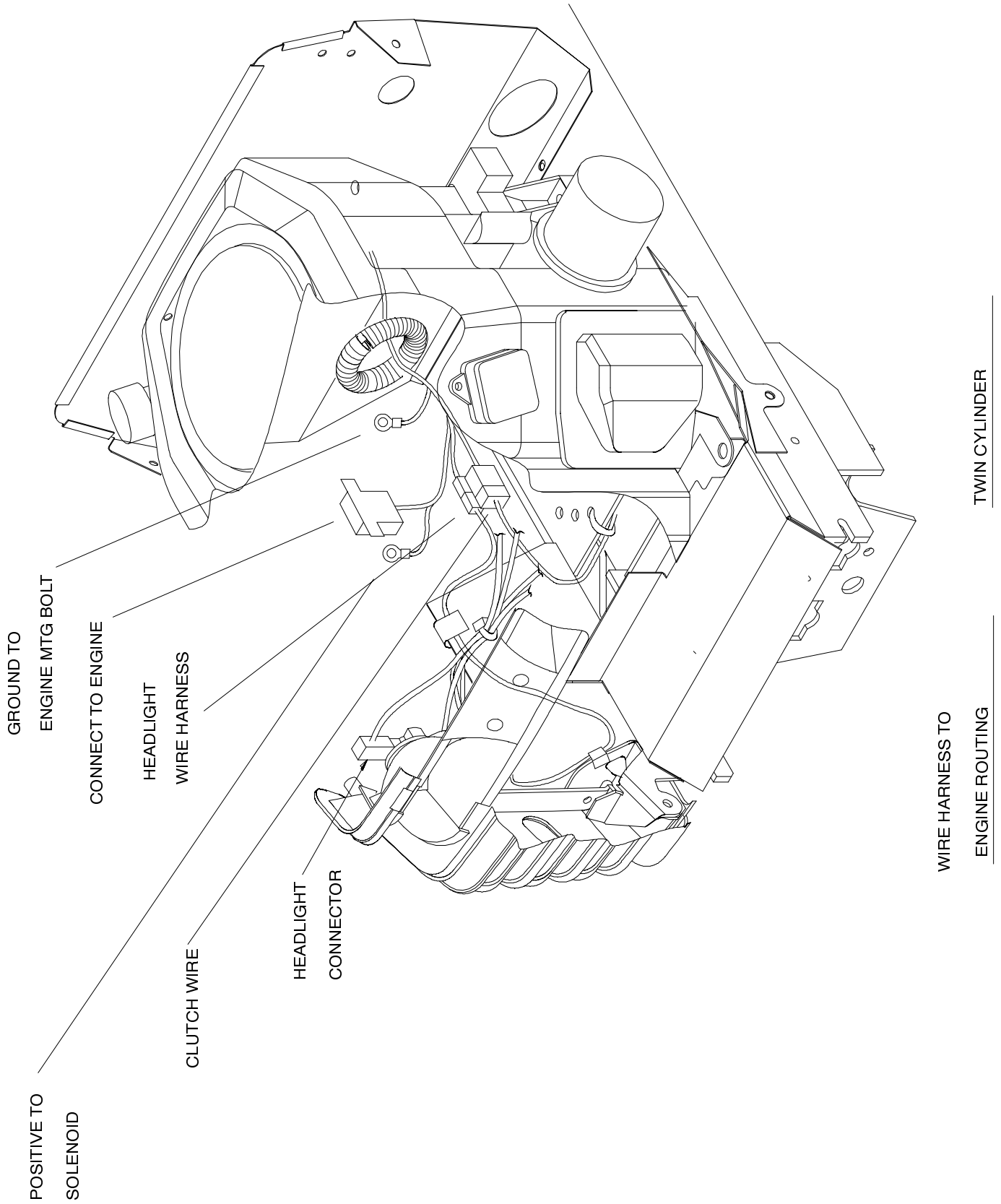
Ref. No.	Part No.	Qty.	Description
1	24 743 05	1	Kit-Air Cleaner Cover
2	24 755 91	1	Kit-Knob W/Gasket
3	25 341 02	1	Knob-Cover
4	24 096 24	1	Cover-Air Cleaner
5	12 100 01	1	Nut-Wing
6	24 096 01	1	Cover-Inner Air Cleaner
7	24 032 03	1	Seal-Air Intake
8	24 083 02	1	Element-Precleaner
9	47 083 03	1	Element-Air Cleaner
10	24 126 21	1	Bracket-Air Cleaner Base
11	24 126 43	1	Bracket-Air Cleaner
12	24 755 86	1	Kit-Air Cleaner Base
13	24 326 13	1	Hose-Breather
14	X-426-9	2	Clamp-Hose
15	24 294 06	1	Fitting
16	24 326 14	1	Hose-Breather
17	24 109 06	1	Cup-Fuel Spitback
18	24 041 13	1	Gasket-Fuel Spitback Cup
19	24 094 14	1	Base-Air Cleaner
20	24 041 14	1	Gasket-A/C Base
21	24 164 06	1	Manifold-Intake
22	24 041 01	2	Gasket-Intake

Ref. No.	Part No.	Qty.	Description
23	M-0651055	4	Manifold Screw

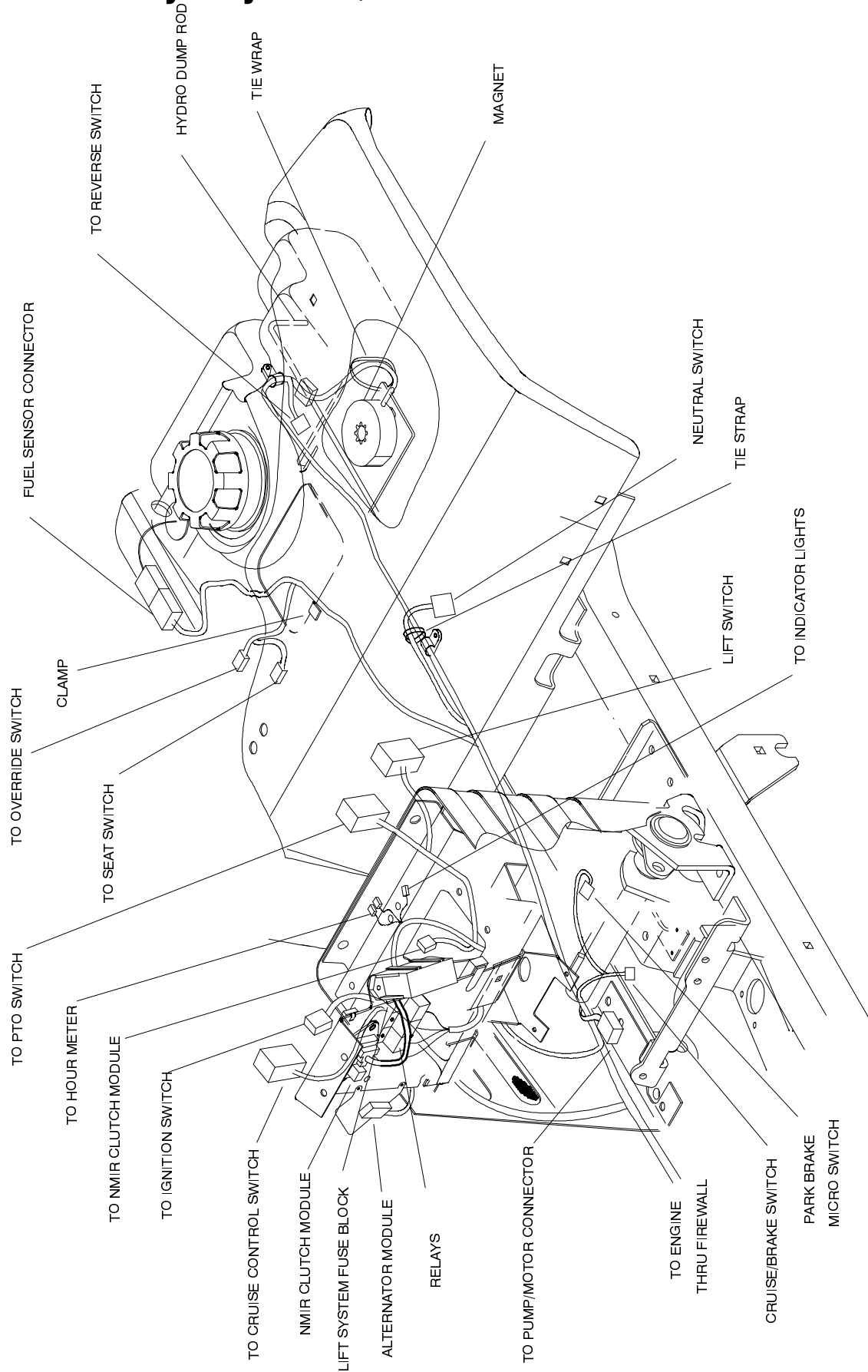
Obtain parts from Kohler



# Engine Wire Harness Routing Assembly



# Twin Cyl. Hydro w/Cruise & Power Lift Wire Routing



WIRE HARNESS ROUTING  
TWIN CYLINDER HYDRO  
W/CRUISE AND POWER LIFT

# 270-H Wiring Schematic

