



312-8, 314-8 Garden Tractor

Wheel Horse[®] Classic Garden Tractor

Model No. 73429-21000001 and Up

Model No. 73449-21000001 and Up

Parts Catalog

Ordering Replacement Parts

To order replacement parts, please supply: the part number, the quantity, and the description of each part desired.

Understanding Reference Numbers

Each identified part in an illustration has a reference number. The reference number for a part also appears in the parts list, along with other information about the part.

This catalog uses two special reference number formats, one to indicate parts in a service assembly and another to indicate the quantity of a given part in an illustration.

Service Assembly Reference Numbers

Parts in service assemblies have reference numbers in the form **a:b**. The **a** represents the reference number of the entire service assembly and the **b** represents a sequential number unique to each part within the service assembly.

For example, a wheel assembly might be identified by reference number **6**, the tire by **6:1**, the valve by **6:2**, and the wheel by **6:3**. When you order the assembly identified by reference number **6**, you receive all parts identified by reference numbers **6:1**, **6:2**, and **6:3**. However, you may also order any part individually.

Reference numbers of this type appear in illustrations and in part lists.

Reference Numbers Indicating Quantity

In an illustration, if a reference number indicates more than one part, the reference number has the form **nX y**. The **n** represents the quantity of the part, the **X** is the multiplication symbol, and the **y** represents the reference number.

For example, in an illustration, the reference number **2X 37** means that two of the parts identified by reference number **37** are indicated.

Contents

| Description | Page | Description | Page |
|---|------|--|-------|
| Hood Assembly | 3 | Crankshaft (Model 73429 Only) | 28 |
| Frame, Axle And Steering System | 4 | Crankcase (Model 73429 Only) | 29 |
| Hoodstand, Console Assembly | 5 | Oil Pan / Lubrication (Model 73429 Only) | 30 |
| Hoodstand, Console Assembly (continued) | 6 | Cylinder Head / Valve And Breather (Model 73429 Only) | 31 |
| Footrest And Hoodstand Side Covers Assembly | 7 | Ignition / Electrical (Model 73429 Only) | 32 |
| Gauges, Warning Lights And Controls Assembly | 8 | Blower Housing And Baffles (Model 73429 Only) | 33 |
| Manual Lift System Assembly | 9 | Starter (Model 73429 Only) | 34 |
| Clutch System Assembly | 10 | Carburetor And Fuel Pump (Model 73429 Only) | 35 |
| Brake System Assembly | 11 | Engine Controls (Model 73429 Only) | 36 |
| Fender , Seat And Tail Lights/Reflectors Assembly | 12 | Air Intake / Filtration (Model 73429 Only) | 37 |
| PTO Clutch And Cover Assembly | 13 | Exhaust (Model 73429 Only) | 38 |
| PTO Clutch System And Belt Guide Assembly | 14 | Crankshaft (Model 73449 Only) | 39 |
| Engine Assembly | 15 | Crankcase (Model 73449 Only) | 40 |
| Transaxle Assembly | 16 | Oil Pan / Lubrication (Model 73449 Only) | 41 |
| Wheels Assembly | 17 | Cylinder Head / Valve And Breather (Model 73449 Only) | 42 |
| Hitch Assembly | 18 | Ignition / Electrical (Model 73449 Only) | 43 |
| Battery Assembly | 19 | Blower Housing And Baffles (Model 73449 Only) | 44 |
| Fuel Tank Assembly | 20 | Starter (Model 73449 Only) | 45 |
| Hoodstand Electrical Mounting Assembly | 21 | Carburetor & Fuel Pump (Model 73449 Only) | 46 |
| Transmission 8-Speed 4 Pinion (Model 73429 Only) | 22 | Engine Controls (Model 73449 Only) | 47 |
| Transmission 8-Speed 4 Pinion (continued) | 23 | Air Intake / Filtration (Model 73449 Only) | 48 |
| (Model 73429 Only) | 23 | Exhaust (Model 73449 Only) | 49 |
| Transmission 8-Speed 8 Pinion (Model 73449 Only) | 24 | Maintenance | 50-51 |
| Transmission 8-Speed 8 Pinion (continued) | 25 | | |
| (Model 73449 Only) | 25 | | |
| Electrical Schematic (Model 73429 Only) | 26 | | |
| Electrical Schematic (Model 73449 Only) | 27 | | |

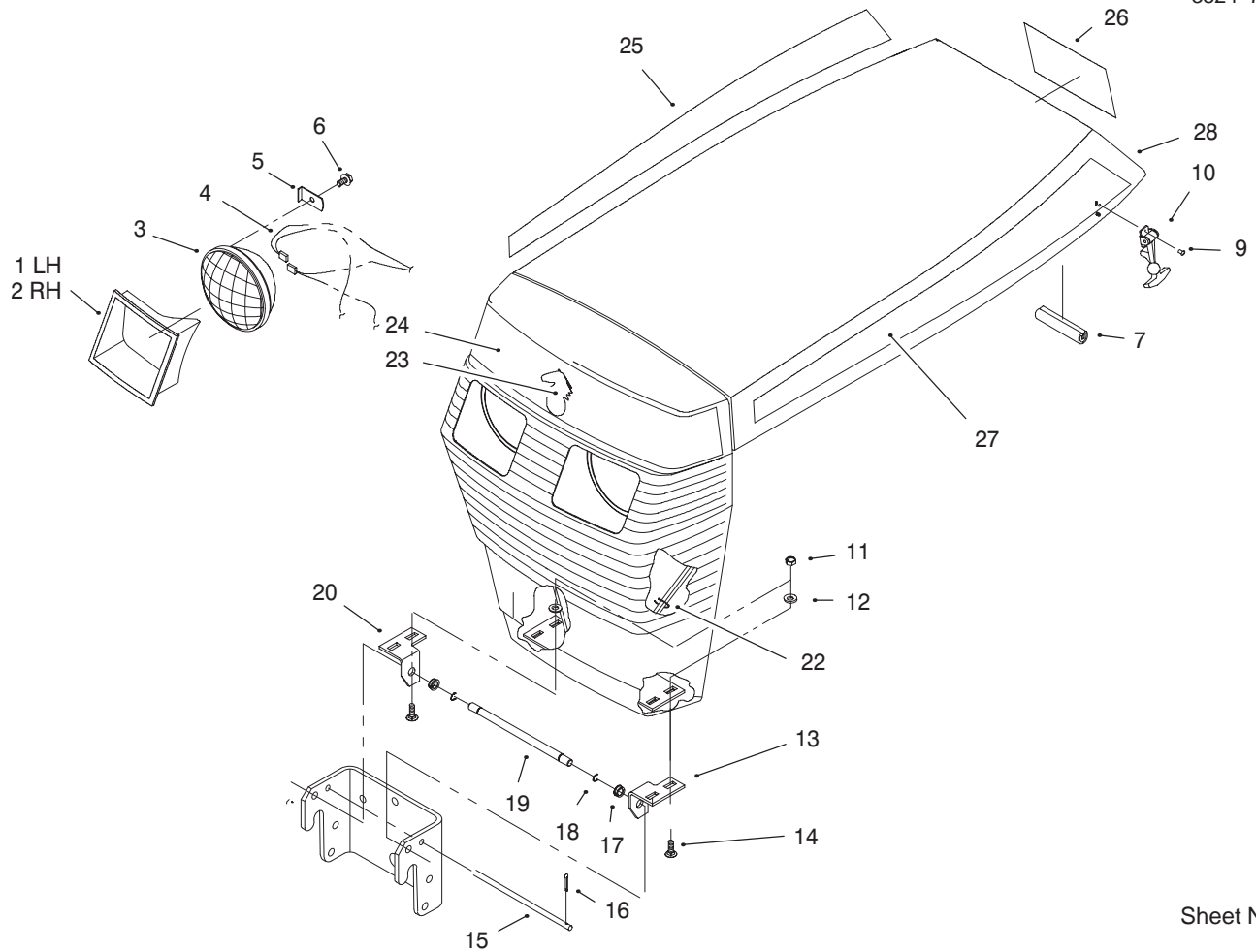
Accessories

| Description | Model / Part No. | Description | Model / Part No. |
|--|------------------|--|------------------|
| 36" Rear Discharge Mower | Model No. 78305 | 42" Rear Discharge Mower | Model No. 78350 |
| 37" Side Discharge Mower (Model No. 73429 Only) | Model No. 78315 | 42" Recycler Mower | Model No. 78355 |
| 42" Side Discharge Mower | Model No. 78345 | 48" Side Discharge Mower (Model No. 73429 Only) | Model No. 73361 |
| 48" Side Discharge Mower (Model No. 73449 Only) | Model No. 78361 | 48" Recycler Mower (Model No. 73449 Only) | Model No. 73365 |

Part Description Abbreviations

Part descriptions in this catalog may include the following abbreviations.

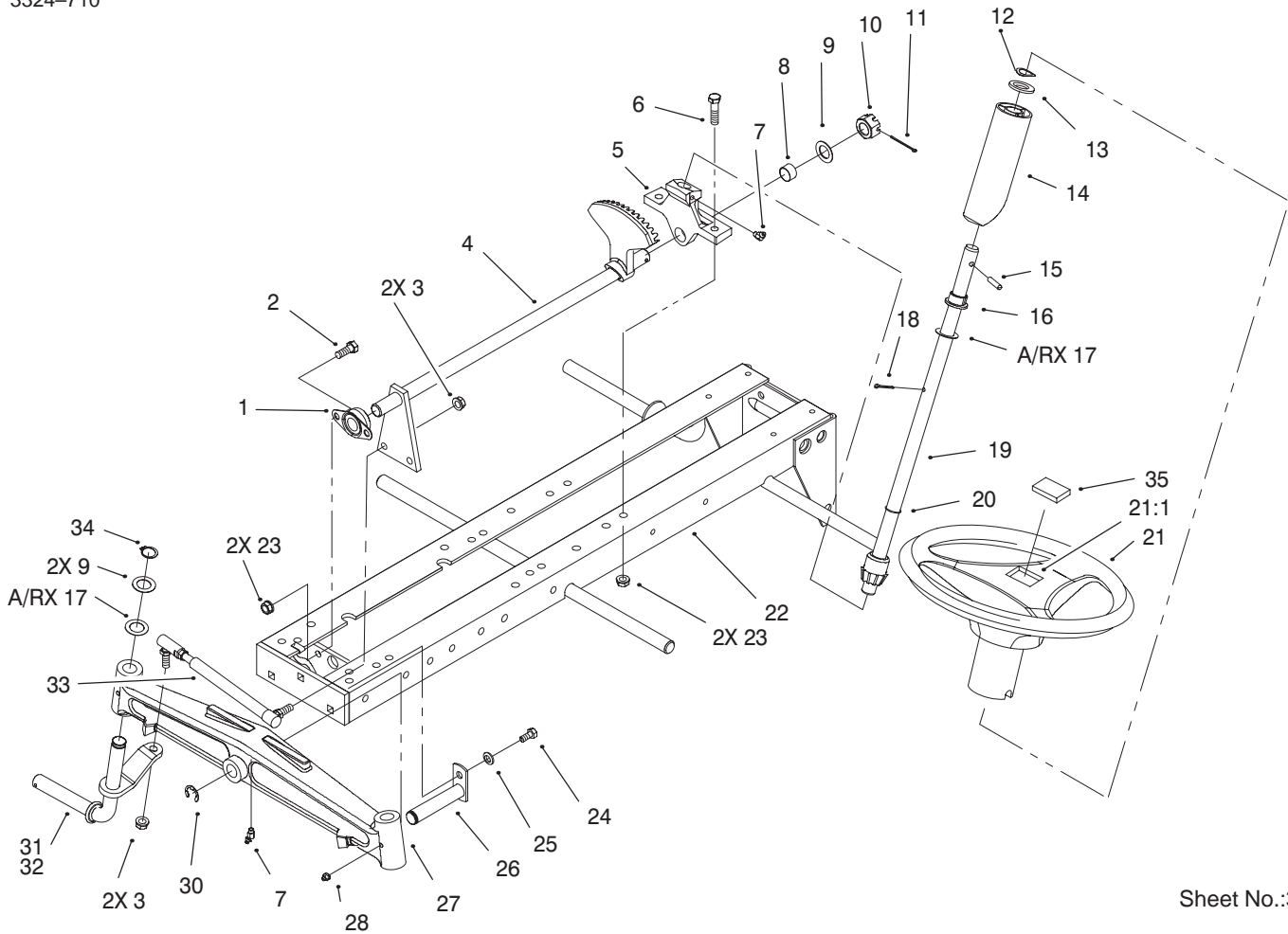
| Abbreviation | Meaning | Abbreviation | Meaning |
|--------------|--------------------------------|--------------|-------------------------|
| AR | as required | INC | incorporated |
| ASM | assembly | LH | left hand |
| CARR | carriage | NI | nylon insert |
| DEG | degrees | PPH | Phillips pan head |
| FH | flat head | PTH | Phillips truss head |
| GA | gauge | PTO | power take off |
| HF | hex flange | RH | right hand |
| HH | hex head | SFH | slotted fillister head |
| HHF | hex head flange | SHH | slotted hex head |
| HLH | hex lag head | SQH | square head |
| HJ | hex jam | SHWH | slotted hex washer head |
| HOC | height-of-cut | SPH | slotted pan head |
| HS | hex socket | SRH | slotted round head |
| HSBH | hex socket button head | STD | standard |
| HSFH | hex socket flat head | TAP | self tapping |
| HSH | hex socket head | TTH | Torx truss head |
| HWH | hex washer head | WH | wing head |
| HWHTF | hex washer head thread forming | | |



Sheet No.:2

Hood Assembly

| Ref. No. | Part No. | Qty. | Description | Ref. No. | Part No. | Qty. | Description |
|----------|----------|------|----------------------|----------|-----------|------|-------------|
| 1 | 109495 | 1 | Bezel-LH Headlight | 28 | 112358-01 | 1 | Hood |
| 2 | 109494 | 1 | Bezel-RH Headlight | | | | |
| 3 | 102881 | 2 | Headlamp Ge 4411-1 | | | | |
| 4 | 95-7679 | 1 | Harness - Headlight | | | | |
| 5 | 109459 | 2 | Lock-Headlight | | | | |
| 6 | 9266714 | 2 | Screw-HWH | | | | |
| 7 | 111757 | 1 | Edging-Console | | | | |
| 9 | 117432 | 4 | Rivet-Pop | | | | |
| 10 | 117344 | 2 | Handle ASM | | | | |
| 11 | 3296-42 | 4 | Nut-Lock, NI | | | | |
| 12 | 3256-22 | 4 | Washer-Flat | | | | |
| 13 | 116747 | 1 | Bracket-Grill L.h | | | | |
| 14 | 3229-25 | 4 | Screw-CARR | | | | |
| 15 | 101850 | 1 | Rod-Hood Stop | | | | |
| 16 | 3272-1 | 2 | Pin-Cotter | | | | |
| 17 | 5979 | 2 | Bushing-Nyliner | | | | |
| 18 | 105797 | 2 | Ring-Retaining | | | | |
| 19 | 116745 | 1 | Rod-Grill Pivot | | | | |
| 20 | 116746 | 1 | Bracket-Grill R.h | | | | |
| 22 | 3290-378 | 1 | Tie-Cable | | | | |
| 23 | 94-3736 | 1 | Logo - Horsehead | | | | |
| 24 | 92-9826 | 1 | Decal - Frt Hood Top | | | | |
| 25 | 92-9825 | 1 | Decal - RH Hood Top | | | | |
| 26 | 98-0750 | 1 | Decal - Danger Hood | | | | |
| 27 | 92-9824 | 1 | Decal - LH Hood Top | | | | |

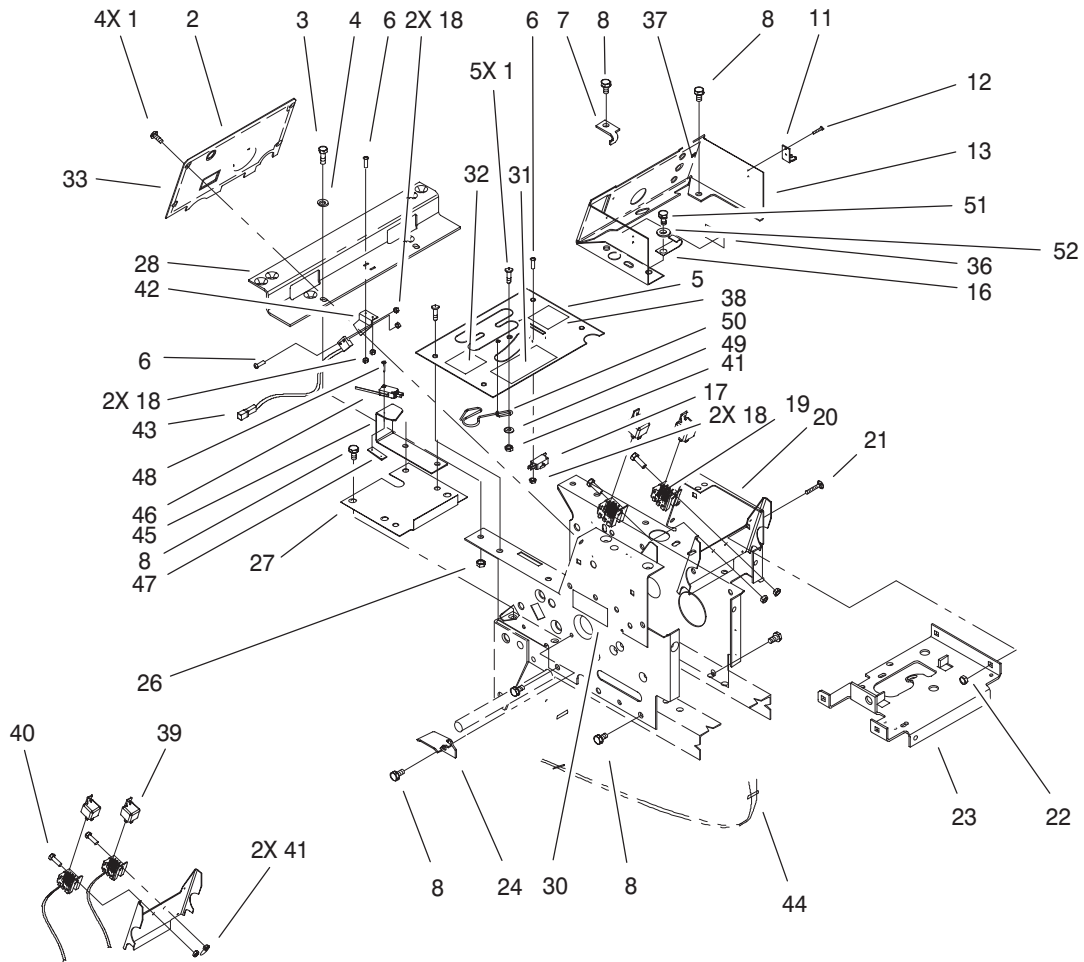


Sheet No.:3

Frame, Axle And Steering System

| Ref. No. | Part No. | Qty. | Description |
|----------|------------|------|--------------------------|
| 1 | 6472 | 1 | Bearing-Flanged |
| 2 | 323-6 | 2 | Screw-HH |
| 3 | 3296-6 | 4 | Nut-Lock, NI |
| 4 | 78-2880-03 | 1 | Lower Steering ASM |
| 5 | 88-2710-03 | 1 | Support-Lower Steering |
| 6 | 323-8 | 2 | Screw-HH |
| 7 | 302-11 | 2 | Fitting-Lube, 45° |
| 8 | 6397 | 1 | Bearing-Bronze |
| 9 | 1278 | 3 | Washer |
| 10 | 32136-5 | 1 | Nut-Slotted |
| 11 | 3272-19 | 1 | Pin-Cotter |
| 12 | 7896 | 1 | Washer-Bowed |
| 13 | 109262 | 2 | Washer-Wheel |
| 14 | 113443 | 1 | Tube-Steering |
| 15 | 32121-111 | 1 | Pin-Roll |
| 16 | 109189 | 1 | Bearing-Flanged |
| 17 | 5210 | 14 | Washer-Shim |
| 18 | 3272-21 | 1 | Pin-Cotter |
| 19 | 92-4987 | 1 | Steering Shaft ASM |
| 20 | 237-69 | 1 | O-Ring |
| 21 | 98-1473 | 1 | Wheel-Steering, 15" Soft |
| 21:1 | 98-1468 | 1 | Cover-Wheel, Steering |
| 22 | 94-6673-01 | 1 | Frame ASM |

| Ref. No. | Part No. | Qty. | Description |
|----------|------------|------|---------------------------------|
| 23 | 3296-39 | 4 | Nut-Lock, NI |
| 24 | 322-1 | 1 | Screw-HH |
| 25 | 3253-4 | 1 | Washer-Lock |
| 26 | 6216 | 1 | Pin & Plate ASM |
| 27 | 5638-01 | 1 | Axle-Front |
| 28 | 302-5 | 2 | Fitting-Grease |
| 30 | 5618 | 1 | E-Ring |
| 31 | 113379-01 | 1 | LH Spindle ASM (only on: 73429) |
| 31 | 113382-01 | 1 | RH Spindle ASM (only on: 73449) |
| 32 | 113380-01 | 1 | RH Spindle ASM (only on: 73429) |
| 32 | 113381-01 | 1 | LH Spindle ASM (only on: 73449) |
| 33 | 78-2900-01 | 2 | Tie Rod ASM |
| 34 | 32120-93 | 2 | Ring-Retaining |
| 35 | 98-1459 | 1 | Decal-Toro |

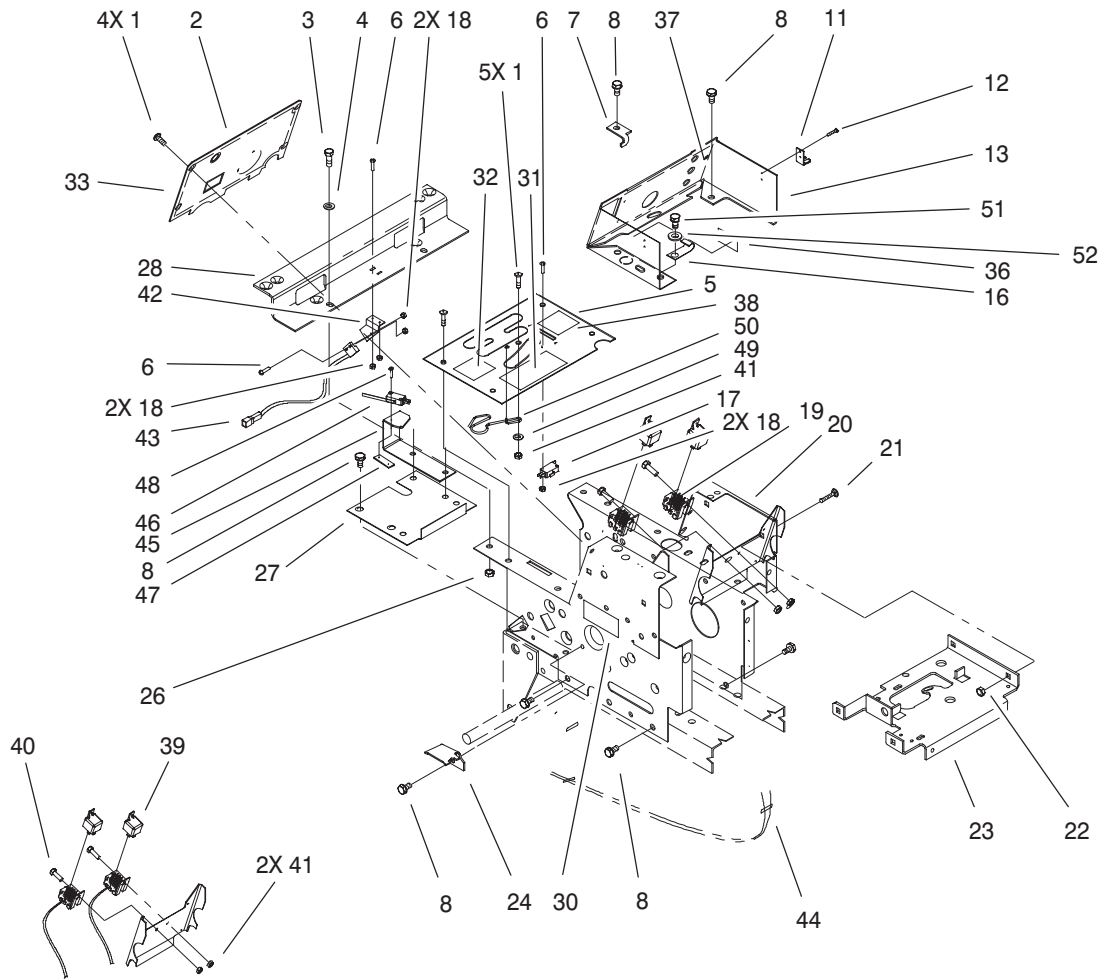


Sheet No.:4

Hoodstand, Console Assembly

| Ref. No. | Part No. | Qty. | Description |
|----------|------------|------|--|
| 1 | 9108372 | 9 | Screw-Phc |
| 2 | 95-7674-03 | 1 | Plate-Hoodstand (only on: 73429) |
| 2 | 95-7675-03 | 1 | Plate-Hoodstand (only on: 73449) |
| 3 | 322-5 | 2 | Screw-HH |
| 4 | 3256-23 | 2 | Washer-Flat |
| 5 | 99-8026-03 | 1 | Plate-Shift |
| 6 | 9109484 | 6 | Screw-Pchr |
| 7 | 112415 | 1 | Stop-PTO |
| 8 | 32144-14 | 10 | Screw-HWH |
| 11 | 117343 | 2 | Keeper-Latch |
| 12 | 117432 | 4 | Rivet-Pop (only on: 73429) |
| 13 | 99-3669-03 | 1 | Console (only on: 73429) |
| 13 | 95-7670-03 | 1 | Console (only on: 73449) |
| 16 | 111392 | 1 | J-Clip |
| 17 | 111332 | 1 | Switch |
| 18 | 9157324 | 6 | Nut-Hex |
| 19 | 107069 | 4 | Clip |
| 20 | 95-7676-03 | 1 | Hoodstand ASM |
| 21 | 116000 | 4 | Bolt-CARR |
| 22 | 3296-29 | 4 | Nut-Lock |

| Ref. No. | Part No. | Qty. | Description |
|----------|------------|------|---|
| 23 | 78-3010-03 | 1 | Suport-Battery |
| 24 | 88-2170-03 | 1 | Brket-Blt Spt |
| 26 | 3296-29 | 2 | Nut-Lock |
| 27 | 106250-03 | 1 | Cover-Dust |
| 28 | 95-7665-03 | 1 | Bracket-Fender |
| 30 | 92-9829 | 2 | Decal - Model 314-8 (only on: 73449) |
| 30 | 92-9828 | 2 | Decal - Model 312-8 (only on: 73429) |
| 31 | 92-8946 | 1 | Decal - Danger |
| 32 | 111534 | 1 | Decal Shift Pattern |
| 33 | 98-0674 | 1 | Decal - Dash, Lower (only on: 73429) |
| 33 | 98-0675 | 1 | Decal - Dash, Lower (only on: 73449) |
| 36 | 111926 | 1 | Decal Elect System |
| 37 | 99-5341 | 1 | Decal-Console (only on: 73449) |
| 37 | 99-5342 | 1 | Decal-Console (only on: 73429) |
| 38 | 111510 | 1 | Decal-Parking-Brake |
| 39 | 98-7249 | 2 | Relay |
| 40 | 3234-33 | 2 | Screw-HHF |
| 41 | 3296-42 | 3 | Nut-Lock, NI |
| 42 | 95-7666 | 1 | Brkt-Switch, Reed |

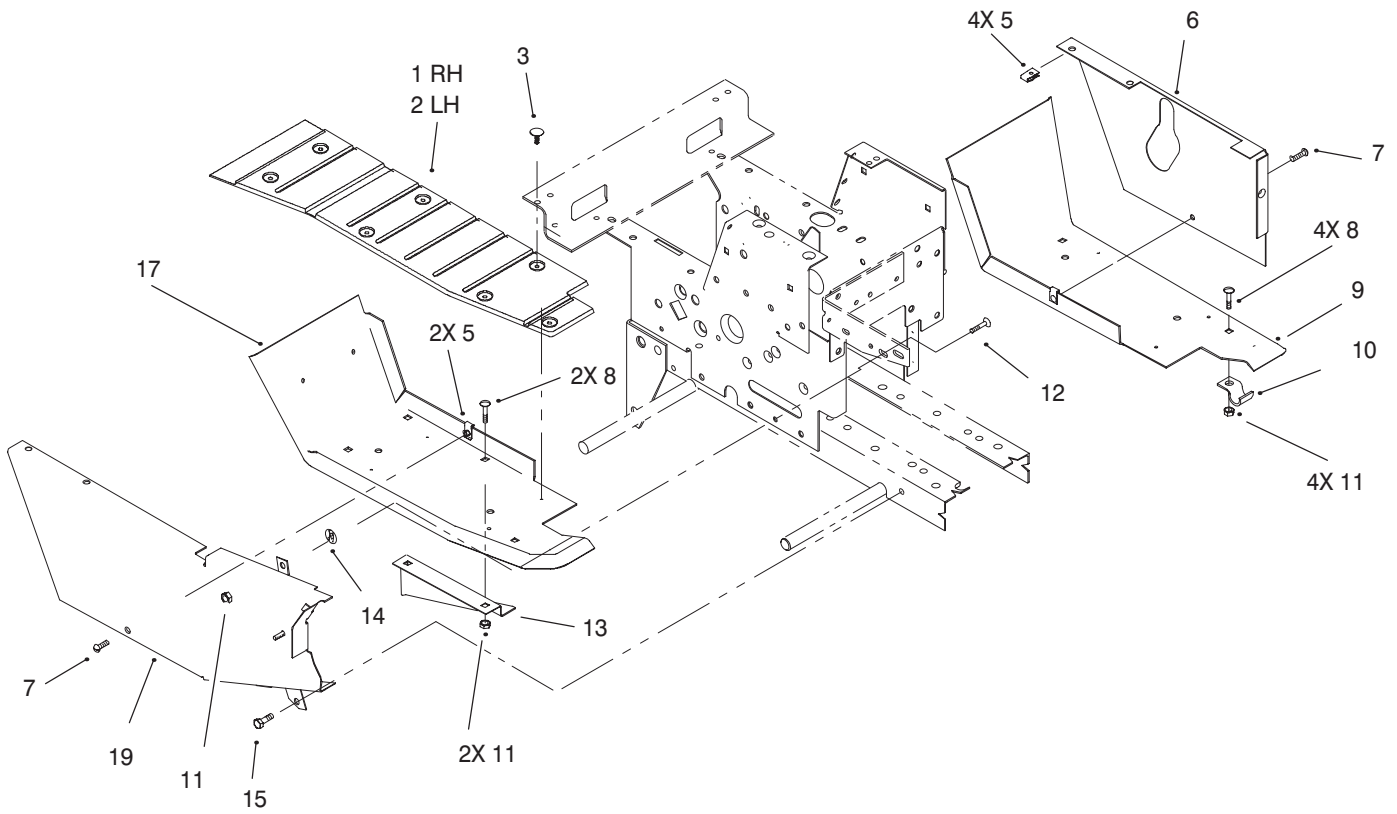


Sheet No.:4

Hoodstand, Console Assembly (continued)

| Ref. No. | Part No. | Qty. | Description |
|----------|------------|------|-------------------------|
| 43 | 95-7669 | 1 | Switch-, Reed, Magnetic |
| 44 | 3290-378 | 2 | Tie-Cable |
| 45 | 99-8049-03 | 1 | Bracket-Switch, Reverse |
| 46 | 88-9931 | 1 | Switch-Micro |
| 47 | 3290-354 | 1 | Nut-Speed |
| 48 | 147665 | 2 | Screw-HH |
| 49 | 3256-22 | 1 | Washer-Flat |
| 50 | 99-8028 | 1 | Spring-Shift Control |
| 51 | 9266974 | 1 | Screw-Thr'd Form |
| 52 | 3256-4 | 1 | Washer-Flat |

| Ref. No. | Part No. | Qty. | Description |
|----------|----------|------|-------------|
| | | | |
| | | | |
| | | | |
| | | | |
| | | | |
| | | | |
| | | | |
| | | | |
| | | | |
| | | | |

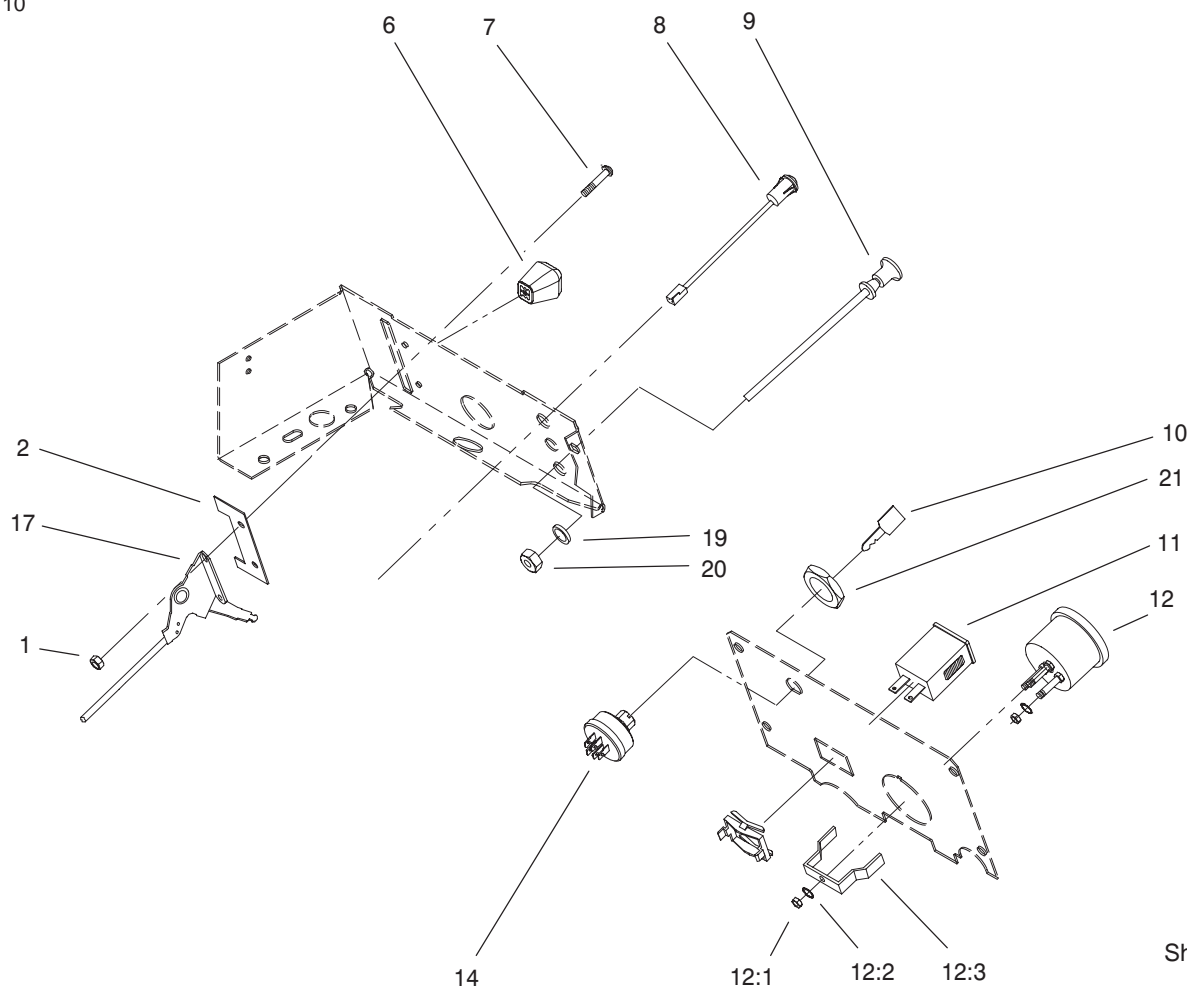


Sheet No.:5

Footrest And Hoodstand Side Covers Assembly

| Ref. No. | Part No. | Qty. | Description |
|----------|------------|------|--------------------------|
| 1 | 94-3710 | 1 | Pad – Foot |
| 2 | 94-3712 | 1 | Pad – Foot |
| 3 | 3290-479 | 16 | Fastener–Panel |
| 5 | 107069 | 6 | Clip |
| 6 | 113935-01 | 1 | Cover–L.h. |
| 7 | 9108372 | 2 | Screw–Phc |
| 8 | 116000 | 6 | Bolt–CARR |
| 9 | 94-3522-01 | 1 | Footrest–LH |
| 10 | 7456 | 4 | Bracket |
| 11 | 3296-29 | 7 | Nut–Lock |
| 12 | 3230-1 | 1 | Screw–CARR |
| 13 | 106352-01 | 1 | Guide–Lower Bit |
| 14 | 108457 | 1 | Nut–Push |
| 15 | 32144-14 | 1 | Screw–HWH |
| 17 | 94-3521-01 | 1 | Footrest–RH |
| 19 | 95-7695-01 | 1 | Single Belt Guard ASM |

| Ref. No. | Part No. | Qty. | Description |
|----------|----------|------|-------------|
| | | | |
| | | | |
| | | | |
| | | | |
| | | | |
| | | | |
| | | | |
| | | | |
| | | | |
| | | | |

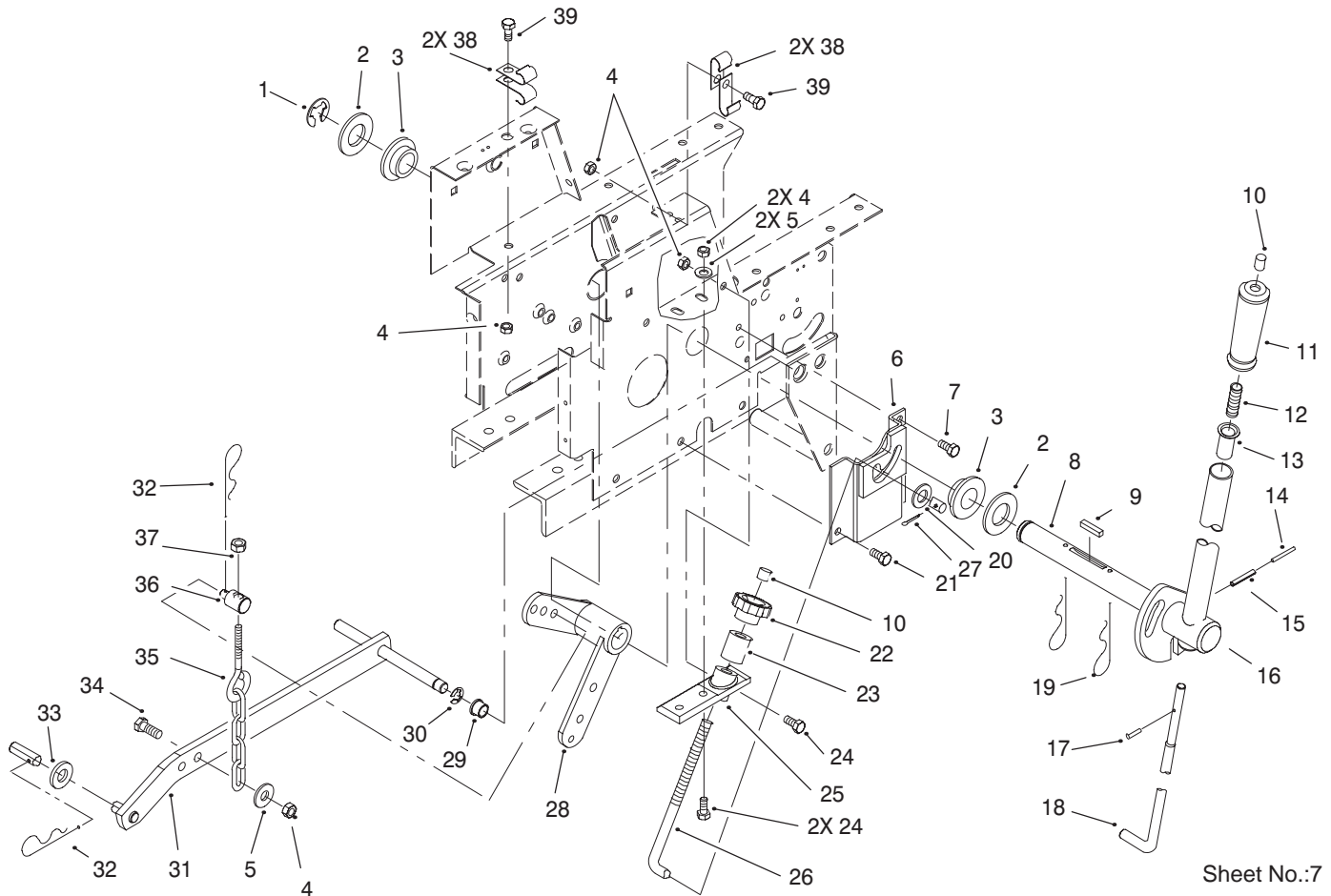


Sheet No.:6

Gauges, Warning Lights And Controls Assembly

| Ref. No. | Part No. | Qty. | Description |
|----------|-----------|------|------------------------------------|
| 1 | 3296-2 | 2 | Nut-Lock |
| 2 | 120590-03 | 1 | Stop-Throttle |
| 6 | 66-0120 | 1 | Knob |
| 7 | 9107922 | 2 | Scrw-Phcr |
| 8 | 95-7652 | 3 | Light - Indicator (only on: 73449) |
| 8 | 95-7652 | 1 | Light - Indicator (only on: 73429) |
| 9 | 95-7656 | 1 | Choke Control ASM |
| 10 | 62-7770 | 1 | Key-Ignition |
| 11 | 94-4208 | 1 | Hourmeter |
| 12 | 79-0060 | 1 | Voltmeter (only on: 73449) |
| 12:1 | 3217-27 | 1 | Nut-Hex (only on: 73449) |
| 12:2 | 3255-25 | 1 | Washer-Lock (only on: 73449) |
| 12:3 | 78-0080 | 1 | Clamp-Mounting (only on: 73449) |
| 14 | 92-6785 | 1 | Switch - Ignition |
| 17 | 95-7657 | 1 | Throttle Control ASM |
| 19 | 3256-37 | 1 | Washer-Flat |
| 20 | 109530 | 1 | Nut-Hex Palnut |
| 21 | 700919 | 1 | Nut |

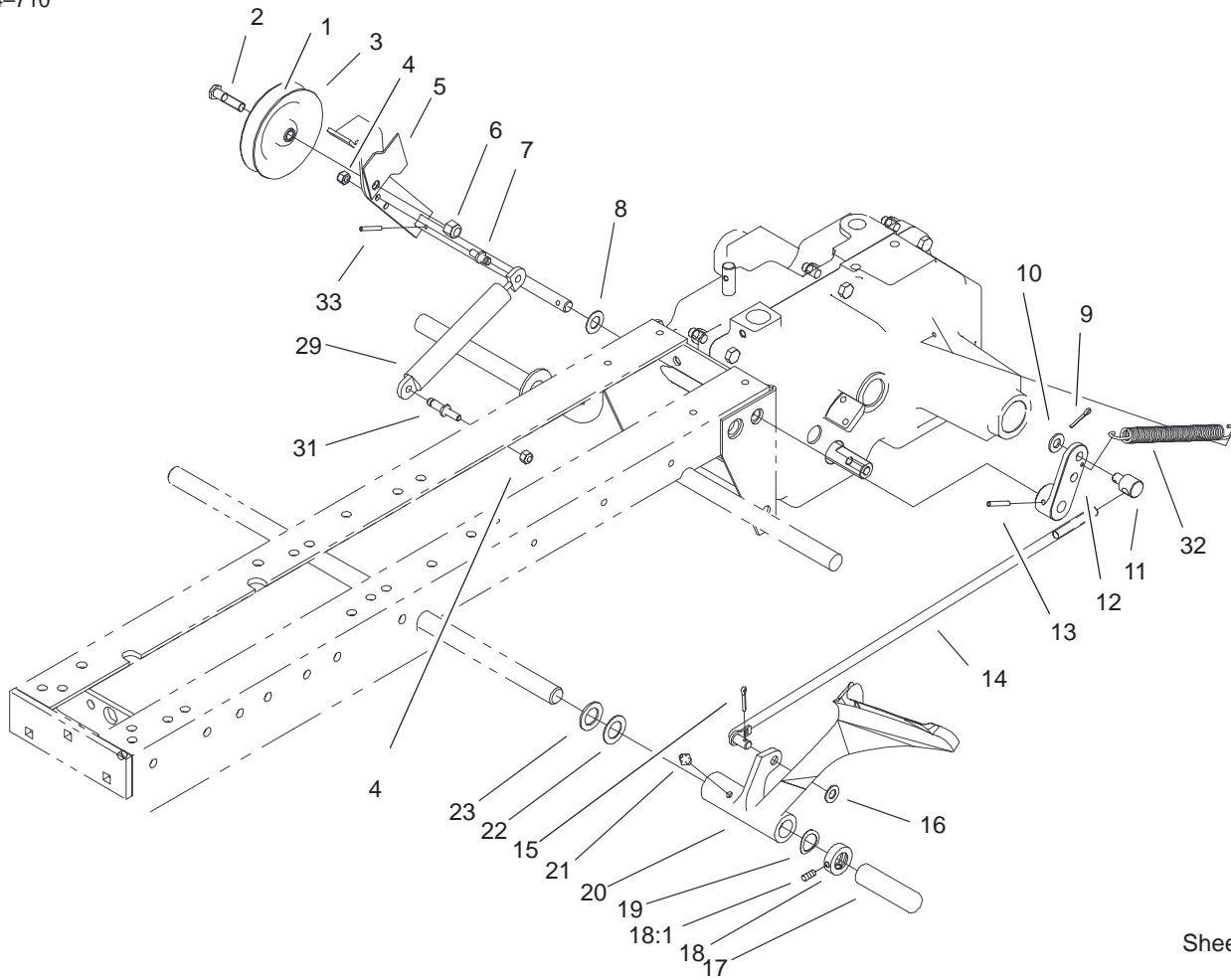
| Ref. No. | Part No. | Qty. | Description |
|----------|----------|------|-------------|
| | | | |
| | | | |
| | | | |
| | | | |
| | | | |
| | | | |
| | | | |
| | | | |
| | | | |
| | | | |
| | | | |
| | | | |
| | | | |
| | | | |
| | | | |
| | | | |
| | | | |
| | | | |
| | | | |
| | | | |
| | | | |
| | | | |



Manual Lift System Assembly

| Ref. No. | Part No. | Qty. | Description |
|----------|-----------|------|--------------------|
| 1 | 32151-91 | 1 | Ring-Retaining |
| 2 | 3256-62 | 2 | Washer-Flat |
| 3 | 106269 | 2 | Bearing-Flange |
| 4 | 3296-29 | 6 | Nut-Lock |
| 5 | 3256-23 | 3 | Washer-Flat |
| 6 | 106411-03 | 1 | Lift Lever ASM |
| 7 | 32144-14 | 1 | Screw-HWH |
| 8 | 108565 | 1 | Shaft-Lift Lever |
| 9 | 1121 | 1 | Key-Square |
| 10 | 105316 | 2 | Cap-Plunger Rod |
| 11 | 92-6710 | 1 | Grip - Handle |
| 12 | 3624 | 1 | Spring-Compression |
| 13 | 8130 | 1 | Retainer-Spring |
| 14 | 32121-103 | 1 | Pin-Spring |
| 15 | 32121-25 | 1 | Pin-Roll |
| 16 | 108563-03 | 1 | Lift Handle ASM |
| 17 | 933148 | 1 | Pin-Spirol |
| 18 | 106257 | 1 | Rod-Latch Lift Le |
| 19 | 9335074 | 2 | Pin-Hair |
| 20 | 3256-5 | 1 | Washer-Flat |
| 21 | 9266974 | 2 | Screw-Thr'd Form |
| 22 | 5280 | 1 | Knob-Lift Control |
| 23 | 106258-03 | 1 | Slev-Lift Adjs |
| 24 | 322-5 | 3 | Screw-HH |
| 25 | 106345-03 | 1 | Casting-Lift Leve |
| 26 | 110653 | 1 | Rod-Height Control |

| Ref. No. | Part No. | Qty. | Description |
|----------|-----------|------|----------------|
| 27 | 3272-10 | 1 | Pin-Cotter |
| 28 | 78-1550 | 1 | Lift Lever ASM |
| 29 | 6229 | 1 | Bearing |
| 30 | 32120-47 | 1 | Ring-Retaining |
| 31 | 113445-03 | 1 | Lift Bar ASM |
| 32 | 9335054 | 2 | Pin-Hair |
| 33 | 3256-26 | 1 | Washer-Flat |
| 34 | 322-6 | 1 | Screw-HH |
| 35 | 106522 | 1 | Chain-Lift |
| 36 | 6739 | 1 | Stud-Lift |
| 37 | 3296-39 | 1 | Nut-Lock, NI |
| 38 | 8830 | 4 | Clip |
| 39 | 322-2 | 2 | Screw-HH |

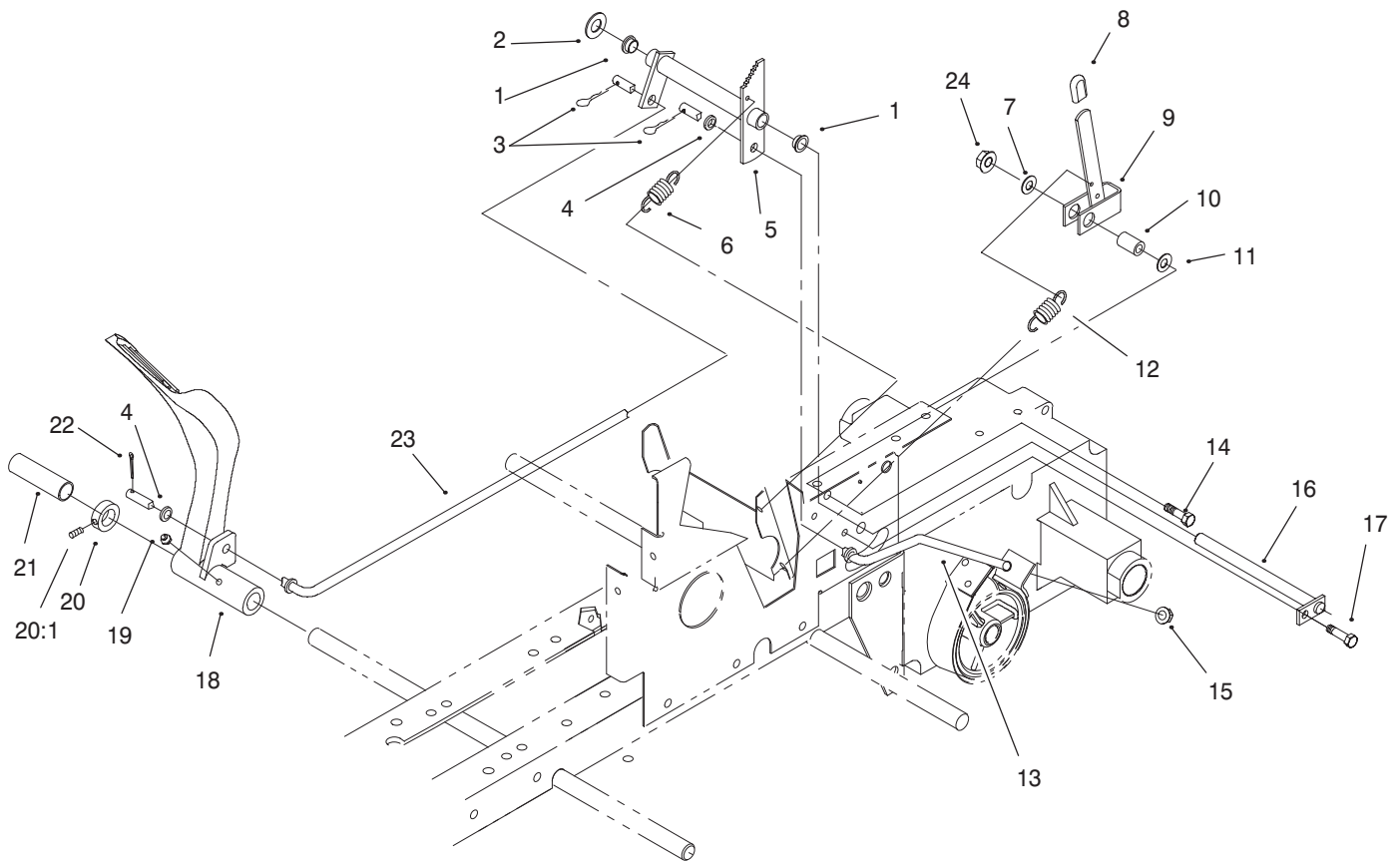


Sheet No.:8

Clutch System Assembly

| Ref. No. | Part No. | Qty. | Description |
|----------|------------|------|------------------------|
| 1 | 93-9808 | 1 | Belt - V |
| 2 | 106193 | 1 | Bolt-Special Hex |
| 3 | 95-7668 | 1 | Pulley - V, Idler |
| 4 | 3296-42 | 2 | Nut-Lock, NI |
| 5 | 98-1746 | 1 | Idlr Arm ASM |
| 6 | 32146-2 | 1 | Nut-Lock, NI |
| 7 | 104-5093 | 1 | Pin-Damper, Clutch Arm |
| 8 | 3765 | 1 | Shim-Washer |
| 9 | 3272-6 | 1 | Pin-Cotter |
| 10 | 3256-24 | 1 | Washer-Flat |
| 11 | 101161 | 1 | Trunion |
| 12 | 105896-03 | 1 | Arm-Clutch Rod |
| 13 | 933190 | 1 | Pin-Spirol |
| 14 | 103347 | 1 | Rod & Guide ASM |
| 15 | 3272-10 | 1 | Pin-Cotter |
| 16 | 920248 | 1 | Washer-Nylon |
| 17 | 94-6683 | 1 | Sleeve - Protective |
| 18 | 111383 | 1 | Collar |
| 18:1 | 3245-32 | 1 | Screw-HS |
| 19 | 7896 | 1 | Washer-Bowed |
| 20 | 94-3703-01 | 1 | Pedal-Brake, Clutch |
| 21 | 302-5 | 1 | Fitting-Grease |
| 22 | 1278 | 1 | Washer |
| 23 | 9202254 | 1 | Washer |
| 29 | 100-8732 | 1 | Damper-Gas |

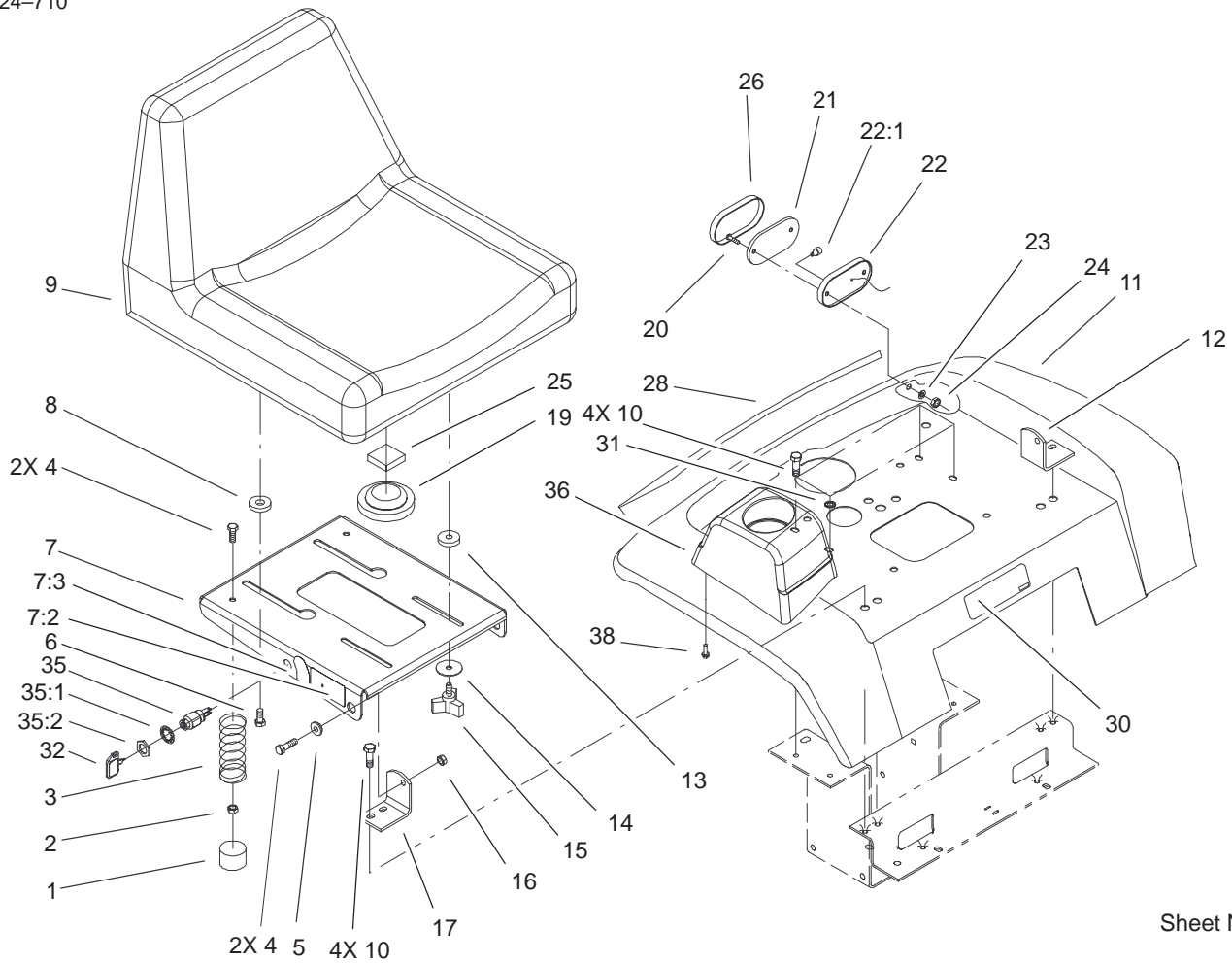
| Ref. No. | Part No. | Qty. | Description |
|----------|----------|------|---------------------------|
| 31 | 104-5094 | 1 | Pin-Damper, Classic Frame |
| 32 | 108035 | 1 | Spring-Clutch |
| 33 | 933267 | 1 | Pin-Spirol |



Sheet No.:9

Brake System Assembly

| Ref. No. | Part No. | Qty. | Description | Ref. No. | Part No. | Qty. | Description |
|----------|------------|------|---------------------|----------|----------|------|-------------|
| 1 | 7879 | 2 | Bushing-Flanged | | | | |
| 2 | 3256-26 | 1 | Washer-Flat | | | | |
| 3 | 9335054 | 2 | Pin-Hair | | | | |
| 4 | 920248 | 2 | Washer-Nylon | | | | |
| 5 | 103543-03 | 1 | Belcrank ASM | | | | |
| 6 | 103628 | 1 | Spring-Extension | | | | |
| 7 | 3256-24 | 1 | Washer-Flat | | | | |
| 8 | 6820 | 1 | Grip | | | | |
| 9 | 106451-03 | 1 | Brake Lever ASM | | | | |
| 10 | 102025 | 1 | Spacer | | | | |
| 11 | 3256-24 | 1 | Washer-Flat | | | | |
| 12 | 107677 | 1 | Spring-Brake | | | | |
| 13 | 105900 | 1 | Rod-Rear Brake | | | | |
| 14 | 323-9 | 1 | Screw-HH | | | | |
| 15 | 3296-39 | 1 | Nut-Lock, NI | | | | |
| 16 | 106417 | 1 | Rod ASM | | | | |
| 17 | 32144-14 | 1 | Screw-HWH | | | | |
| 18 | 94-3706-01 | 1 | Pedal-Brake, Gear | | | | |
| 19 | 302-5 | 1 | Fitting-Grease | | | | |
| 20 | 111383 | 1 | Collar | | | | |
| 20:1 | 3245-32 | 1 | Screw-HS | | | | |
| 21 | 94-6683 | 1 | Sleeve - Protective | | | | |
| 22 | 3272-10 | 1 | Pin-Cotter | | | | |
| 23 | 92-6849 | 1 | Rod - Brake | | | | |
| 24 | 3296-39 | 1 | Nut-Lock, NI | | | | |

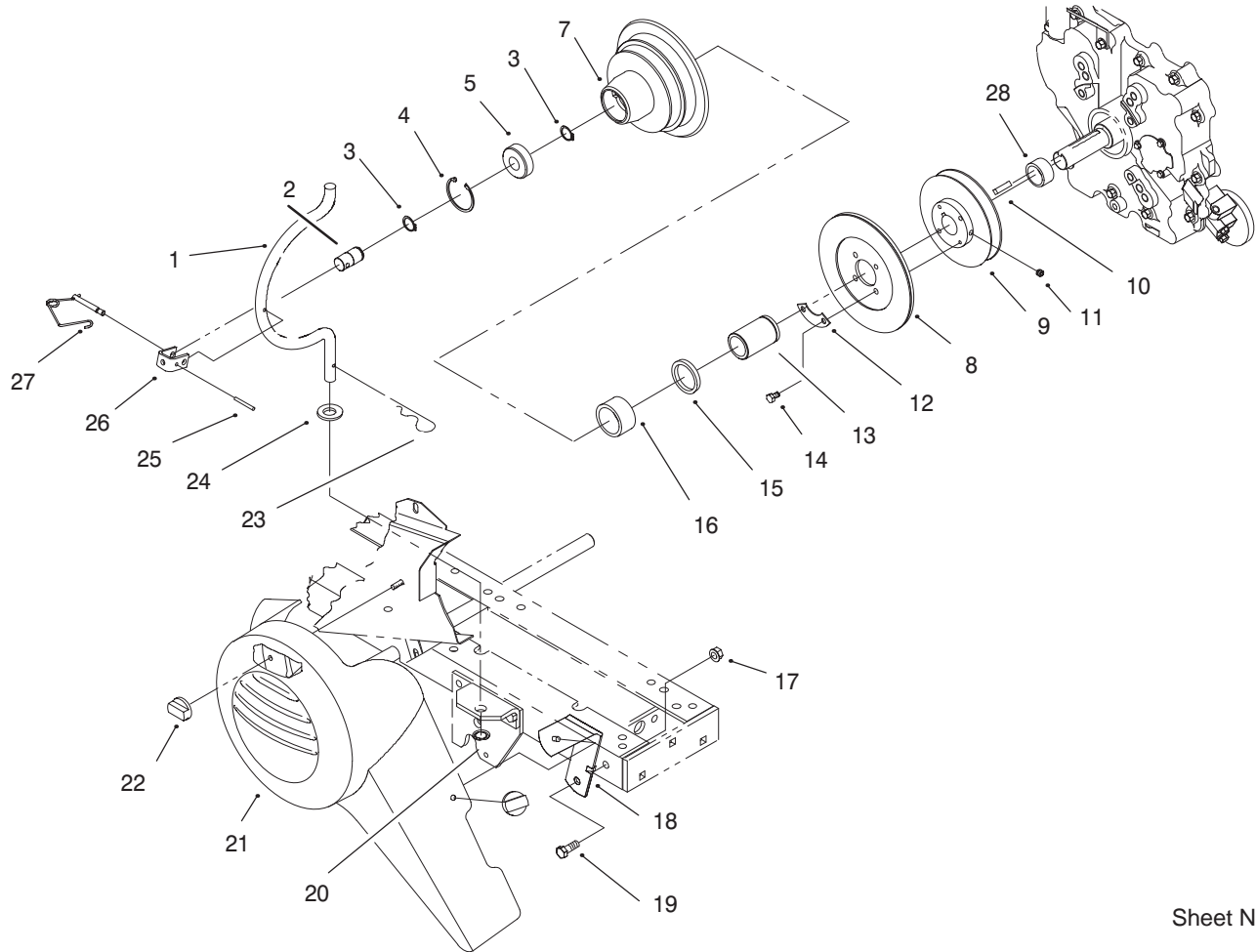


Sheet No.:10

Fender , Seat And Tail Lights/Reflectors Assembly

| Ref. No. | Part No. | Qty. | Description |
|----------|-------------|------|------------------------------------|
| 1 | 701178 | 2 | Cap-Protector |
| 2 | 3296-58 | 2 | Nut-Lock NI |
| 3 | 92-7054 | 2 | Spring - Compression |
| 4 | 322-4 | 4 | Screw-HH |
| 5 | 105503 | 2 | Bushing |
| 6 | 92-6986 | 2 | Bolt - Shoulder |
| 7 | 104-5027 | 1 | Support Seat ASM |
| 7:2 | 99-2985 | 1 | Decal-Danger |
| 7:3 | 99-5339 | 1 | Decal |
| 8 | 92-6750 | 2 | Spacer - Nylon |
| 9 | 104-2463 | 1 | Seat-High Back |
| 10 | 32144-14 | 8 | Screw-HWH |
| 11 | 104-5077-01 | 1 | Fender |
| 12 | 79-0970-03 | 1 | Bracket-Pivot LH |
| 13 | 109989 | 2 | Spacer-Nylon |
| 14 | 94-2869 | 2 | Washer |
| 15 | 700806 | 2 | Knob |
| 16 | 3296-29 | 2 | Nut-Lock |
| 17 | 79-0950-03 | 1 | Bracket-Pivot, RH |
| 19 | 100-3524 | 1 | Switch-Seat |
| 20 | 3250-31 | 4 | Screw-PPH |
| 21 | 108547 | 2 | Reflector (only on: 73429) |
| 22 | 105202 | 2 | Base-Taillight (only on: 73449) |
| 22:1 | 109045 | 2 | Bulb (only on: 73449) |

| Ref. No. | Part No. | Qty. | Description |
|----------|----------|------|-------------------------------------|
| 23 | 3254-1 | 4 | Washer-Lock/Int (only on: 73449) |
| 24 | 3296-27 | 4 | Nut-Lock NI |
| 25 | 104-2488 | 1 | Foam-Switch, Seat |
| 26 | 112564 | 2 | Lens-Tail Light (only on: 73449) |
| 28 | 92-9827 | 1 | Decal - Rear Fender |
| 30 | 76-1340 | 1 | Decal - USA |
| 31 | 3255-8 | 1 | Washer-Lock/Ext (only on: 73449) |
| 32 | 62-7770 | 1 | Key-Ignition |
| 35 | 46-5780 | 1 | Switch-Starter |
| 35:1 | 3254-5 | 1 | Washer-Lock, Internal |
| 35:2 | 218-461 | 1 | Nut-HH |
| 36 | 104-0838 | 1 | Holder-Cup |
| 38 | 32144-20 | 4 | Screw-Thread Forming |

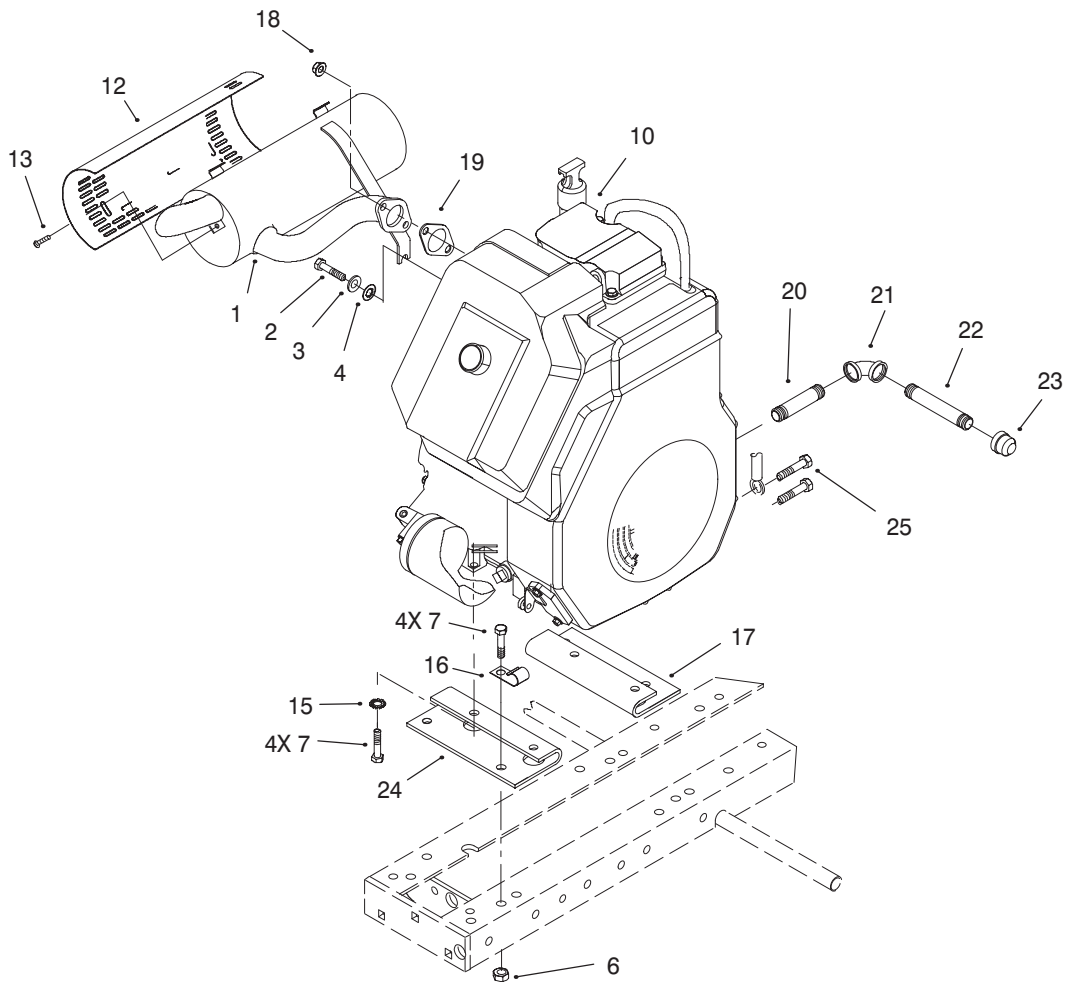


Sheet No.:11

PTO Clutch And Cover Assembly

| Ref. No. | Part No. | Qty. | Description |
|----------|------------|------|----------------------|
| 1 | 113108 | 1 | Rod-Housing |
| 2 | 102872 | 1 | Shaft-PTO |
| 3 | 32120-72 | 2 | Ring-Snap |
| 4 | 32120-62 | 1 | Ring-Retaining |
| 5 | 109842 | 1 | Bearing-Ball |
| 7 | 103478-01 | 1 | Housing-Clutch |
| 8 | 94-6650 | 1 | Ass'y-Clutch Plate |
| 9 | 7466 | 1 | Pulley |
| 10 | 105453 | 1 | Key |
| 11 | 3246-2 | 2 | Setscrew-HSH |
| 12 | 6659 | 2 | Retainer |
| 13 | 6658 | 1 | Race-Bearing |
| 14 | 9080026 | 4 | Screw-Hex Hd Cap |
| 15 | 6663 | 1 | Seal-Oil |
| 16 | 6662 | 1 | Bearing-Needle |
| 17 | 32128-40 | 1 | Nut-Flange |
| 18 | 94-3726-03 | 1 | Belt Cover Brkt ASM |
| 19 | 323-6 | 1 | Screw-HH |
| 20 | 106695 | 1 | Ring-Reinforced Circ |
| 21 | 94-3704 | 1 | Guard - Belt |
| 22 | 94-3735 | 2 | Nut - Wing |
| 23 | 9335064 | 1 | Pin-Hair Cotter |
| 24 | 3256-27 | 1 | Washer-Flat |
| 25 | 933274 | 1 | Pin |
| 26 | 113107 | 1 | Clevis |

| Ref. No. | Part No. | Qty. | Description |
|----------|----------|------|-------------------|
| 27 | 111314 | 1 | Locking Pin ASM |
| 28 | 100-3549 | 1 | Spacer-Crankshaft |

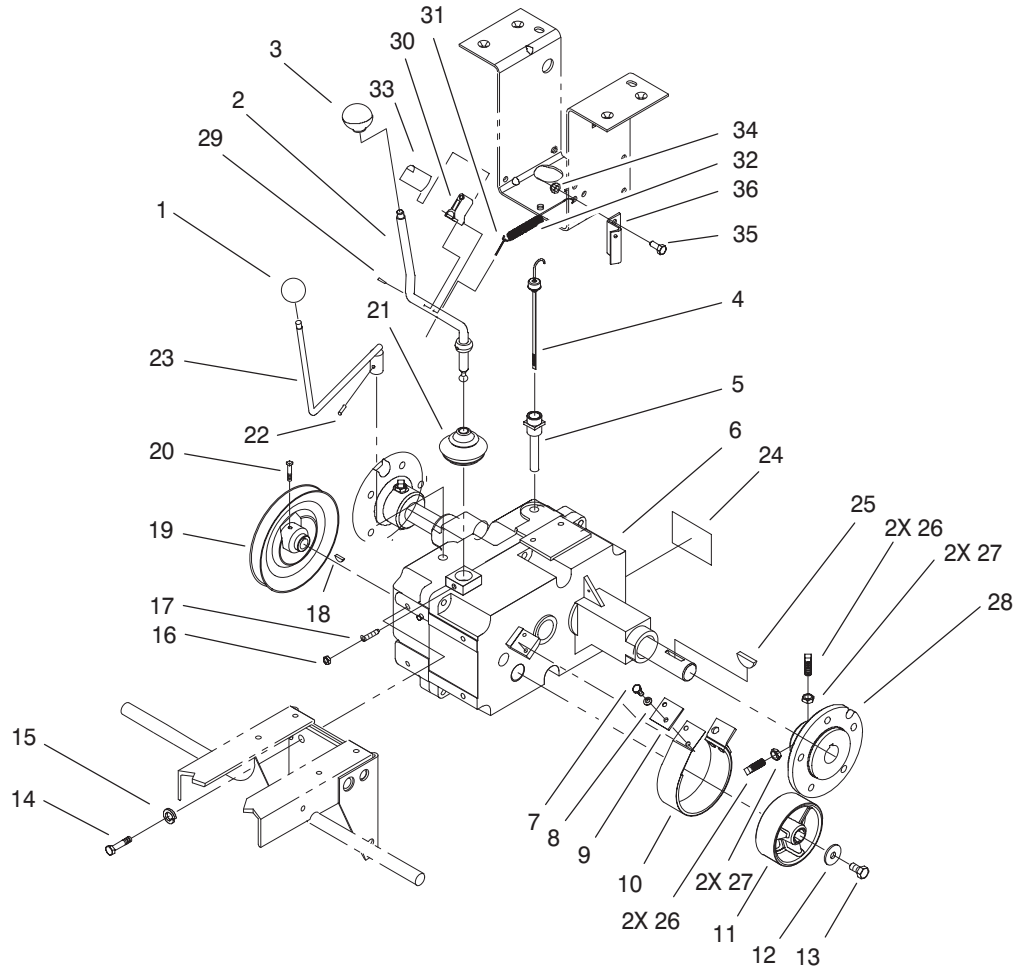


Sheet No.:13

Engine Assembly

| Ref. No. | Part No. | Qty. | Description |
|----------|------------|------|---|
| 1 | 95-7662 | 1 | Muffler |
| 2 | 24 086 45 | 1 | Screw-HHF |
| 3 | 3253-4 | 1 | Washer-Lock |
| 4 | 3256-23 | 1 | Washer-Flat |
| 6 | 3296-39 | 4 | Nut-Lock, NI |
| 7 | 323-6 | 8 | Screw-HH |
| 10 | 95-7680 | 1 | Engine - 12 HP, Kohler Model Ch12.5-Ps-1935 (only on: 73429) |
| 10 | 95-7681 | 1 | Engine - 14 HP, Kohler Model Ch14-Ps-1838 (only on: 73449) |
| 12 | 94-3738 | 1 | Shield - Heat |
| 13 | 9103312 | 4 | Screw |
| 15 | 3255-9 | 4 | Washer-Lock/Ext |
| 16 | 8830 | 1 | Clip |
| 17 | 98-1730-03 | 1 | Brkt-Eng Mtg, Rear |
| 18 | 92-6780 | 2 | Nut-HF |
| 19 | 92-6716 | 1 | Gasket-Exhaust |
| 20 | 289-51 | 1 | Nipple |
| 21 | 2811-16 | 1 | Elbow-90 Degree |
| 22 | 289-45 | 1 | Nipple-Pipe |
| 23 | 288-4 | 1 | Cap-Pipe |

| Ref. No. | Part No. | Qty. | Description |
|----------|------------|------|---------------------|
| 24 | 98-1731-03 | 1 | Brkt-Eng Mtg, Front |
| 25 | M-0839070 | 2 | Screw-HHF |

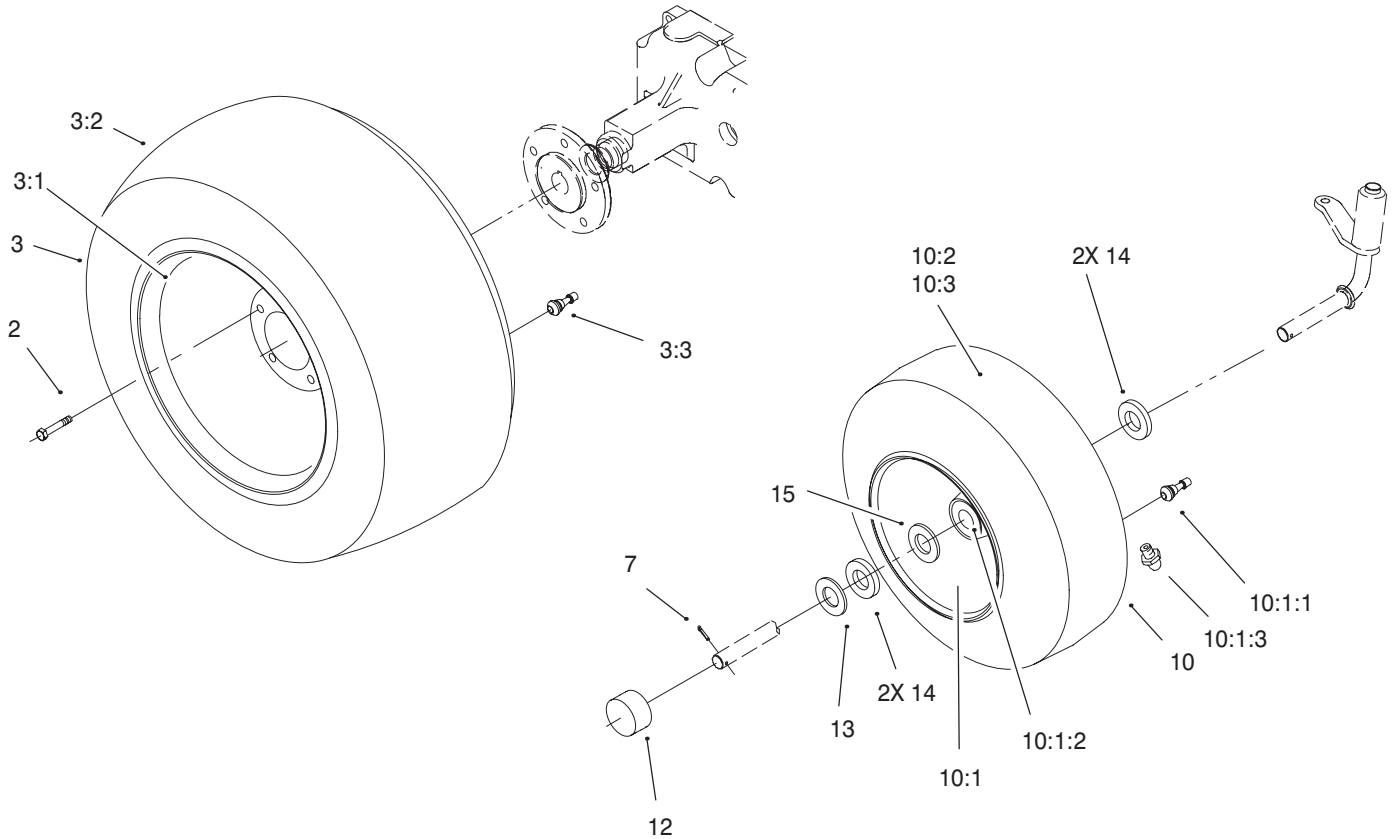


Sheet No.:14

Transaxle Assembly

| Ref. No. | Part No. | Qty. | Description |
|----------|------------|------|---|
| 1 | 83-2710 | 1 | Knob |
| 2 | 95-7684 | 1 | Shift Rod ASM |
| 3 | 108758 | 1 | Knob |
| 4 | 101847-03 | 1 | Dipstick |
| 5 | 102703 | 1 | Nipple-Trans |
| 6 | 94-6670 | 1 | Transmission ASM 8 Spd 4 (only on: 73429) |
| 6 | 94-6671 | 1 | Transmission ASM 8 Spd 8 (only on: 73449) |
| 7 | 321-3 | 2 | Screw-HH |
| 8 | 3253-3 | 2 | Washer-Lock |
| 9 | 94-6696-03 | 1 | Plate-Brake |
| 10 | 9593 | 1 | Brake Band Assy |
| 11 | 106719 | 1 | Drum-Brake |
| 12 | 2844 | 1 | Washer |
| 13 | 110234 | 1 | Screw-Hex Hd Cap |
| 14 | 323-5 | 4 | Screw-HH |
| 15 | 3253-21 | 4 | Washer-Lock |
| 16 | 3217-5 | 1 | Nut-Hex |
| 17 | 1239 | 1 | Screw-Set |
| 18 | 937221 | 1 | Key-Hi Pro |
| 19 | 106165 | 1 | Pulley-Trans |
| 20 | 3242-2 | 1 | Screw-Sq. Hd. |
| 21 | 3577 | 1 | Cover-Dust |

| Ref. No. | Part No. | Qty. | Description |
|----------|------------|------|------------------|
| 22 | 933184 | 1 | Pin-Spirol |
| 23 | 110727 | 1 | Shift Rod ASM |
| 24 | 94-1834 | 1 | Decal - Unidrive |
| 25 | 937108 | 2 | Key-Woodruff |
| 26 | 3243-5 | 4 | Screw-Set |
| 27 | 3218-3 | 4 | Nut-Jam |
| 28 | 105763-03 | 2 | Hub-Wheel |
| 29 | 32121-97 | 2 | Pin |
| 30 | 95-7683 | 1 | Magnet Clip ASM |
| 31 | 3272-6 | 1 | Pin-Cotter |
| 32 | 110769 | 1 | Spring-Extension |
| 33 | 98-1748 | 1 | Shield - Magnet |
| 34 | 3296-29 | 2 | Nut-Lock |
| 35 | 322-3 | 2 | Screw-HH |
| 36 | 99-8029-03 | 1 | Bracket-Spring |



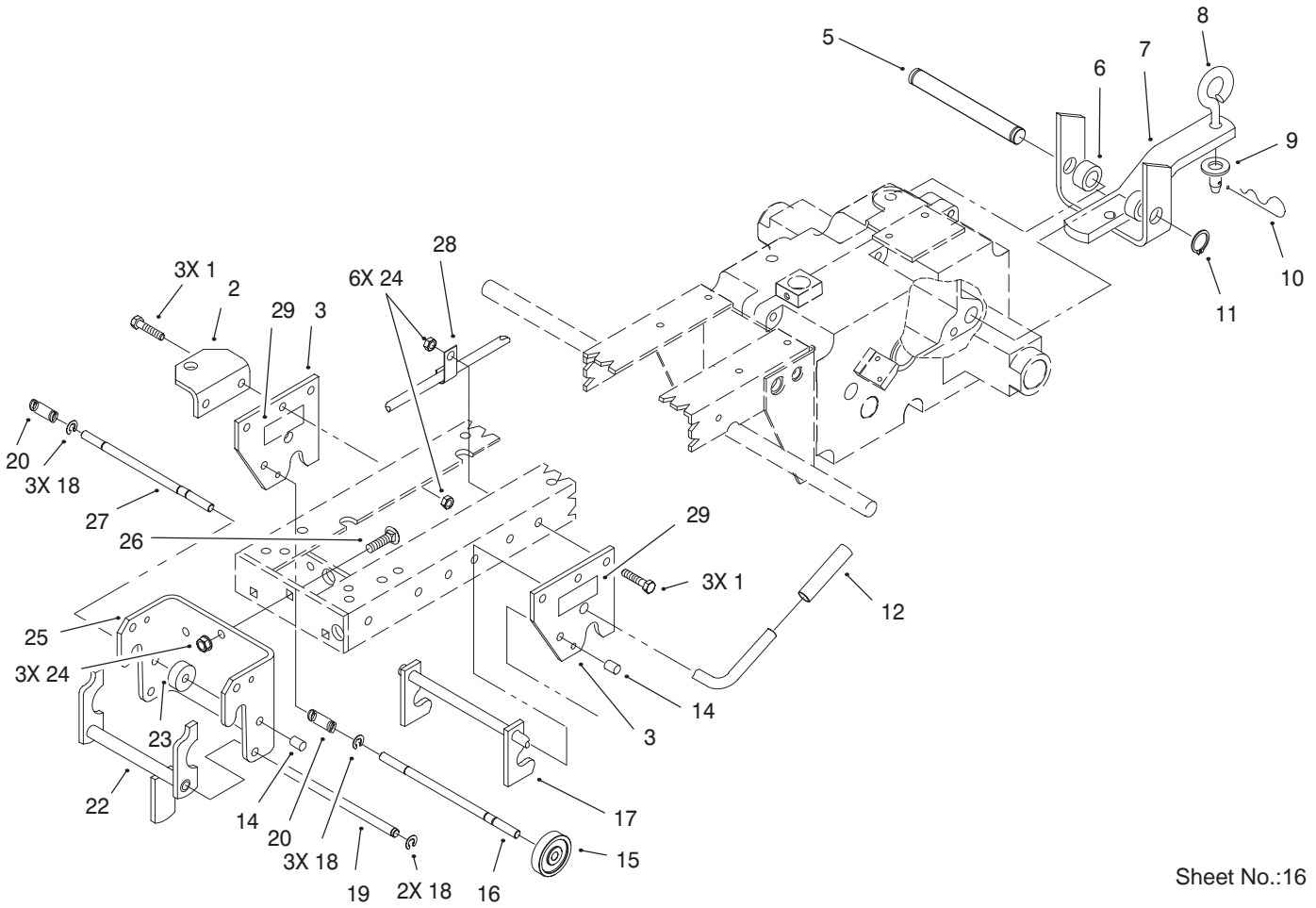
Sheet No.:15

Wheels Assembly

| Ref. No. | Part No. | Qty. | Description |
|----------|----------|------|---------------------------------------|
| 2 | 83-2720 | 10 | Lug-Bolt |
| ☆3 | | 2 | Tire ASM (only on: 73429) |
| ☆3 | | 2 | Tire ASM (only on: 73449) |
| 3:1 | 111516 | 1 | Wheel |
| 3:2 | 116742 | 1 | Tire-23x8.50-12 2ply (only on: 73429) |
| 3:2 | 116744 | 1 | Tire-23 X 950-12 (only on: 73449) |
| 3:3 | 5108 | 1 | Valve |
| 7 | 3272-17 | 2 | Pin-Cotter |
| ☆10 | | 2 | Front Wheel ASM (only on: 73449) |
| ☆10 | | 2 | Tire ASM (only on: 73429) |
| 10:1 | 117285 | 1 | Wheel ASM (only on: 73429) |
| 10:1 | 93-9801 | 1 | Wheel ASM (only on: 73449) |
| 10:1:1 | 5108 | 1 | Valve (only on: 73449) |
| 10:1:2 | 110513 | 2 | Bearing-Wheel (only on: 73449) |
| 10:1:3 | 109500 | 1 | Zerk-Grease (only on: 73449) |
| 10:2 | 5108 | 1 | Valve (only on: 73449) |

| Ref. No. | Part No. | Qty. | Description |
|----------|----------|------|-----------------------------------|
| 10:2 | 116884 | 1 | Tire-15 X 6.00-6 (only on: 73429) |
| 10:3 | 117127 | 1 | Tire (only on: 73449) |
| 12 | 61-9780 | 2 | Cap-Hub |
| 13 | 28-2480 | 2 | Washer |
| 14 | 1278 | 4 | Washer |
| 15 | 5210 | 2 | Washer-Shim |

☆ Not serviced

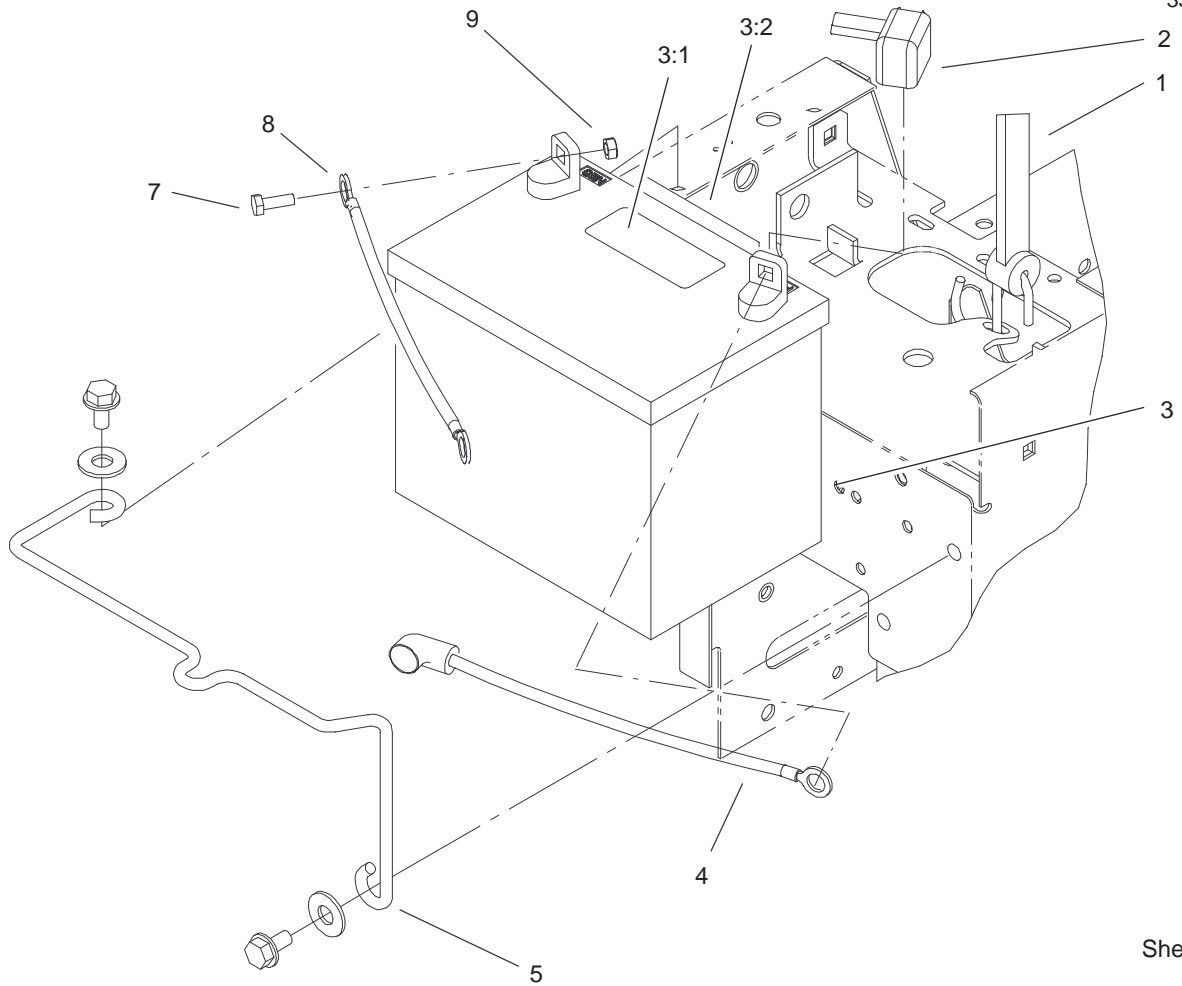


Sheet No.:16

Hitch Assembly

| Ref. No. | Part No. | Qty. | Description |
|----------|------------|------|----------------------|
| 1 | 323-44 | 6 | Screw-HH |
| 2 | 102870-01 | 1 | Support |
| 3 | 102644-01 | 2 | Plate-Hitch |
| 5 | 105269 | 1 | Pin-Stationary Hitch |
| 6 | 9791204 | 2 | Spacer |
| 7 | 98-8083-01 | 1 | Hitch ASM |
| 8 | 106634 | 1 | Pin-Tool |
| 9 | 3256-26 | 1 | Washer-Flat |
| 10 | 9335054 | 1 | Pin-Hair |
| 11 | 5618 | 2 | E-Ring |
| 12 | 9038 | 1 | Grip |
| 14 | 105316 | 2 | Cap-Plunger Rod |
| 15 | 101017 | 1 | Lock |
| 16 | 83-6520 | 1 | Rod-Lock |
| 17 | 117930 | 1 | Mid Hitch ASM |
| 18 | 105797 | 8 | Ring-Retaining |
| 19 | 101750 | 1 | Rod-Latch Pivot |
| 20 | 8616 | 2 | Spring |
| 22 | 93-1613 | 1 | Latch |
| 23 | 101707 | 1 | Lock |
| 24 | 3296-39 | 9 | Nut-Lock, NI |
| 25 | 101711-01 | 1 | Hitch-Front |
| 26 | 3231-25 | 3 | Screw-CARR |
| 27 | 101751 | 1 | Rod-Lock |
| 28 | 8830 | 1 | Clip |

| Ref. No. | Part No. | Qty. | Description |
|----------|----------|------|----------------------|
| 29 | 92-8747 | 2 | Decal-Attach-A-Matic |

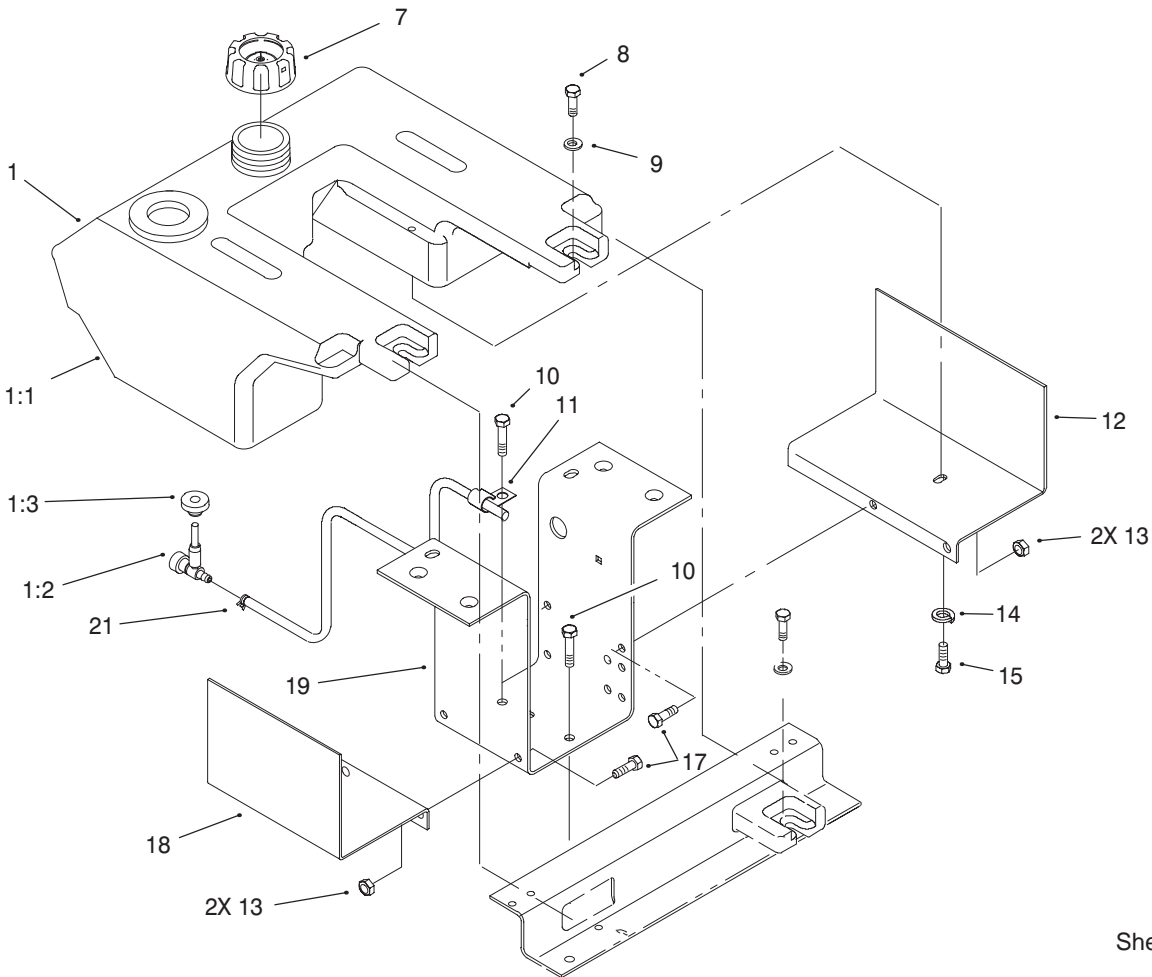


Sheet No.:17

Battery Assembly

| Ref. No. | Part No. | Qty. | Description |
|----------|----------|------|-------------------------|
| 1 | 104-2466 | 1 | Holddown-14" Battery |
| 2 | 28-8080 | 1 | Boot-Terminal |
| 3 | 104-2493 | 1 | Battery-195 Cca |
| 3:1 | 104-4163 | 1 | Decal-Battery |
| 3:2 | 104-4164 | 1 | Decal-Battery |
| 4 | 100-3539 | 1 | Cable-Battery, Positive |
| 5 | 104-0847 | 1 | Rod-Battery |
| 7 | 321-4 | 2 | Screw-HH |
| 8 | 95-7654 | 1 | Cable |
| 9 | 3296-42 | 2 | Nut-Lock, NI |

| Ref. No. | Part No. | Qty. | Description |
|----------|----------|------|-------------|
| | | | |
| | | | |
| | | | |
| | | | |
| | | | |
| | | | |
| | | | |
| | | | |
| | | | |
| | | | |

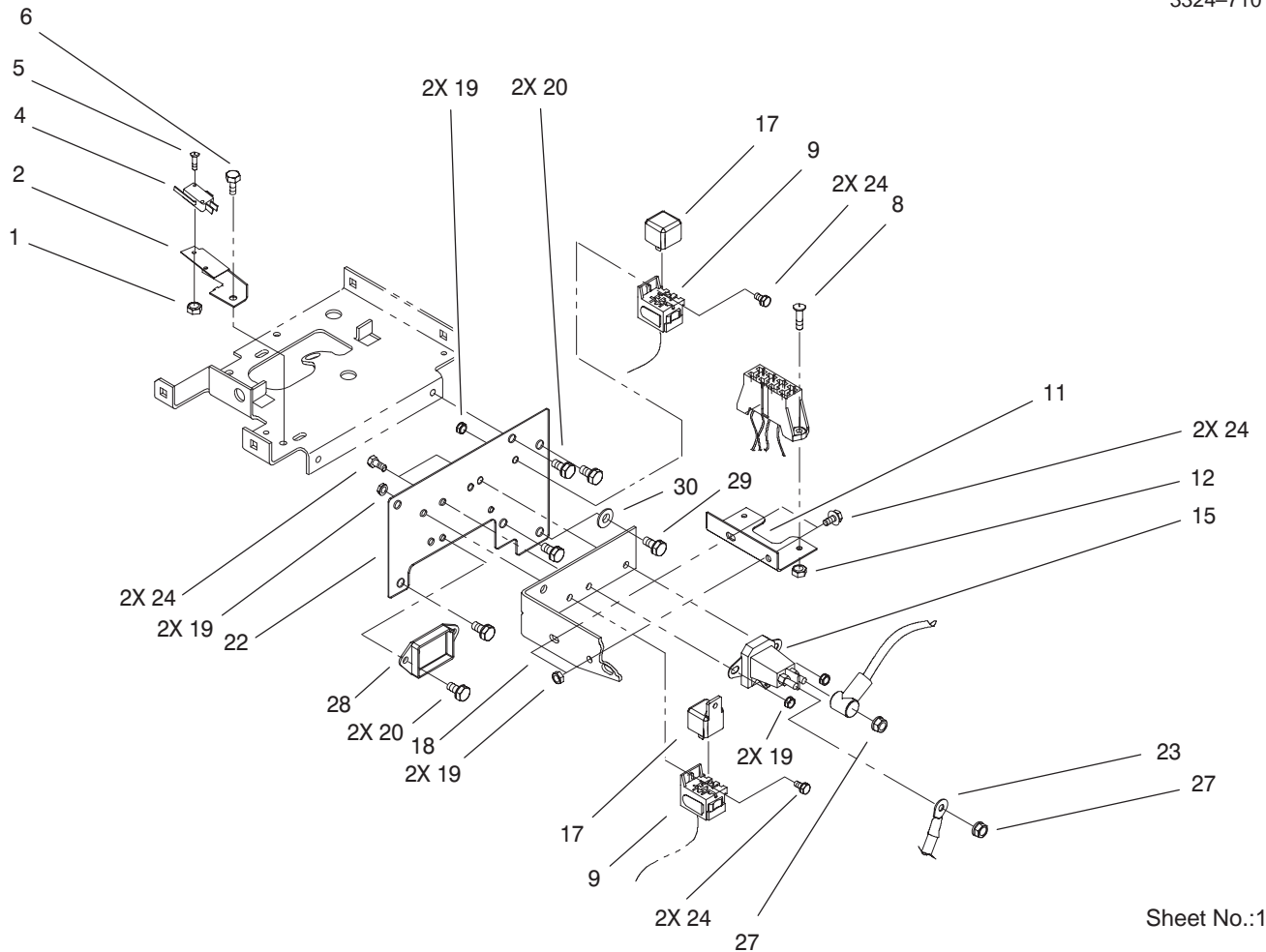


Sheet No.:18

Fuel Tank Assembly

| Ref. No. | Part No. | Qty. | Description |
|----------|------------|------|------------------|
| 1 | 106234 | 1 | Tank-Fuel |
| 1:1 | 106235 | 1 | Tank-Fuel |
| 1:2 | 104048 | 1 | Valve-Fuel |
| 1:3 | 104047 | 1 | Bushing |
| 7 | 55-3570 | 1 | Gas Cap ASM |
| 8 | 9266974 | 2 | Screw-Thr'd Form |
| 9 | 3256-4 | 2 | Washer-Flat |
| 10 | 3235-22 | 2 | Screw-HH |
| 11 | 8830 | 1 | Clip |
| 12 | 94-6693-03 | 1 | Brkt-Suport |
| 13 | 3296-29 | 4 | Nut-Lock |
| 14 | 3253-4 | 2 | Washer-Lock |
| 15 | 322-2 | 2 | Screw-HH |
| 17 | 322-3 | 4 | Screw-HH |
| 18 | 94-6692-03 | 1 | Bracket-Suport |
| 19 | 79-4990-03 | 1 | Suport-Fender |
| 21 | 2412-98 | 2 | Clamp |

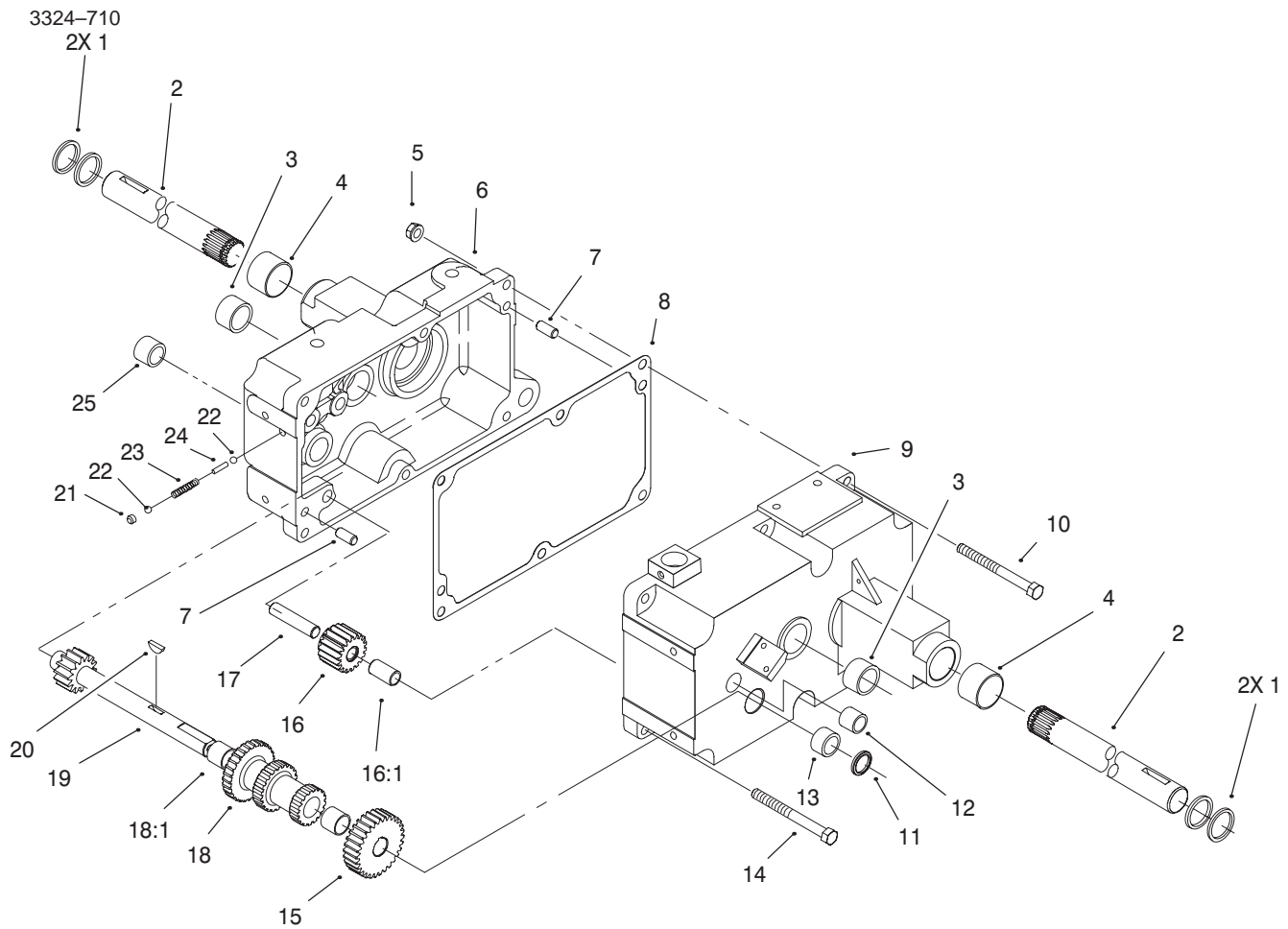
| Ref. No. | Part No. | Qty. | Description |
|----------|----------|------|-------------|
| | | | |
| | | | |
| | | | |
| | | | |
| | | | |
| | | | |
| | | | |
| | | | |
| | | | |
| | | | |



Sheet No.:19

Hoodstand Electrical Mounting Assembly

| Ref. No. | Part No. | Qty. | Description | Ref. No. | Part No. | Qty. | Description |
|----------|-------------|------|--|----------|----------|------|-------------|
| 1 | 9157324 | 2 | Nut-Hex | | | | |
| 2 | 115411 | 1 | Bracket-Switch | | | | |
| 4 | 111332 | 1 | Switch | | | | |
| 5 | 9109484 | 2 | Screw-Pchr | | | | |
| 6 | 9266714 | 1 | Screw-HWH | | | | |
| 8 | 9107944 | 2 | Screw-Pan | | | | |
| 9 | 104-5026 | 1 | Harness-Wire 14 HP (only on: 73449) | | | | |
| 9 | 104-5025 | 1 | Harness-Wire 12 HP (only on: 73429) | | | | |
| 11 | 117331-03 | 1 | Fuse Holder | | | | |
| 12 | 3296-2 | 2 | Nut-Lock | | | | |
| 15 | 28-4210 | 1 | Solenoid | | | | |
| 17 | 98-7249 | 2 | Relay | | | | |
| 18 | 100-6090-03 | 1 | Bracket-Belt | | | | |
| 19 | 3296-42 | 8 | Nut-Lock, NI | | | | |
| 20 | 32144-14 | 4 | Screw-HWH | | | | |
| 22 | 100-6091-03 | 1 | Plate-Hoodstand, Front | | | | |
| 23 | 100-3540 | 1 | Cable-Battery,Positive | | | | |
| 24 | 3234-33 | 8 | Screw-HHF | | | | |
| 27 | 32149-1 | 2 | Nut | | | | |
| 28 | 99-3700 | 1 | Module-Nmir | | | | |
| 29 | 9266974 | 1 | Screw-Thr'd Form | | | | |
| 30 | 3256-4 | 1 | Washer-Flat | | | | |

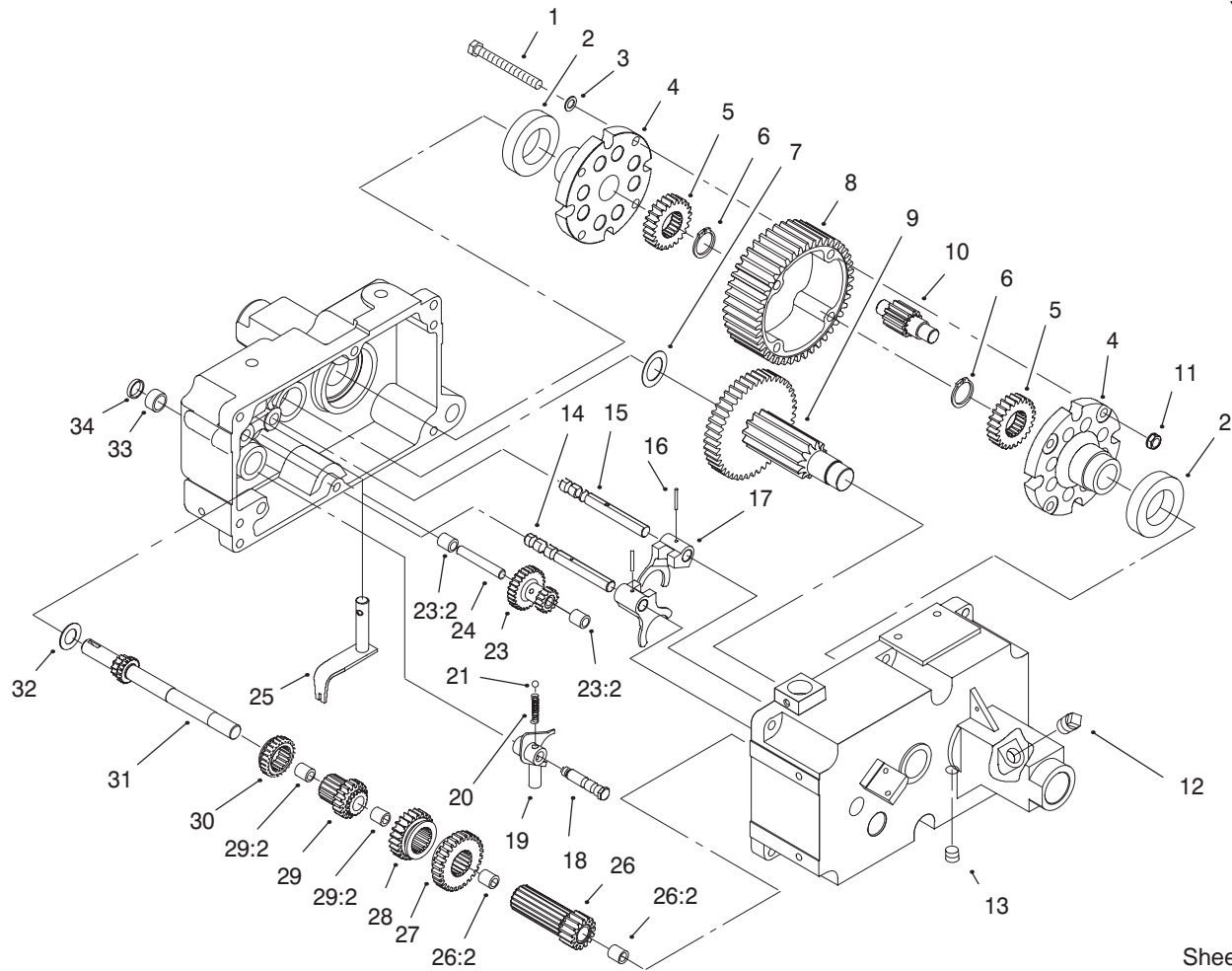


Sheet No.:1

Transmission 8-Speed 4 Pinion (Model 73429 Only)

| Ref. No. | Part No. | Qty. | Description |
|----------|------------|------|-----------------------------------|
| 1 | 100443 | 4 | Seal-Oil |
| 2 | 105875 | 2 | Axle-Rear |
| 3 | 1532 | 2 | Bearing-Needle |
| 4 | 9416 | 2 | Bearing |
| 5 | 3296-39 | 6 | Nut-Lock, NI |
| 6 | 111200-01 | 1 | Case-RH Trans |
| 7 | 3915 | 2 | Pin-Dowel |
| 8 | 3912 | 1 | Gasket-Transmission |
| 9 | 95-5143-01 | 1 | Case-Trans LH |
| 10 | 323-16 | 1 | Screw-HH |
| 11 | 100441 | 1 | Seal-Oil |
| 12 | 83-2890 | 1 | Bearing-Needle |
| 13 | 1523 | 1 | Bearing-Needle |
| 14 | 323-11 | 5 | Screw-HH |
| 15 | 3527 | 1 | Gear-Cluster Shaft |
| 16 | 4204 | 1 | Gear/Bushing ASM-Reverse Idler |
| 16:1 | 1516 | 1 | Bushing |
| 17 | 3909 | 1 | Pin-Differential |
| 18 | 7269 | 1 | Gear-Cluster |
| 18:1 | 1504 | 2 | Bushing-Bronze |
| 19 | 83-3530 | 1 | Shaft-Cluster |
| 20 | 937089 | 1 | Key |
| 21 | 1243 | 1 | Cup-Plug |
| 22 | 3517 | 2 | Ball-Detent |
| 23 | 106030 | 1 | Spring-Shift Stop |

| Ref. No. | Part No. | Qty. | Description |
|----------|----------|------|----------------|
| 24 | 5614 | 1 | Pin-Shift |
| 25 | 1529 | 1 | Bearing-Needle |

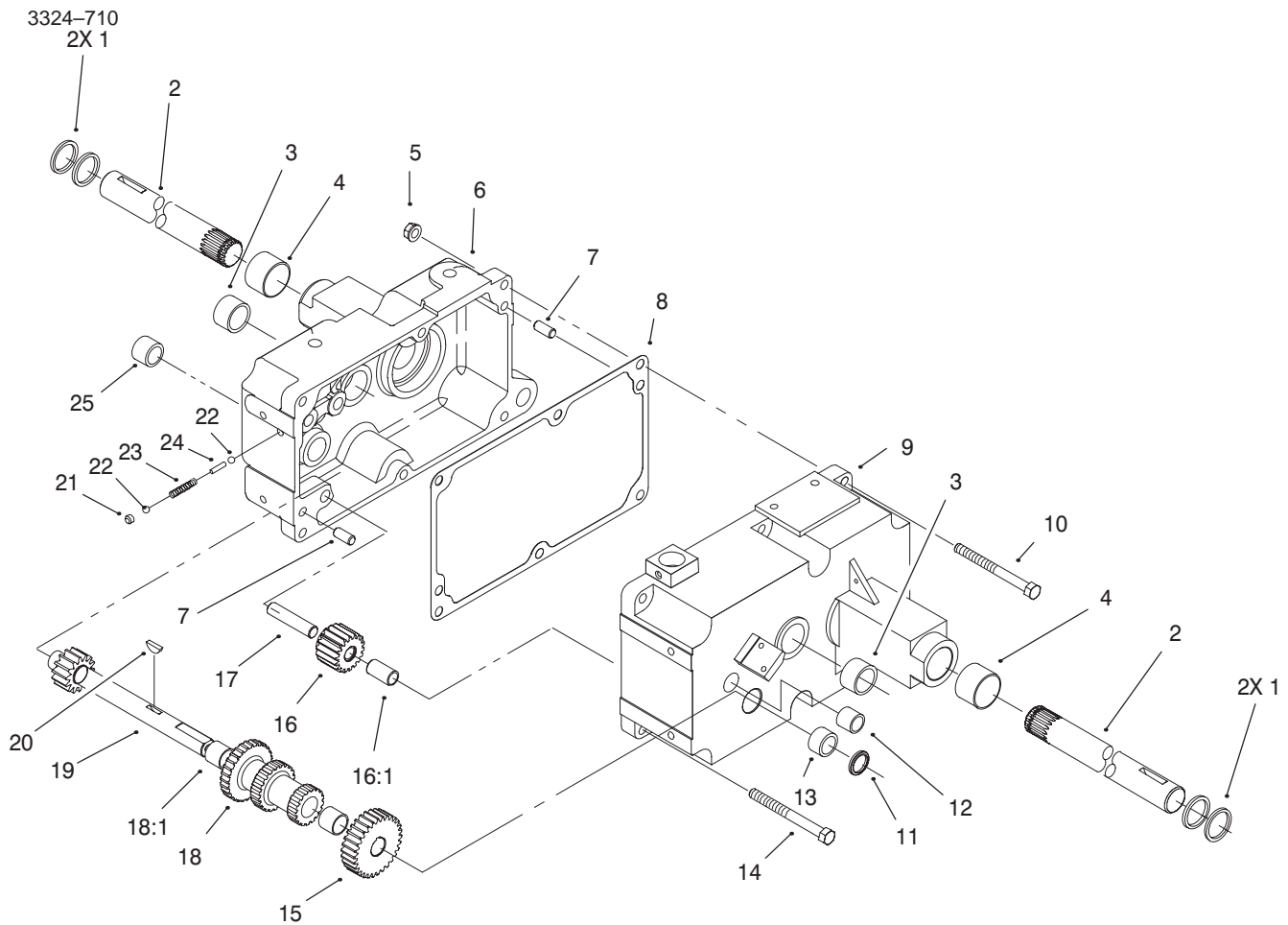


Sheet No.:2

Transmission 8-Speed 4 Pinion (continued) (Model 73429 Only)

| Ref. No. | Part No. | Qty. | Description |
|----------|----------|------|-------------------------------|
| 1 | 911423 | 4 | Bolt-Hex |
| 2 | 111199 | 2 | Bearing-Ball |
| 3 | 107374 | 4 | Washer |
| 4 | 111196 | 2 | End Cap-Differential |
| 5 | 101889 | 2 | Gear-Axle Differential |
| 6 | 105876 | 2 | Ring-Snap |
| 7 | 9547 | 1 | Washer-Thrust |
| 8 | 105061 | 1 | Gear-Differential Ring 43t |
| 9 | 102974 | 1 | Gear ASM |
| 10 | 101623 | 4 | Gear-Pinion 11t |
| 11 | 108881 | 4 | Nut |
| 12 | 281-2 | 1 | Plug-Pipe, Square Head |
| 13 | 99-8551 | 1 | Plug-Pipe |
| 14 | 5615 | 1 | Rail-Shift |
| 15 | 5616 | 1 | Rail-Rear Shift |
| 16 | 933156 | 2 | Pin-Spirol, Roll |
| 17 | 3503 | 2 | Fork-Shift |
| 18 | 7213 | 1 | Bolt-Detent |
| 19 | 116636 | 1 | Shift Fork ASM |
| 20 | 106030 | 1 | Spring-Shift Stop |
| 21 | 3517 | 1 | Ball-Detent |
| 23 | 100-1338 | 1 | ASM-Gear Reduction |

| Ref. No. | Part No. | Qty. | Description |
|----------|----------|------|-------------------------|
| 23:2 | 7207 | 2 | Bearing-Needle |
| 24 | 7208 | 1 | Gear-Shaft Reduction |
| 25 | 7214 | 1 | Shift ASM |
| 26 | 5175 | 1 | Gear |
| 26:2 | 1518 | 2 | Bearing-Needle |
| 27 | 5174 | 1 | Gear-Low And Reverse |
| 28 | 5173 | 1 | Gear-Hi And 2nd |
| 29 | 7204 | 1 | Gear |
| 29:2 | 1518 | 2 | Bearing-Needle |
| 30 | 7205 | 1 | Gear-Sliding |
| 31 | 7201 | 1 | Shaft-Input |
| 32 | 7418 | 1 | Washer-Thr |
| 33 | 1542 | 1 | Bearing-Needle |
| 34 | 100442 | 1 | Seal-Oil |

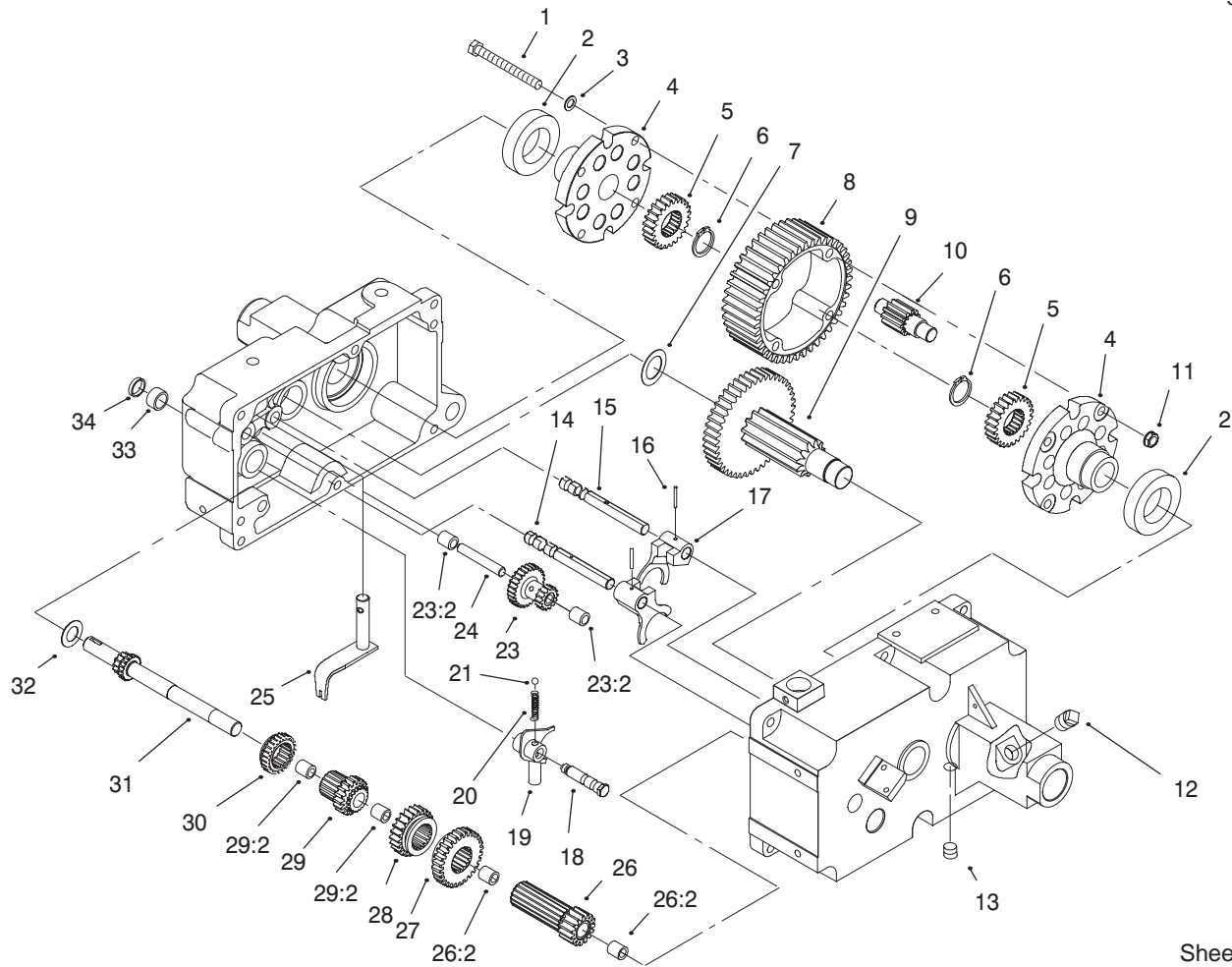


Sheet No.:1

Transmission 8-Speed 8 Pinion (Model 73449 Only)

| Ref. No. | Part No. | Qty. | Description |
|----------|------------|------|-----------------------------------|
| 1 | 100443 | 4 | Seal-Oil |
| 2 | 105875 | 2 | Axle-Rear |
| 3 | 1532 | 2 | Bearing-Needle |
| 4 | 9416 | 2 | Bearing |
| 5 | 3296-39 | 6 | Nut-Lock, NI |
| 6 | 111200-01 | 1 | Case-RH Trans |
| 7 | 3915 | 2 | Pin-Dowel |
| 8 | 3912 | 1 | Gasket-Transmission |
| 9 | 95-5143-01 | 1 | Case-Trans LH |
| 10 | 323-16 | 1 | Screw-HH |
| 11 | 100441 | 1 | Seal-Oil |
| 12 | 83-2890 | 1 | Bearing-Needle |
| 13 | 1523 | 1 | Bearing-Needle |
| 14 | 323-11 | 5 | Screw-HH |
| 15 | 3527 | 1 | Gear-Cluster Shaft |
| 16 | 4204 | 1 | Gear/Bushing ASM-Reverse Idler |
| 16:1 | 1516 | 1 | Bushing |
| 17 | 3909 | 1 | Pin-Differential |
| 18 | 7269 | 1 | Gear-Cluster |
| 18:1 | 1504 | 2 | Bushing-Bronze |
| 19 | 83-3530 | 1 | Shaft-Cluster |
| 20 | 937089 | 1 | Key |
| 21 | 1243 | 1 | Cup-Plug |
| 22 | 3517 | 2 | Ball-Detent |
| 23 | 106030 | 1 | Spring-Shift Stop |

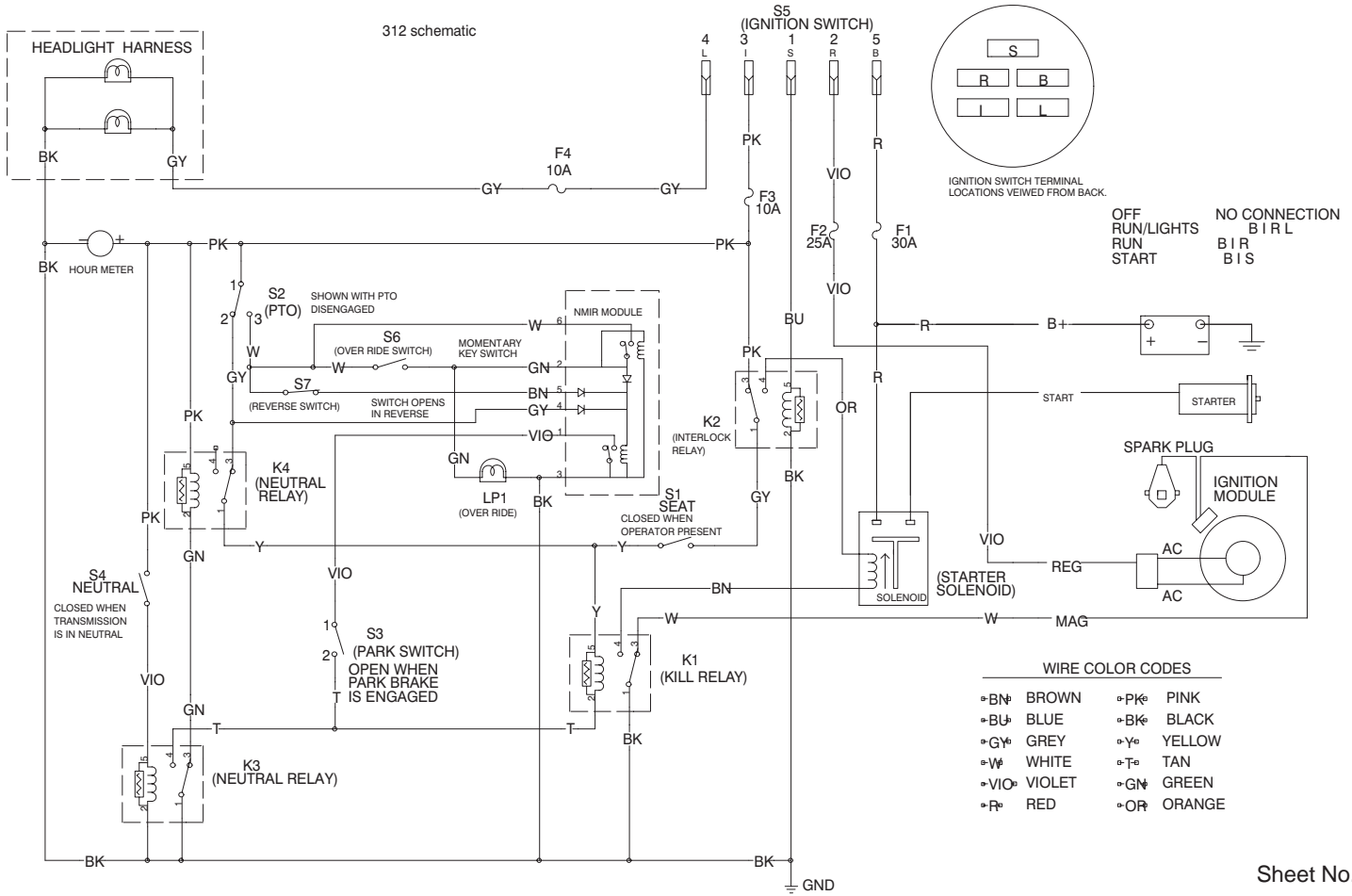
| Ref. No. | Part No. | Qty. | Description |
|----------|----------|------|----------------|
| 24 | 5614 | 1 | Pin-Shift |
| 25 | 1529 | 1 | Bearing-Needle |



Sheet No.:2

Transmission 8-Speed 8 Pinion (continued) (Model 73449 Only)

| Ref. No. | Part No. | Qty. | Description | Ref. No. | Part No. | Qty. | Description |
|----------|----------|------|----------------------------|----------|----------|------|----------------------|
| 1 | 911423 | 4 | Bolt-Hex | 23:2 | 7207 | 2 | Bearing-Needle |
| 2 | 111199 | 2 | Bearing-Ball | 24 | 7208 | 1 | Gear-Shaft Reduction |
| 3 | 107374 | 4 | Washer | 25 | 7214 | 1 | Shift ASM |
| 4 | 111196 | 2 | End Cap-Differential | 26 | 5175 | 1 | Gear |
| 5 | 101889 | 2 | Gear-Axle Differential | 26:2 | 1518 | 2 | Bearing-Needle |
| 6 | 105876 | 2 | Ring-Snap | 27 | 5174 | 1 | Gear-Low And Reverse |
| 7 | 9547 | 1 | Washer-Thrust | 28 | 5173 | 1 | Gear-Hi And 2nd |
| 8 | 105061 | 1 | Gear-Differential Ring 43t | 29 | 7204 | 1 | Gear |
| 9 | 102974 | 1 | Gear ASM | 29:2 | 1518 | 2 | Bearing-Needle |
| 10 | 101623 | 8 | Gear-Pinion 11t | 30 | 7205 | 1 | Gear-Sliding |
| 11 | 108881 | 4 | Nut | 31 | 7201 | 1 | Shaft-Input |
| 12 | 281-2 | 1 | Plug-Pipe, Square Head | 32 | 7418 | 1 | Washer-Thr |
| 13 | 99-8551 | 1 | Plug-Pipe | 33 | 1542 | 1 | Bearing-Needle |
| 14 | 5615 | 1 | Rail-Shift | 34 | 100442 | 1 | Seal-Oil |
| 15 | 5616 | 1 | Rail-Rear Shift | | | | |
| 16 | 933156 | 2 | Pin-Spirol, Roll | | | | |
| 17 | 3503 | 2 | Fork-Shift | | | | |
| 18 | 7213 | 1 | Bolt-Detent | | | | |
| 19 | 116636 | 1 | Shift Fork ASM | | | | |
| 20 | 106030 | 1 | Spring-Shift Stop | | | | |
| 21 | 3517 | 1 | Ball-Detent | | | | |
| 23 | 100-1338 | 1 | ASM-Gear Reduction | | | | |

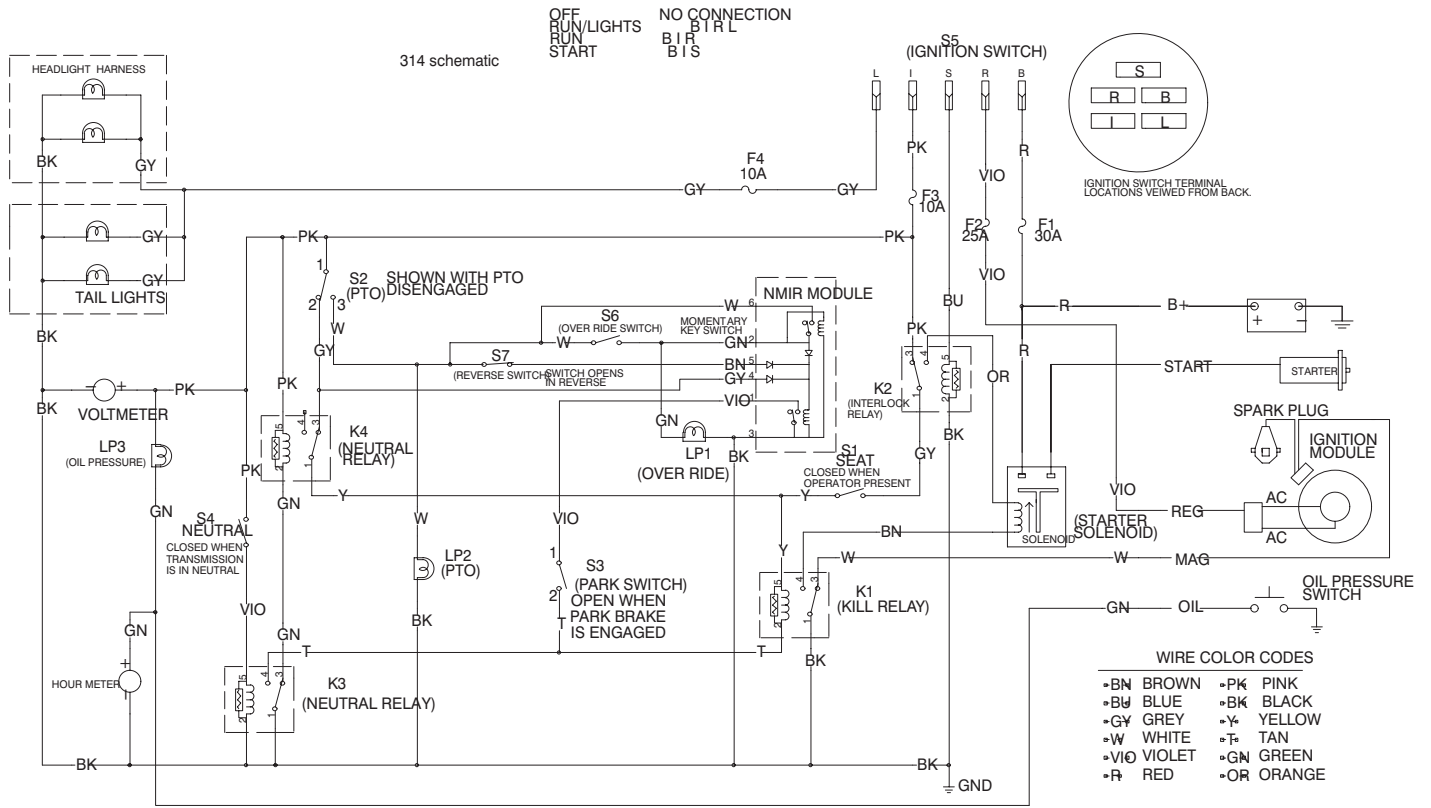


Sheet No.:

Electrical Schematic (Model 73429 Only)

| Ref. No. | Part No. | Qty. | Description |
|----------|----------|------|-------------|
| F1 | Nn10277 | 1 | Fuse-30 Amp |
| F2 | 109102 | 1 | Fuse-25 Amp |
| F3 & F4 | 114594 | 2 | Fuse-10 Amp |

| Ref. No. | Part No. | Qty. | Description |
|----------|----------|------|-------------|
|----------|----------|------|-------------|

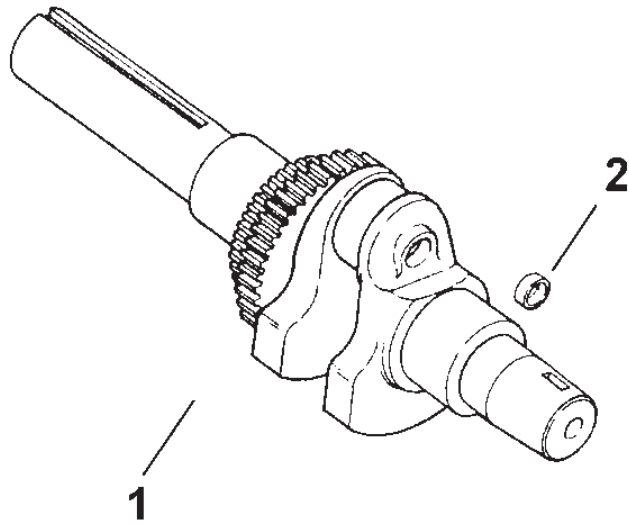


Sheet No.:

Electrical Schematic (Model 73449 Only)

| Ref. No. | Part No. | Qty. | Description |
|----------|----------|------|-------------|
| F1 | Nn10277 | 1 | Fuse-30 Amp |
| F2 | 109102 | 1 | Fuse-25 Amp |
| F3 & F4 | 114594 | 2 | Fuse-10 Amp |

| Ref. No. | Part No. | Qty. | Description |
|----------|----------|------|-------------|
| | | | |
| | | | |
| | | | |
| | | | |

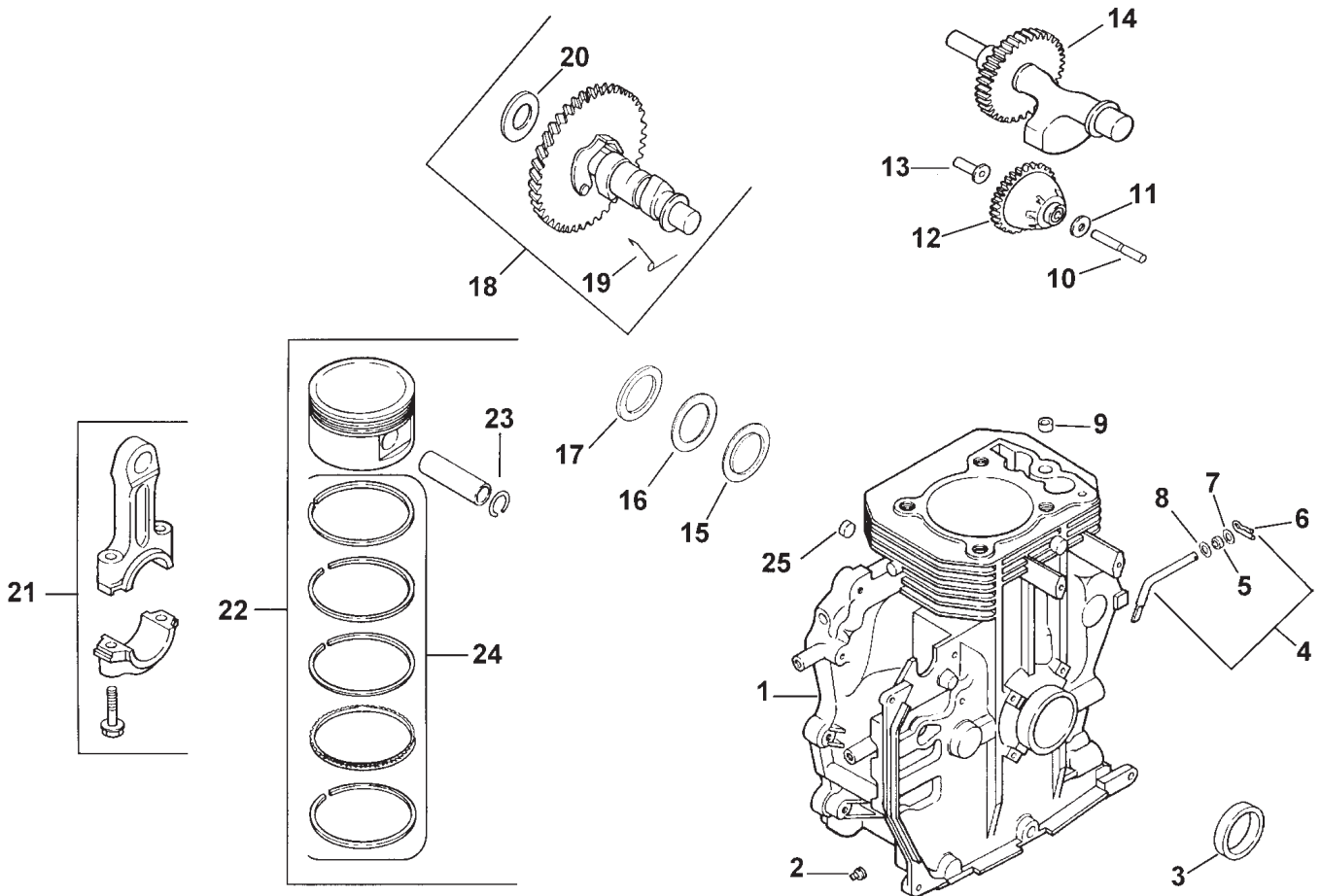


Crankshaft (Model 73429 Only)

| Ref. No. | Part No. | Qty. | Description |
|----------|-----------|------|------------------------|
| 1 | 12 014 48 | 2 | Crankshaft (Incl. # 2) |
| 2 | 12 139 01 | 2 | Plug, cup |

| Ref. No. | Part No. | Qty. | Description |
|----------|----------|------|-------------|
| | | | |
| | | | |
| | | | |
| | | | |
| | | | |
| | | | |
| | | | |
| | | | |
| | | | |

Kohler Engine CH12.5PS-1935
 Obtain Parts From Kohler

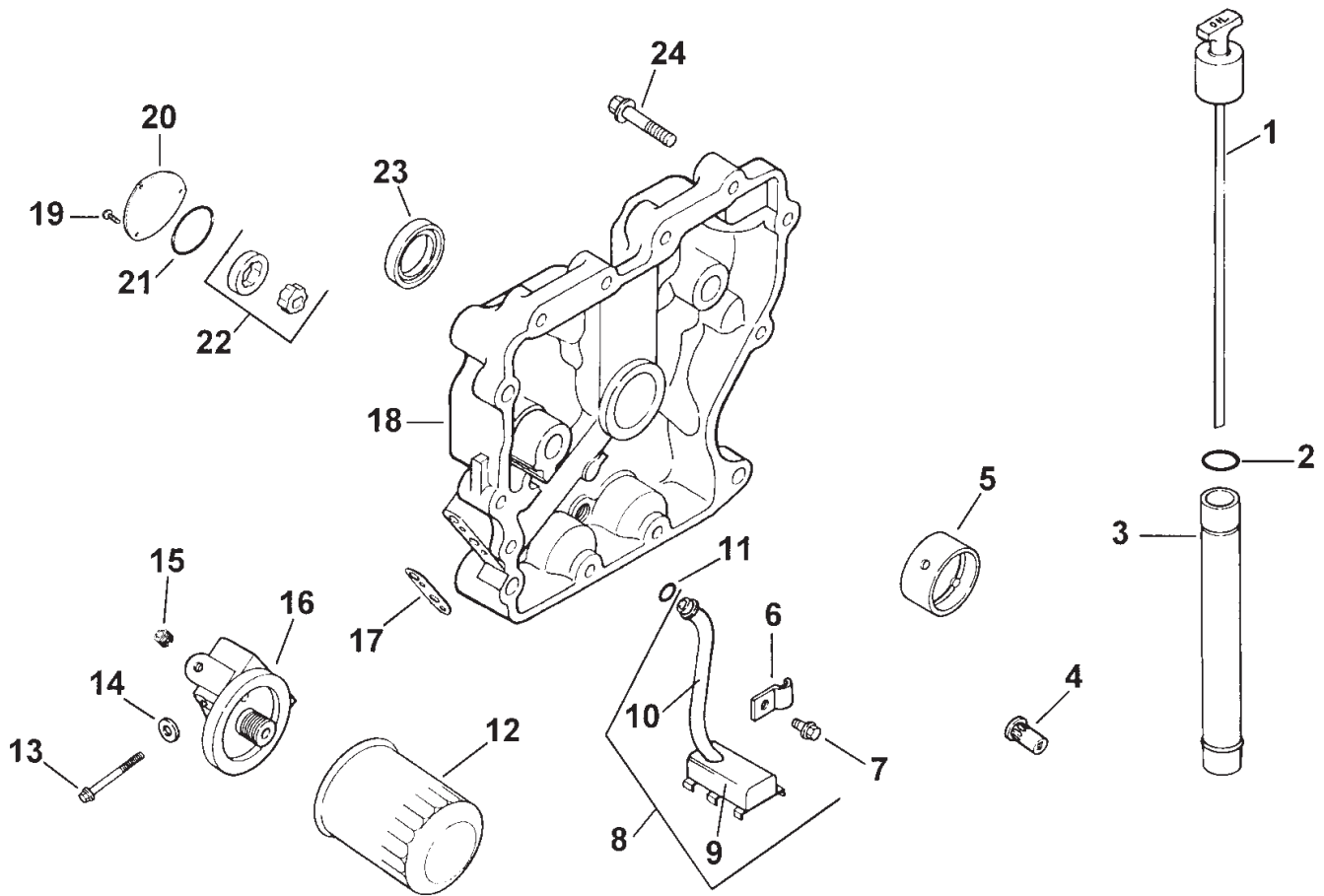


Crankcase (Model 73429 Only)

| Ref. No. | Part No. | Qty. | Description |
|----------|-----------|------|---|
| 1 | | 1 | Short Block |
| 2 | X-75-10 | 2 | Plug, solid sq. hd. 3/8 |
| 3 | 12 032 03 | | Seal, crankshaft |
| 4 | 12 755 64 | 6 | Kit, governor cross shaft (Includes # 6) |
| 5 | 12 032 01 | | Seal, governor cross shaft |
| 6 | 12 154 05 | | Clip, hitch pin |
| 7 | X-25-102 | | Washer, plain 1/4 |
| 8 | M-0631015 | | Washer, plain 6 mm |
| 9 | 12 380 17 | 4 | Dowel, locating |
| 10 | 12 144 02 | | Shaft, governor gear |
| 11 | M-0631005 | | Washer, plain 6 mm |
| 12 | 12 043 05 | | Gear, governor |
| 13 | 12 380 01 | | Pin, governor regulating |
| 14 | 12 144 26 | | Shaft, balance |
| 15 | 24 030 08 | | Bearing, thrust |
| 16 | 52 114 04 | | Washer, thrust |
| 17 | 24 422 04 | | Shim, thrust |
| 18 | 12 755 50 | | Kit, camshaft (Includes |
| 19 | 12 089 31 | | Spring, actuating |
| 20 | 12 422 08 | | Shim, camshaft (A.R.) blue |

| Ref. No. | Part No. | Qty. | Description |
|----------|-----------|------|---|
| | 12 422 09 | | Shim, camshaft (A.R.) red |
| | 12 422 10 | | Shim, camshaft (A.R.) yellow |
| | 12 422 11 | | Shim, camshaft (A.R.) green |
| | 12 422 12 | | Shim, camshaft (A.R.) gray |
| | 12 422 13 | | Shim, camshaft (A.R.) black |
| | 12 422 07 | | Shim, camshaft (A.R.) white |
| 21 | 12 067 05 | 1 | Connecting Rod (Std.) |
| | 12 067 06 | | Connecting Rod (.25) |
| 22 | 12 874 01 | | Piston w/Ring Set (Std.) (Includes 23,24) |
| | 12 874 02 | | Piston w/Ring Set (.25) |
| | 12 874 03 | | Piston w/Ring Set (.50) |
| 23 | 12 018 02 | | Retainer, piston pin |
| 24 | 12 108 01 | | Ring Set (Std.) |
| | 12 108 02 | | Ring Set (.25) |
| | 12 108 03 | | Ring Set (.50) |
| 25 | 52 139 09 | | Plug, cup |

Kohler Engine CH12.5PS-1935
Obtain Parts From Kohler

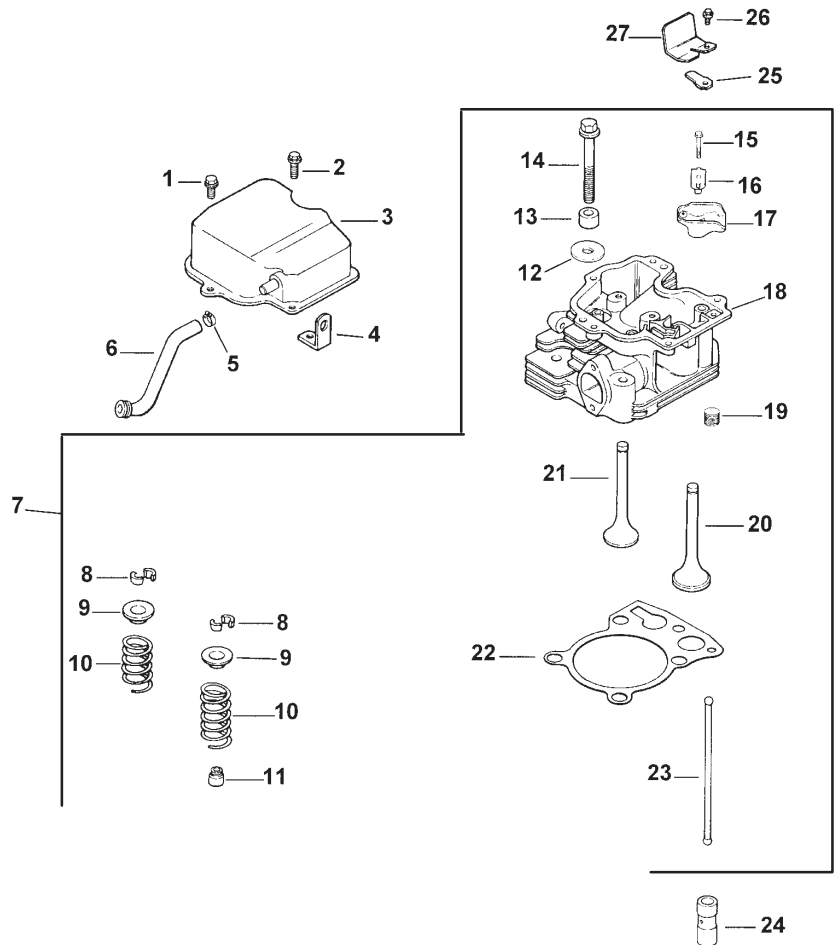


Oil Pan / Lubrication (Model 73429 Only)

| Ref. No. | Part No. | Qty. | Description |
|----------|-----------|------|---|
| 1 | 47 038 26 | | Dipstick |
| 2 | 41 153 01 | | O-Ring, oil fill tube |
| 3 | 24 123 11 | | Tube, oil fill |
| 4 | 25 462 09 | | Valve, oil pressure relief |
| 5 | 12 030 05 | | Bearing, crankshaft |
| 6 | 52 154 01 | | Clip |
| 7 | M-0545016 | | Screw, hex. flange M5x0.8x16 |
| 8 | 12 755 73 | | Kit, oil pick-up (Includes 9,10) |
| 9 | 25 381 01 | | Pick-up, oil screen |
| 10 | 12 123 21 | | Tubing, oil pick-up |
| 11 | 12 153 04 | | O-Ring, oil pick-up |
| 12 | 52 050 02 | | Filter, oil |
| 13 | M-0651060 | 2 | Screw, hex. flange M6x1.0x60 |
| 14 | X-25-12 | 2 | Washer, plain 1/4 |
| 15 | X-75-23 | | Plug, allen hd. 1/8" pip |
| 16 | 12 029 01 | | Adapter, oil filter |
| 17 | 12 041 07 | | Gasket, oil filter adapter |
| 18 | 1200936 | | Plate, closure Asm (Includes 4,5,19-22) |
| 19 | M-0545016 | 3 | Screw, hex. flange M5x0.8x16 |

| Ref. No. | Part No. | Qty. | Description |
|----------|-----------|------|-------------------------------|
| 20 | 12 096 21 | | Cover, oil pump |
| 21 | 12 153 05 | | O-Ring, oil pump cover |
| 22 | 12 393 01 | | Pump, oil |
| 23 | 12 032 03 | | Seal, oil (P.T.O. end) |
| 24 | 24 086 16 | 11 | Screw, hex. flange M8x1.25x45 |
| 24 | 24 086 17 | | Screw, hex. flange M8x1.25x45 |

Kohler Engine CH12.5PS-1935
 Obtain Parts From Kohler

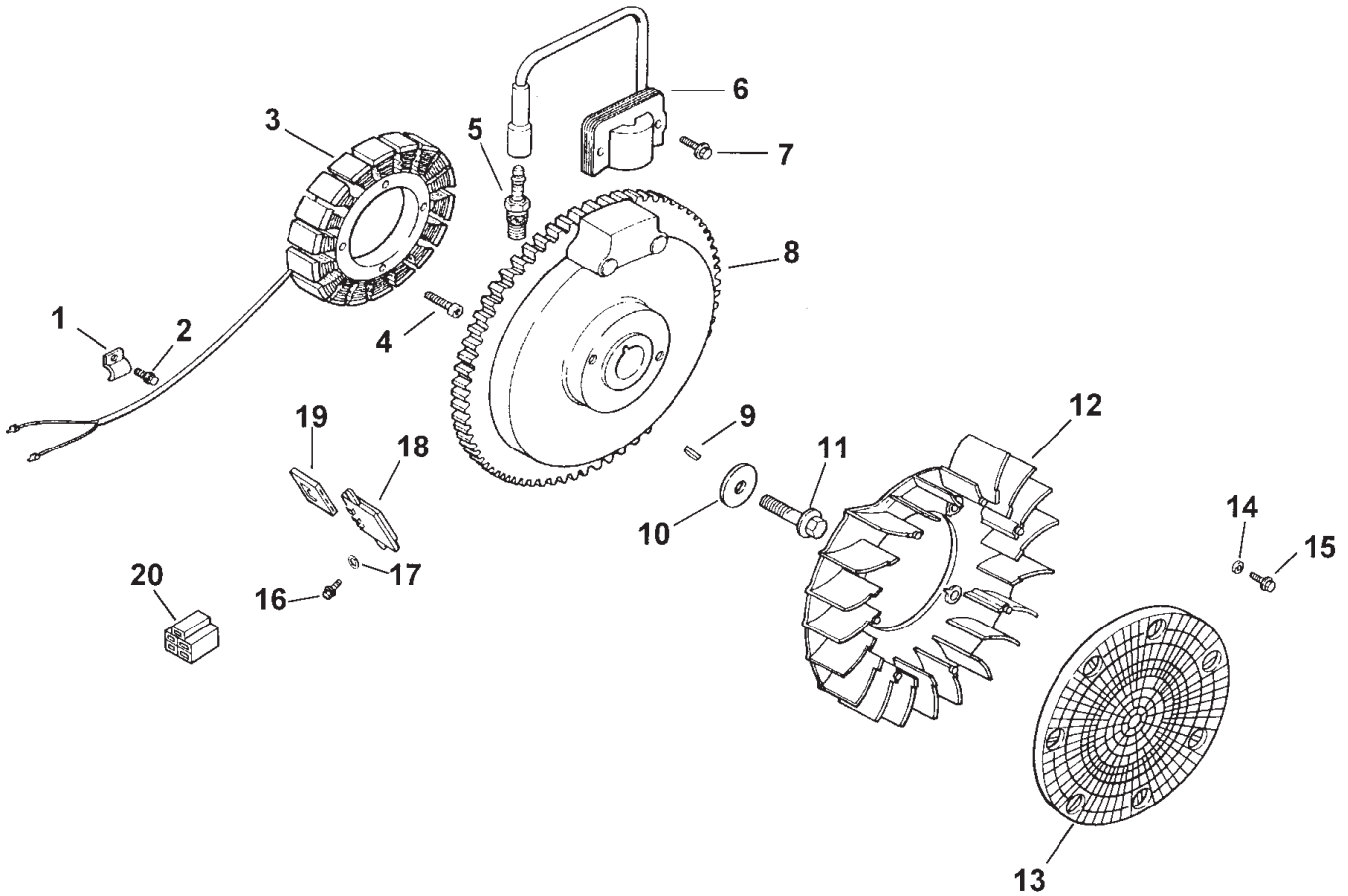


Cylinder Head / Valve And Breather (Model 73429 Only)

| Ref. No. | Part No. | Qty. | Description |
|----------|-----------|------|--|
| 1 | M-0645020 | 4 | Screw, hex. flange M6x1.0x20 |
| 2 | M-0645025 | | Screw, hex. flange M6x1.0x25 |
| 3 | 12 096 07 | | Cover, valve w/nipple |
| 4 | 12 445 05 | | Strap, lifting (PTO side) |
| 5 | X-426-9 | | Clamp, hose |
| 6 | 12 326 09 | | Hose, breather |
| 7 | 12 041 01 | | Kit, cylinder head (Includes 8-23, |
| | 12 041 02 | 2 | carburetor gasket , air cleaner, base gasket, & exhaust manifold gasket) |
| | 12 041 03 | | |
| | 12 755 81 | | |
| 8 | 12 755 03 | 2 | Kit, retainer |
| 9 | 12 173 01 | 2 | Cap, valve spring |
| 10 | 12 089 01 | 2 | Spring, valve |
| 11 | 24 032 05 | 2 | Seal, valve stem |
| 12 | 12 468 05 | | Washer, plain 13/32 |
| 13 | 12 112 13 | | Spacer, head bolt exhaust port |
| 14 | 12 086 15 | 5 | Screw, hex. flange M10x1.5x81 |
| 15 | M-0640034 | 2 | Screw, hex. flange M6x1.0x34 |

| Ref. No. | Part No. | Qty. | Description |
|----------|-----------|------|---|
| 16 | 12 599 03 | 2 | Pivot, rocker arm |
| 17 | 25 186 01 | 2 | Arm, rocker |
| 18 | 12 318 19 | | Head, cylinder |
| 19 | X-75-23 | | Plug, allen hd. 1/8 pipe |
| 20 | 12 017 01 | | Valve, intake (Std.) |
| 21 | 12 016 01 | | Valve, exhaust (Std.) |
| 22 | 12 041 08 | | Gasket, cylinder head |
| 23 | 12 411 01 | 2 | Rod, push |
| 24 | 12 351 02 | 2 | Lifter, valve |
| 25 | 12 402 02 | | Reed, breather |
| 26 | M-0545010 | | Screw, hex. flange M5x0.8x10 |
| 27 | 12 018 03 | | Retainer, breather reed Not Illustrated |
| | 12 017 02 | | Valve, intake (.25) |
| | 12 016 02 | | Valve, exhaust (.25) |

Kohler Engine CH12.5PS-1935
Obtain Parts From Kohler

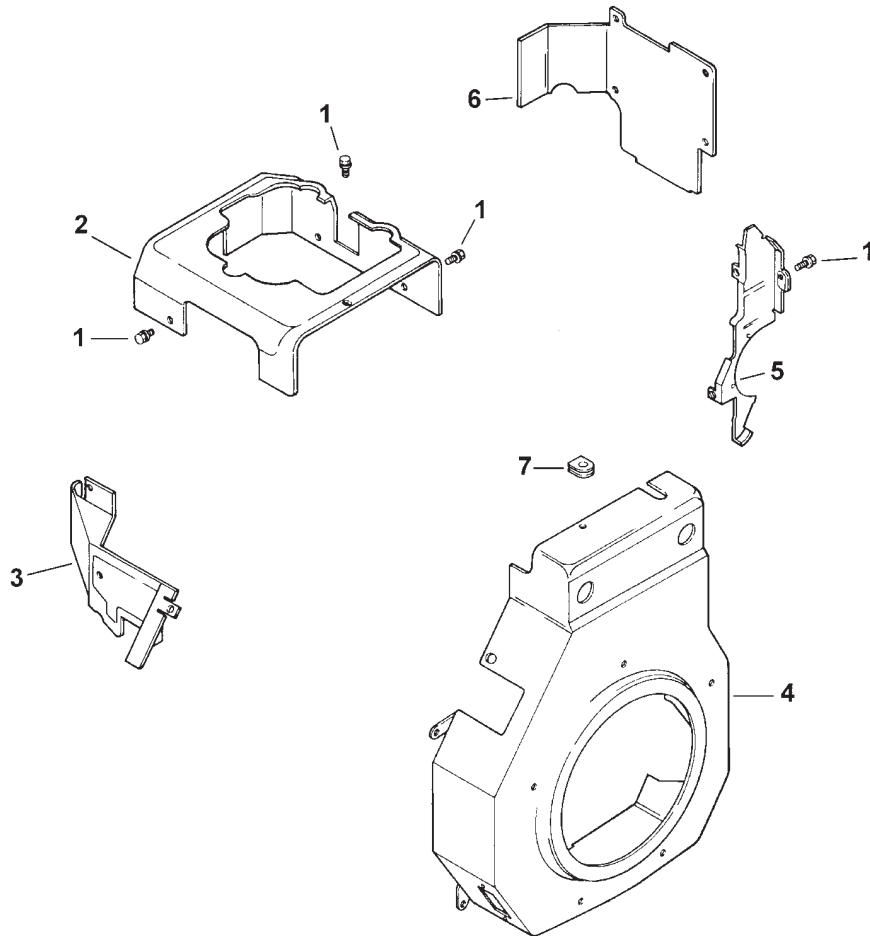


Ignition / Electrical (Model 73429 Only)

| Ref. No. | Part No. | Qty. | Description |
|----------|------------------------|------|--|
| 1 | X-728-1 | 2 | Clip |
| 2 | M-0545010 | 2 | Screw, hex. flange M5x0.8x10 |
| 3 | 24 126 71 | | Kit, 15 amp stator (Includes Bracket). |
| 4 | 54 755 09 M-0548025 | 2 | Screw, hex. cap M5x0.8x25 |
| 5 | 12 132 02 | | Spark Plug |
| 6 | 12 584 04 | | Module, ignition |
| 7 | M-0545020 | 2 | Screw, hex. flange M5x0.8x20 |
| 8 | 12 025 15 | | Flywheel |
| 9 | X-42-15 | | Key |
| 10 | 12 468 03 | | Washer, plain 3/8 |
| 11 | 12 086 14 | | Screw, hex. flange M10x1.5x46 |
| 12 | 12 157 03 | | Fan |
| 13 | 24 162 03 | | Screen, grass |
| 14 | 12 112 01 | 4 | Spacer, fan |
| 15 | M-0639016 | 4 | Screw, hex. flange M6x1.0x16 |
| 16 | M-0639016 | 2 | Screw, hex. flange M6x1.0x16 |
| 17 | X-22-11 | | Washer, lock 1/4" |
| 18 | 41 403 09 | | Rectifier-regulator |

| Ref. No. | Part No. | Qty. | Description |
|----------|-----------|------|--|
| 19 | 236602 | | Connector |
| 20 | 48 155 01 | | Connector |
| | 25 518 29 | | NOT ILLUSTRATED Lead, black (6" – 18 gauge – insulated grip barrel eyelet terminals) |
| | 12 518 01 | | Lead, white, ground to kill (19" – 18 gauge– insulated push on tab, uninsulated push on tab terminals) |
| | 25 518 05 | | Lead, black, rectifier-regulator (5" – 14 gauge – uninsulated push on tab terminals) |
| | 24 126 71 | | Bracket, stator wire |

Kohler Engine CH12.5PS-1935
Obtain Parts From Kohler

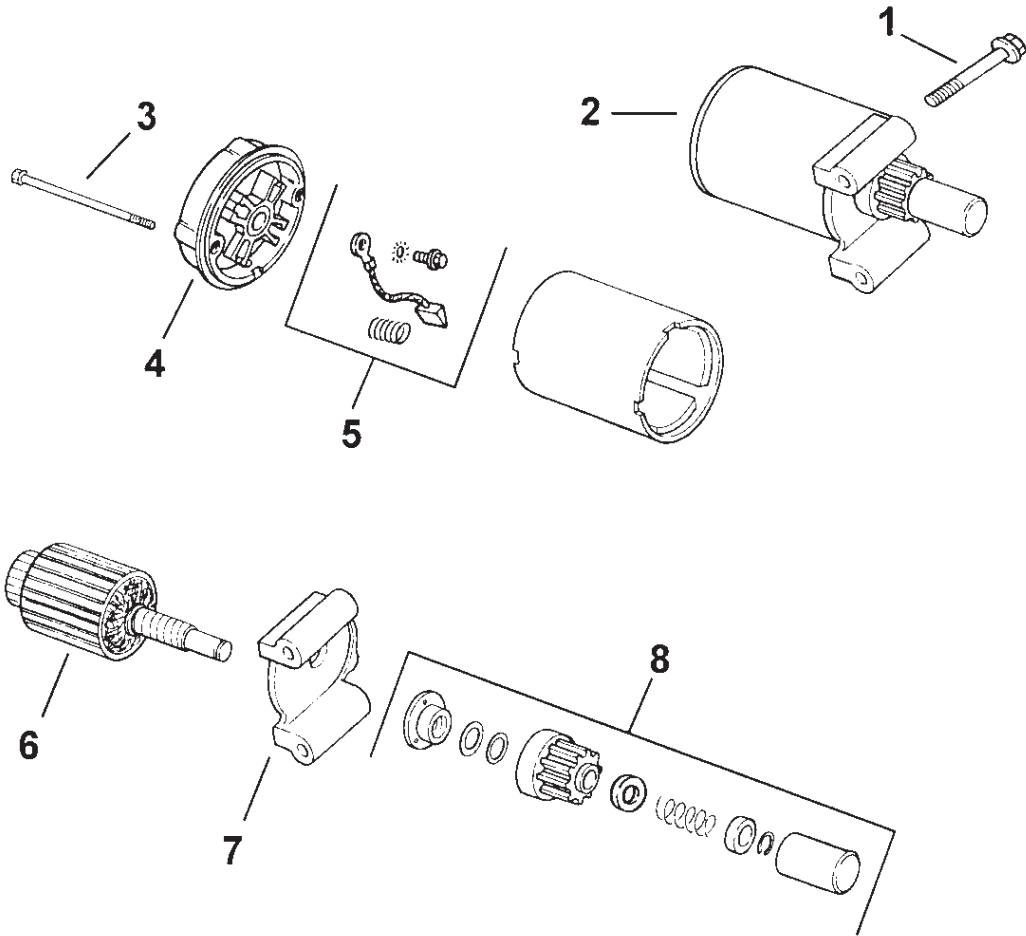


Blower Housing And Baffles (Model 73429 Only)

| Ref. No. | Part No. | Qty. | Description |
|----------|-----------|------|-------------------------------------|
| 1 | M-0545010 | 14 | Screw, hex. flange M5x0.8x10 |
| 2 | 12 063 08 | | Baffle, cylinder head |
| 3 | 12 063 05 | | Baffle, intake side |
| 4 | 12 027 39 | | Housing, blower |
| 5 | 12 146 07 | | Plate, blower housing |
| 6 | 12 063 01 | | Baffle, cylinder barrel |
| 7 | 12 313 03 | | Grommet, blower housing |
| | 12 113 30 | | Not Illustrated Decal, HP |

| Ref. No. | Part No. | Qty. | Description |
|----------|----------|------|-------------|
| | | | |

Kohler Engine CH12.5PS-1935
 Obtain Parts From Kohler

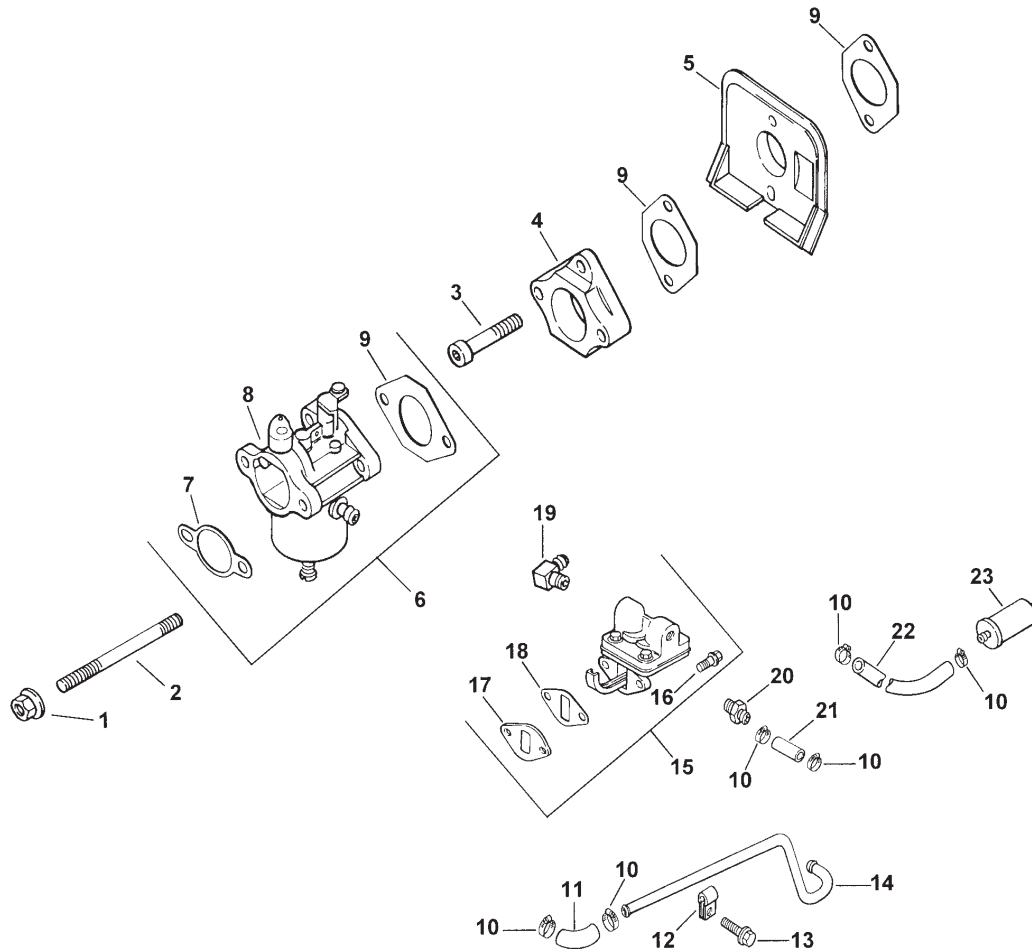


Starter (Model 73429 Only)

| Ref. No. | Part No. | Qty. | Description |
|----------|------------|------|------------------------------------|
| 1 | M-0839070D | 2 | Screw, hex. flange M8x1.25x70 |
| 2 | 12 098 12 | | Starter assembly (Includes 3-8) |
| 3 | 12 086 25 | 2 | Screw, hex. flange 1/4-20x4-5/8 |
| 4 | 12 227 10 | | Cap, commutator end |
| 5 | 82 755 28 | | Kit, brush & spring |
| 6 | 45 170 03 | | Armature |
| 7 | 12 227 05 | | Cap, drive end |
| 8 | 12 755 53 | | Kit, drive |

| Ref. No. | Part No. | Qty. | Description |
|----------|----------|------|-------------|
| | | | |
| | | | |
| | | | |
| | | | |
| | | | |
| | | | |
| | | | |
| | | | |
| | | | |
| | | | |

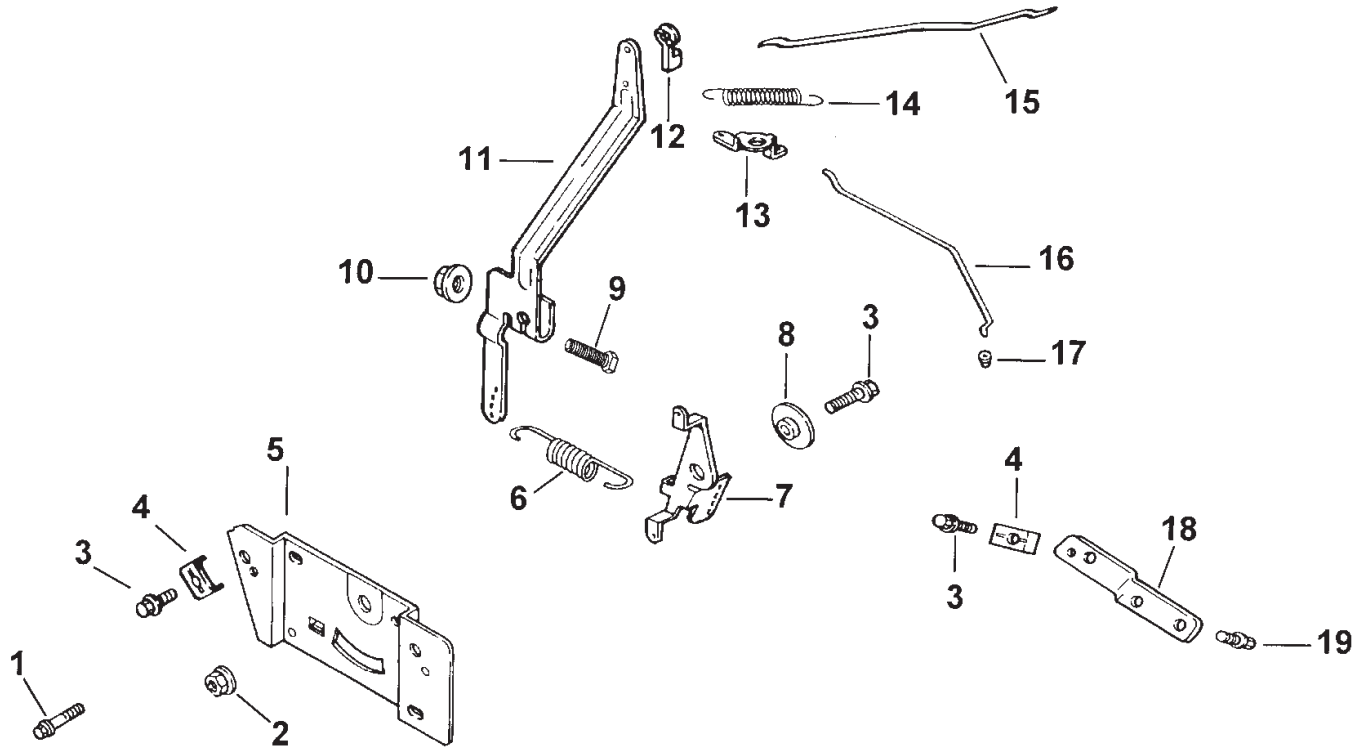
Kohler Engine CH12.5PS-1935
Obtain Parts From Kohler



Carburetor And Fuel Pump (Model 73429 Only)

| Ref. No. | Part No. | Qty. | Description | Ref. No. | Part No. | Qty. | Description |
|----------|-----------|------|---|----------|-----------|------|--------------------------------|
| 1 | M-0641060 | 2 | Nut, hex. flange M6x1.0 | 20 | X-380-1 | | Connector, straight hose |
| 2 | M-0629085 | 2 | Stud M6x1.0x85 | 21 | 12 353 01 | | Line, fuel 1-1/4" |
| 3 | M-0644035 | 2 | Screw, hex. socket cap M6x1.0x35 | 22 | 25 353 02 | | Line, fuel 3" |
| 4 | 12 029 04 | | Adapter, carburetor | 23 | 25 050 02 | | Filter, fuel |
| 5 | 12 265 04 | | Deflector, heat | | 12 368 05 | | NOT ILLUSTRATED |
| 6 | 12 853 60 | 1 | Kit, carburetor w/gaskets (Incl. 7-90) | | 12 089 09 | 2 | Needle, idle fuel adjusting |
| 7 | 12 041 02 | | Gasket, air cleaner | | 12 086 04 | | Spring, idle adjusting |
| 8 | 12 053 60 | | Carburetor assembly (For information only not available separately) (Service with parts listed under "Not Illustrated") | | 12 146 03 | | Screw, idle speed adjusting |
| 9 | 12 041 01 | 3 | Gasket, carburetor | | 12 146 03 | | Plate, throttle |
| 10 | X-426-9 | 6 | Clamp, hose | | 25 086 27 | 2 | Screw, throttle plate |
| 11 | 12 353 07 | | Line fuel | | 12 144 09 | | Shaft, throttle w/lever & seal |
| 12 | 12 154 01 | | Clip, tube | | 12 337 04 | | Jet, main |
| 13 | M-0545010 | | Screw, hex. flange M5x0.8x10 | | 12 757 08 | | Kit, choke repair |
| 14 | 12 353 11 | | Line, fuel - metal | | 12 146 12 | | Plate, choke |
| 15 | 12 559 01 | | Kit, fuel pump (Includes 16-18) | | 12 173 06 | | Cap, choke lever |
| 16 | M-0645020 | 2 | Screw, hex. flange M6x1.0x20 | | 25 086 27 | 2 | Screw, choke plate |
| 17 | 12 112 05 | | Spacer | | 12 757 02 | | Kit, float |
| 18 | 25 041 09 | 2 | Gasket, fuel pump | | 12 041 05 | | Gasket, bowl |
| 19 | 25 155 02 | | Connector, 90_ hose | | 12 104 01 | | Bowl, fuel |
| | | | | | 12 086 05 | | Screw, fuel bowl retainer |
| | | | | | 12 041 06 | | Gasket, bowl retainer screw |
| | | | | | 12 757 03 | | Kit, carburetor repair |

Kohler Engine CH12.5PS-1935
Obtain Parts From Kohler

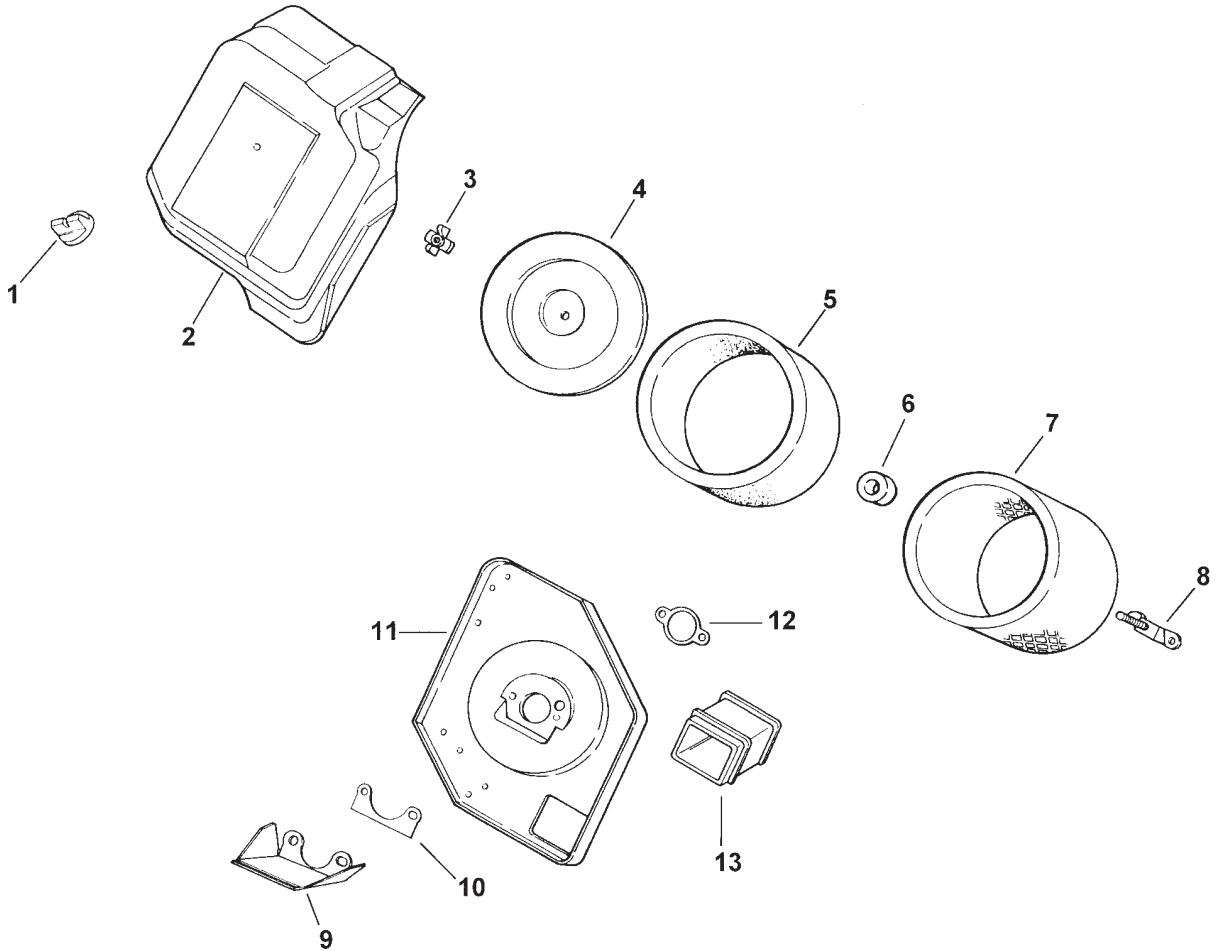


Engine Controls (Model 73429 Only)

| Ref. No. | Part No. | Qty. | Description |
|----------|------------|------|----------------------------------|
| 1 | M-0664020 | 2 | Screw, lobed socket M6x1.0x20 |
| 2 | M-0541050 | | Nut, hex. flange M5x0.8 |
| 3 | M-0545016 | 4 | Screw, hex. flange M5x0.8x16 |
| 4 | 12 237 01 | 3 | Clamp, cable |
| 5 | 12 146 05 | | Plate, control |
| 6 | 12 089 17 | | Spring, governor |
| 7 | 12 090 13 | | Lever, throttle control |
| 8 | 12 112 07 | | Spacer, throttle control |
| 9 | SM-0642025 | | Screw, hex. flange M6x1.0x25 |
| 10 | M-0641060 | | Nut, hex. flange M6x1.0 |
| 11 | 12 090 19 | | Lever, governor |
| 12 | 25 158 11 | | Bushing, throttle |
| 13 | 12 090 14 | | Lever, choke - upper |
| 14 | 230117 | 2 | Spring, linkage |
| 15 | 12 079 04 | | Linkage, throttle |
| 16 | 12 079 08 | | Linkage, choke - upper |
| 17 | 25 158 08 | | Bushing, linkage |
| 18 | 12 126 15 | | Bracket, choke mount |
| 19 | M-0545010 | | Screw, hex. flange M5x0.8x10 |

| Ref. No. | Part No. | Qty. | Description |
|----------|----------|------|-------------|
| | | | |

Kohler Engine CH12.5PS-1935
Obtain Parts From Kohler

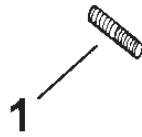


Air Intake / Filtration (Model 73429 Only)

| Ref. No. | Part No. | Qty. | Description |
|----------|-----------|------|--|
| 1 | 25 341 03 | | Knob, cover |
| 2 | 12 096 15 | | Cover, air cleaner |
| 3 | 12 100 01 | | Wing Nut |
| 4 | 12 096 35 | | Cover, air cleaner element with deflector |
| 5 | 52 083 01 | | Precleaner, element |
| 6 | 24 032 03 | | Seal, insert |
| 7 | 47 083 01 | | Element, air cleaner |
| 8 | 12 126 47 | | Bracket, air cleaner |
| 9 | 12 146 14 | | Plate, air cleaner |
| 10 | 12 041 09 | | Gasket, collector plate |
| 11 | 12 094 06 | | Base, air cleaner |
| 12 | 12 041 02 | | Gasket, air cleaner |
| 13 | 12 123 07 | | Tube, air intake |
| | 12 113 04 | | Not Illustrated Decal, air cleaner |

| Ref. No. | Part No. | Qty. | Description |
|----------|----------|------|-------------|
| | | | |
| | | | |
| | | | |
| | | | |

Kohler Engine CH12.5PS-1935
Obtain Parts From Kohler

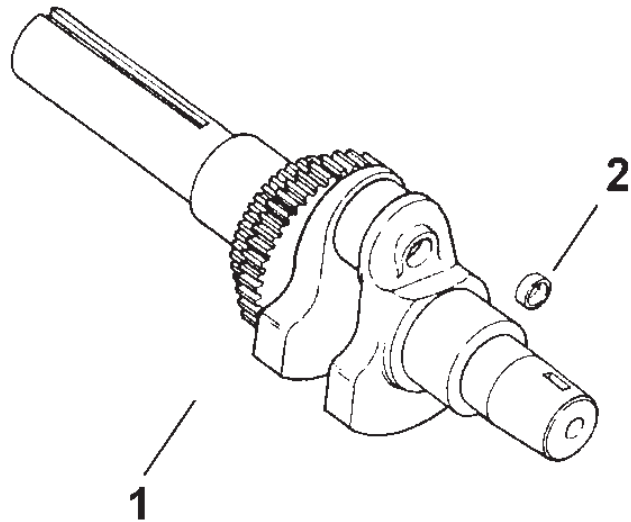


Exhaust (Model 73429 Only)

| Ref. No. | Part No. | Qty. | Description |
|----------|------------------------|------|-------------------------------|
| 1 | 25 072 04 12 755 82 | 2 | Stud M8x1.25x33 Gasket Set |

| Ref. No. | Part No. | Qty. | Description |
|----------|----------|------|-------------|
| | | | |

Kohler Engine CH12.5PS-1935
Obtain Parts From Kohler

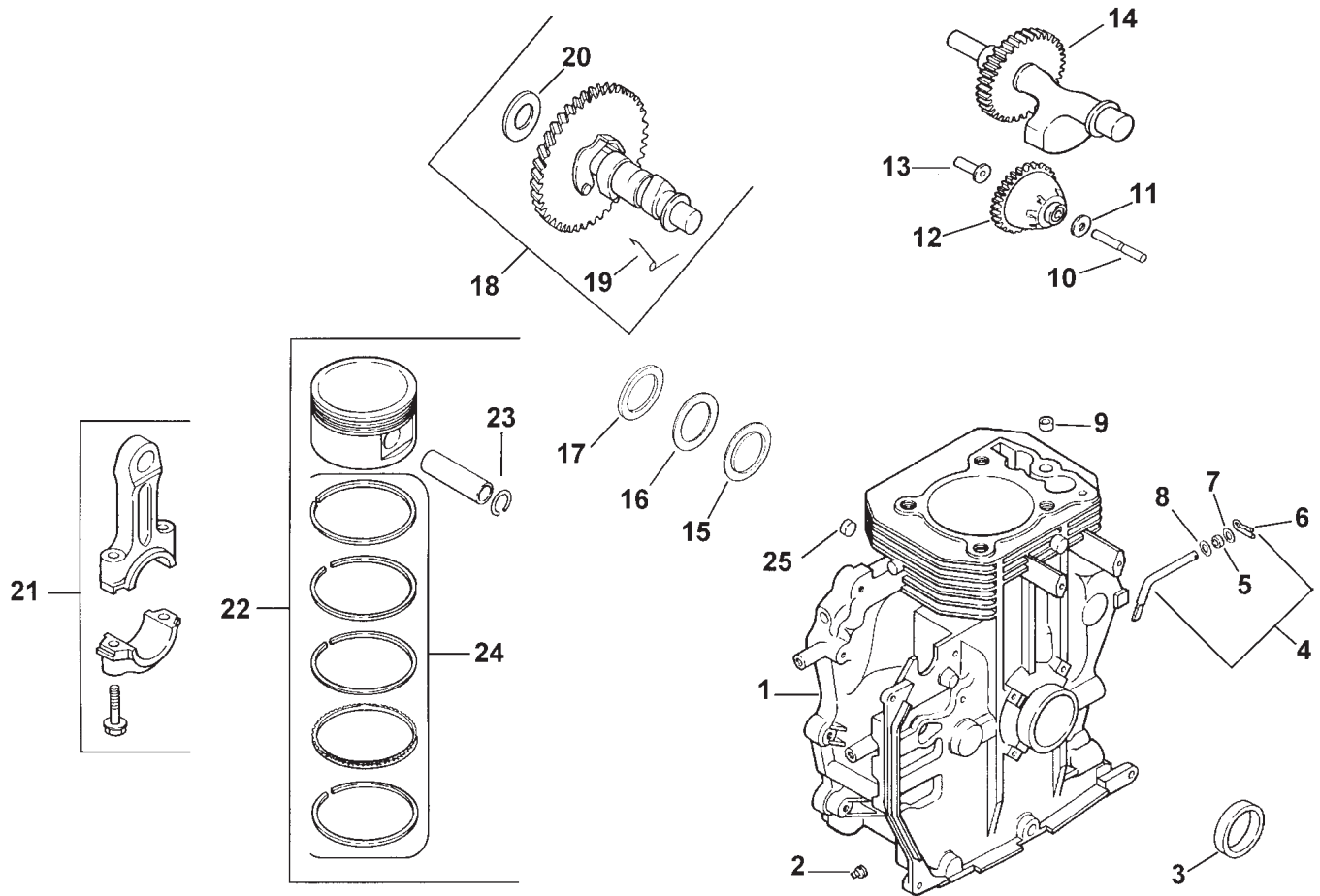


Crankshaft (Model 73449 Only)

| Ref. No. | Part No. | Qty. | Description |
|----------|-----------|------|------------------------|
| 1 | 12 014 48 | 2 | Crankshaft (Incl. # 2) |
| 2 | 12 139 01 | 2 | Plug, cup |

| Ref. No. | Part No. | Qty. | Description |
|----------|----------|------|-------------|
| | | | |

Kohler Engine CH14PS 1838
 Obtain Parts From Kohler

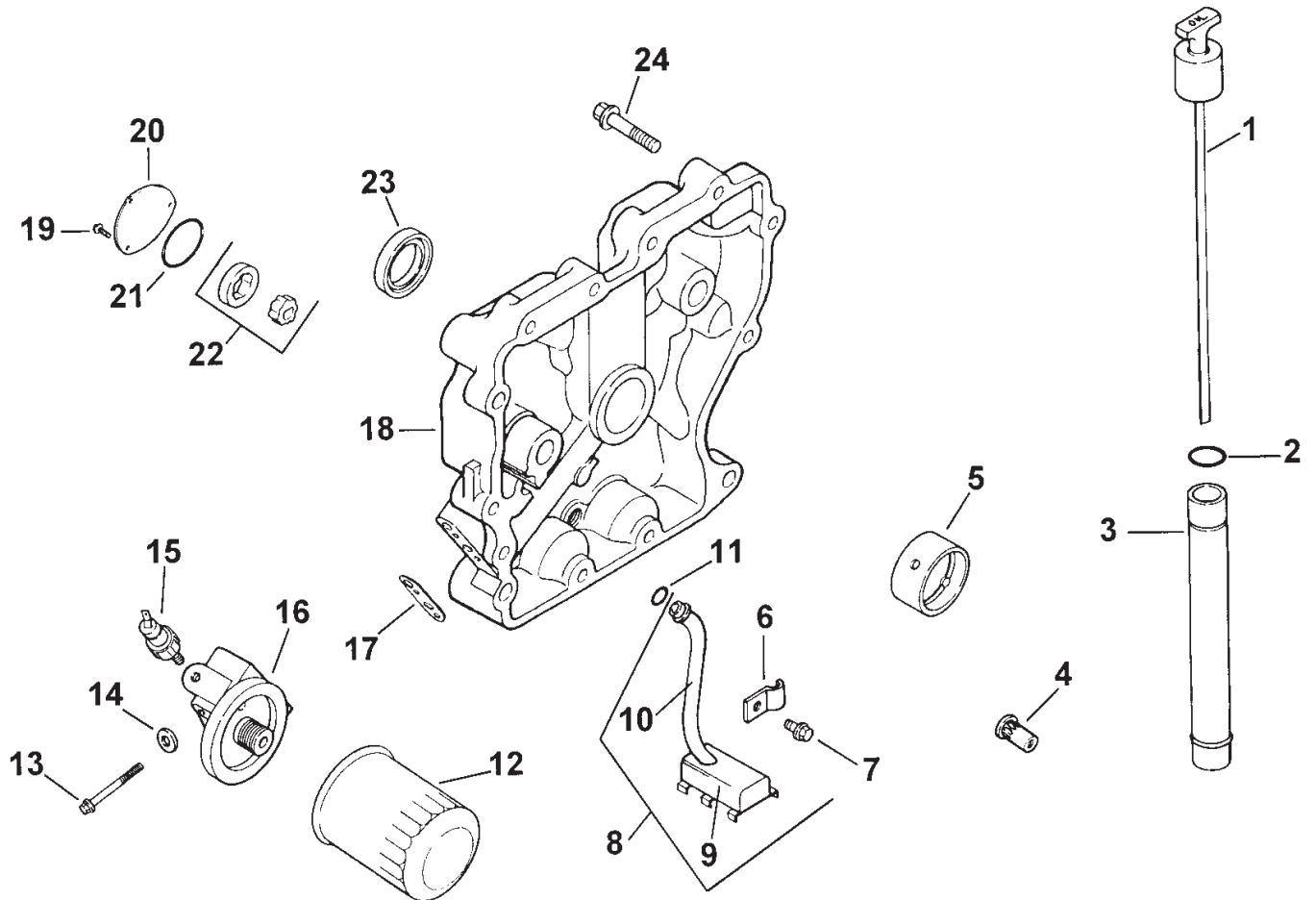


Crankcase (Model 73449 Only)

| Ref. No. | Part No. | Qty. | Description |
|----------|-----------|------|---|
| 1 | | 1 | Short Block |
| 2 | X-75-10 | 2 | Plug, solid sq. hd. 3/8 |
| 3 | 12 032 03 | | Seal, crankshaft |
| 4 | 12 755 64 | 6 | Kit, governor cross shaft (Includes # 6) |
| 5 | 12 032 01 | | Seal, governor cross shaft |
| 6 | 12 154 05 | | Clip, hitch pin |
| 7 | X-25-102 | | Washer, plain 1/4 |
| 8 | M-0631015 | | Washer, plain 6 mm |
| 9 | 12 380 17 | 4 | Dowel, locating |
| 10 | 12 144 02 | | Shaft, governor gear |
| 11 | M-0631005 | | Washer, plain 6 mm |
| 12 | 12 043 05 | | Gear, governor |
| 13 | 12 380 01 | | Pin, governor regulating |
| 14 | 12 144 26 | | Shaft, balance |
| 15 | 24 030 08 | | Bearing, thrust |
| 16 | 52 114 04 | | Washer, thrust |
| 17 | 24 422 04 | | Shim, thrust |
| 18 | 12 755 50 | | Kit, camshaft (Includes |
| 19 | 12 089 31 | | Spring, actuating |
| 20 | 12 422 08 | | Shim, camshaft (A.R.) blue |

| Ref. No. | Part No. | Qty. | Description |
|----------|-----------|------|---|
| | 12 422 09 | | Shim, camshaft (A.R.) red |
| | 12 422 10 | | Shim, camshaft (A.R.) yellow |
| | 12 422 11 | | Shim, camshaft (A.R.) green |
| | 12 422 12 | | Shim, camshaft (A.R.) gray |
| | 12 422 13 | | Shim, camshaft (A.R.) black |
| | 12 422 07 | | Shim, camshaft (A.R.) white |
| 21 | 12 067 05 | 1 | Connecting Rod (Std.) |
| | 12 067 06 | | Connecting Rod (.25) |
| 22 | 12 874 01 | | Piston w/Ring Set (Std.) (Includes 23,24) |
| | 12 874 02 | | Piston w/Ring Set (.25) |
| | 12 874 03 | | Piston w/Ring Set (.50) |
| 23 | 12 018 02 | | Retainer, piston pin |
| 24 | 12 108 01 | | Ring Set (Std.) |
| | 12 108 02 | | Ring Set (.25) |
| | 12 108 03 | | Ring Set (.50) |
| 25 | 52 139 09 | | Plug, cup |

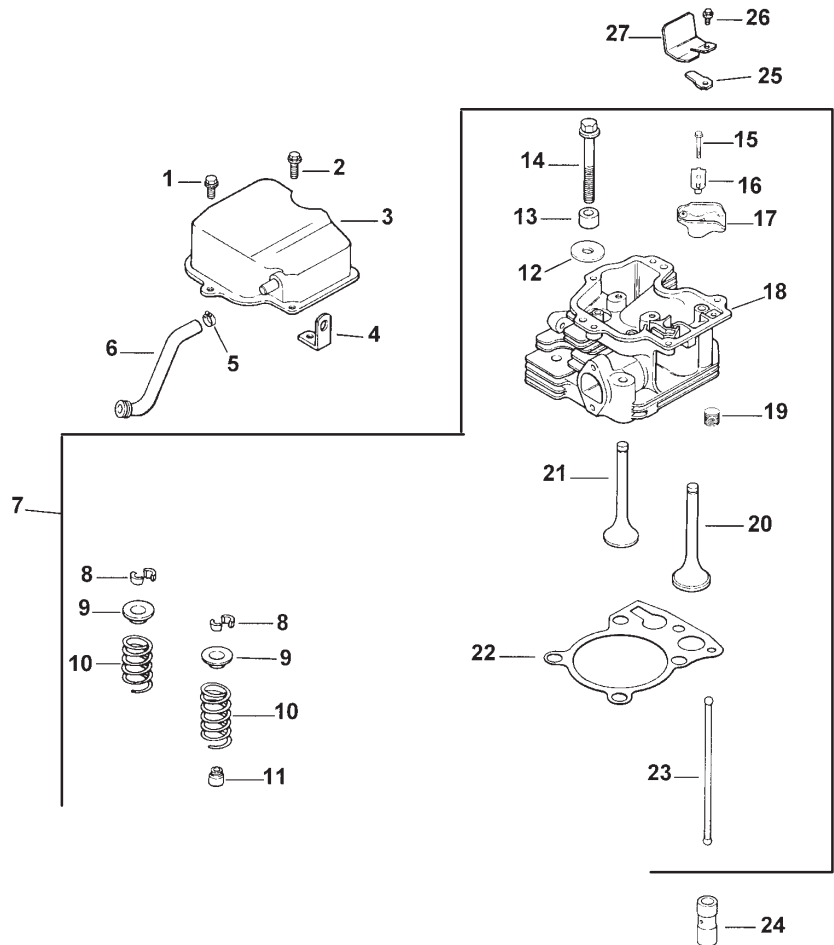
Kohler Engine CH14PS-1838
Obtain Parts From Kohler



Oil Pan / Lubrication (Model 73449 Only)

| Ref. No. | Part No. | Qty. | Description | Ref. No. | Part No. | Qty. | Description |
|----------|-----------|------|--|----------|-----------|------|---|
| 1 | 47 038 26 | | Dipstick | 20 | 12 096 21 | | Cover, oil pump |
| 2 | 41 153 01 | | O-Ring, oil fill tube | 21 | 12 153 05 | | O-Ring, oil pump cover |
| 3 | 24 123 11 | | Tube, oil fill | 22 | 12 393 01 | | Pump, oil |
| 4 | 25 462 09 | | Valve, oil pressure relief | 23 | 12 032 03 | | Seal, oil (P.T.O. end) |
| 5 | 12 030 05 | | Bearing, crankshaft | 24 | 24 086 16 | 11 | Screw, hex. flange M8x1.25x45 |
| 6 | 52 154 01 | | Clip | 24 | 24 086 17 | | Screw, hex. flange M8x1.25x45 |
| 7 | M-0545016 | | Screw ,hex.flange M5x0.8x16 | 25 | 113 05 | | Not Illustrated Decal, oil sentry |
| 8 | 12 755 73 | | Kit, oil pick-up (Includes 9,10) | | | | |
| 9 | 25 381 01 | | Pick-up, oil screen | | | | |
| 10 | 12 123 21 | | Tubing, oil pick-up | | | | |
| 11 | 12 153 04 | | O-Ring, oil pick-up | | | | |
| 12 | 52 050 02 | | Filter, oil | | | | |
| 13 | M-0651060 | 2 | Screw, hex. flange M6x1.0x60 | | | | |
| 14 | X-25-12 | 2 | Washer, plain 1/4 | | | | |
| 15 | 25 029 24 | | Switch, oil pressure | | | | |
| 16 | 12 029 01 | | Adapter, oil filter | | | | |
| 17 | 12 041 07 | | Gasket, oil filter adapter | | | | |
| 18 | 1200936 | | Plate, closure Asm (Includes 4,5,19-22) | | | | |
| 19 | M-0545016 | 3 | Screw, hex. flange M5x0.8x16 | | | | |

Kohler Engine CH14-1838
Obtain Parts From Kohler

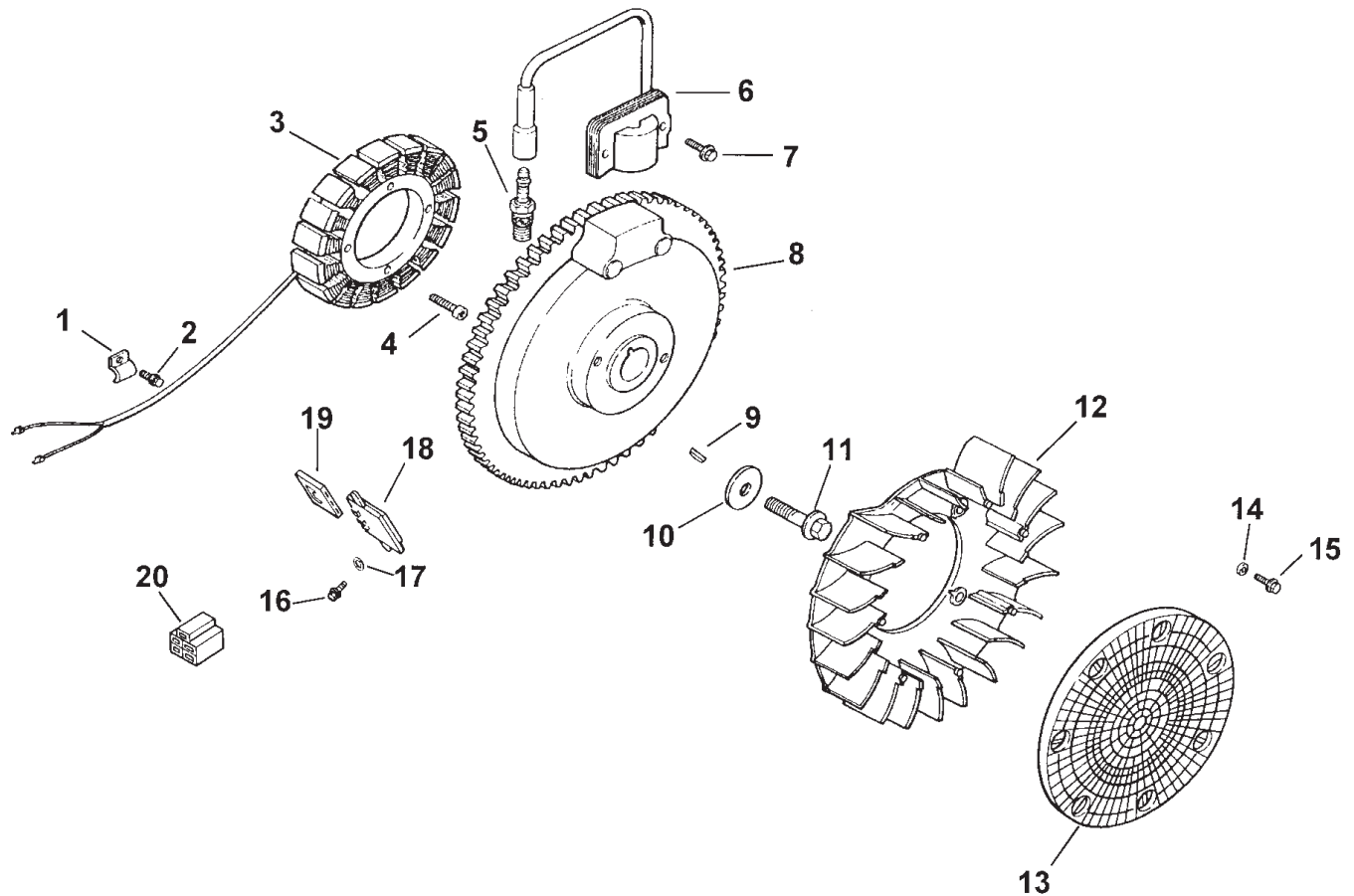


Cylinder Head / Valve And Breather (Model 73449 Only)

| Ref. No. | Part No. | Qty. | Description |
|----------|-----------|------|---|
| 1 | M-0645020 | 4 | Screw, hex. flange M6x1.0x20 |
| 2 | M-0645025 | | Screw, hex. flange M6x1.0x25 |
| 3 | 12 096 07 | | Cover, valve w/nipple |
| 4 | 12 445 05 | | Strap, lifting (PTO side) |
| 5 | X-426-9 | | Clamp, hose |
| 6 | 12 326 09 | | Hose, breather |
| 7 | 12 041 01 | | Kit, cylinder head (Includes 8-23, carburetor gasket , air cleaner, base gasket, & exhaust manifold gasket) |
| | 12 041 02 | 2 | |
| | 12 041 03 | | |
| | 12 755 81 | | |
| 8 | 12 755 03 | 2 | Kit, retainer |
| 9 | 12 173 01 | 2 | Cap, valve spring |
| 10 | 12 089 01 | 2 | Spring, valve |
| 11 | 24 032 05 | 2 | Seal, valve stem |
| 12 | 12 468 05 | | Washer, plain 13/32 |
| 13 | 12 112 13 | | Spacer, head bolt exhaust port |
| 14 | 12 086 15 | 5 | Screw, hex. flange M10x1.5x81 |
| 15 | M-0640034 | 2 | Screw, hex. flange M6x1.0x34 |

| Ref. No. | Part No. | Qty. | Description |
|----------|-----------|------|------------------------------|
| 16 | 12 599 03 | 2 | Pivot, rocker arm |
| 17 | 25 186 01 | 2 | Arm, rocker |
| 18 | 12 318 19 | | Head, cylinder |
| 19 | X-75-23 | | Plug, allen hd. 1/8 pipe |
| 20 | 12 017 01 | | Valve, intake (Std.) |
| 21 | 12 016 01 | | Valve, exhaust (Std.) |
| 22 | 12 041 08 | | Gasket, cylinder head |
| 23 | 12 411 01 | 2 | Rod, push |
| 24 | 12 351 02 | 2 | Lifter, valve |
| 25 | 12 402 02 | | Reed, breather |
| 26 | M-0545010 | | Screw, hex. flange M5x0.8x10 |
| 27 | 12 018 03 | | Retainer, breather reed |
| | 12 017 02 | | Valve, intake (.25) |
| | 12 016 02 | | Valve, exhaust (.25) |

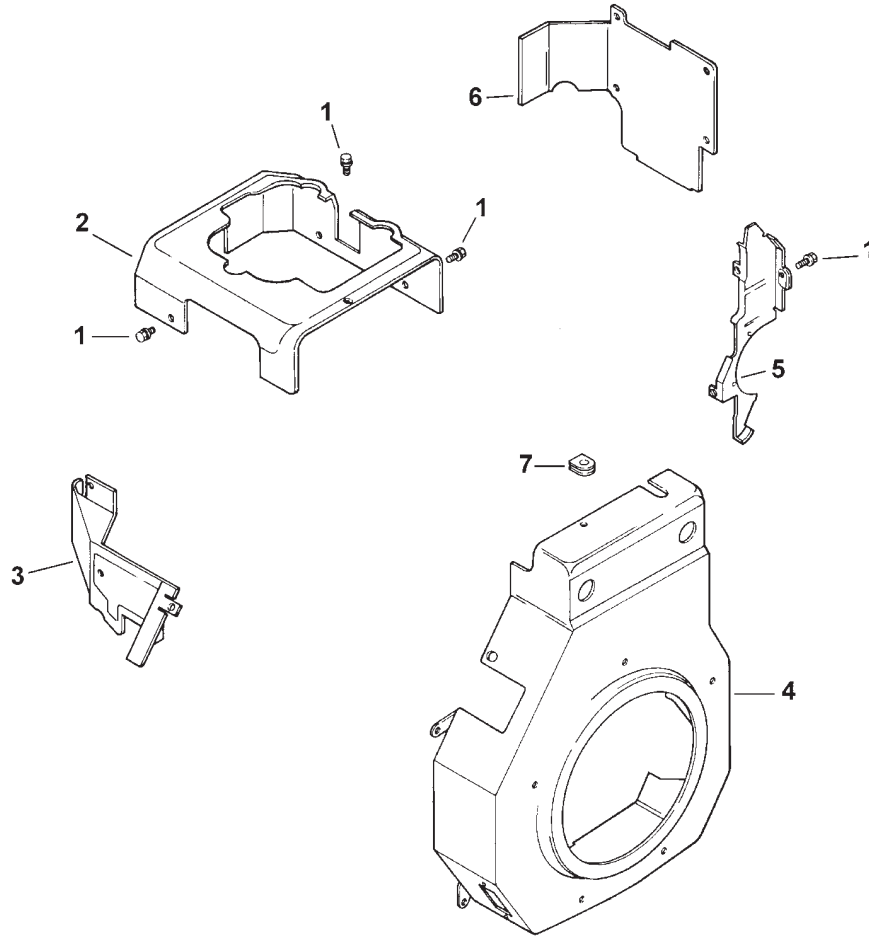
Kohler Engine CH14PS-1838
 Obtain Parts From Kohler



Ignition / Electrical (Model 73449 Only)

| Ref. No. | Part No. | Qty. | Description | Ref. No. | Part No. | Qty. | Description |
|----------|-----------|------|--|----------|-----------|------|---|
| 1 | X-728-1 | 2 | Clip | 19 | 236602 | | Connector |
| 2 | M-0545010 | 2 | Screw, hex. flange M5x0.8x10 | 20 | 48 155 01 | | Connector |
| 3 | 24 126 71 | | Kit, 15 amp stator (Includes Bracket). | | 25 518 29 | | Lead, black (6" – 18 gauge – insulated grip barrel eyelet terminals) |
| 4 | M-0548025 | 2 | Screw, hex. cap M5x0.8x25 | | 12 518 01 | | Lead, white, ground to kill (19" – 18 gauge – insulated push on tab, uninsulated push on tab terminals) |
| 5 | 12 132 02 | | Spark Plug | | 25 518 05 | | Lead, black, rectifier-regulator (5" – 14 gauge – uninsulated push on tab terminals) |
| 6 | 12 584 04 | | Module, ignition | | 24 126 71 | | Bracket, stator wire |
| 7 | M-0545020 | 2 | Screw, hex. flange M5x0.8x20 | | | | |
| 8 | 12 025 15 | | Flywheel | | | | |
| 9 | X-42-15 | | Key | | | | |
| 10 | 12 468 03 | | Washer, plain 3/8 | | | | |
| 11 | 12 086 14 | | Screw, hex. flange M10x1.5x46 | | | | |
| 12 | 12 157 03 | | Fan | | | | |
| 13 | 24 162 03 | | Screen, grass | | | | |
| 14 | 12 112 01 | 4 | Spacer, fan | | | | |
| 15 | M-0639016 | 4 | Screw, hex. flange M6x1.0x16 | | | | |
| 16 | M-0639016 | 2 | Screw, hex. flange M6x1.0x16 | | | | |
| 17 | X-22-11 | | Washer, lock 1/4" | | | | |
| 18 | 41 403 09 | | Rectifier-regulator | | | | |

Kohler Engine CH14PS-1838
Obtain Parts From Kohler

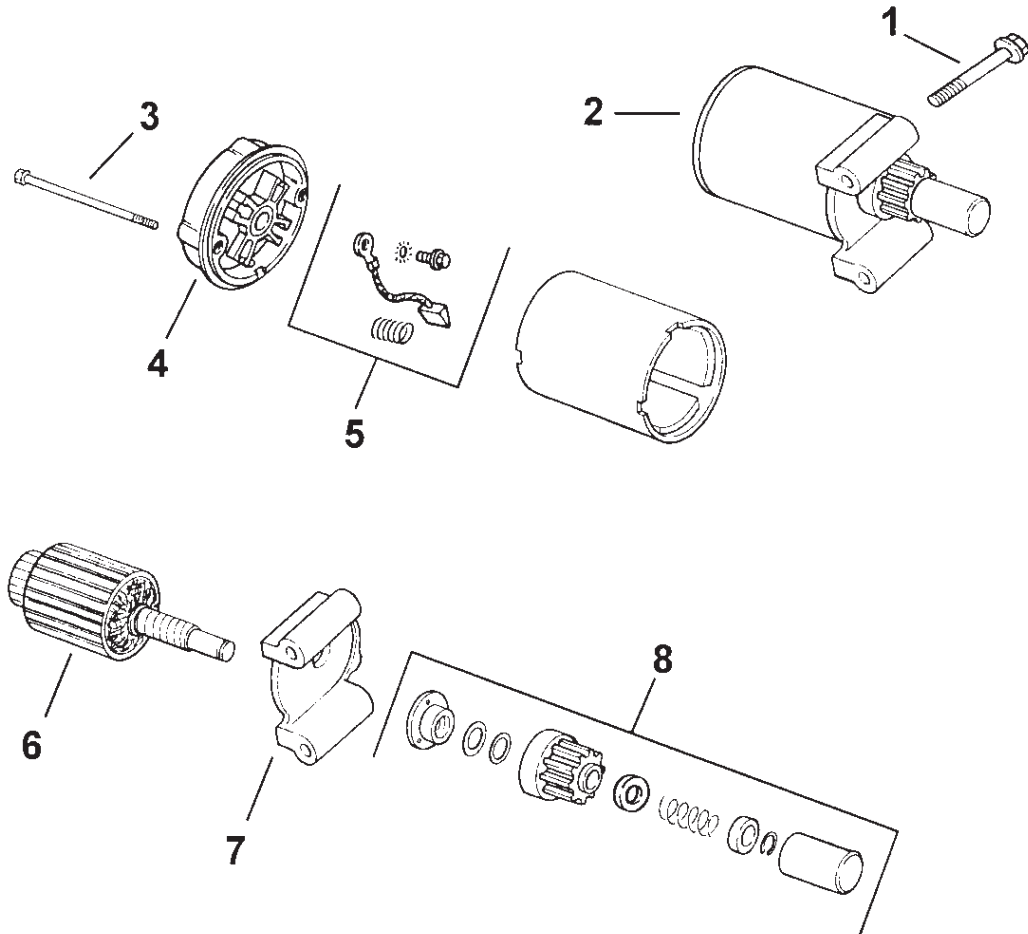


Blower Housing And Baffles (Model 73449 Only)

| Ref. No. | Part No. | Qty. | Description |
|----------|-----------|------|-------------------------------------|
| 1 | M-0545010 | 14 | Screw, hex. flange M5x0.8x10 |
| 2 | 12 063 08 | | Baffle, cylinder head |
| 3 | 12 063 05 | | Baffle, intake side |
| 4 | 12 027 39 | | Housing, blower |
| 5 | 12 146 07 | | Plate, blower housing |
| 6 | 12 063 01 | | Baffle, cylinder barrel |
| 7 | 12 313 03 | | Grommet, blower housing |
| | 12 113 30 | | Not Illustrated Decal, HP |

| Ref. No. | Part No. | Qty. | Description |
|----------|----------|------|-------------|
| | | | |
| | | | |
| | | | |
| | | | |
| | | | |
| | | | |
| | | | |
| | | | |
| | | | |
| | | | |

Kohler Engine CH14PS-1838
Obtain Parts From Kohler

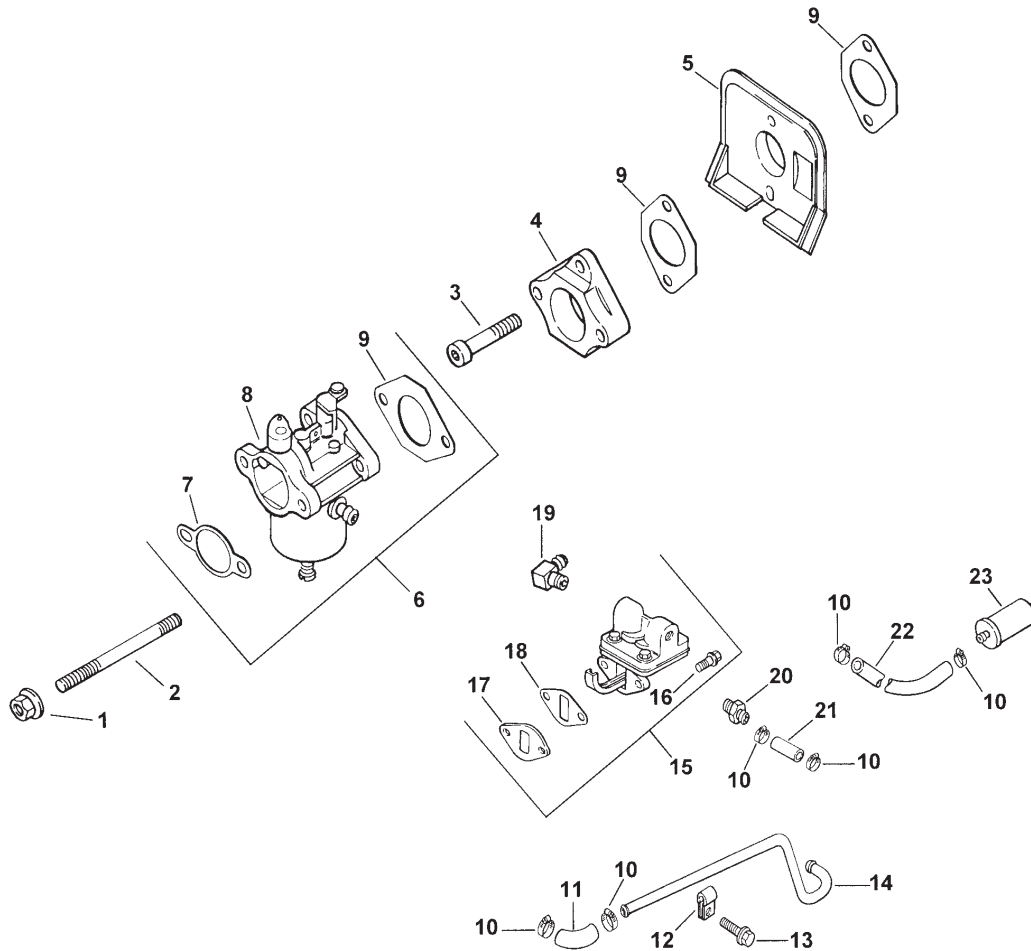


Starter (Model 73449 Only)

| Ref. No. | Part No. | Qty. | Description |
|----------|------------|------|------------------------------------|
| 1 | M-0839070D | 2 | Screw, hex. flange M8x1.25x70 |
| 2 | 12 098 12 | | Starter assembly (Includes 3-8) |
| 3 | 12 086 25 | 2 | Screw, hex. flange 1/4-20x4-5/8 |
| 4 | 12 227 10 | | Cap, commutator end |
| 5 | 82 755 28 | | Kit, brush & spring |
| 6 | 45 170 03 | | Armature |
| 7 | 12 227 05 | | Cap, drive end |
| 8 | 12 755 53 | | Kit, drive |

| Ref. No. | Part No. | Qty. | Description |
|----------|----------|------|-------------|
| | | | |
| | | | |
| | | | |
| | | | |
| | | | |
| | | | |
| | | | |
| | | | |
| | | | |
| | | | |

Kohler Engine CH14PS-1838
Obtain Parts From Kohler

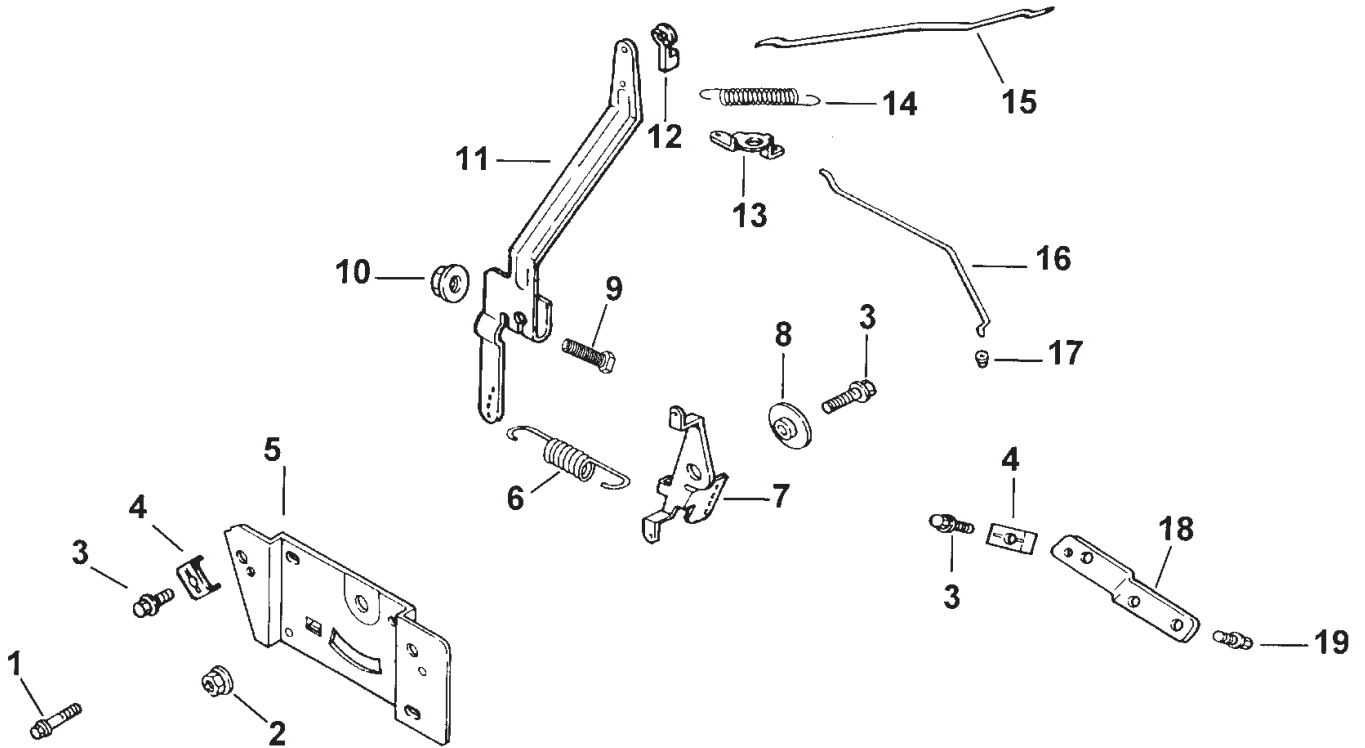


Carburetor And Fuel Pump (Model 73449 Only)

| Ref. No. | Part No. | Qty. | Description |
|----------|-----------|------|---|
| 1 | M-0641060 | 2 | Nut, hex. flange M6x1.0 |
| 2 | M-0629085 | 2 | Stud M6x1.0x85 |
| 3 | M-0644035 | 2 | Screw, hex. socket cap M6x1.0x35 |
| 4 | 12 029 04 | | Adapter, carburetor |
| 5 | 12 265 04 | | Deflector, heat |
| 6 | 12 853 60 | 1 | Kit, carburetor w/gaskets (Incl. 7-90) |
| 7 | 12 041 02 | | Gasket, air cleaner |
| 8 | 12 053 60 | | Carburetor assembly (For information only not available separately) (Service with parts listed under "Not Illustrated") |
| 9 | 12 041 01 | 3 | Gasket, carburetor |
| 10 | X-426-9 | 6 | Clamp, hose |
| 11 | 12 353 07 | | Line fuel |
| 12 | 12 154 01 | | Clip, tube |
| 13 | M-0545010 | | Screw, hex. flange M5x0.8x10 |
| 14 | 12 353 11 | | Line, fuel - metal |
| 15 | 12 559 01 | | Kit, fuel pump (Includes 16-18) |
| 16 | M-0645020 | 2 | Screw, hex. flange M6x1.0x20 |
| 17 | 12 112 05 | | Spacer |
| 18 | 25 041 09 | 2 | Gasket, fuel pump |
| 19 | 25 155 02 | | Connector, 90_ hose |

| Ref. No. | Part No. | Qty. | Description |
|----------|-----------|------|---|
| 20 | X-380-1 | | Connector, straight hose |
| 21 | 12 353 01 | | Line, fuel 1-1/4" |
| 22 | 25 353 02 | | Line, fuel 3" |
| 23 | 25 050 02 | | Filter, fuel |
| | 12 368 05 | | NOT ILLUSTRATED Needle, idle fuel adjusting |
| | 12 089 09 | 2 | Spring, idle adjusting |
| | 12 086 04 | | Screw, idle speed adjusting |
| | 12 146 03 | | Plate, throttle |
| | 25 086 27 | 2 | Screw, throttle plate |
| | 12 144 09 | | Shaft, throttle w/lever & seal |
| | 12 337 04 | | Jet, main |
| | 12 757 08 | | Kit, choke repair |
| | 12 146 12 | | Plate, choke |
| | 12 173 06 | | Cap, choke lever |
| | 25 086 27 | 2 | Screw, choke plate |
| | 12 757 02 | | Kit, float |
| | 12 041 05 | | Gasket, bowl |
| | 12 104 01 | | Bowl, fuel |
| | 12 086 05 | | Screw, fuel bowl retainer |
| | 12 041 06 | | Gasket, bowl retainer screw |
| | 12 757 03 | | Kit, carburetor repair |

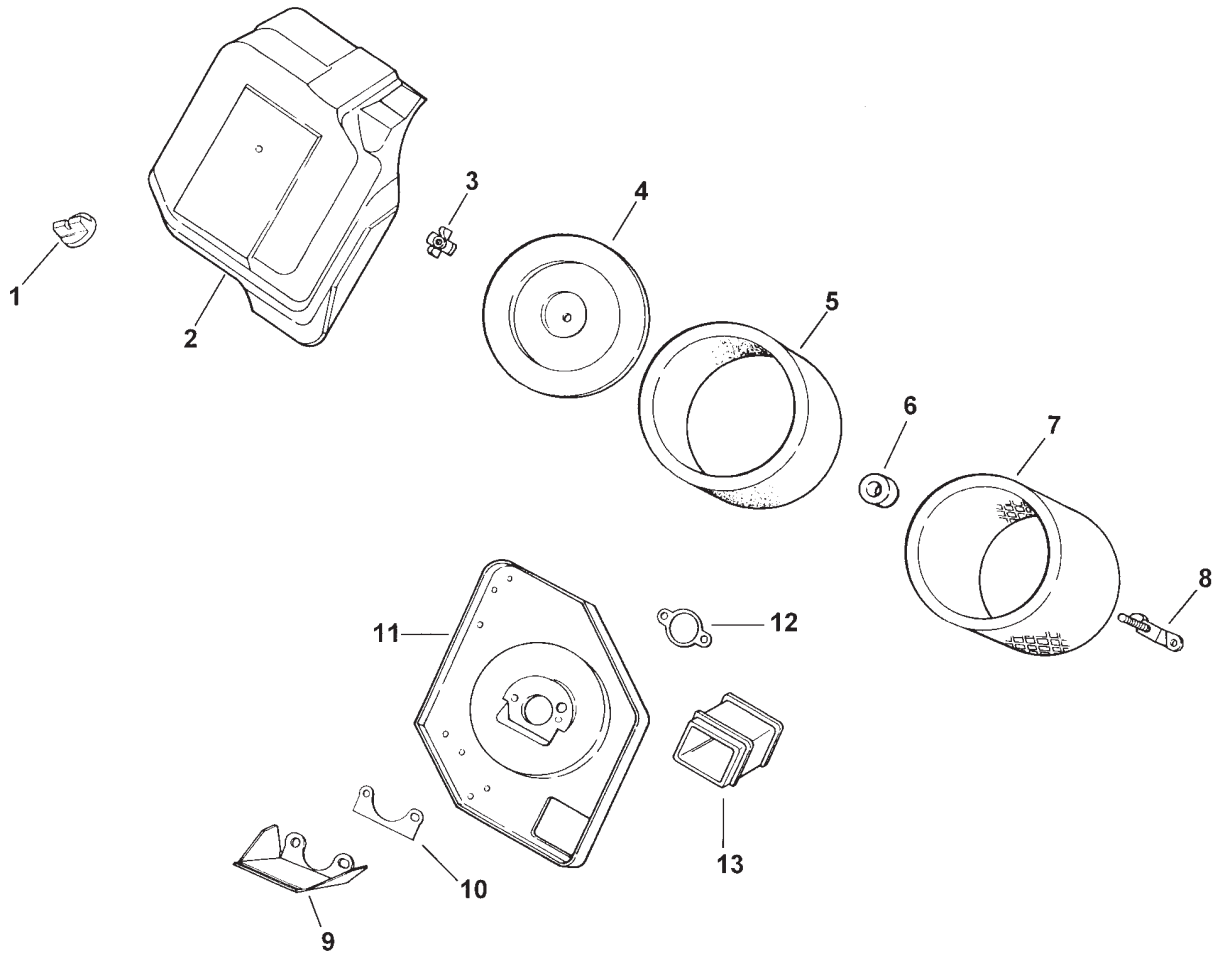
Kohler Engine CH14PS-1838
Obtain Parts From Kohler



Engine Controls (Model 73449 Only)

| Ref. No. | Part No. | Qty. | Description | Ref. No. | Part No. | Qty. | Description |
|----------|------------|------|----------------------------------|----------|----------|------|-------------|
| 1 | M-0664020 | 2 | Screw, lobed socket M6x1.0x20 | | | | |
| 2 | M-0541050 | | Nut, hex. flange M5x0.8 | | | | |
| 3 | M-0545016 | 4 | Screw, hex. flange M5x0.8x16 | | | | |
| 4 | 12 237 01 | 3 | Clamp, cable | | | | |
| 5 | 12 146 05 | | Plate, control | | | | |
| 6 | 12 089 17 | | Spring, governor | | | | |
| 7 | 12 090 13 | | Lever, throttle control | | | | |
| 8 | 12 112 07 | | Spacer, throttle control | | | | |
| 9 | SM-0642025 | | Screw, hex. flange M6x1.0x25 | | | | |
| 10 | M-0641060 | | Nut, hex. flange M6x1.0 | | | | |
| 11 | 12 090 19 | | Lever, governor | | | | |
| 12 | 25 158 11 | | Bushing, throttle | | | | |
| 13 | 12 090 14 | | Lever, choke - upper | | | | |
| 14 | 230117 | 2 | Spring, linkage | | | | |
| 15 | 12 079 04 | | Linkage, throttle | | | | |
| 16 | 12 079 08 | | Linkage, choke - upper | | | | |
| 17 | 25 158 08 | | Bushing, linkage | | | | |
| 18 | 12 126 15 | | Bracket, choke mount | | | | |
| 19 | M-0545010 | | Screw, hex. flange M5x0.8x10 | | | | |

Kohler Engine CH14PS-1838
Obtain Parts From Kohler

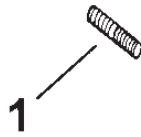


Air Intake / Filtration (Model 73449 Only)

| Ref. No. | Part No. | Qty. | Description |
|----------|-----------|------|--|
| 1 | 25 341 03 | | Knob, cover |
| 2 | 12 096 15 | | Cover, air cleaner |
| 3 | 12 100 01 | | Wing Nut |
| 4 | 12 096 35 | | Cover, air cleaner element with deflector |
| 5 | 52 083 01 | | Precleaner, element |
| 6 | 24 032 03 | | Seal, insert |
| 7 | 47 083 01 | | Element, air cleaner |
| 8 | 12 126 47 | | Bracket, air cleaner |
| 9 | 12 146 14 | | Plate, air cleaner |
| 10 | 12 041 09 | | Gasket, collector plate |
| 11 | 12 094 06 | | Base, air cleaner |
| 12 | 12 041 02 | | Gasket, air cleaner |
| 13 | 12 123 07 | | Tube, air intake |
| | 12 113 04 | | Not Illustrated Decal, air cleaner |

| Ref. No. | Part No. | Qty. | Description |
|----------|----------|------|-------------|
| | | | |

Kohler Engine CH14PS-1838
 Obtain Parts From Kohler



Exhaust (Model 73449 Only)

| Ref. No. | Part No. | Qty. | Description |
|----------|------------------------|------|-------------------------------|
| 1 | 25 072 04 12 755 82 | 2 | Stud M8x1.25x33 Gasket Set |

| Ref. No. | Part No. | Qty. | Description |
|----------|----------|------|-------------|
| | | | |

Kohler Engine CH14PS-1838
Obtain Parts From Kohler

Maintenance Record

| Date | | | | | | | | |
|------|--|--|--|--|--|--|--|--|
| | | | | | | | | |
| | | | | | | | | |
| | | | | | | | | |
| | | | | | | | | |
| | | | | | | | | |
| | | | | | | | | |
| | | | | | | | | |
| | | | | | | | | |
| | | | | | | | | |
| | | | | | | | | |
| | | | | | | | | |
| | | | | | | | | |
| | | | | | | | | |
| | | | | | | | | |
| | | | | | | | | |
| | | | | | | | | |
| | | | | | | | | |
| | | | | | | | | |
| | | | | | | | | |
| | | | | | | | | |
| | | | | | | | | |
| | | | | | | | | |
| | | | | | | | | |
| | | | | | | | | |
| | | | | | | | | |
| | | | | | | | | |
| | | | | | | | | |
| | | | | | | | | |
| | | | | | | | | |
| | | | | | | | | |
| | | | | | | | | |
| | | | | | | | | |
| | | | | | | | | |

Maintenance Record

| Date | | | | | | | | |
|------|--|--|--|--|--|--|--|--|
| | | | | | | | | |
| | | | | | | | | |
| | | | | | | | | |
| | | | | | | | | |
| | | | | | | | | |
| | | | | | | | | |
| | | | | | | | | |
| | | | | | | | | |
| | | | | | | | | |
| | | | | | | | | |
| | | | | | | | | |
| | | | | | | | | |
| | | | | | | | | |
| | | | | | | | | |
| | | | | | | | | |
| | | | | | | | | |
| | | | | | | | | |
| | | | | | | | | |
| | | | | | | | | |
| | | | | | | | | |
| | | | | | | | | |

